

NOTICE

- * Please make sure that you have all parts indicated and they are in good condition before you begin assembly of this item. Refer to part list and hardware list below for guidance.
- * This item should be assembled on a soft surface to prevent scratching the finished goods during assembly.
- * This item may require periodic tightening.
- * If you are having difficulty, our friendly Customer Care team is always here to help. Please email customersupport@safavieh.com

PREPARATION

- * Before beginning assembly of product, make sure all parts are present. Compare parts with part contents list and hardware contents list.
- * If any part is missing or damaged, do not attempt to assemble the product.
- * Estimated Assembly Time: 30 minutes.
- * Tools Required for Assembly : Allen key (included) & Phillips head screwdriver (not included)

CARE AND MAINTENANCE

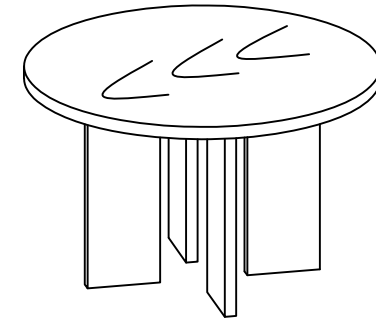
WOOD CARE: Adhesive felt pads should always be applied to areas of furniture which make direct contact with flooring, said application will prevent damage to the furniture and or surfaces on which the furniture lies. Objects placed on articles of furniture should rest on non abrasive material as to prevent damage to the wood finish. Wipe up spills immediately and avoid common hazards such as hot dishes, harsh solvents and abrasives. Cleaning should be done with a soft lint free cotton cloth dampened with water or furniture polish.

SAFAVIEH

C O U T U R E

Model# SFV2135

Product Dimensions: 47.75"W x 47.75"D x 30"H



Weight capacity: 50 lbs
Warning : Do not stand on product
Warning : Do not over torque bolts

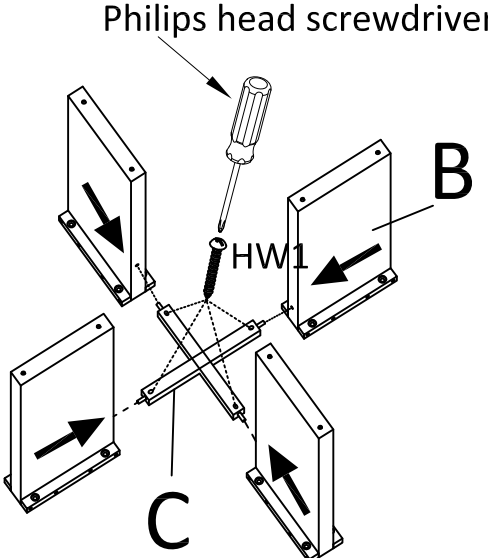
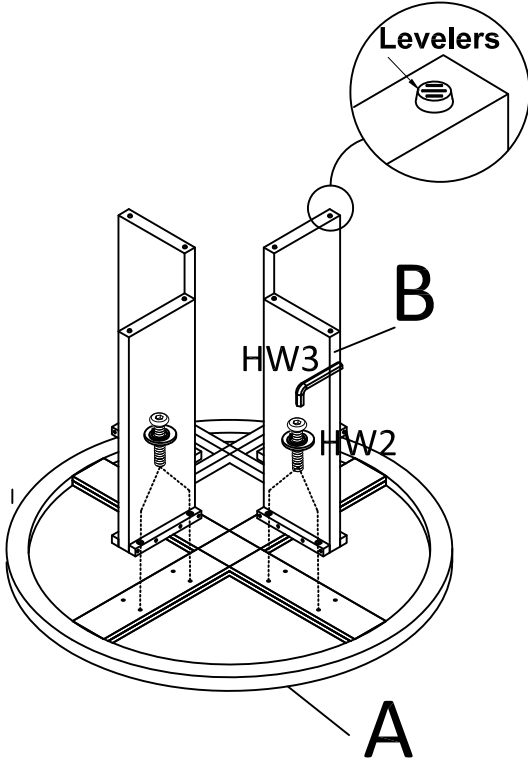
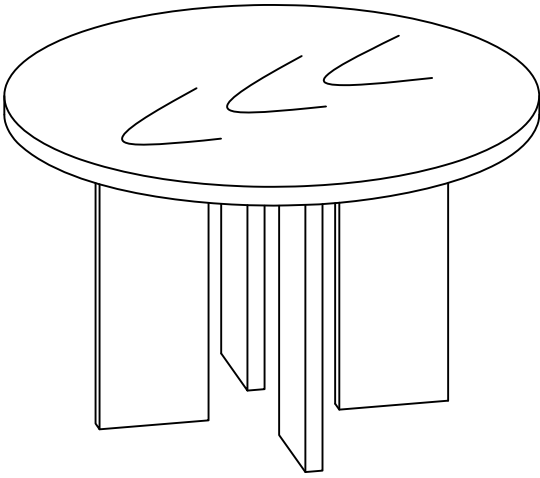
Part List and Hardware List

| PIECE | DESCRIPTION | PICTURE | QTY |
|-------|-------------|---------|-----|
| A | Table Top | | 1x |
| B | Panel Leg | | 4x |
| C | Stretcher | | 1x |

| PIECE | DESCRIPTION | PICTURE | QTY |
|-------|-----------------|-------------------------------------|-----|
| HW1 | Wood Screw | $\phi 8 \times 35\text{mm}$ | 4x |
| HW2 | Hex Socket Bolt | $1/4\text{"}-20 \times 1.5\text{"}$ | 16x |
| HW3 | Allen Key | 4mm | 1x |

PREPARATION

- * Before beginning assembly of product, make sure all parts are present. Compare parts with part contents list and hardware contents list.
- * If any part is missing or damaged, do not attempt to assemble the product.
- * Estimated Assembly Time: 30 minutes.
- * Tools Required for Assembly (included): Allen key & Phillips head screwdriver (not included)
- * If you are having difficulty, our friendly Customer Care team is always here to help. Please email customersupport@safavieh.com

| | | |
|--|--|---|
| <p>1</p>  <p>Philips head screwdriver</p> <p>B</p> <p>C</p> <p>HW1</p> <ul style="list-style-type: none">• Do not fully tighten the bolts until the product is assembled. | <p>2</p>  <p>Levelers</p> <p>B</p> <p>HW3</p> <p>HW2</p> <p>A</p> | <p>3</p>  <ul style="list-style-type: none">• After properly adjusting the levelers, make sure all bolts are fully tightened. |
| <p>Step 1</p> <p>Place 4*Panel leg (B) stand upside down (side with screw hole facing inward), then place the Stretcher (C) in the center between 4*Panel legs (B), Assemble the Stretcher (C) with 4*Panel legs (B), By using a Phillips head screwdriver (not included) to lock with 4*Wood Screws (HW1).</p> | <p>Step 2</p> <p>Place the assembled leg (Step 1) on the underneath of the Table Top (A), then align all screw holes, Use 16*Hex Socket Bolts (HW2) to lock by using Allen Key (HW3).</p> | <p>Step 3</p> <p>Turn the assembled table upright. Use the levelers to adjust the table if needed. Assembly is now complete.</p> |