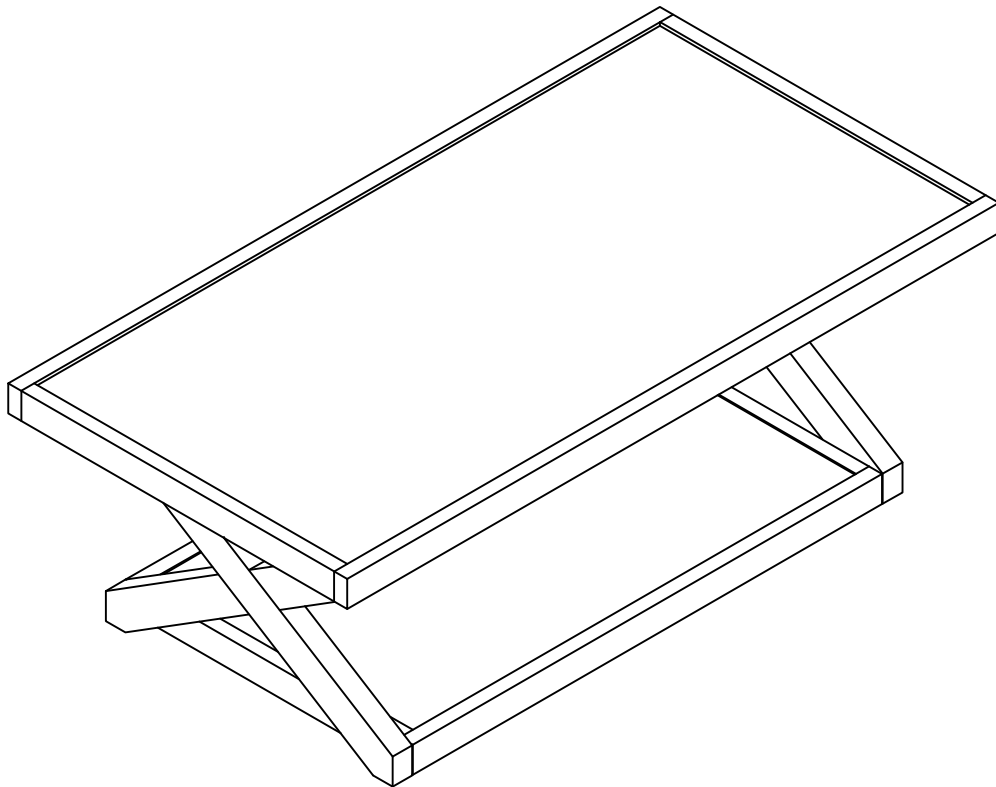


Assembly Instruction

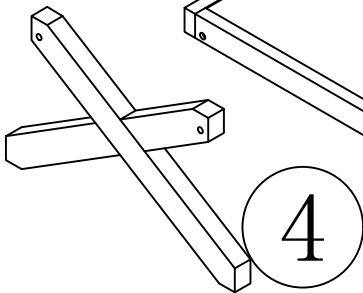
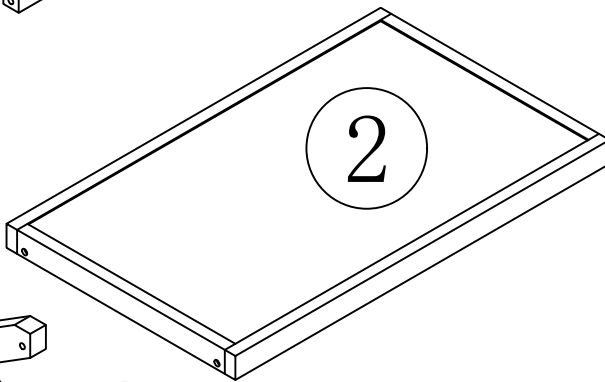
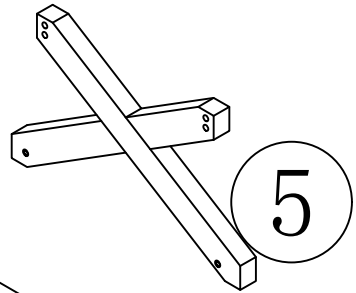
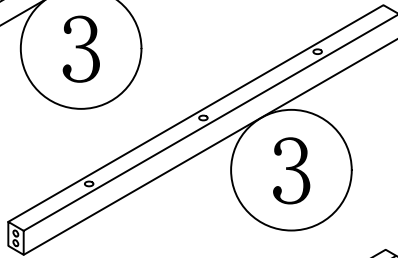
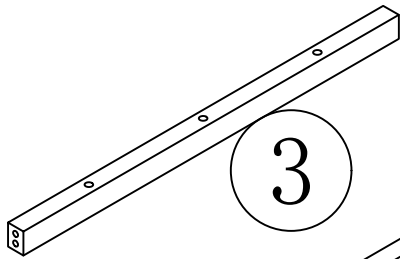
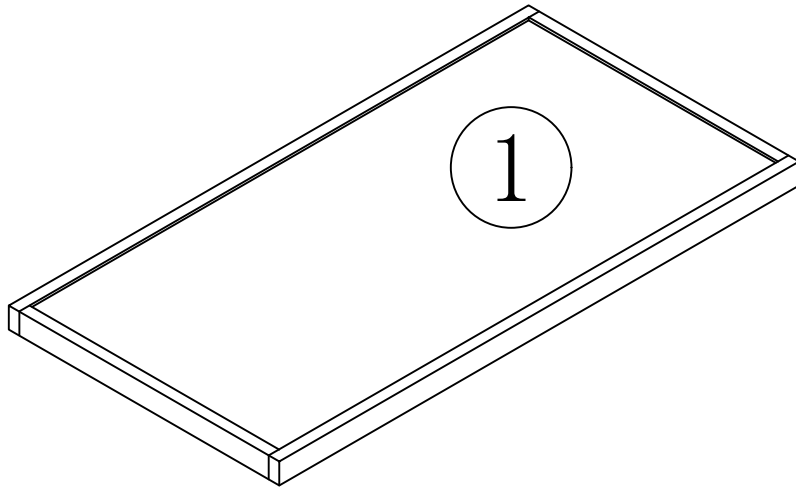
Coffee table



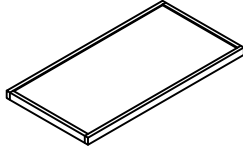
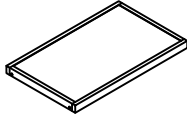
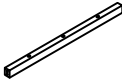
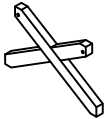
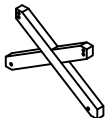
ASSEMBLY TIPS:

1. Remove hardware from box and sort by size.
2. Please check to see that all hardware and parts are present prior to start of assembly.
3. Please follow attached instructions in the same sequence as numbered to assure fast & easy assembly.








Parts List



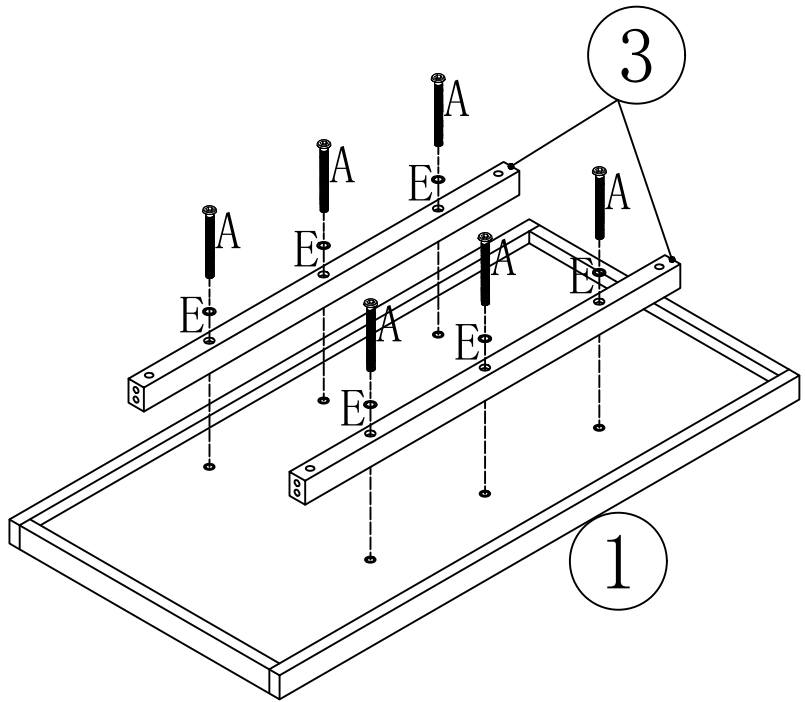
Parts List




Number	Name	Part	Qty
1	Table top		x1PC
2	Floating shelf		x1PC
3	Shelf brace		x2PCS
4	Left leg		x1PC
5	Right leg		x1PC

Hardware List

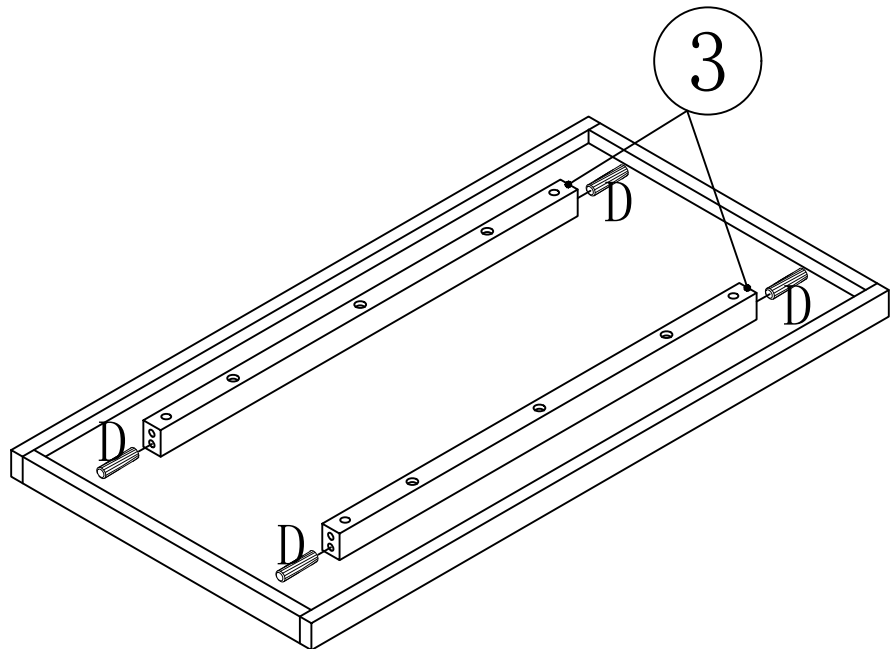
Number		Part	Qty
A	6X60		x6+2PCS
B	6X40		x8+2PCS
C			x4+2PCS
D	Ø8x30		x4+2PCS
E			x14+4PCS
S	M4		x1PC
T			x4PCS


1



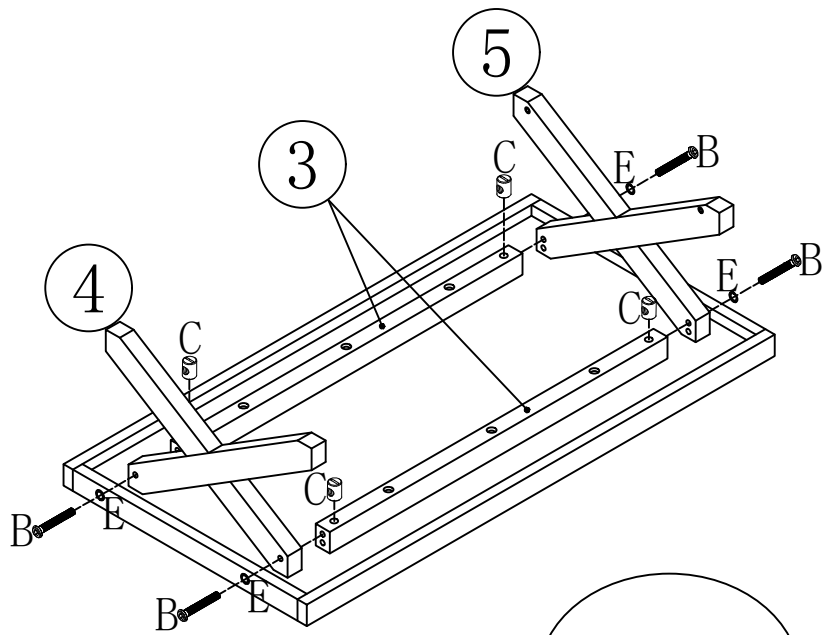
YOU WILL NEED		
A		x6
E		x6
S		x1





2

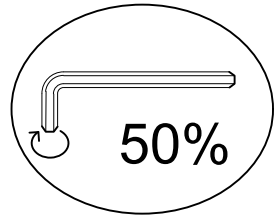


YOU WILL NEED		
D		x4

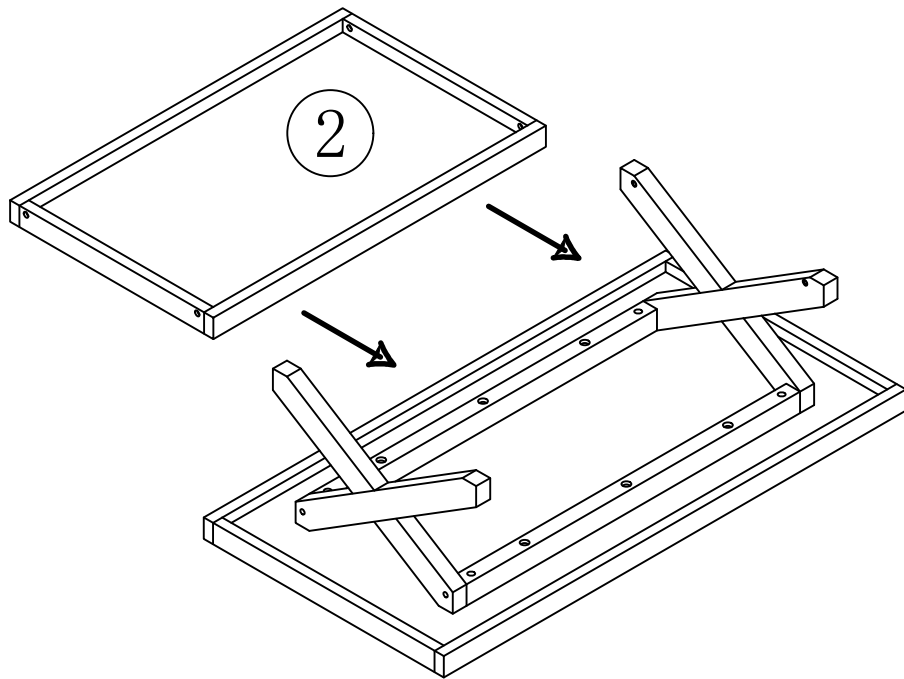
3



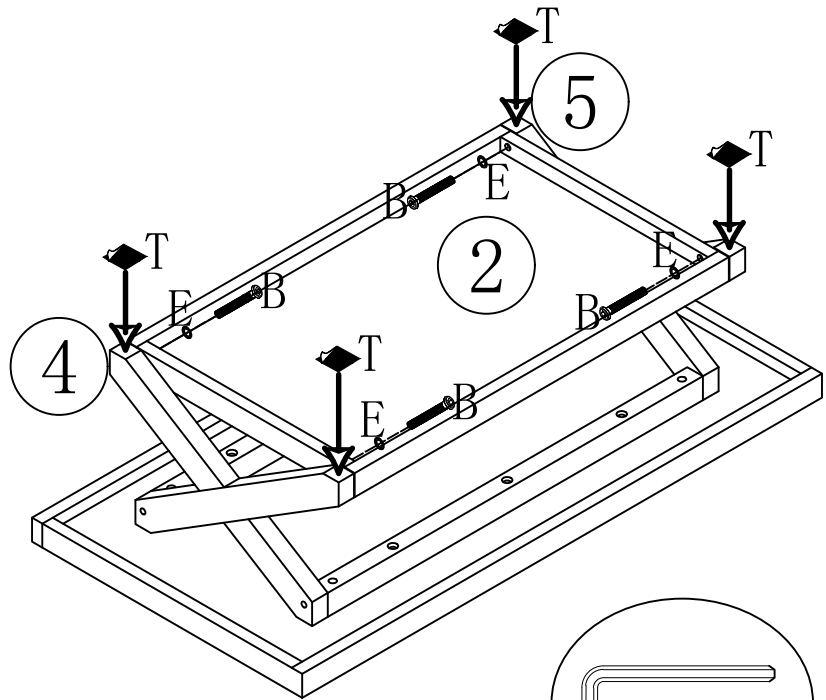
YOU WILL NEED		
B		x4
C		x4
E		x4
S		x1







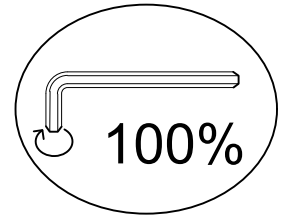
4



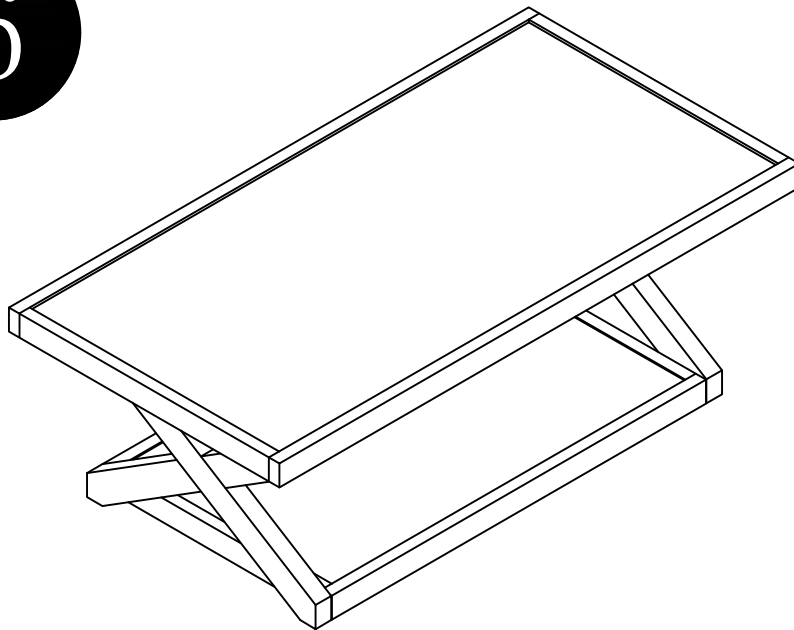
5



YOU WILL NEED		
B		x4
E		x4
S		x1
T		x4



6



Please ensure that all screws are tightened