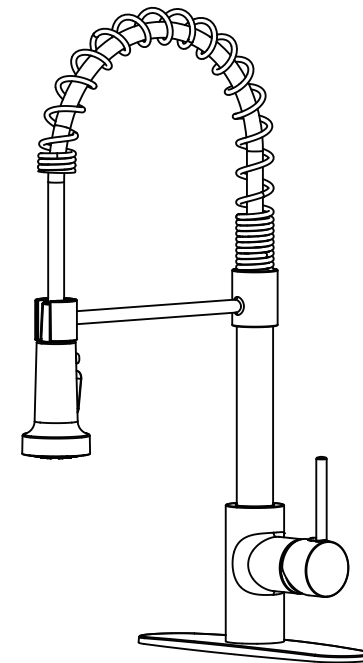


# **lfaucet**

## **Installation Manual Kitchen Faucet**



## Notice

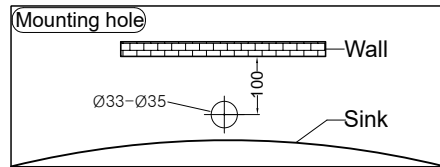
---

### 1. Cleaning

Before installation, shut off the water supply valves and clean up the water supply system.

### 2. Mounting hole

Make sure the mounting hole size is between  $\varnothing 33\text{mm}-\varnothing 35\text{mm}$  as shown in the diagram.



### 3. Protection

Clean the area of the mounting holes before installation.

To preserve the delicate finish of the faucet, please.

Do not scratch, but use a soft cloth to wipe around it.

Do not tighten the faucet too hard, so as to avoid deformation or fracture.

## Parameter

---

### 1. Water pressure

The recommended rang is 0.05Mpa to 0.75Mpa.

### 2. Do not use steam for hot water.

The recommended temperature of water supply is less than  $85^{\circ}\text{C}$ .

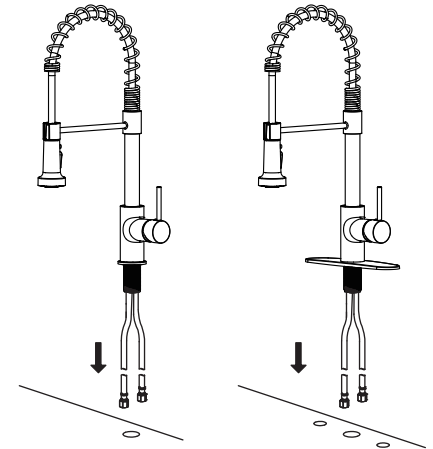
### 3. Working Temperature is more than $0^{\circ}\text{C}$ .

## Installation Steps

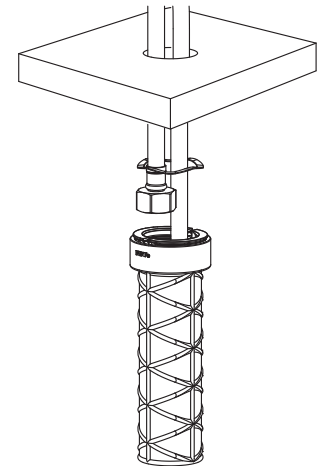
---

1. The kitchen faucet is suitable for one-hole or three-hole installation.

For 3-holes installation, pass the faucet base and deck plate through the flexible hose according to the order in diagram.

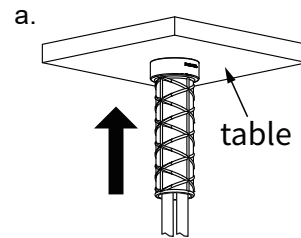


2. The hose nut and connector are inserted into the corrugated washer and the quick nut assemble in the component.

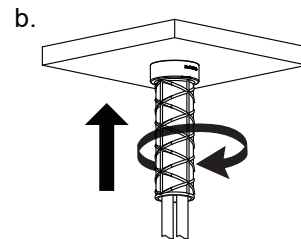


## Installation Steps

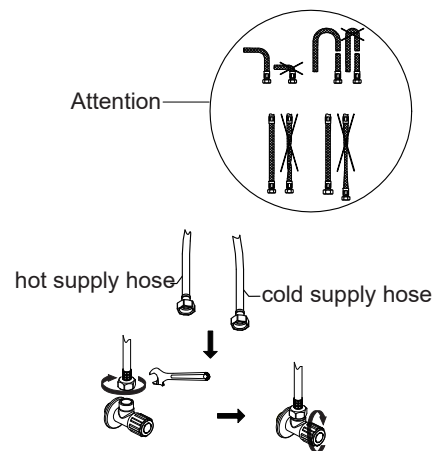
3. a. Hard press the block nut against the bottom of the table and flatten it so that the locking thread is completely pressed into the main body.



3. b. Keep the step a at the same time with rotating clockwise until the locking thread is locked.

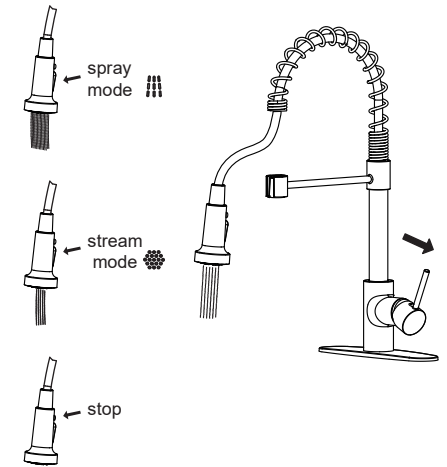


4. Connect the hot and cold inlet hoses onto the matching water valves and secure them properly, as shown in diagram.

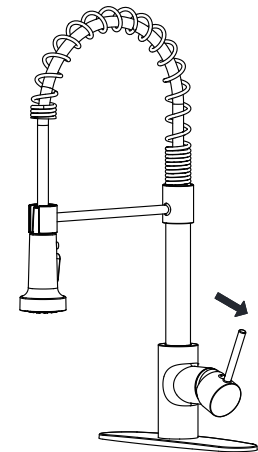


## Installation Steps

5. After the installation is completed, turn on the faucet and run for a few minutes to check for leaks.



6. Handle turning direction.



# Maintenance

---

1. Operate the faucet gently in order for a sustainable use.
  2. Always blot dry any water from faucet surface. Clean with a damp non-abrasive sponge and wipe it with a clean soft cloth should be helpful to maintain good finish of the faucet. To remove water spots, please apply warm water and a damp soft cloth. Make certain to rinse thoroughly with water immediately after cleaner.
  3. Although the finish is extremely durable, it can be damaged by some cleaners. Do not use detergent powder, polishing powder, granular detergent or nylon brush to clean.
  4. Do not use acidic detergents. If happened, it must be rinsed properly and wiped dry with a soft cloth.
  5. When the air temperature is below 0°C, a measure should be taken to keep the faucet working condition warm.
  6. Shut off the water supply valves when the faucet will not be in use for an extended amount of time.
  7. Do not allow the product to get in touch with the rust or strong corrosive substances, or install under a corrosive environment.
- We reserve the right to make revisions in the design of faucets without notice.
  - Image is for reference only, styles varies by models.

**Any installation or after-sales problems,**

**Please contact us: [ifaucet2021@163.com](mailto:ifaucet2021@163.com)**