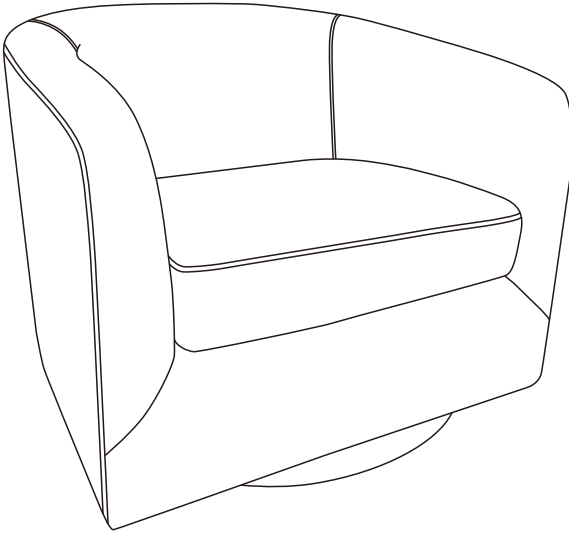


Owner Manual



NOTE:

This brochure contains IMPORTANT safety info.
Please read and keep for future reference.

MAINTENANCE AND WARNING

- Keep furniture away from heat and fire.
- Keep furniture away from sharp objects.
- Do not clean furniture with harsh cleansers or polish. Do not use detergents, Solvents, abrasives, spray packs or leather cleaner. Use non-color mild soap with warm water clean spills(Mix 1:10 soap to water)
- Do not place furniture under direct sunlight, material will possibly fade over time.
- Do not jump or strike on the furniture.
- Do not write on furniture without a padded barrier to protect the surface.
- Not for commercial use, For residential use only.



Weight Limitation

400LBS

WARRANTY

We strive to offer high-quality products, and we also try our best to satisfy each and every customer that orders from us with product or service as needed.

Each customer must provide a record of their order such as the order number, or item receipt for any items that are out of the warranty period you may also still receive replacement parts by purchasing them with our company if they are available.

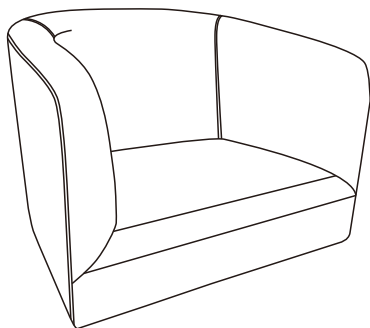
**Are you having difficulty
with assembly? Missing parts?**

**For return, please check the return policy with
the retailer or market place you bought from.**

Appreciate your purchasing from us.

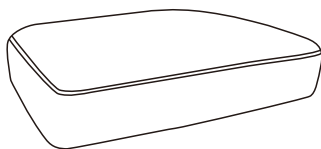
PARTS LIST

A*1



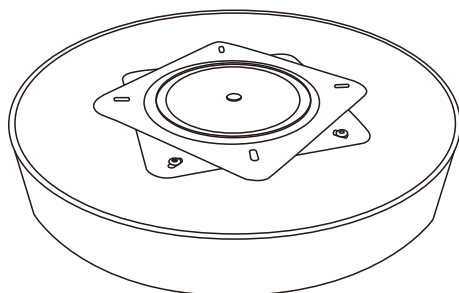
Seat frame

B*1



Seat cushion

C*1



Rotary base

HARDWARE and TOOL LIST

①*4

M6*45mm



Bolt

②*1

M6



Allen Key

SPARE

①*1

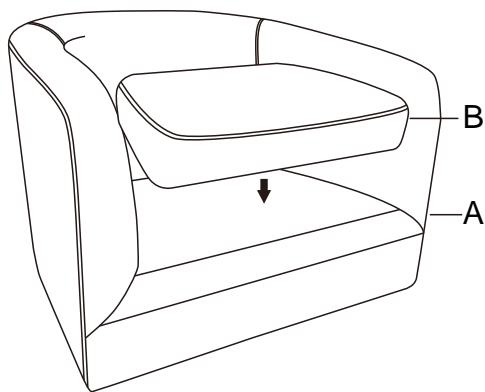
M6*45mm



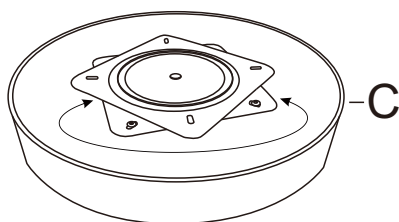
Bolt

Be sure to check all packing materia fit the packing list. Carefully for small parts, which may have come loose inside the carton during shipment.

ASSEMBLY INSTRUCTIONS

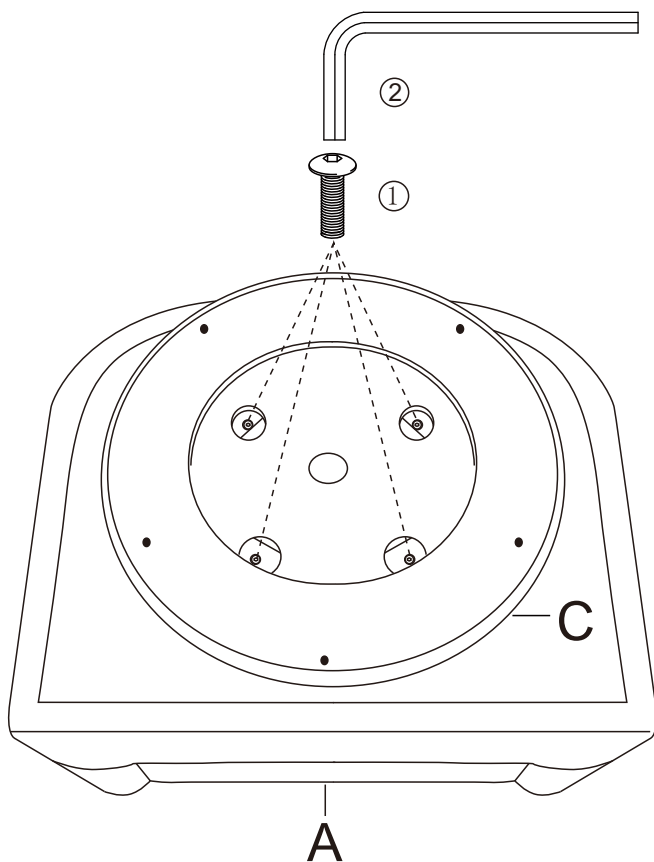


STEP 1:Place the seat cushion B on the seat frame A.



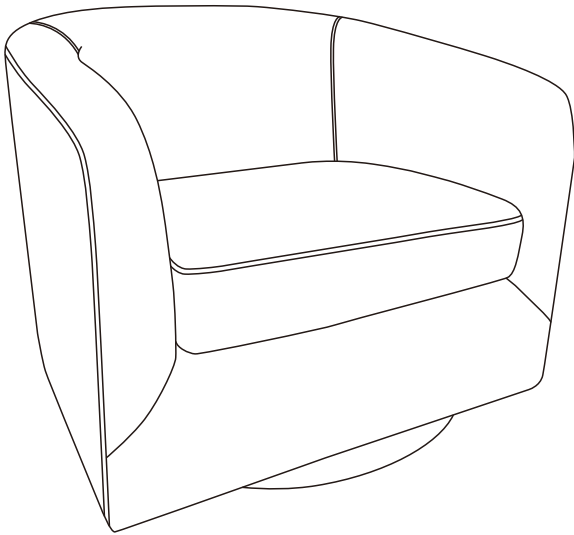
Can be rotated 360°
Swivel

STEP 2:Rotate the swivel on Rotary base C to the position shown.



STEP 3: Turn the seat frame A upside down on clean padded surface.

Use bolt #1, allen key #2 to attach Rotary base C on the seat A, fasten all bolts to secure.



STEP 4: Assembly completed.