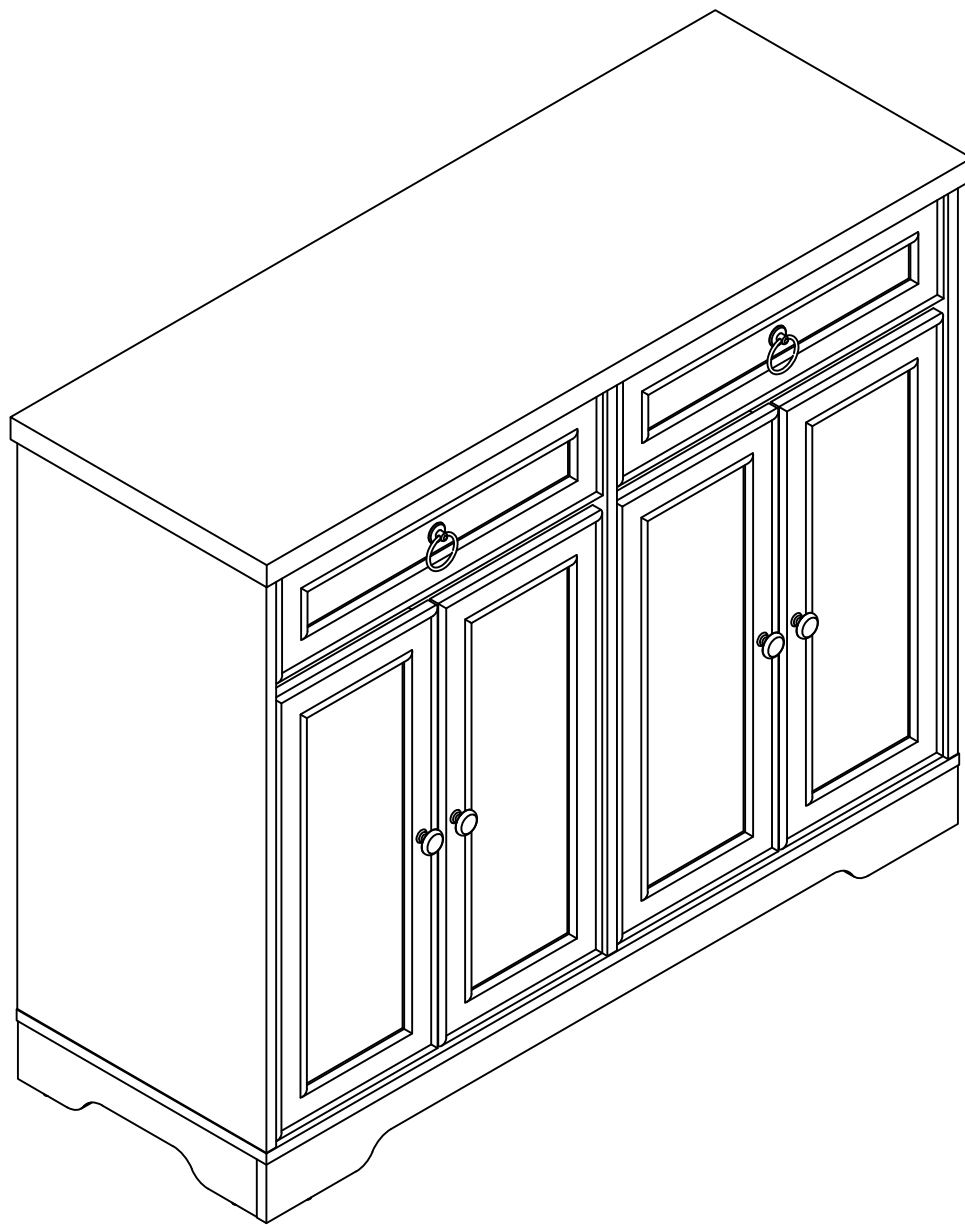


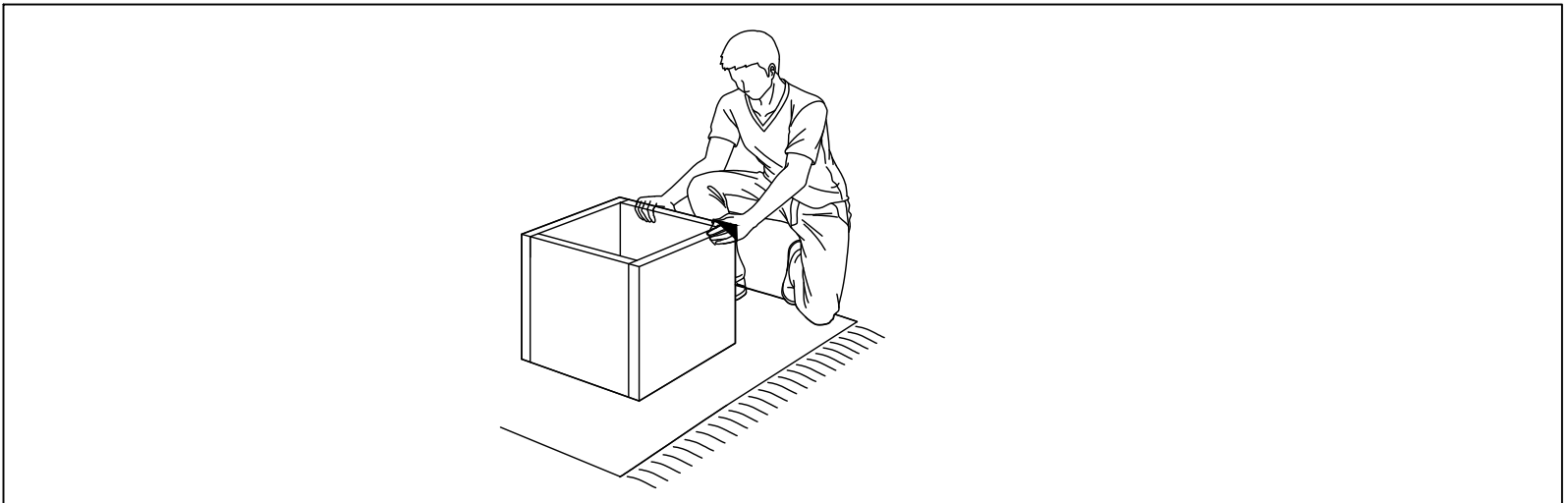
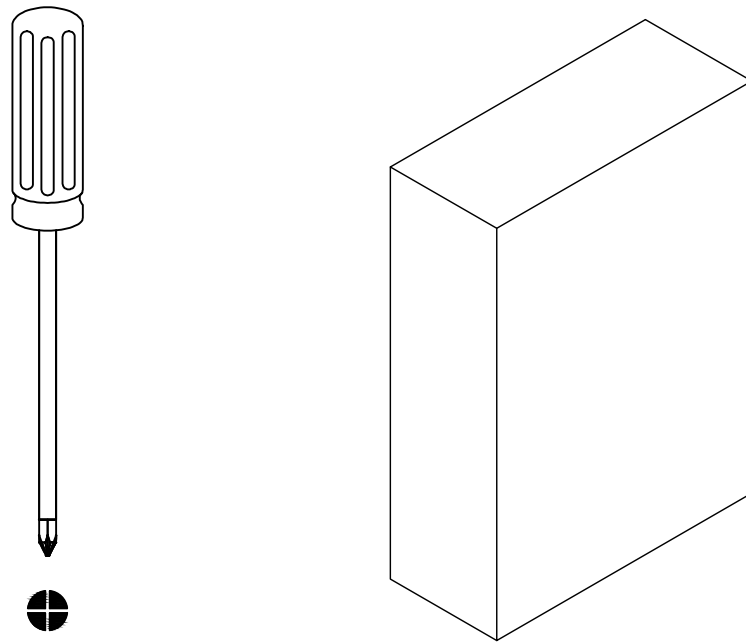
Assembly Instructions

Dining side locker

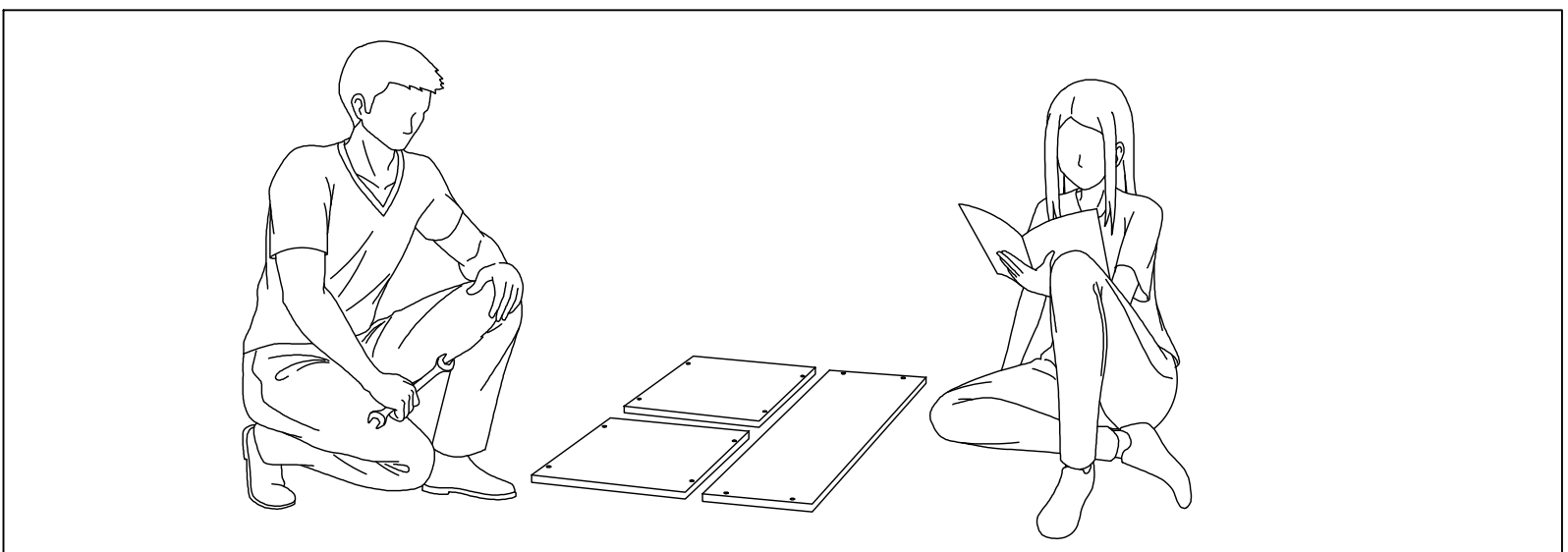


Thank you for your purchase. All components are included in a single package. Please follow the instructions step by step for a quicker and smoother installation process. If you encounter any issues, please contact our customer service team and we will be pleased to assist you.

WARNING!



Assembly the furniture on empty carton, carpet, or rug to prevent scratches or damage.



This furniture requires 2 people to assembly.
Make sure no parts are missing or damaged before assembly.

Not actual size

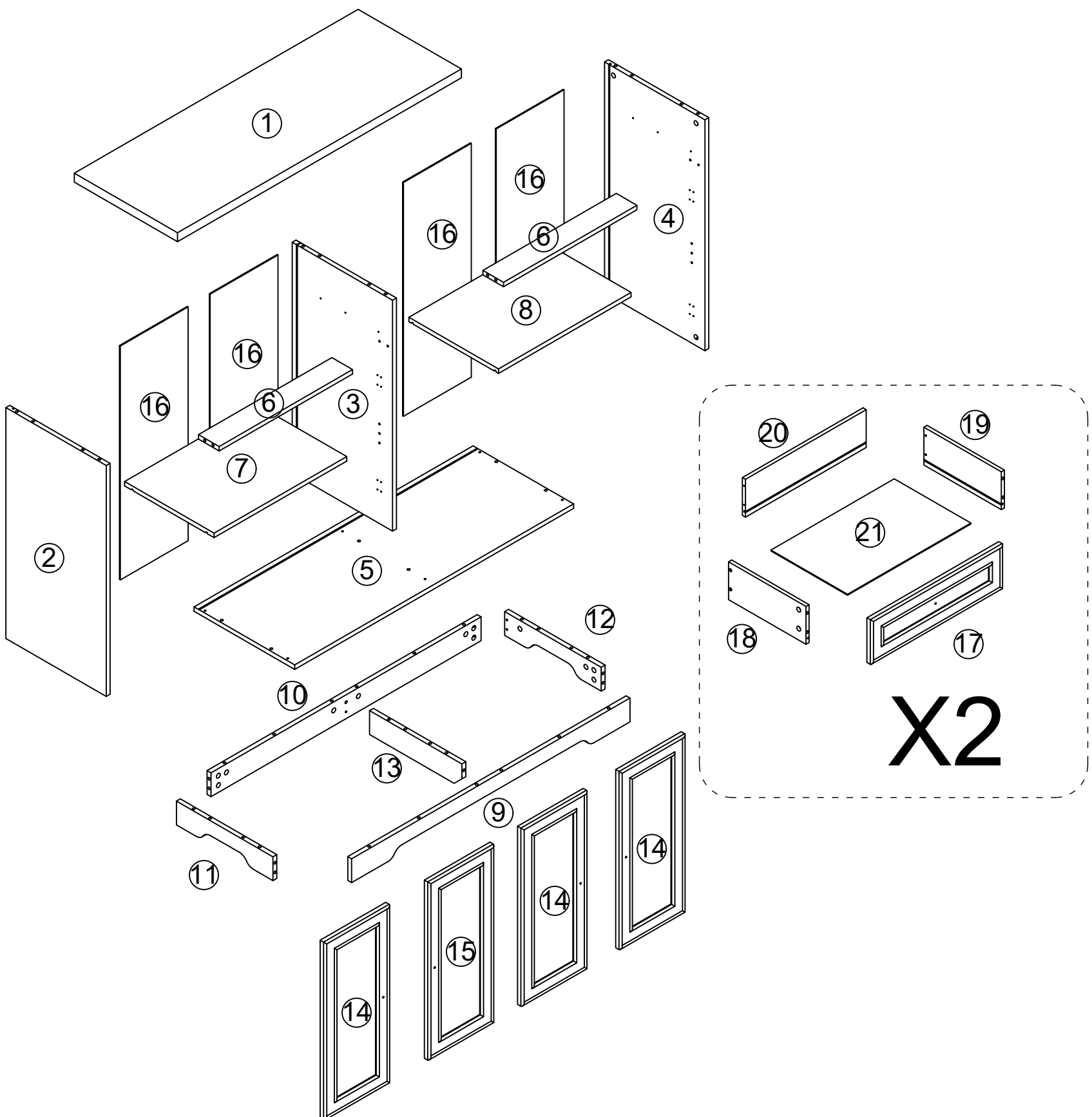
CHECK ALL PARTS

Are you missing anything?

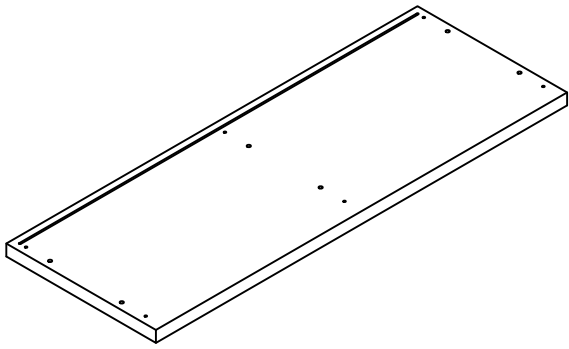
Double-check that all parts, hardware, and accessories listed on Pages 3-6 are accounted for. We can send any missing parts.

Should we send any replacements?

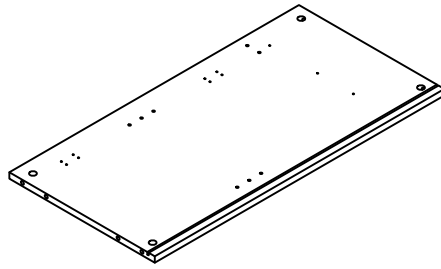
If there are any flaws in the parts, we can send replacements!



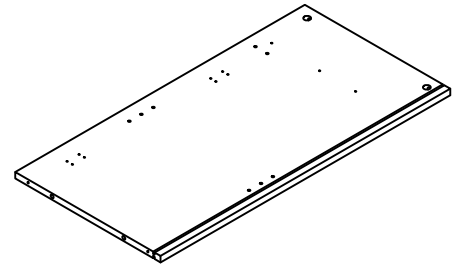
Not actual size



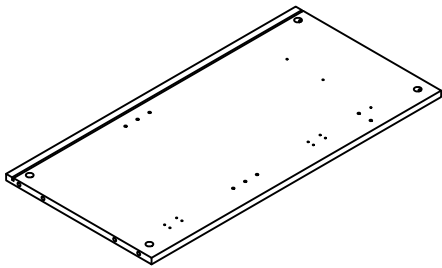
① X1



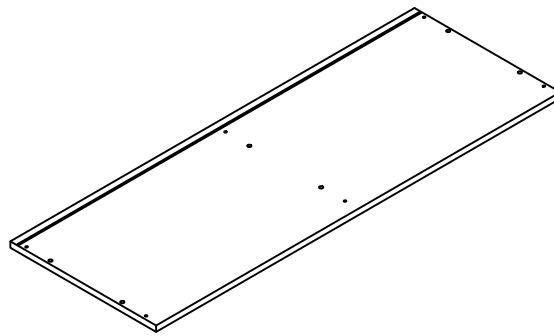
② X1



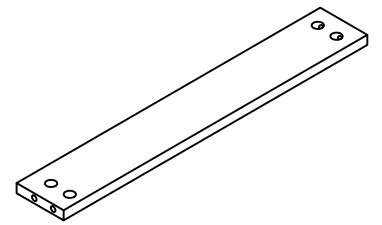
③ X1



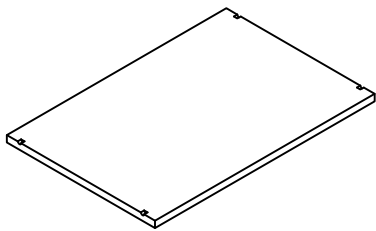
④ X1



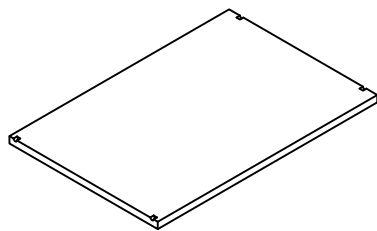
⑤ X1



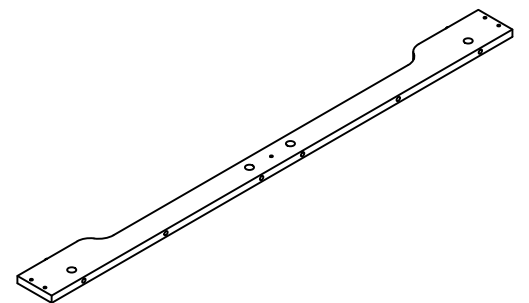
⑥ X2



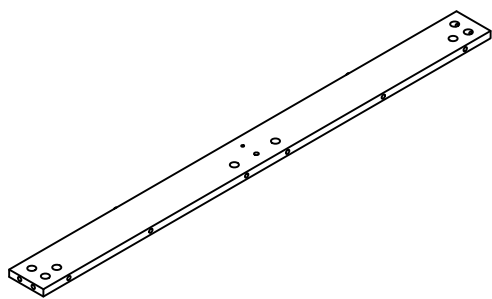
⑦ X1



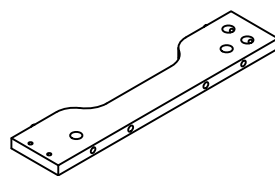
⑧ X1



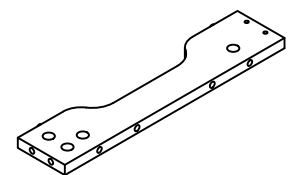
⑨ X1



⑩ X1

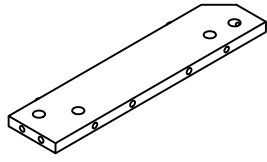


⑪ X1

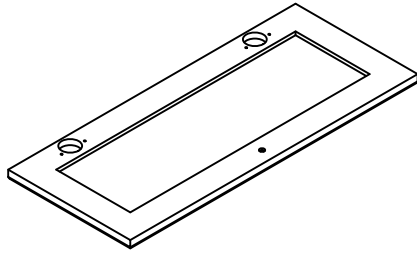


⑫ X1

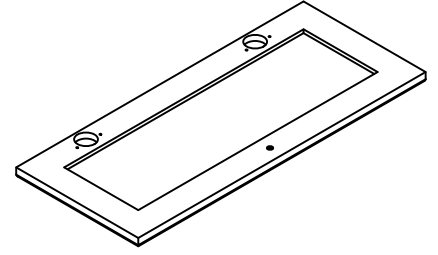
Not actual size



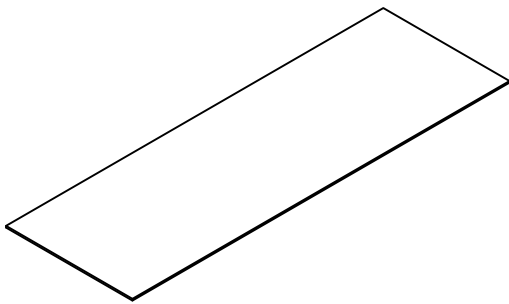
⑬ X1



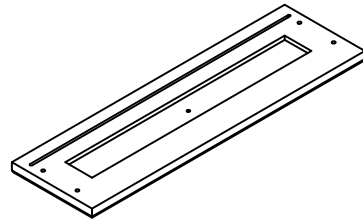
⑭ X3



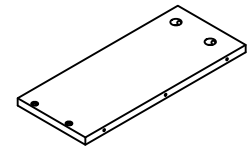
⑮ X1



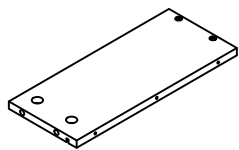
⑯ X4



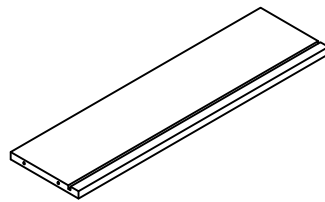
⑰ X2



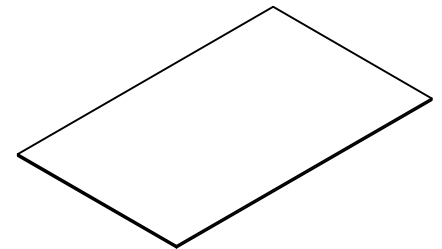
⑱ X2



⑲ X2

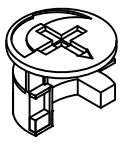


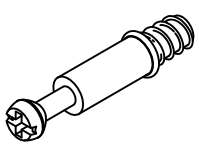
⑳ X2

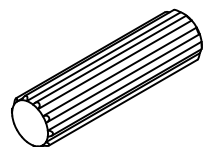


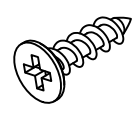
㉑ X2

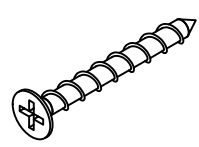
Not actual size

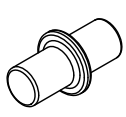
A	X50+3
	
$\phi 15 * 9.5$	

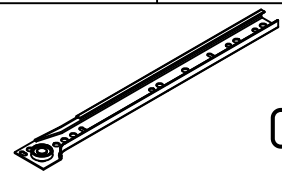
B	X50+3
	
$\phi 6.5 * 35$	

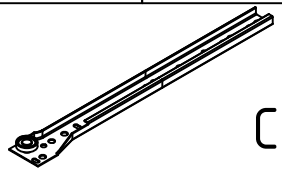
C	X23+2
	
$\phi 8 * 30$	

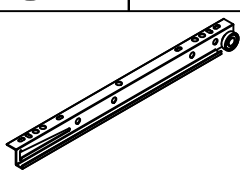
D	X72+3
	
$\phi 3.5 * 14$	

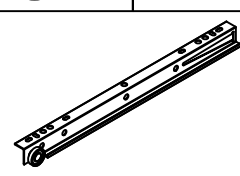
E	X10+1
	
$\phi 4 * 35$	

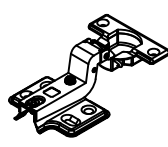
F	X8+1
	
$\phi 5 * 16$	


G	X2
	
CL L=300	

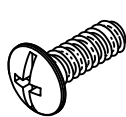
G	X2
	
CR L=300	


G	X2
	
DL L=300	


G	X2
	
DR L=300	

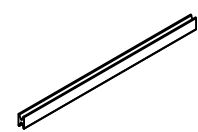
H	X8
	
$\phi 35$	

I	X2+1
	
M4*8	

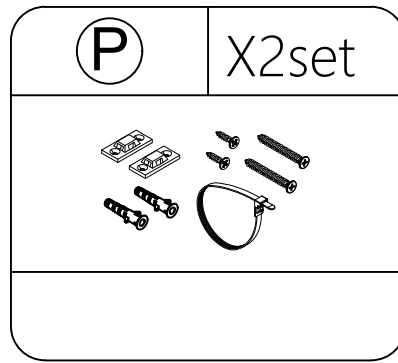
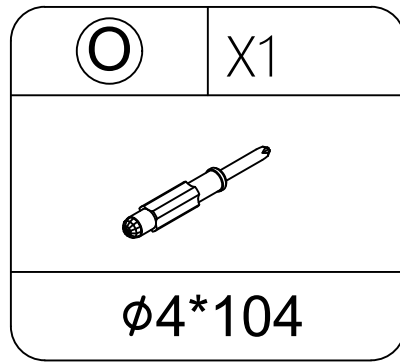
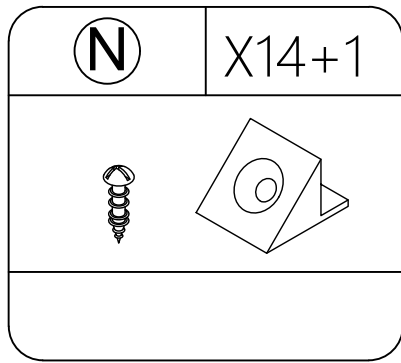
J	X4+1
	
M4*18	

K	X2
	
$\phi 32 * 48$	

L	X4
	
37($\phi 22$)*28	

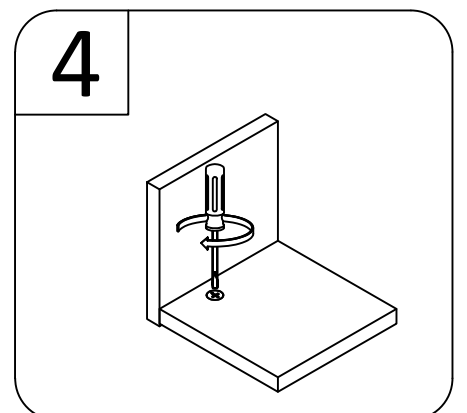
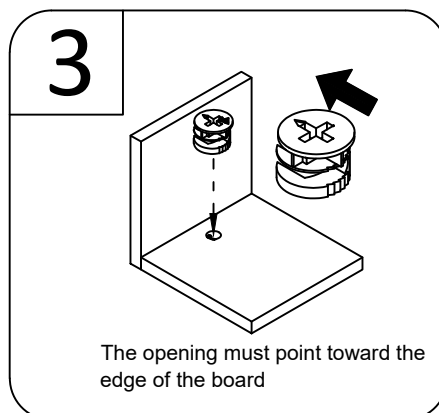
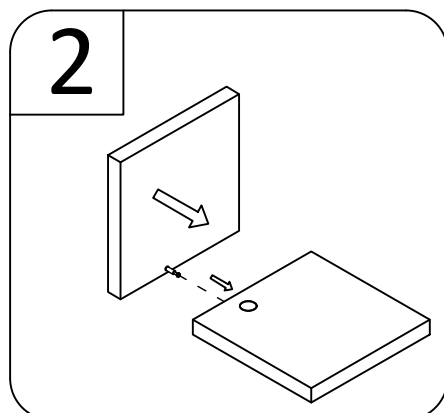
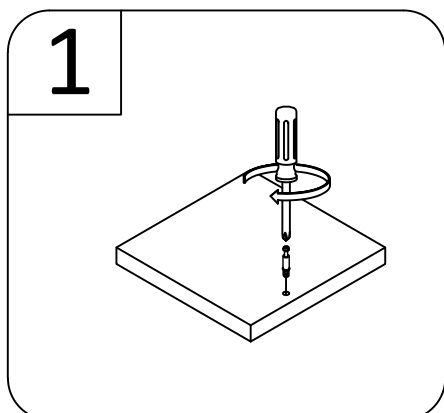
M	X2
	
773	

Not actual size

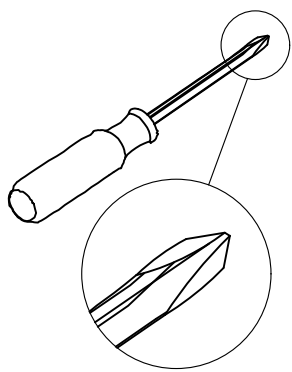


Cam Lock Fastening System

Insert the cam bolt into the hole first, then insert the cam lock and lock it.



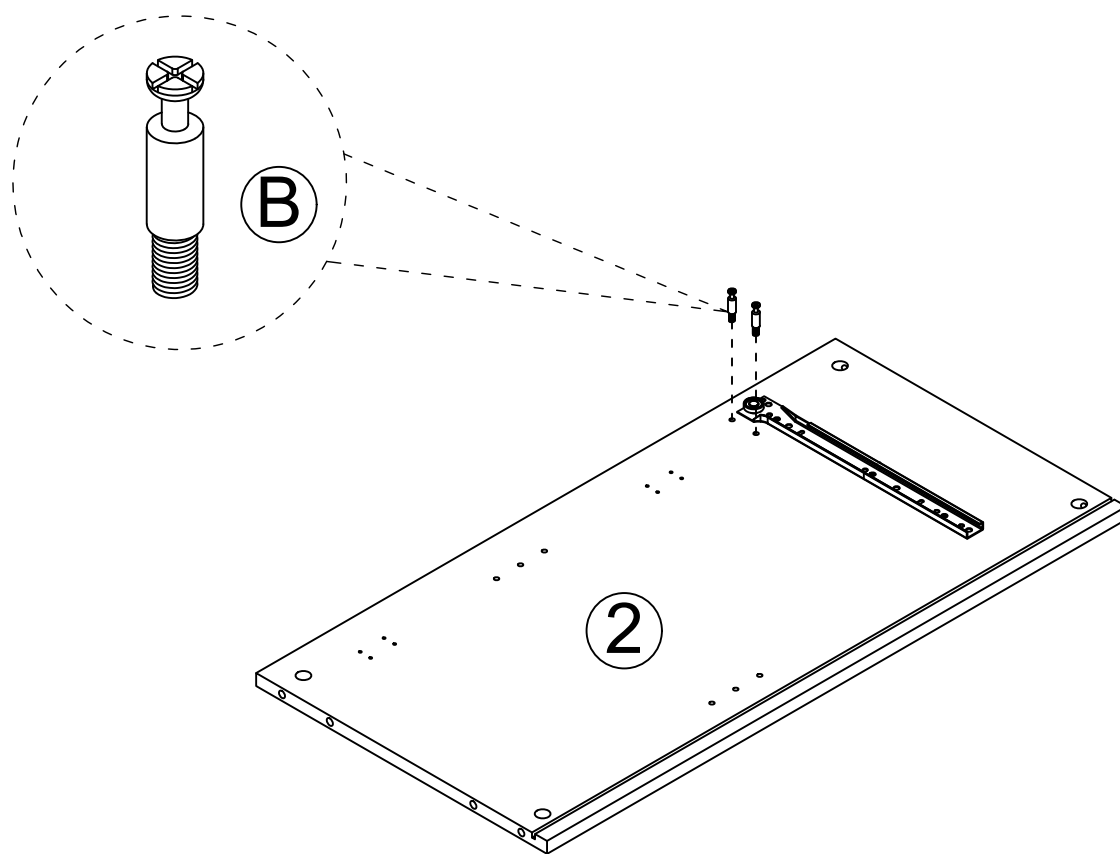
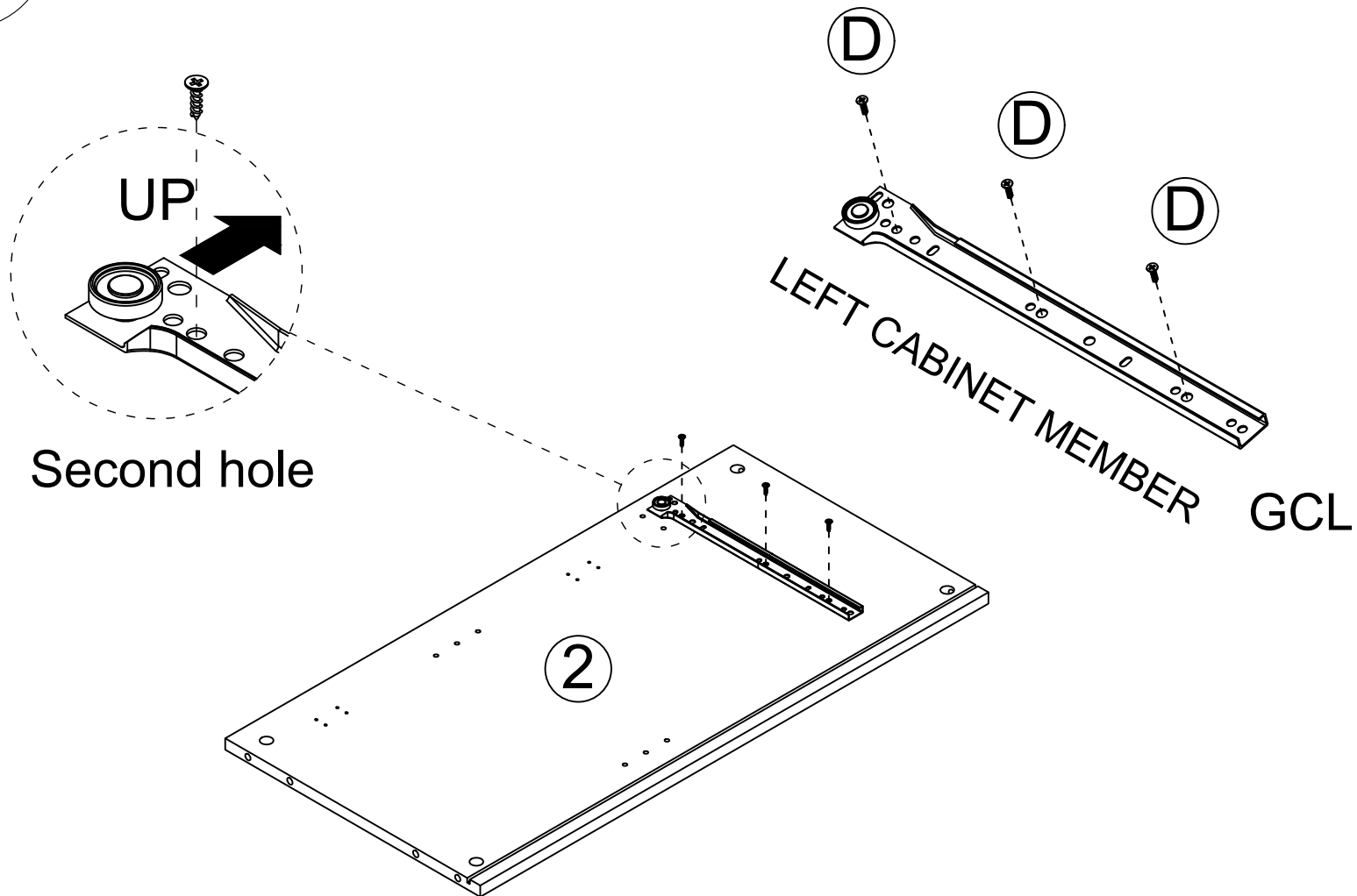
STEP 1



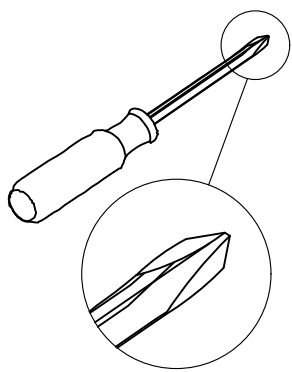
(B)	X2
$\phi 6.5 \times 35$	

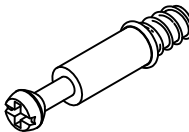
(D)	X3
$\phi 3.5 \times 14$	

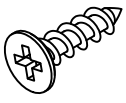
(G)	X1
	CL
L=300	

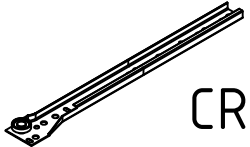


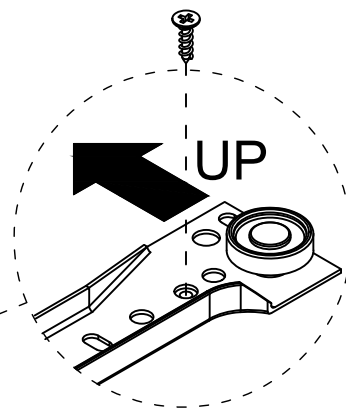
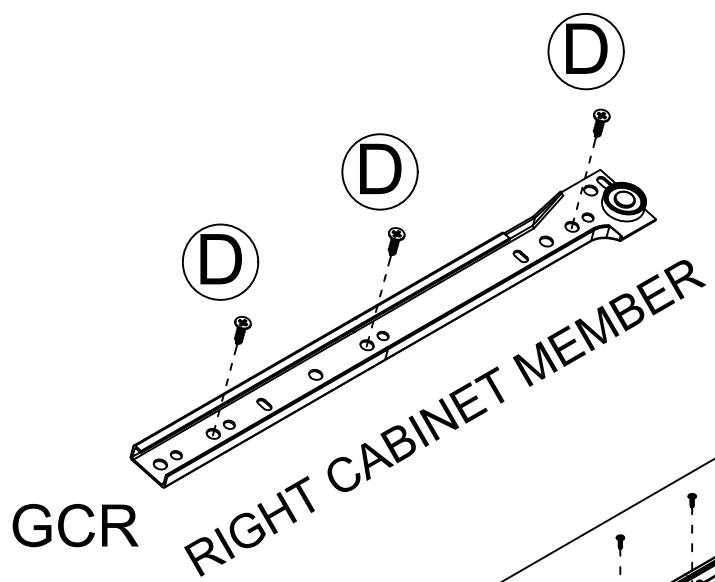
STEP 2



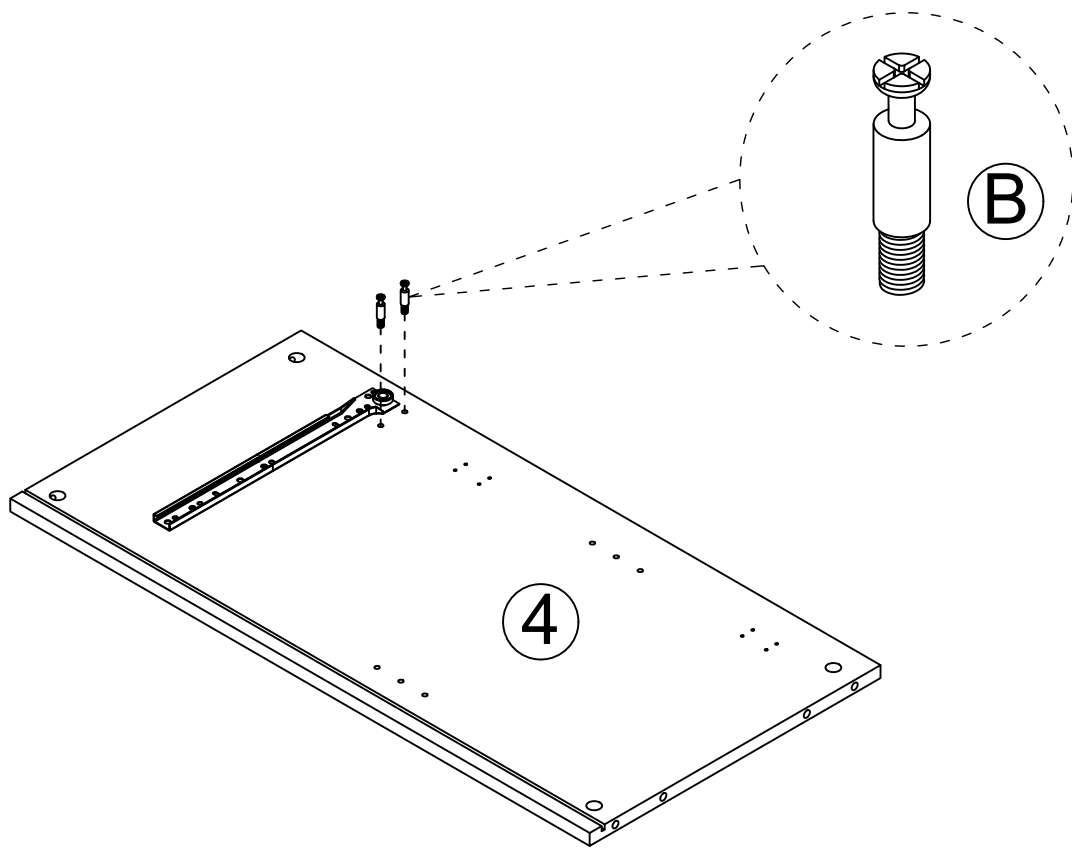
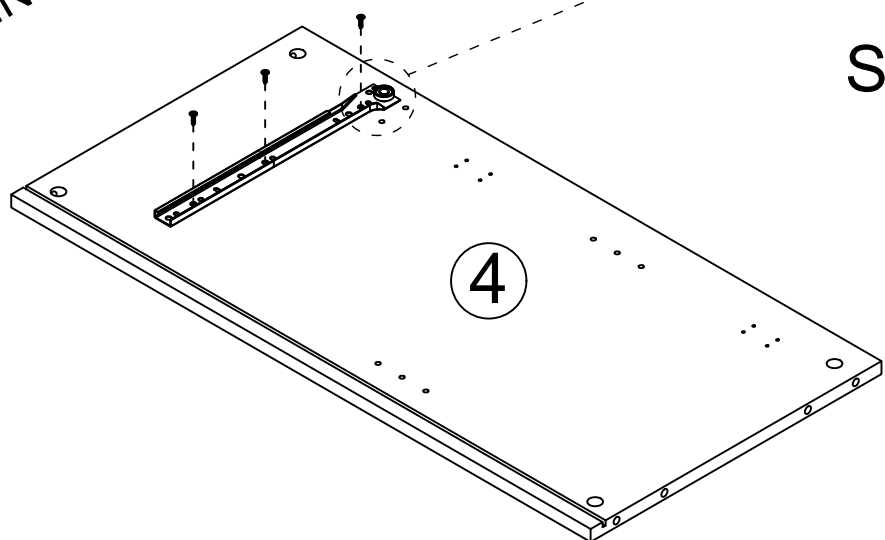
(B)	X2
	
$\phi 6.5 \times 35$	

(D)	X3
	
$\phi 3.5 \times 14$	

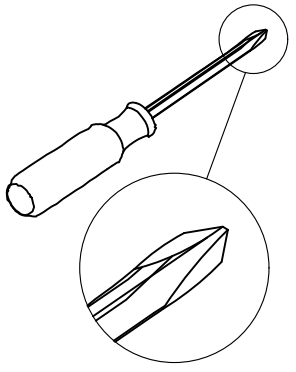
(G)	X1
	CR
L=300	

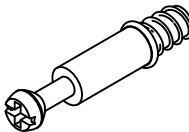


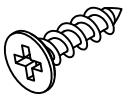
Second hole

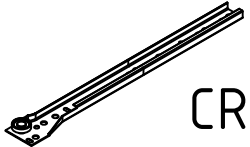


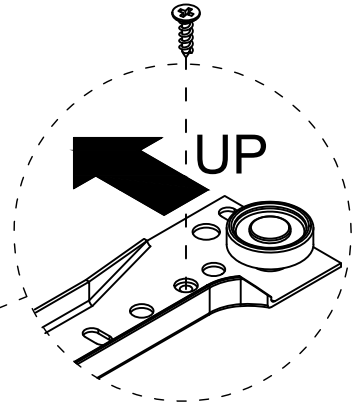
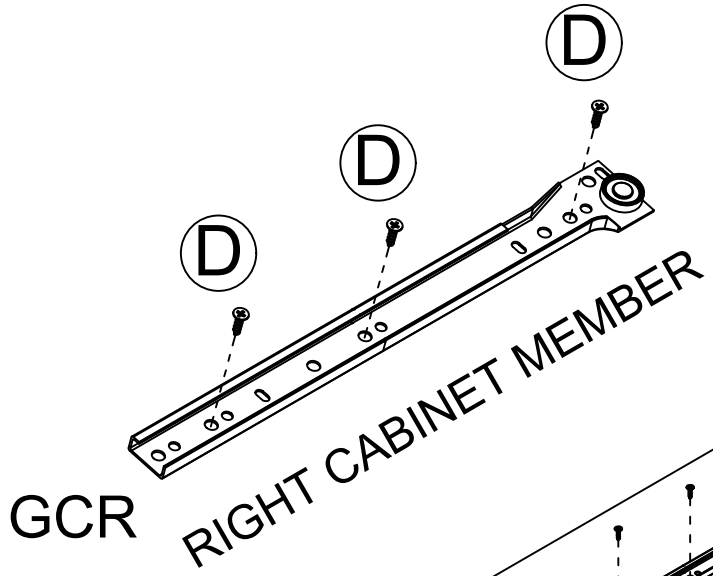
STEP 3



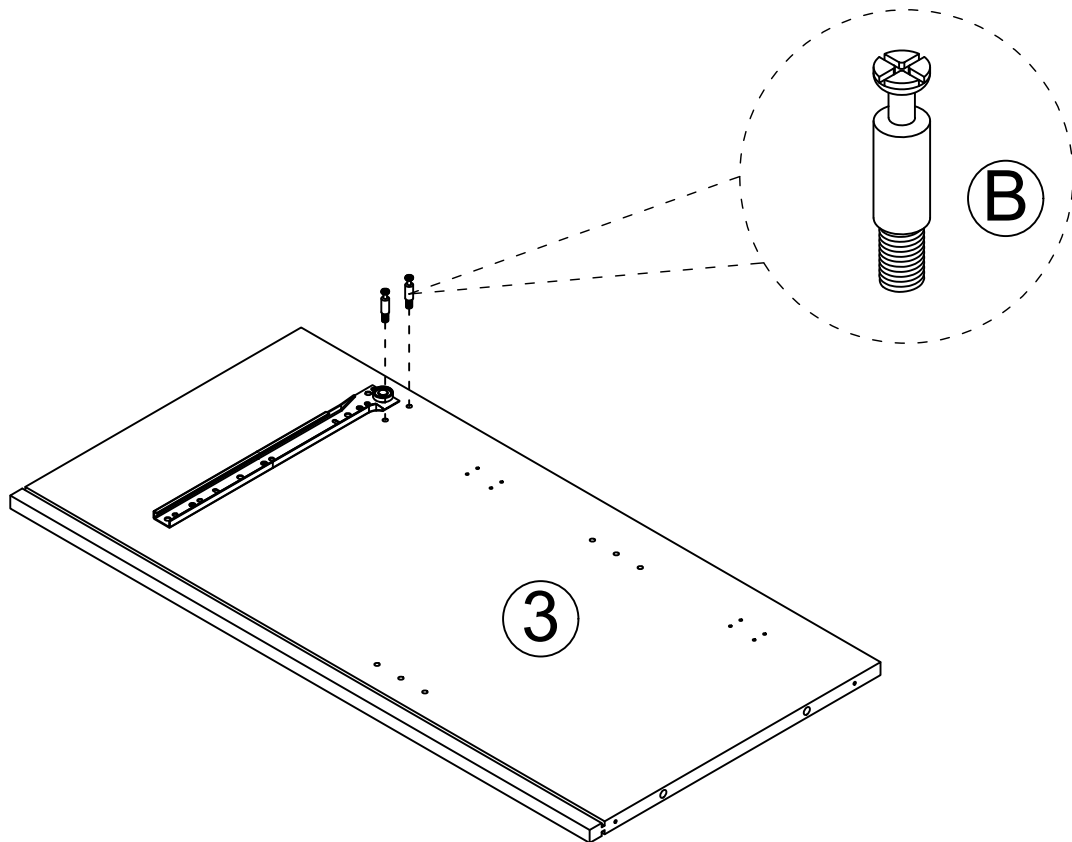
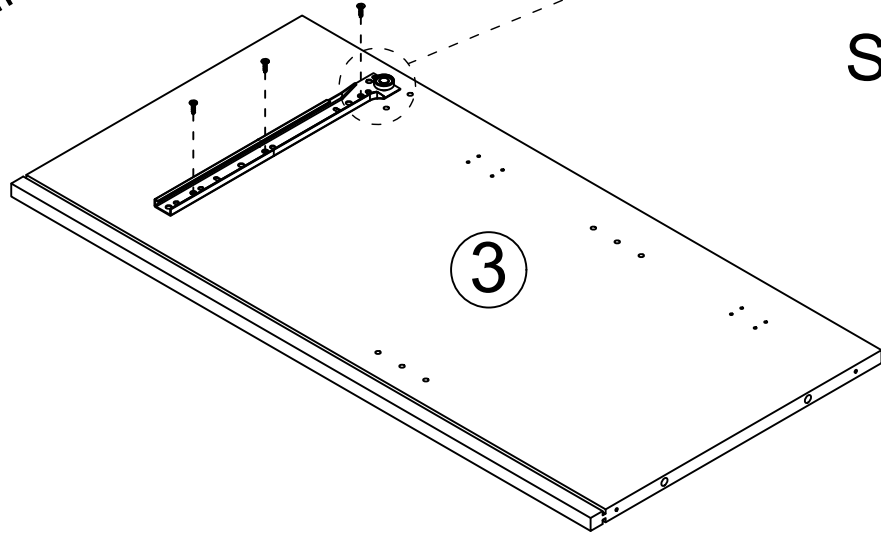
(B)	X2
	
$\phi 6.5 \times 35$	

(D)	X3
	
$\phi 3.5 \times 14$	

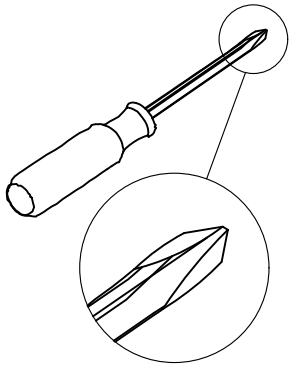
(G)	X1
	CR
L=300	



Second hole



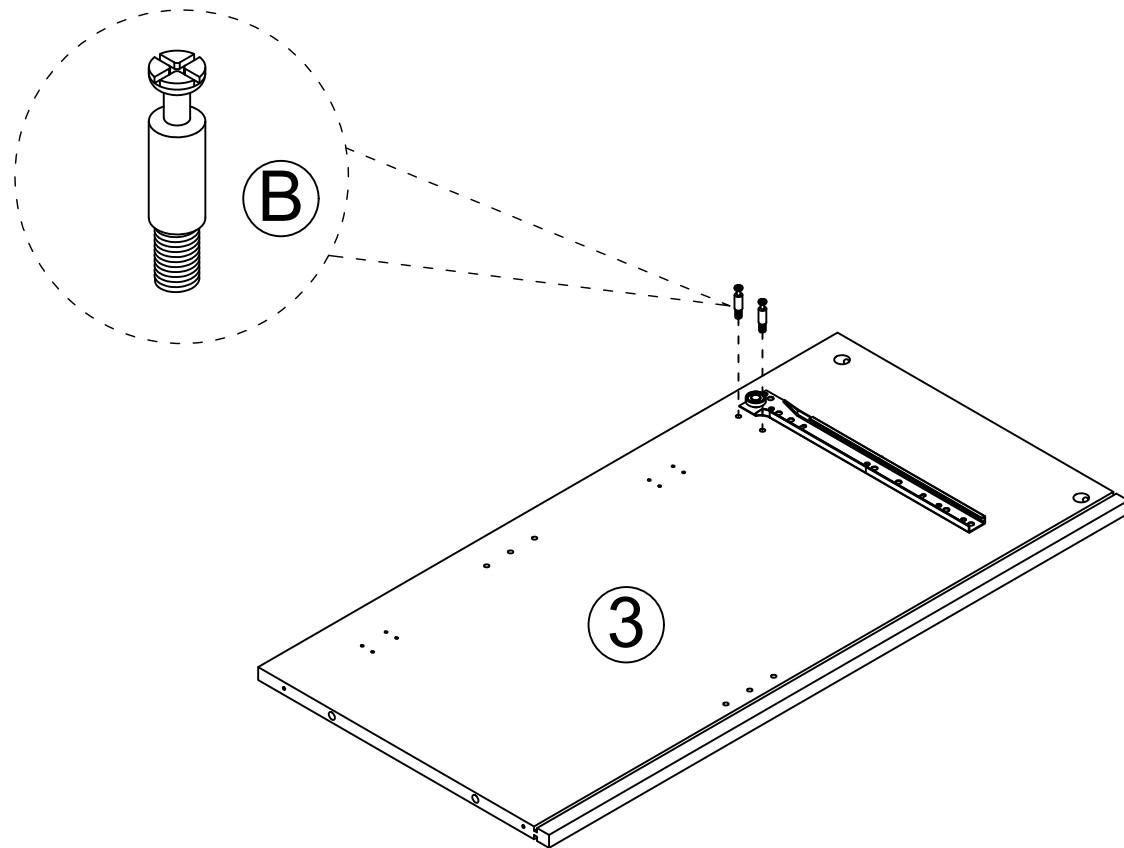
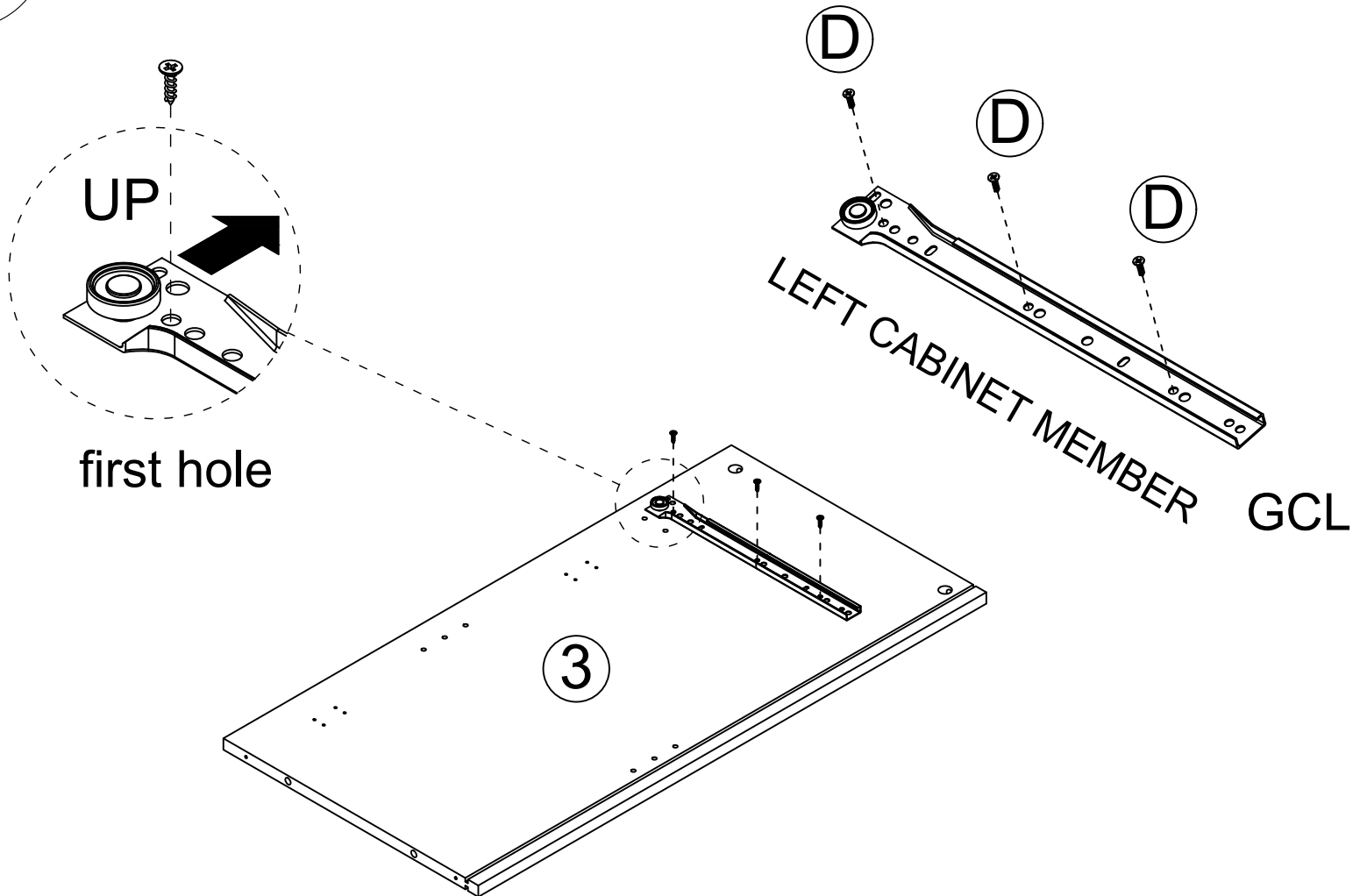
STEP 4



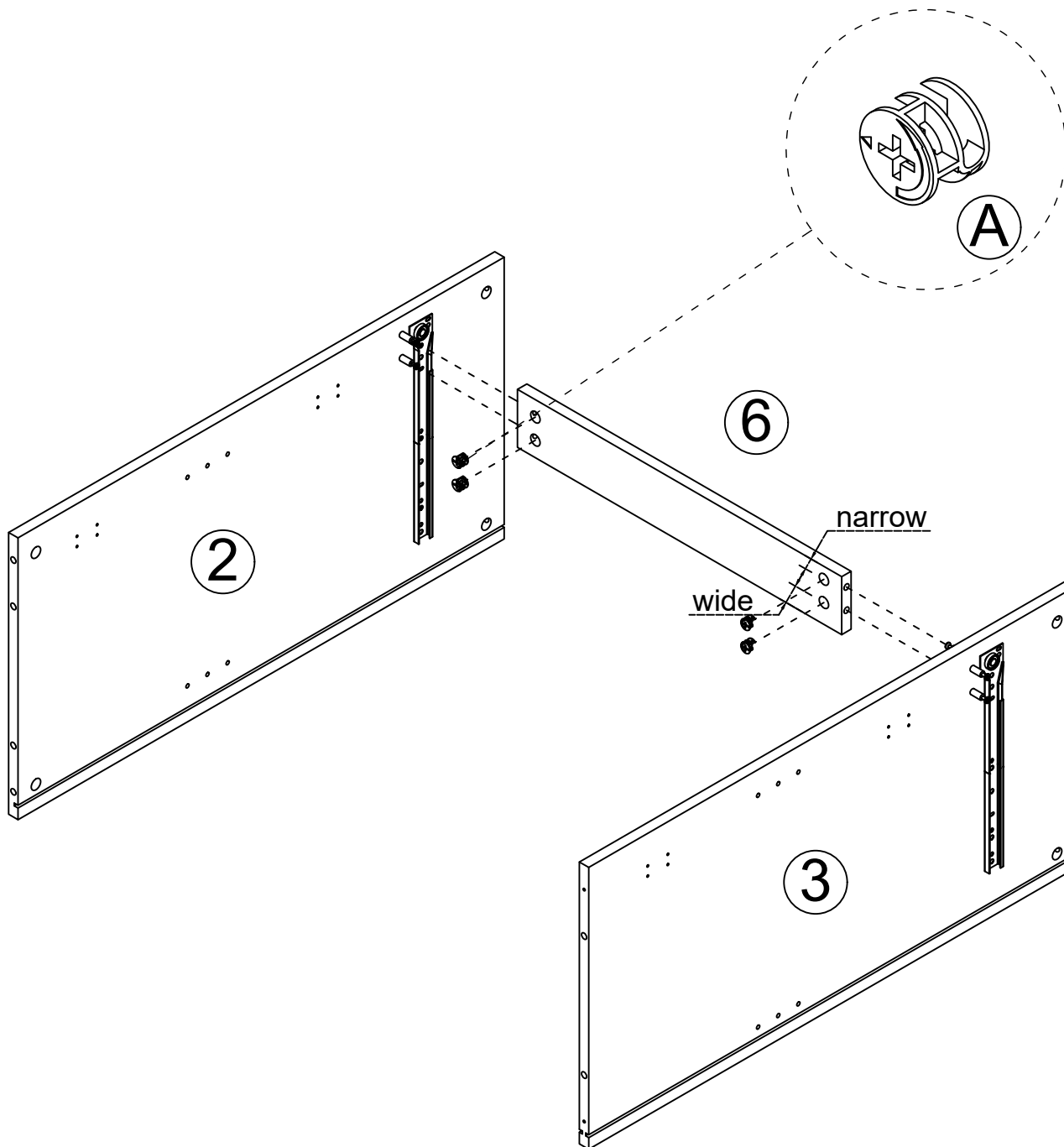
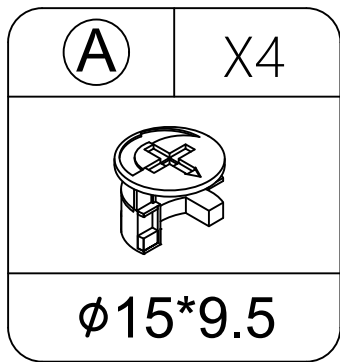
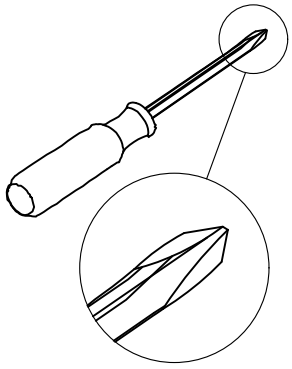
(B)	X2
$\phi 6.5 \times 35$	

(D)	X3
$\phi 3.5 \times 14$	

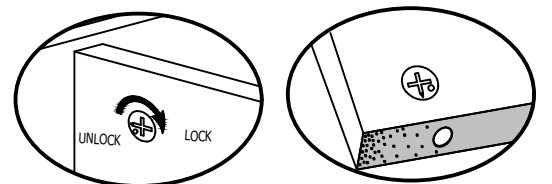
(G)	X1
	CL
L=300	



STEP 5

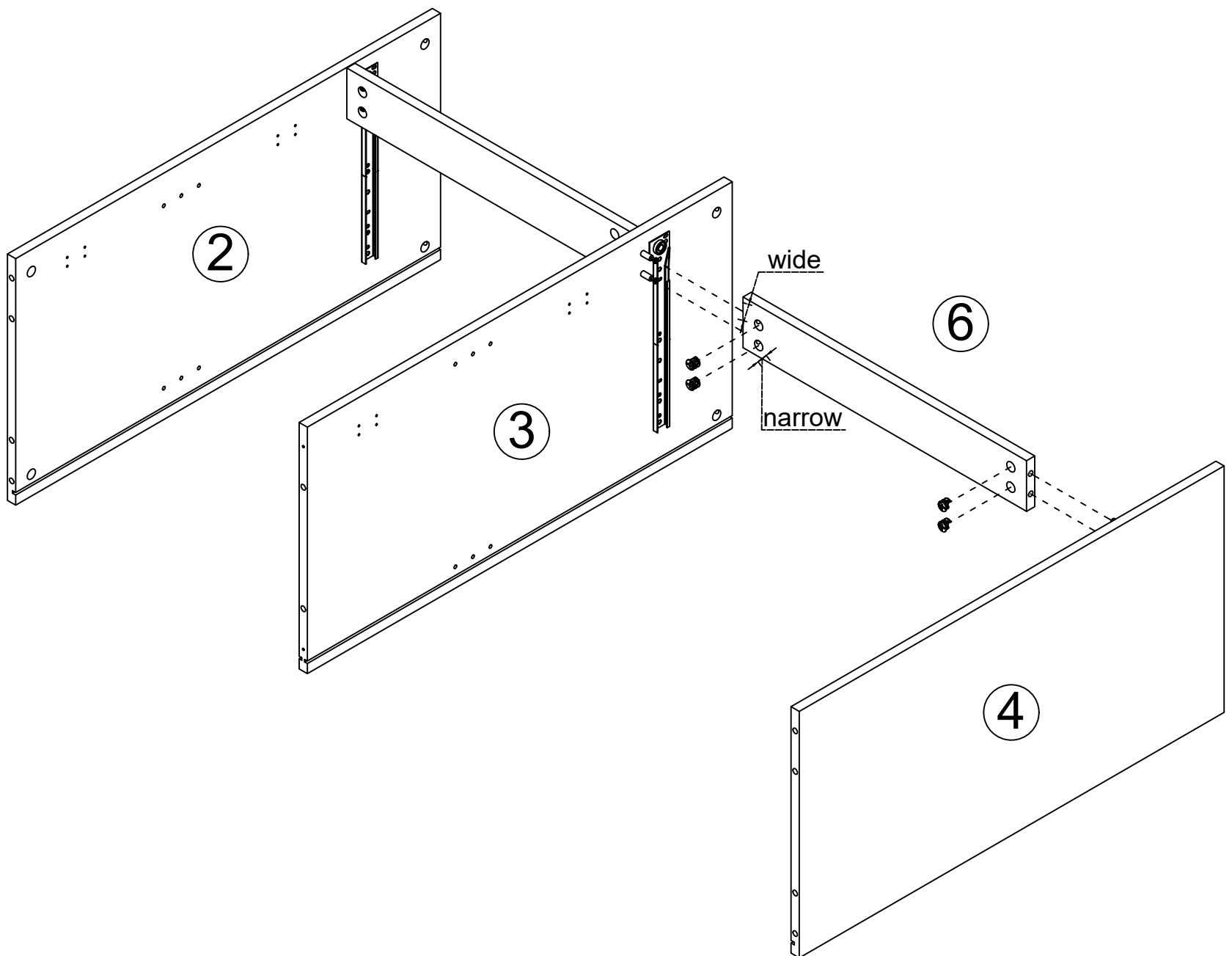
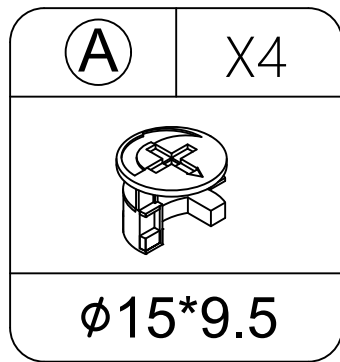
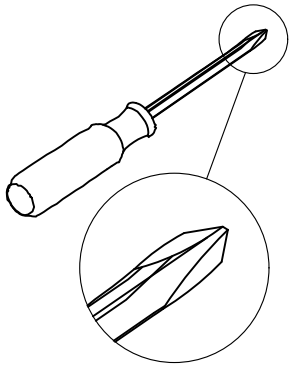


Insert the cam bolt into the hole first, then insert the cam lock and lock it.

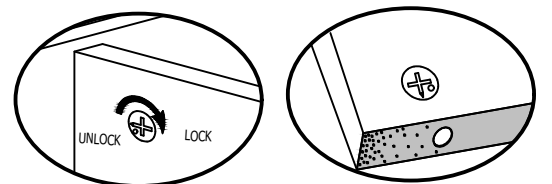


Proper orientation of CAM LOCK

STEP 6

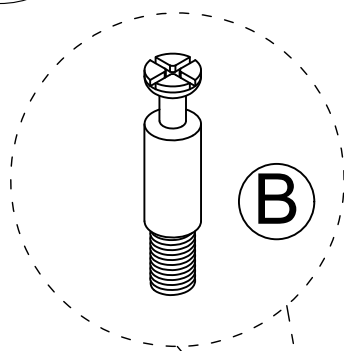
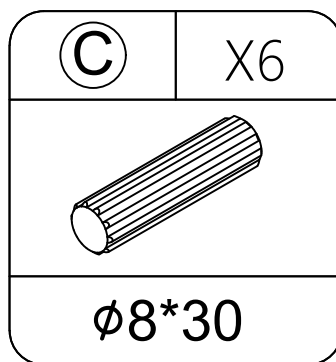
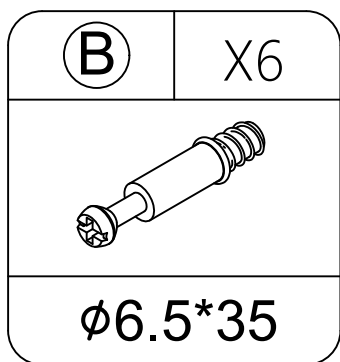
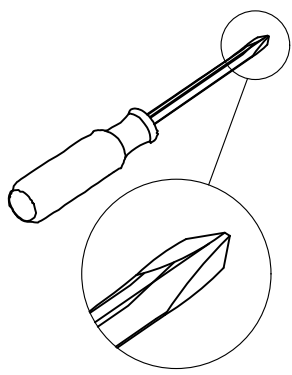


Insert the cam bolt into the hole first, then insert the cam lock and lock it.

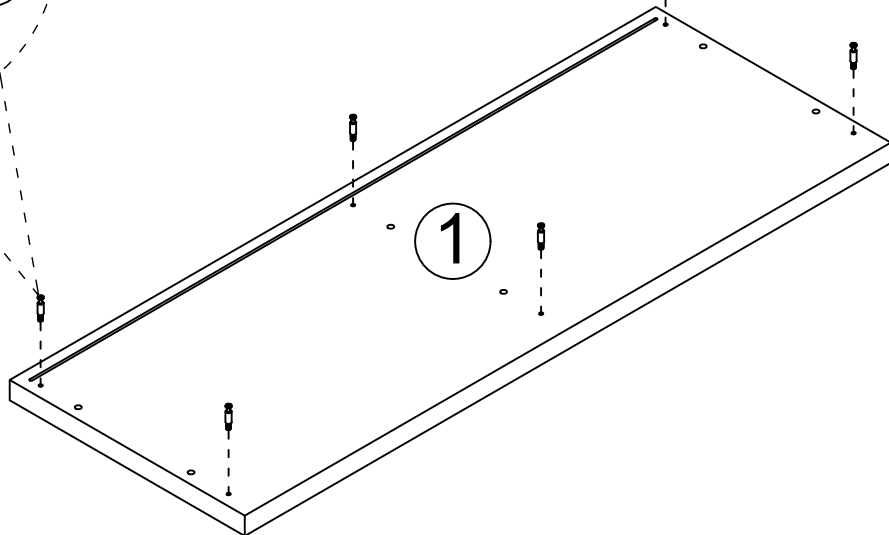


Proper orientation of CAM LOCK

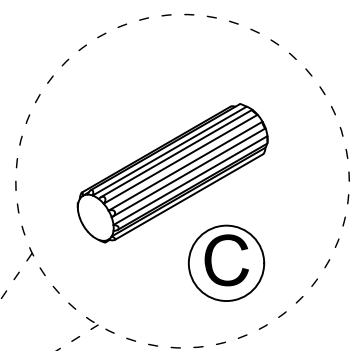
STEP 7



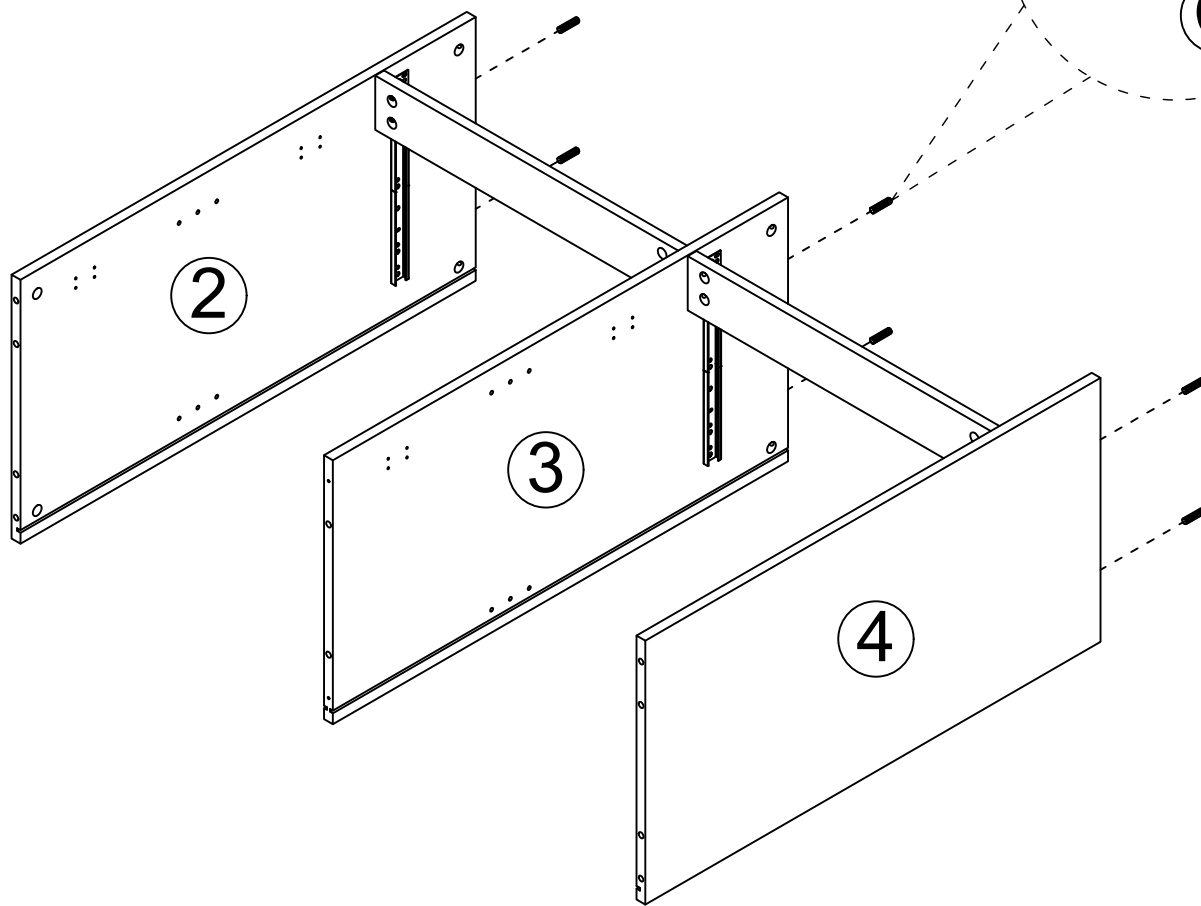
(B)



1



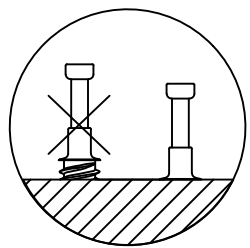
(C)



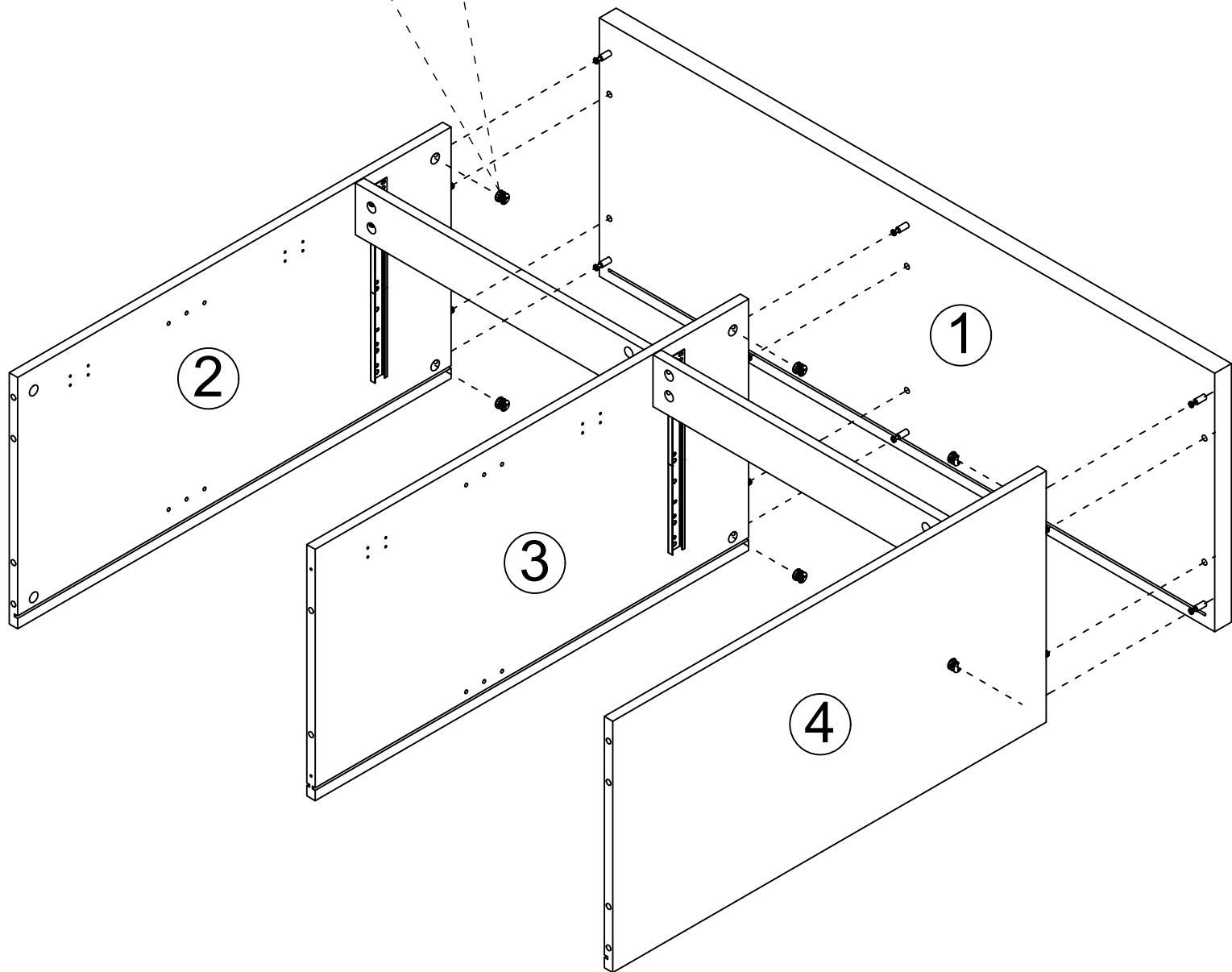
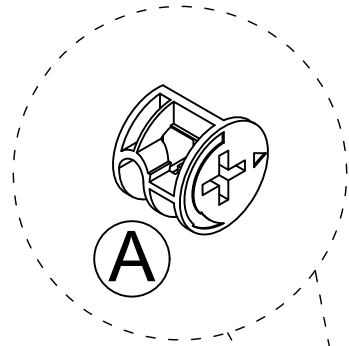
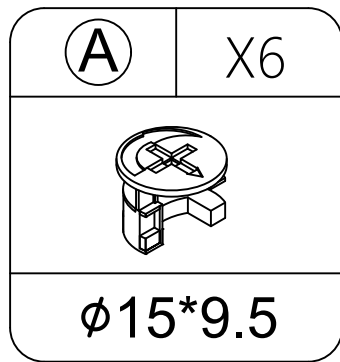
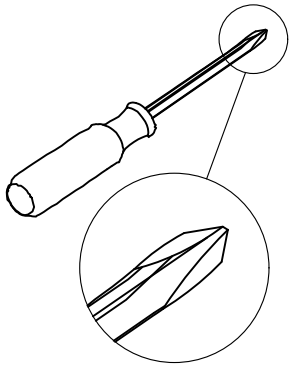
2

3

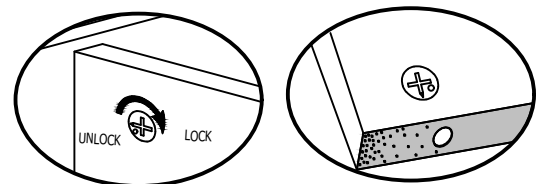
4



STEP 8

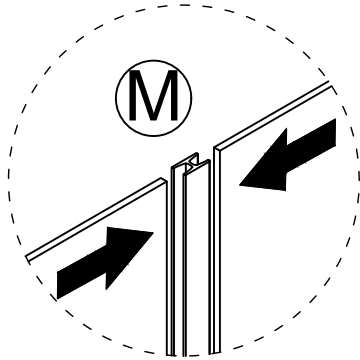
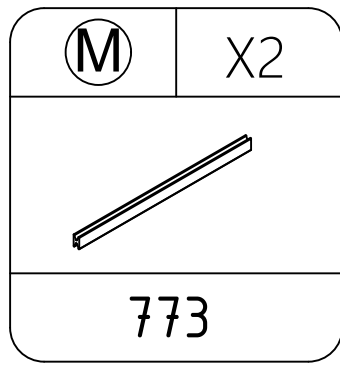


Insert the cam bolt into the hole first, then insert the cam lock and lock it.

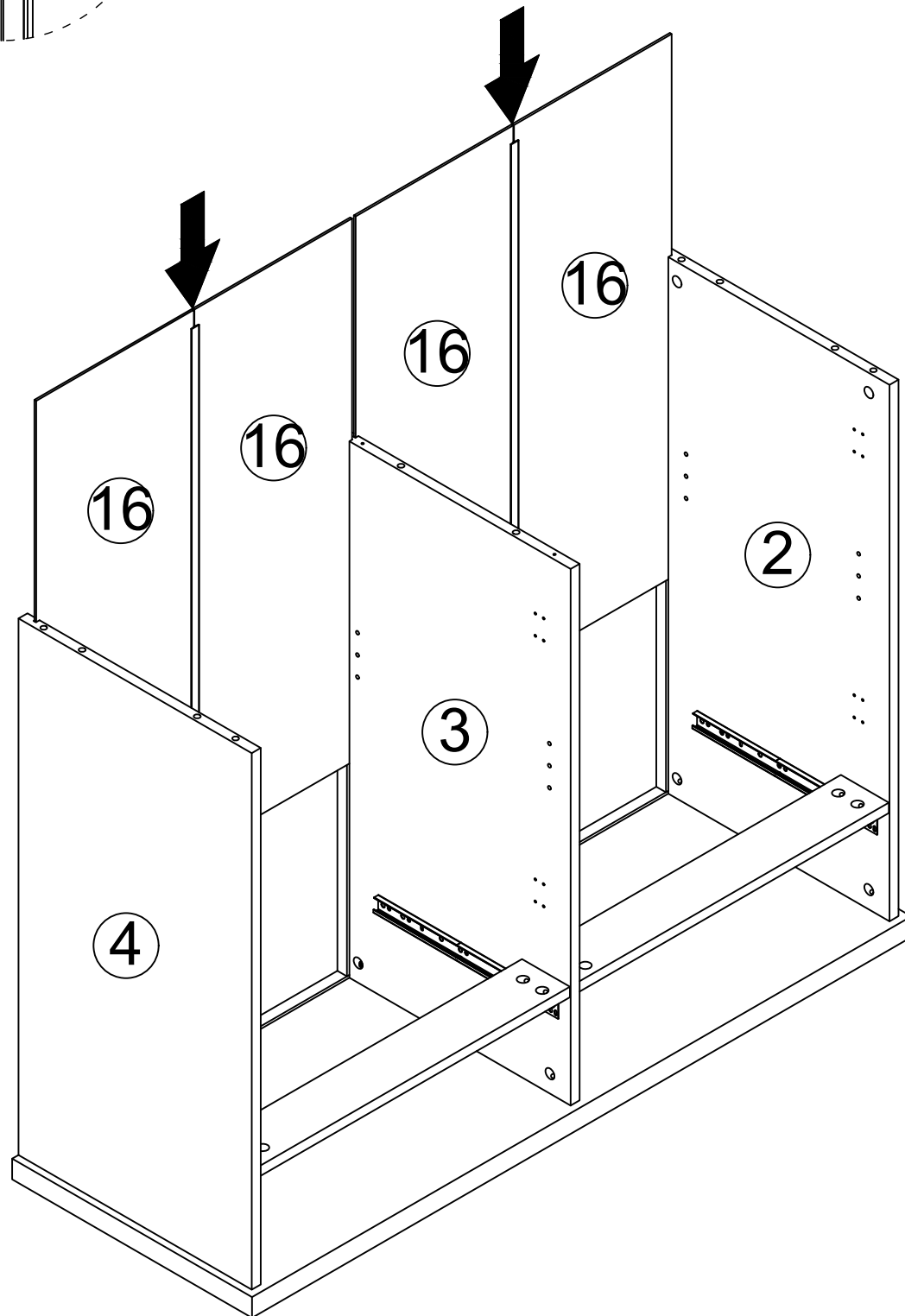


Proper orientation of CAM LOCK

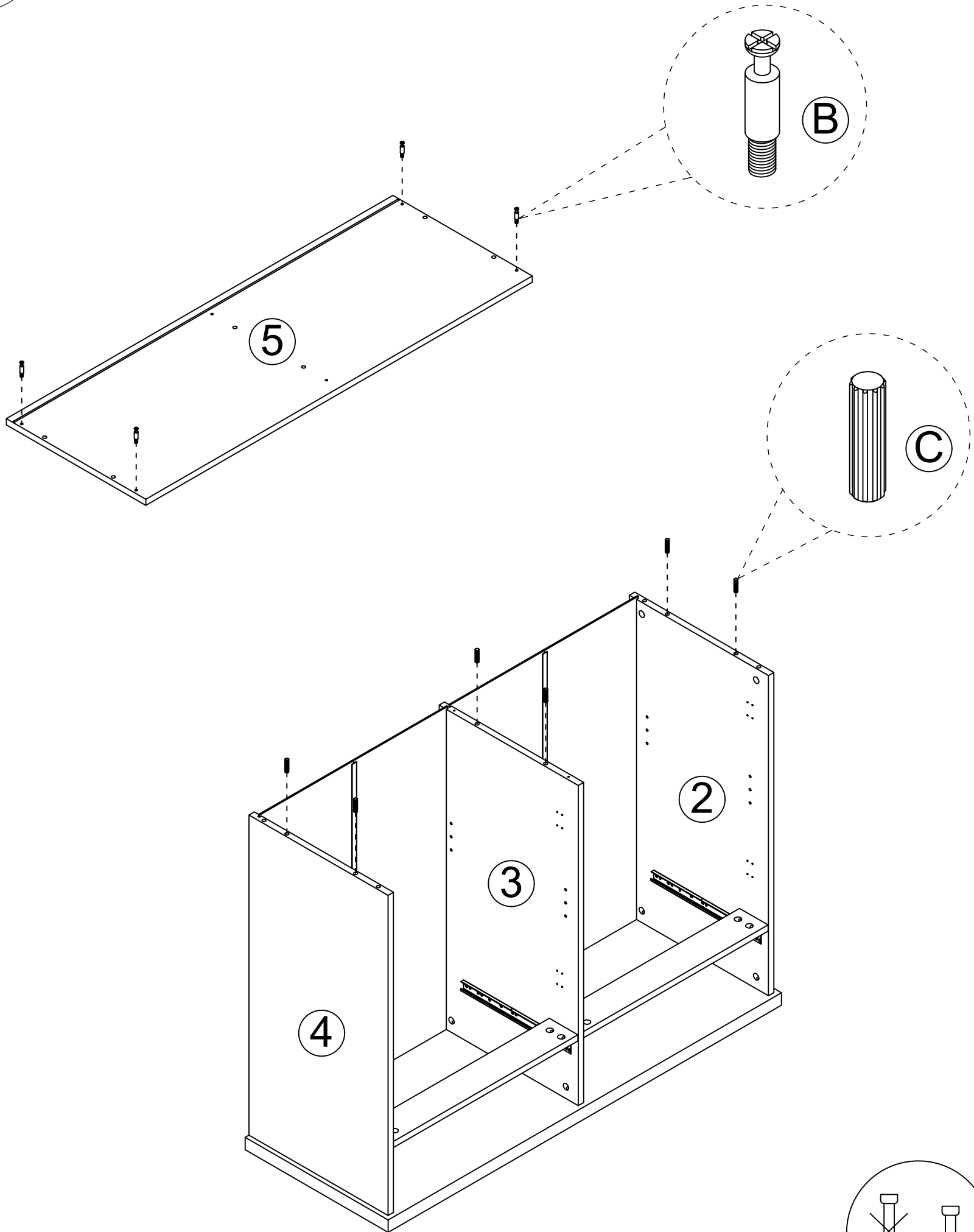
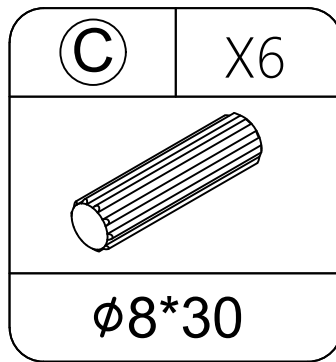
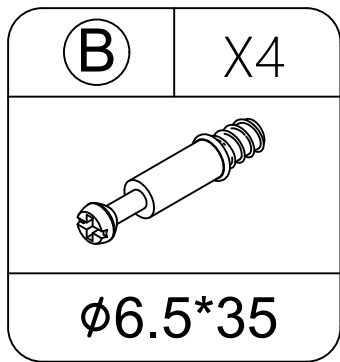
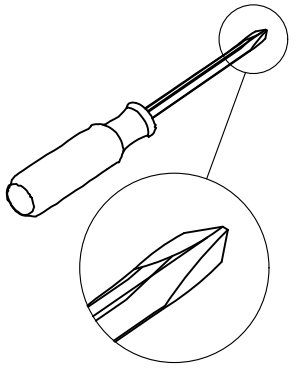
STEP 9



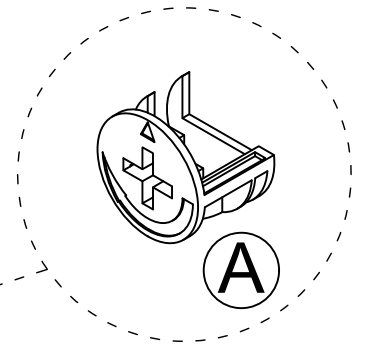
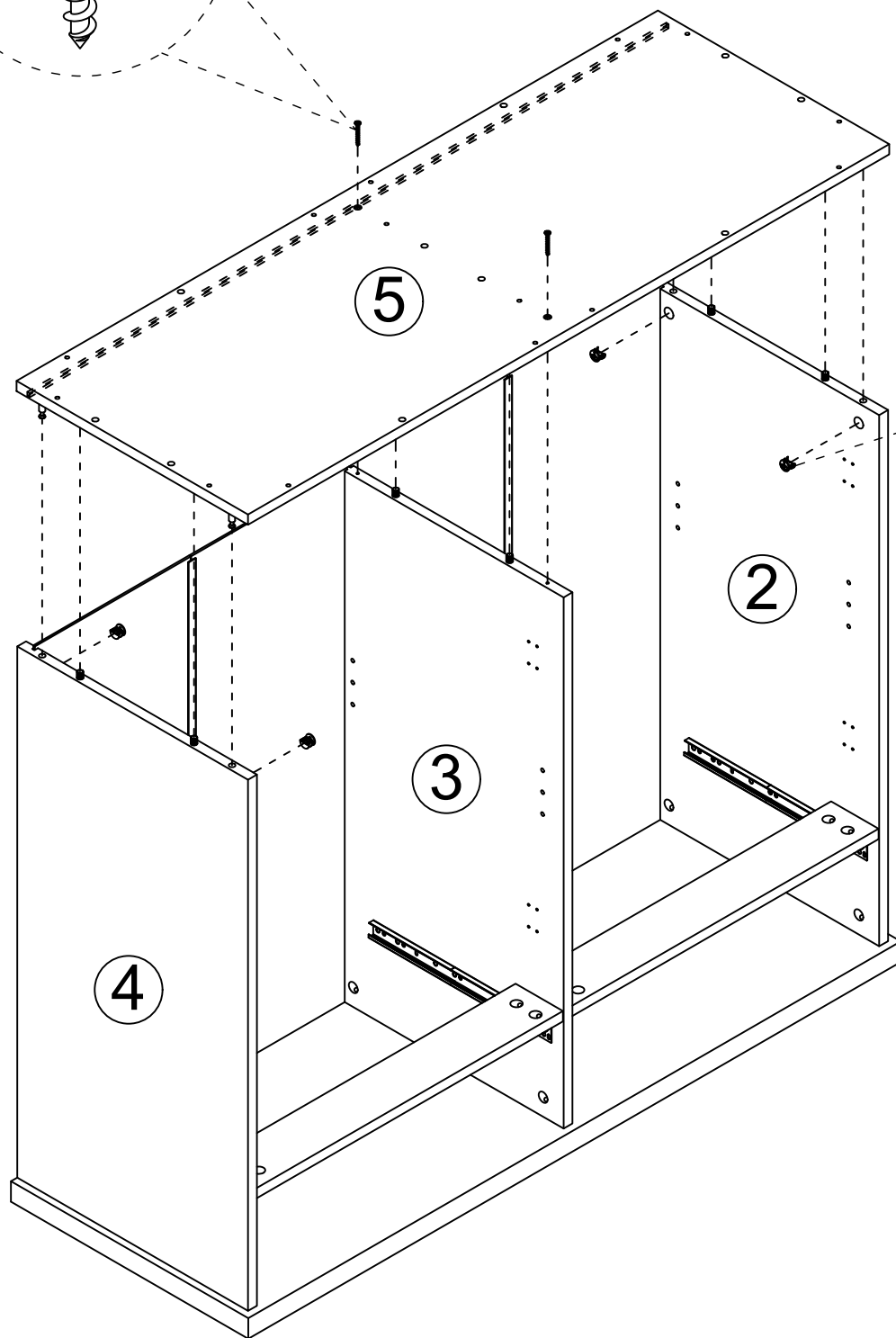
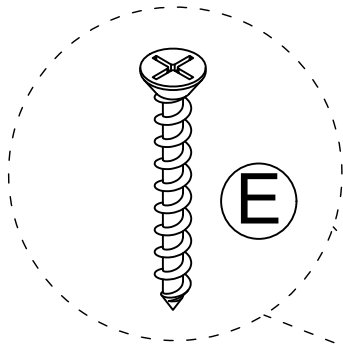
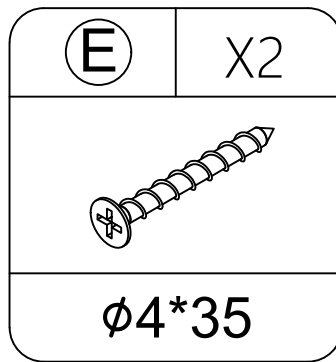
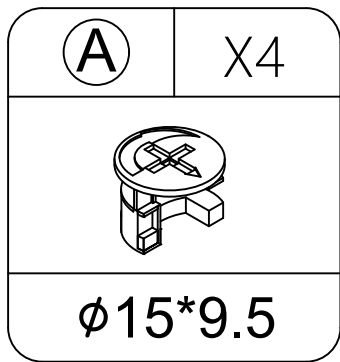
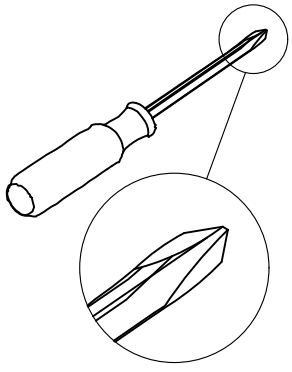
The left and right back panels are connected together with the Accessories M.



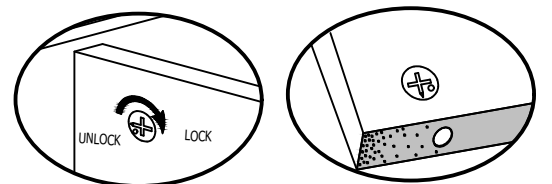
STEP 10



STEP 11

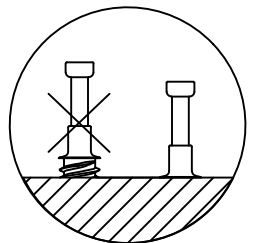
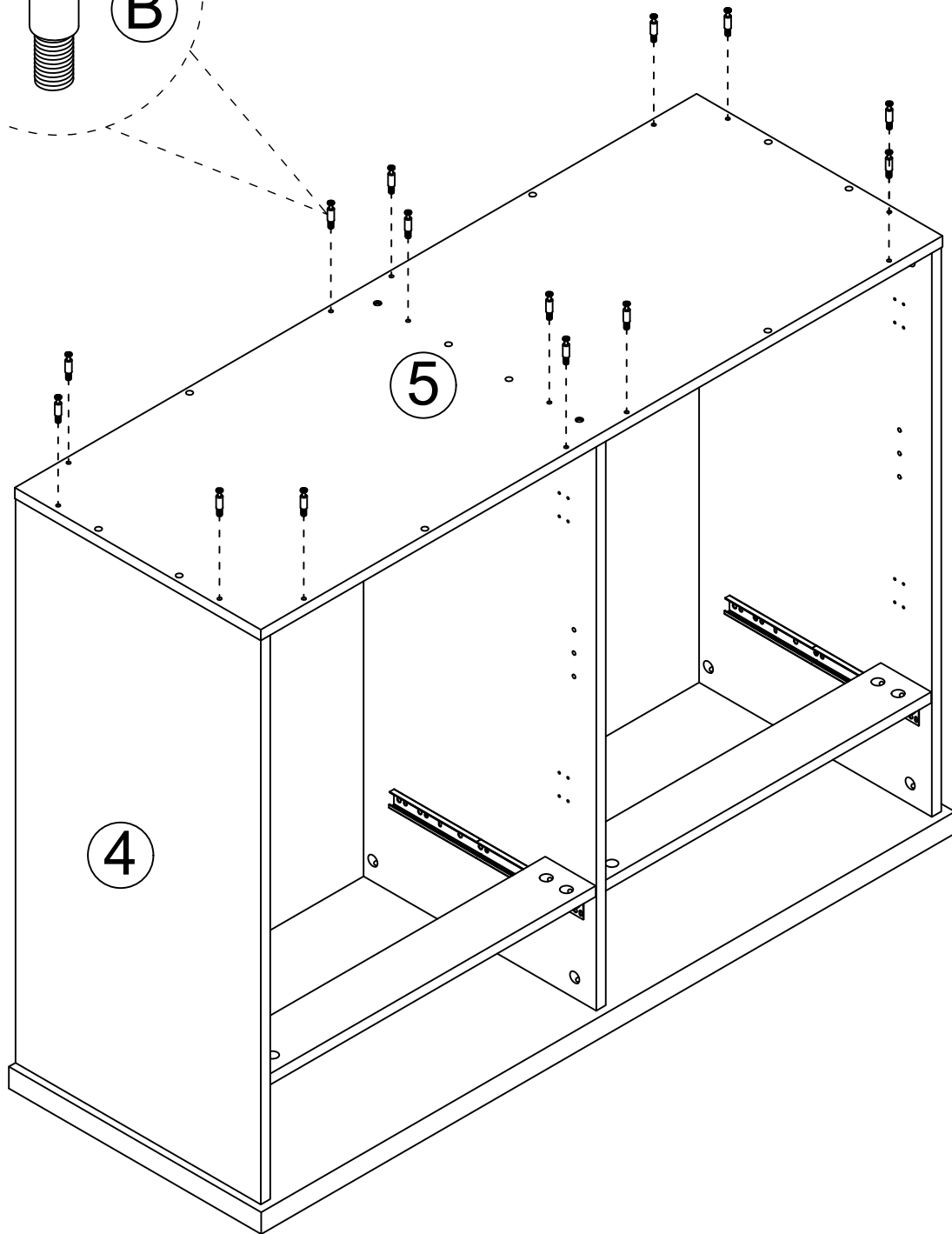
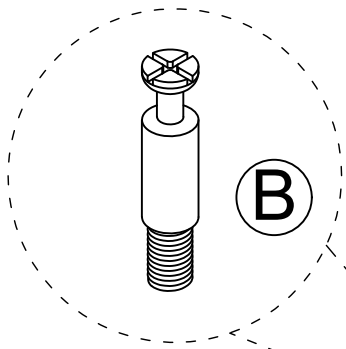
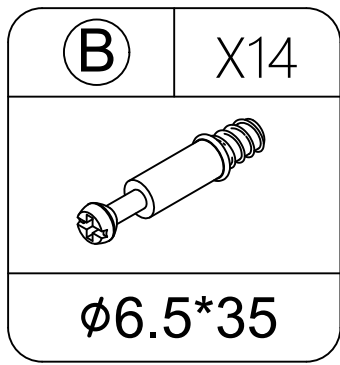
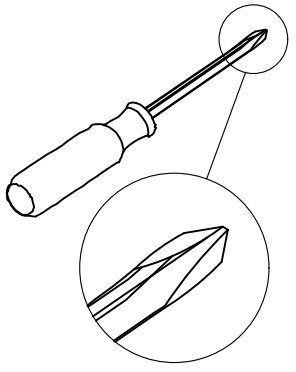


Insert the cam bolt into the hole first, then insert the cam lock and lock it.

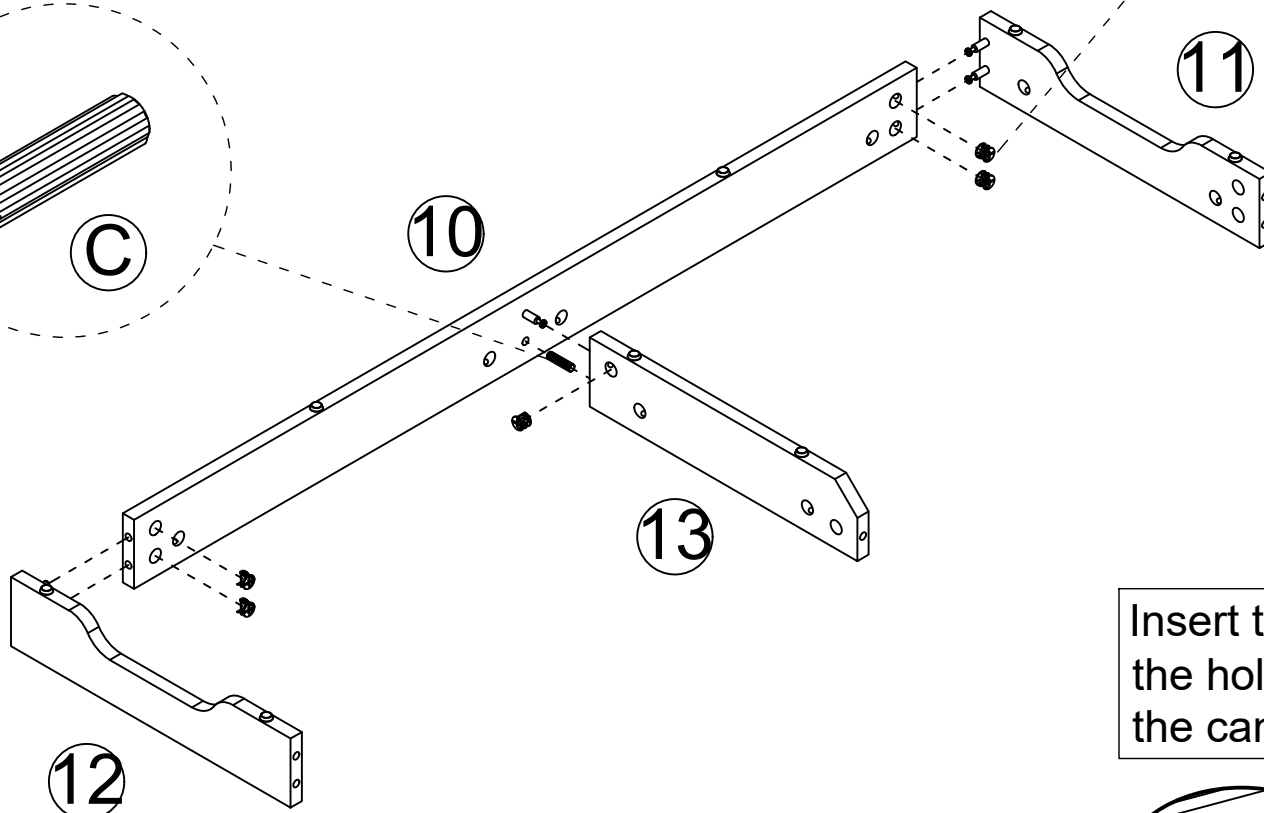
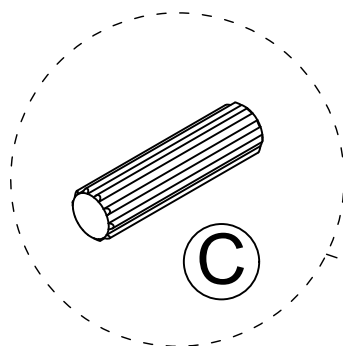
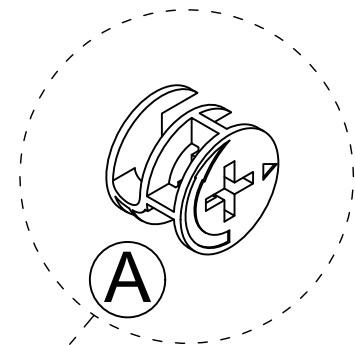
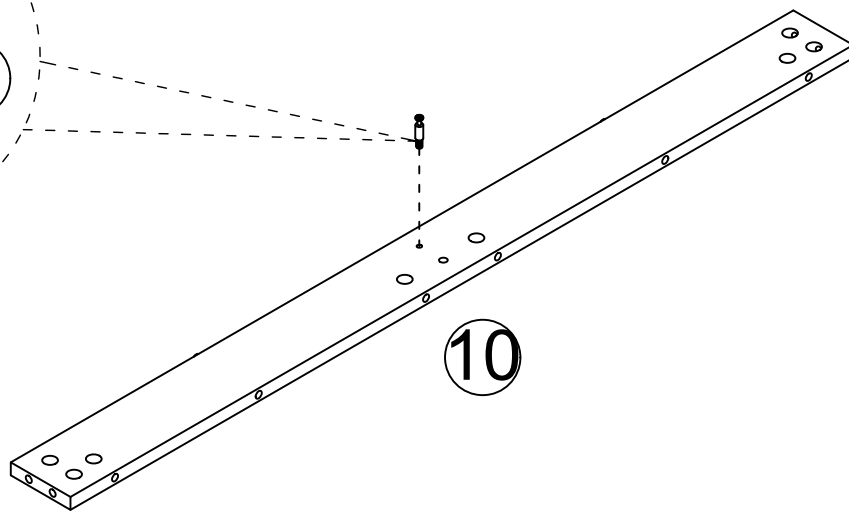
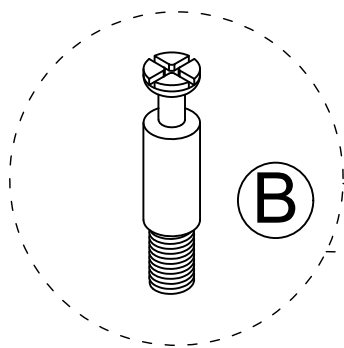
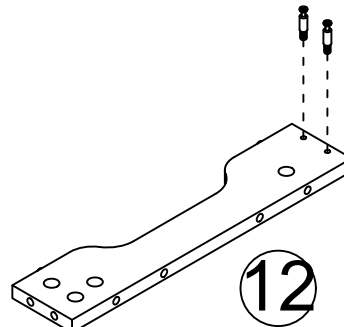
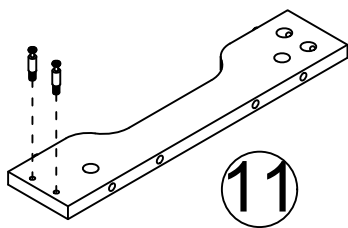
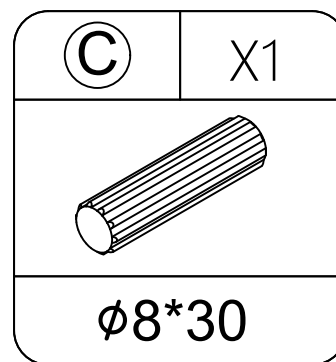
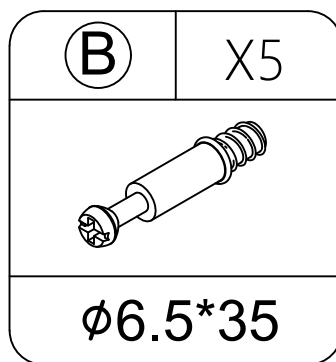
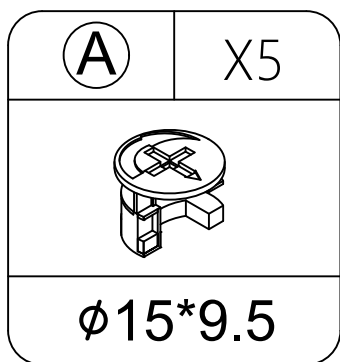
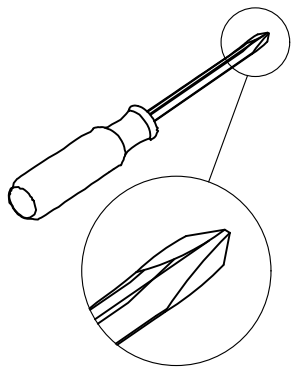


Proper orientation of CAM LOCK

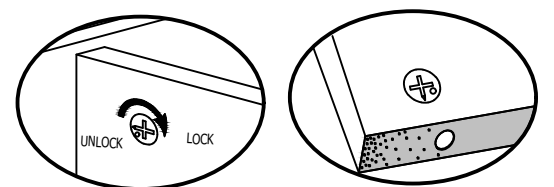
STEP 12



STEP 13

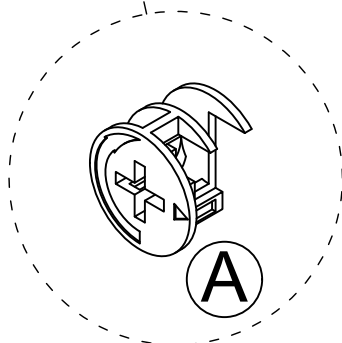
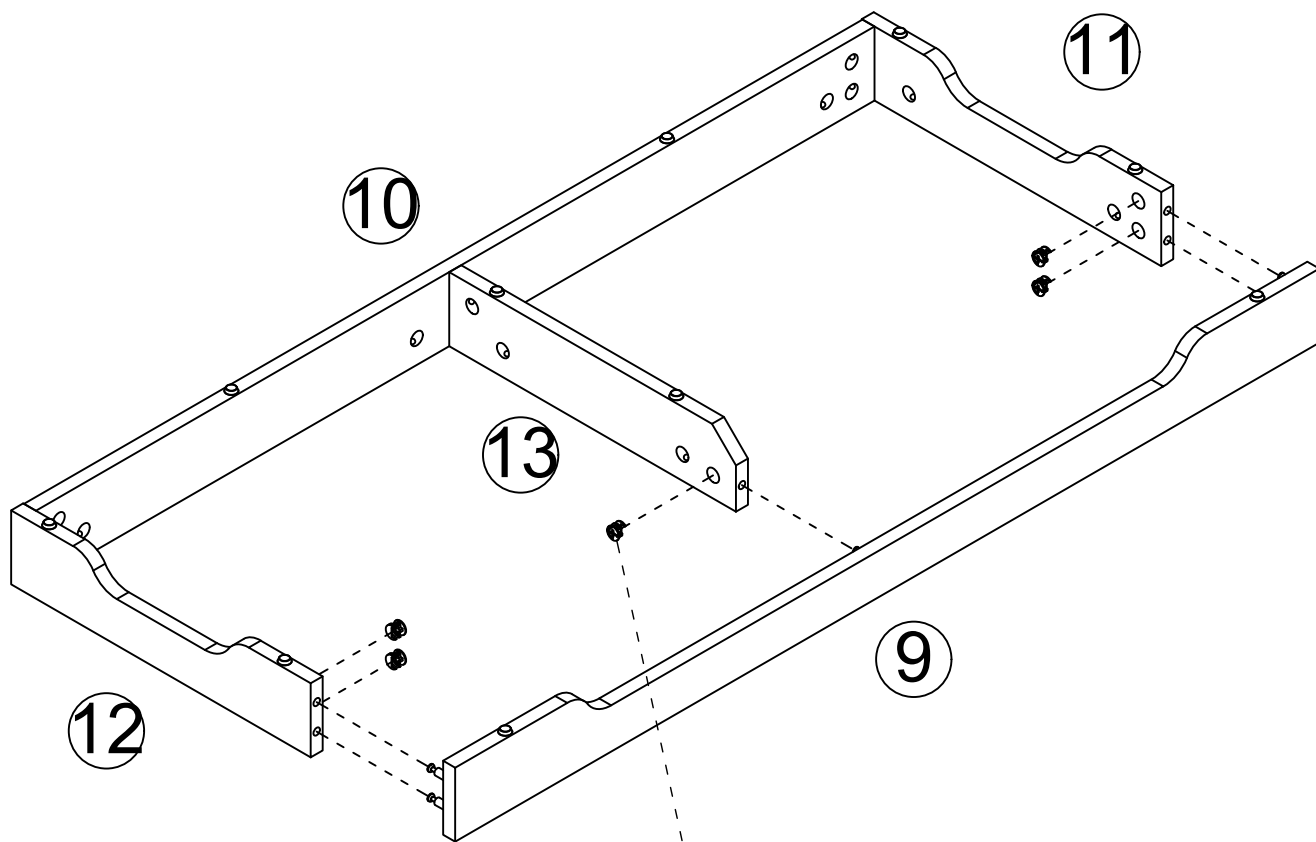
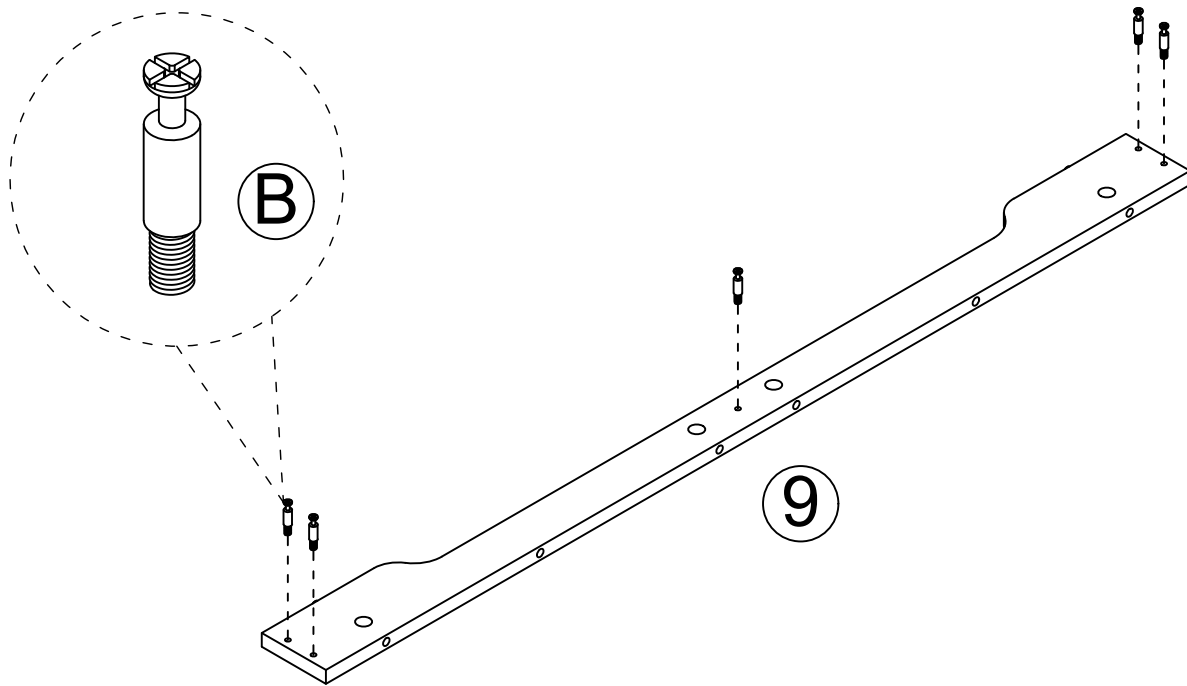
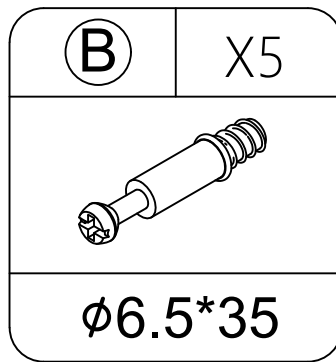
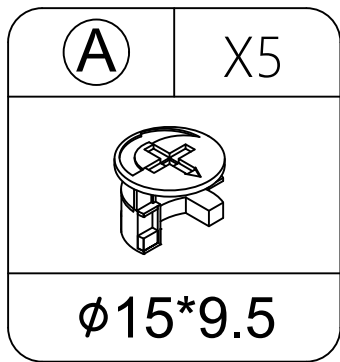
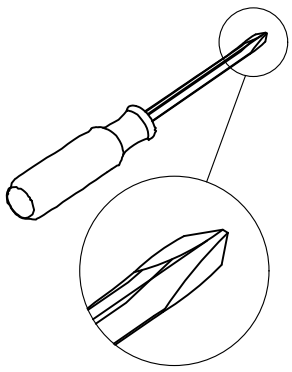


Insert the cam bolt into the hole first, then insert the cam lock and lock it.

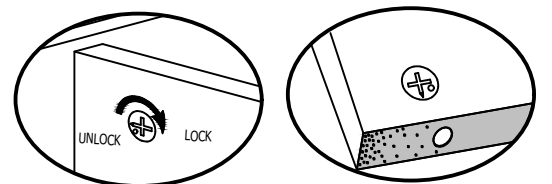


Proper orientation of CAM LOCK

STEP 14

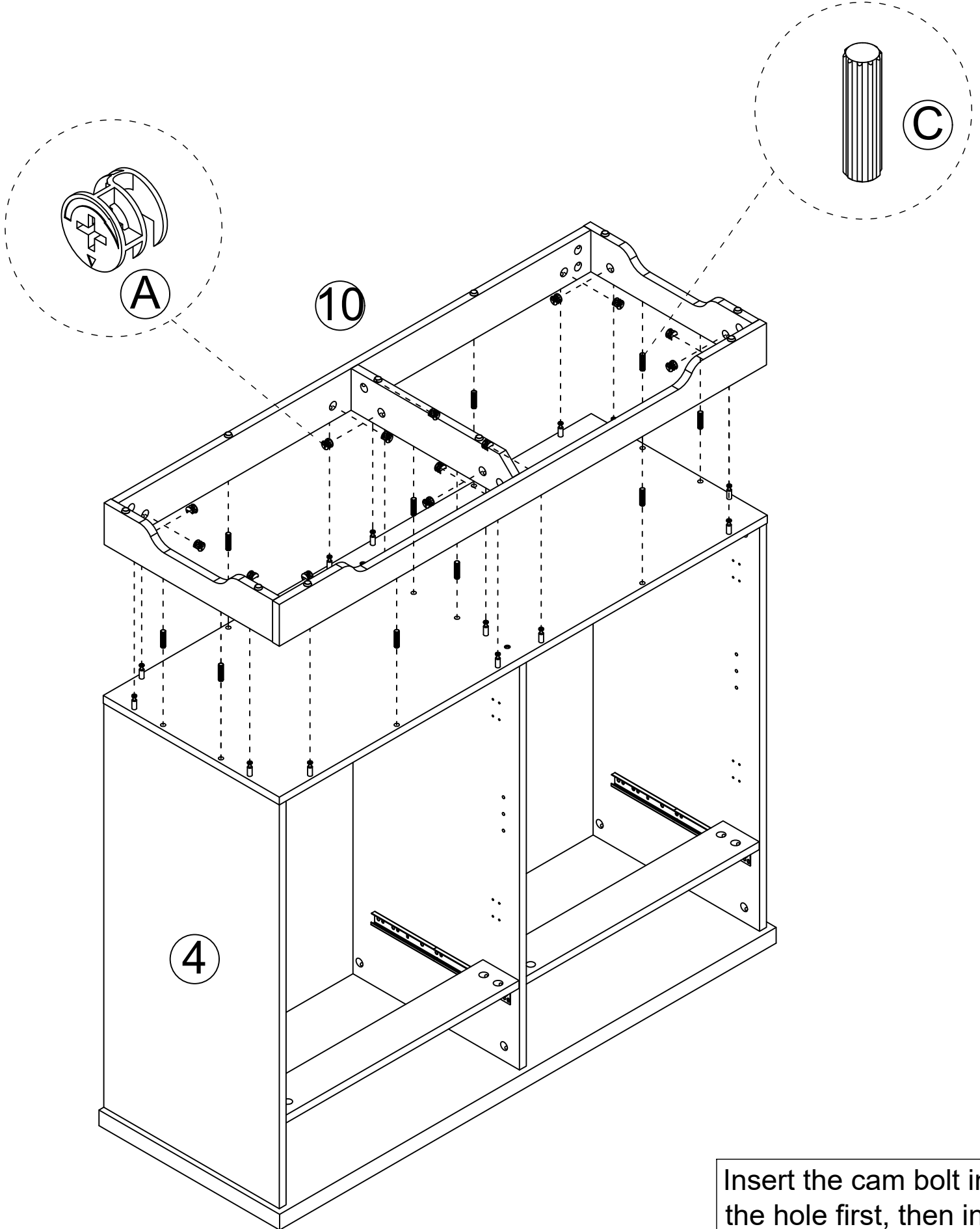
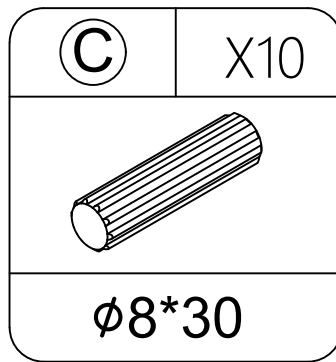
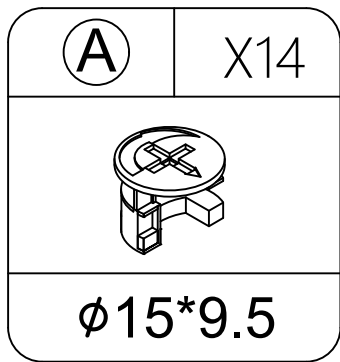
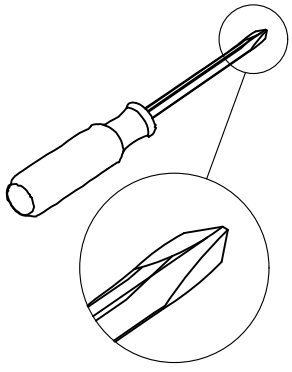


Insert the cam bolt into the hole first, then insert the cam lock and lock it.

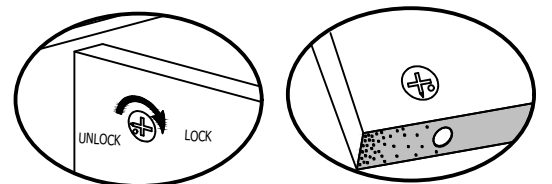


Proper orientation of CAM LOCK

STEP 15

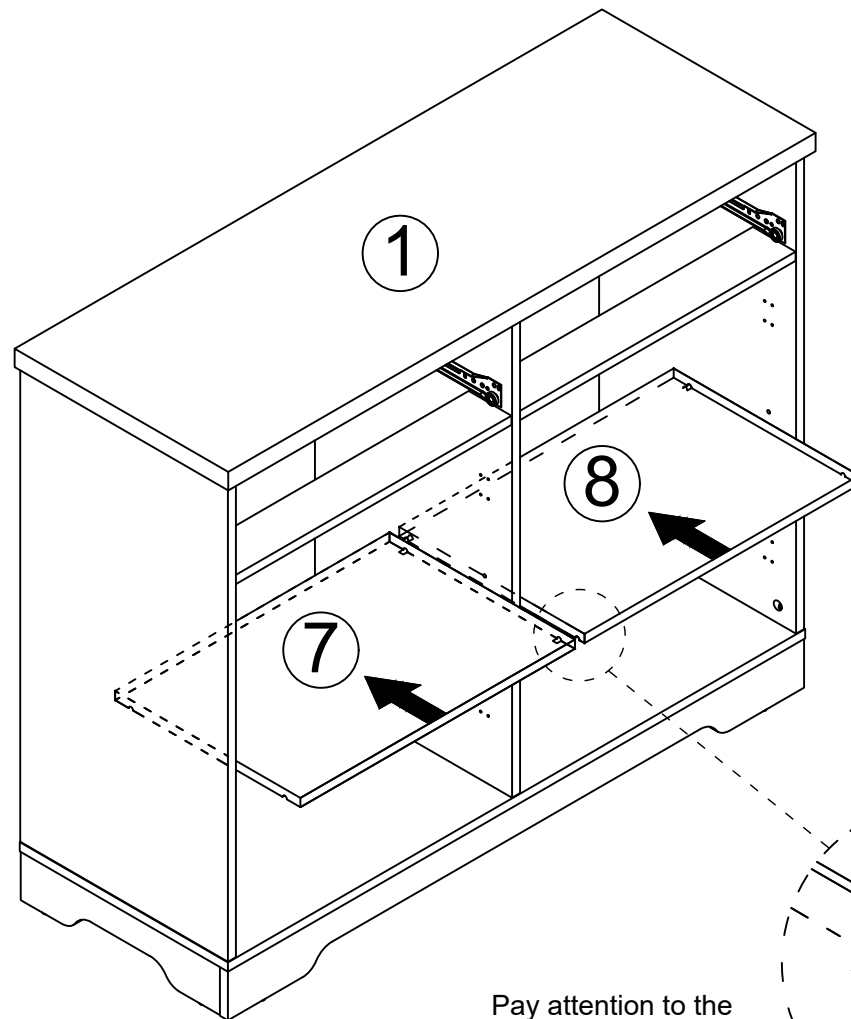
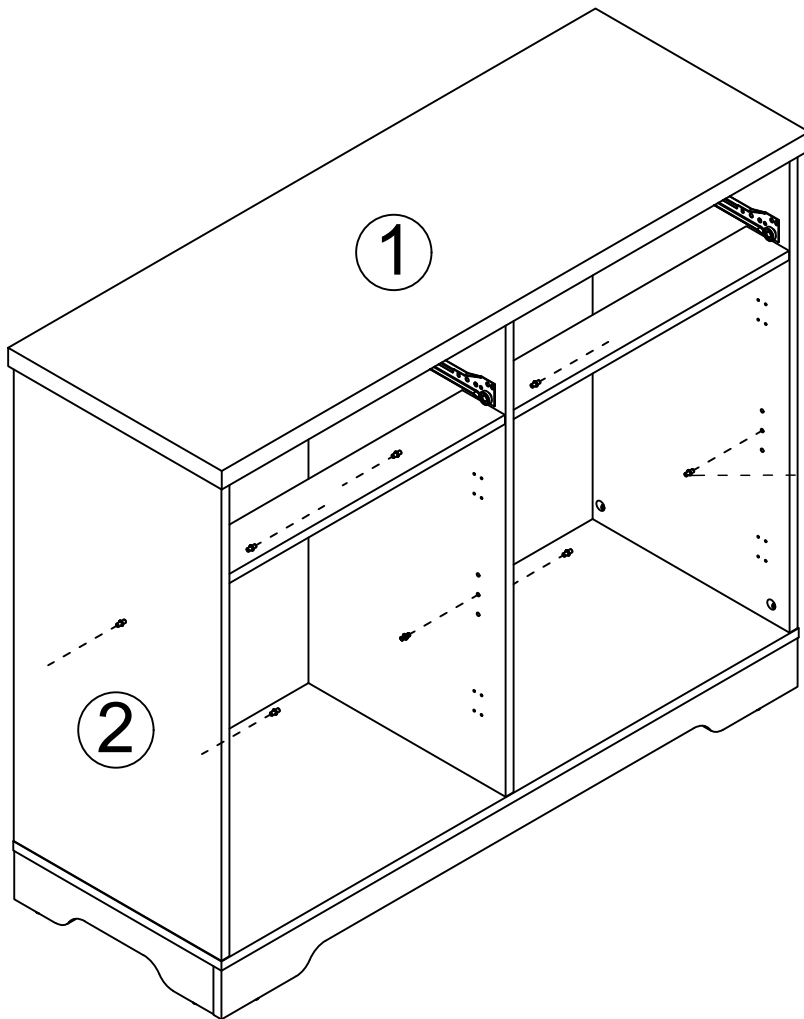
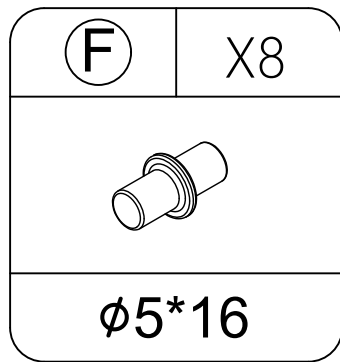
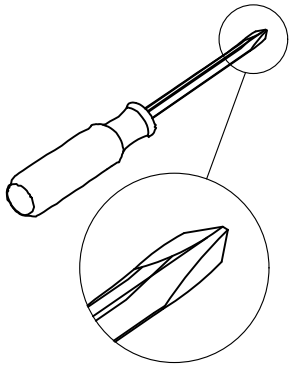


Insert the cam bolt into the hole first, then insert the cam lock and lock it.



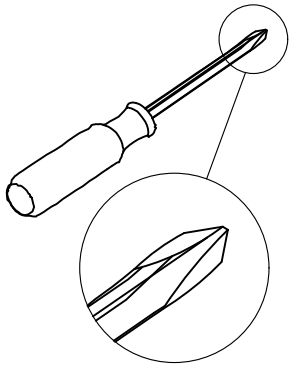
Proper orientation of CAM LOCK

STEP 16



Pay attention to the hole spacing

STEP 17

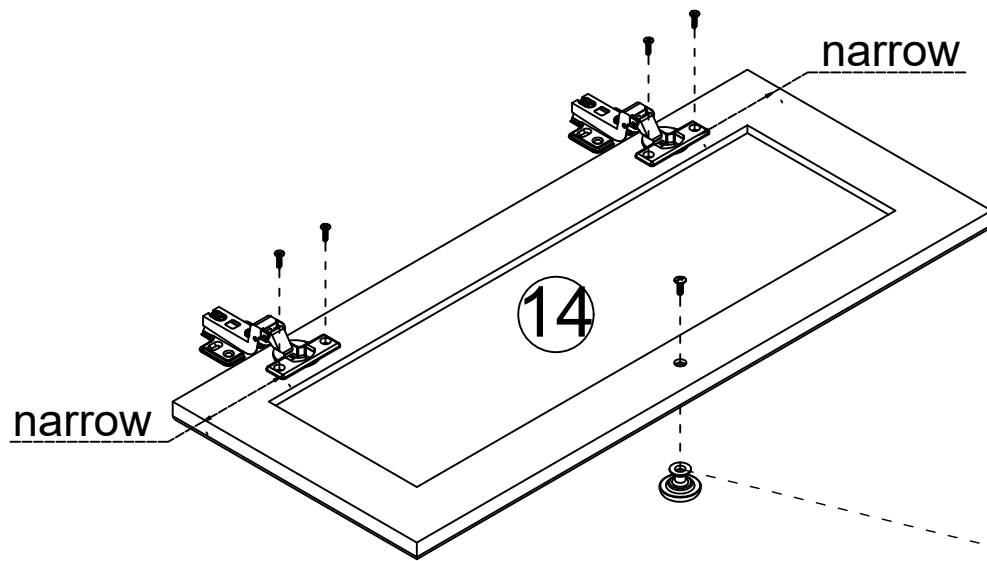


Ⓓ	X16
ø3.5*14	

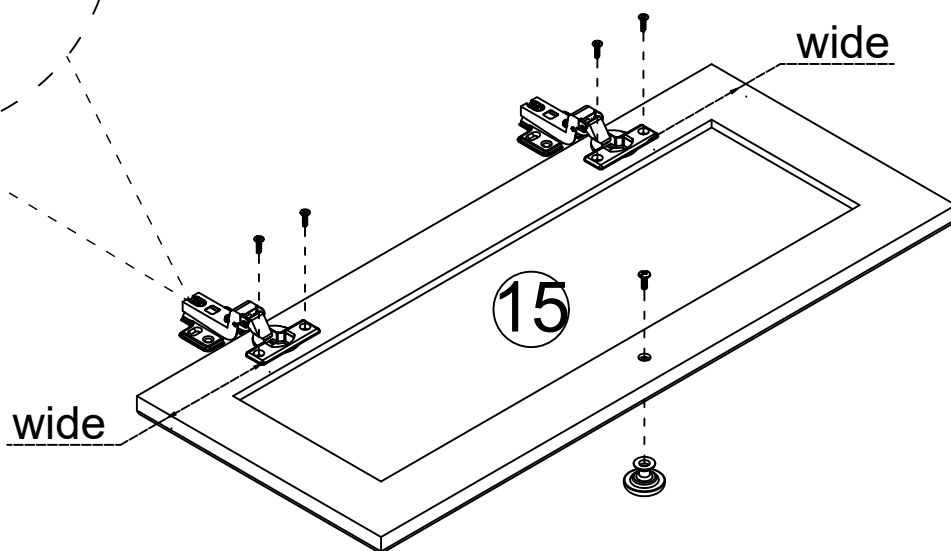
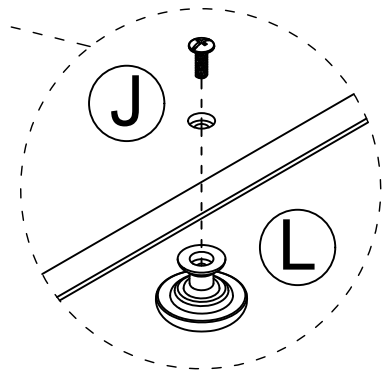
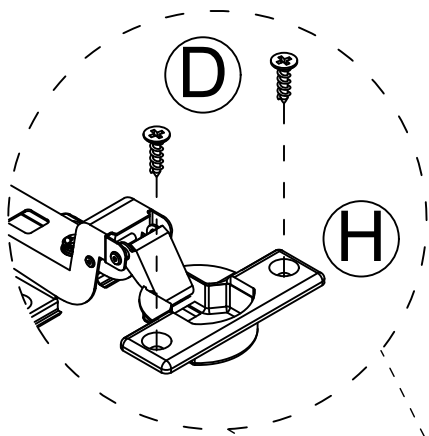
Ⓗ	X8
ø35	

Ⓙ	X4
M4*18	

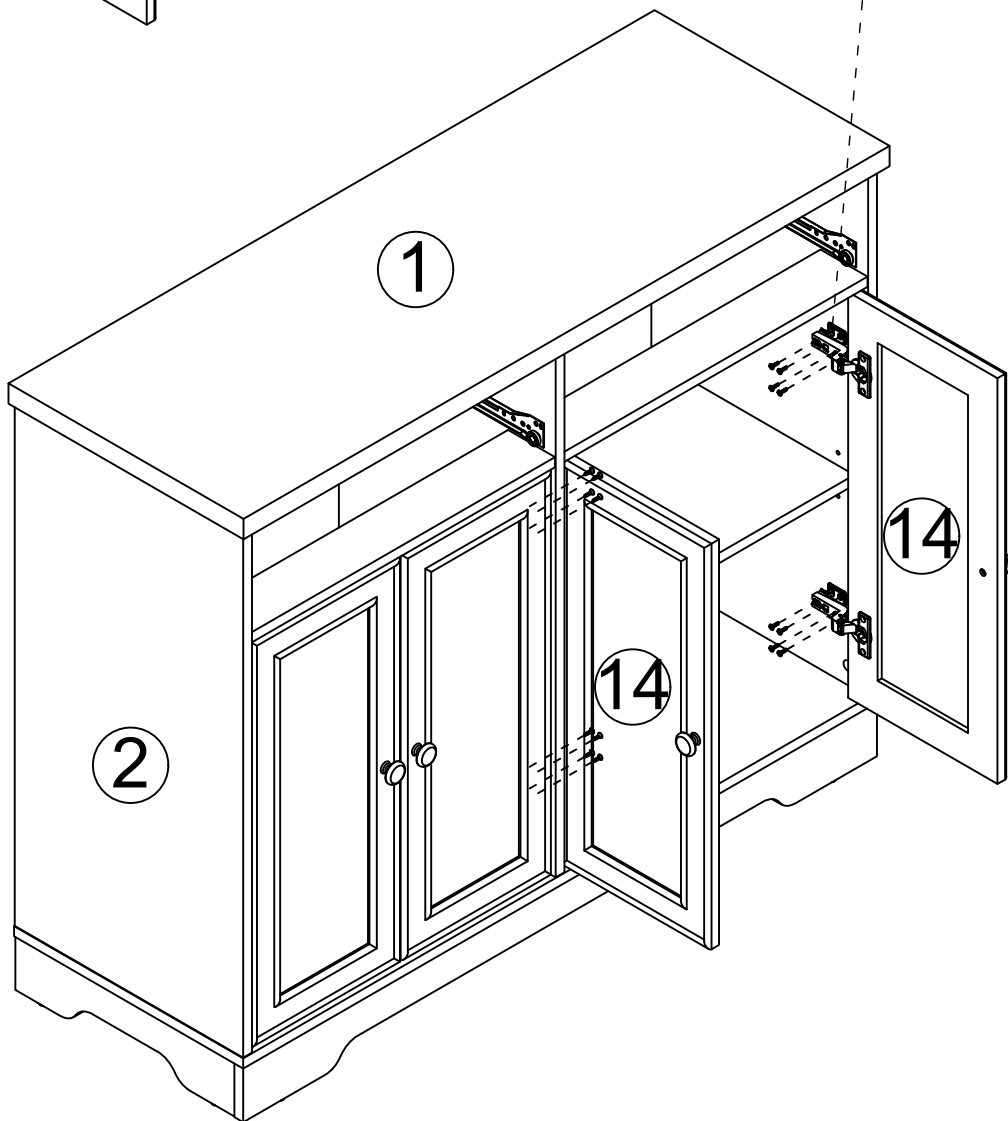
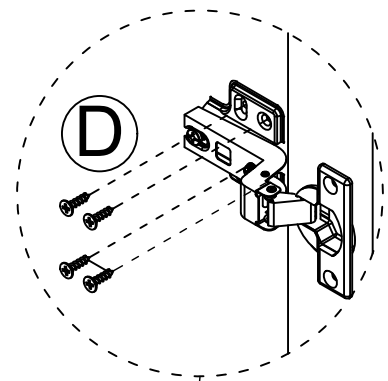
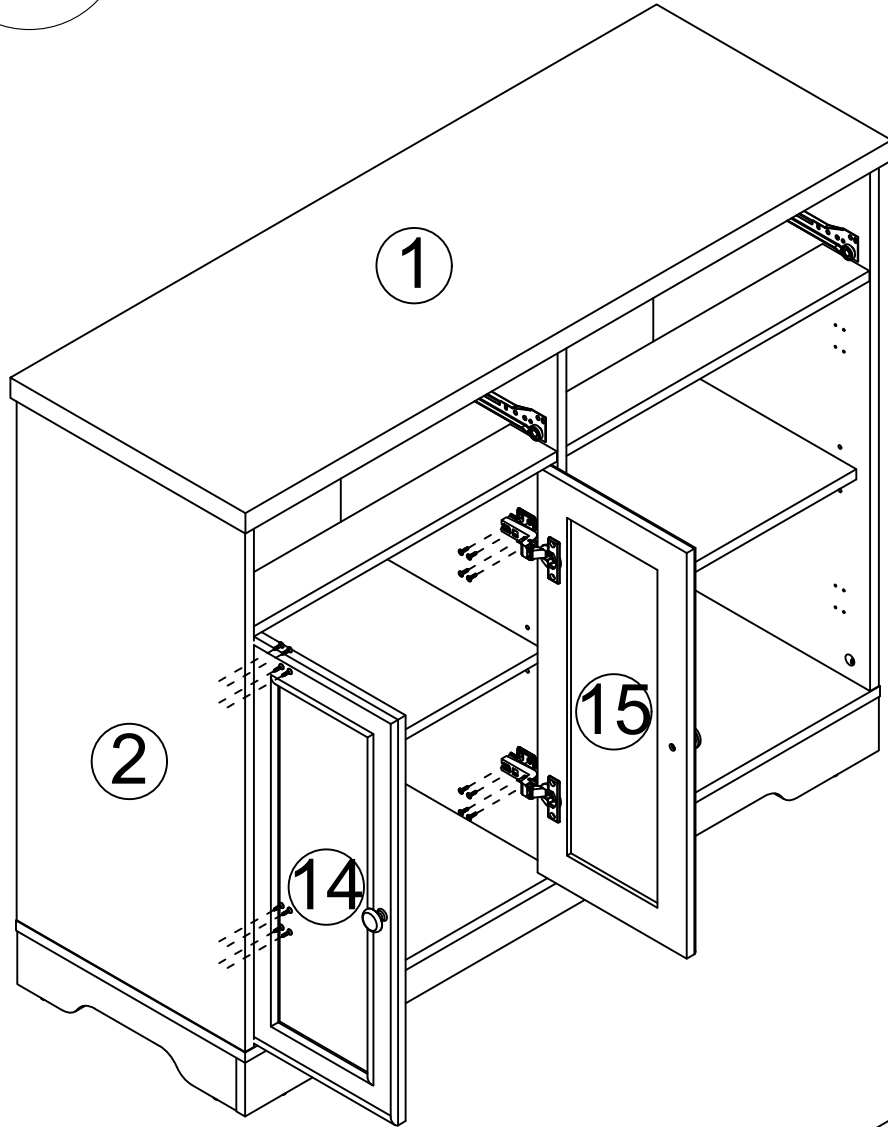
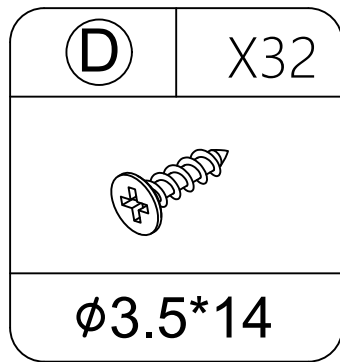
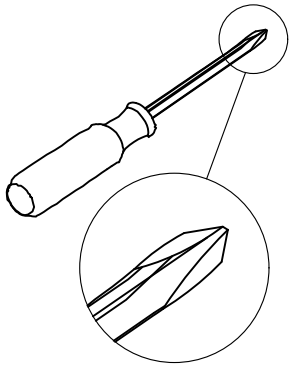
Ⓛ	X4
37(ø22)*28	



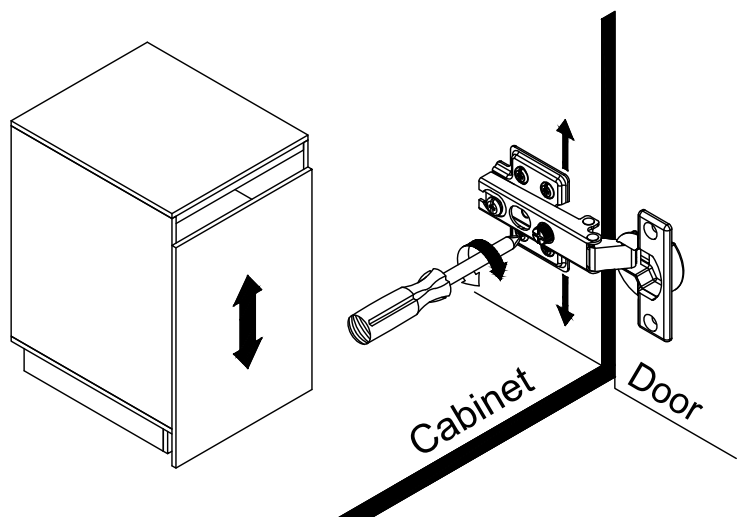
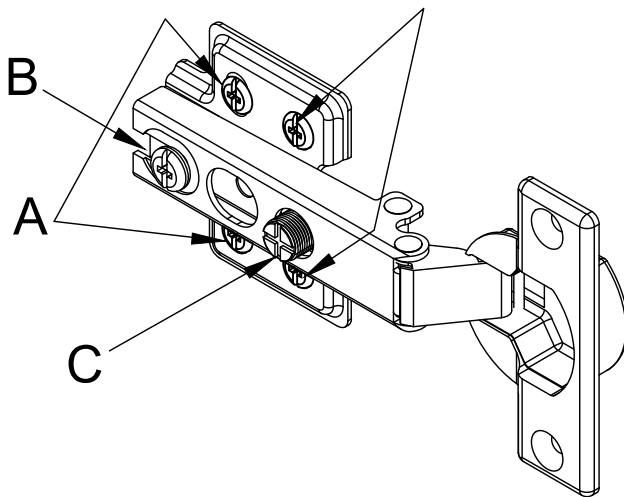
X3



STEP 18

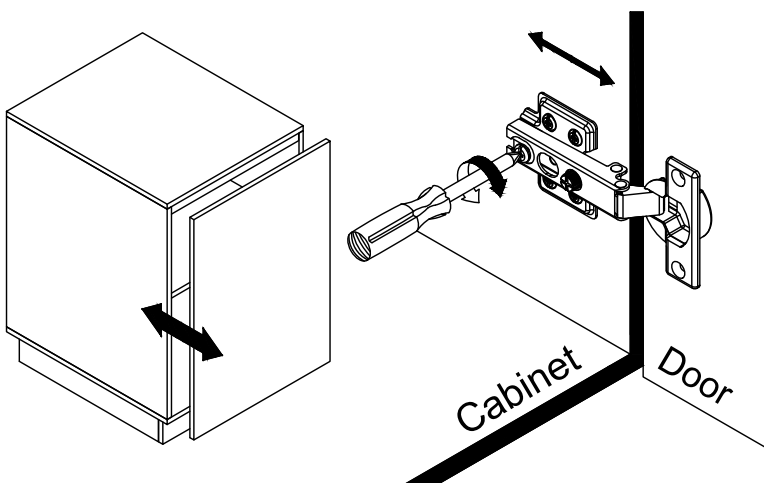


STEP 19



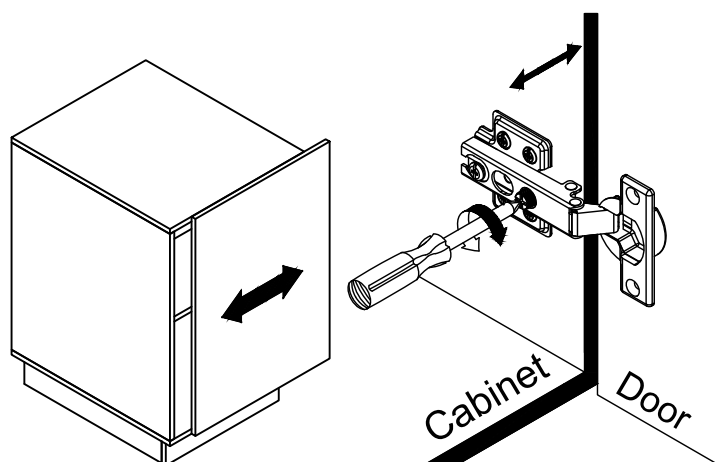
[How to adjust vertical height of the door]

- First remove the 2 screws "A+" on the hinge .
- Then loosen the 2 screws "A" on the hinge so that it can be adjusted up or down a few millimeters.
- Then tighten "A" and reinstall "A+".



[How to adjust depth of the door]

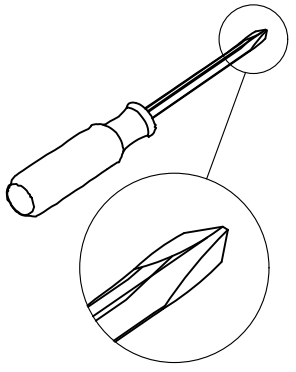
- Loosen screw "B" and adjust the depth of the door.
- If screw "B" is loose, the depth of the door still cannot be adjusted. Simply loosen the screw "C" slightly to adjust the position of the door forward and backward.
- After adjusting the position, tighten screw "B" last.

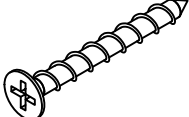


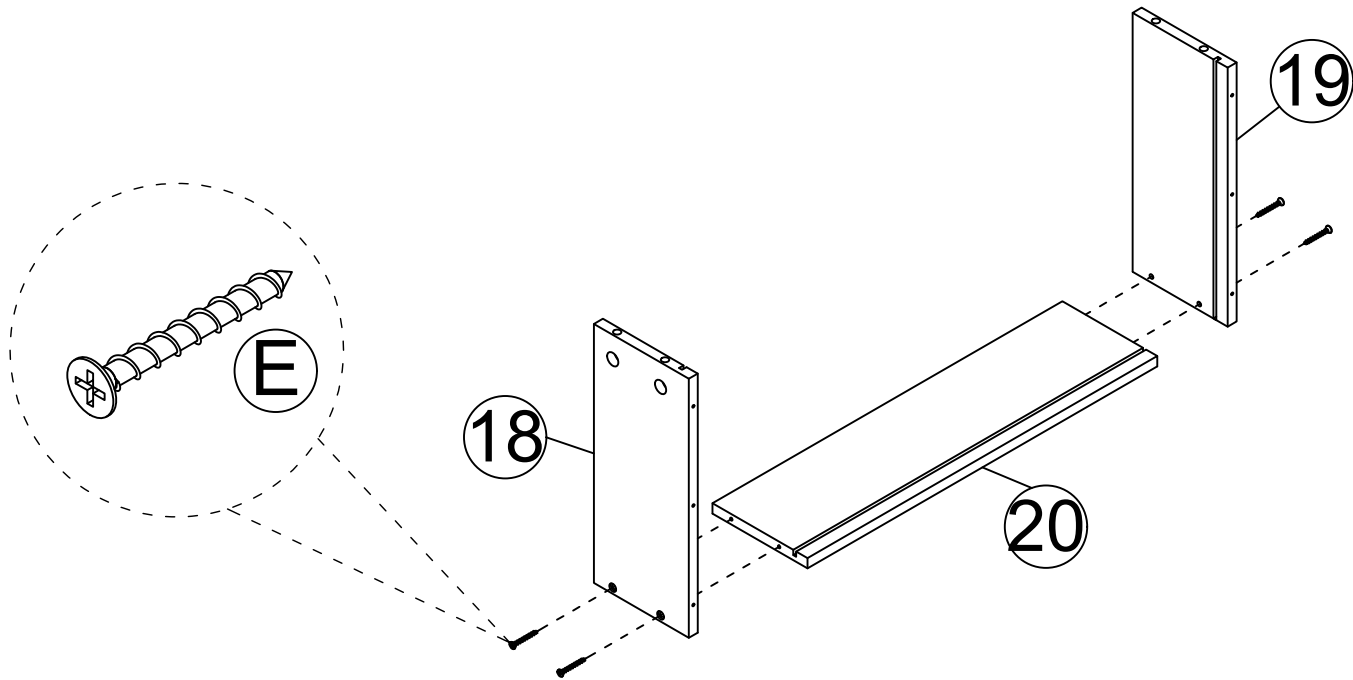
[How to adjust the level of the door]

- Turn screw "C" on hinge to adjust the level of the door.

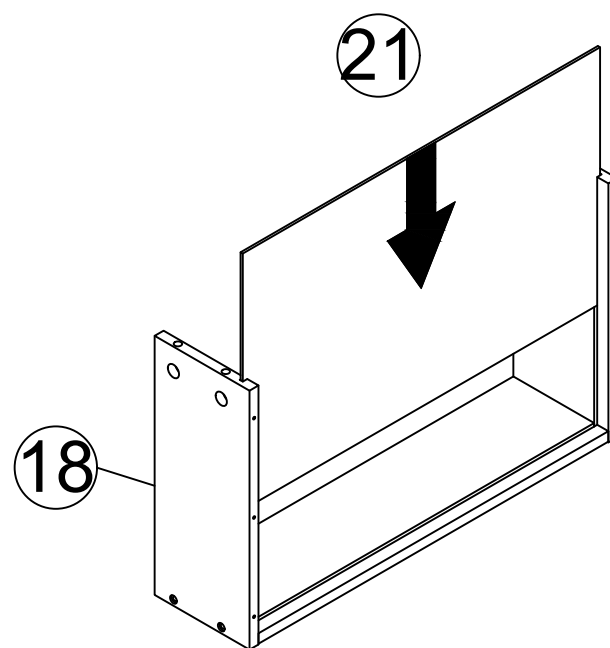
STEP 20



Ⓔ	X8
	
ø4*35	

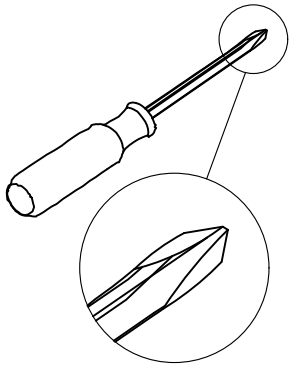


X2



X2

STEP 21

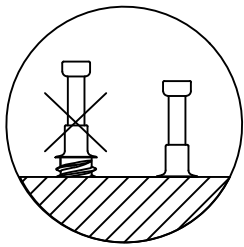
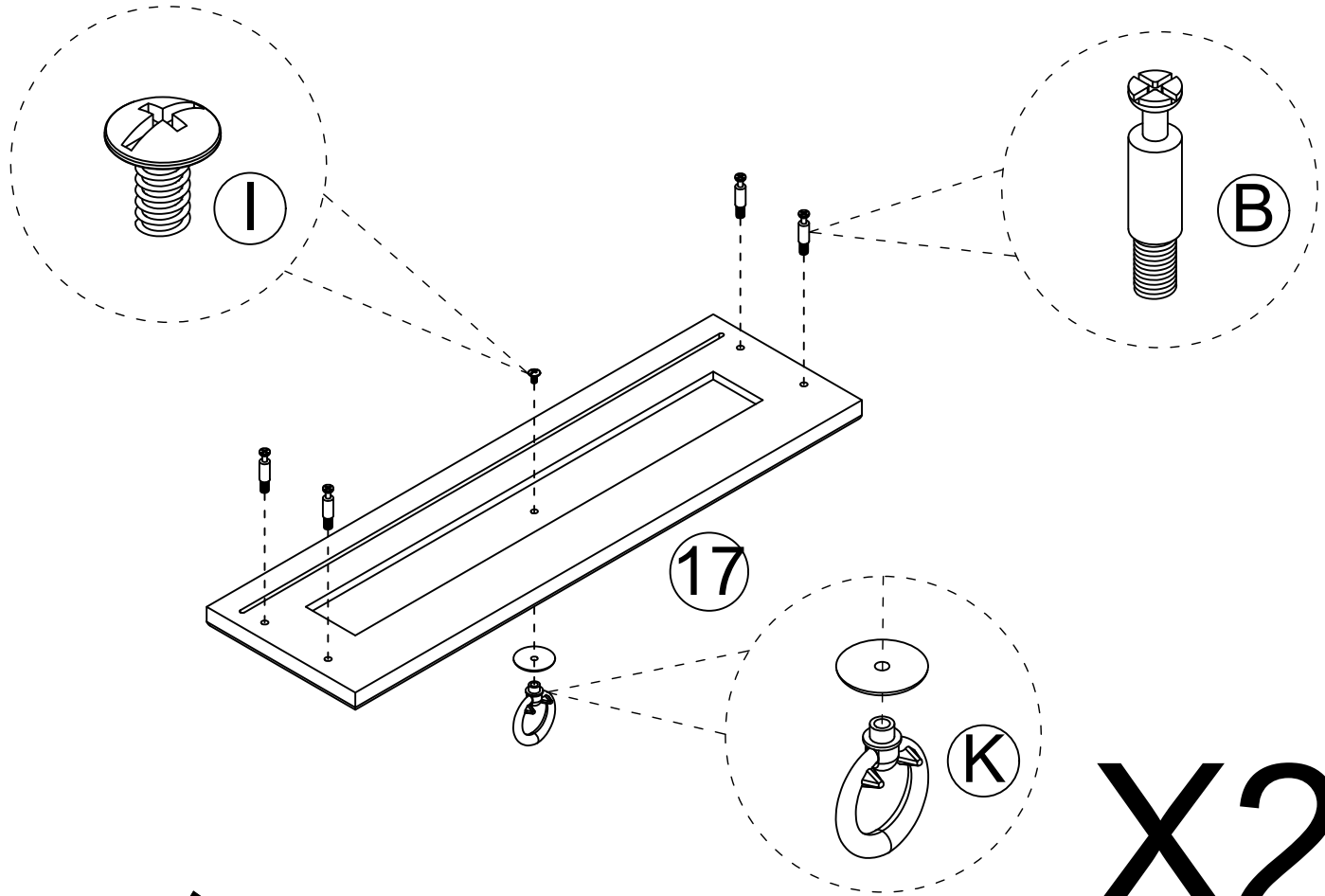


A	X8
ø15*9.5	

B	X8
ø6.5*35	

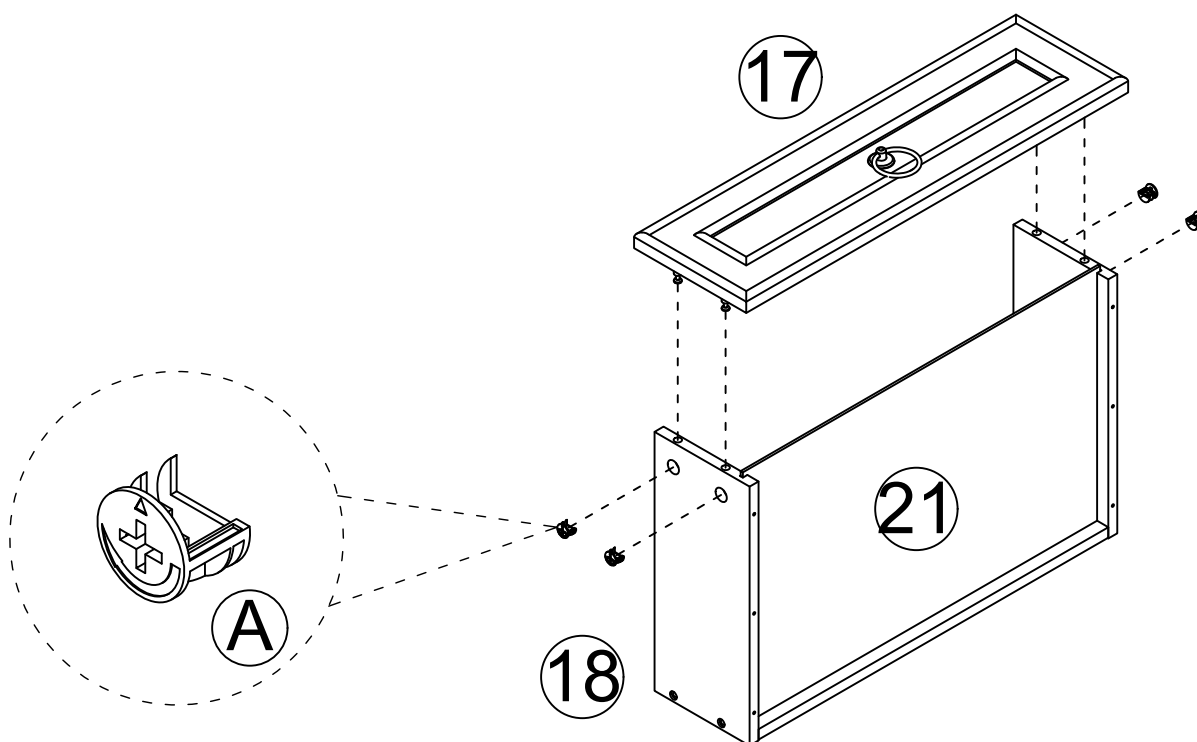
I	X2
M4*8	

K	X2
ø32*48	



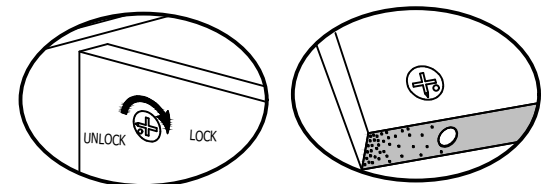
X2

FLIP OVER



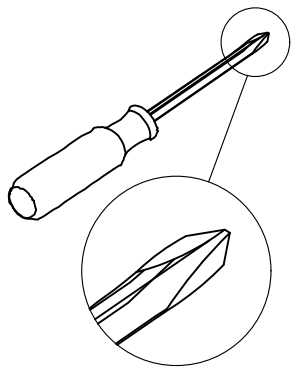
X2

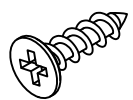
Insert the cam bolt into the hole first, then insert the cam lock and lock it.

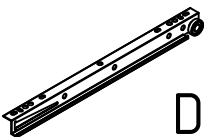


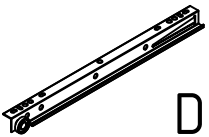
Proper orientation of CAM LOCK

STEP 22

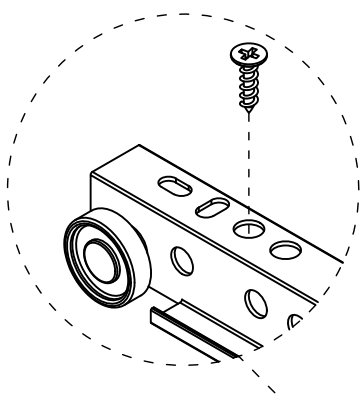


(D)	X12
	
$\phi 3.5 \times 14$	

(G)	X2
	DL
L=300	

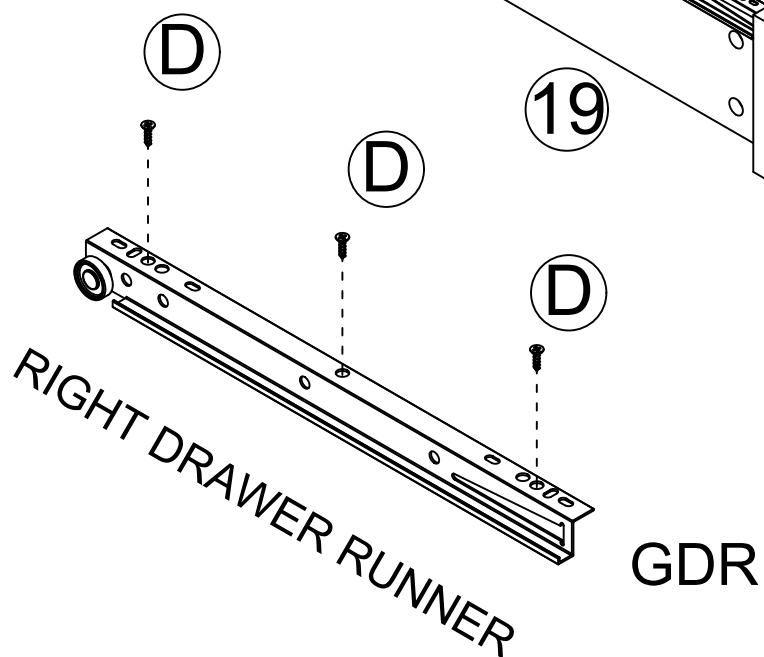
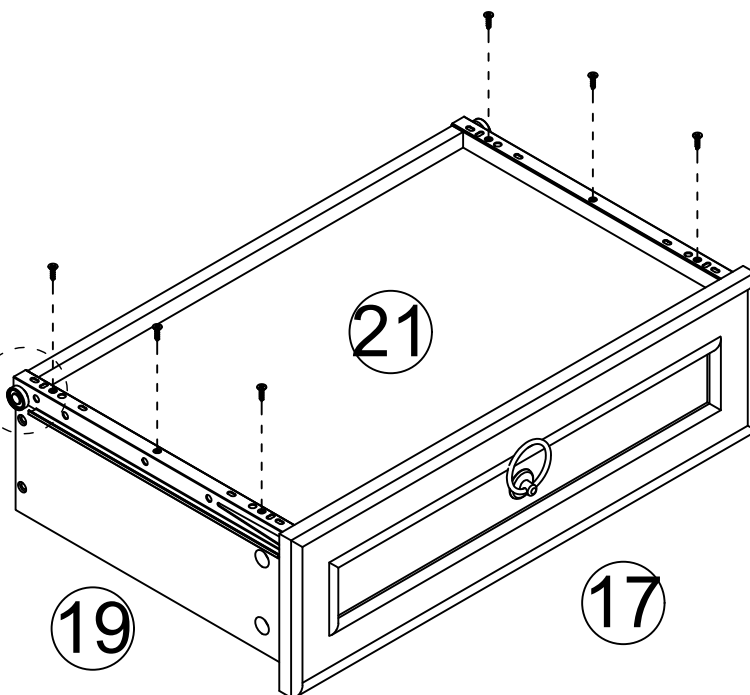
(G)	X2
	DR
L=300	

Third Hole



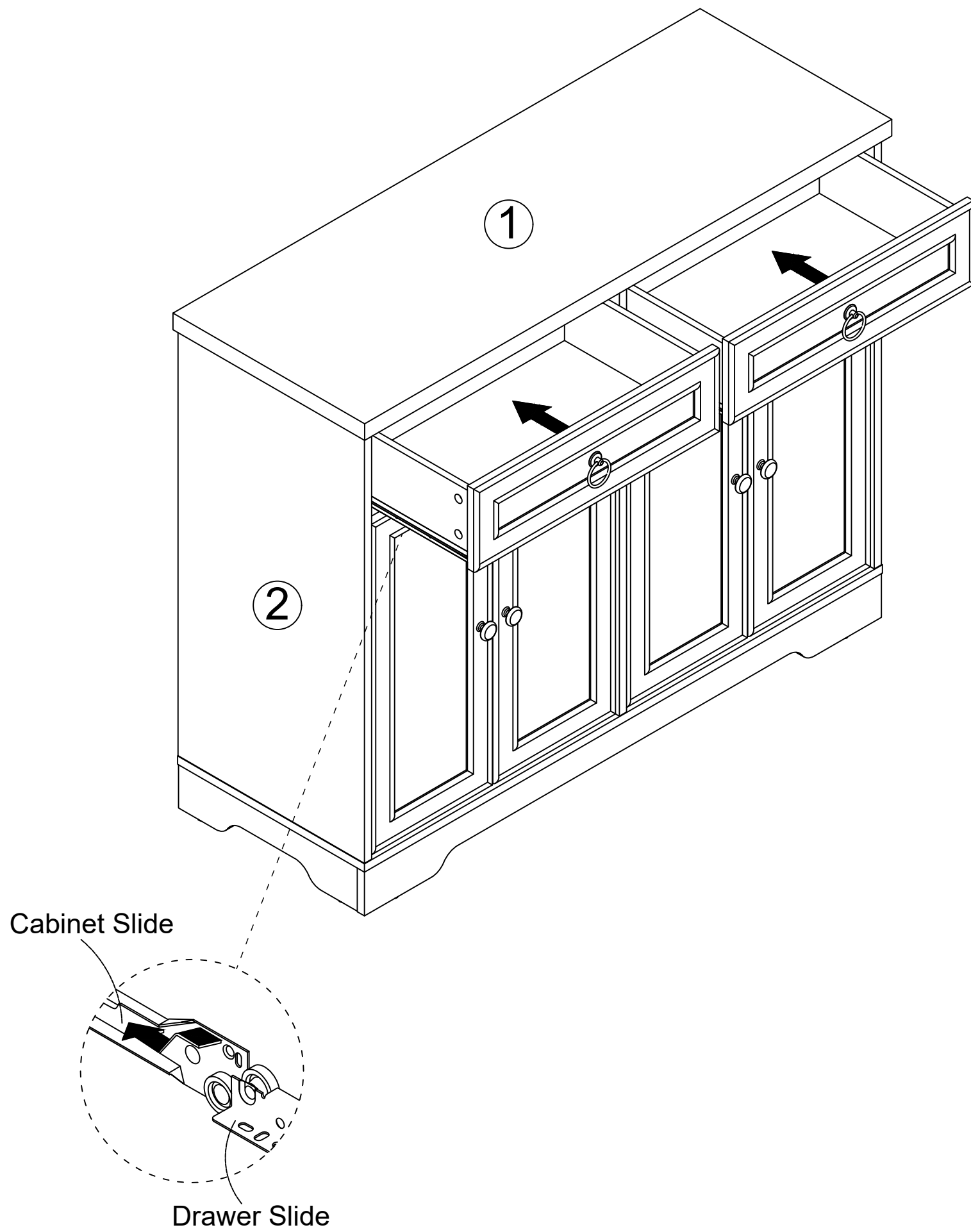
GDL

LEFT DRAWER RUNNER

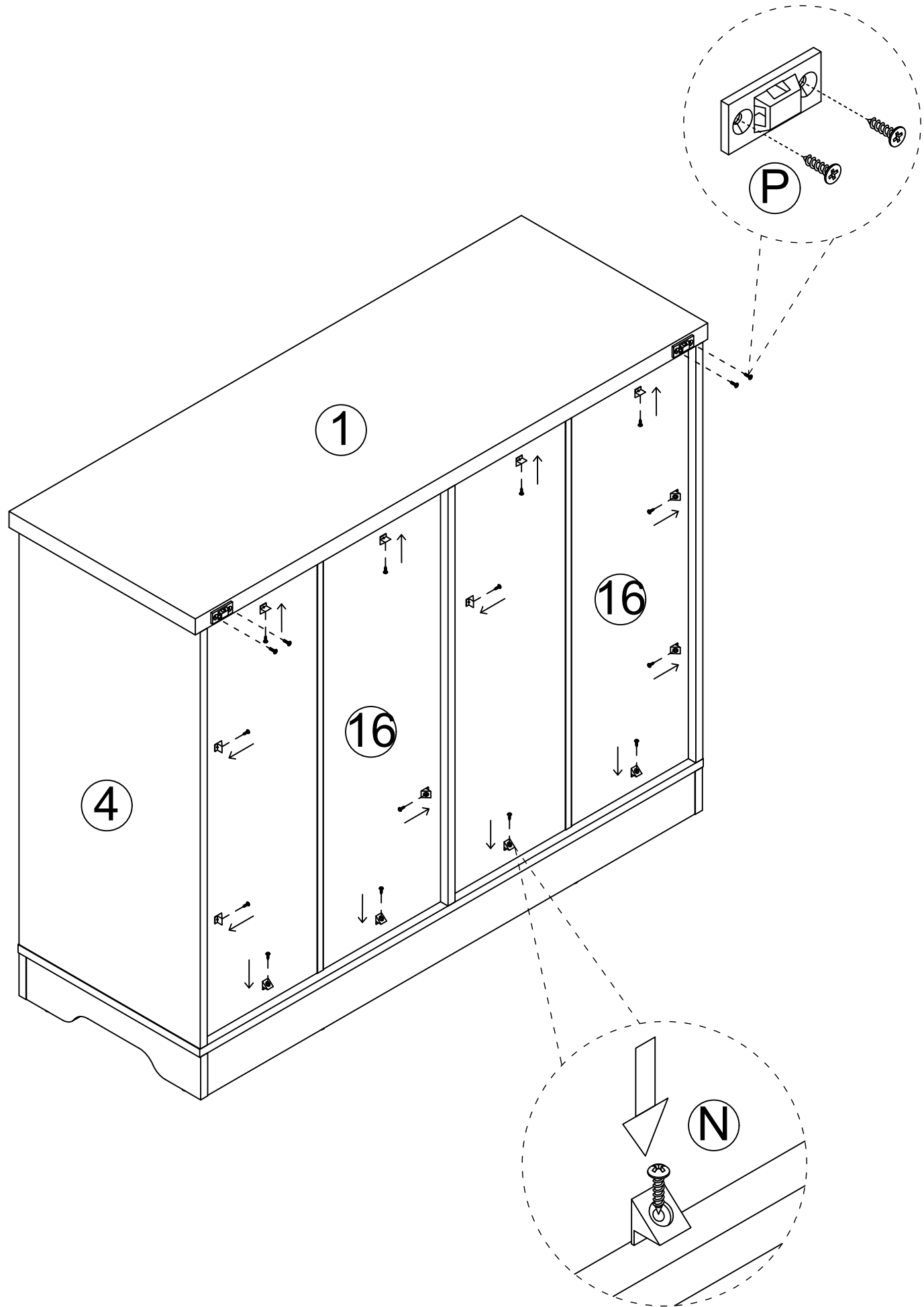
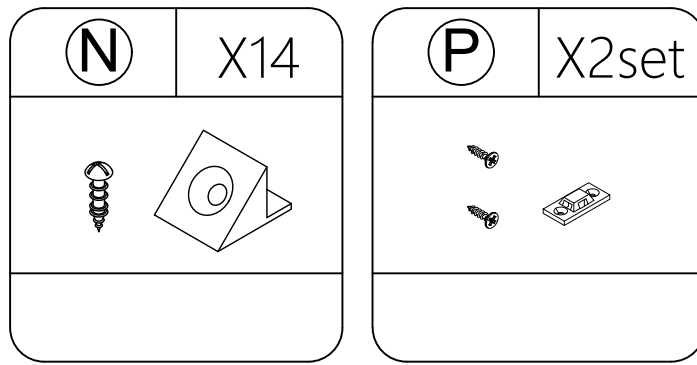
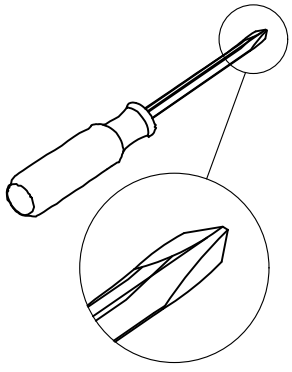


X2

STEP 23

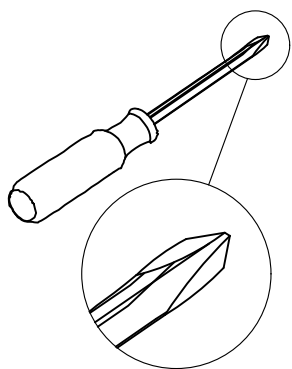
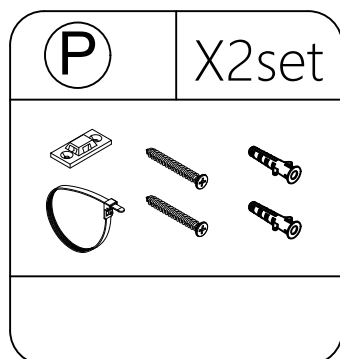


STEP 24



Insert the plastic buckle into the back plate slot, screw through the hole in the plastic buckle and lock it in place.

STEP 25

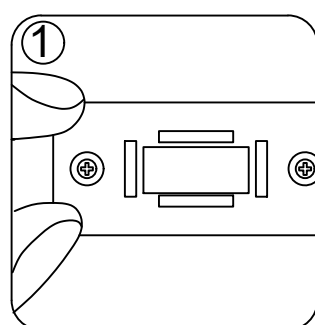


We have included a set of tipping restraint hardware for this unit. You must install this hardware to prevent accidents or injuries that can result from the unit falling. When properly installed, this restraint can provide protection against the unexpected tipping of the unit due to small tremors, bumps or climbing. We strongly recommend mounting this hardware to a wall stud and your unit.

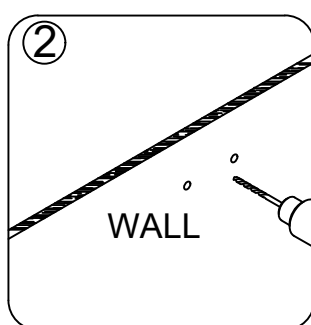
NOTE: The tipping restraint hardware included is for wooden stud wall construction. It must be attached to a wall stud. Depending upon your wall construction different anchor hardware may be required. Please contact your local hardware store for assistance. Young children can be seriously injured by tipping furniture. You must install the tipping restraint hardware with the unit to prevent the unit from tipping, causing any accidents or damage. The tipping restraints are intended only as a deterrent and are not a substitute for proper adult supervision. The tipping restraints are not earthquake restraints. If you wish to add the extra security of earthquake restraints, they must be purchased and installed separately.



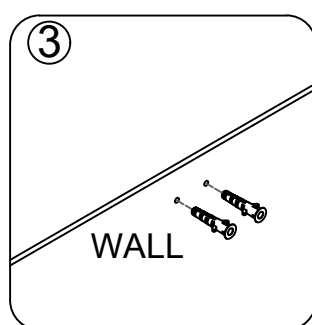
Install the tipping restraint hardware



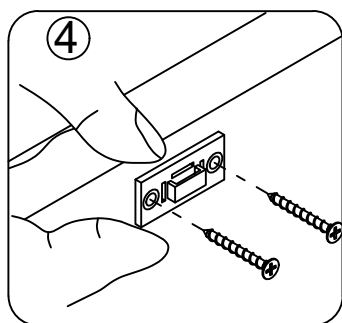
1. make mark on the wall



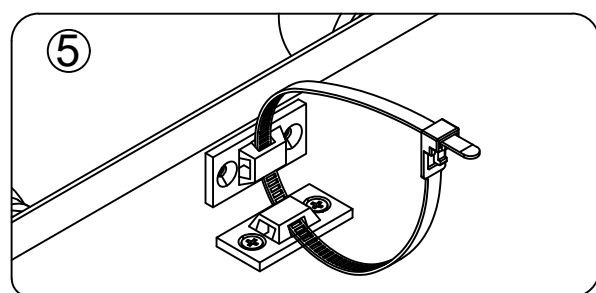
2. drill two Ø6 holes on the wall



3. put two anchors in the holes



4. fix the device on the wall by the long screws



5. Push the cabinet close to the wall so that the two bases are close to each other, and then put on nylon tie to tighten it.

