

# ASSEMBLY INSTRUCTIONS

## (Oscar Wood Back Chair)

Thank you for purchasing this quality product. Be sure to check all packing materials carefully for small parts, which may have come loose inside the carton during shipment. Identify and count all items and compare with the parts list and/or hardware list shown below.

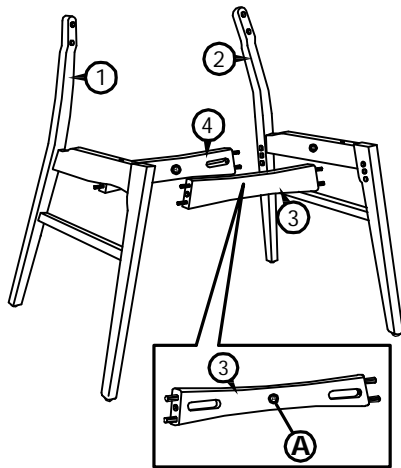
PARTS LIST			
NO	DESCRIPTION	SKECTH	QTY
1	LEFT SIDE FRAME (L)		2PCS
2	RIGHT SIDE FRAME (R)		2PCS
3	FRONT STRETCHER (A)		2PCS
4	BACK STRETCHER (B)		2PCS
5	TOP REST		2PCS
6	CUSHION SEAT		2PCS

HARDWARE LIST			
NO	DESCRIPTION	SKECTH	QTY
A	JCBC M6 x 25mm + S/W M6 + F/W M6 x 13mm		8PCS
B	JCBC M6 x 45mm + S/W M6 + F/W M6 x 13mm		8PCS
C	ALLEN KEY M4		1PC
D	L BRACKET		8PCS
E	CSK SCREW M3.5 x 12mm		16PCS
F	WOOD DOWEL M8 x 25mm		4PCS
G	WOOD BUTTON 14.5mm		8PCS

### CAUTIONS :

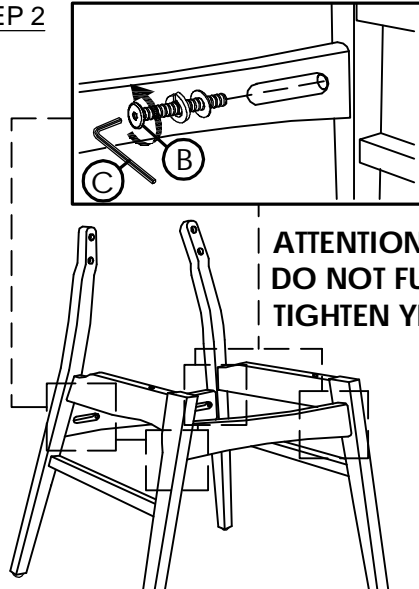
- DO NOT FULLY-TIGHTEN THE NUT OR NUT BOLTS INITIALLY UNTIL ALL NUTS OR BOLT IS READY ASSEMBLED.**  
( TO AVOID CAUSING DAMAGES TO THE THREAD, DO NOT OVER-TIGHTEN THE NUTS OR BOLTS. )
- KEEP ALL HARDWARE PART OUT OF REACH OF CHILDREN.**

### STEP 1



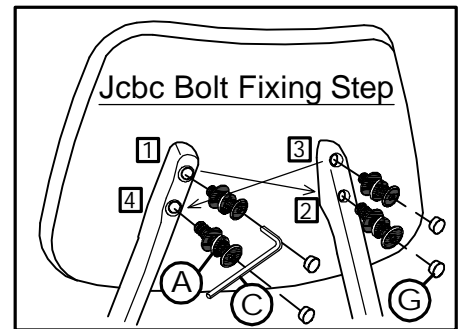
Front Stretcher has a small hole and sticker (A) for identification.

### STEP 2

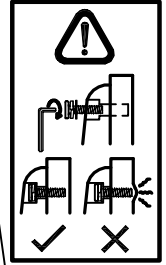


**ATTENTION:  
DO NOT FULLY  
TIGHTEN YET**

### STEP 3

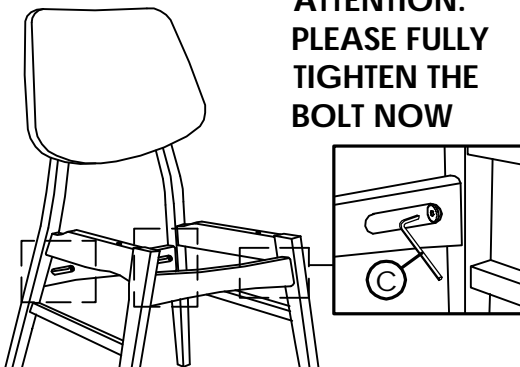


**ATTENTION:  
FULLY TIGHTEN  
THE BOLT**

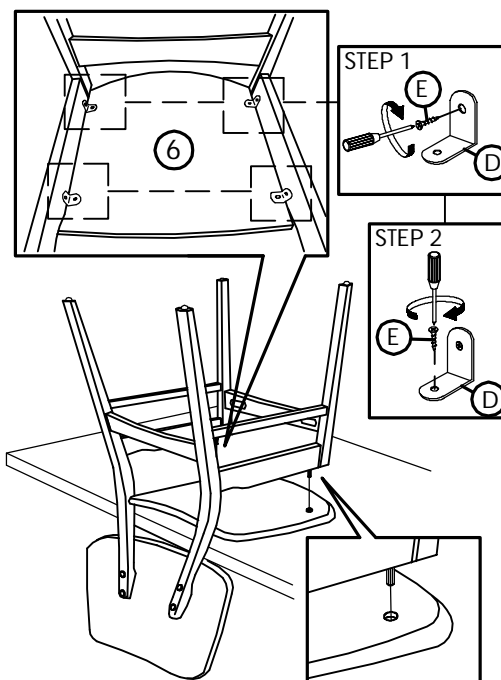


### STEP 4

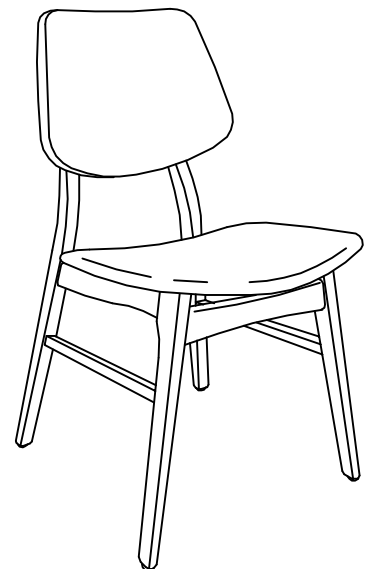
**ATTENTION:  
PLEASE FULLY  
TIGHTEN THE  
BOLT NOW**



### STEP 6



### STEP 7



**COMPLETED  
CHAIR ASSEMBLY.**

### STEP 5

