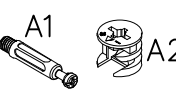
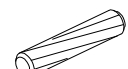

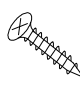



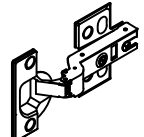
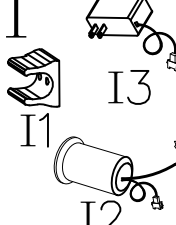
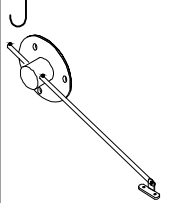
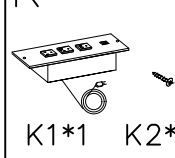
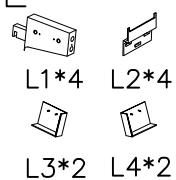
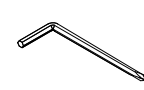

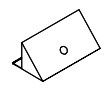

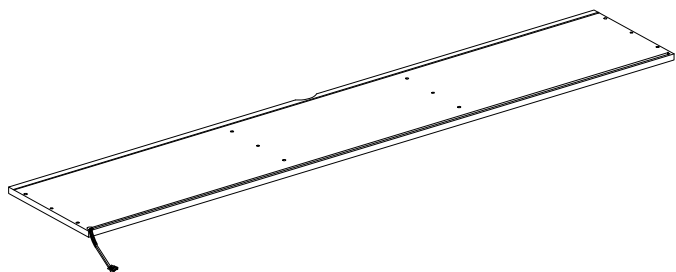


| | | | | | | | |
|--|--|---|--|---|---|--|---|
| <p>A</p>  <p>A1 A2</p> <p>22pcs</p> | <p>B</p>  <p>$\phi 8 \times 30 \text{mm}$</p> <p>10pcs</p> | <p>C</p>  <p>$\phi 3 \times 12 \text{mm}$</p> <p>2pcs</p> | <p>D</p>  <p>$\phi 3.5 \times 14 \text{mm}$</p> <p>63pcs</p> | <p>E</p>  <p>$\phi 3.5 \times 30 \text{mm}$</p> <p>8pcs</p> | <p>F</p>  <p>$\phi 3.5 \times 40 \text{mm}$</p> <p>8pcs</p> | <p>G</p>  <p>$8 \times 40 \text{mm}$</p> <p>8pcs</p> | <p>H</p>  <p>6pcs</p> |
| <p>I</p>  <p>I1 I2 I3</p> <p>1pc</p> | <p>J</p>  <p>3pcs</p> | <p>K</p>  <p>K1*1 K2*2</p> <p>1pc</p> | <p>L</p>  <p>L1*4 L2*4 L3*2 L4*2</p> <p>1pc</p> | <p>M</p>  <p>1pc</p> | <p>N</p>  <p>22pcs</p> | <p>O</p>  <p>12pcs</p> | <p>P</p>  <p>$\phi 8 \times 50 \text{mm}$</p> <p>2pcs</p> |

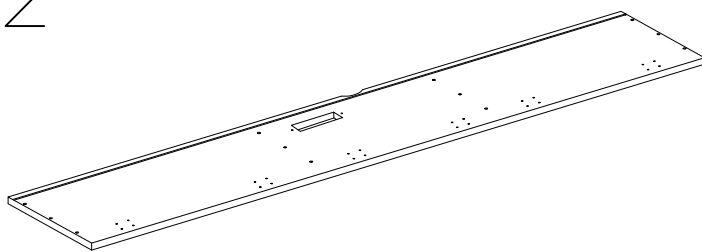
1



1650*310*15mm

1pc

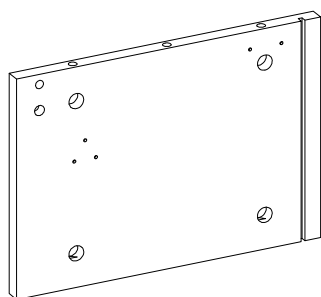
2



1650*310*15mm

1pc

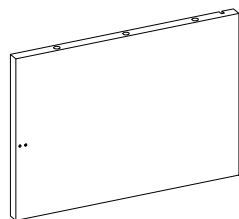
3



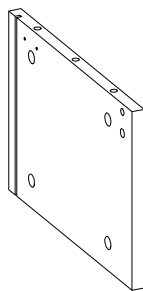
220*309*15mm

1pc

4



one side

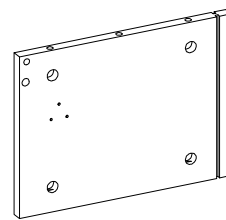


the other side

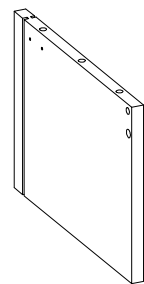
220*309*15mm

1pc

5



one side

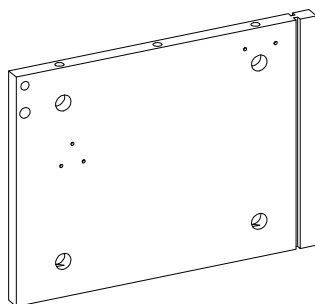


the other side

220*293*15mm

1pc

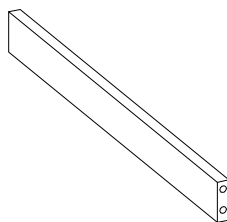
6



220*293*15mm

1pc

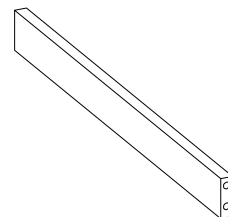
7



531.5*50*15mm

1pc

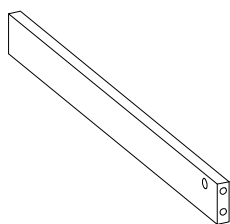
8



525*50*15mm

1pc

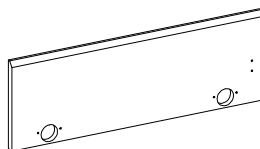
9



531.5*50*15mm

1pc

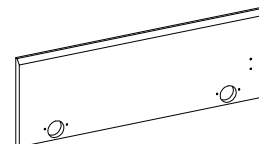
10



536*185*15mm

1pc

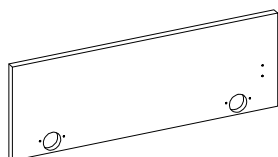
11



536*185*15mm

1pc

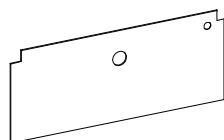
12



536*185*15mm

1pc

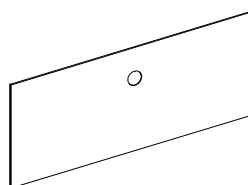
13



230*540*3mm

1pc

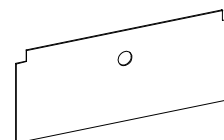
14



230*533*3mm

1pc

15



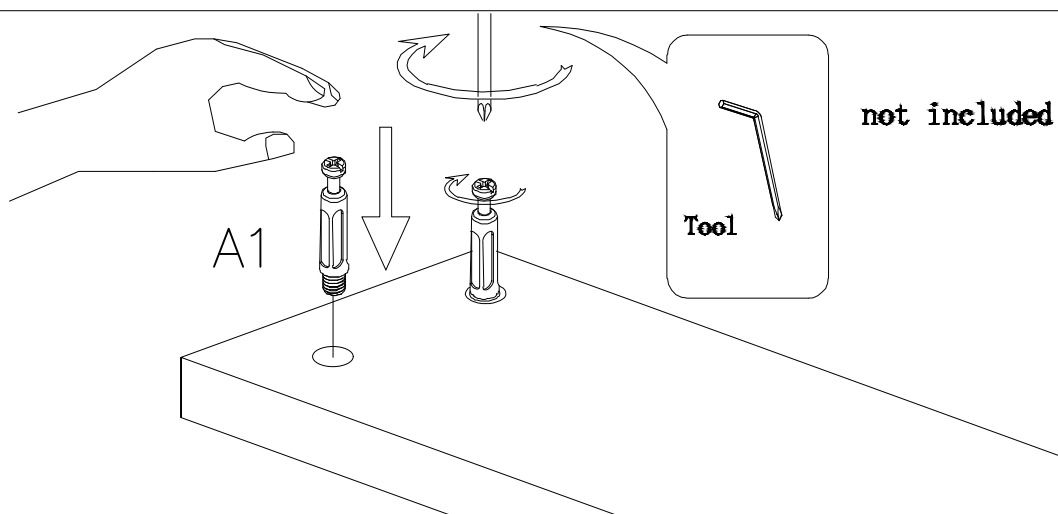
230*540*3mm

1pc

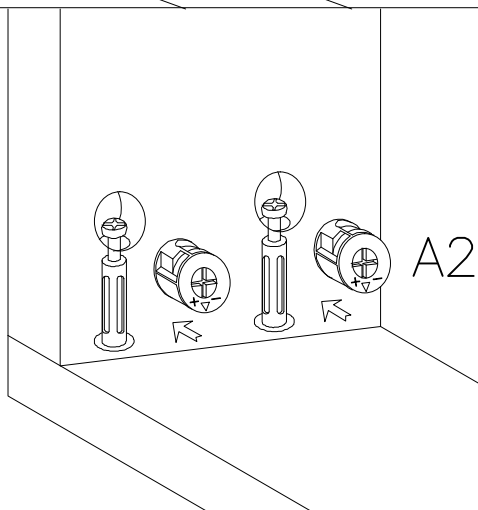
Hardware installation demonstration

NOTE: Please make sure
"A1" hardware tightened
and can't be pulled out!

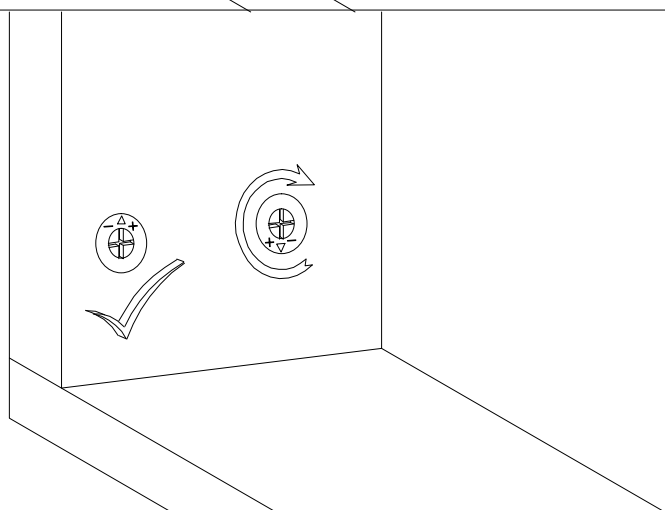
I



II



III



STEP 1

Diagram illustrating the assembly of a long rectangular panel (2) using screws A1, K2, and a bracket M. A terminal block K1 is also shown. A circular inset shows the correct (V) and incorrect (X) placement of screw A1. A vertical inset shows the correct orientation of screw A1.

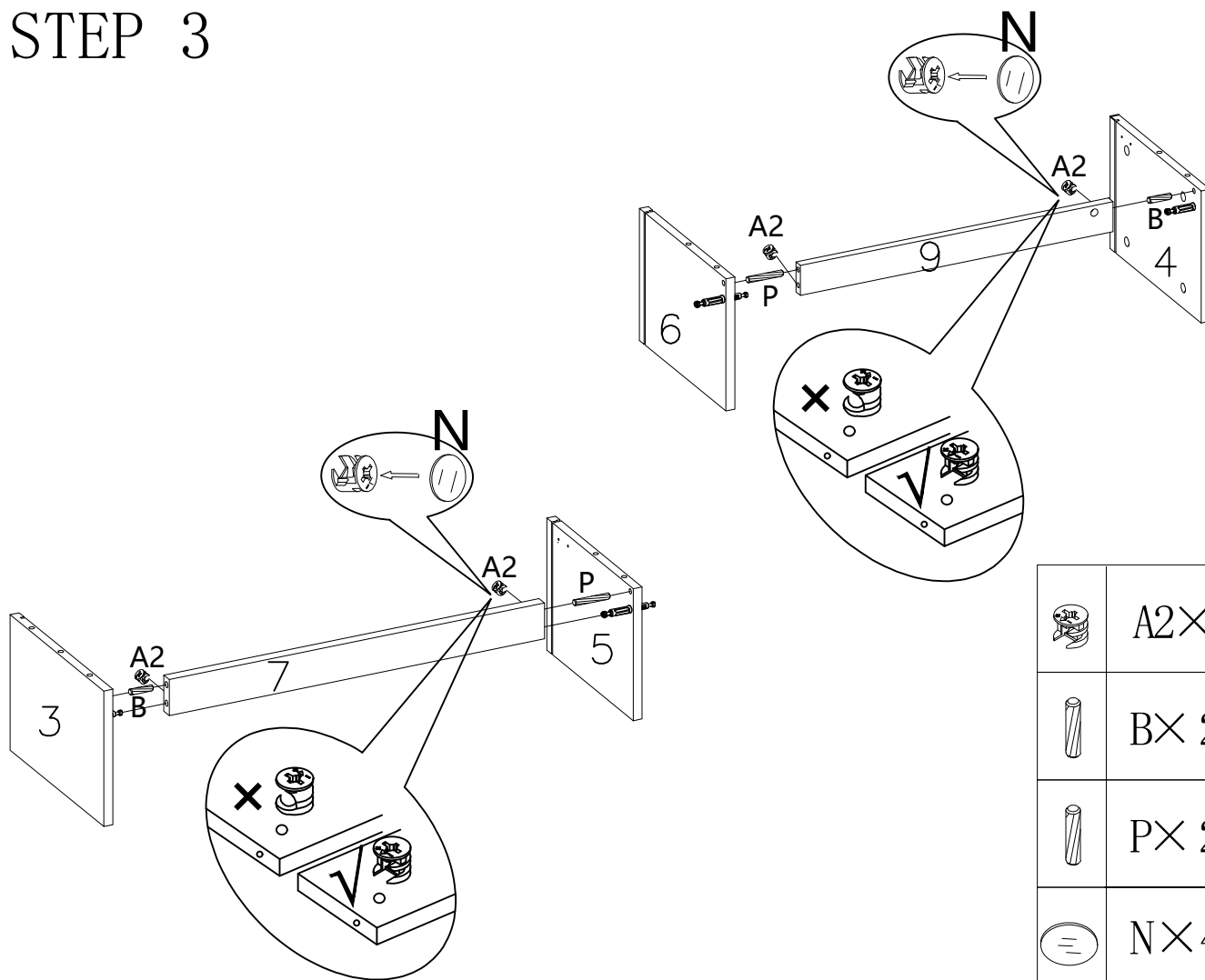
| | |
|--|-----------|
| | A1 × 8PCS |
| | K2 × 2PCS |
| | M × 1PC |
| | K1 × 1PC |

STEP 2

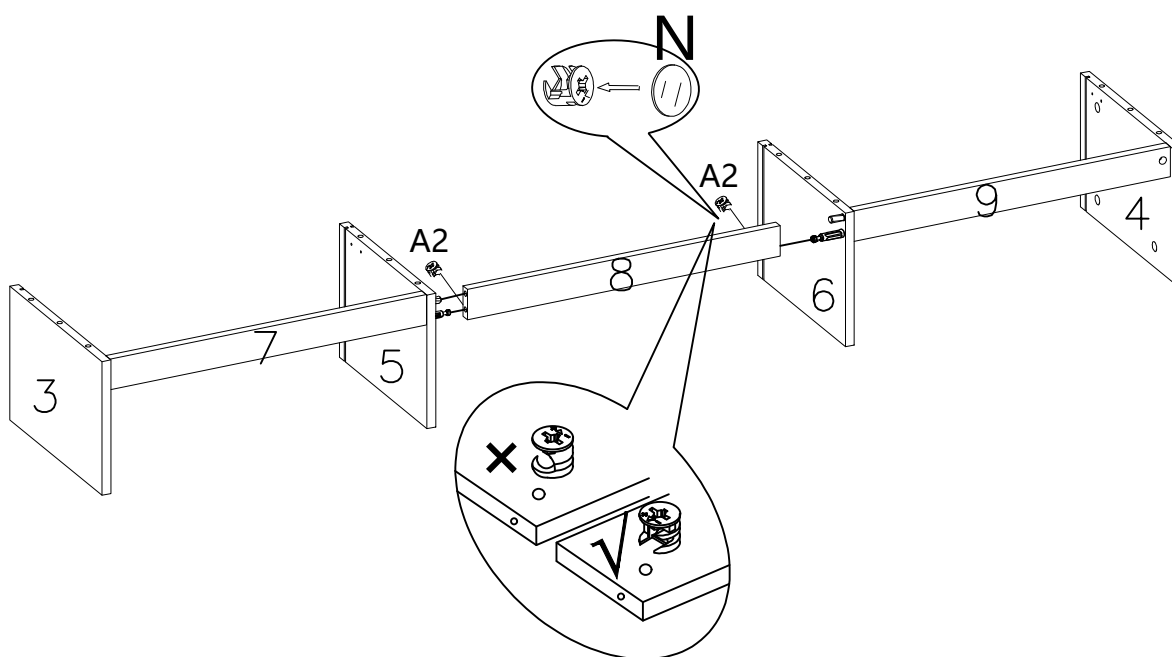
Diagram illustrating the assembly of four square panels (3, 4, 5, 6) using screws A1. Panels 3 and 4 are shown on the left, and panels 5 and 6 are shown on the right. Panels 5 and 6 are shown from both 'one side' and 'the other side'.

| | |
|--|-----------|
| | A1 × 6PCS |
|--|-----------|

STEP 3

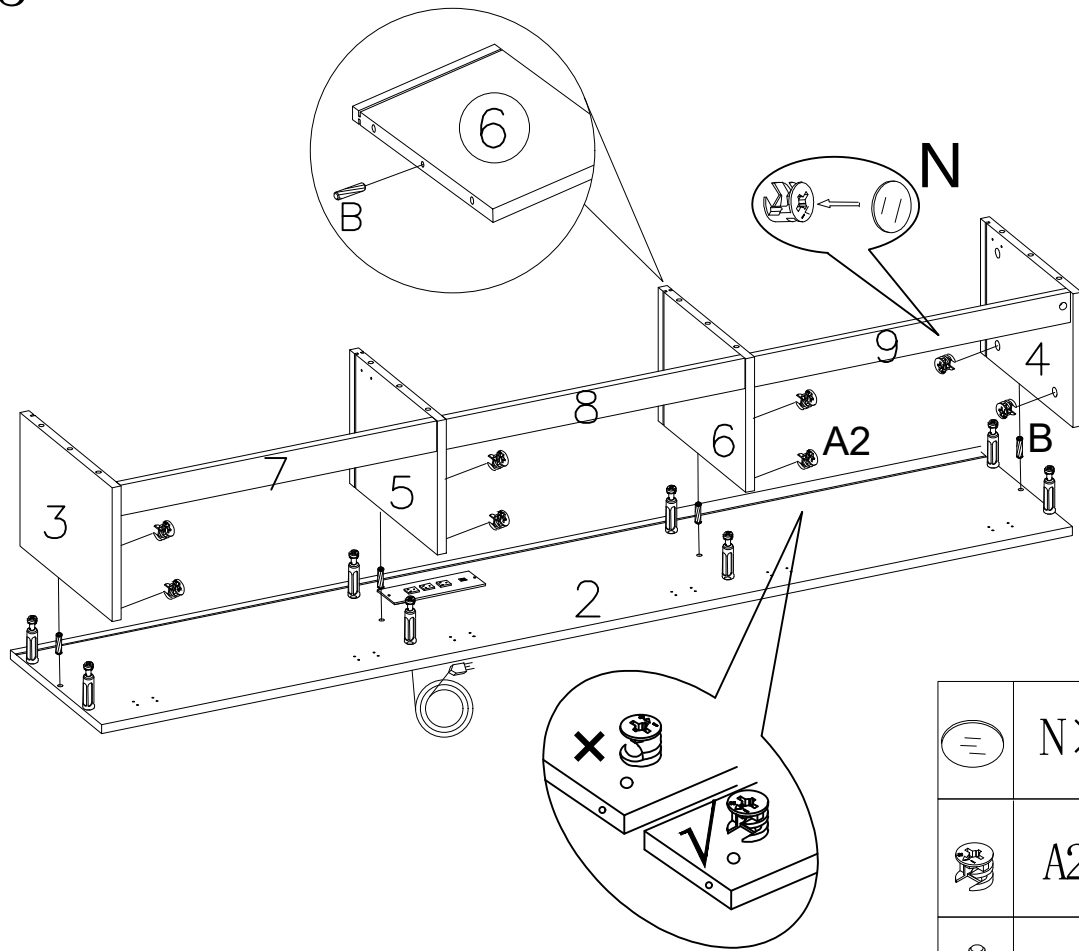




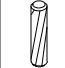
STEP 4



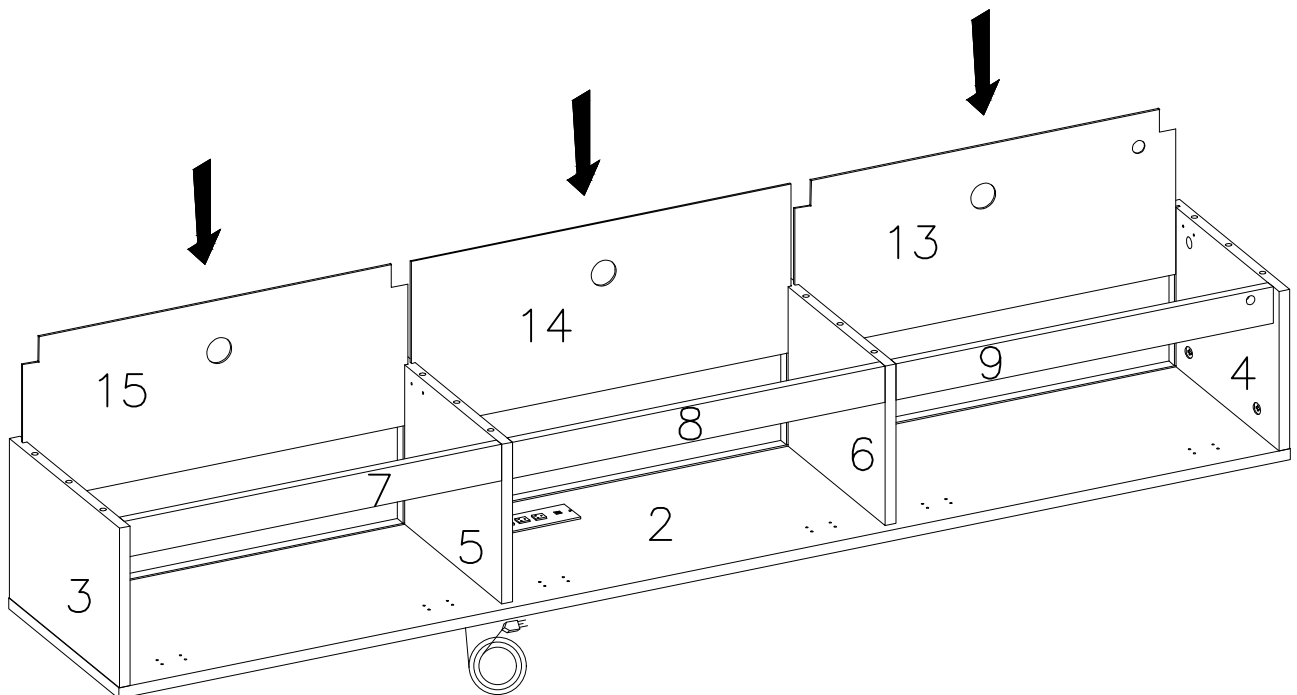
| | |
|--|-----------|
| | A2 × 2PCS |
| | N × 2PCS |

STEP 5

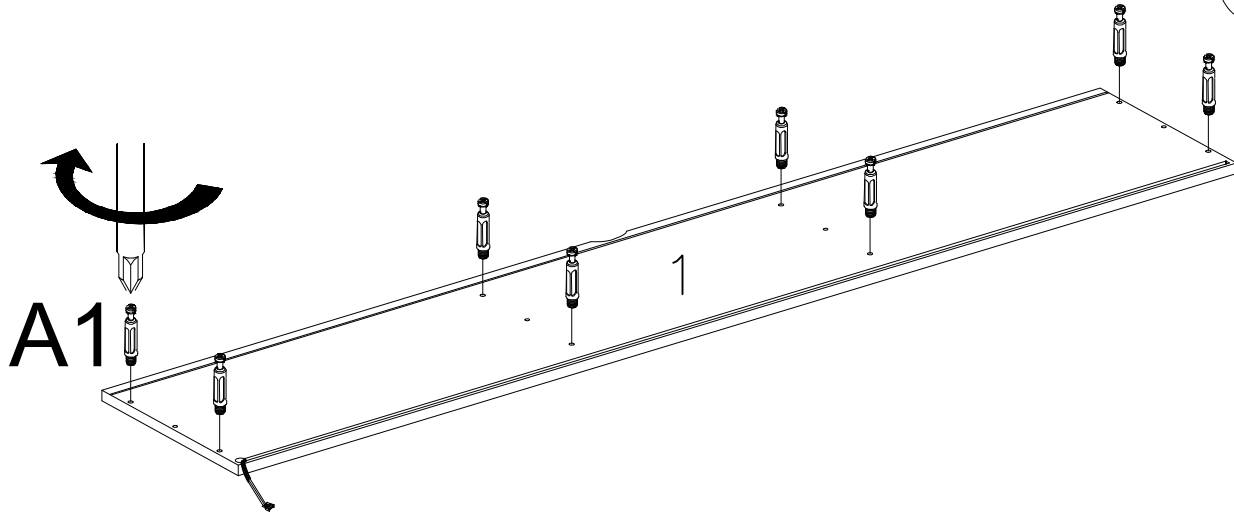
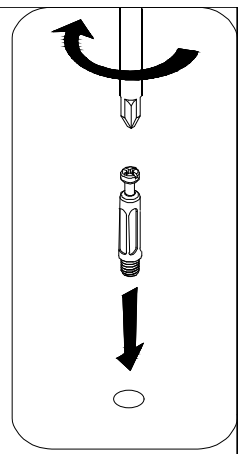
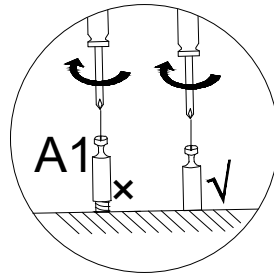



| | |
|---|-----------|
|  | N × 8PCS |
|  | A2 × 8PCS |
|  | B × 4PCS |

STEP 6

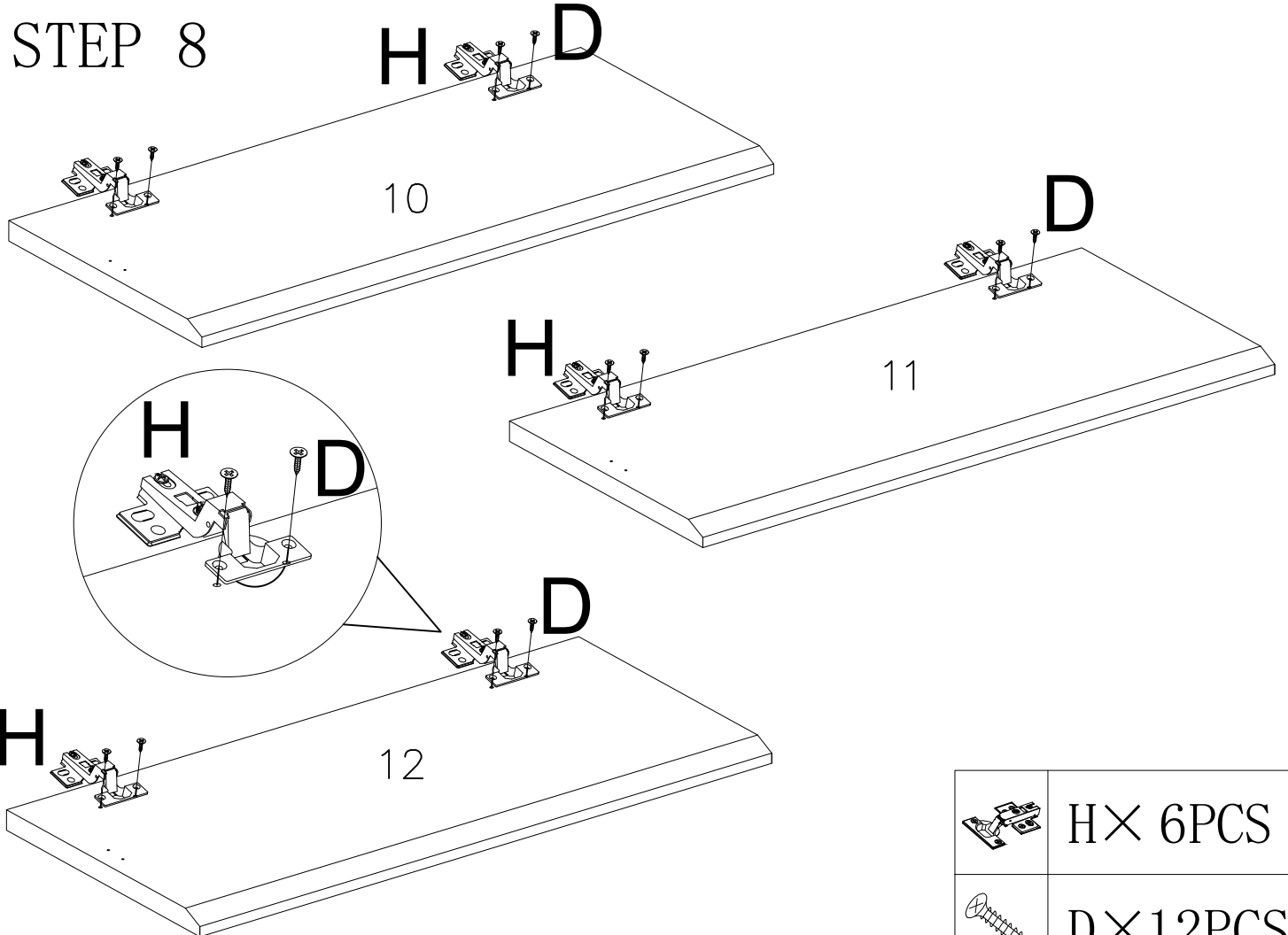




STEP 7



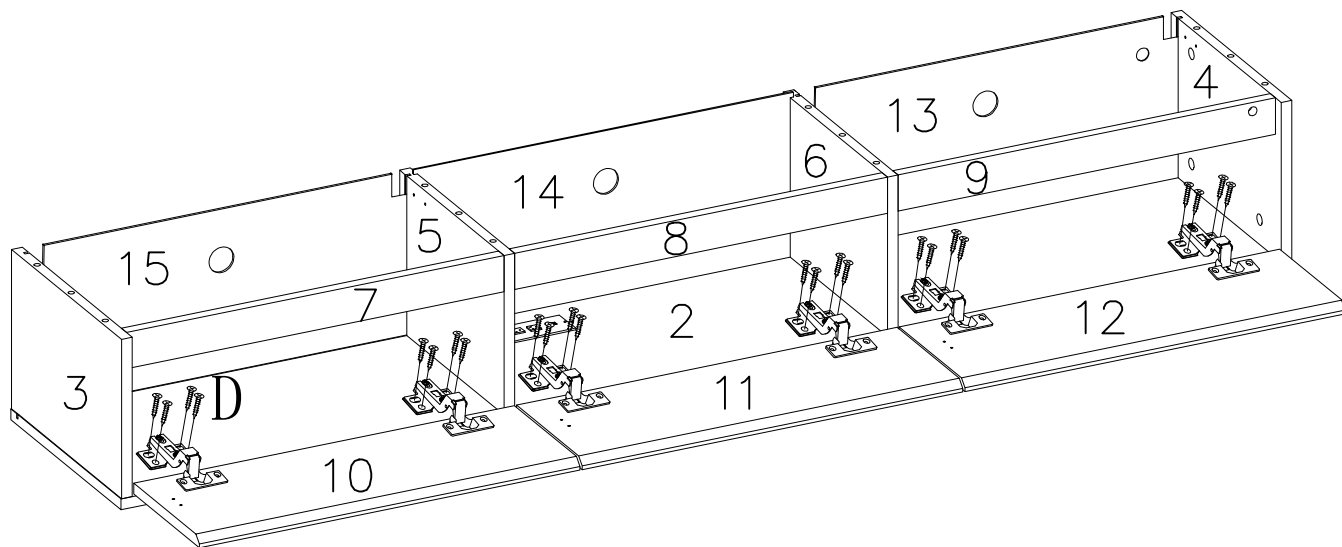
| | |
|---|-----------|
|  | A1 × 8PCS |
|---|-----------|

STEP 8



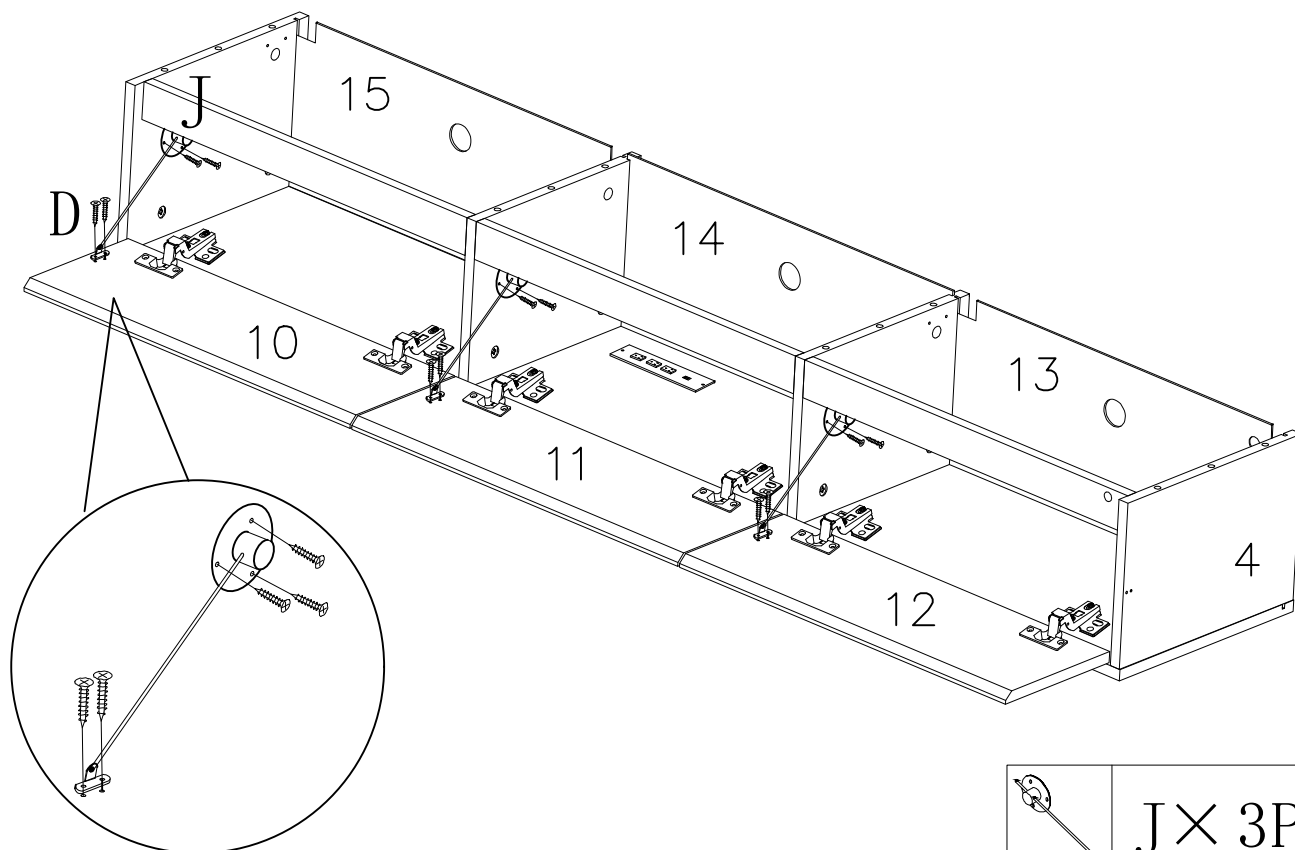
| | |
|---|-----------|
|  | H × 6PCS |
|  | D × 12PCS |



STEP 9



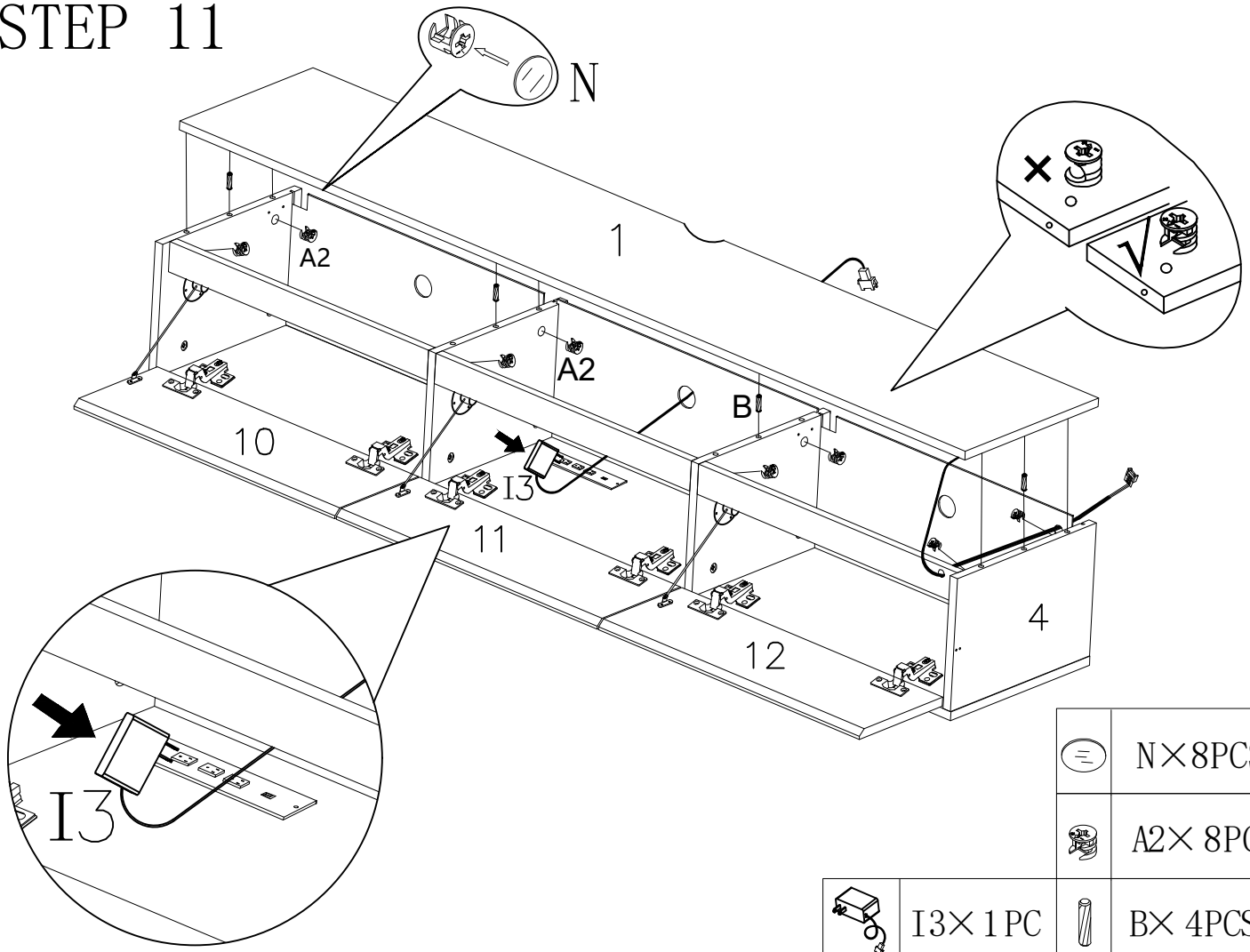
| | |
|---|-----------|
|  | D × 24PCS |
|---|-----------|

STEP 10

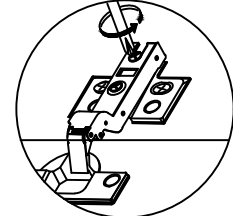
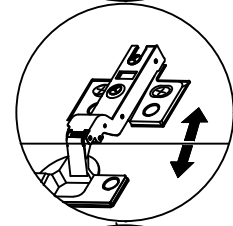
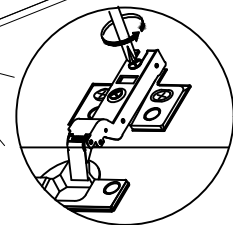
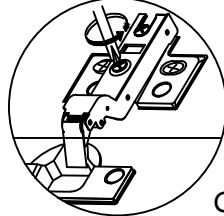
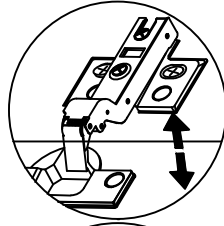
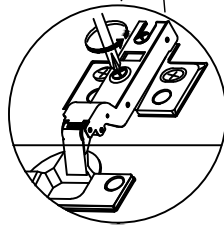
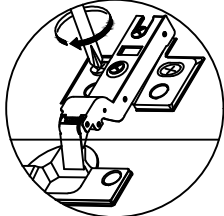
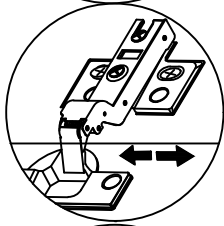
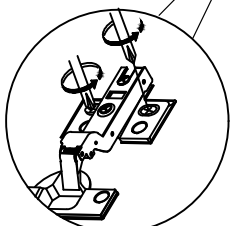
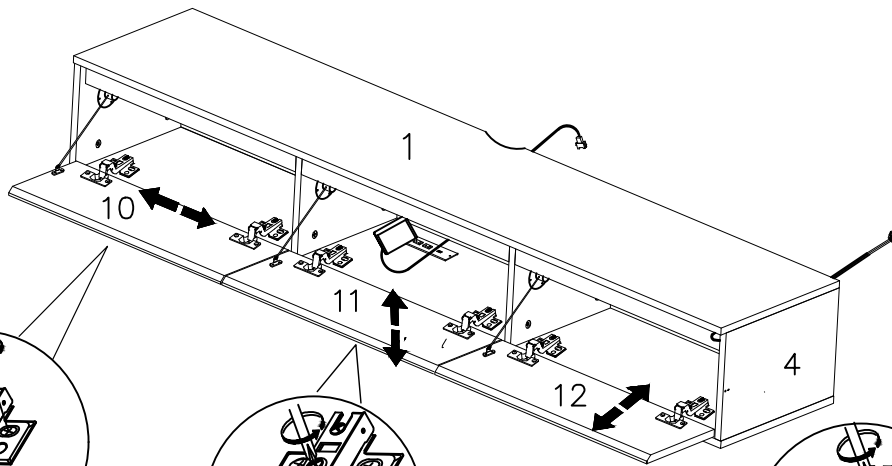


| | |
|---|-----------|
|  | J × 3PCS |
|  | D × 15PCS |

STEP 11



STEP 12

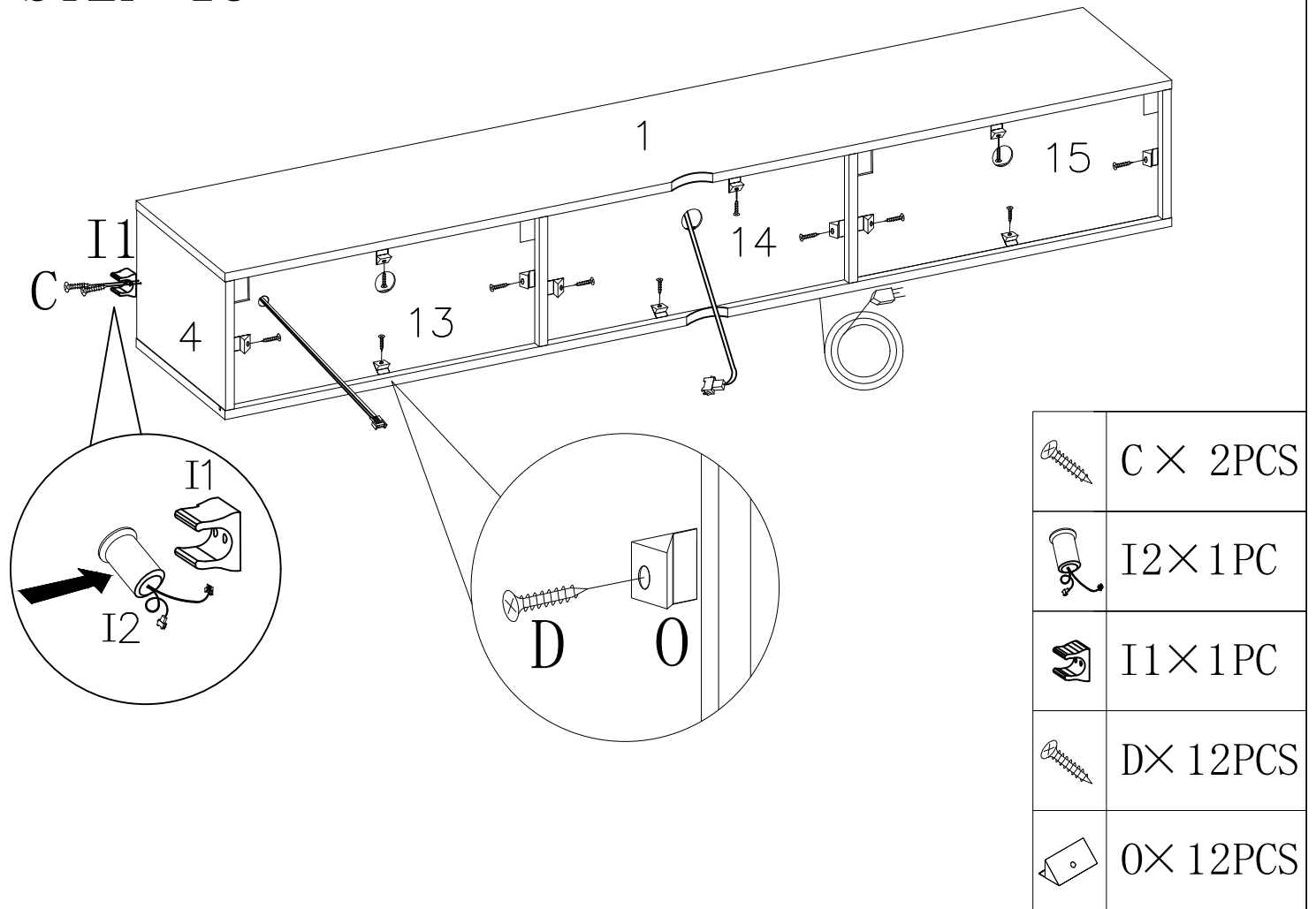


Fine-tune the gap after the cabinet door is closed

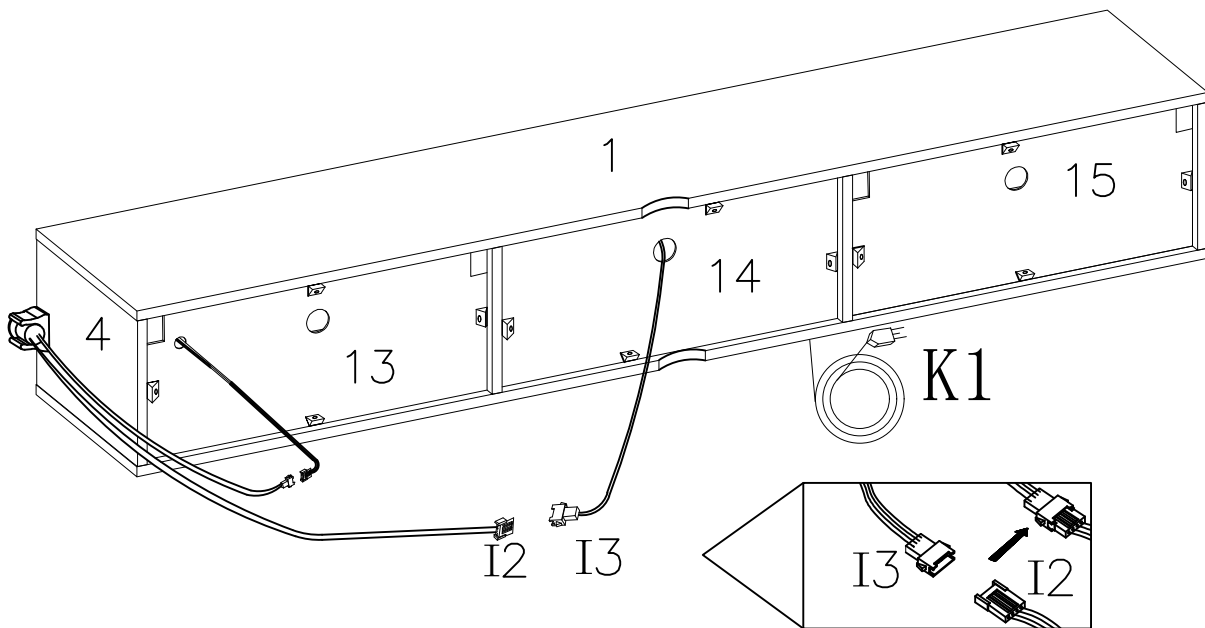
Cabinet door left and right fine adjustment

Cabinet door up and down fine adjustment

STEP 13



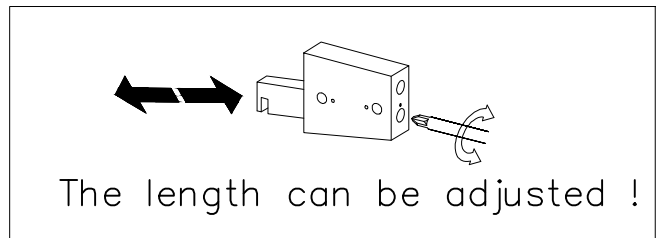
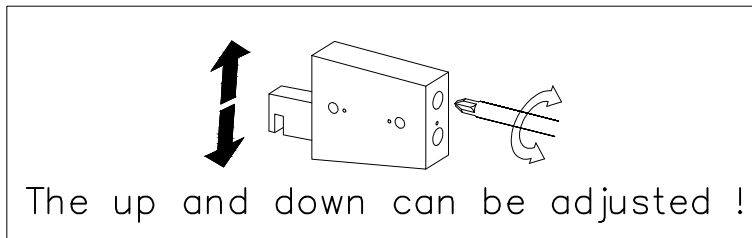
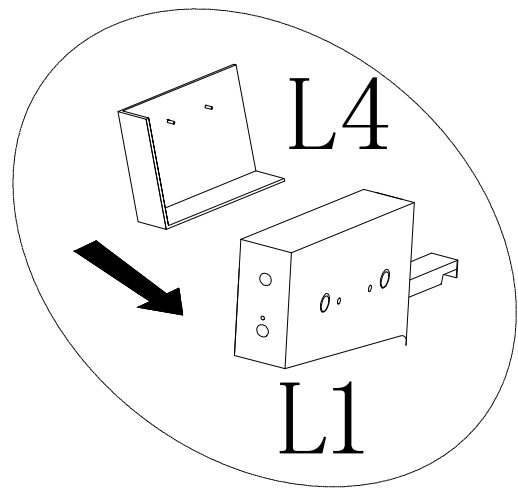
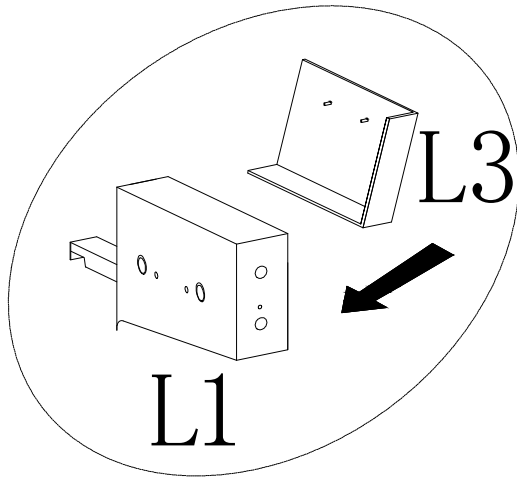
STEP 14



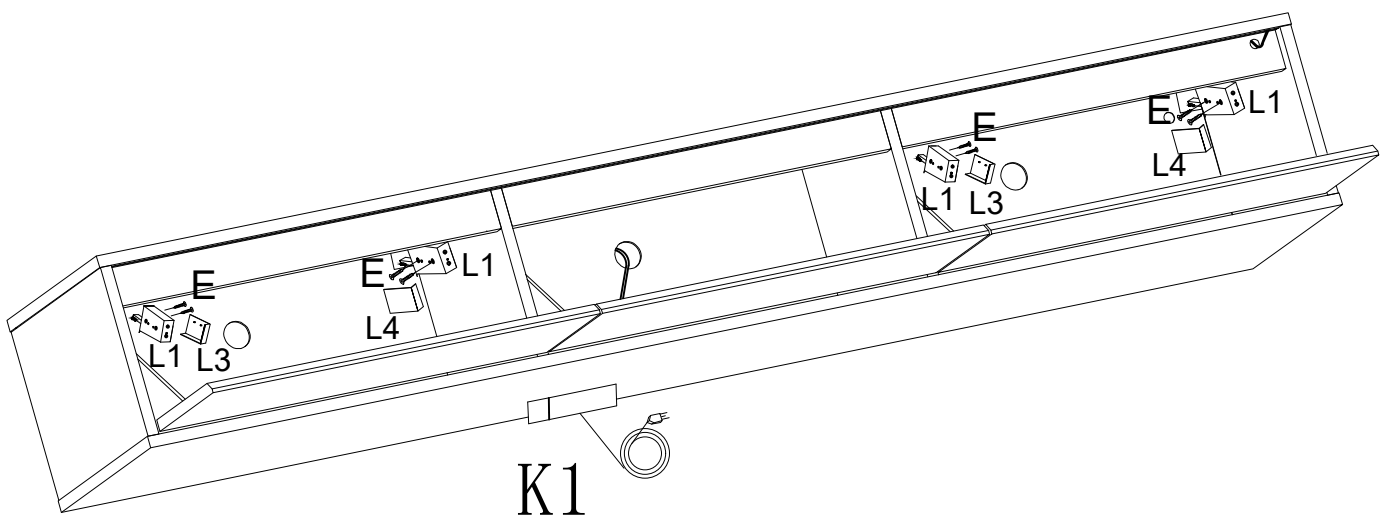
I2 and I3 are connected;
Light Strip and I2 connected



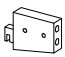

lug the K1 into the power supply !

STEP 15



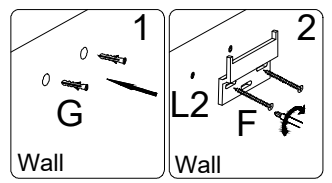
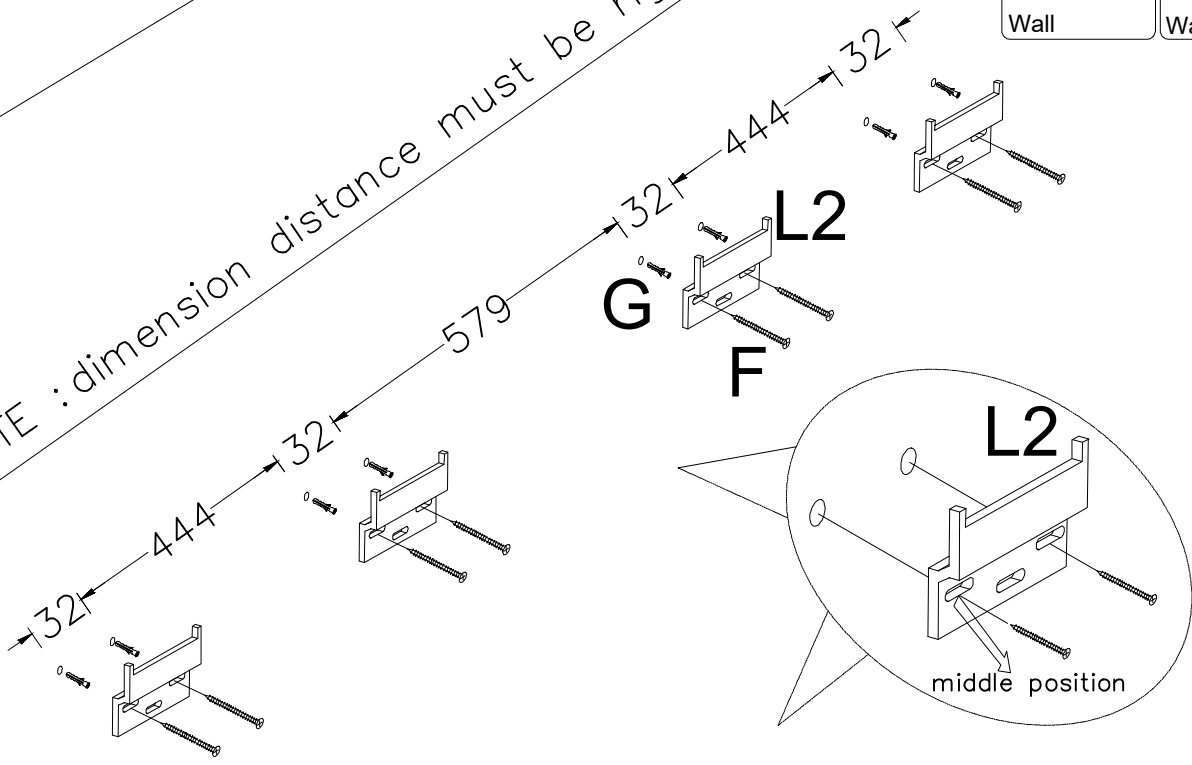
STEP 16

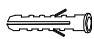
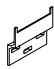


| | | | |
|---|-----------|---|-----------|
|  | E × 8PCS |  | L3 × 2PCS |
|  | L1 × 4PCS |  | L4 × 2PCS |

STEP 17

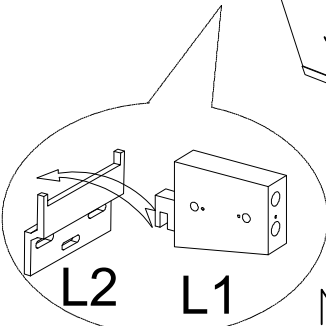
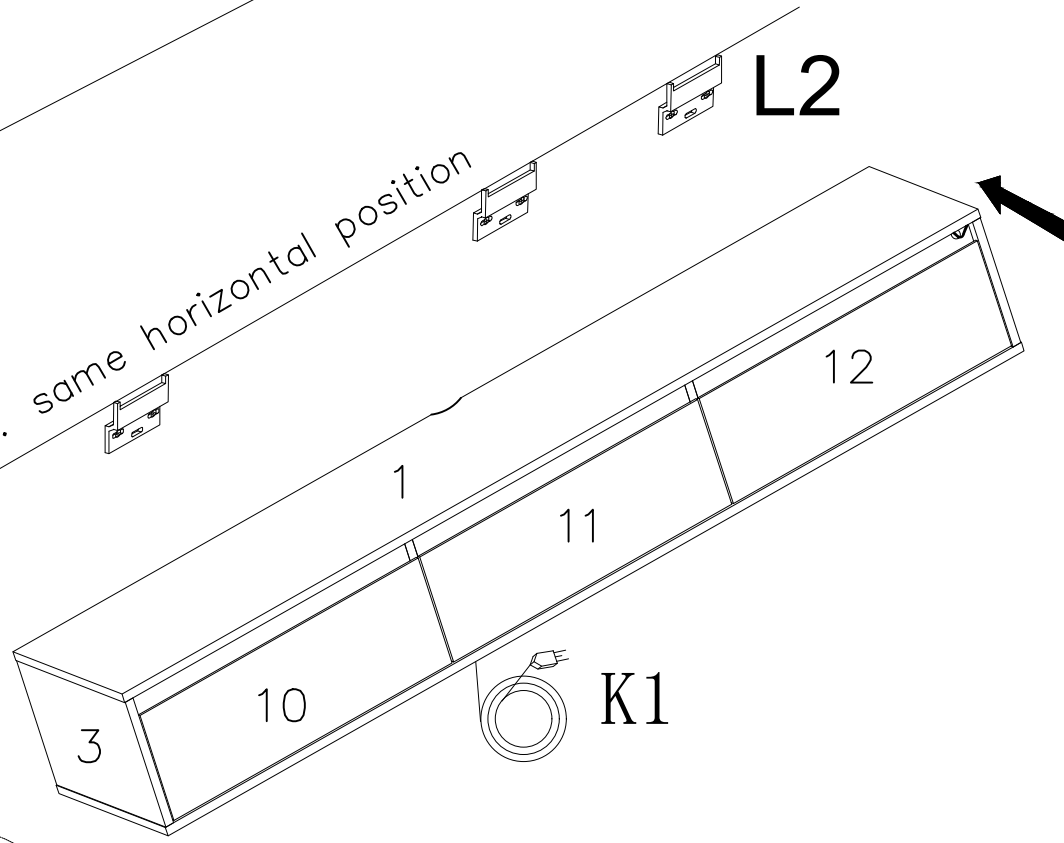
NOTE : dimension distance must be right !



| | | | | | |
|---|-----------------|---|-----------------|---|------------------|
|  | F × 8PCS |  | G × 8PCS |  | L2 × 4PCS |
|---|-----------------|---|-----------------|---|------------------|

STEP 18

NOTE : same horizontal position



NOTE : install the cabinet on the L2 !