

# PARLOS®

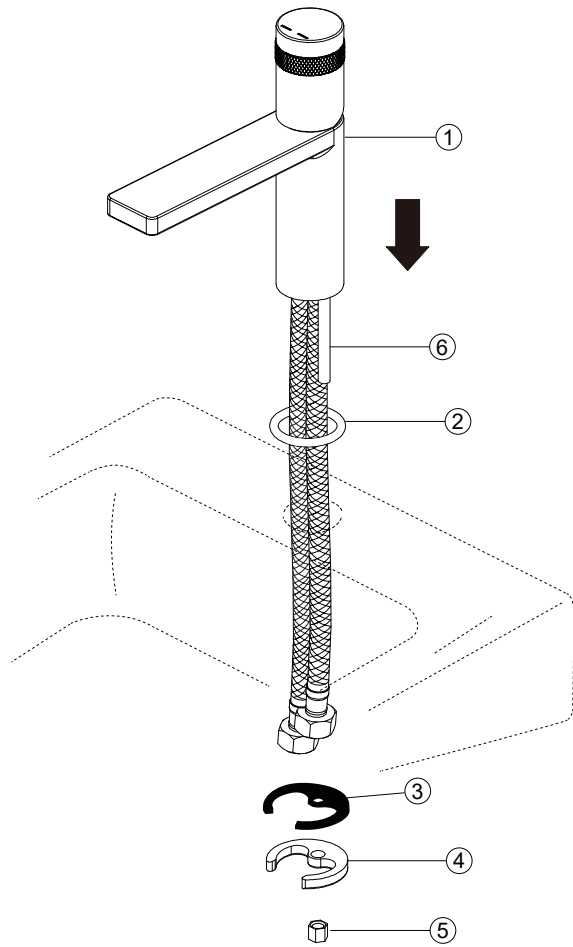
## Installation Guide

### BEFORE INSTALLATION

- To insure proper installation, please read the following instructions carefully.
- Please make sure that the water supply has been shut off at the stop valve.
- PARLOS® reserves the right to update product without notice.

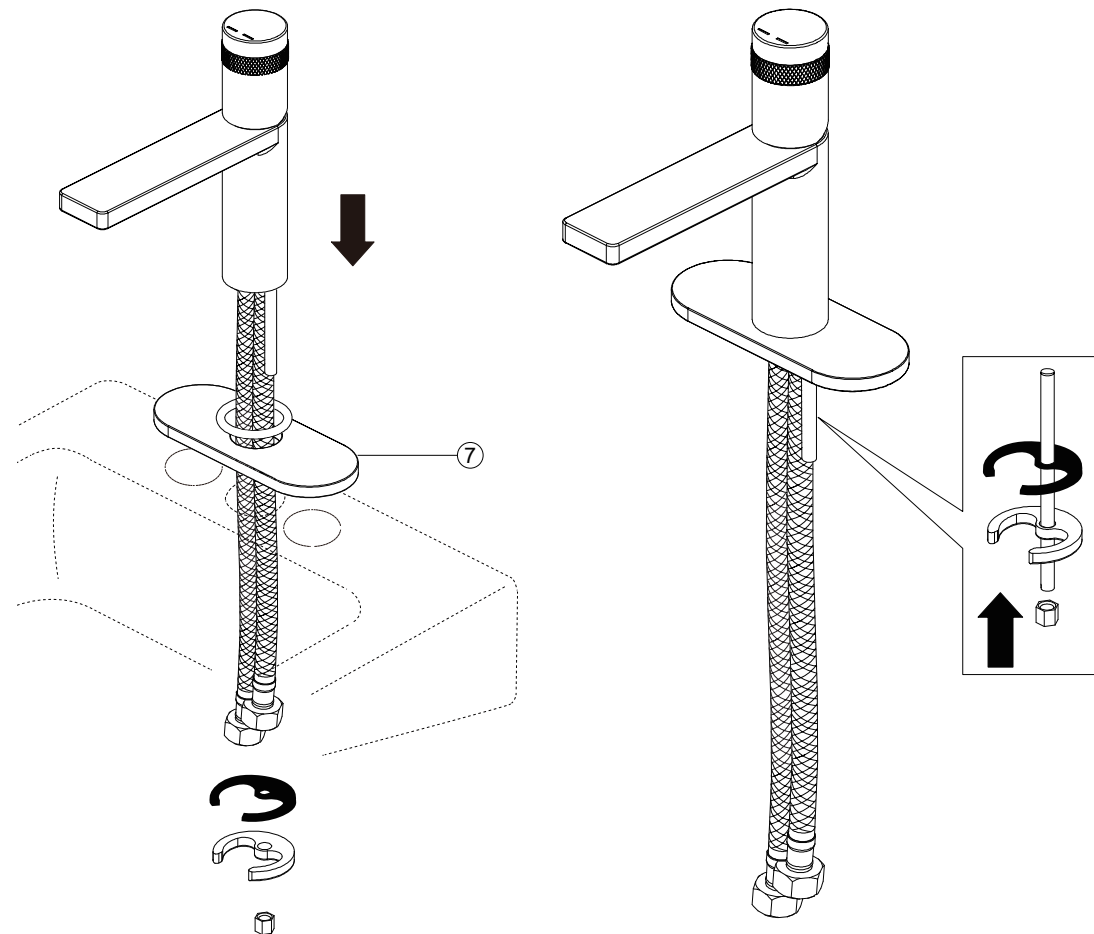
If you have any question or need help,  
please visit **PARLOS®** website  
<http://www.parlos.com>

### Single Hole Application



1. Install Gasket ② onto Faucet Body ①.  
Slide single hole faucet through the sink mounting hole.  
Note: Escutcheon ⑦ is included for 3-Hole applications.

### 3-Hole Application



2. Place Stainless Steel Washer ④ and Rubber Washer ③ onto Mounting Studs ⑥ under the sink, and tighten the Mounting Nuts ⑤ securely as shown.

3. Connect and screw on the Supply Hoses ⑧ to Valves ⑨.
4. Turn on faucet to check for leaks.

- Every once in a while, please rinse the faucet with lukewarm soapwater, and wipe it clean with a soft duster cloth. Please avoid any abrasive cleaners, steel wools, or corrosive chemicals.