

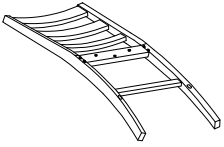
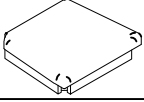

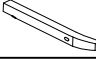

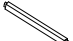
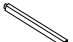
ASSEMBLY INSTRUCTIONS

COUNTER STOOL







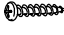
PAGE 1 OF 2

**NOTE: THIS ITEM NOT RECOMMENDED FOR COMMERCIAL USE
KEEP THIS DOCUMENT FOR REFERENCE IN CASE PARTS ARE NEEDED
DO NOT TIGHTEN SCREWS UNTIL COMPLETELY ASSEMBLED !!**

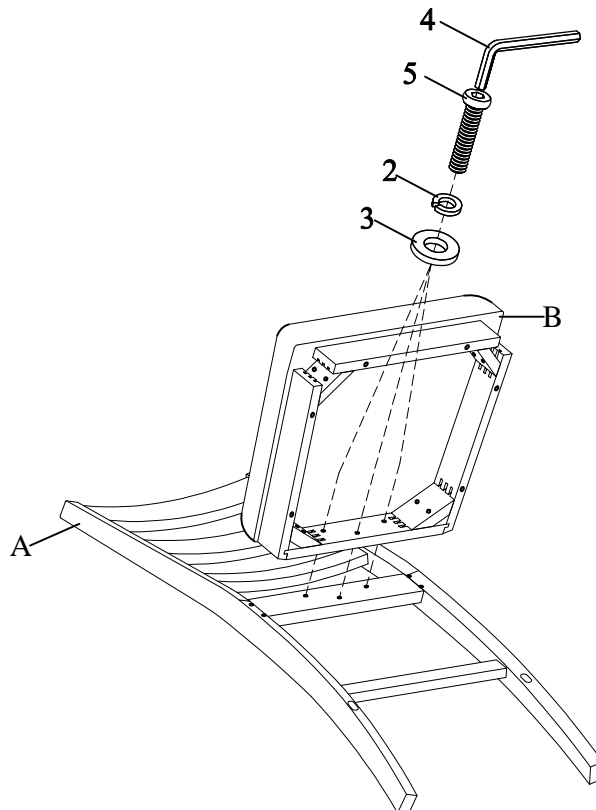
PART LISTS

No	DESCRIPTION		Q'TY
A	CHAIR BACK		1PC
B	CHAIR SEAT		1PC
C	LEFT FRONT LEGS		1PC
D	RIGHT FRONT LEGS		1PC
E	FRONT STRETCHER		1PC
F	LEFT SIDE STRETCHER		1PC
G	RIGHT SIDE STRETCHER		1PC

HARDWARE LISTS

No	DESCRIPTION			Q'TY
1		LONG BOLT	Ø1/4" x 3-1/8"	4PCS
2		LOCK WASHER	Ø1/4"x10Dx1.1mm	11PCS
3		FLAT WASHER	Ø1/4"x19Dx2mm	11PCS
4		ALLEN KEY	2-1/4" x 4mm	1PC
5		SHORT BOLT	Ø1/4" x 1-1/2"	3PCS
6		MEDIUM BOLT	Ø1/4" x 2-1/4"	4PCS
7		SCREWS	#8 x 38mm	6PCS

STEP 1



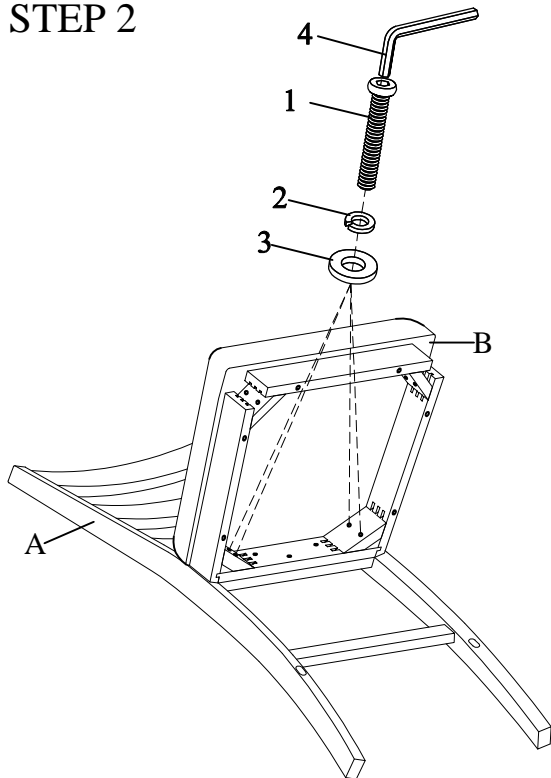
ASSEMBLY INSTRUCTIONS

COUNTER STOOL

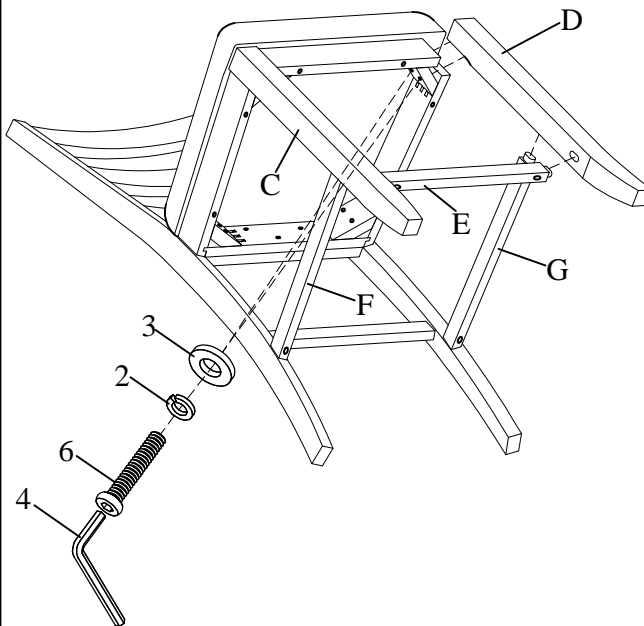
PAGE 2 OF 2

**NOTE: THIS ITEM NOT RECOMMENDED FOR COMMERCIAL USE
KEEP THIS DOCUMENT FOR REFERENCE IN CASE PARTS ARE NEEDED
DO NOT TIGHTEN SCREWS UNTIL COMPLETELY ASSEMBLED !!**

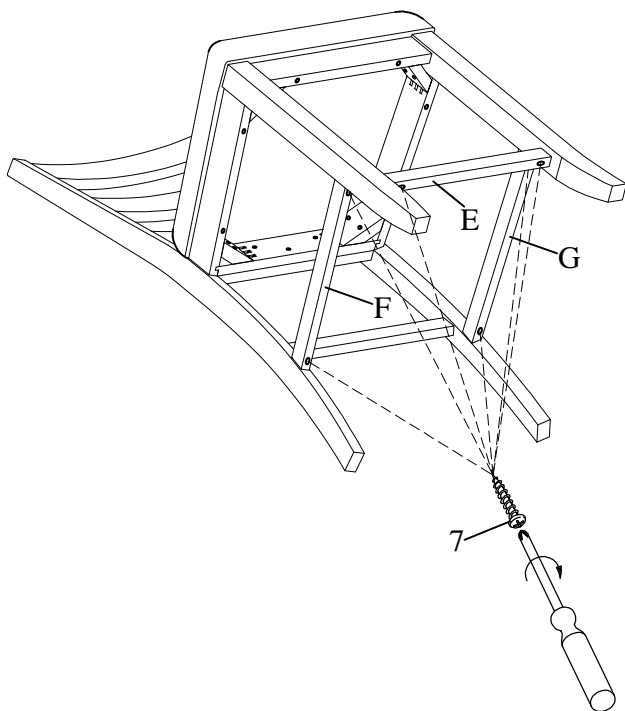
STEP 2



STEP 3



STEP 4



STEP 5

