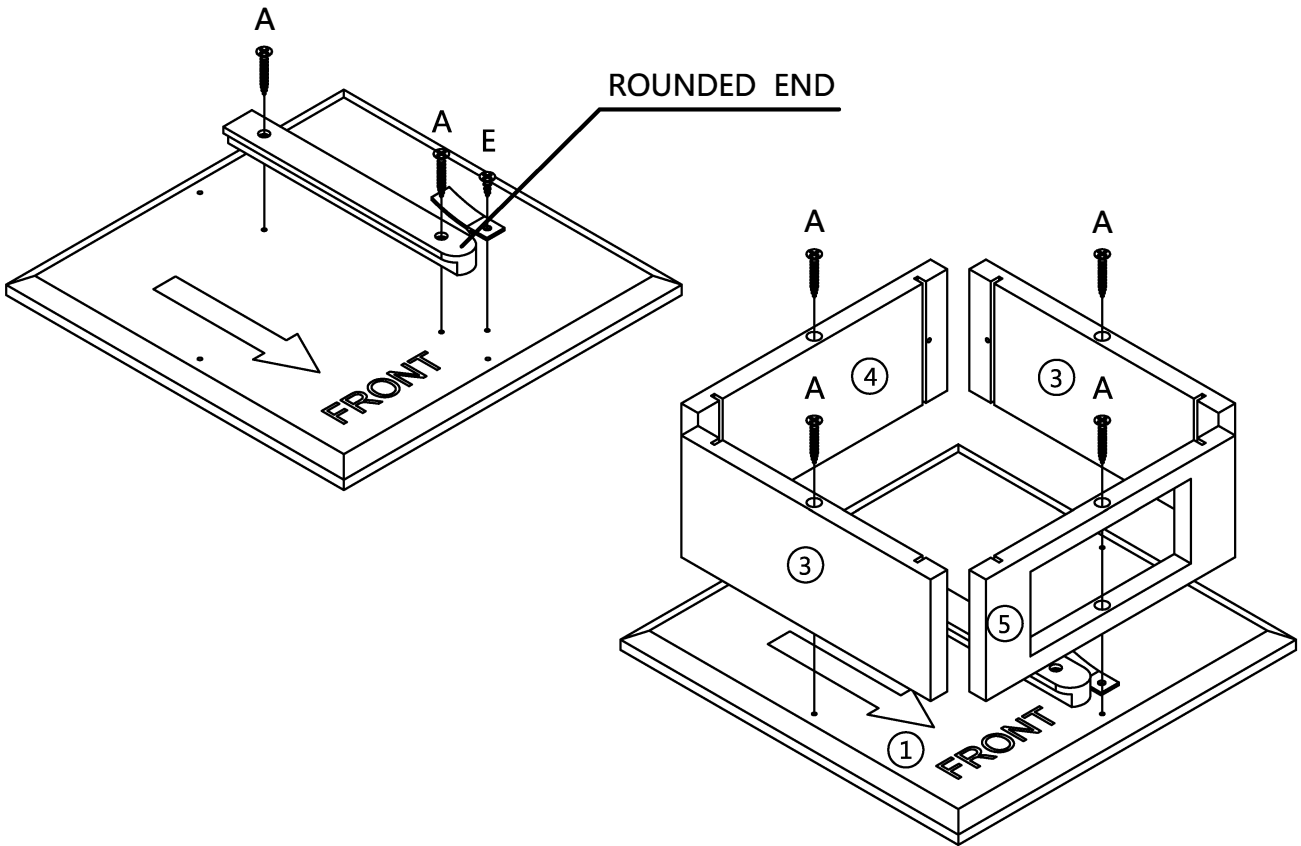
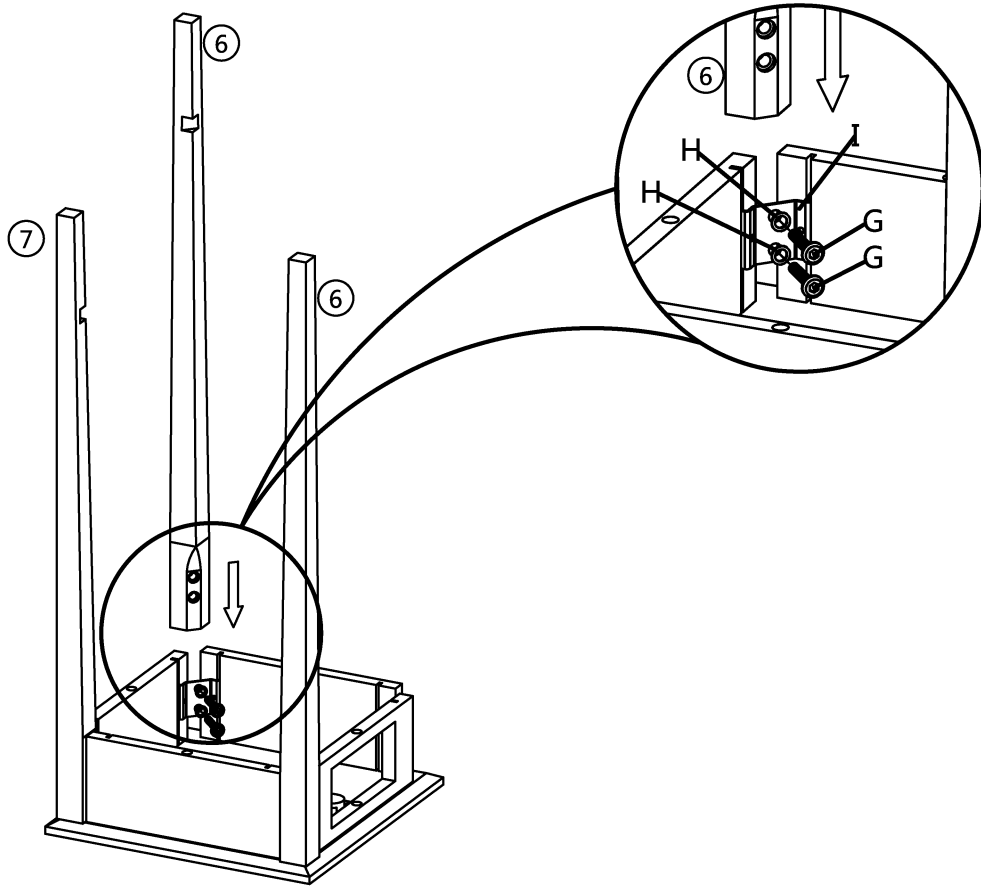


1

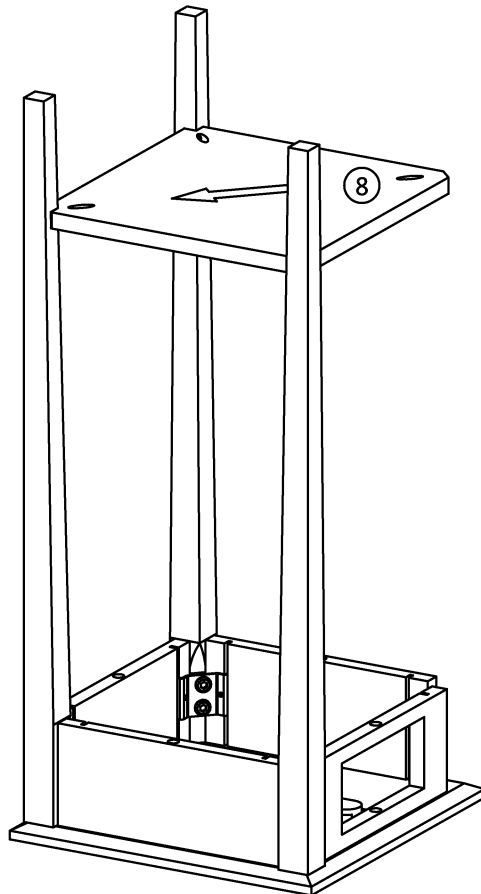


Note: The Drawer Slide Crossbar (2) should be assembled with round end toward the front of the table and with the widest part of its surface away from the table top as shown.

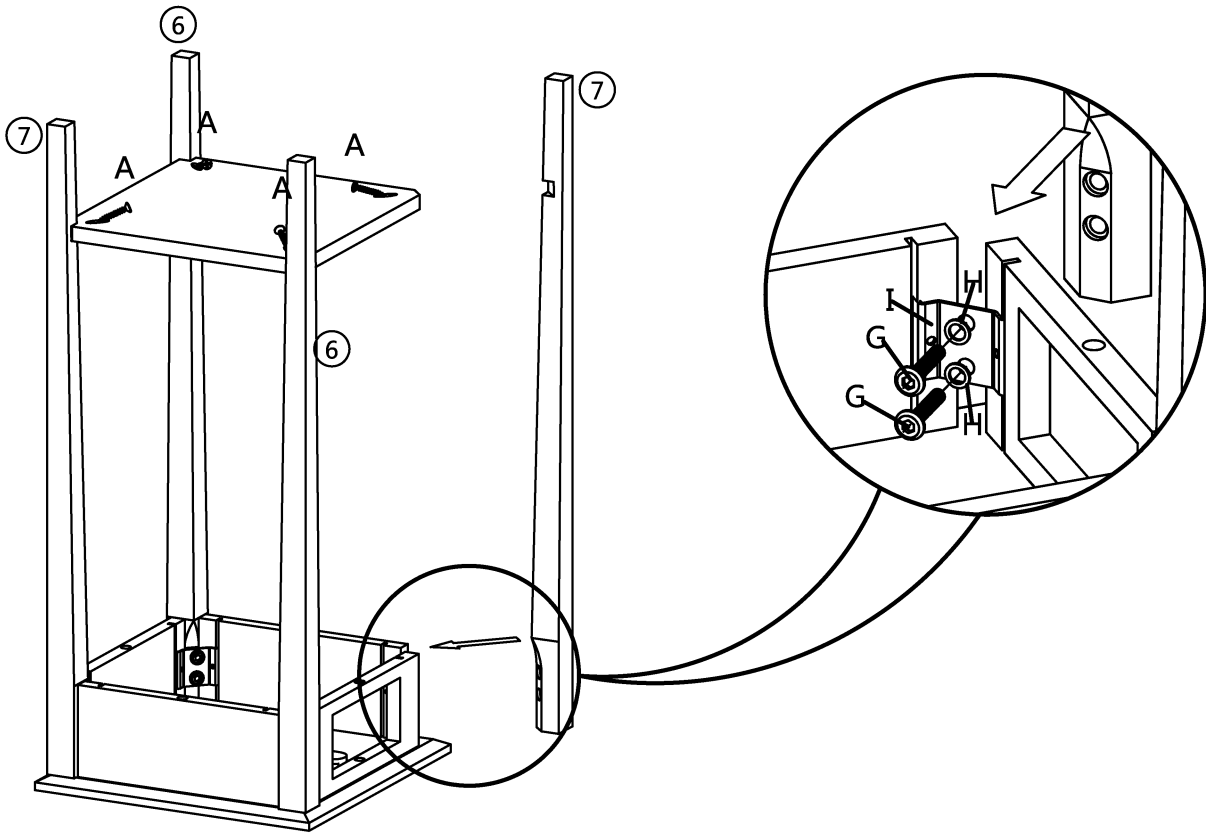
2



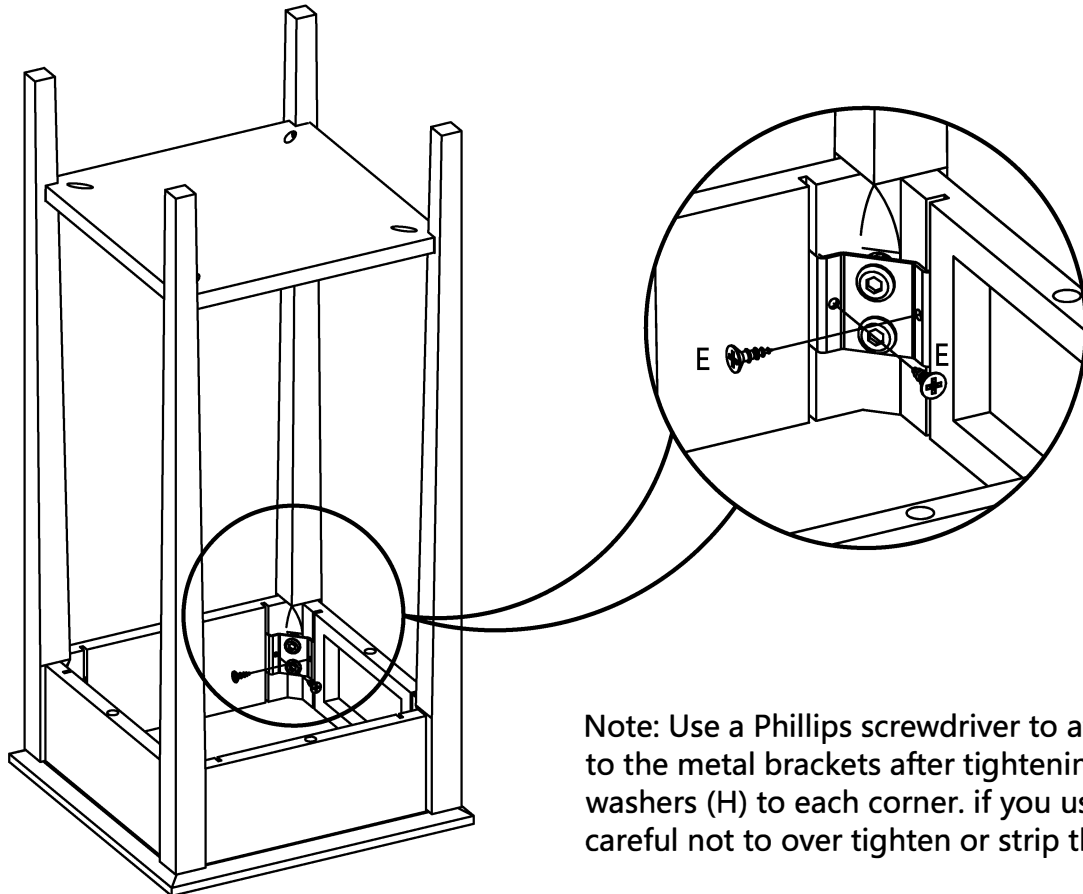
3



4

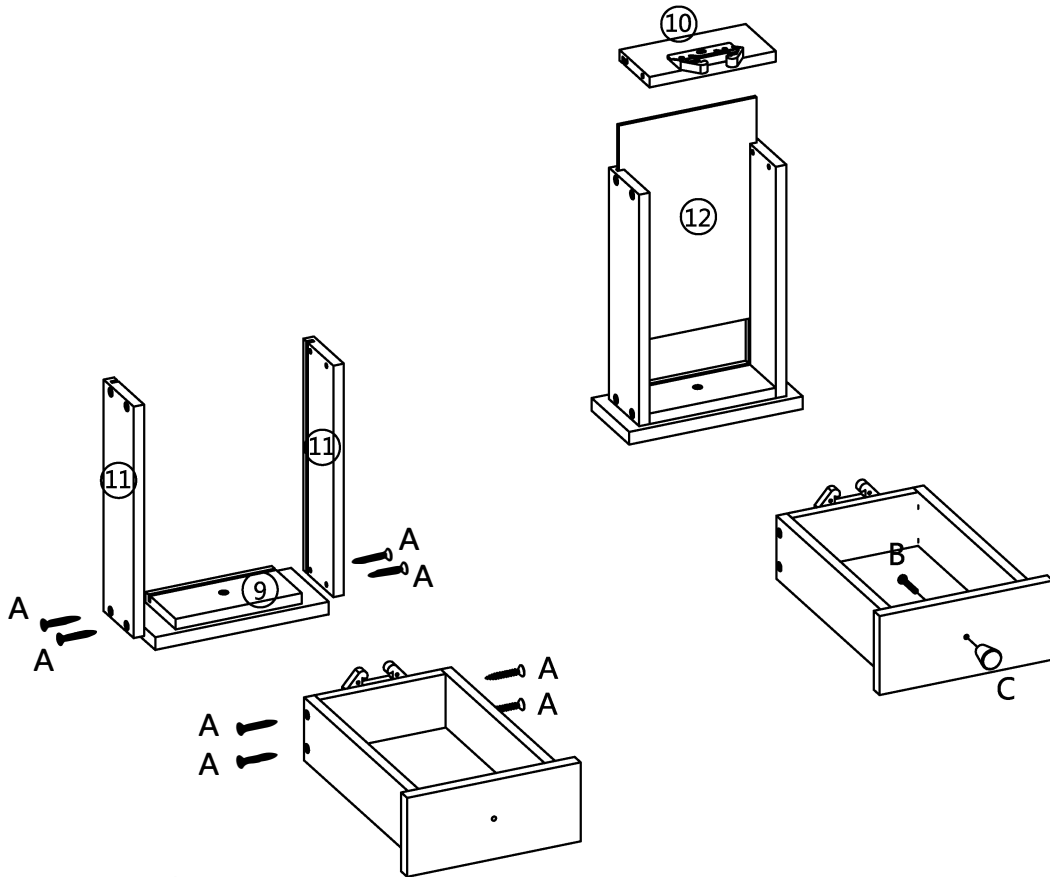


5



Note: Use a Phillips screwdriver to attach screws E to the metal brackets after tightening bolts (G) with washers (H) to each corner. If you use a drill, be careful not to over-tighten or strip the wood.

6



Tip the rear of the drawer down allowing the Nylon Drawer Glide bracket room to go up and through the drawer opening of the front apron and then insert over the drawer glide

7

