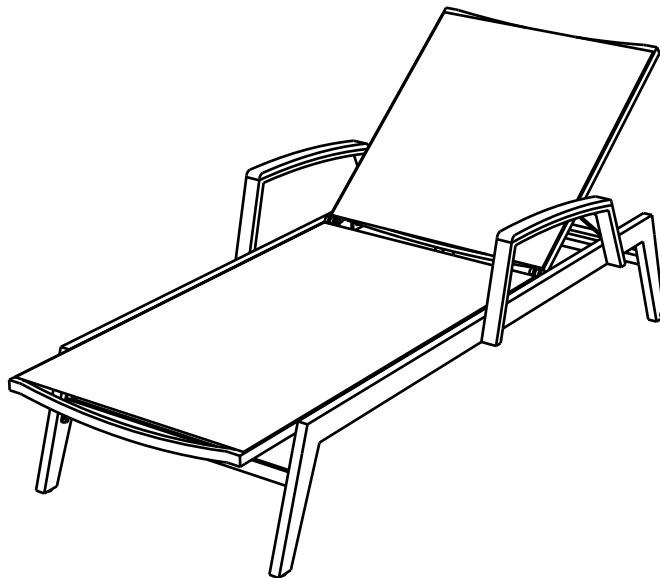




Chaise Lounge

Model#: 580075



Read the instructions before use of this product.

Please keep this instruction manual for future reference.

⚠ NOTICE

- Please keep children away during assembly. This item contains small parts that can be dangerous for children. Children should always be under direct adult supervision while using this product.
- Do not discard any of the packaging until you have checked that you have all of the parts and fittings required.
- Carefully remove the contents from the package. If any parts are missing, broken, damaged, do not attempt to use the product until they have been obtained.
- Make sure that each bolt needed for all steps matches the corresponding figure ensure proper assembly.
- Please do not exceed the weight limitations of this item.
- Do not stand on or use any part of this item as a step ladder.
- Firmly secure all bolts, screws and knobs before use.
- Be aware that some parts are heavy and have sharp edges.
- Do not use or store this item in the proximity of open flame or flammable/combustible chemicals.

CLEANING AND MAINTENANCE

Since color variation over time is natural for outdoor teak furniture, we recommend the following care for best results:

- To maintain teak furnishings, use a soft bristled utility brush and stroke lightly in the direction of the grain to remove surface dust. For more stubborn dirt, the wood may be cleaned with a mild solution of laundry detergent or dish washing soap, then rinsed thoroughly and allowed to dry completely. Avoid the use of harsh cleaners and abrasives.
- If you wish to maintain the original color of the teak, you can apply a teak oil or sealer. Teak oils provide some UV protection; however it requires periodic refinish applications – once or twice per year depending on the amount of exposure to the sun. After sealing (covering) the furniture, bringing it indoors is still recommended during inclement weather or when not in use.
- The furniture will still turn gray over time which is normal. If you have a need to take gray untreated teak away and bring it back to its original color, a little sanding (with 240 grit sandpaper) will help. Once it is sanded smoothly, it leaves a little delicate grey to make semi rustic looking. And then reapply teak oil or just leave it as it is.

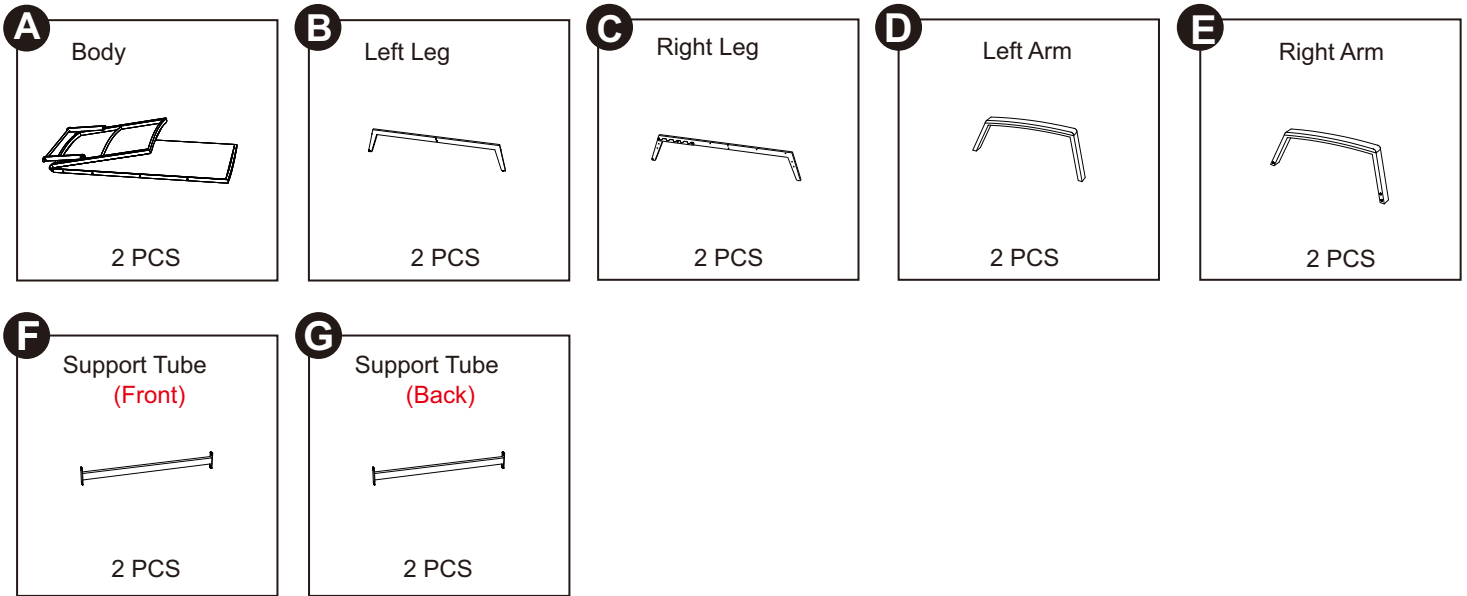
STORAGE AND LONG TERM CARE

- If you want to store your furniture over the winter, it is recommended to store it in a garden shed, garage or outhouse. However do not move teak furniture from the garden straight into a heated room for storage, as the sharp change in temperature and humidity may cause the wood to split. Make sure furniture is completely dry before storage.
- Do not cover the wood with plastic, this can cause moldy. Cover furniture with outdoor covers (sold separately) when left outdoors during inclement weather or when not in use.
- Store cushions separately from furniture to prevent potential wet and deformation of cushions. After long use and/or if the wood gets dry, it can be necessary to retighten the screws (with moderate strength).
- Please use proper tools to retighten the screws.
The stain and discolor should be almost prevented if customer follow the process to regularly maintain furniture.

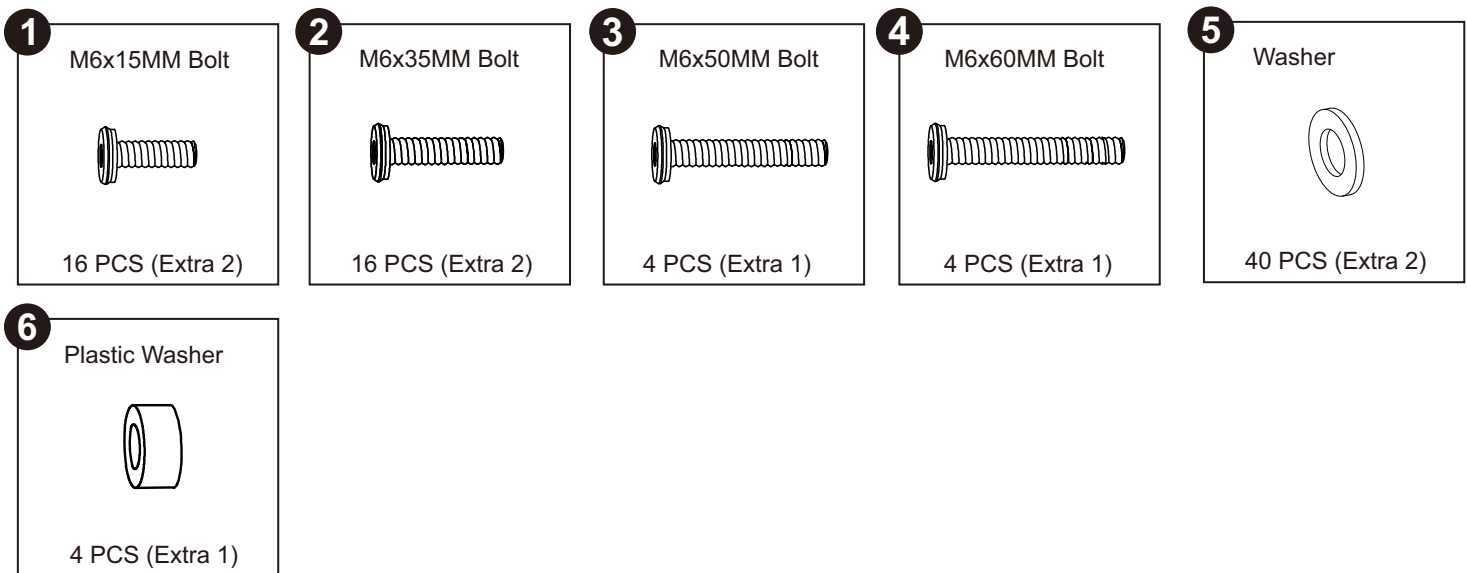
USE OF FURNITURE

- Never place hot dishes directly on to the wood as they will mark the surface.
Wipe up spills immediately as the oiled surface is more susceptible to stains than a lacquered finish and the wood will absorb moisture causing the grain to rise slightly.
- Take care when moving furniture and never drag pieces as this will cause damage to the joints.

PARTS



HARDWARE



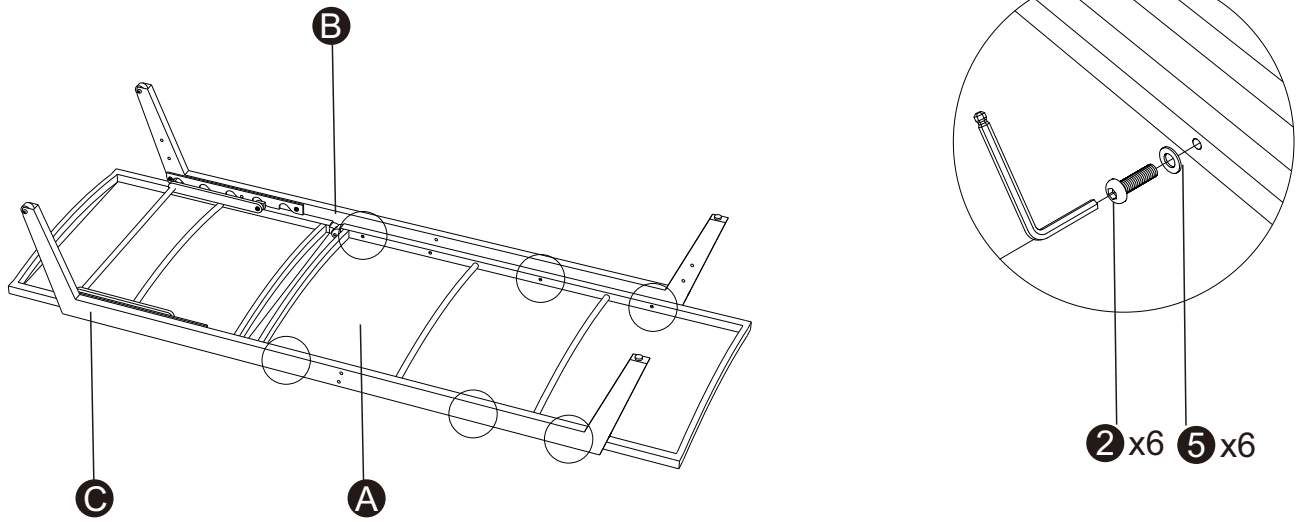
TOOLS REQUIRED



Allen Wrench 1 PC

PARTS

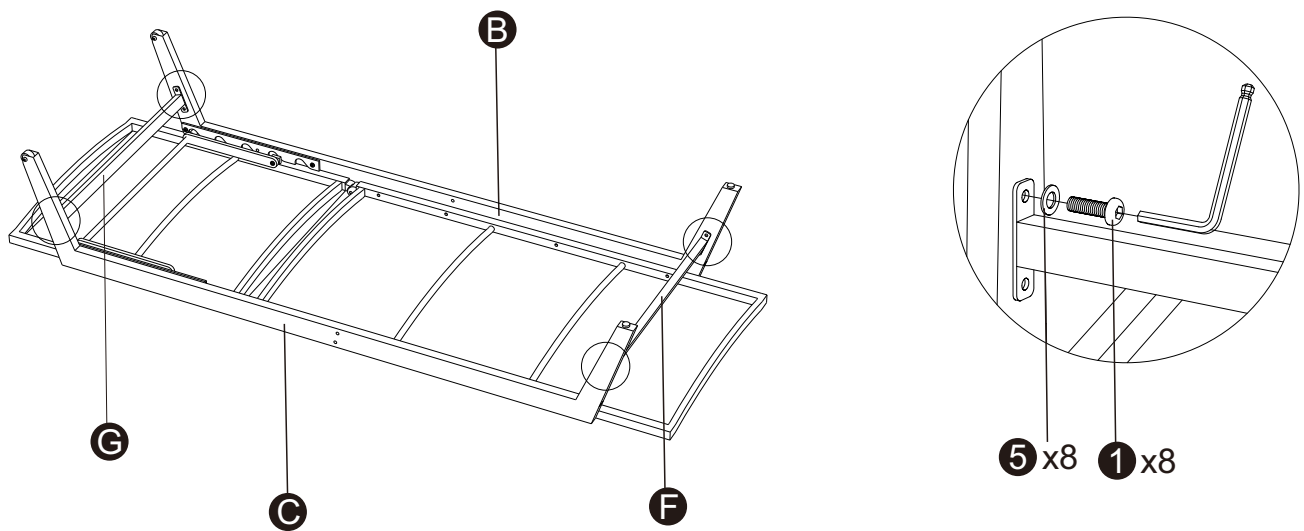
1



Attach left leg (B) and right leg (C) to body (A) using bolts (2), washers (5) and allen wrench.

NOTE: Please do not fully tighten bolts until unit is fully assembled.

2

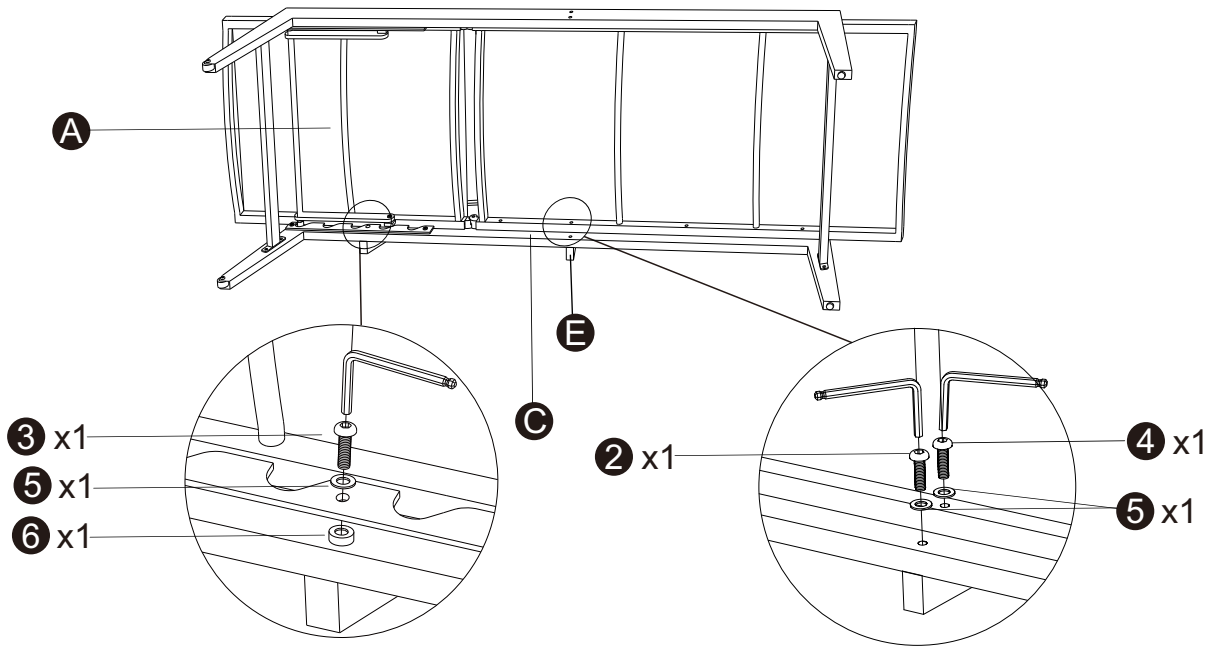


Attach support tubes (F&G) to left leg (B) and right leg (C) using bolts (1), washers (5) and allen wrench.

NOTE: Please do not fully tighten bolts until unit is fully assembled.

PARTS

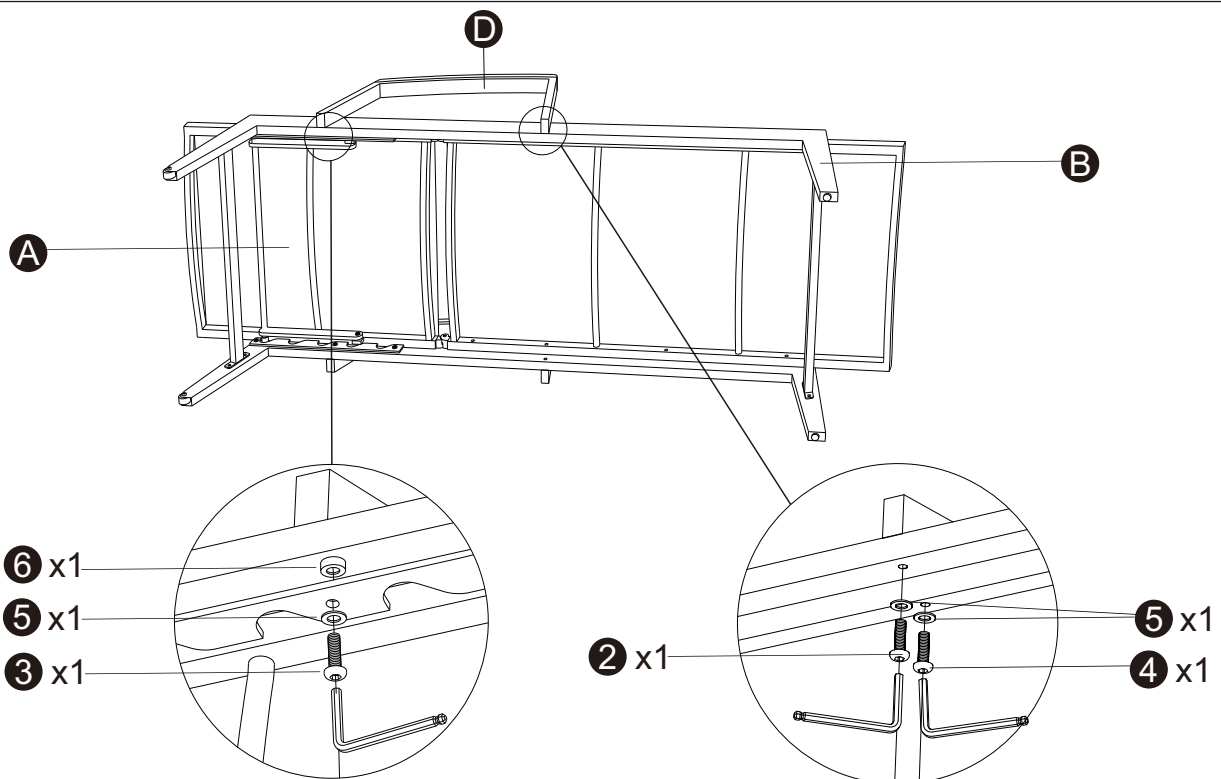
3



Attach right arm (E) to body (A) and right leg (C) using bolts (2&3&4), washers (5), plastics washers (6) and allen wrench.

NOTE: Please do not fully tighten bolts until unit is fully assembled.

4

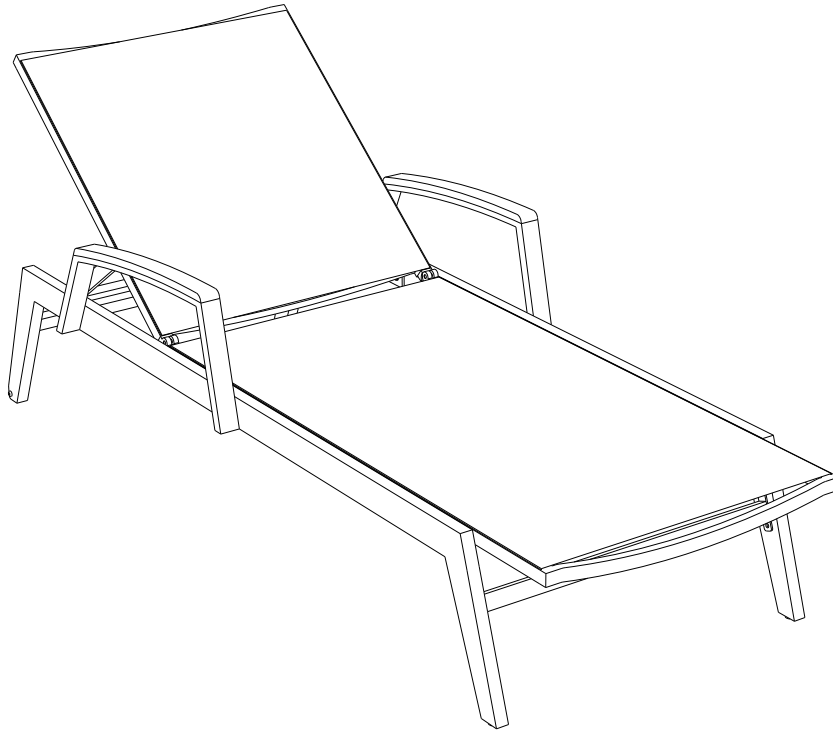


Attach left arm (D) to body (A) and left leg (B) using bolts (2&3&4), washers (5), plastics washers (6) and allen wrench.

NOTE: Please fully tighten all bolts at this time.

PARTS

5



Carefully turn assembled unit upright on a flat surface.
Repeat step 1-5 assembled remaining chaise lounge.

ENJOY YOUR PRODUCT NOW!



PLEASE DO NOT RETURN THIS PRODUCT TO THE RETAILER.

*If you find that you have any trouble or missing or damaged parts,
please contact us. We're here 7 days a week to help you!*



1-818-963-1558



phf@peakhomefurnishings.com

If we missed you call, please leave a detailed message including your name and phone number. We will call back as soon as possible.

SOCIAL MEDIA

Follow us on our Social Media by uploading a picture of our brands furnishings in your home, you will have chance to get our newest product free.

 [Facebook.com/Peak-Home-FurnishingsInc100085516683215/](https://www.facebook.com/Peak-Home-FurnishingsInc100085516683215/)

 [Instagram.com/peakhomefurnishings](https://www.instagram.com/peakhomefurnishings)

 [x.com/peakhomefurnis1](https://www.x.com/peakhomefurnis1)

 [Pinterest.com/peakhome88](https://www.pinterest.com/peakhome88)

 [@PeakHomeFurnishings](https://www.youtube.com/@PeakHomeFurnishings)

Check out more great products: www.peakhomefurnishings.com