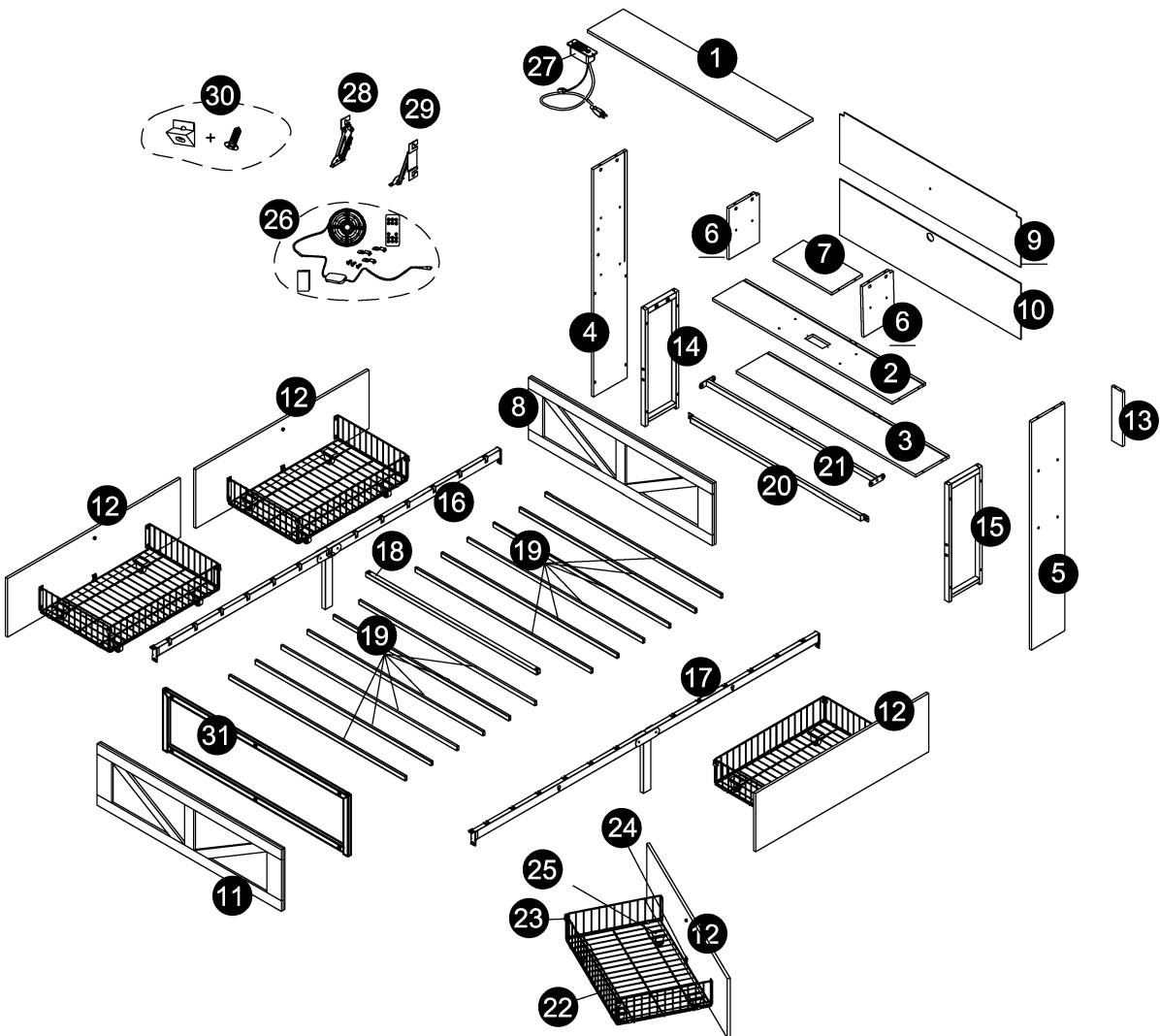


Note:

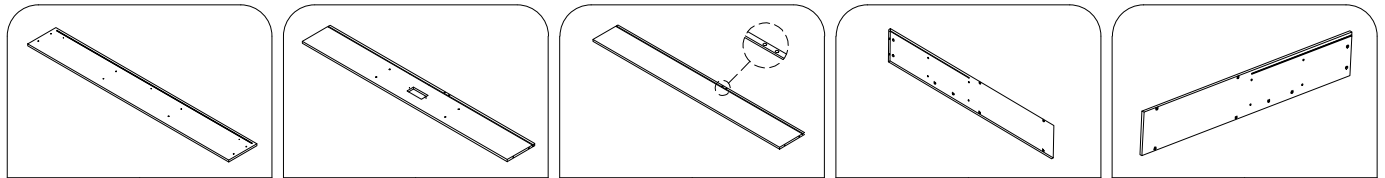
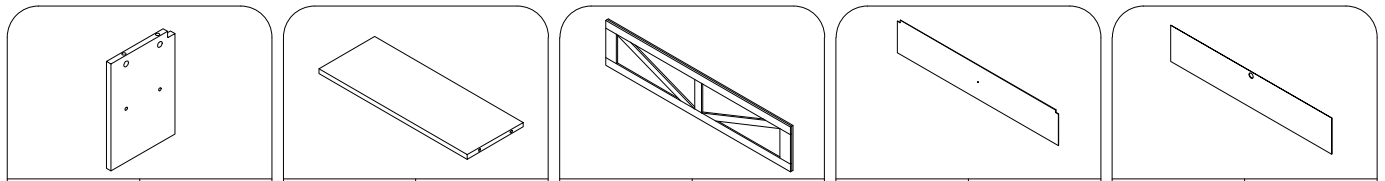
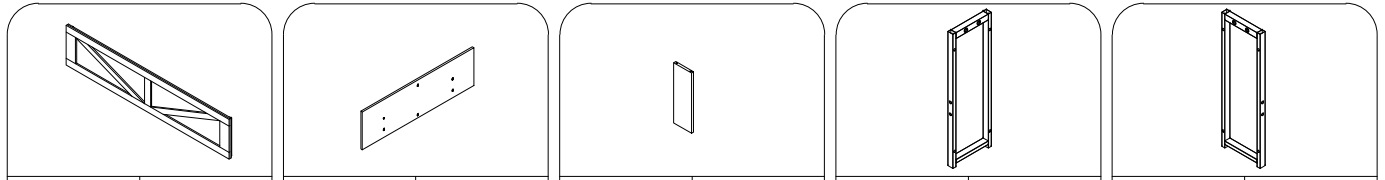
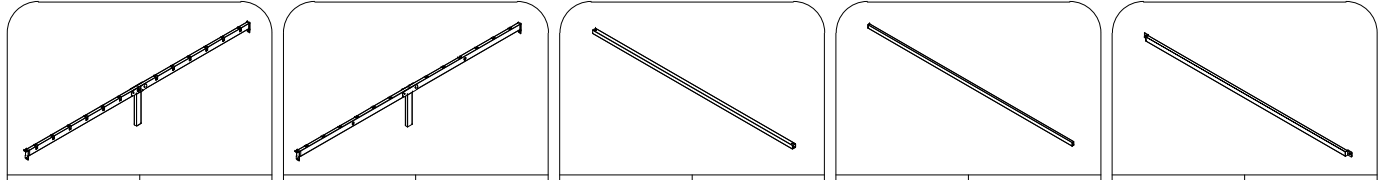
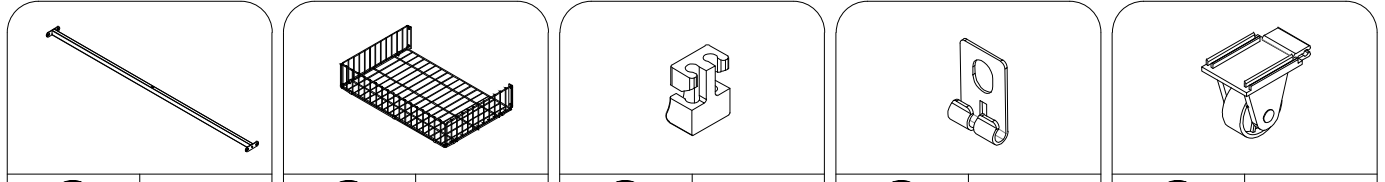
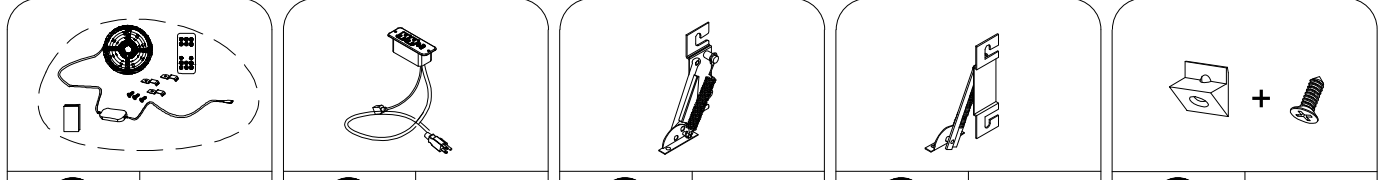
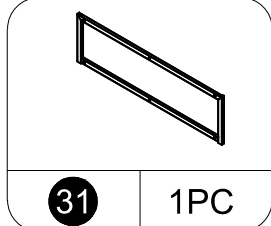
Should be assembled on flat ground to keep balance.

It needs at least two people to install.

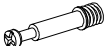

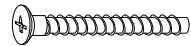


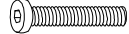
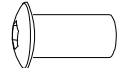

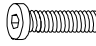
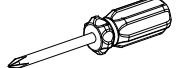

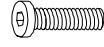
Before starting the assembly, you must read the whole manual and follow the instructions.



! Pls make sure all the accessories are complete!

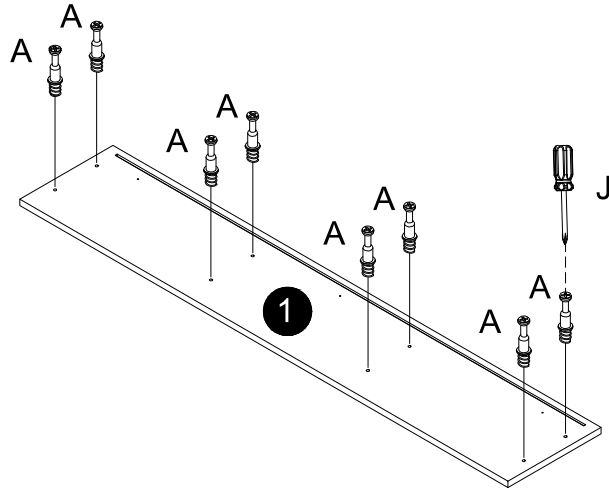
	1	1PC	2	1PC	3	1PC	4	1PC	5	1PC
	6	2PCS	7	1PC	8	1PC	9	1PC	10	1PC
	11	1PC	12	4PCS	13	1PC	14	1PC	15	1PC
	16	1PC	17	1PC	18	1PC	19	12PCS	20	1PC
	21	1PC	22	4PCS	23	8PCS	24	4PCS	25	16PCS
	26	1PC	27	1PC	28	1PC	29	1PC	30	8PCS
	31	1PC								

! Pls make sure all the accessories are complete!

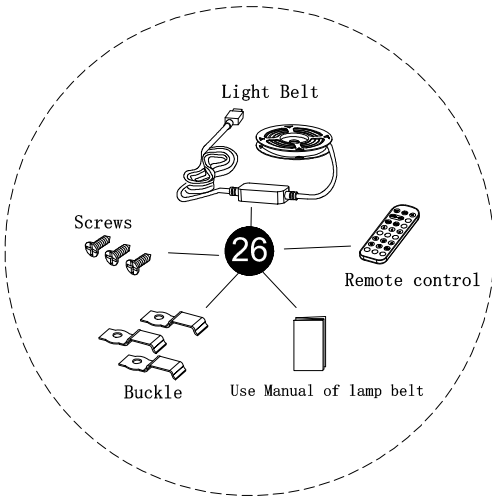
 A (8+1)PCS	 B (8+1)PCS	 C (21+2)PCS	 D (2+1)PCS	 E (34+3)PCS
 F (11+1)PCS	 G (2+1)PCS	 H (10+1)PCS	 I (2+1)PCS	 J 1PC
 K 2PCS	 L (6+1)PCS			

Step 1

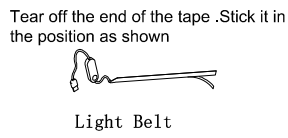
A			8pcs
J			1pc



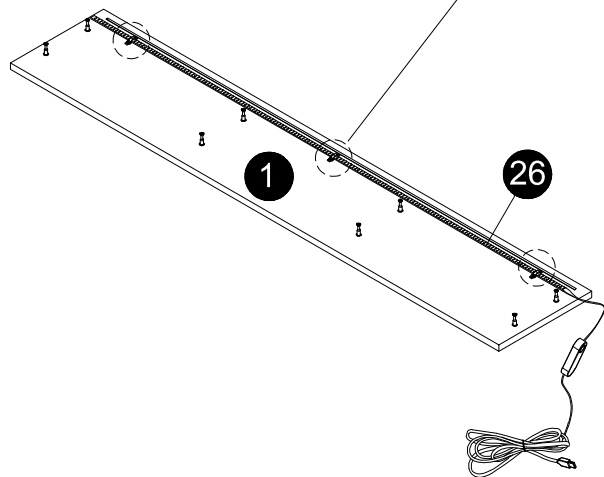
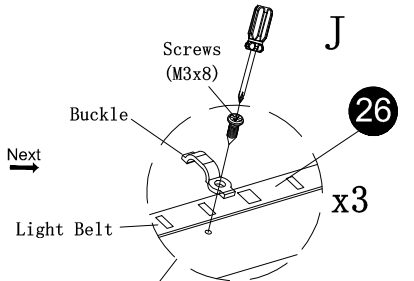
Step 2




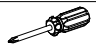
Next →

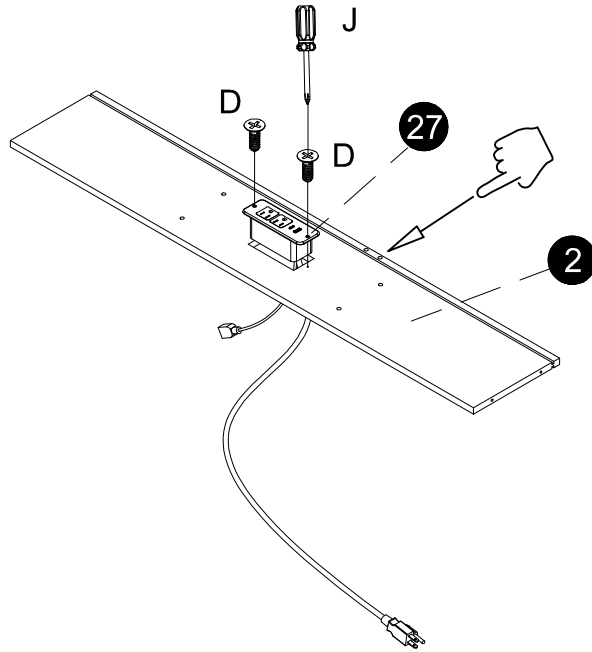


Next →

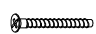



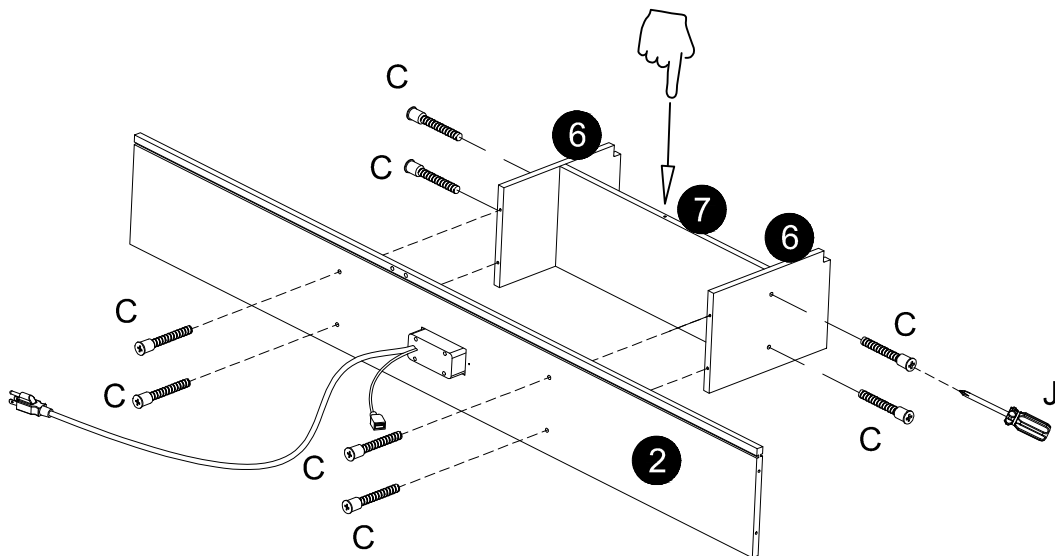
Step 3

D		M4x12	2pcs
J			1pc

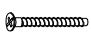



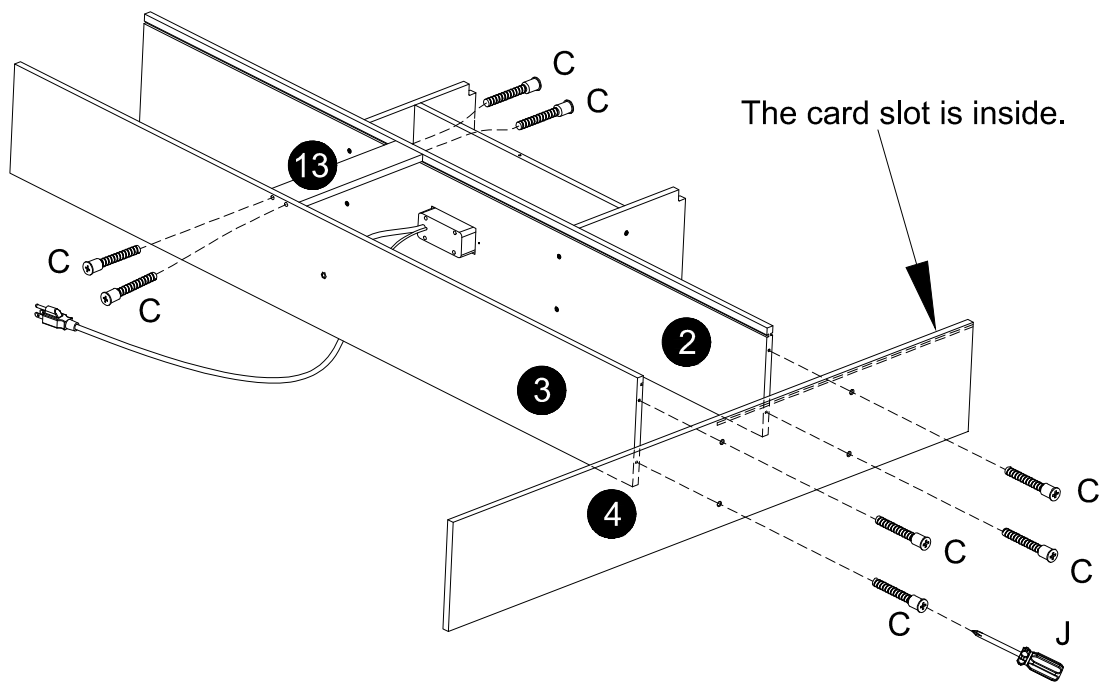
Step 4

C		5*35mm	8pcs
J			1pc

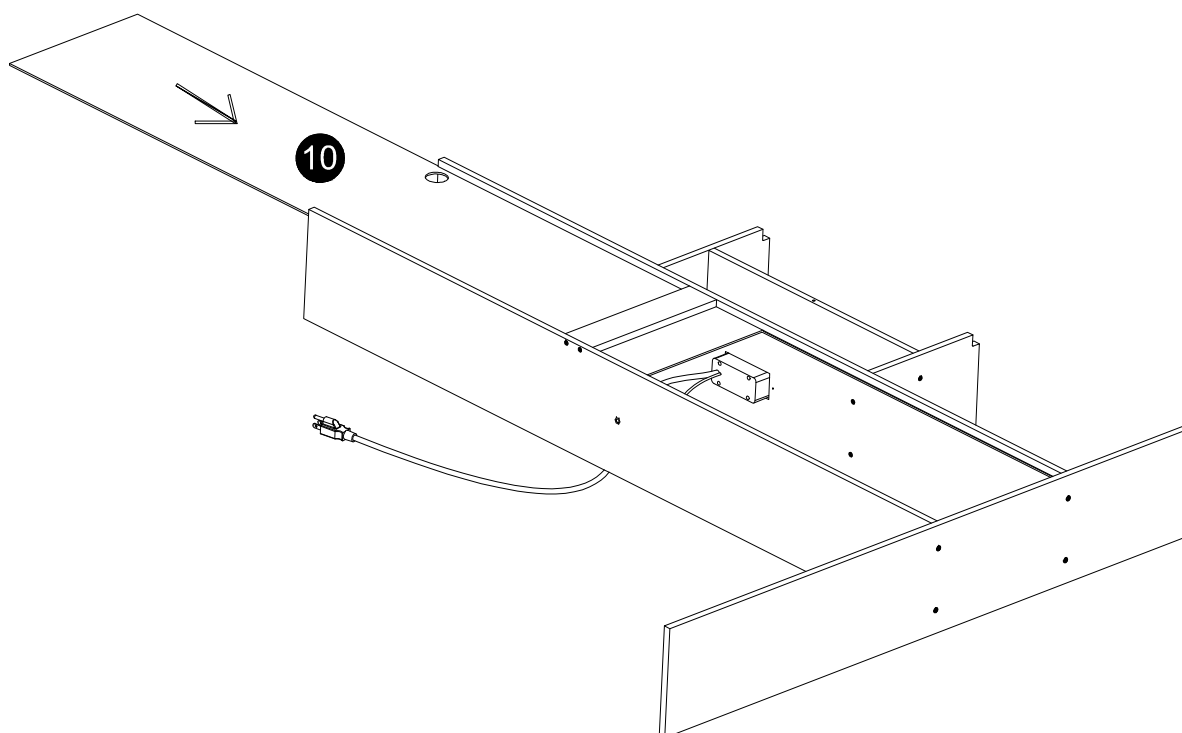


Step 5

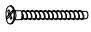

C		5*35mm	8pcs
J			1pc

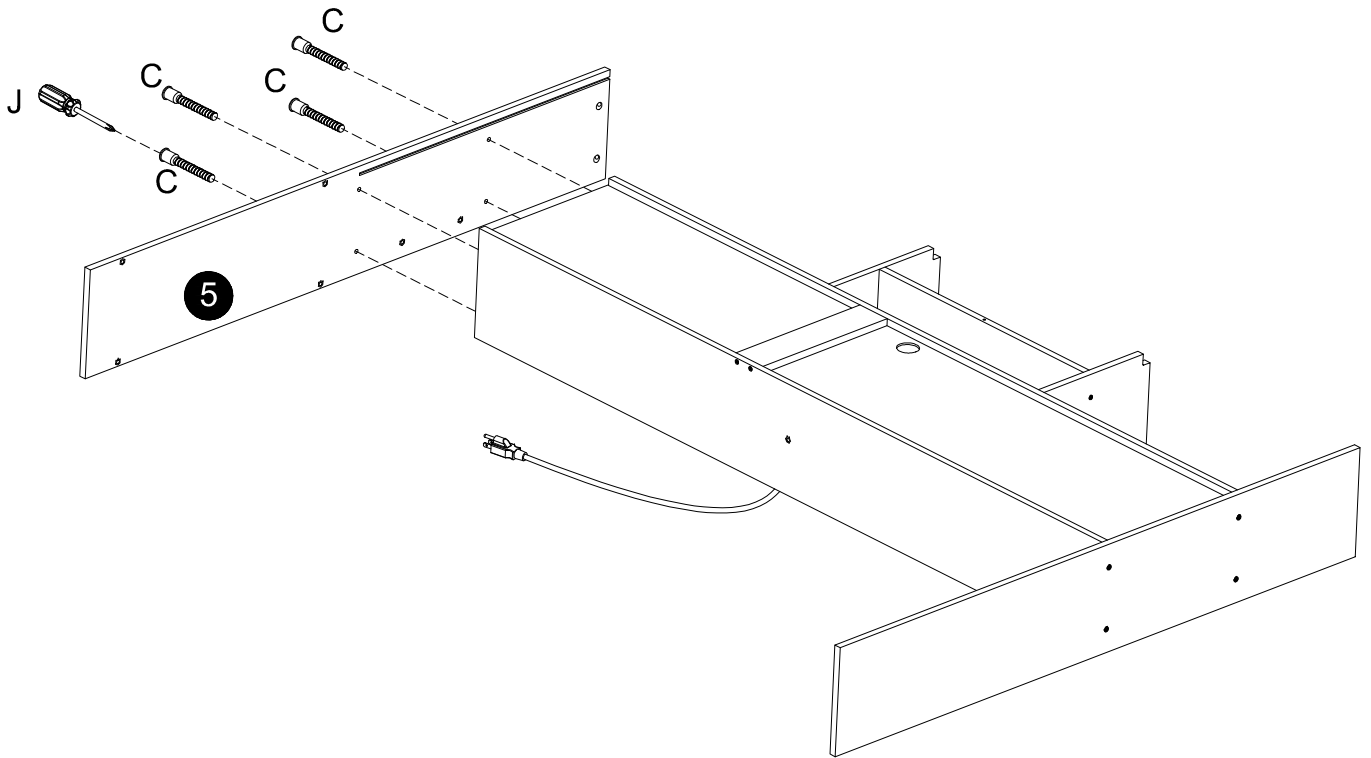


Step 6

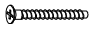



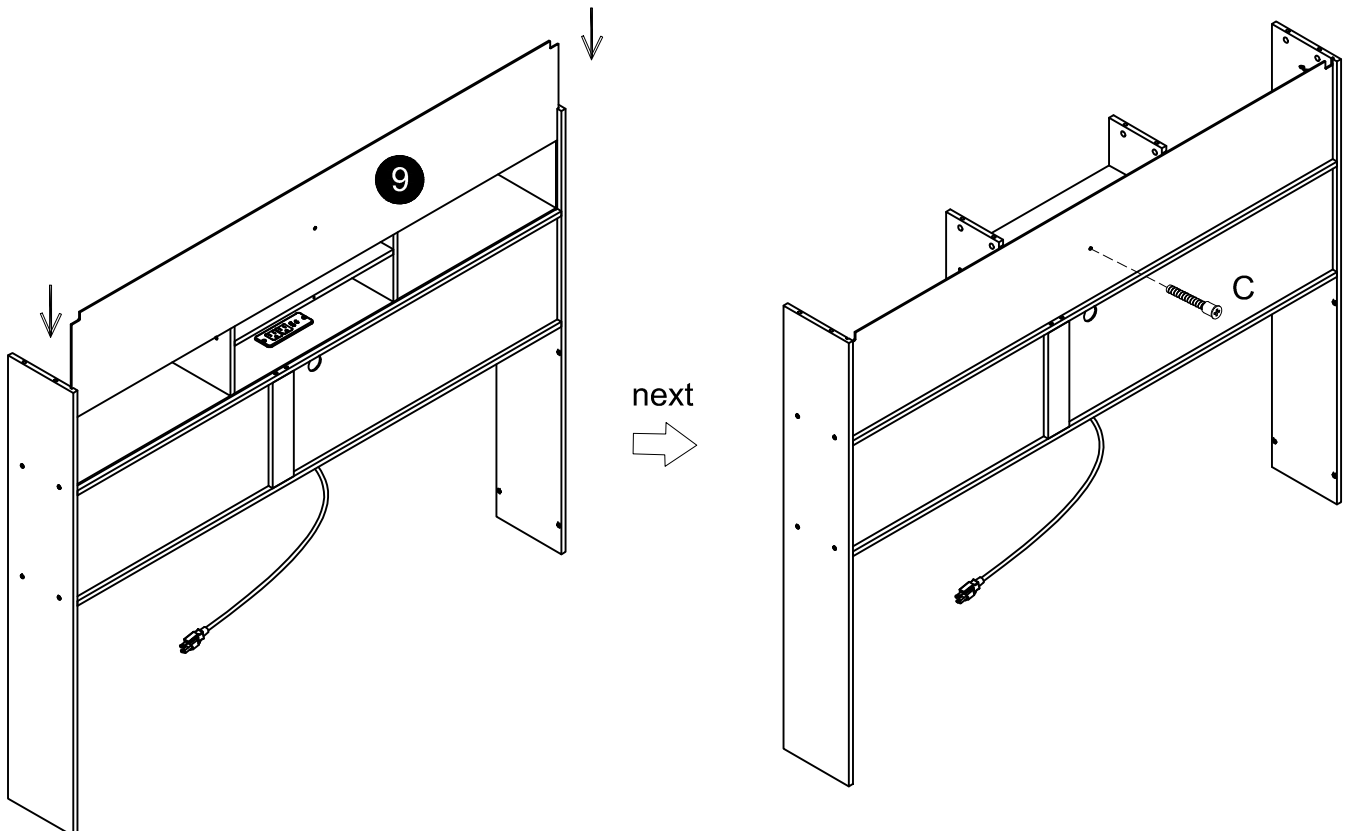
Step 7

C		5*35mm	4pcs
J			1pc



Step 8

C		5*35mm	1pc
J			1pc

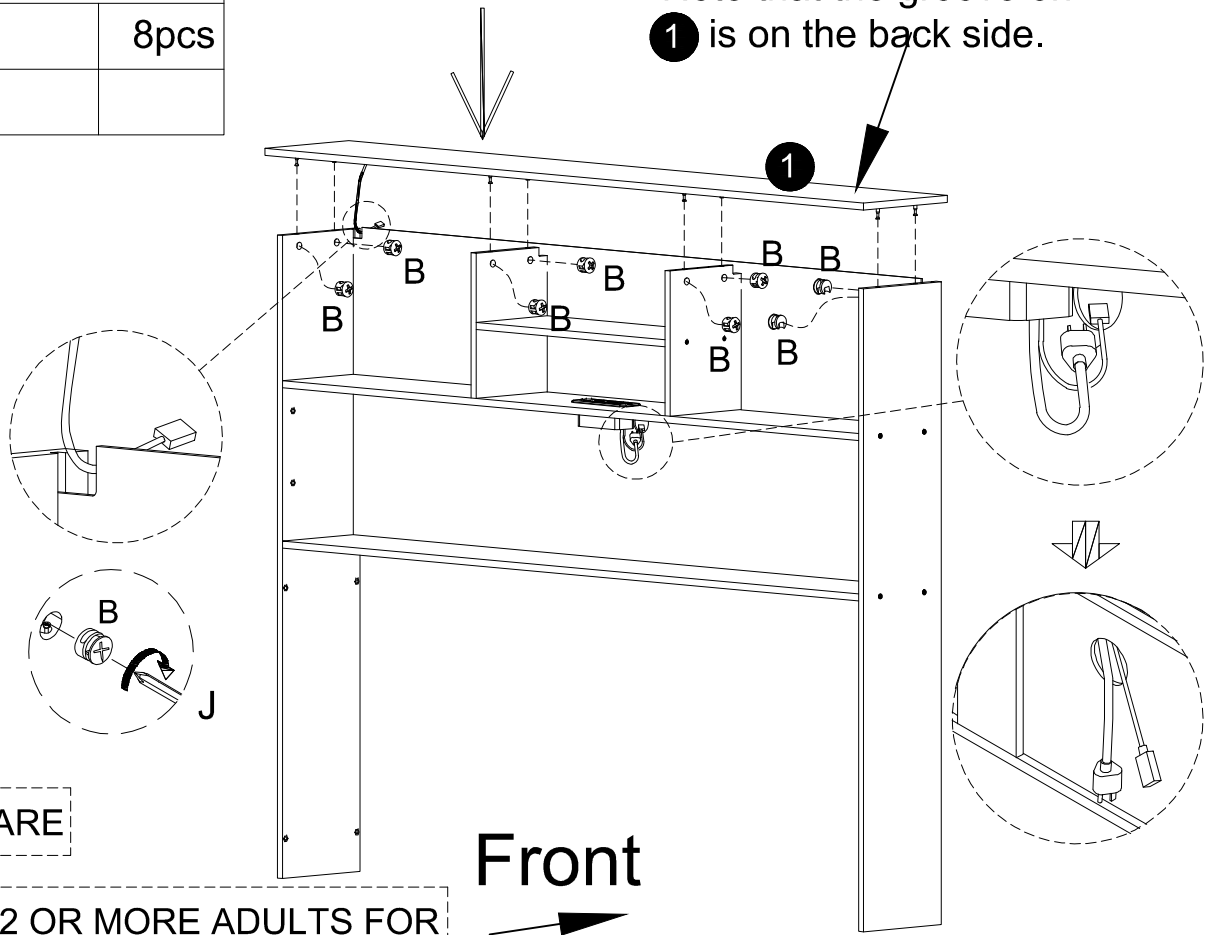


Step 9

B			8pcs
---	---	--	------

J			
---	---	--	--


Note that the groove on **1** is on the back side.




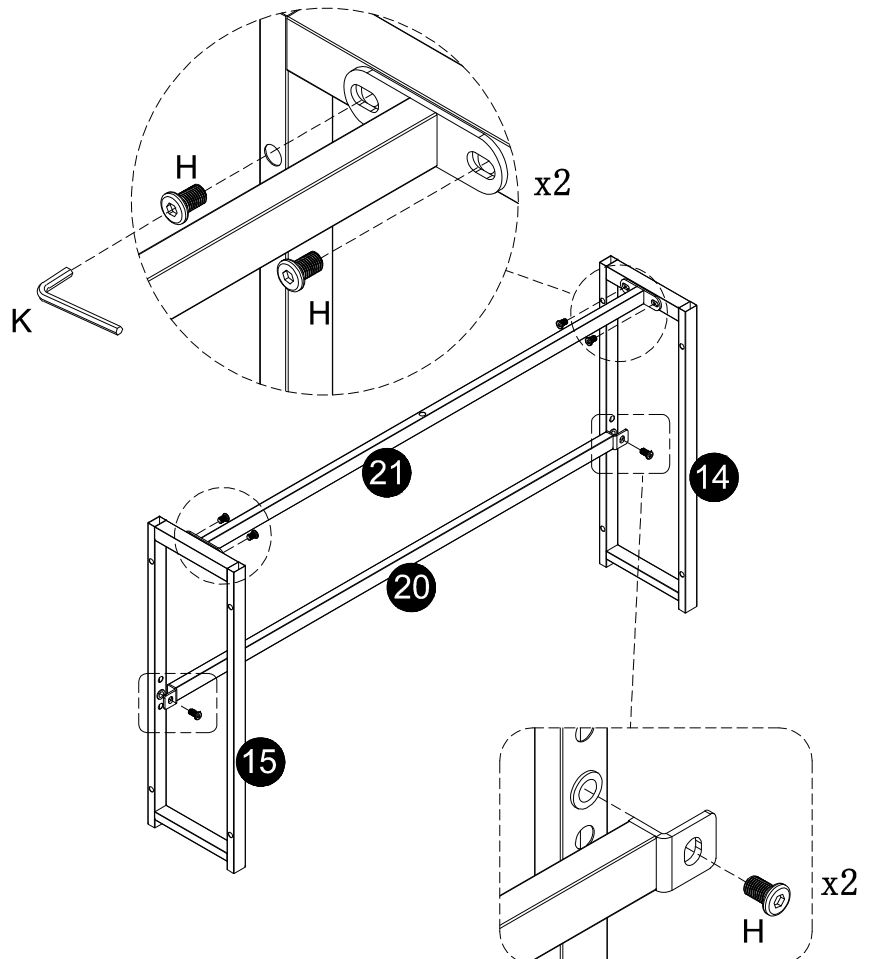
⚠ DUMP WITH CARE

⚠ RECOMMEND 2 OR MORE ADULTS FOR QUICKER ASSEMBLY



Step 10

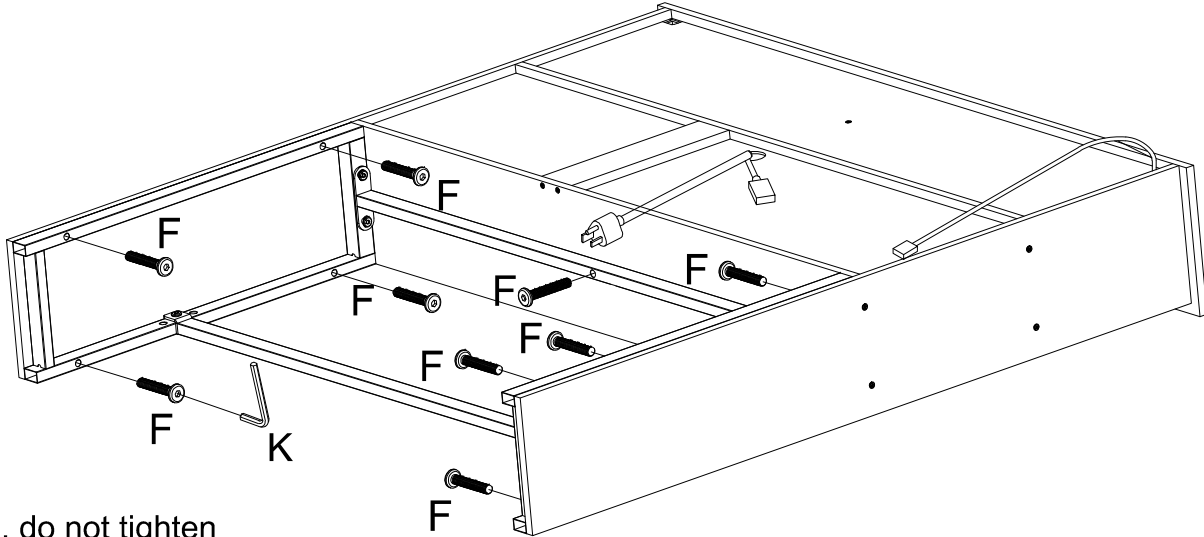
H		M8*12mm	6pcs
---	---	---------	------

K		4mm	1pc
---	---	-----	-----






Step 11

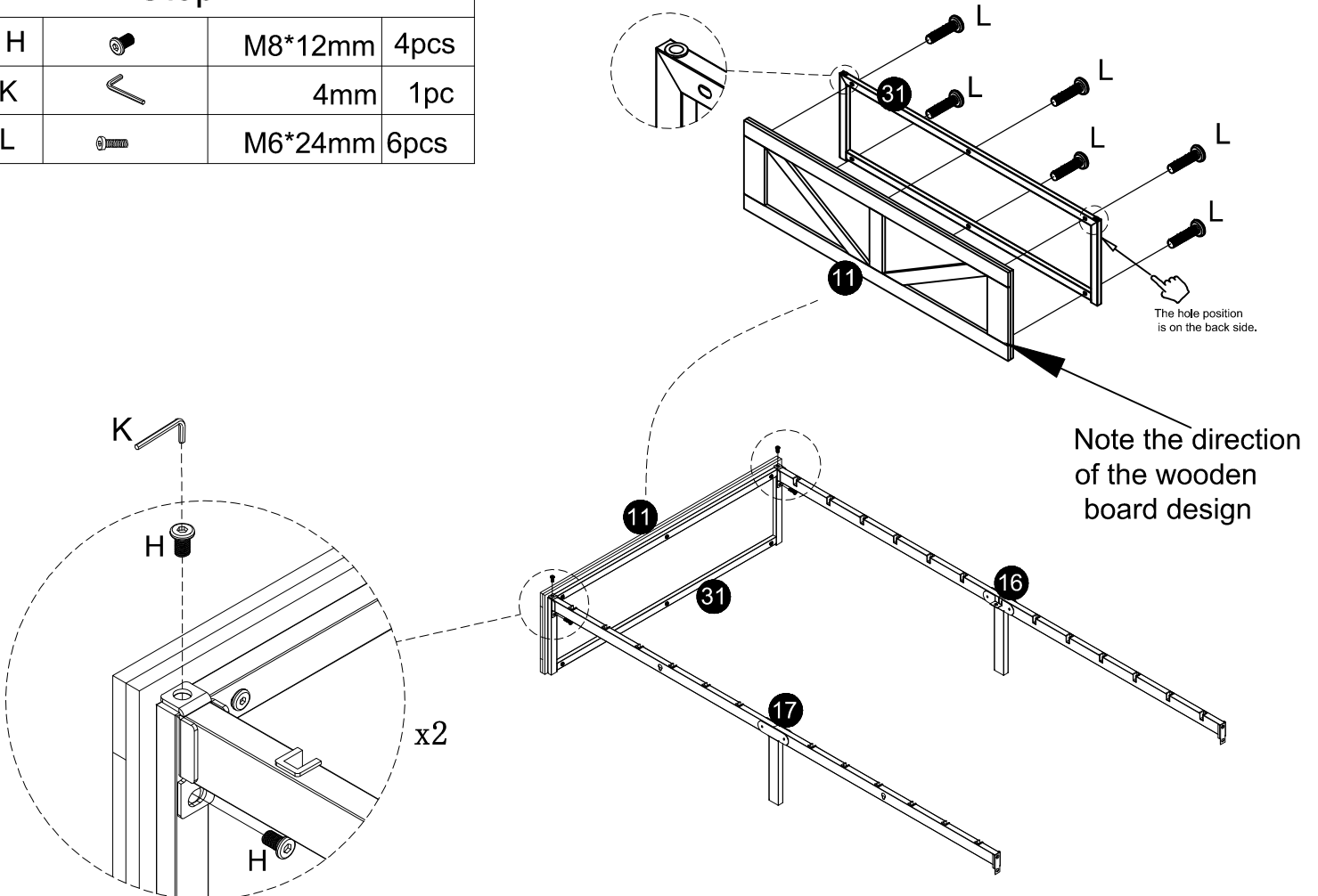
F		M6*34mm	9pcs
K		4mm	1pc







Note, do not tighten the screws yet, first align each screw with the holes before tightening.

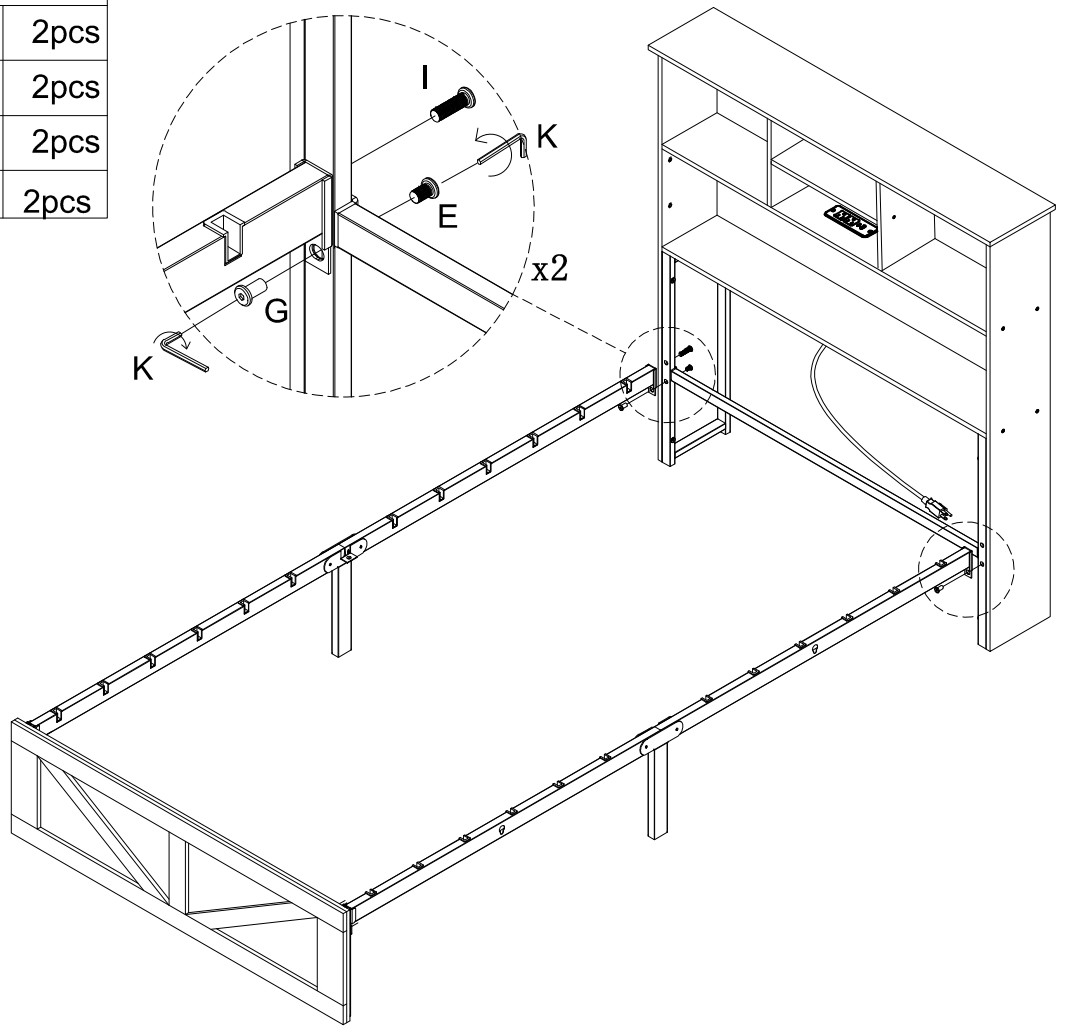
Step 12

H		M8*12mm	4pcs
K		4mm	1pc
L		M6*24mm	6pcs





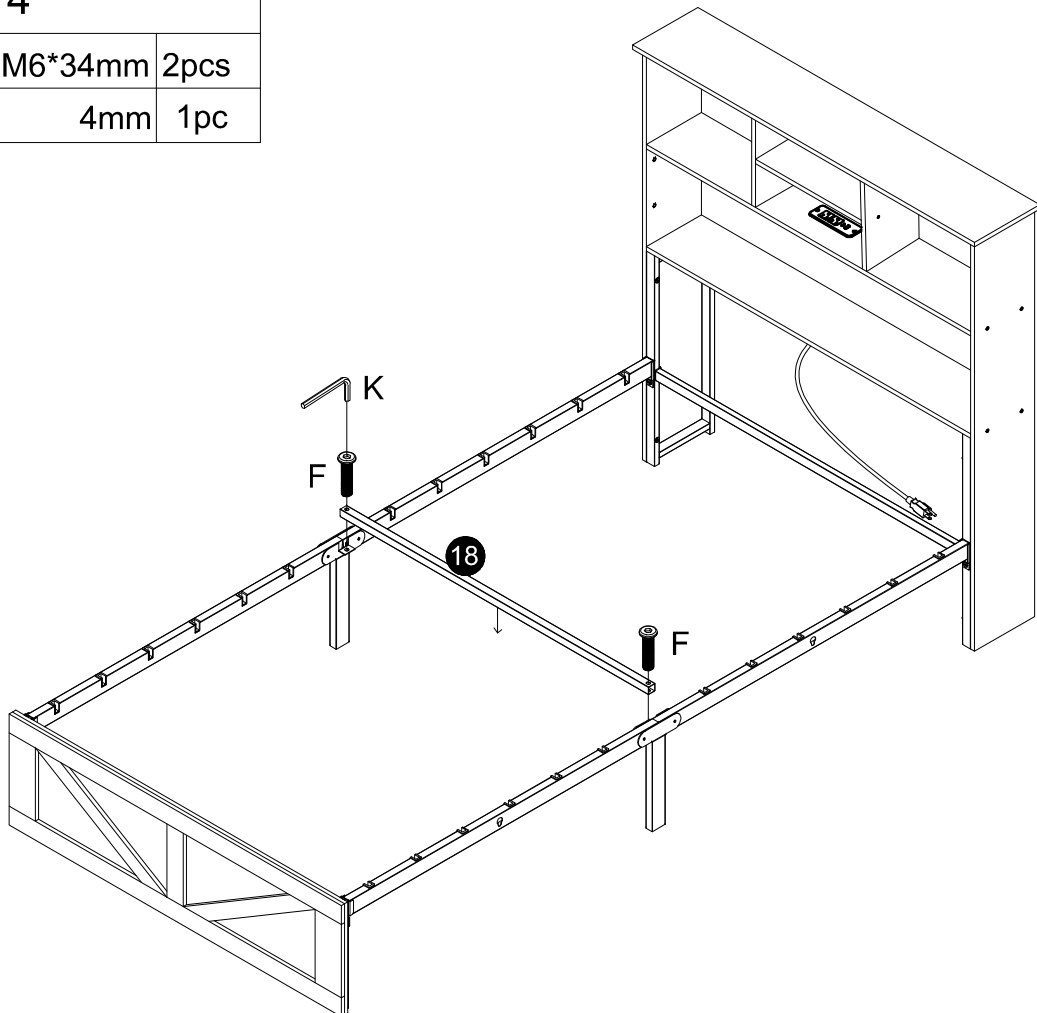
Step 13

E		M6*10mm	2pcs
G		M6*15mm	2pcs
I		M8*25mm	2pcs
K		4mm	2pcs

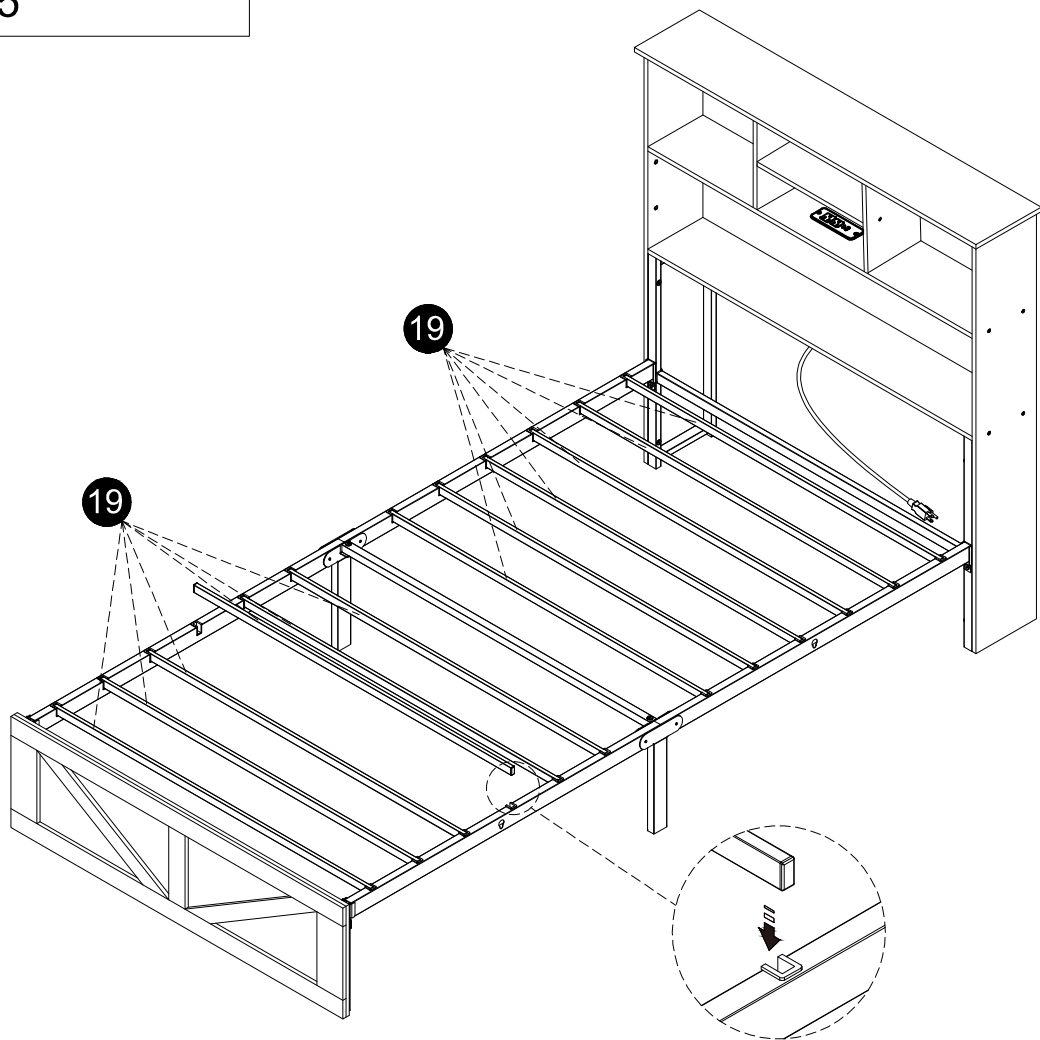


Step 14



F		M6*34mm	2pcs
K		4mm	1pc

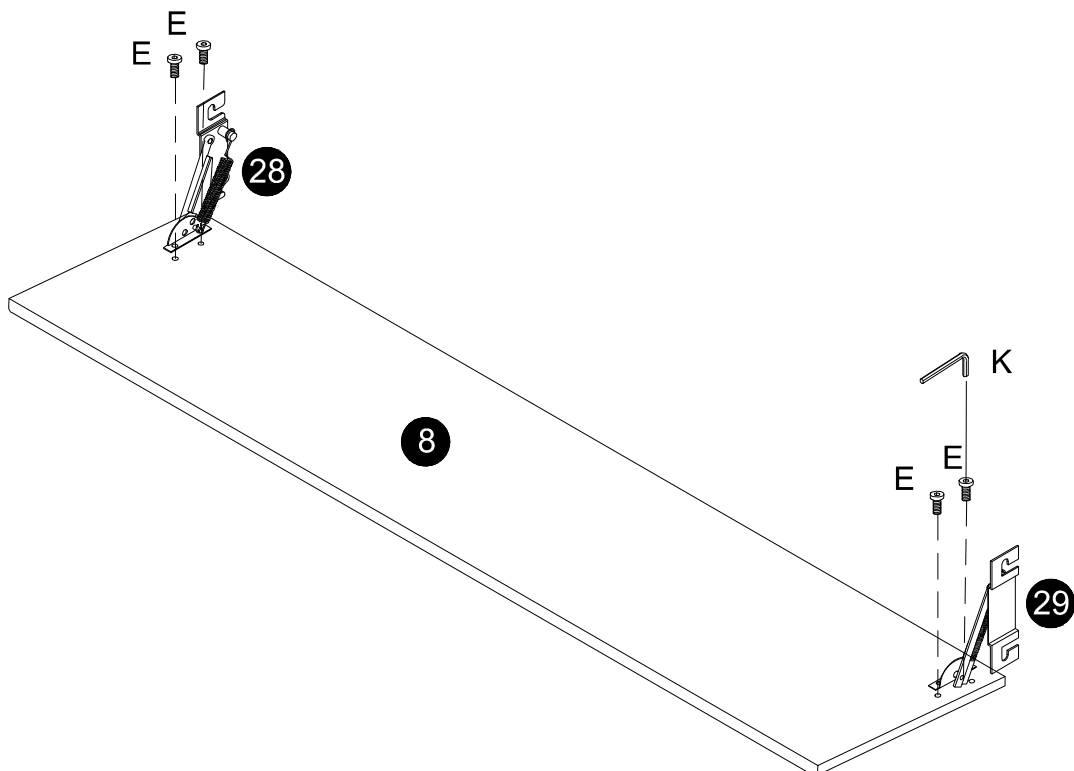


Step 15





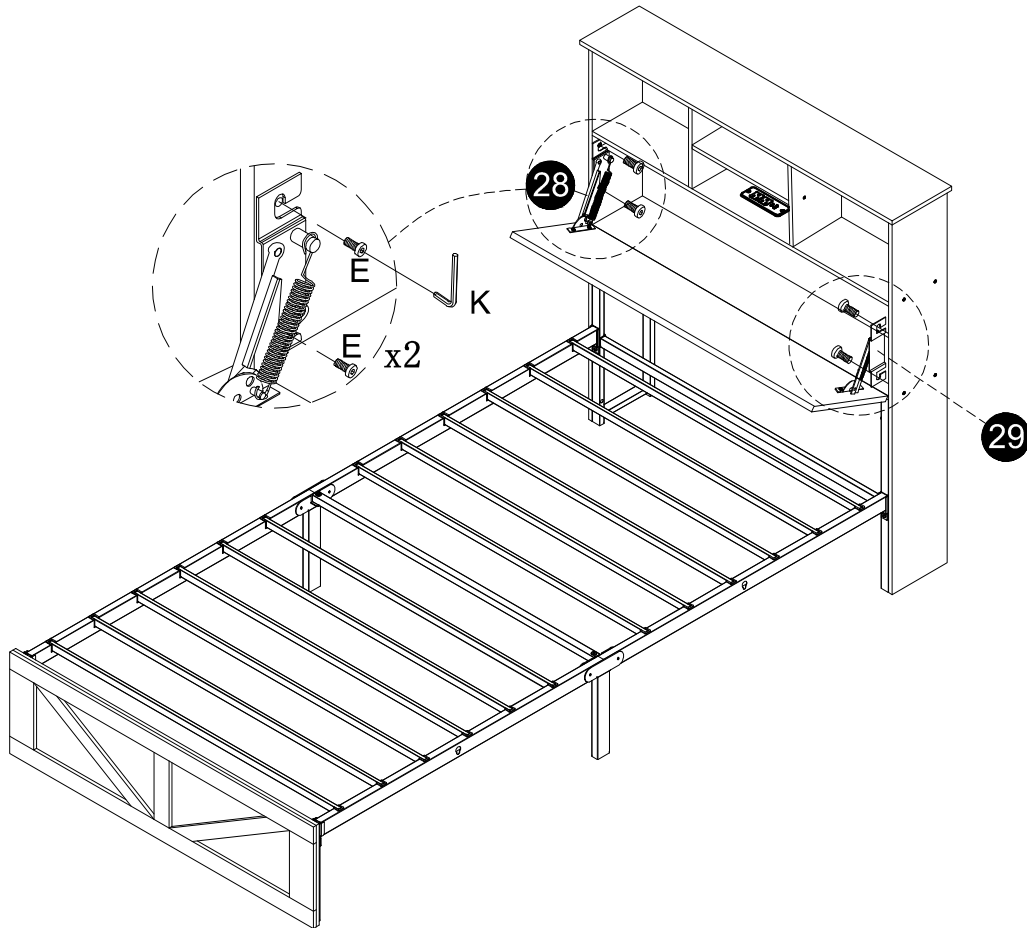
Step 16


E		M6*10mm	4pcs
K		4mm	1pc



Step 17

E		M6*10mm	4pcs
K		4mm	1pc



 RECOMMEND 2 OR MORE ADULTS FOR QUICKER ASSEMBLY

Step 18

Step:C

Step:B

Step:A

23
X8

24
X4

22
X4

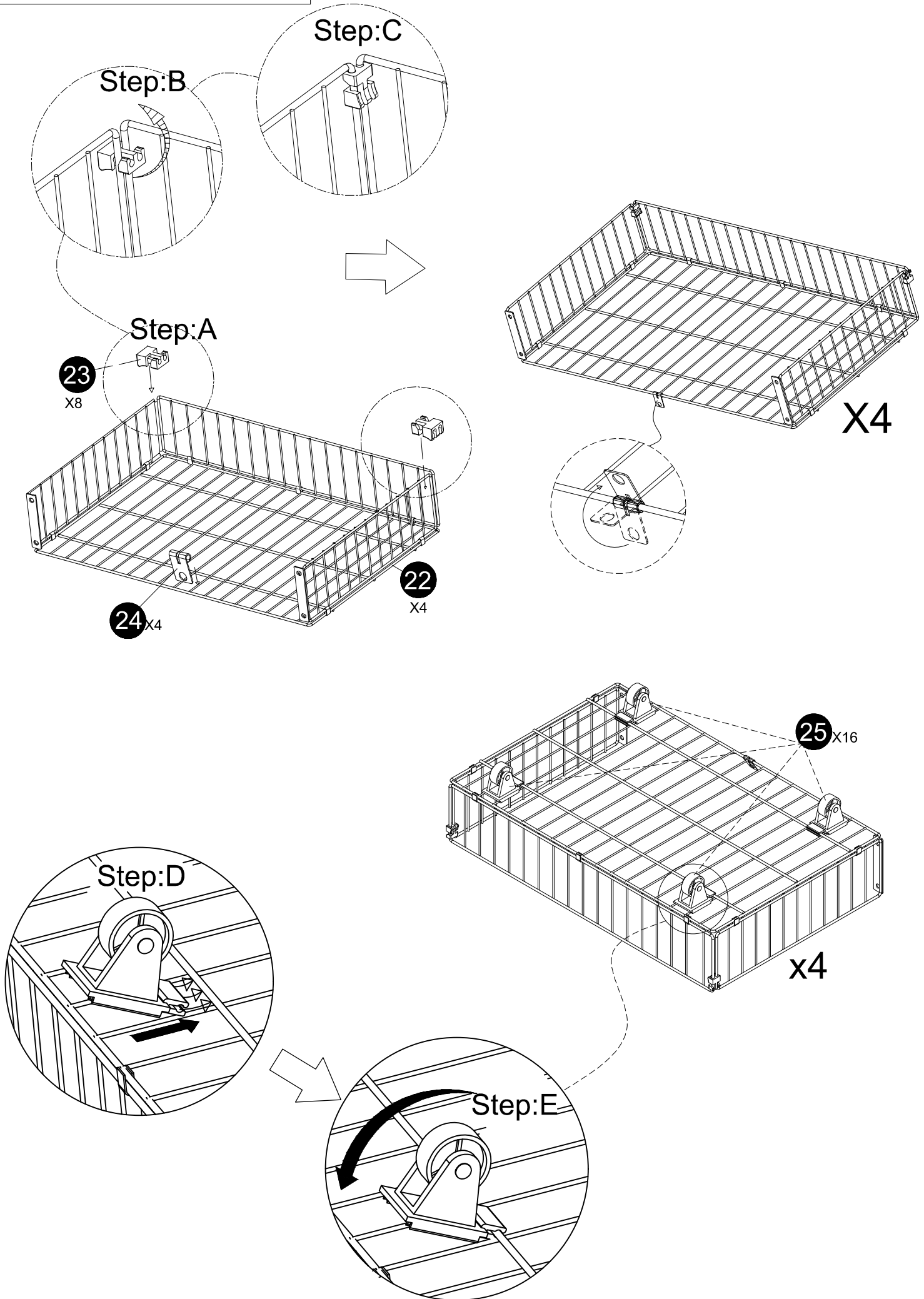
X4

Step:D

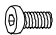

25
X16

x4

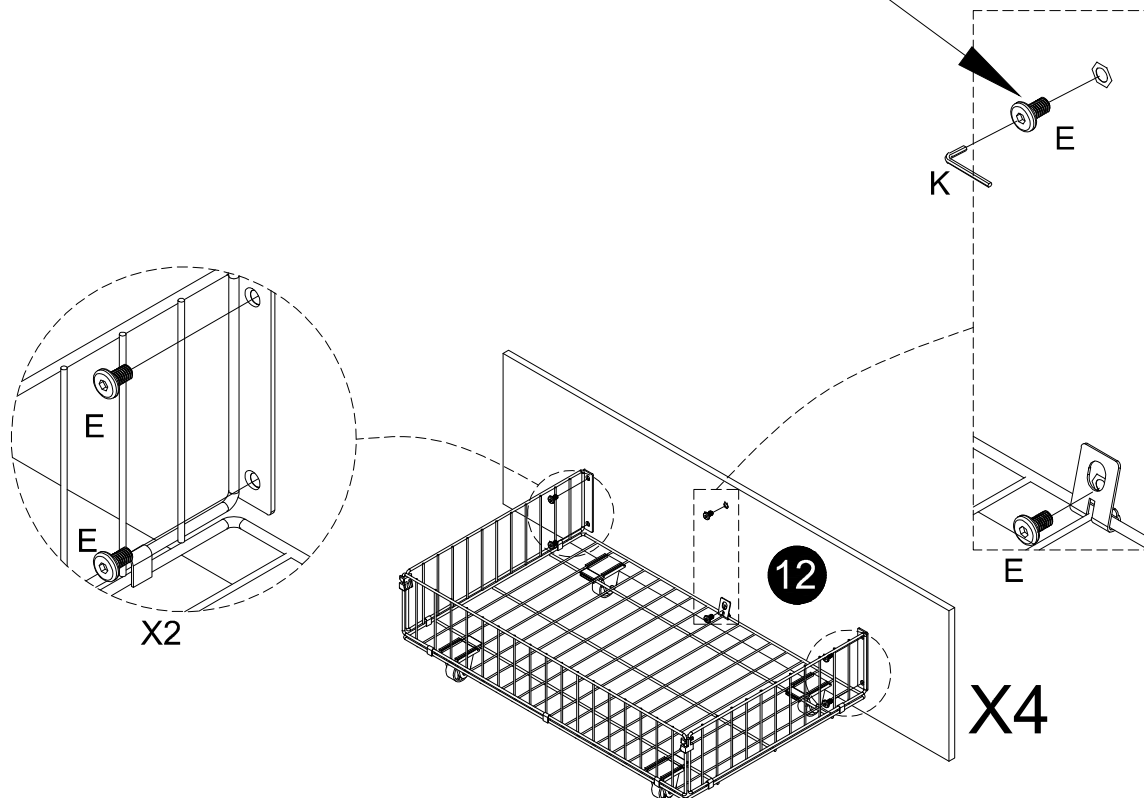
Step:E



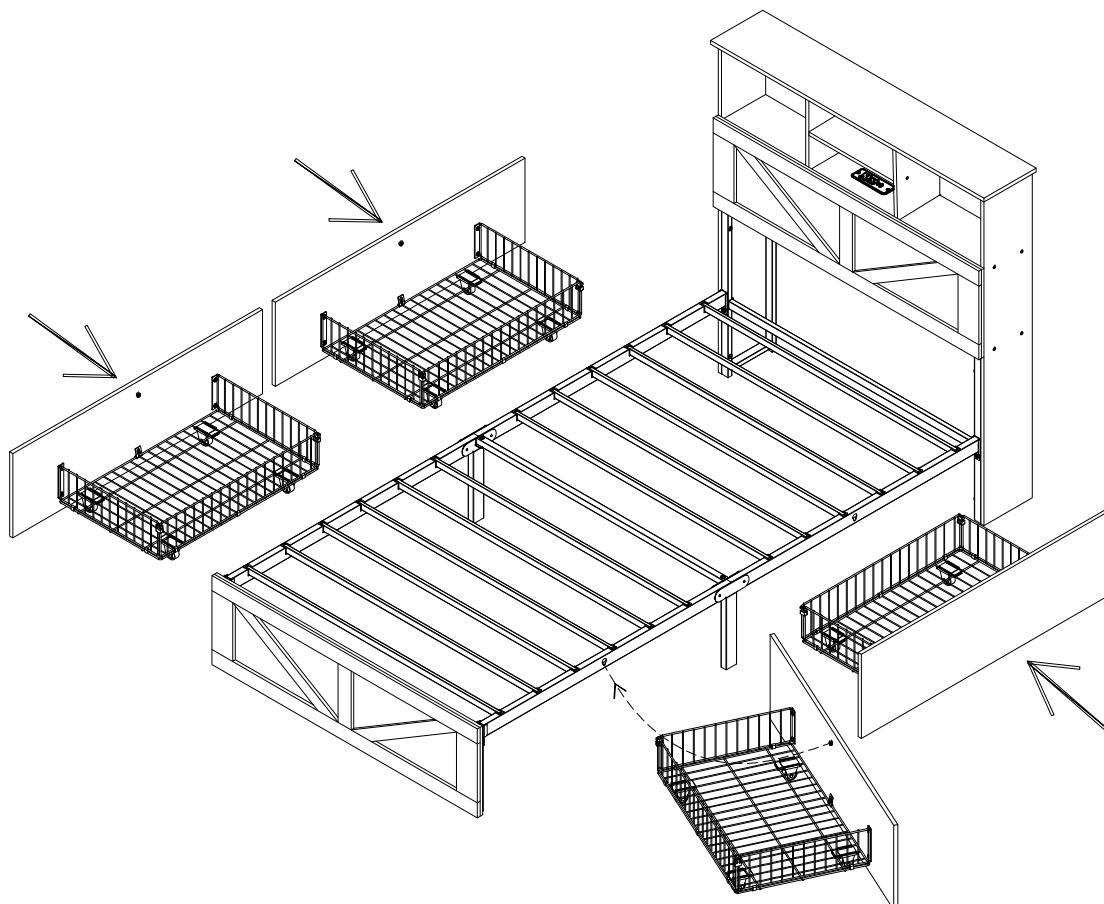
Step 19

E		M6*10mm	24pcs
K		4mm	1pc

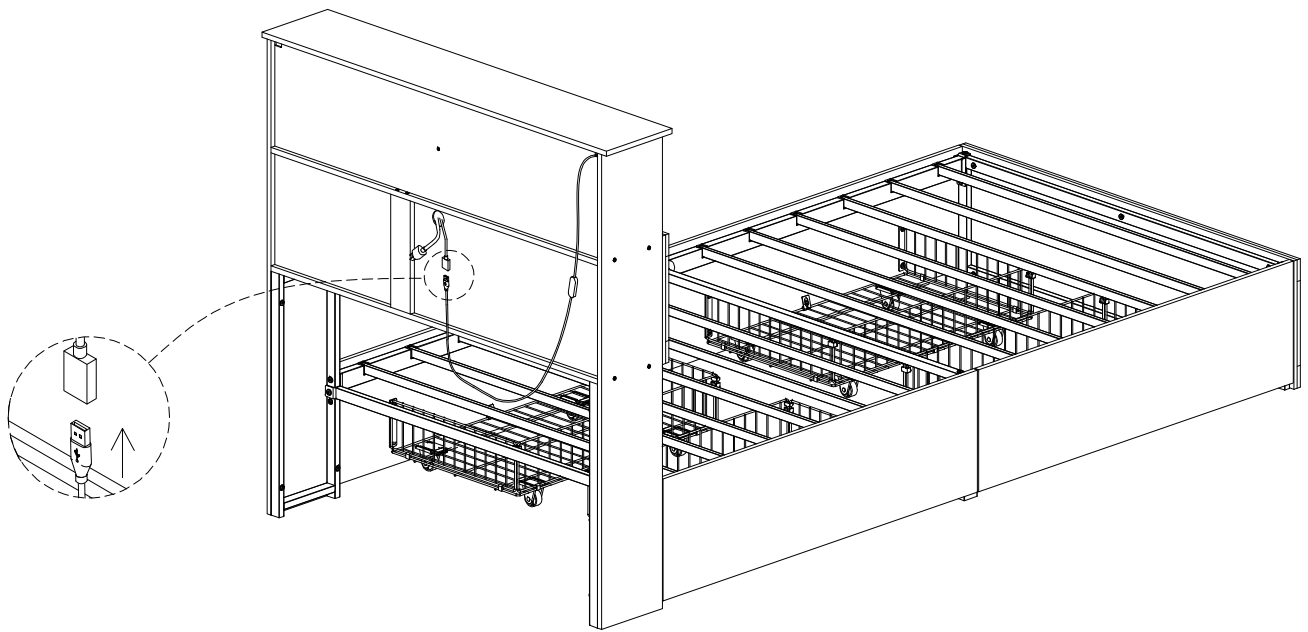
This screw maintains a distance of 1-2mm.



Step 20



Step 21



Step 22

