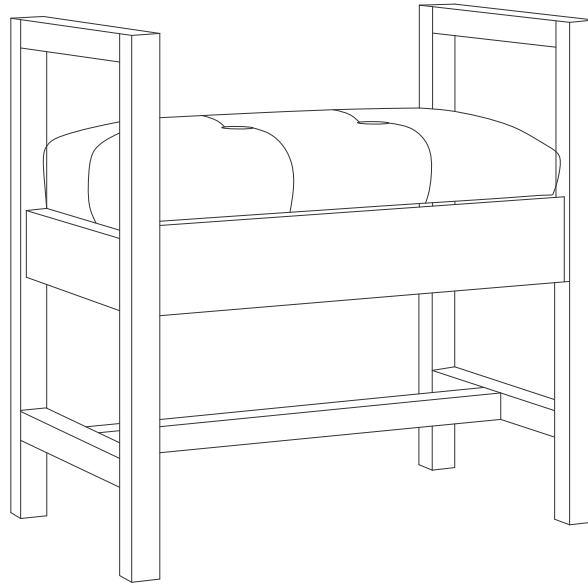


24.5" ADDISON
WOODEN BENCH
E444-BNCH-MCA

JAMES MARTIN
VANITIES



Features and Materials

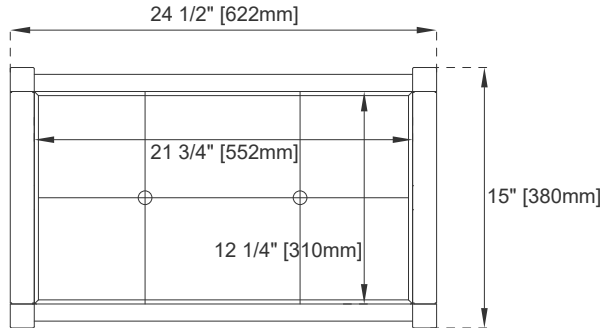
Solids: Para Wood
Heavy-duty, Stain Resistant Microfiber Fabric
Hand-tufted, Upholstered Seat
Installation Type: Floor Standing or Be Used with Countertop
Units (Makeup Counter E444-CU30).
Adjustable Levelers

Dimension

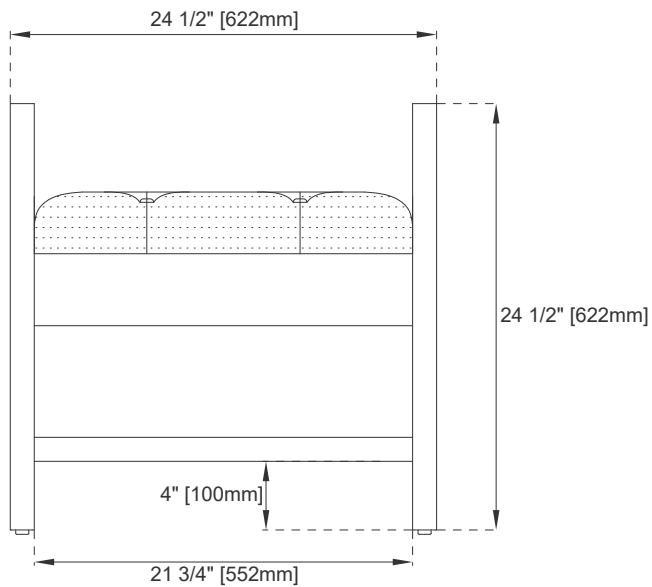
Width: 24-1/2"
Depth: 15"
Height: 24-1/2"

24.5" ADDISON
WOODEN BENCH
E444-BNCH-MCA

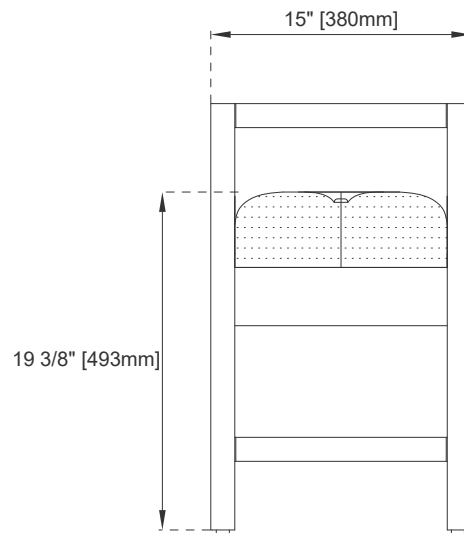
JAMES MARTIN
VANITIES



Top View



Front View



Side View

All dimensions are nominal

Visit website for warranty and installation information
www.jamesmartinvanities.com