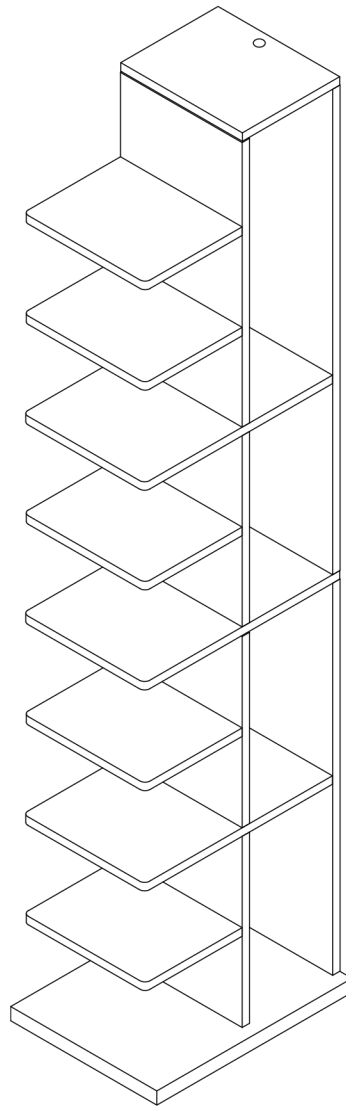
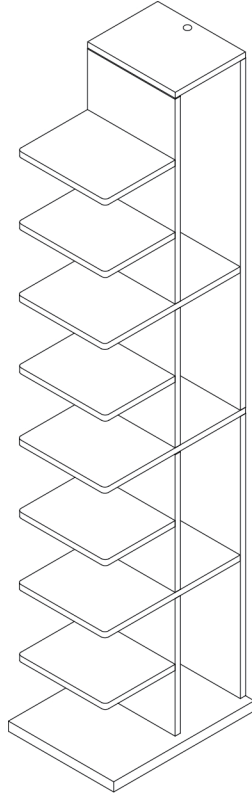


Assembly Instructions

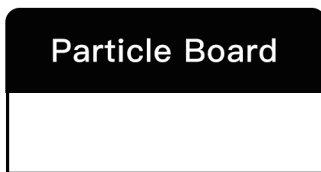


**DESIGN
TRANSFORMS
LIFE**

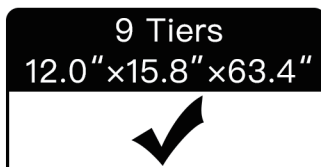
Product Attributes



Material



Specification

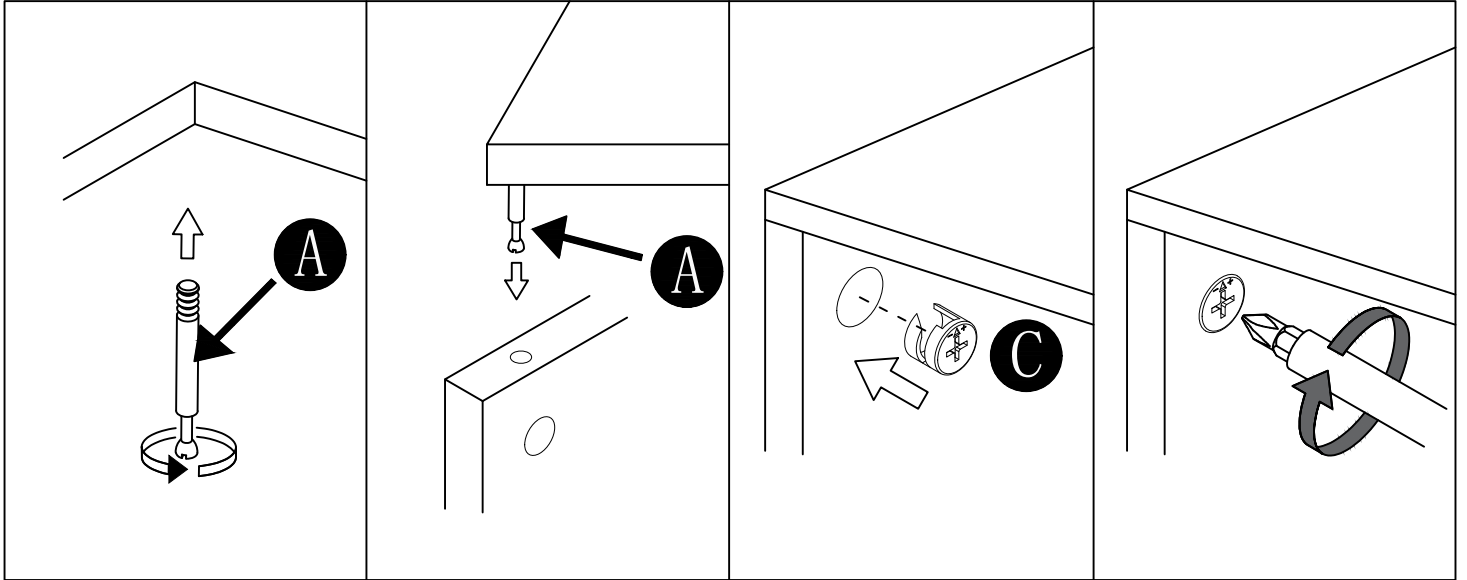


Color

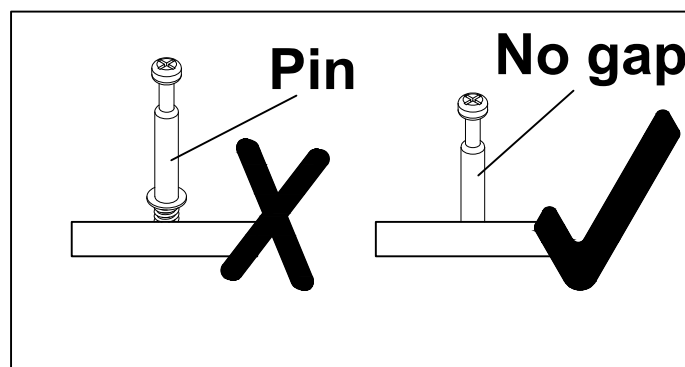


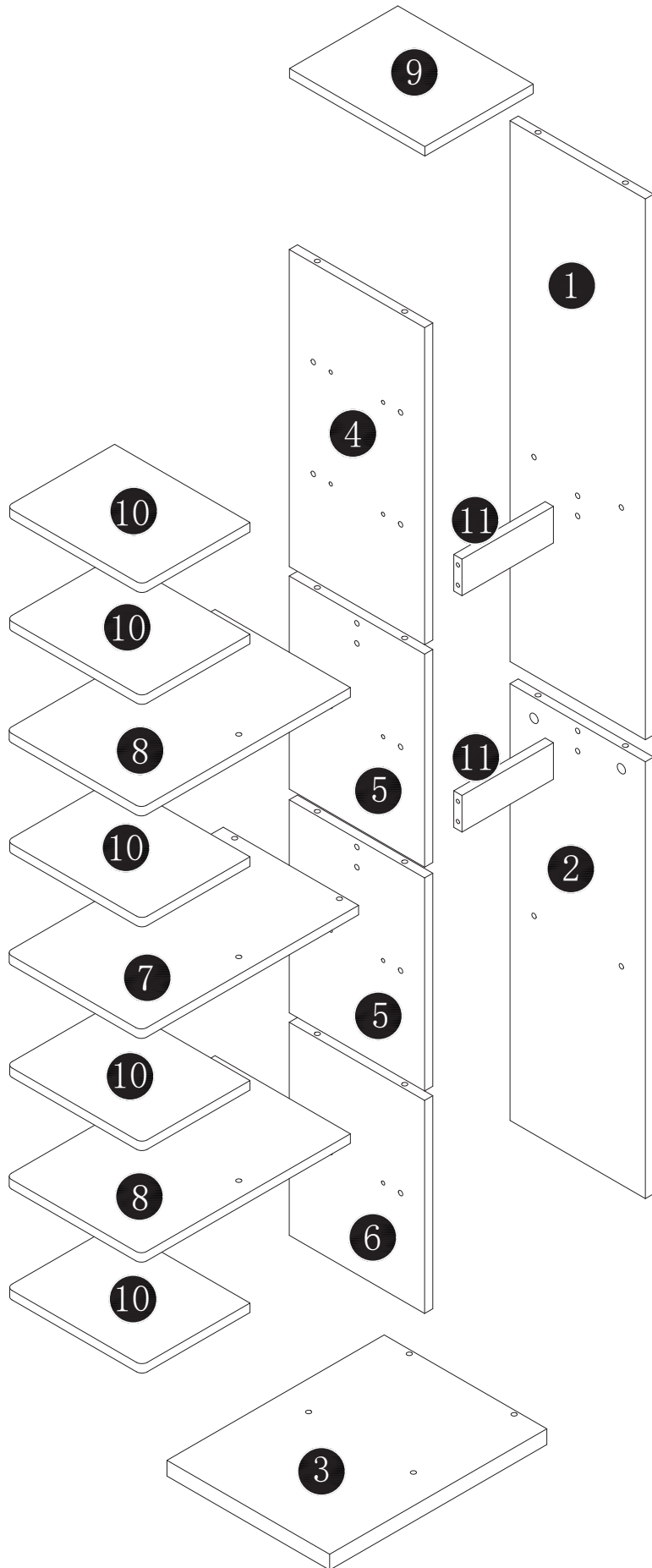
Installation of Cams and Pins

Screw the pin into the hole. To set the cams correctly, ensure that the arrow on the cam is opening to the hole of the pin it is locking. Lock the cam by turning the cam head with a screwdriver until it is tightened. Please do not use an electric screwdriver to assemble the unit.

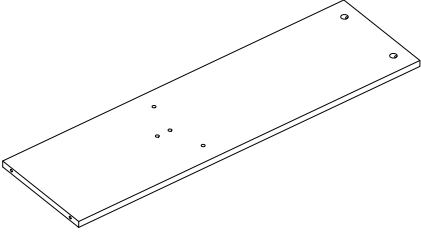
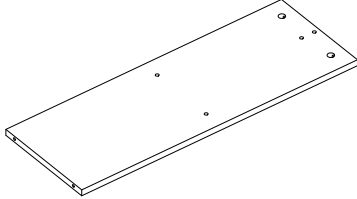
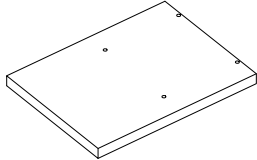
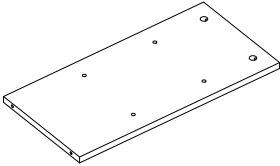
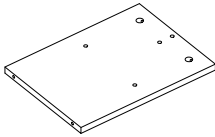
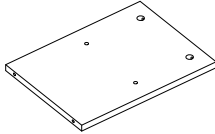
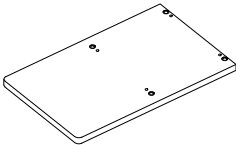
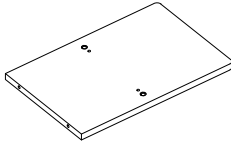
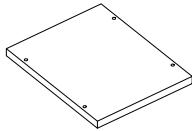
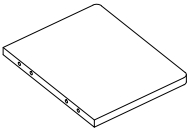
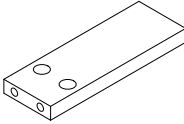


Read each step carefully before starting. It is very important that each step of instruction is performed in the correct order. If these steps are not followed in sequence, assembly difficulties will occur.







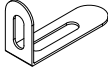






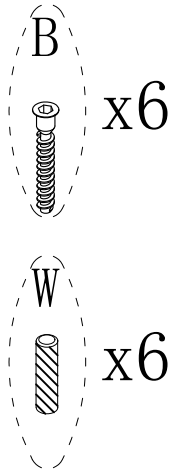
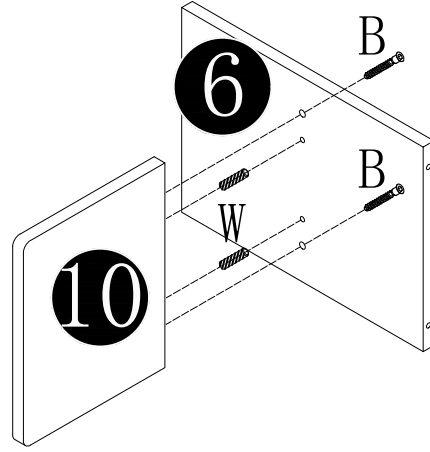
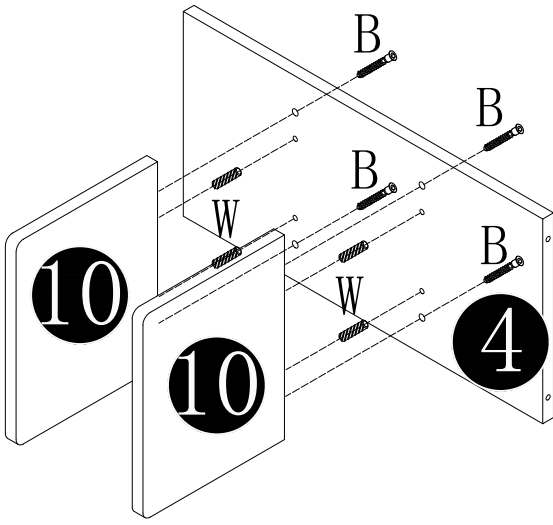
Parts & Hardware List

| | | |
|---|---|---|
|  <p>1 1pc</p> |  <p>2 1pc</p> |  <p>3 1pc</p> |
|  <p>4 1pc</p> |  <p>5 2pcs</p> |  <p>6 1pc</p> |
|  <p>7 1pc</p> |  <p>8 2pcs</p> |  <p>9 1pc</p> |
|  <p>10 5pcs</p> |  <p>11 2pcs</p> | |

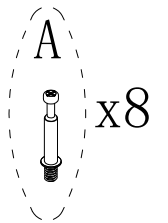
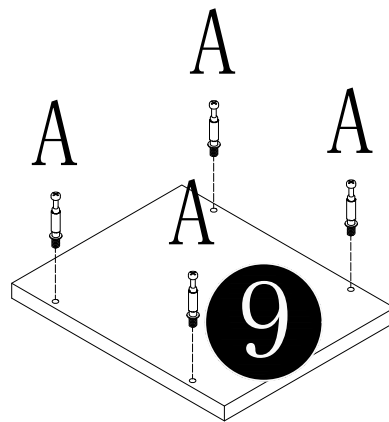
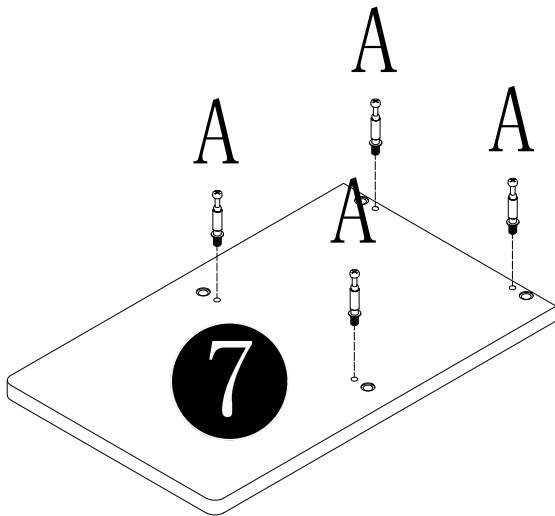
Parts & Hardware List

| | | | | |
|---|---|---|---|--|
|  <p>A 16pcs</p> |  <p>B 30pcs</p> |  <p>C 16pcs</p> |  <p>W 10pcs</p> |  <p>X 1SET</p> |
|  <p>Y 4pcs</p> |  <p>Z 1pc</p> |  | |  |

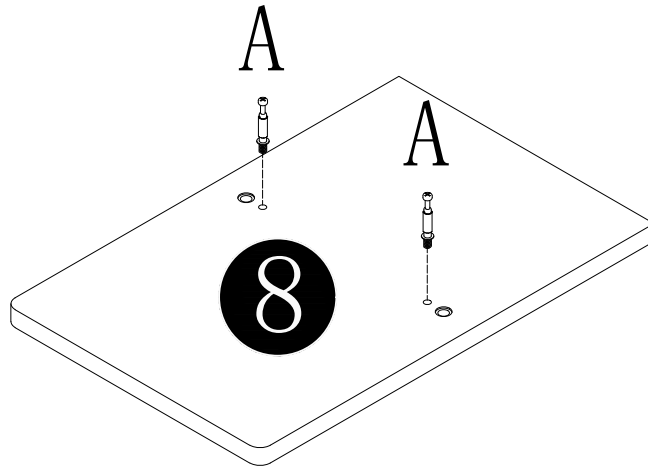
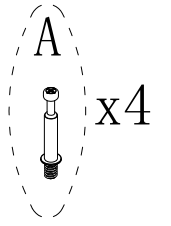
1



2

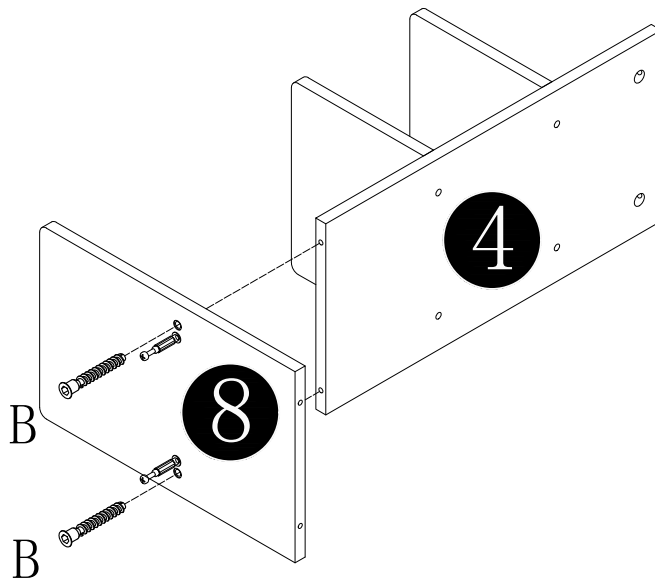
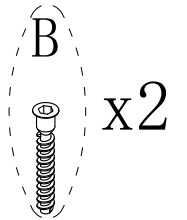


3

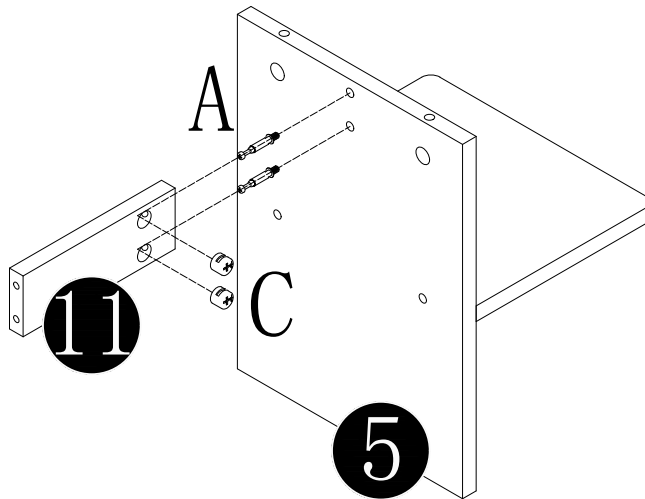
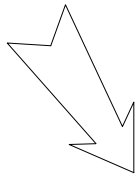
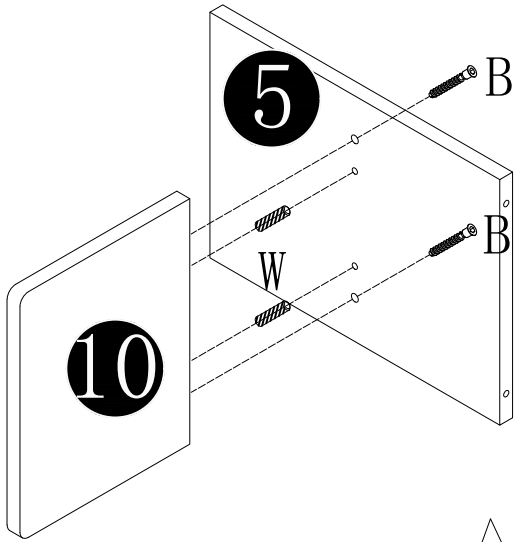


x2

4



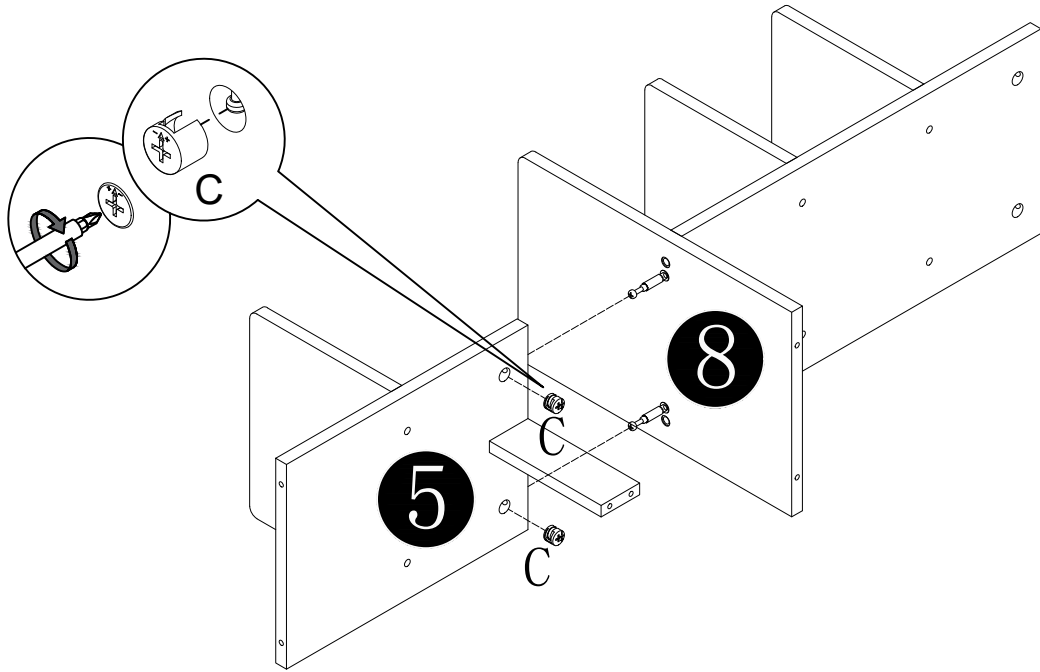
5



- A x4
- C x4
- B x4
- W x4

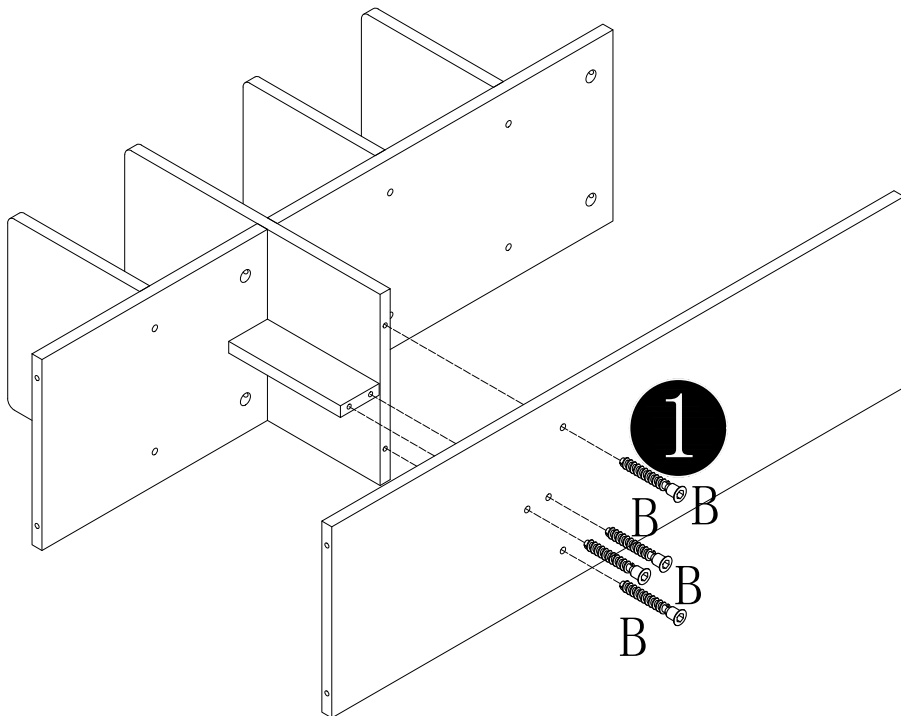
x2

6



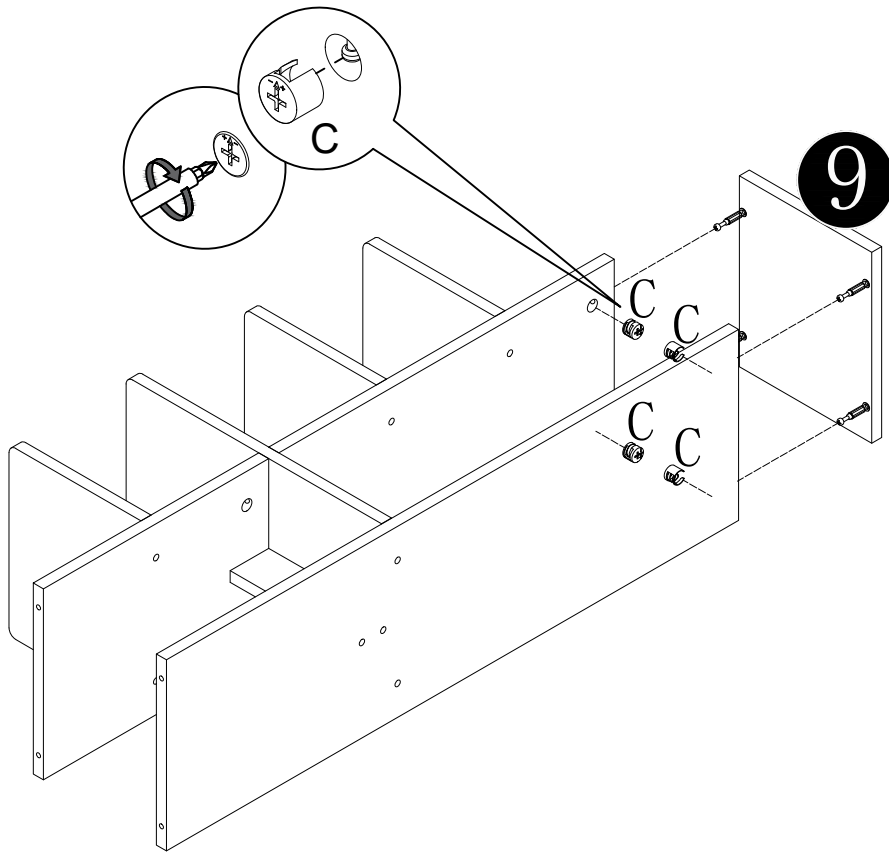
C x2

7



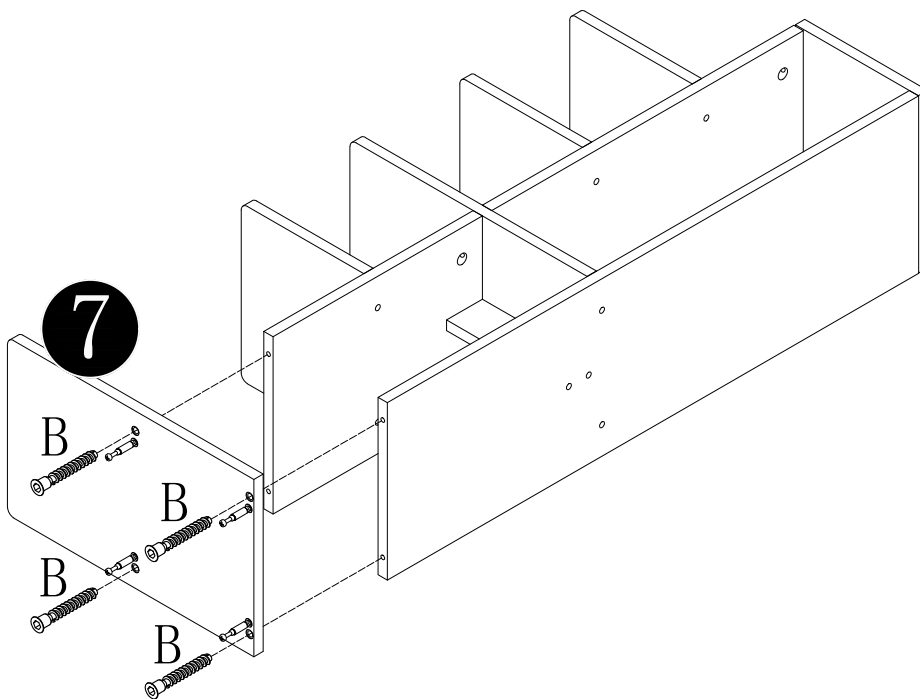
B x4

8



C x4

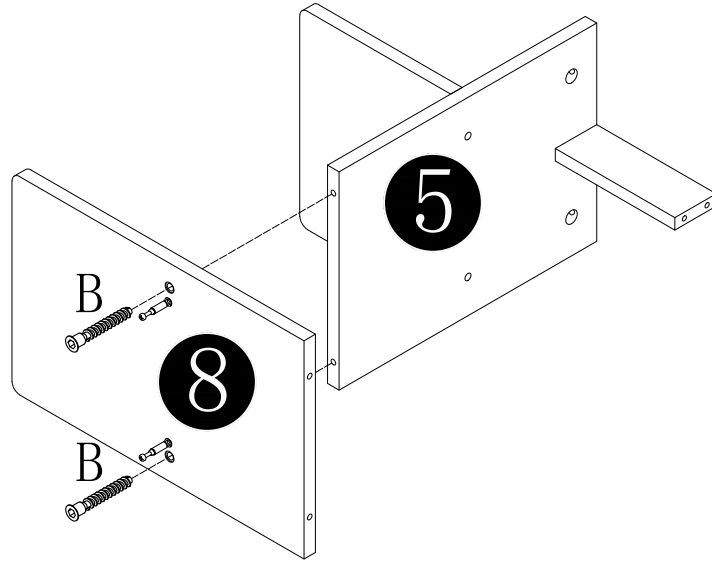
9



B x4

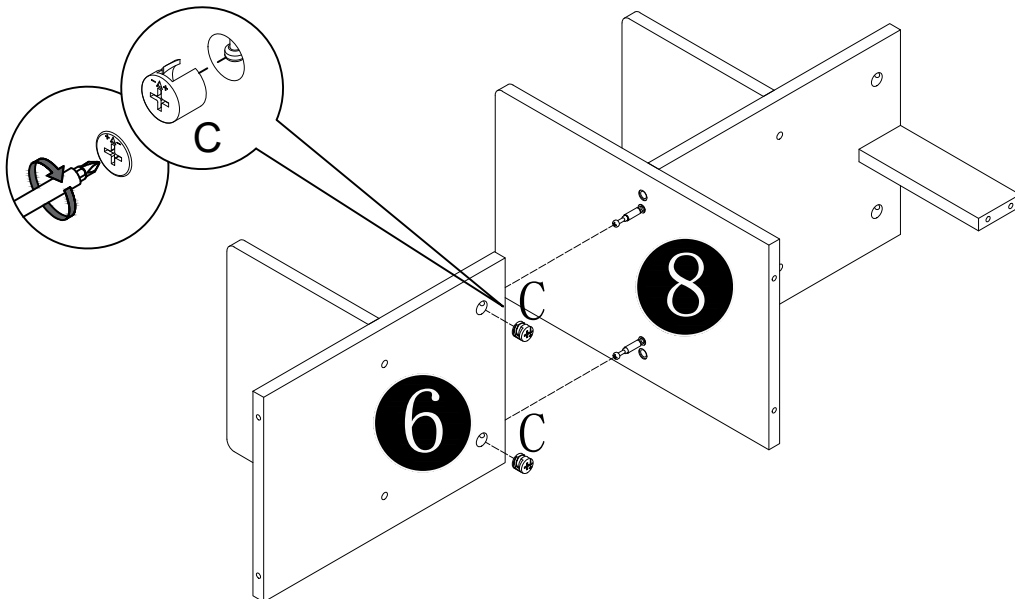
10

B x2

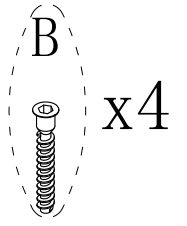
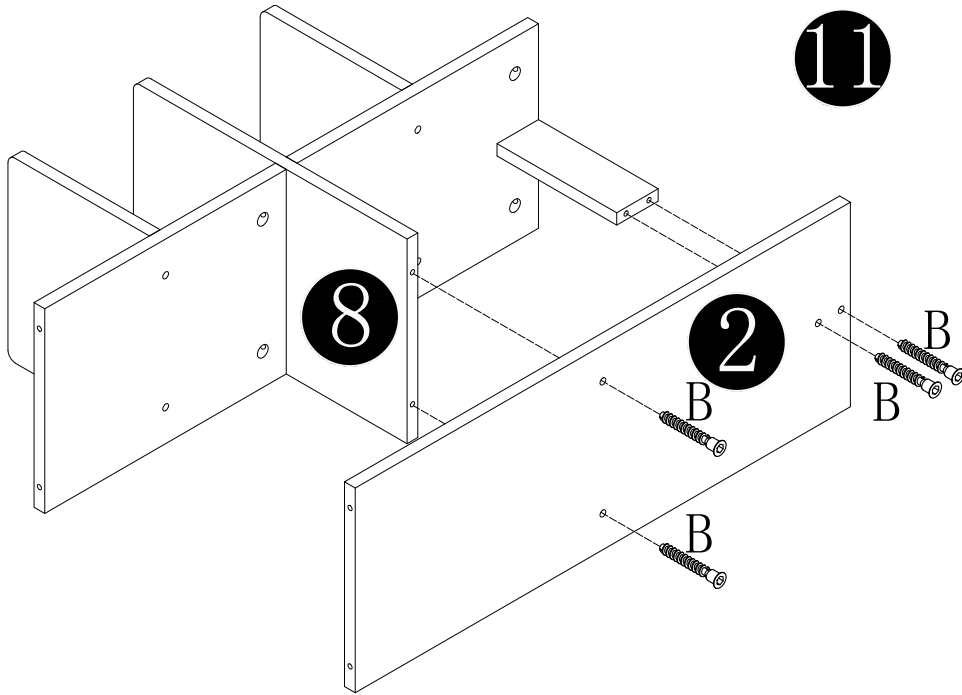


11

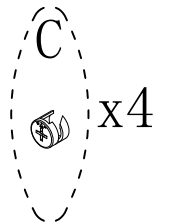
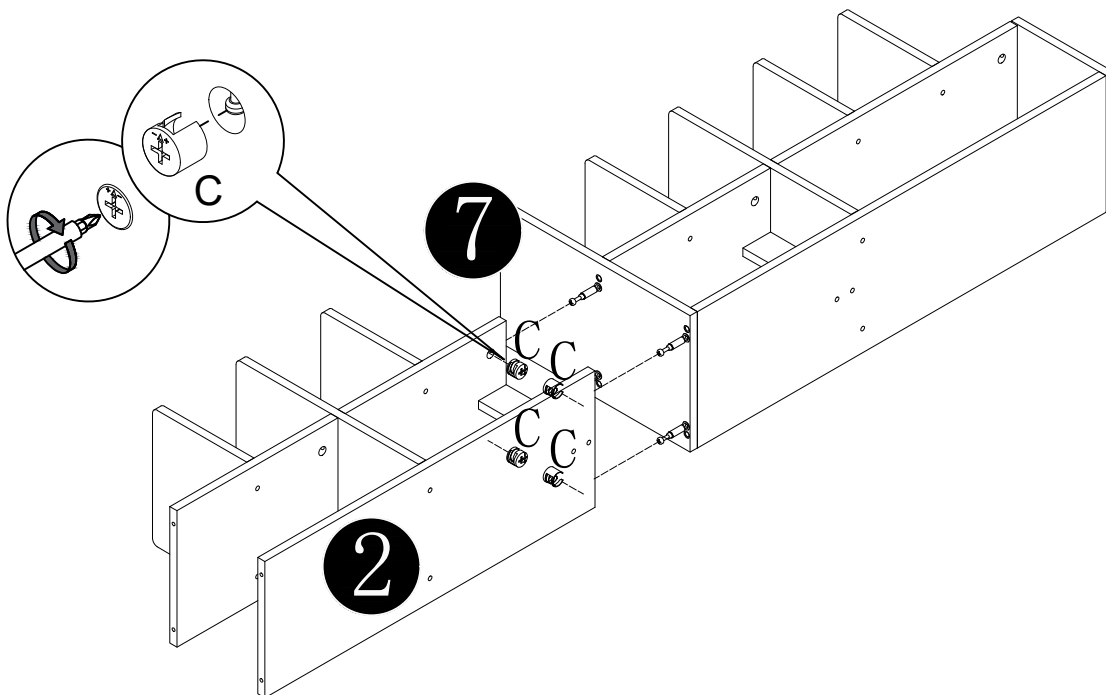
C x2



12

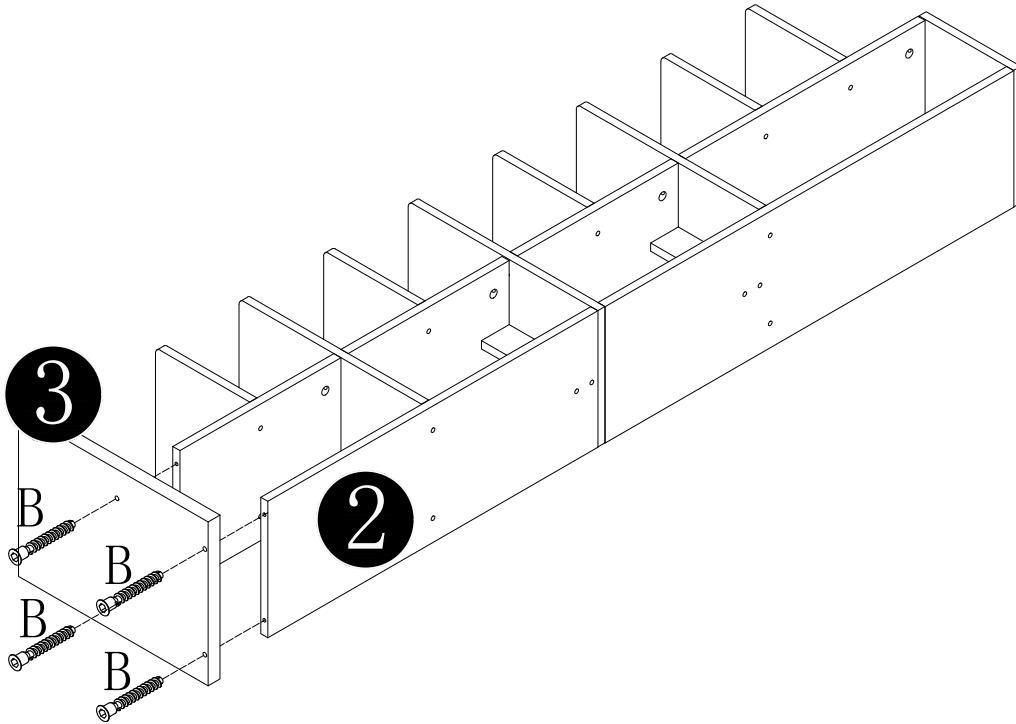


13



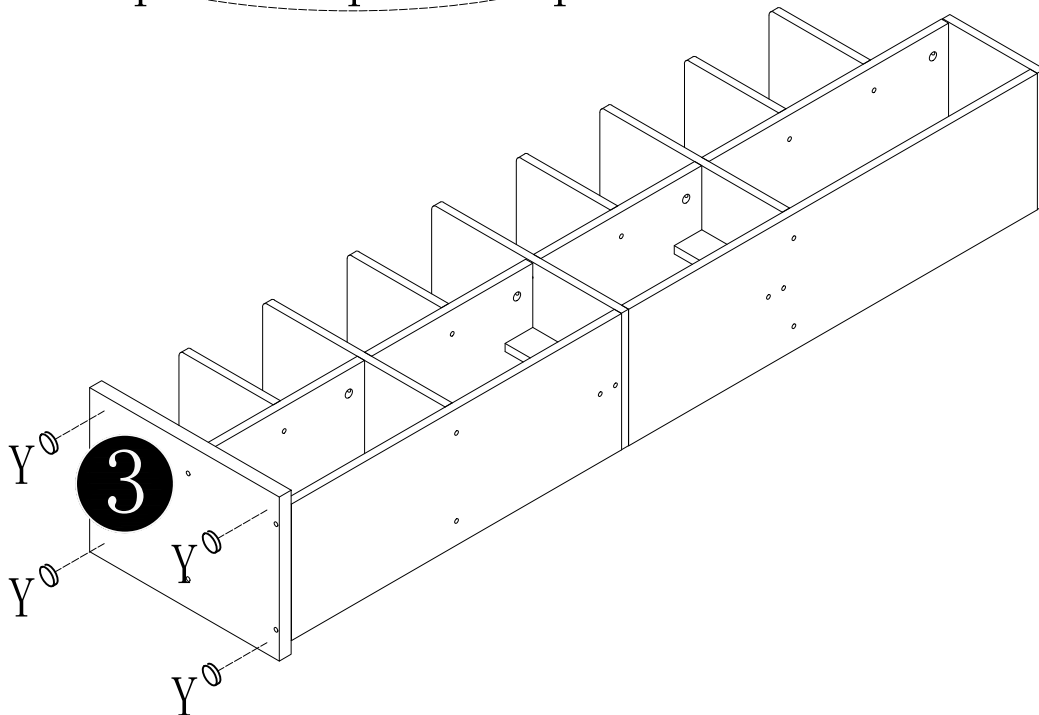
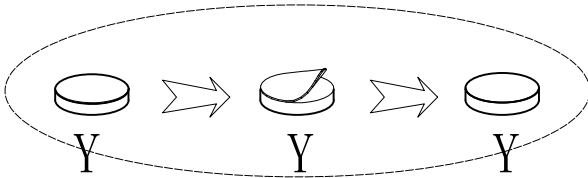
14

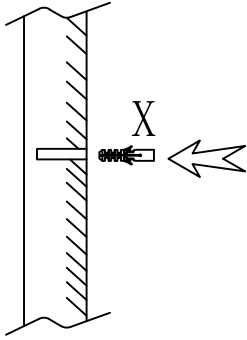
B
x4



15

Y
x4





When the product is placed on the floor or other objects, it can be nailed to the wall with an electric screwdriver for added stability.

