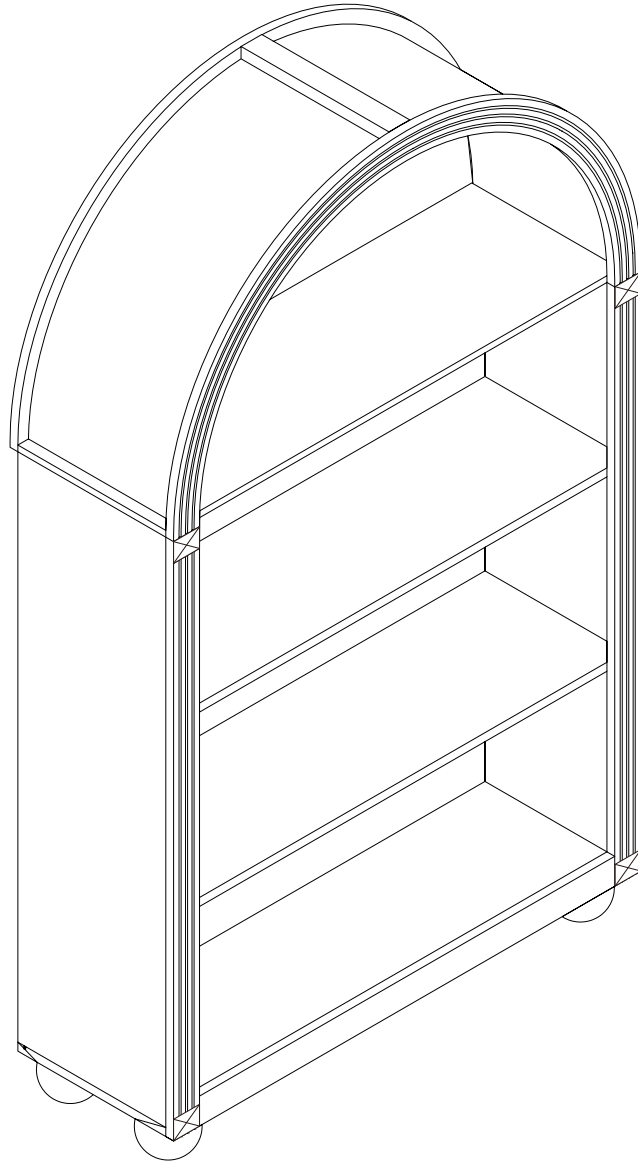


# Installation Instruction



Product name

---

## Bookshelf

Ver.2.0 202511

Do not use power tools to assemble your furniture. Power tools may strip or damage the parts.



### Friendly Reminder:

Assembling with damaged panels may affect after-sales service. Please check the integrity of all panels before assembly. If any damage is found:

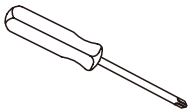
- ✓Take photos of the damaged area from multiple angles (preferably under natural light)
- ✓Keep all packaging materials
- ✓Do not assemble the product and contact online customer service immediately

## Assembling

---

### What you need

- Use the packaging carton as a working surface to prevent product damage during assembly
- Phillips head screwdriver



---

### Weight Limitation



**30**

lbs per shelf



2 PERSONS

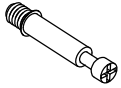
## What's included

---

Code	Description	Qty
A	Cam Bolt M6X35MM	32
B	Cam Lock 15X10MM	32
C	Screw M4X35MM	4
D	Wooden Dowel M6X30MM	24
E	Screw M4X40MM	2
F	Screw M3.5X12MM	12
G	Metal Plate	2
H	Three-hole Iron Plate Nut	4
I	Screw M3X12MM	2
J	Anchor	2
K	Plastic Comer Support	12
L	Screw M3X14MM	12
M	Felt floor mat	4

# The Hardwares

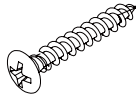
(A)



(B)



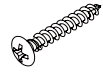
(C)



(D)



(E)



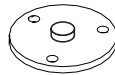
(F)



(G)



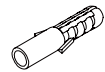
(H)



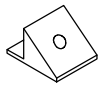
(I)



(J)



(K)



(L)

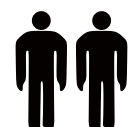


(M)



## IMPORTANT:

1. Do not tighten bolts / screws completely until all bolts / screws are lined up and inserted into holes.
2. Do not over tighten screws and bolts to avoid stripping.
3. Please use hand tools to assemble this product. Do not use power tools.
4. Must need 2 people to assemble this product.



2 PERSONS

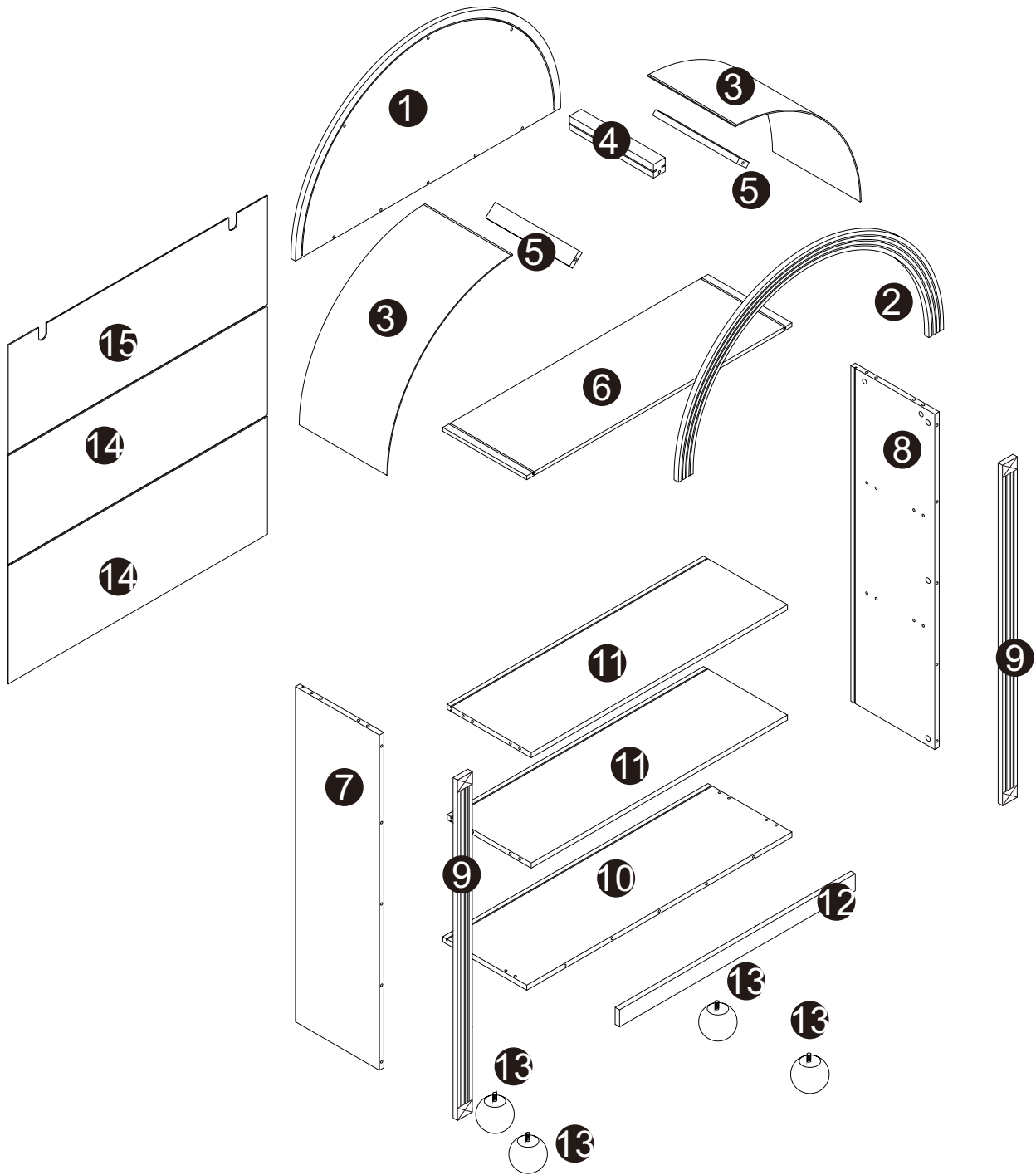
# Included Accessories

---

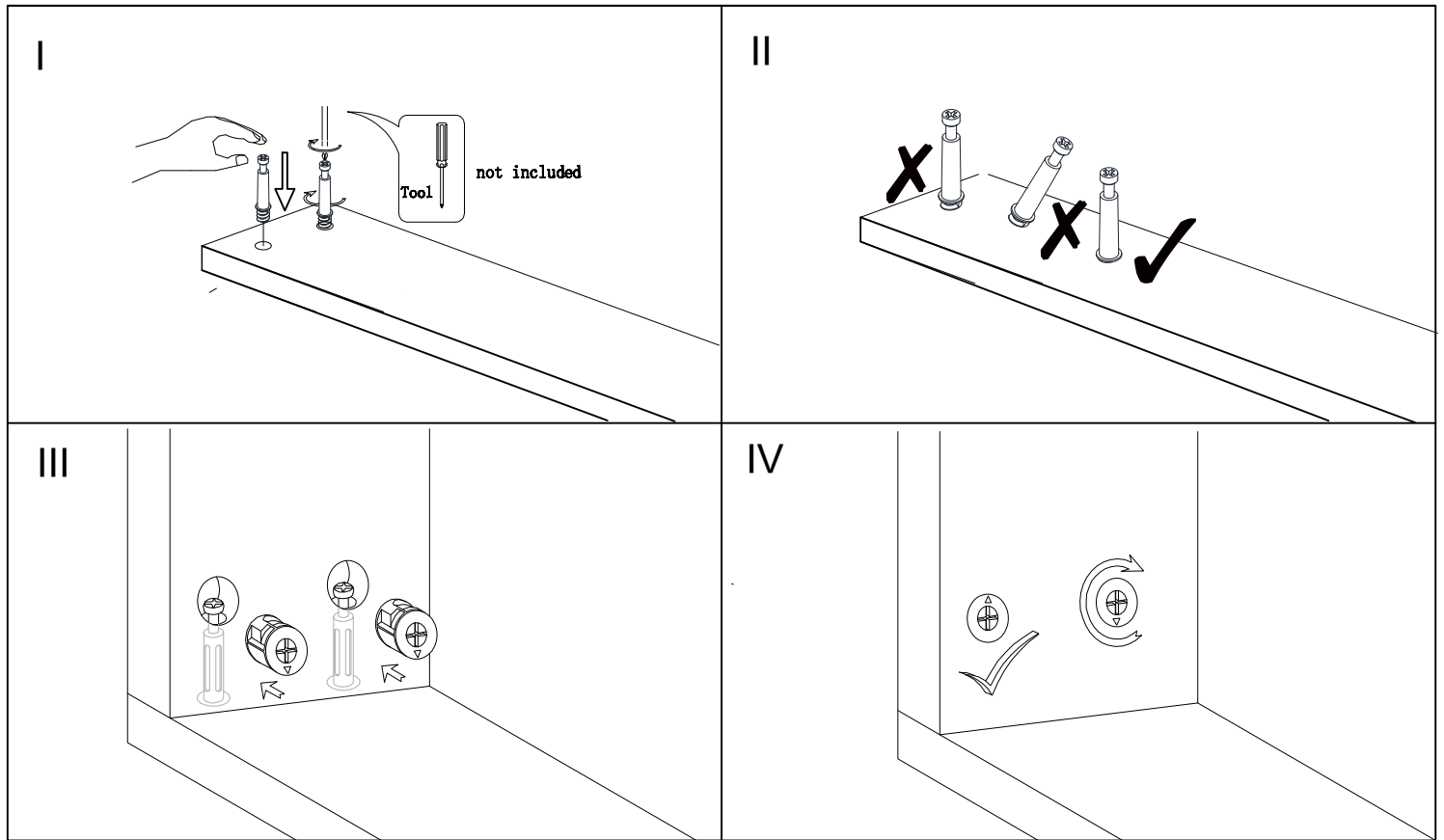
Code	Description	Qty
1	Top curved back panel	1
2	Arc Decorative Panel	1
3	Side Arc Panel	2
4	Arc Connecting Strip	1
5	Supporting bar	2
6	Top shelf	1
7	Left Side Plate	1
8	Right Side Plate	1
9	Decorative Strip	2
10	Bottom Panel	1
11	Shelf	2
12	Bottom Front Strip	1
13	Round feet	4
14	Back Panel	2
15	Top Back Panel	1

---

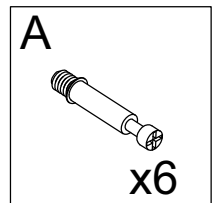
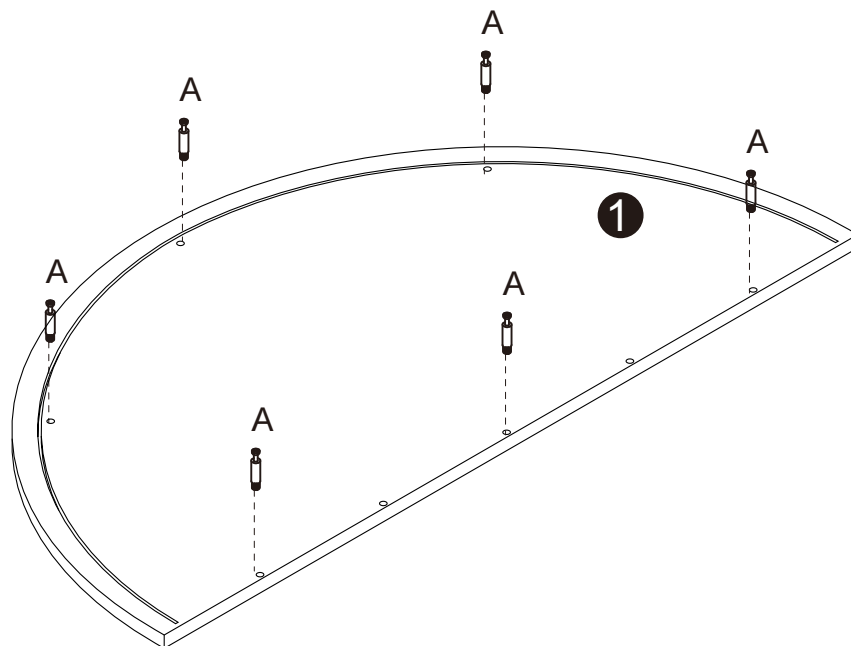
# The Accessories



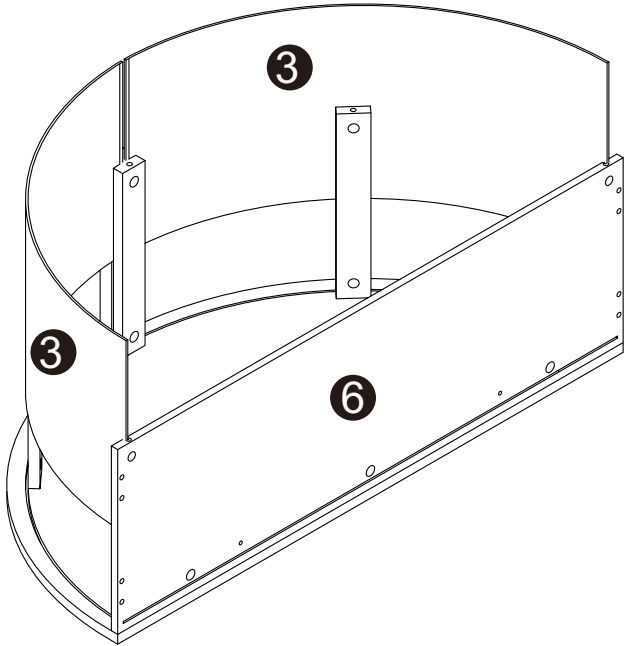
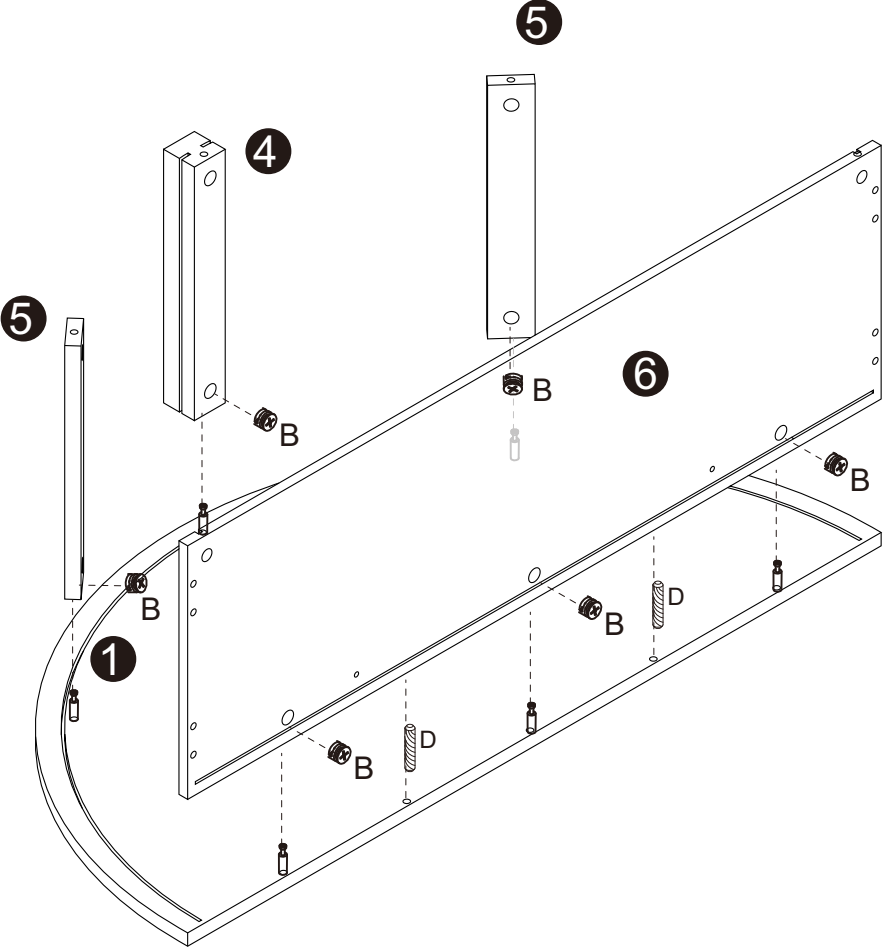
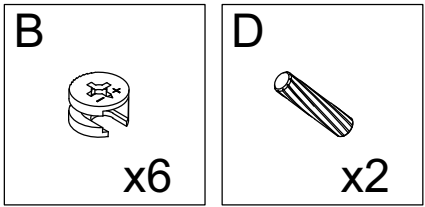
Noted :



# STEP 1

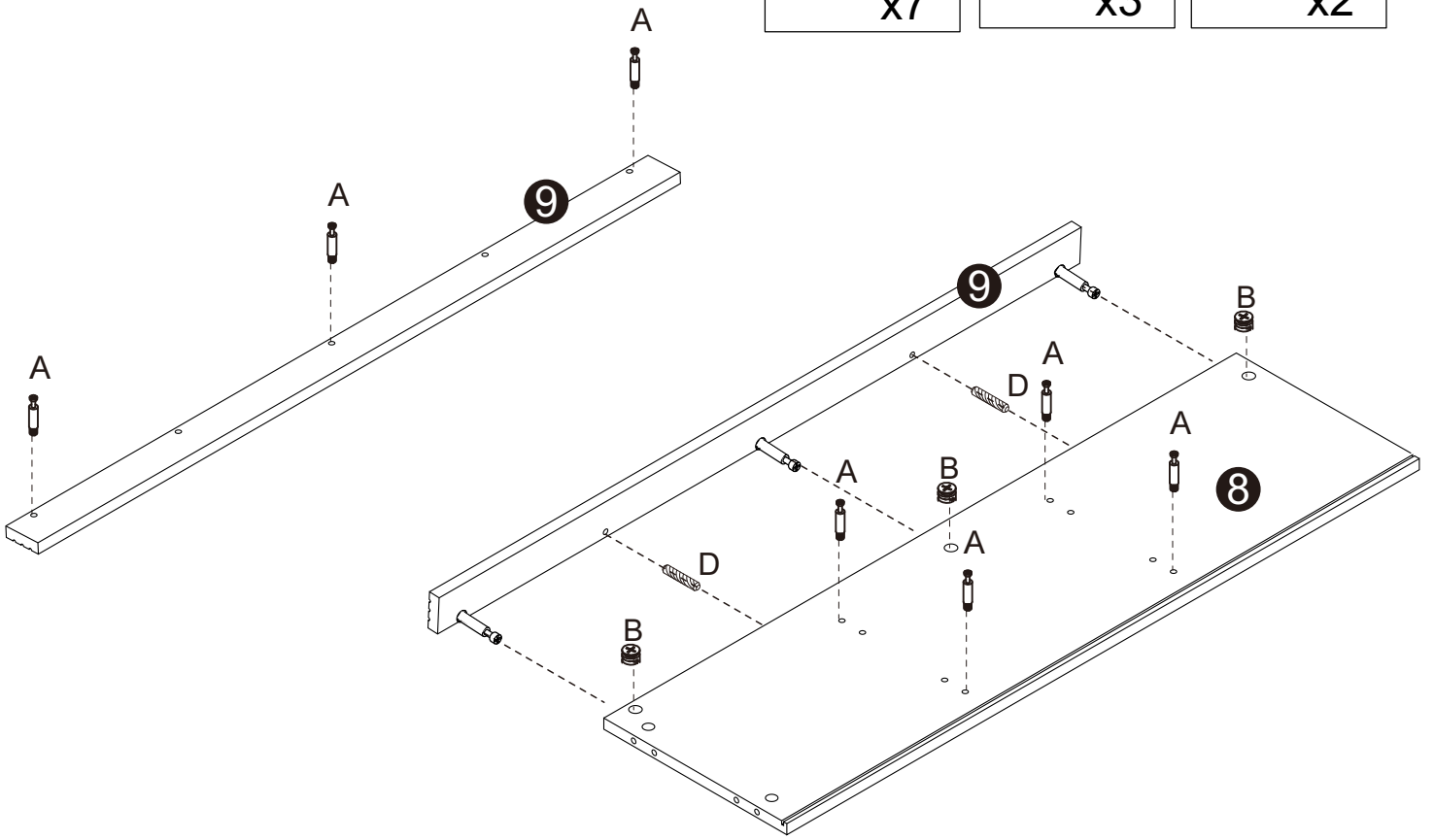
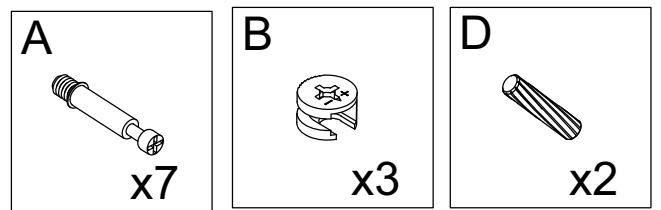


# STEP 2

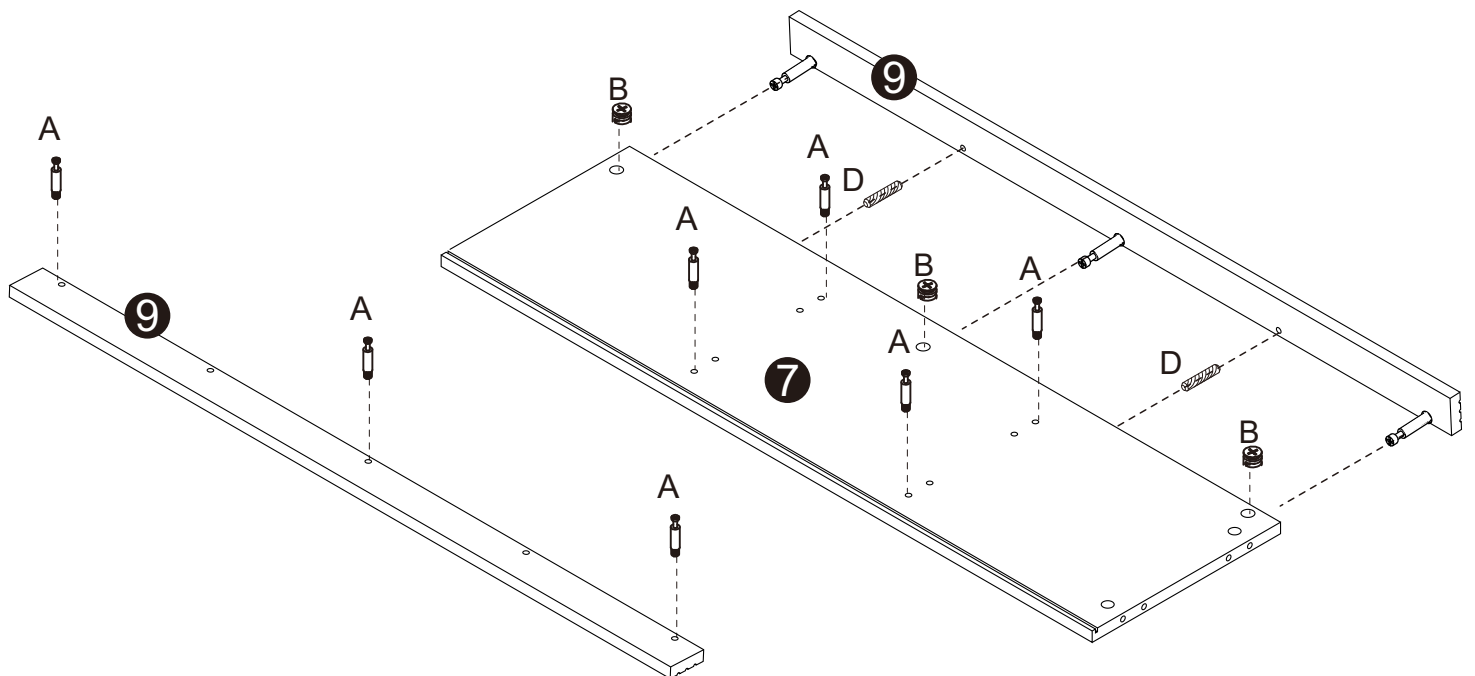
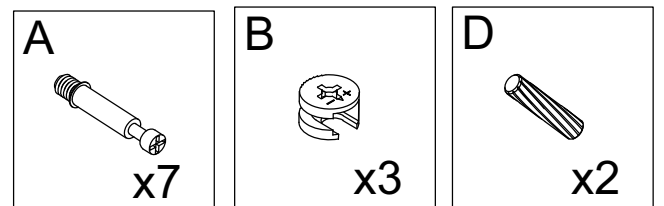




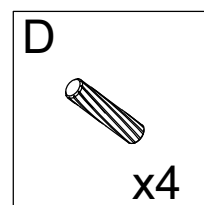
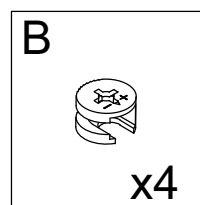
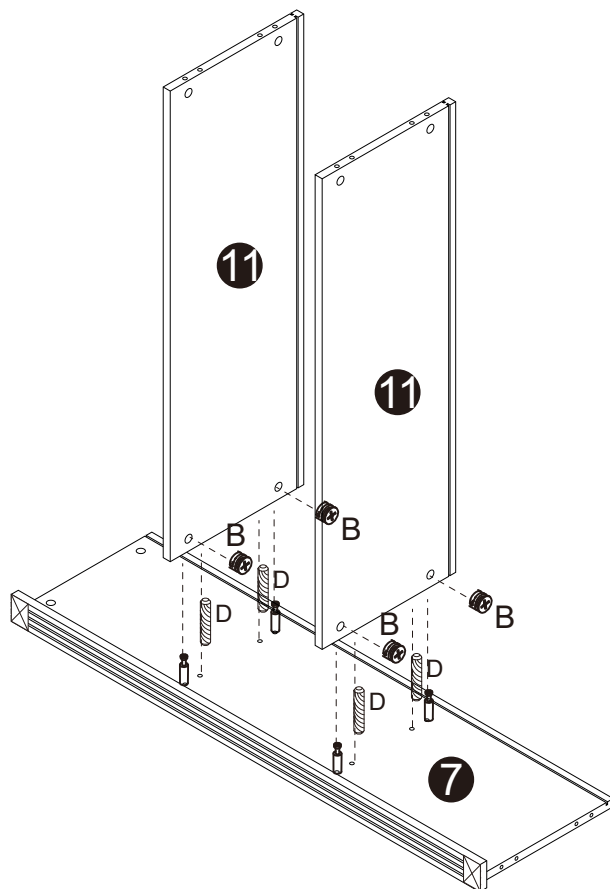
# STEP 5



# STEP 6

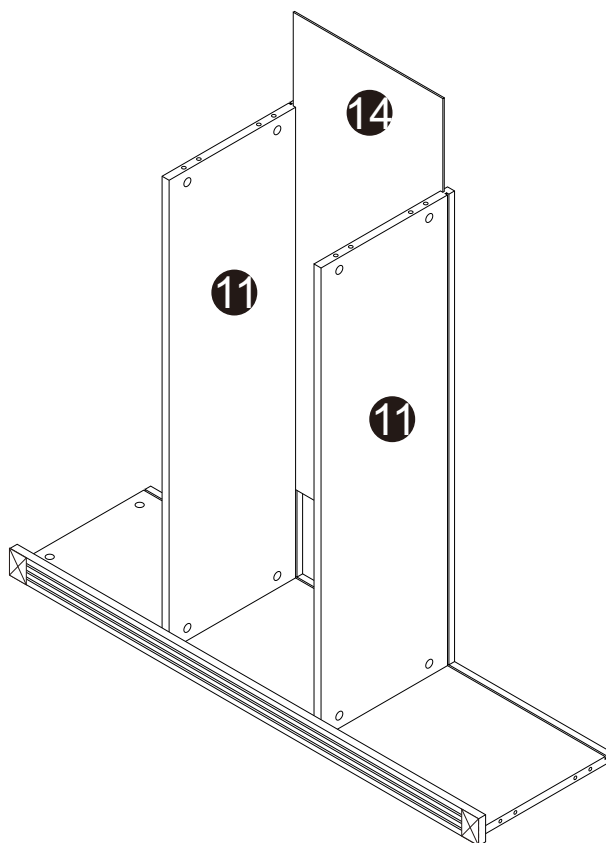


# STEP 7

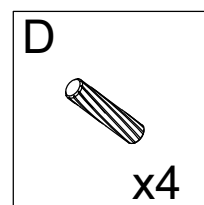
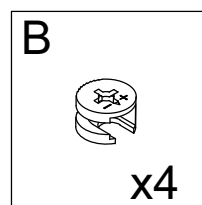
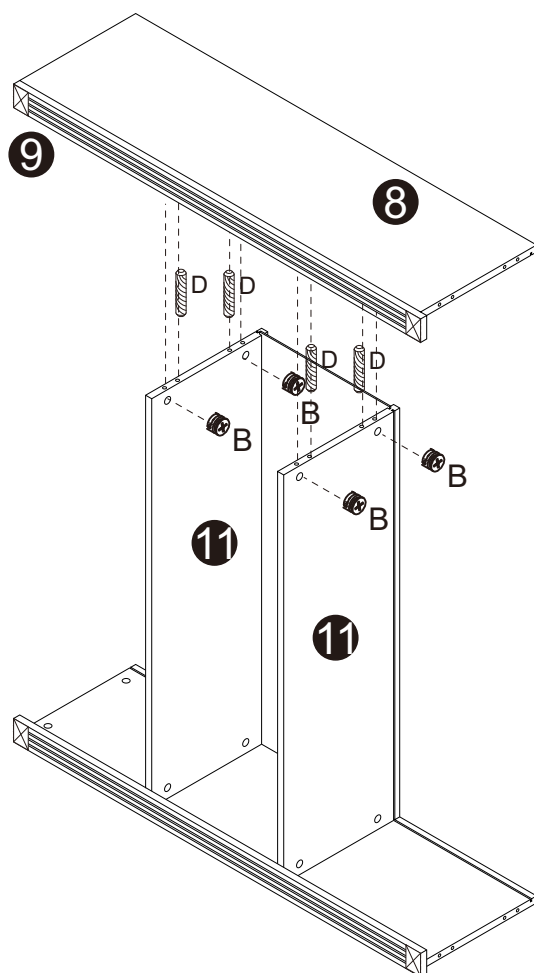


---

# STEP 8

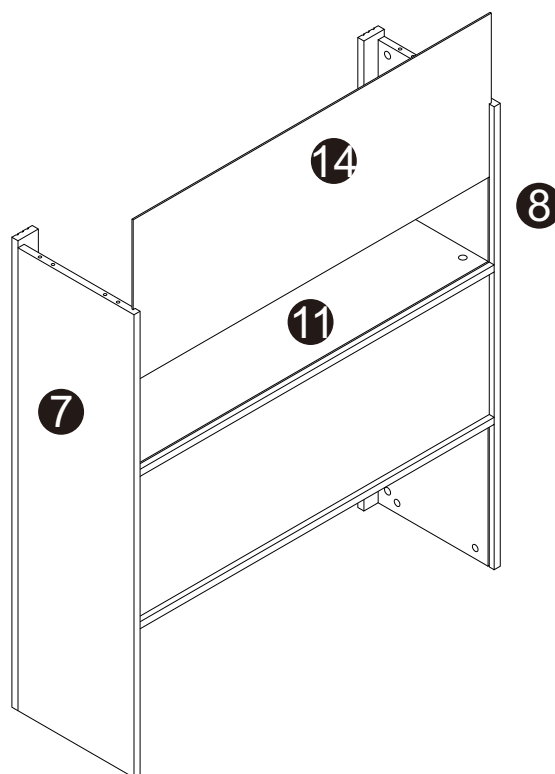


# STEP 9

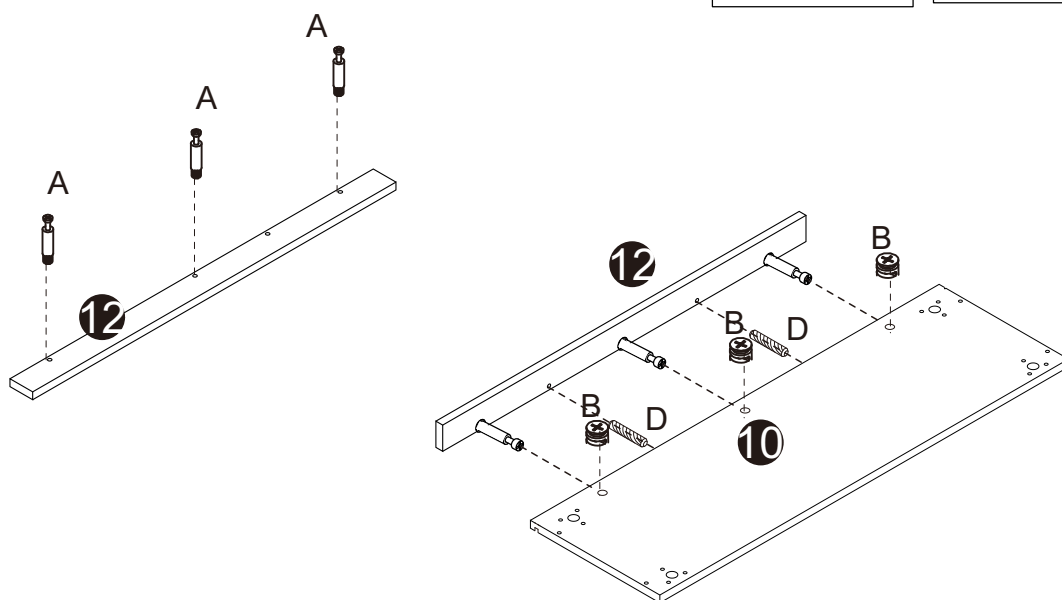
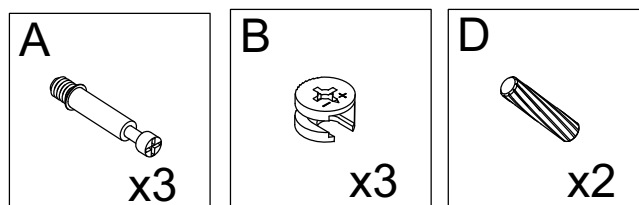


---

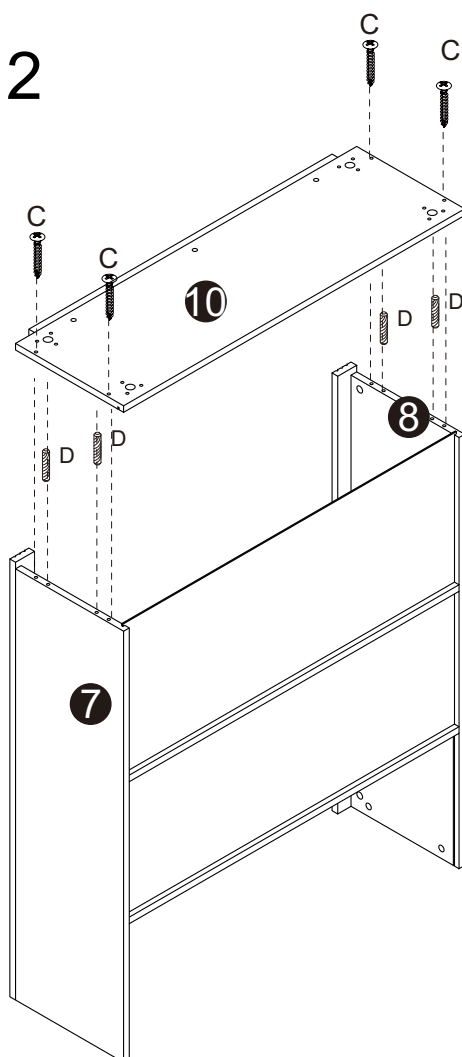
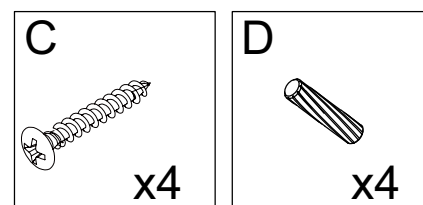
# STEP 10



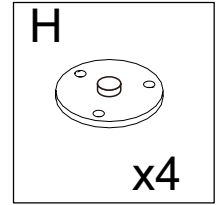
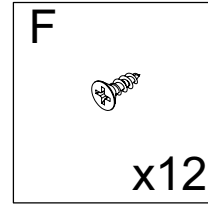
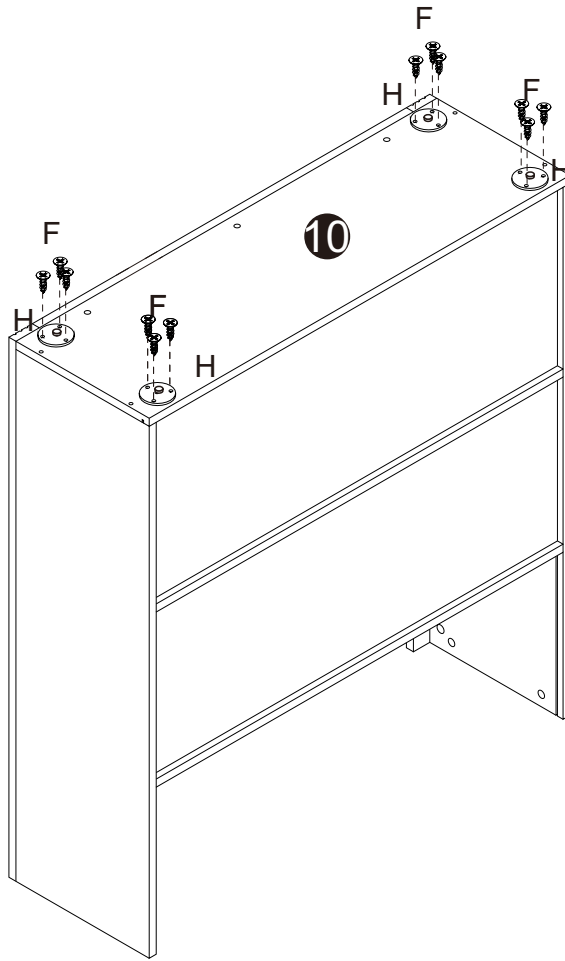
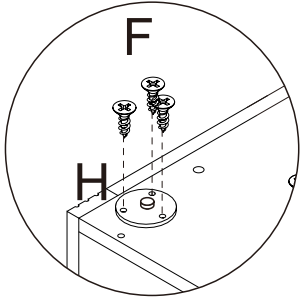
# STEP 11



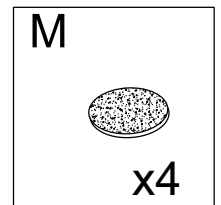
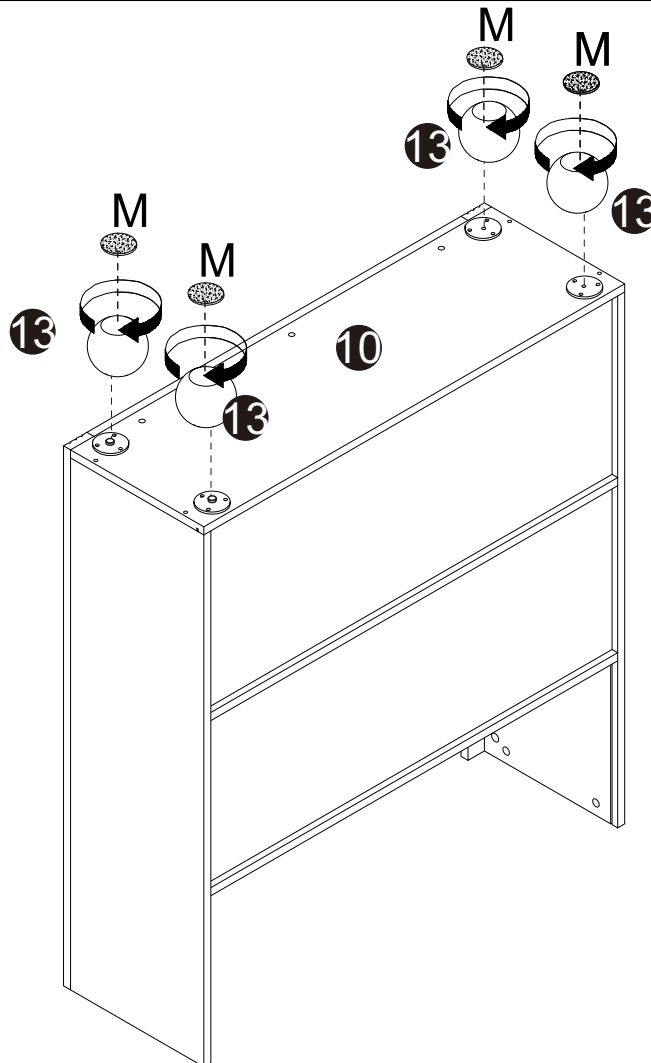
# STEP 12



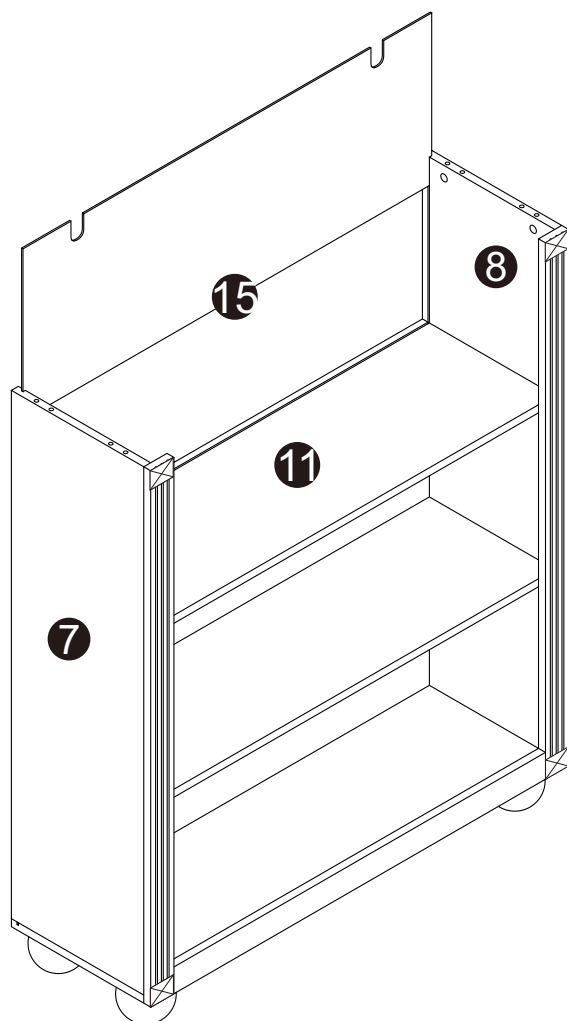
# STEP 13



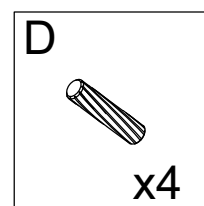
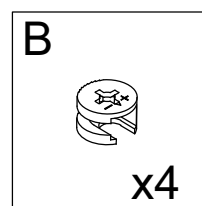
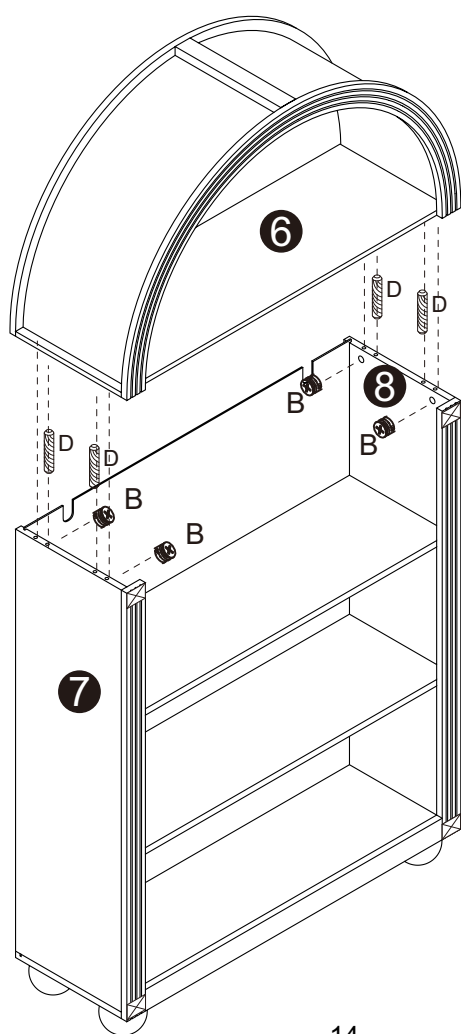
# STEP 14



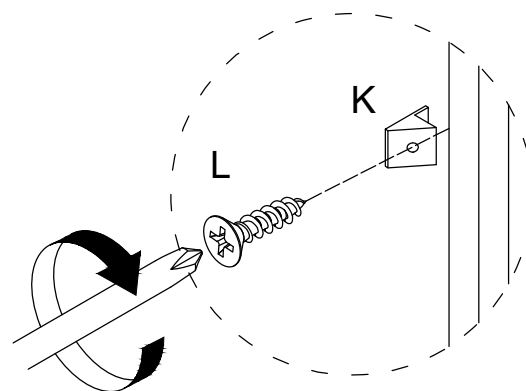
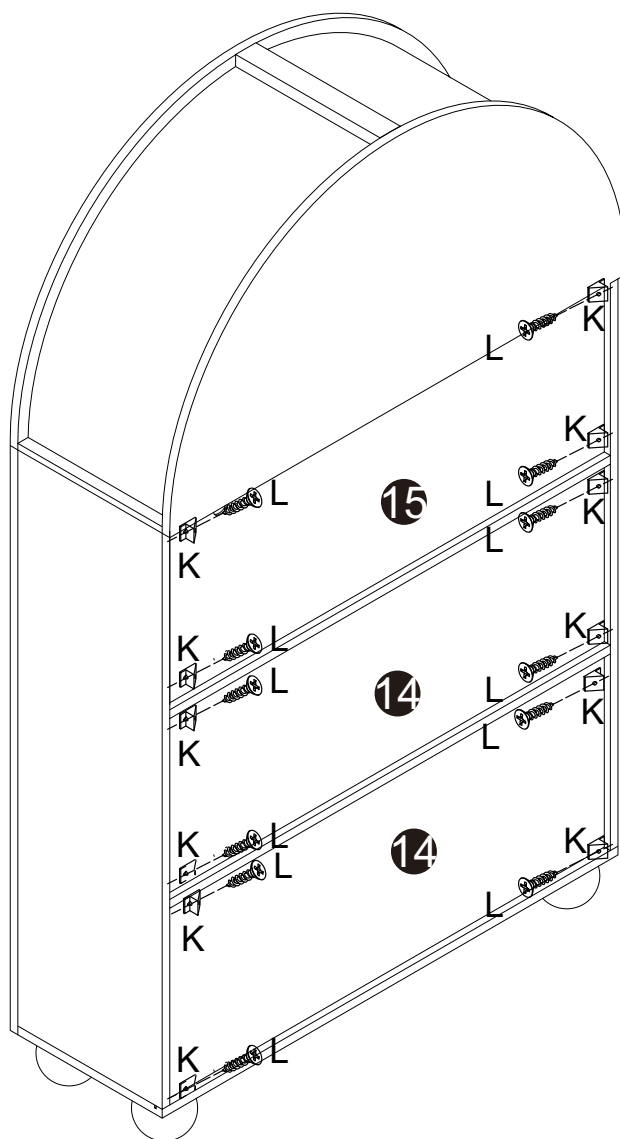
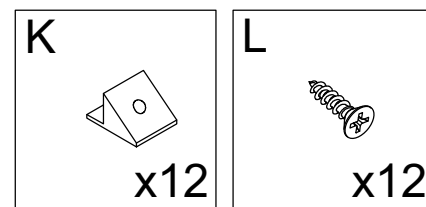
# STEP 15



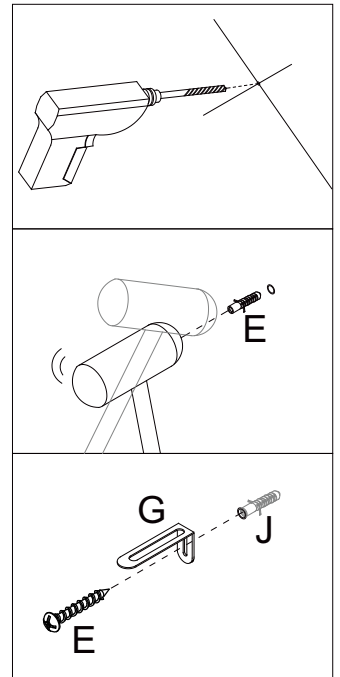
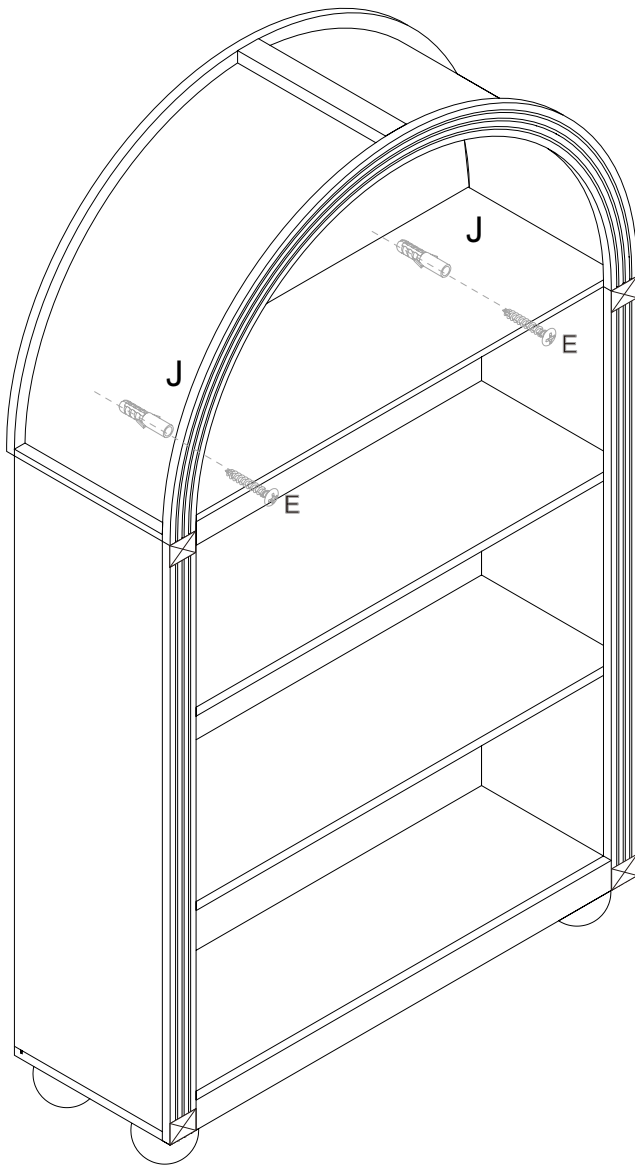
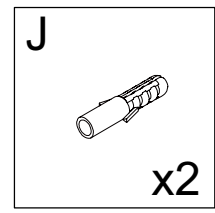
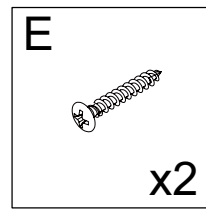
# STEP 16



# STEP 17



# STEP 18



# Proper Use

- DO NOT use for commercial purposes
- DO NOT use as a step stool or stand on table
- DO NOT put hot serving liquid directly on the table top
- DO NOT leave spilled liquid on the table top
- DO NOT use table if damaged
- DO NOT exceed weight limit
- DO NOT make temporary repairs
- DO NOT use outdoor

Dear Customer:

Thank you for purchasing our product,we wish you satisfy our service,if you have any further questions or any quality issues,please show the belows number and don't hesitate to contact our Customer Service People.