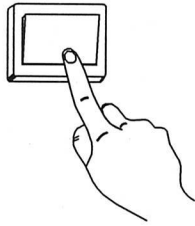
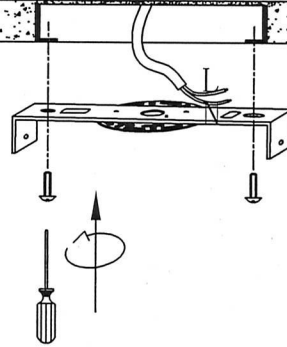


INSTALL INSTRUCTION

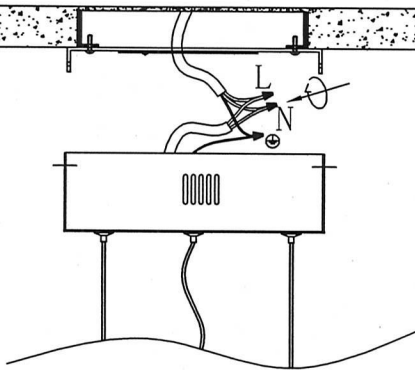
①



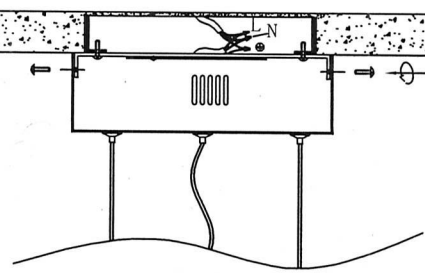
②



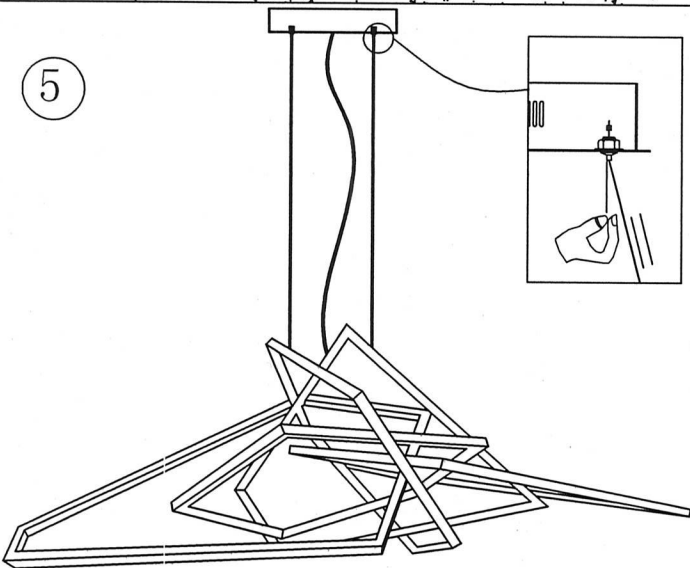
③



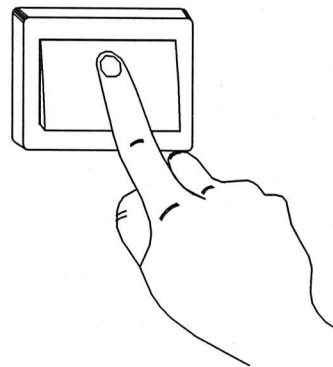
④



⑤



⑥



① turn off the power

④ Locking Plate screw, fixed lamp body

② Padlock panel

⑤ Adjust the lamp body balance

③ Connect the power cord

⑥ Connect the power cord