

# Assembly Instruction

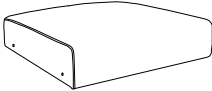
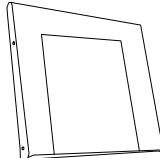
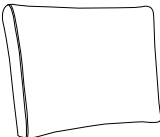
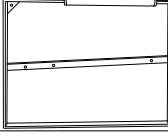
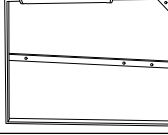
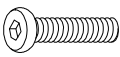



## Accent Chair



Hardware set is located inside the carton for assembly.

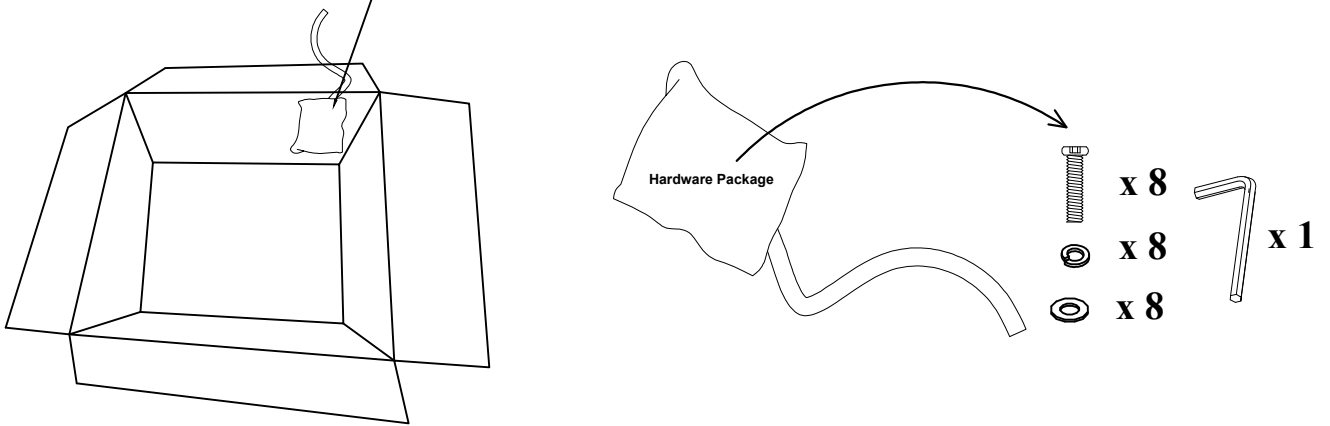
**Note: Do not use power tools for assembly. Power tools increase the risk of over tightening which lead to splitting or cracking the wood.**

### Component list

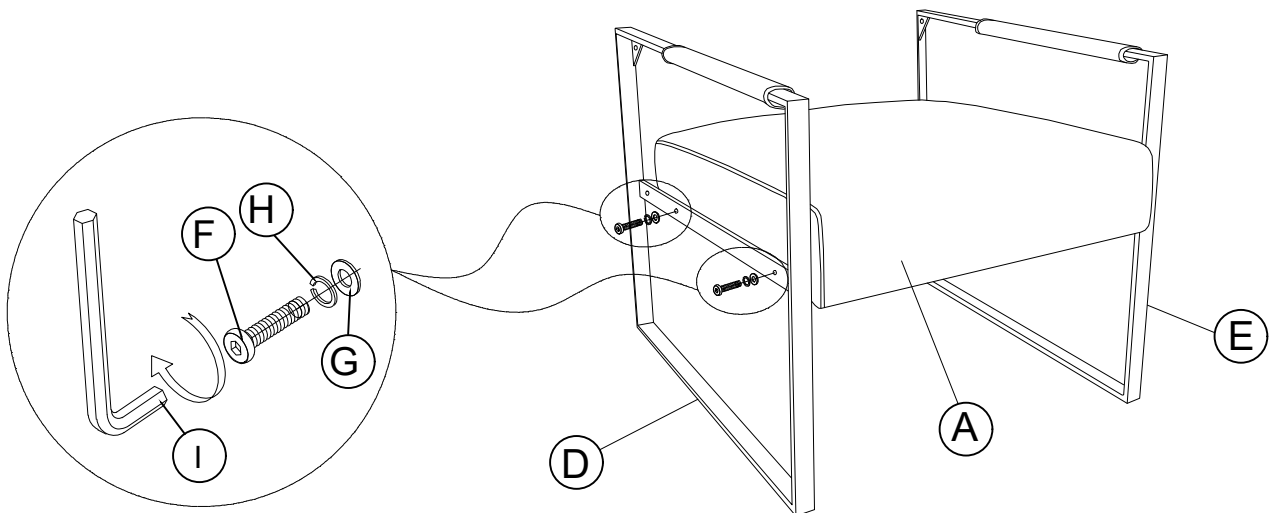
No	Drawing	Qty	Description
A		1	Chair Seat
B		1	Chair Back
C		1	Back Cushion
D		1	LSF Armrest
E		1	RSF Armrest
F		8	<b>Bolts</b> 5/16"*38mm
G		8	<b>Flat Washers</b> Ø19*Ø8.5*1.5mm
H		8	<b>Lock Washers</b> 5/16"*1.3mm
I		1	<b>Allen Wrench</b> M4*75*35mm

## Step #1

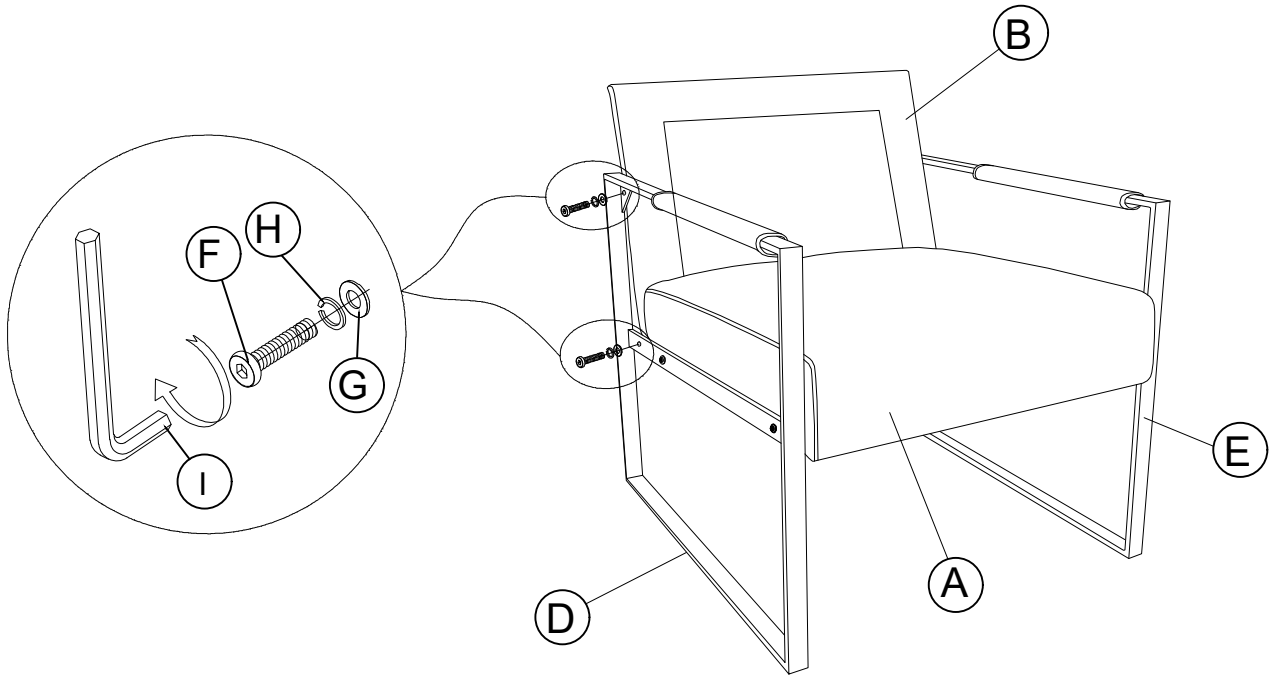
Hardware package on the inner wall of the carton.



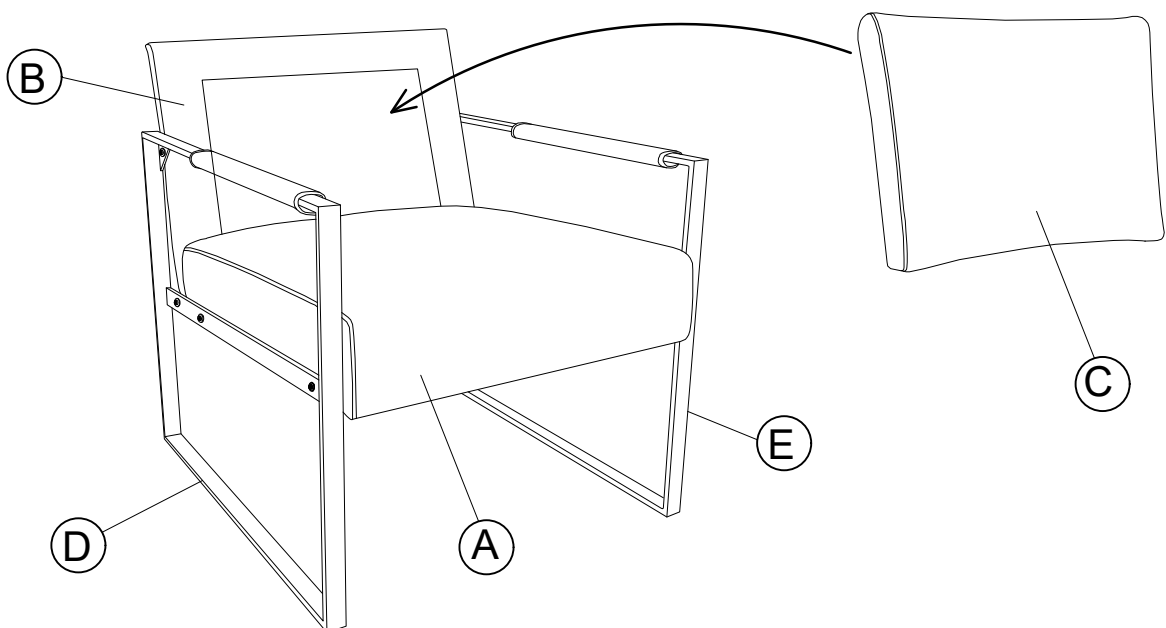
## Step #2



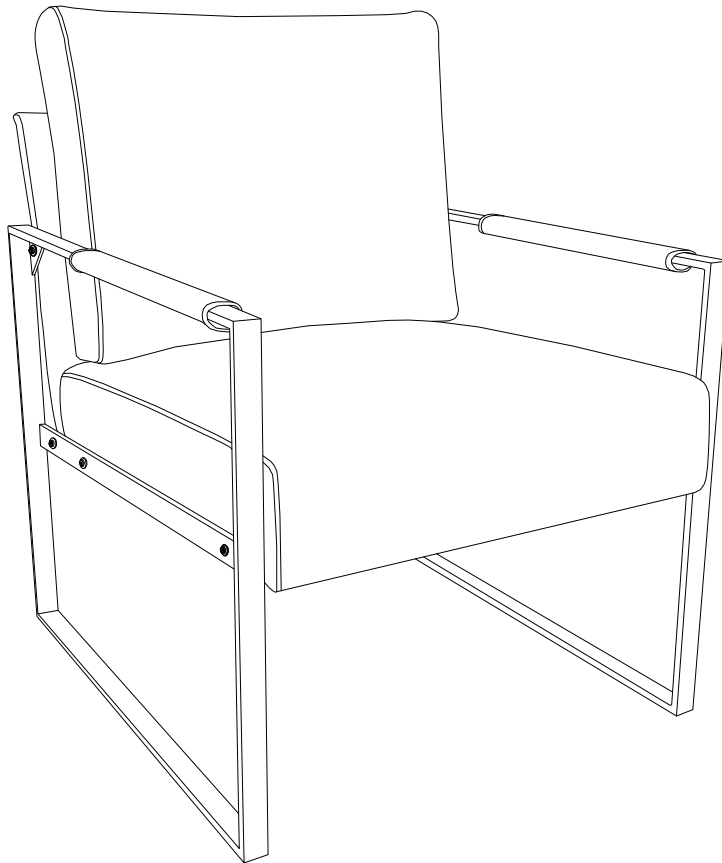
### Step #3



### Step #4



## Step #5



## Care Instruction for Faux Leather Furniture:

In order to maintain the original appearance of your faux leather Furniture, please follow below simple care procedures:

- Avoid exposing furniture directly to sunlight or heating and air conditioning outlets. Sunlight and or exposure to heating and air conditioning outlets will fade/damage faux leather.
- Vacuum or wipe with a soft cloth to remove dust.
- Hardware may loosen over time. Periodically check to make sure all connection are tight, Re-tighten if necessary



For items use on wooden floor, hard surfaces or carpets, it is recommended to Install protective pads under all legs and supports to avoid/prevent from damages/scratches and discoloration.