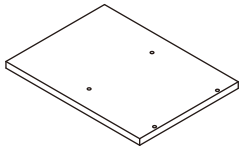
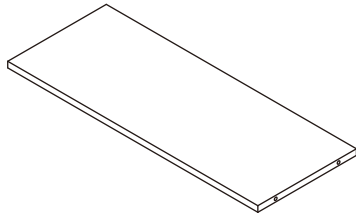


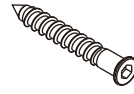
ASSEMBLY INSTRUCTION



Ax2



Bx2

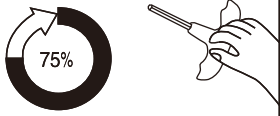
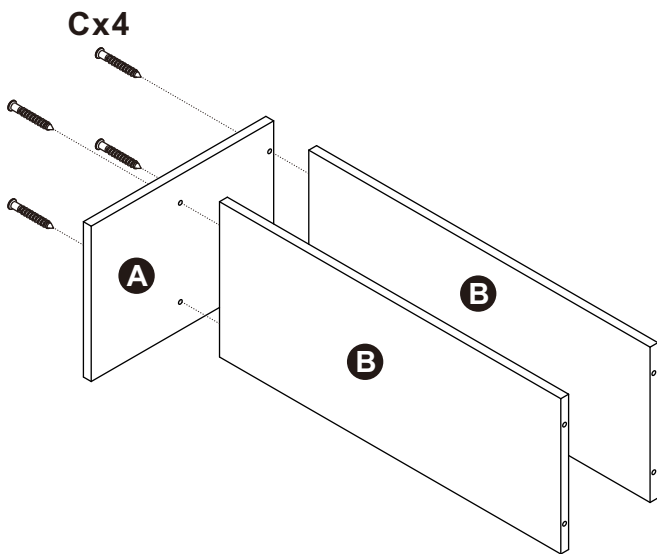


Cx8

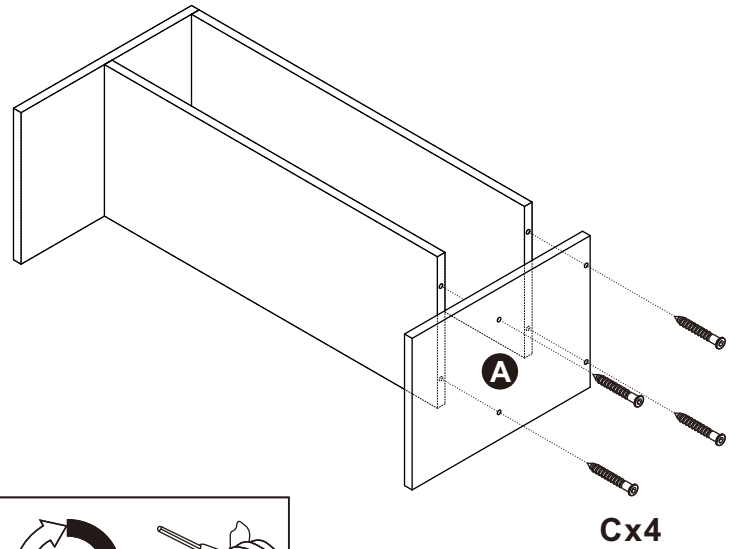


Dx1

1



2



3

