

Screws & Tools

M8x15mm



(A) x24

M8x35mm



(B) x6

M8x45mm



(C) x7

∅ 4x25



(D) x4

5x5mm

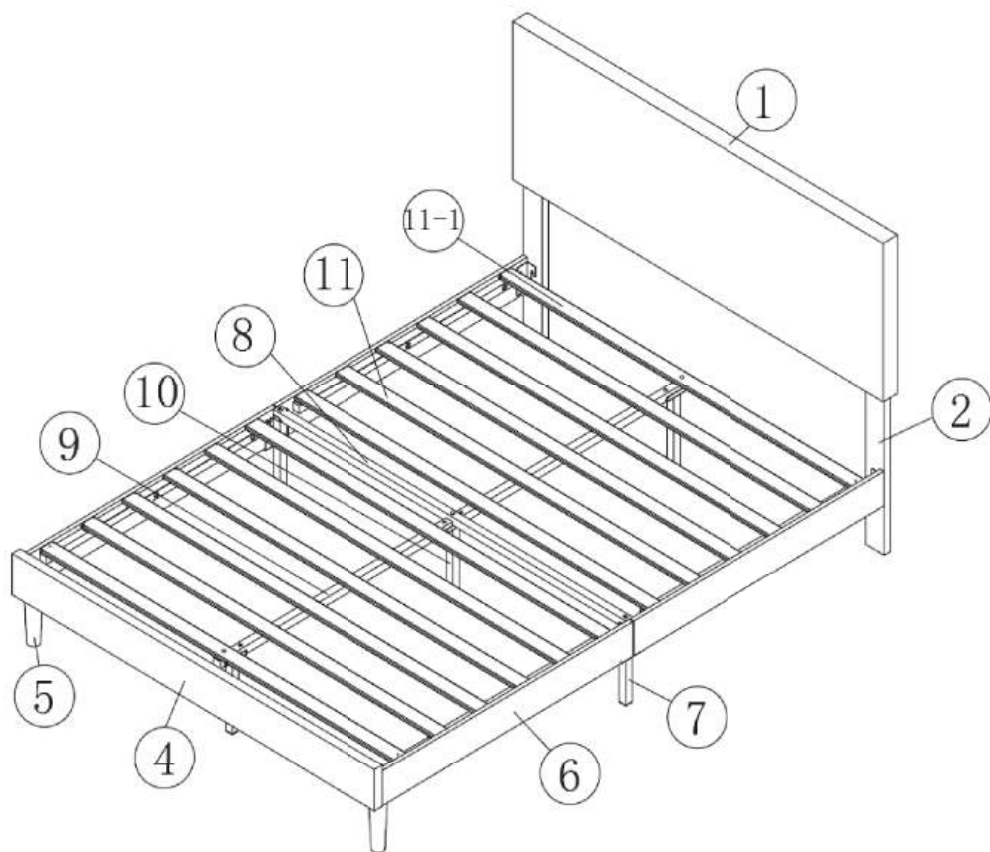


(E) x2

Check all the components & screws before assembly.
Do not install in case part is missing, contact us to get.

NOTE: THIS INSTRUCTION BOOKLET CONTAINS **IMPORTANT** SAFETY INFORMATION

Note: Don't tighten all screws during installation.



Components



① x1



② x2



④ x1



⑤ x2



⑥ x4



⑦ x2



⑧ x1



⑨ x2



⑩ x3



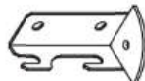
⑪ x2



⑪-1 x2



⑫ x1



⑫-1 x1

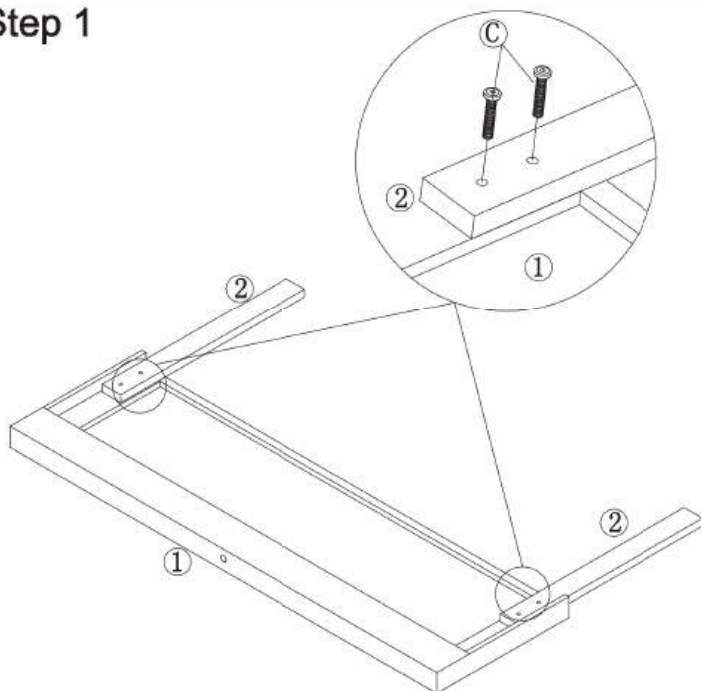


⑬ x1

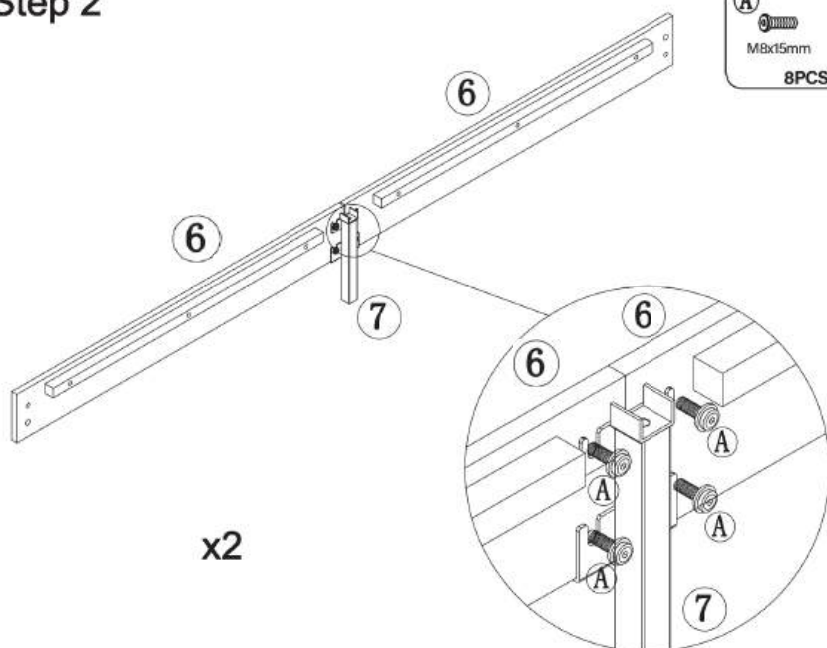


⑬-1 x1

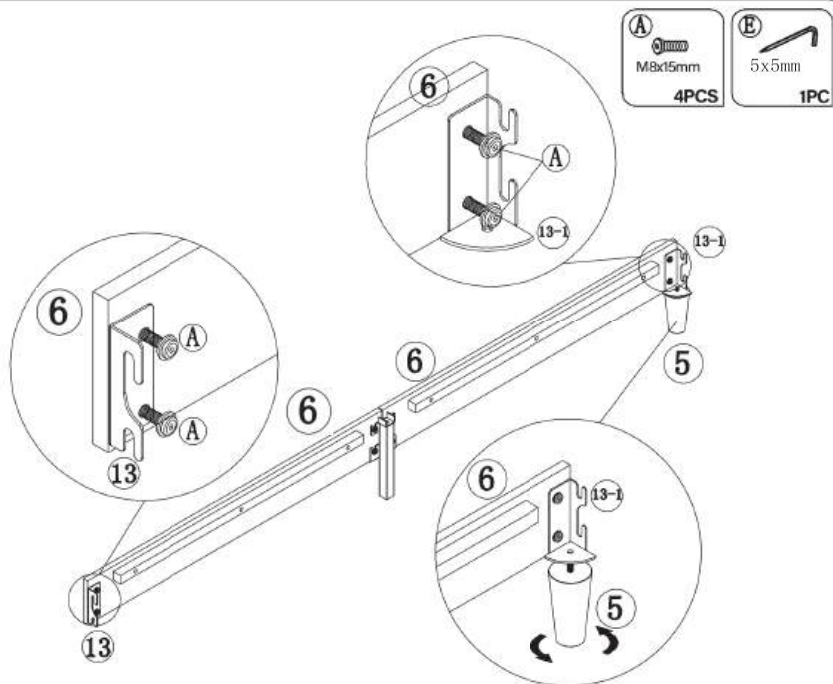
Step 1



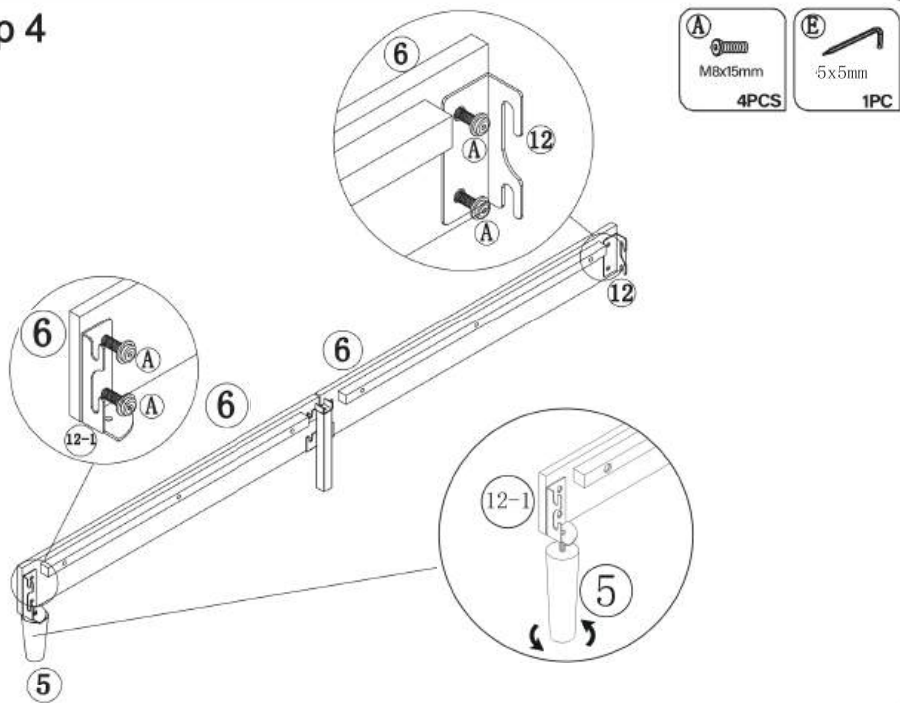
Step 2



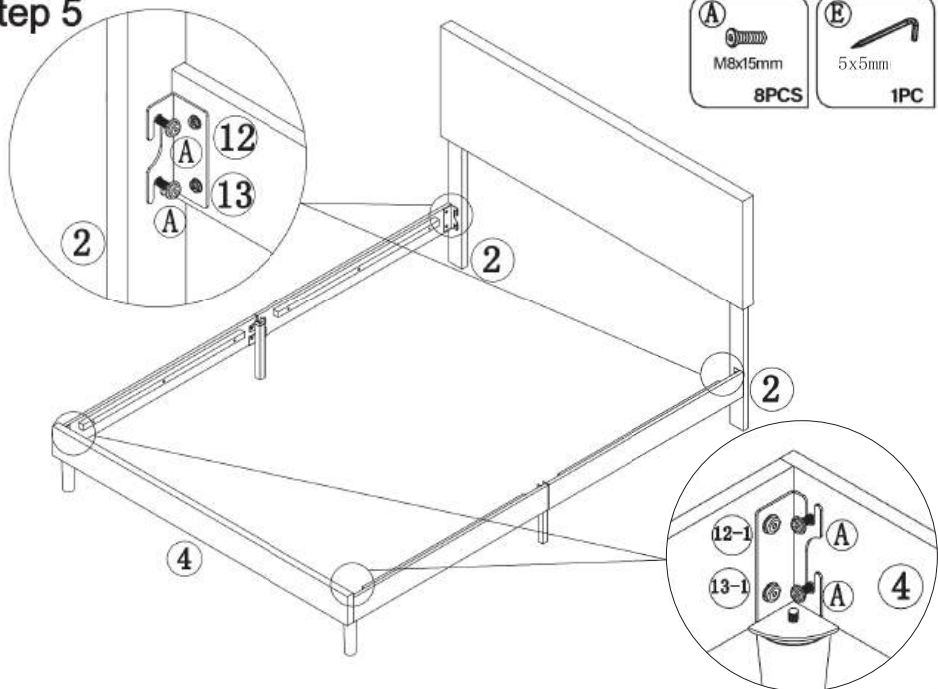
Step 3



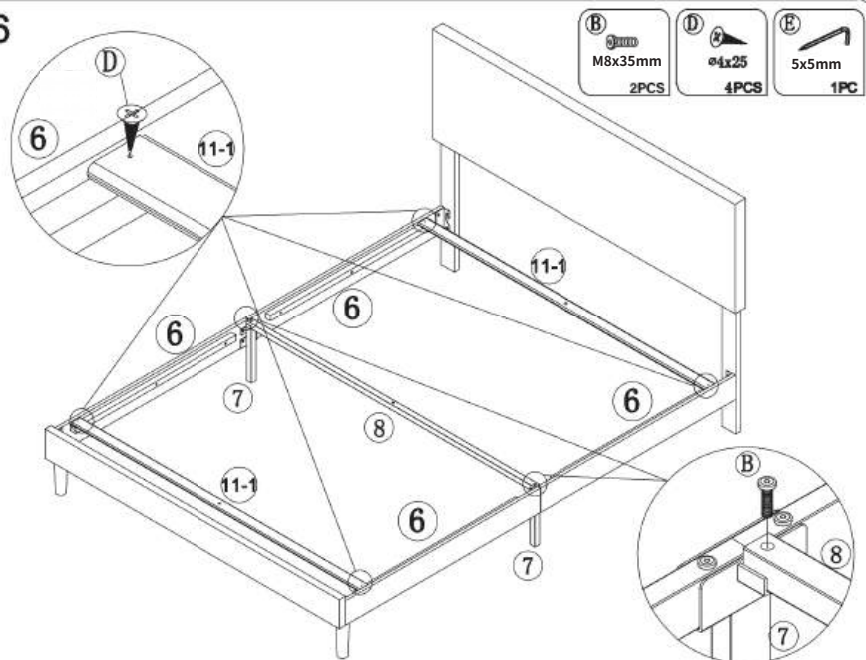
Step 4



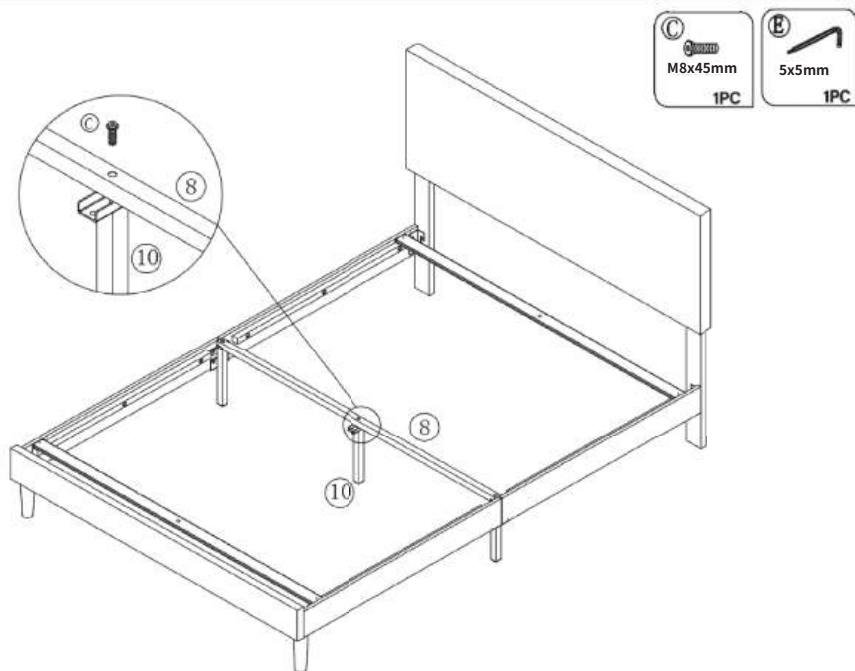
Step 5



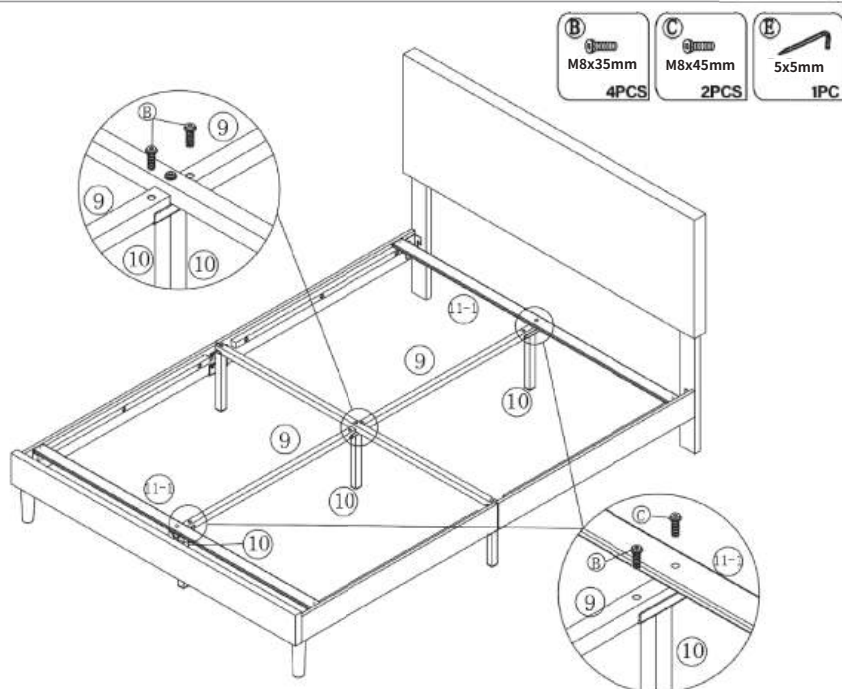
Step 6



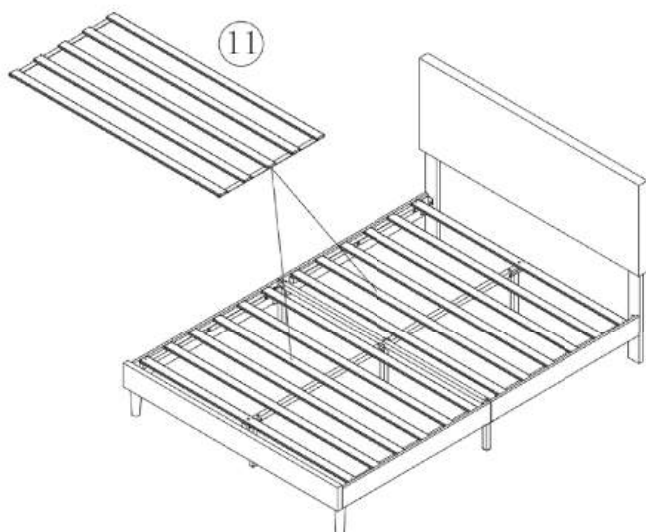
Step 7



Step 8



Step 9



Note:

Pls check and tighten all screws.