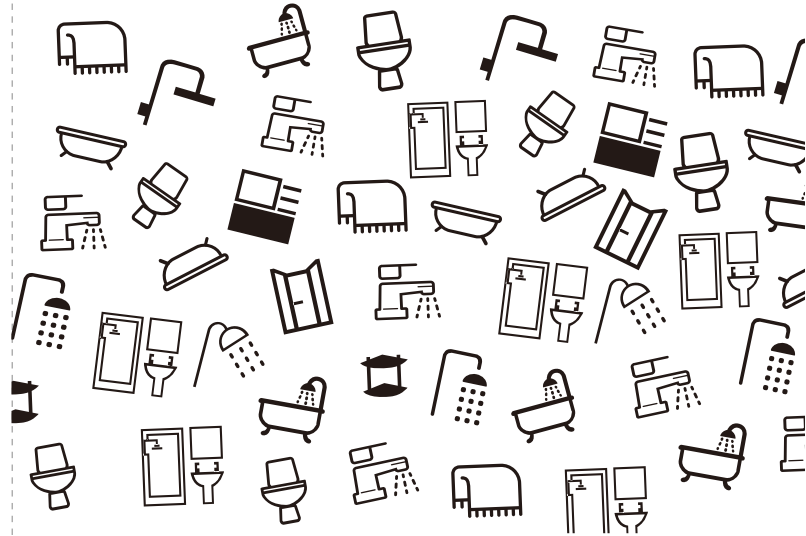


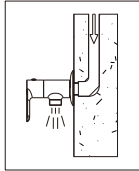
Installation Guide



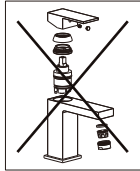
Before using please read the instruction carefully, and keep it well.

Installation Attention

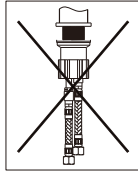
1. Open the product packing; check for **all** the accessories according to the accessories list. If you lack any accessories, please contact your local supplier.
2. The cartridge is the main body it has been tested and adjusted in the factory, do not remove it or take it apart.
3. Before installing your new mixer, flush through the supply pipes to ensure the removal of debris to avoid and prevent clogs.
4. After installing, check the supply pipes to avoid any leakage.
5. Inlet water pressure: $0.05\text{Mpa} < \text{inlet water pressure} < 0.75\text{Mpa}$ (including cold water pressure).



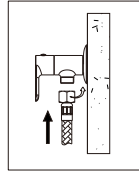
Clean the supply pipes and make sure it's no clog & debris in water line. Otherwise it will Damage the faucet.



Do not take the faucet apart.



No leakage in the connection.



Connect hoses tight enough (FOR water-fall faucet, you must loosen this hose to clean up the sundary)

Note:

We have been enhancing our products quality by constantly improving the design and performance of our products.

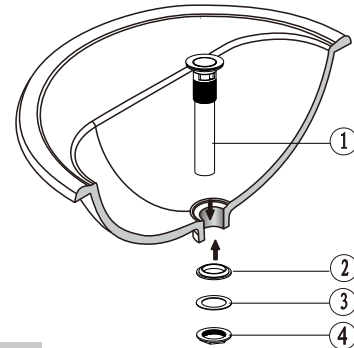
We reserve the right to change specifications, product descriptions, product quality, pricing and application at any time without prior written or oral notice.

MAINTENANCE

Please do the cleaning regularly to keep the shining surface of your faucet.

1. Clean the faucet with clear water, then dry the faucet with soft cotton cloths.
2. Do not use any acid or abrasive detergent or even abrasive cloth to clean the faucet.
3. Remove the aerator and clean the dirty to keep the water running smoothly on a regular time schedule.

PRESS DOWN POP UP WATSE INSTALLATION

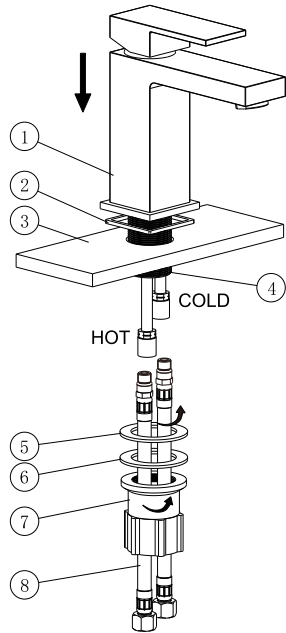


INSTALLATION:

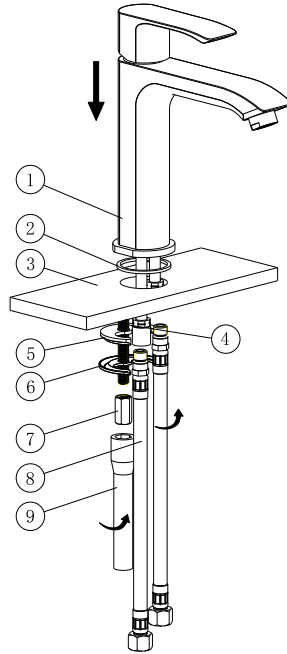
1. Put the pop up body (1) through the sink drain hole.
2. Insert the gasket (2)(3) from under, then lock the pop up with the nut (4)

SUIT FOR SINGLE BASIN FAUCET

Fixed Mode A



Fixed Mode B

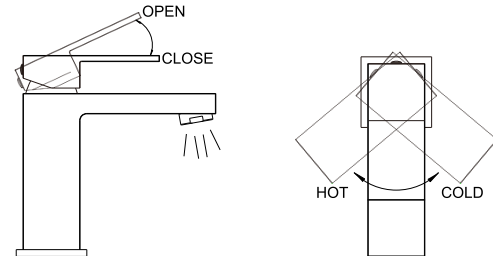


3	Sink	6	Metal Gasket	9	Lock Tool
2	Body Gasket	5	Rubber Gasket	8	Hose
1	Body	4	Thread Fitting	7	Lock Nut
S/N	Name	S/N	Name	S/N	Name

INSTALLATION:

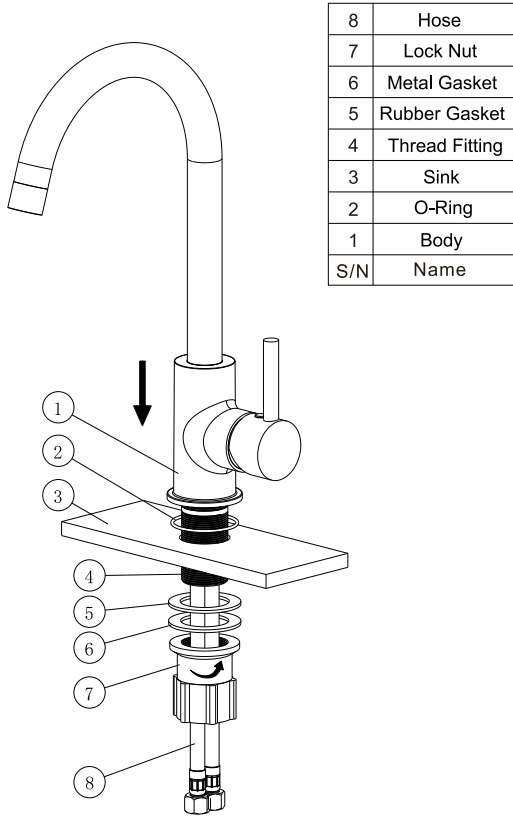
1. Drill a $\phi 3/8"$ (no less than 1.3") hole in Sink, put the gasket(2) into the groove under the faucet body(1).
2. Insert the faucet body(1) on the sink through the hole. Put the rubber gasket(5) and the metal gasket(6) into the thread fitting(4), and lock the lock nut(7) to the end of the thread fitting(4). Make sure the lock nut(7) is tight enough.
3. Connect the flexible hose with the supply tube, left(red) for hot water, right(blue) for cold water.

HOW TO USE



1. Turn on the water supply valve. to Check every joint if there is any leakage.
2. Pull the handle upward to open the faucet, Push down to cut off.
3. Face to the faucet, move the handle to the left for hot water, and move to the right for cold water.

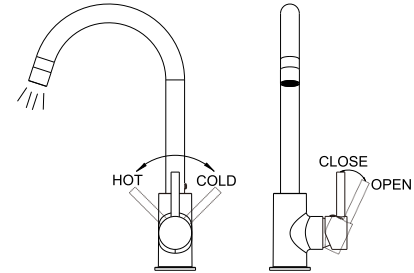
SUIT FOR SINGLE HANDLE KITCHEN FAUCET



INSTALLATION:

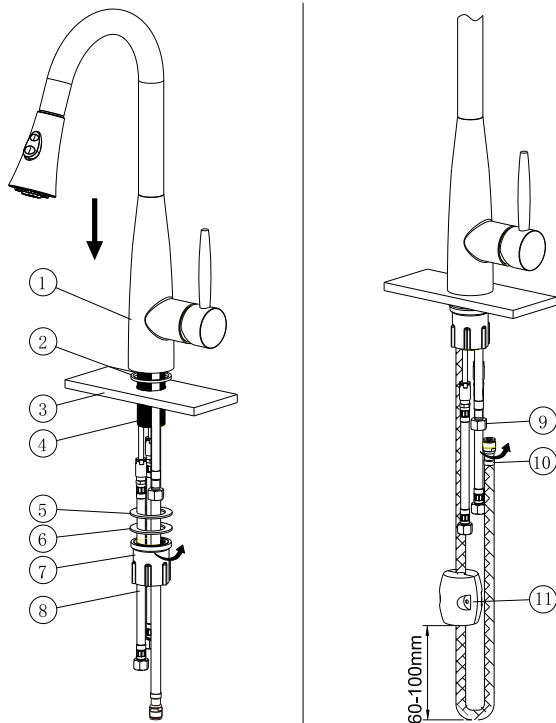
1. Drill a $\phi 1 \frac{3}{8}$ " (no less than 1.3") hole in Sink, put the O-Ring(2) into the groove under the faucet body(1).
2. Insert the faucet body(1) on the sink through the hole. Put the rubber gasket(5) and the metal gasket(6) into the thread fitting(4), and lock the lock nut(7) to the end of the thread fitting(4). Make sure the lock nut(7) is tight enough.
3. Connect the flexible hose with the s

HOW TO USE



1. Turn on the water supply valve. to Check every joint if there is any leakage.
2. Pull the handle upward to open the faucet, Push down to cut off.
3. Face to the faucet, move the handle to the front for hot water, and move to the backward for cold water.

SUIT FOR SINGLE HANDLE PULL DOWN /OUT KITCHEN FAUCET

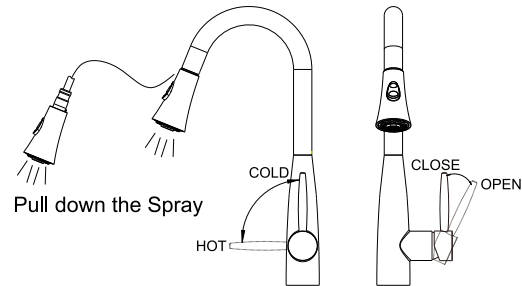


4	Thread Fitting	8	Inlet Hose		
3	Sink	7	Lock Nut	11	Shower hose
2	Body Gasket	6	Metal Gasket	10	Weight balance
1	Body	5	Rubber Gasket	9	Outlet Hose
S/N	Name	S/N	Name	S/N	Name

INSTALLATION:

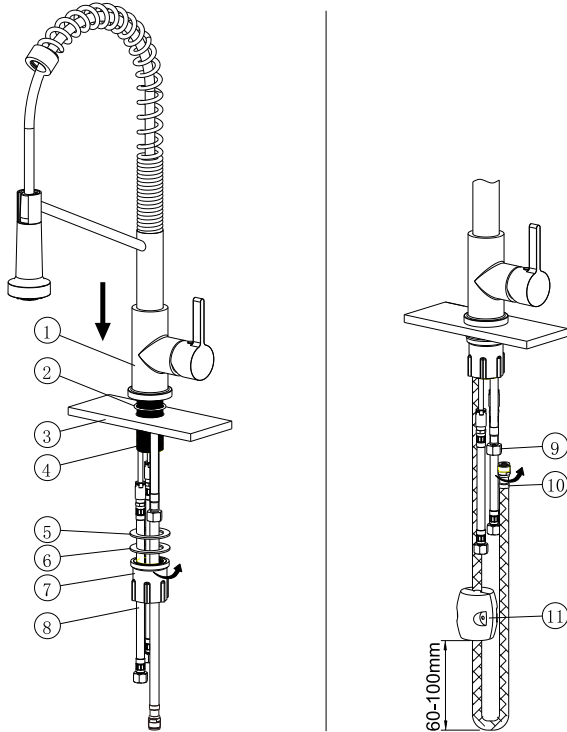
1. Drill a $\phi 1 \frac{3}{8}$ " hole in Sink, put the gasket(2) into the groove under the faucet body(1).
2. Insert the faucet body(1) on the sink through the hole. Put the rubber gasket(5) and the metal gasket(6) into the thread fitting(4), and lock the lock nut(7) to the end of the thread fitting(4). Make sure the lock nut(7) is tight enough.
3. Install the weight balance(11) at the suitable position. The weight balance should be 60-100mm high of ground floor, then connect the shower hose(10) to the outlet(9).
4. Connect the flexible hose with the supply tube, left (red) for hot water, right (blue) for cold water.

HOW TO USE



1. Turn on the water supply valve. To check every joint if there is any leakage.
2. Pull the handle upward to open the faucet, push down to cut off.
3. Face to the faucet, move the counter-clockwise from cold to hot water.

SUIT FOR SINGLE HANDLE PULL DOWN SPRING KITCHEN FAUCET

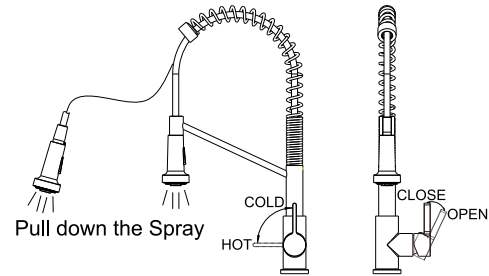


4	Thread Fitting	8	Inlet Hose		
3	Sink	7	Lock Nut	11	Shower hose
2	Body Gasket	6	Metal Gasket	10	Weight balance
1	Body	5	Rubber Gasket	9	Outlet Hose
S/N	Name	S/N	Name	S/N	Name

INSTALLATION:

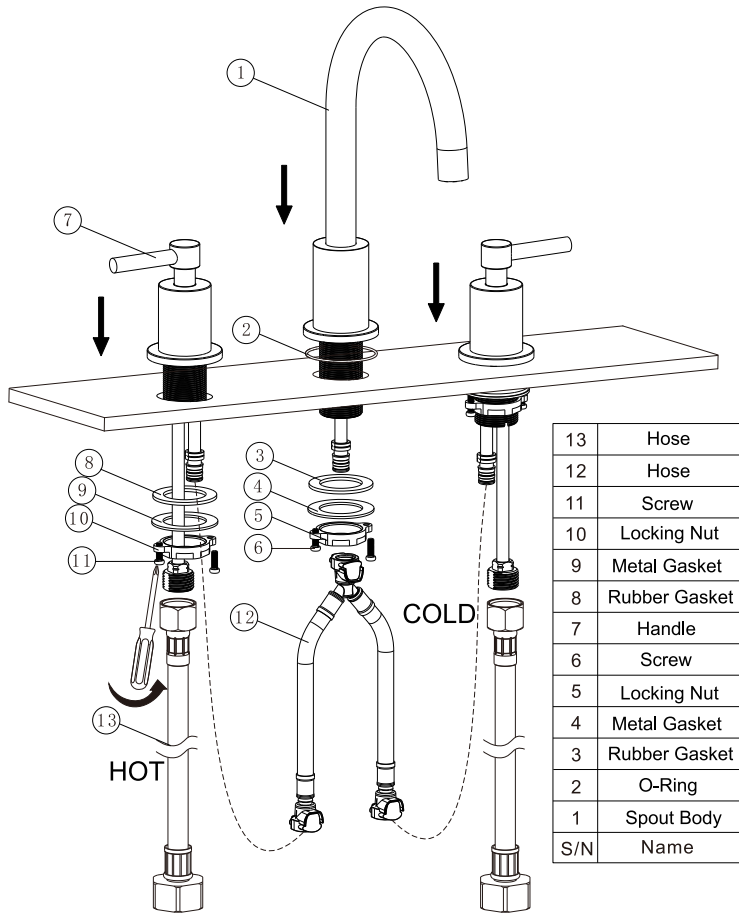
1. Drill a $\phi 1 \frac{3}{8}$ " hole in Sink, put the gasket(2) into the groove under the faucet body(1).
2. Insert the faucet body(1) on the sink through the hole. Put the rubber gasket(5) and the metal gasket(6) into the thread fitting(4), and lock the lock nut(7) to the end of the thread fitting(4). Make sure the lock nut(7) is tight enough.
3. Install the weight balance(11) at the suitable position. The weight balance should be 60-100mm high of ground floor, then connect the shower hose(10) to the outlet(9).
4. Connect the flexible hose with the supply tube, left (red) for hot water, right (blue) for cold water.

HOW TO USE



1. Turn on the water supply valve. To check every joint if there is any leakage.
2. Pull the handle upward to open the faucet, Push down to cut off.
3. Face to the faucet, move the counter-clockwise from cold to hot water.

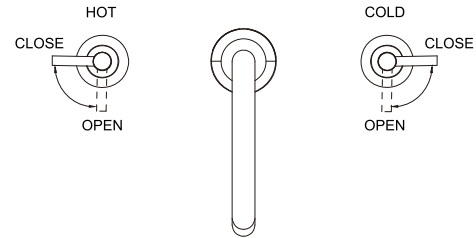
SUIT FOR ROMAN FILLER WITHOUT HAND SHOWER



INSTALLATION:

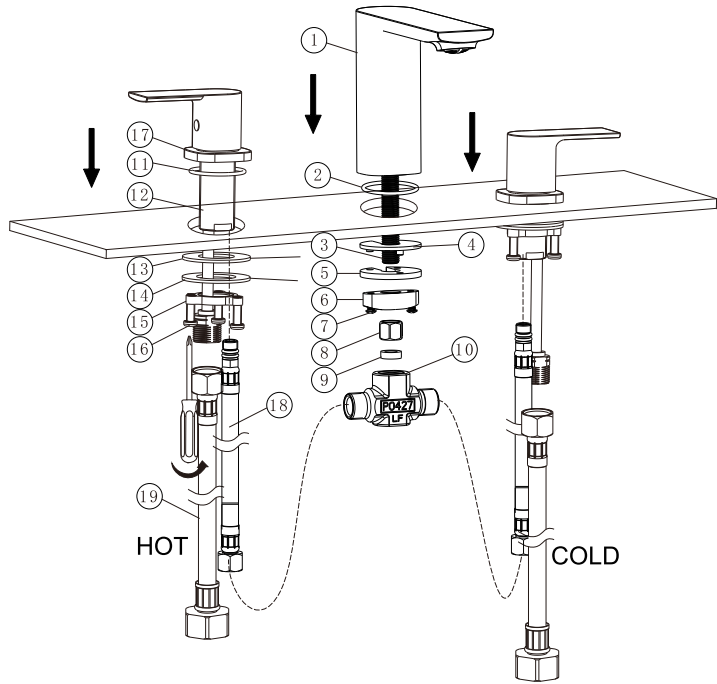
1. Drill one $\varnothing 33\text{mm}$ hole, two $\varnothing 28\text{mm}$ holes in sink..
2. Install the two handle valve body groups into the other two holes respectively, install the rubber gasket (8), stainless steel gasket (9), locking nut (10) in sequence, and lock them with two screws (11).
3. Put the O-ring (2) Install the water outlet group, and then put the water outlet group (1) into the middle hole, and install the rubber gasket (3), stainless steel gasket (4), and locking nut (5) in sequence. The screw (6) is locked; the quick connect hose (12) is connected with the copper pipe at the bottom of the water outlet, and the two are connected with the short water inlet pipe of the two handle valve body group.
4. Connect the hose (13) with the handle valves, left to hot water, right to cold water.

HOW TO USE



1. Turn on the water supply valve, to check every joint if there is any leakage.
2. The left handle control the hot water, and the right handle control the cold water.
3. When the handle at vertical "I" position, the faucet be turned on ; When the handle at horizontal "-" position, the faucet be cut off.

SUIT FOR ROMAN FILLER WITHOUT HAND SHOWER

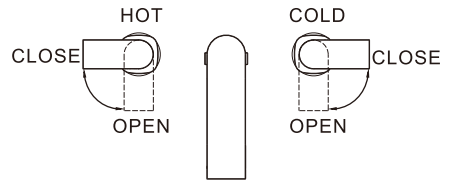


6	Locking Nut	12	Body	18\19	Hose
5	Rubber Gasket	11	O-Ring	17	Handle Base
4	Metal Gasket	10	Valve body	16	Screw
3	Sink	9	Rubber Gasket	15	Locking Nut
2	O-Ring	8	Locking Nut	14	Rubber Gasket
1	Spout Body	7	Screw	13	Metal Gasket
S/N	Name	S/N	Name	S/N	Name

INSTALLATION:

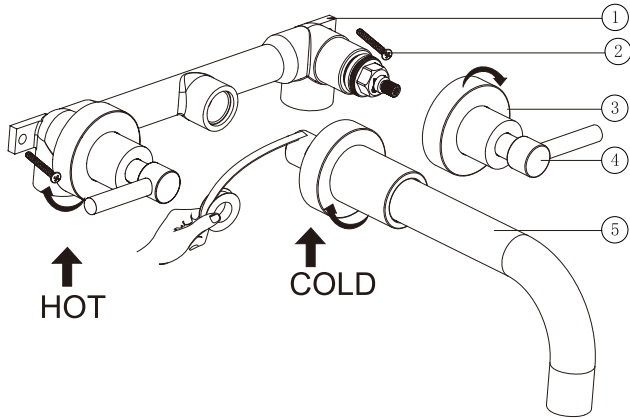
1. Drill one $\varnothing 33$ mm hole, two $\varnothing 28$ mm holes in sink..
2. Place o-ring(2) below the spout(1), and install spout into the center hole. Installation two screws(7)on mounting nut(6), install the rubber washer(4)and metal (5) onto the long thread tube(3), and tighten the retainr nut(8), firmly tighten the two screws(7) using screwdriver. place the rubber washer(9) into the diverter valve(10), and tighten the diverter valve to the long thread tube(3).
3. Install o-ring(11), handle base set(17)into the hole(10). installation three screws(16)on mounting nut(15),install the rubber washer(13) and metal (14) onto the long thread tube(12),and tighten mounting nut(15), firmly tighten the three screws(16) using screwdriver. Important: the direction of installation and opening the handles, please see 4.instruction.
4. Fix the connection hoses(18) to the copper tube of hot valve and cold valve. Pay attention: hot on the left, cold on the right. Fix the connection hoses(18) to the diverter valve(9). Make sure the supply hoses are well tightened.tightened by adjustable wrench when necessary. Connect the hose(19) with the handle valves, left to hot water, right to cold water.

HOW TO USE



1. Turn on the water supply valve, to check every joint if there is any leakage.
2. The left handle control the hot water, and the right handle control the cold water.
3. When the handle at vertical "I" position, the faucet be turned on ;
When the handle at horizontal "—" position, the faucet be cut off.

SUIT FOR TWO-HANDLE WALL MOUNTED VESSEL FILLER

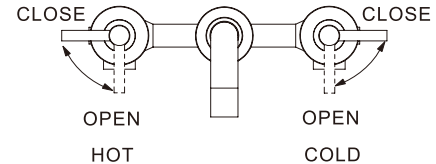


3	Handle base	6	
2	Screw	5	Spout
1	Valve	4	Handle
S/N	Name	S/N	Name

INSTALLATION:

1. Install the valve (1) first, set it on the wall with screw (2), left to hot water supply tube, right to cold water supply tube.
2. Wind the tape on the thread of the spout, then connect the spout with the valve as shown.
3. Put on the handle base and install the handle sets on the valve.

HOW TO USE



1. Turn on the water supply valve, to check every joint if there is any leakage.
2. The left handle control the hot water, and the right handle control the cold water.
3. When the handle at vertical "I" position, the faucet be turned on ; When the handle at horizontal "—" position, the faucet be cut off.