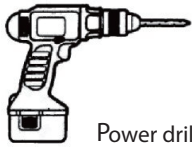


3-Tier Display Wall Shelf

TOOLS REQUIRED



Hammer



Power drill



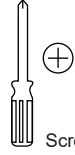
3/8 in. drill bit



Level

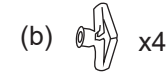
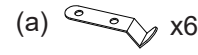
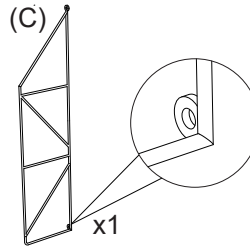
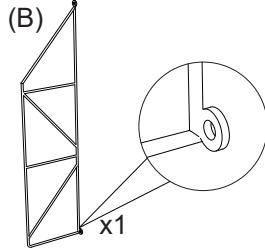
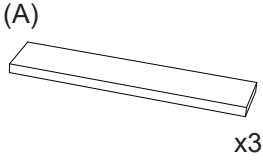


Pencil

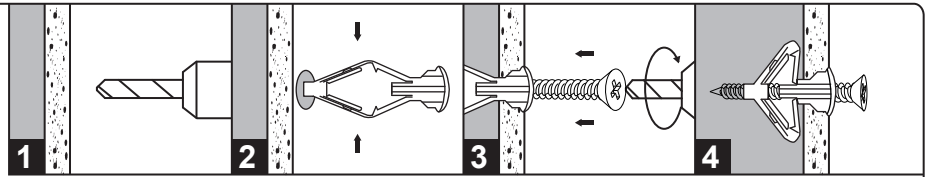


Screwdriver

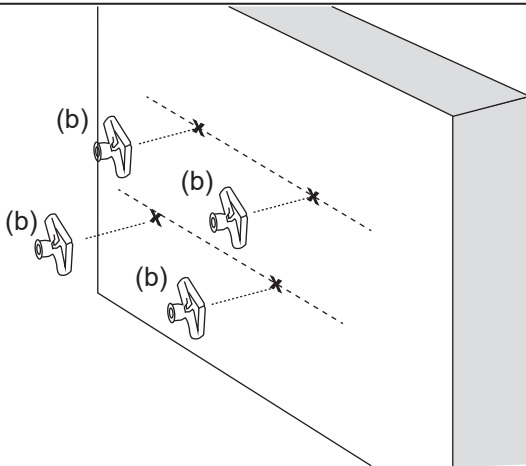
PACKAGE CONTENTS



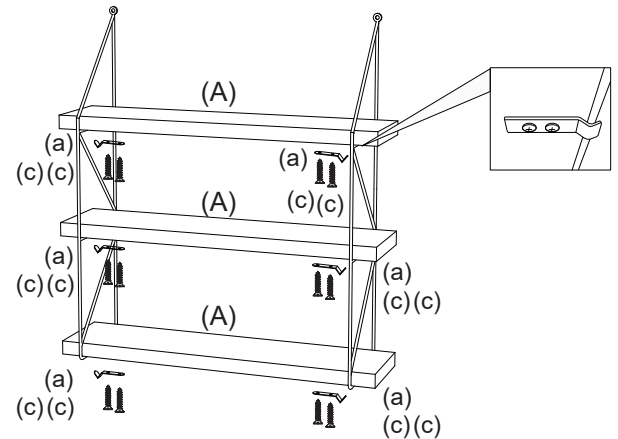
Install plastic anchors



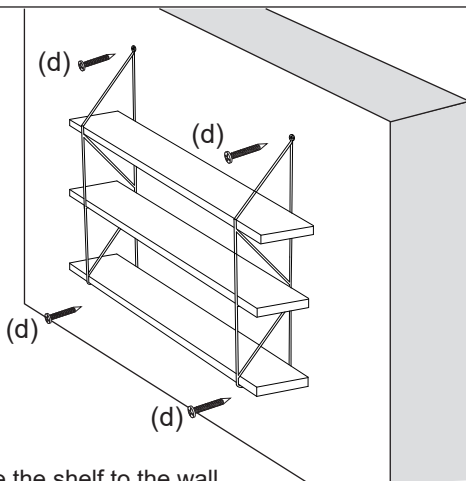
Drill a hole through the drywall where you wish to install the anchor. Squeeze the wing together with your fingers. Force the end of the wing through the hole until the ends of the wing snap into place on the backside of the drywall. Put screws right to the center of the butterfly bolt and screw it into anchor holes until only about a 1/4" is outside of the wall.



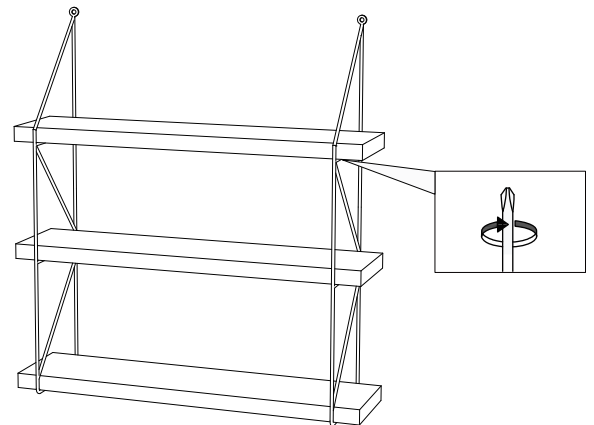
1. Fold the anchors and insert them into the holes in the wall



2. Screw the bracket(a) to the bottom of the shelf but don't tighten the screws. Line up the groove of the bracket(a) with the bar on the side bracket.



3. Secure the shelf to the wall.



4. Tighten all the screws on bracket(a) for each shelf

DISCLAIMER: Install our shelf and shelving units according to instructions provided. We are not responsible for injury or damage resulting from incorrect installation or use. Our products are for use only as shelves units and are not intended for any other purposes.

* The emission of the chemicals listed in Prop 65 in this product has been tested to meet the standard of CARB ATCM.