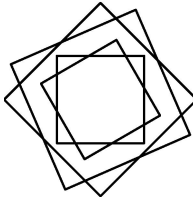
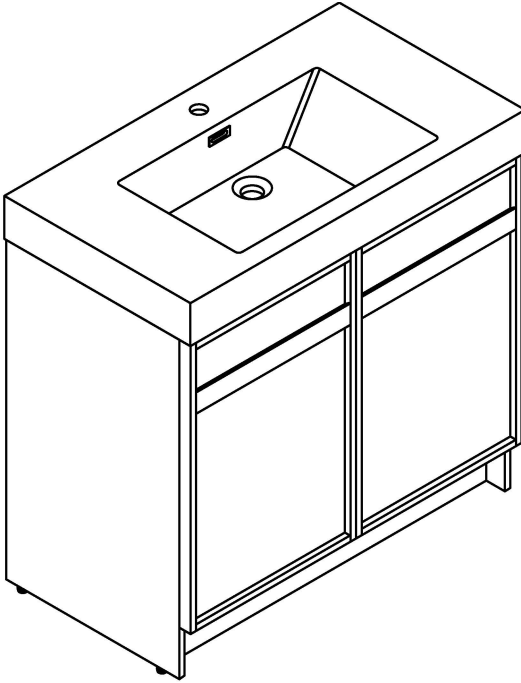




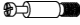






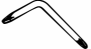
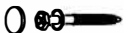


Installation Manual



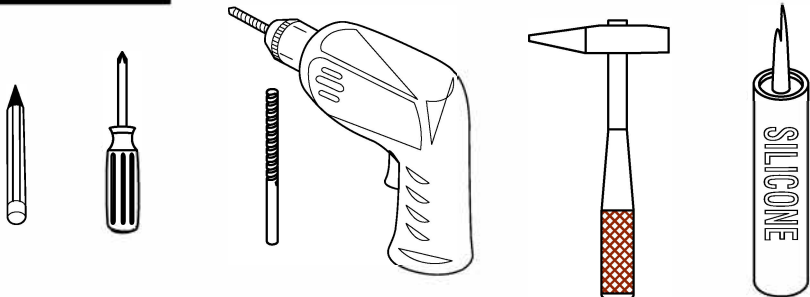
Thank you for shopping with us!

We encourage you to take a few minutes to go through this booklet. It contains important information on installation and care tips to keep your furniture looking as good as new.

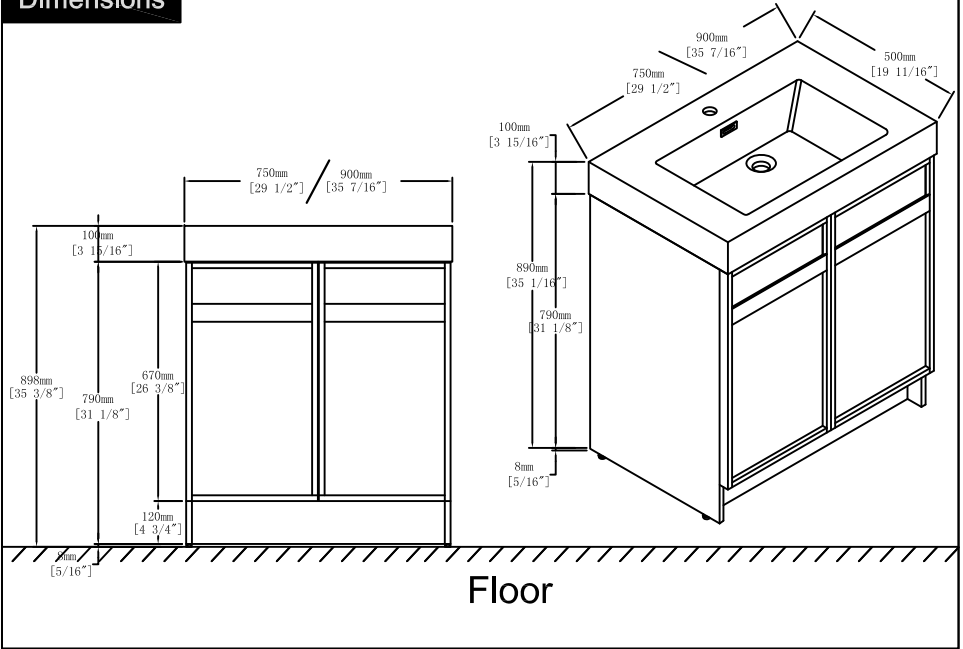
Hardware

NO.	Draw	QTY	NO.	Draw	QTY
A	 Screws Ø4x14mm	44	I	 Hinges (Full cover)	4
B	 Two-in-one connector	24	J	 Adjustable feet	4
C	 Two-in-one connector	24	K	 Movable laminate support	4
D	 Wood plug	4	L	 Anti-collision gasket	4
E	 Plastic anchor(Ø10mm)	2	M	 Screwdriver	1
F	 Screws for fix on the wall	2			
G	 Bracket (53x70x44mm)	2			
H	 Bracket (19x19x35mm)	2			

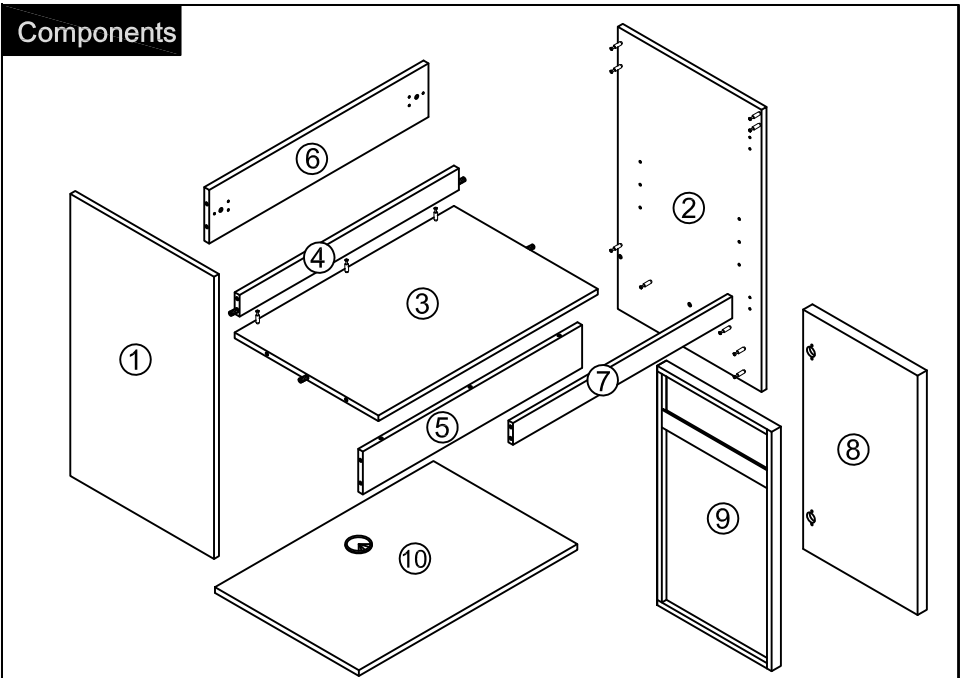
Recommended tools



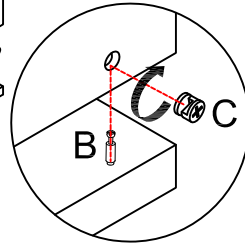
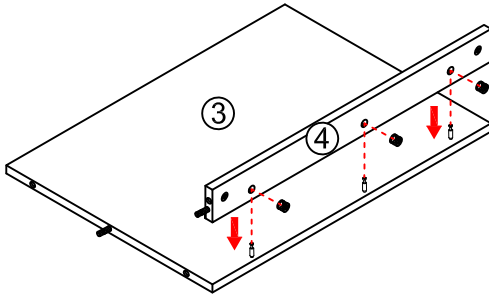
Dimensions

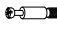




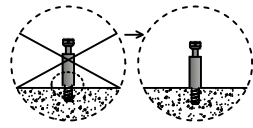
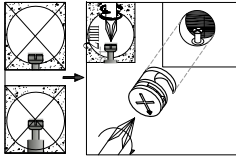
Components



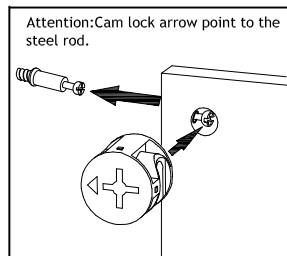
Step 1



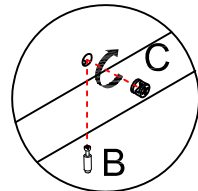
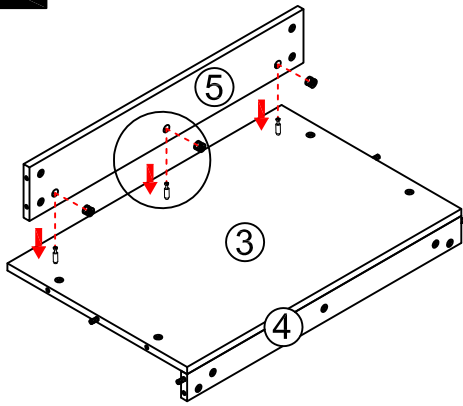
-  x3
- B**
-  x3
- C**
- 
- M**

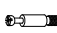




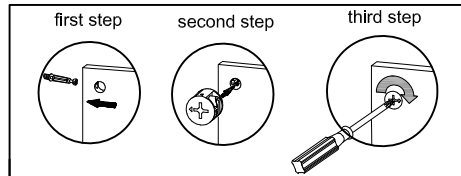
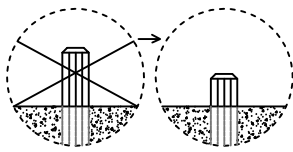
Notes: Screw installation depth as shown



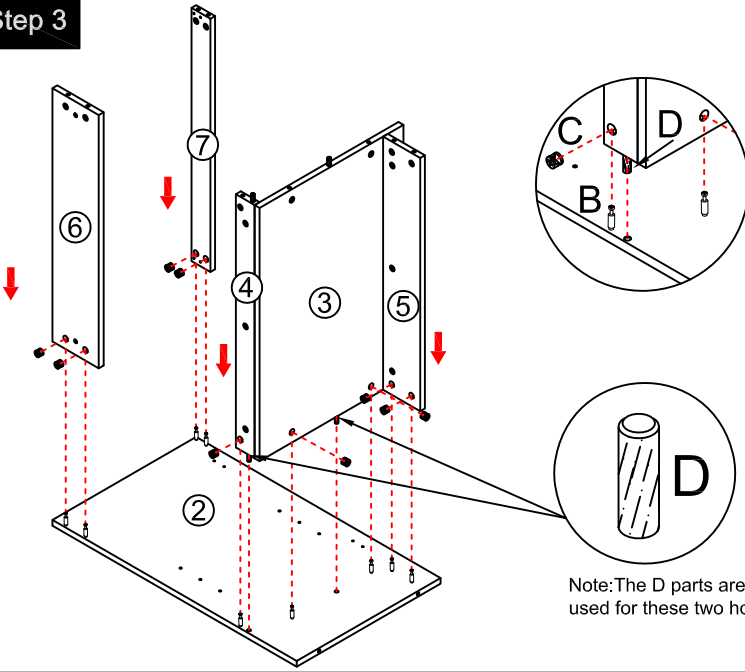
Step 2

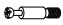





-  x3
- B**
-  x3
- C**
- 
- M**



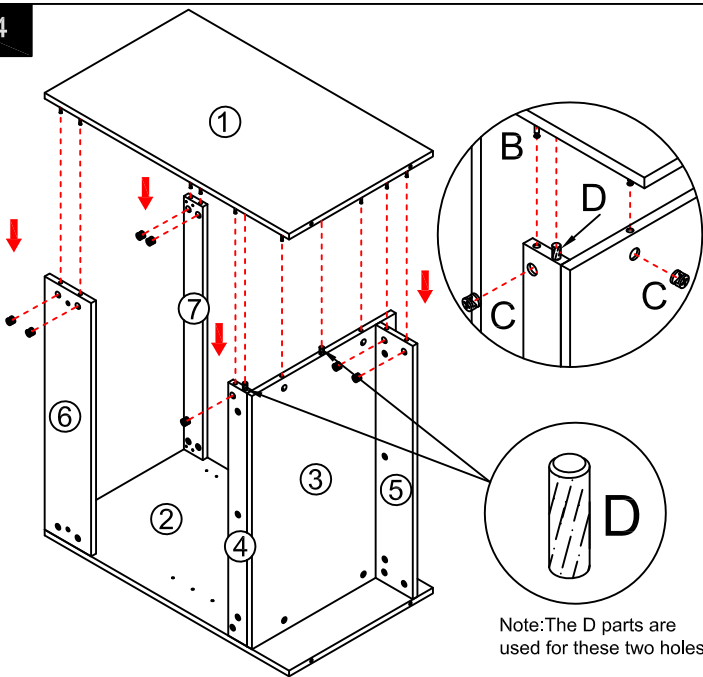
Step 3

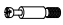





-  x9
-  x9
-  x2
-  M

Note: The D parts are used for these two holes

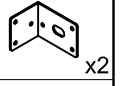
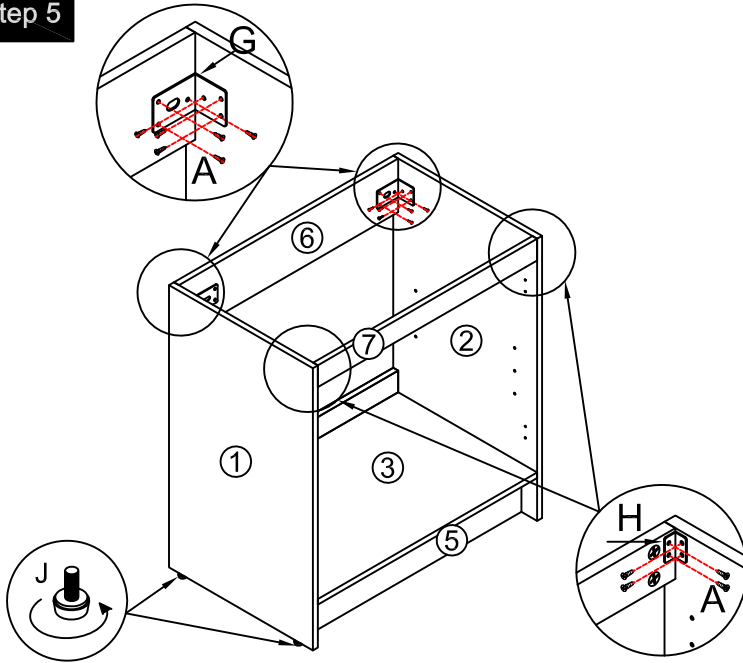
Step 4



-  x9
-  x9
-  x2
-  M

Note: The D parts are used for these two holes

Step 5



G



H



A

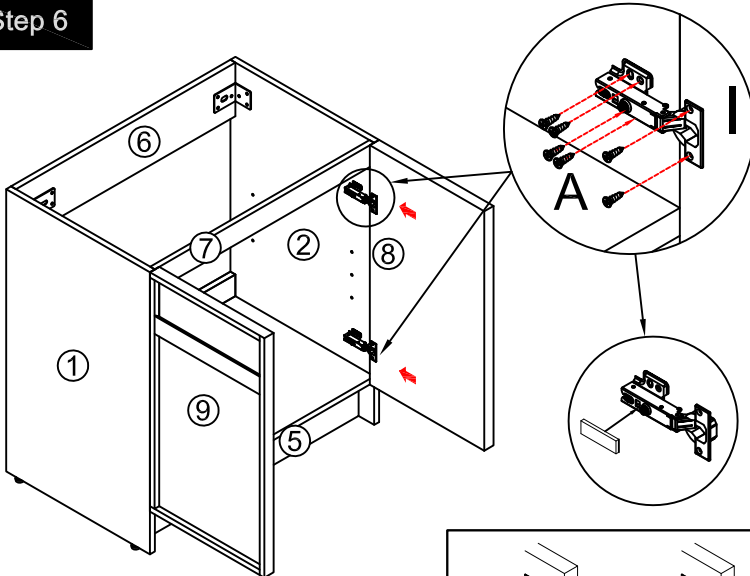


J

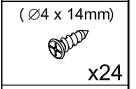


Tool

Step 6



I

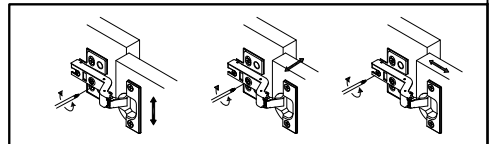


A



Tool

You can adjust the doors by tightening or loosening the screws on the hinge. →

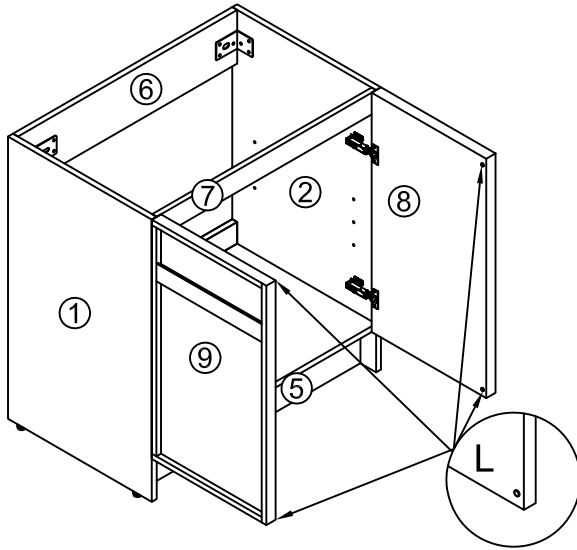


Step 7

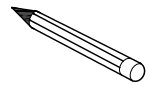


x4

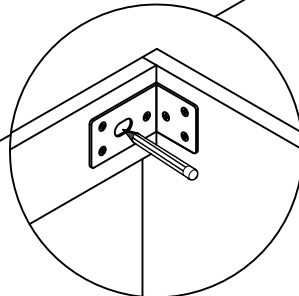
L



Step 8



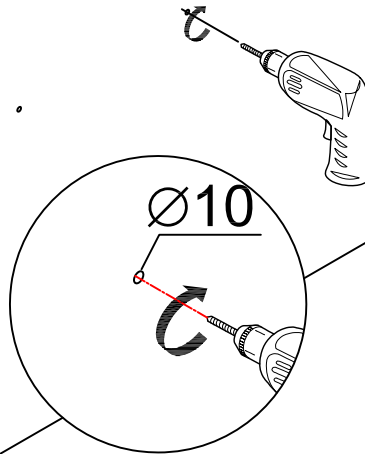
Tool



Step 9



Tool

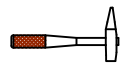


Step 10

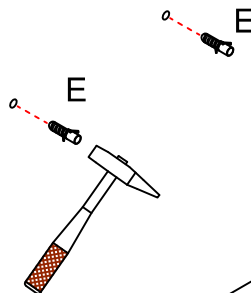


x2

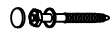
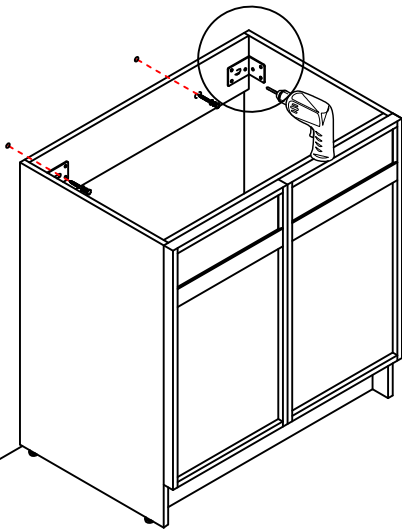
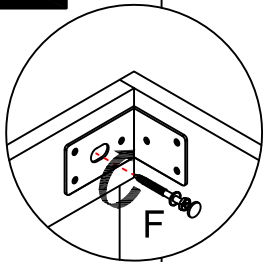
E



Tool



Step 11

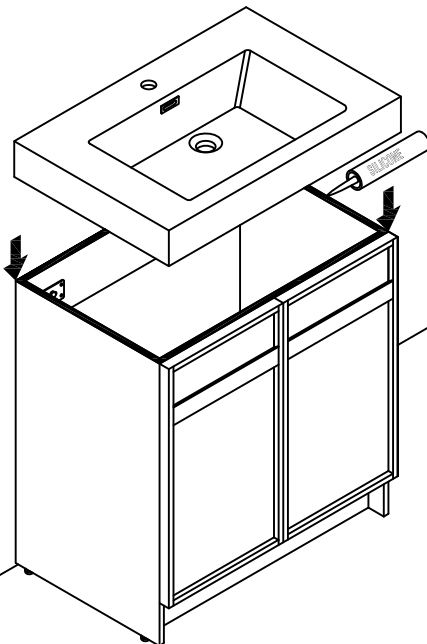


x2

F



Step 12

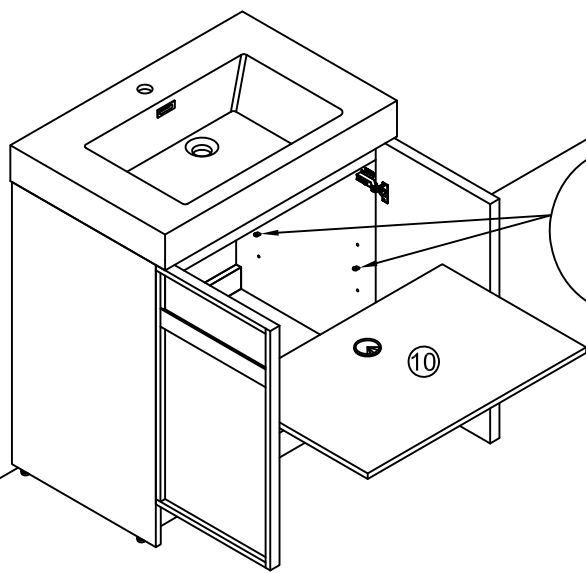


Step 13

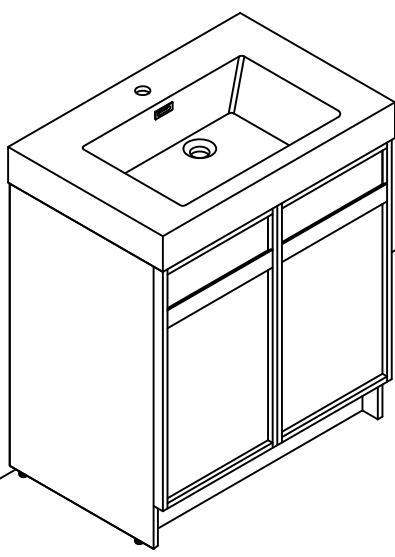


x4

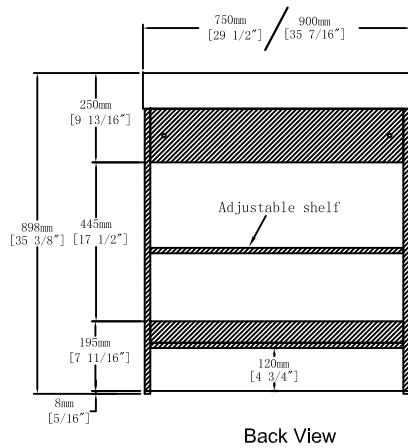
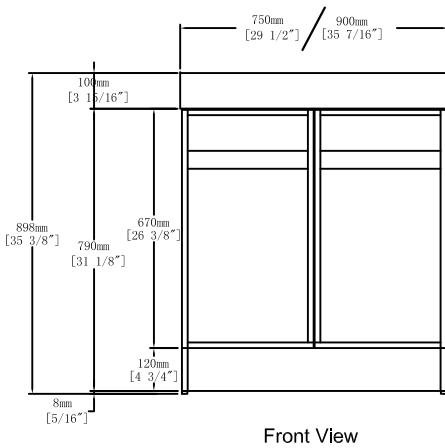
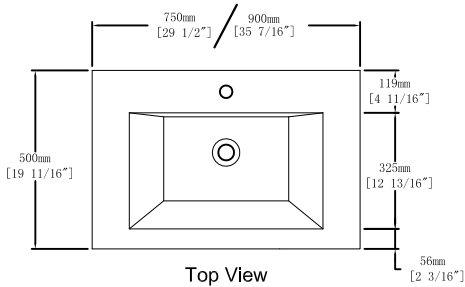
K



Finished



Dimensions



CARE CLEANING AND MAINTENANCE

1. Dust regularly with a soft , dry cloth.
2. Avoid the use of all chemicals household cleaners, abrasives, or cleaners that contain lemon, vinegar, or other acids that may damage the finish.
3. Excessive exposure to sunlight and extreme changes in temperature and moisture can damage wood furniture.
4. The sink is fragile, please pay attention to maintaining its appearance.
5. Do not place hot appliances, such as curling irons and hot hair dryers directly on the countertop. Wipe spills immediately.