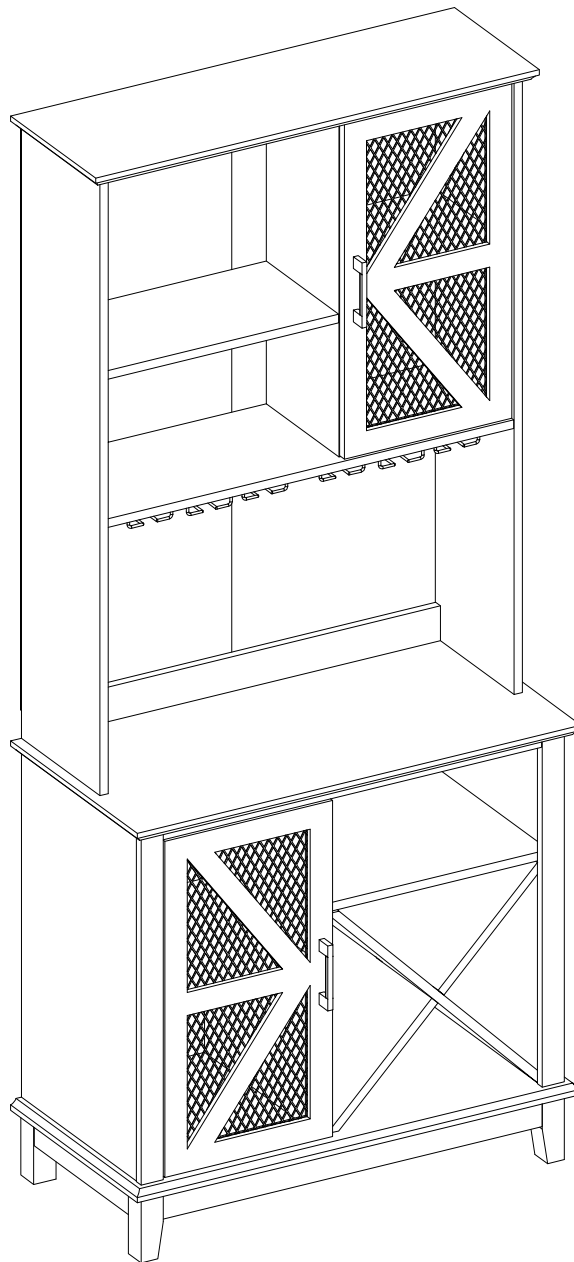
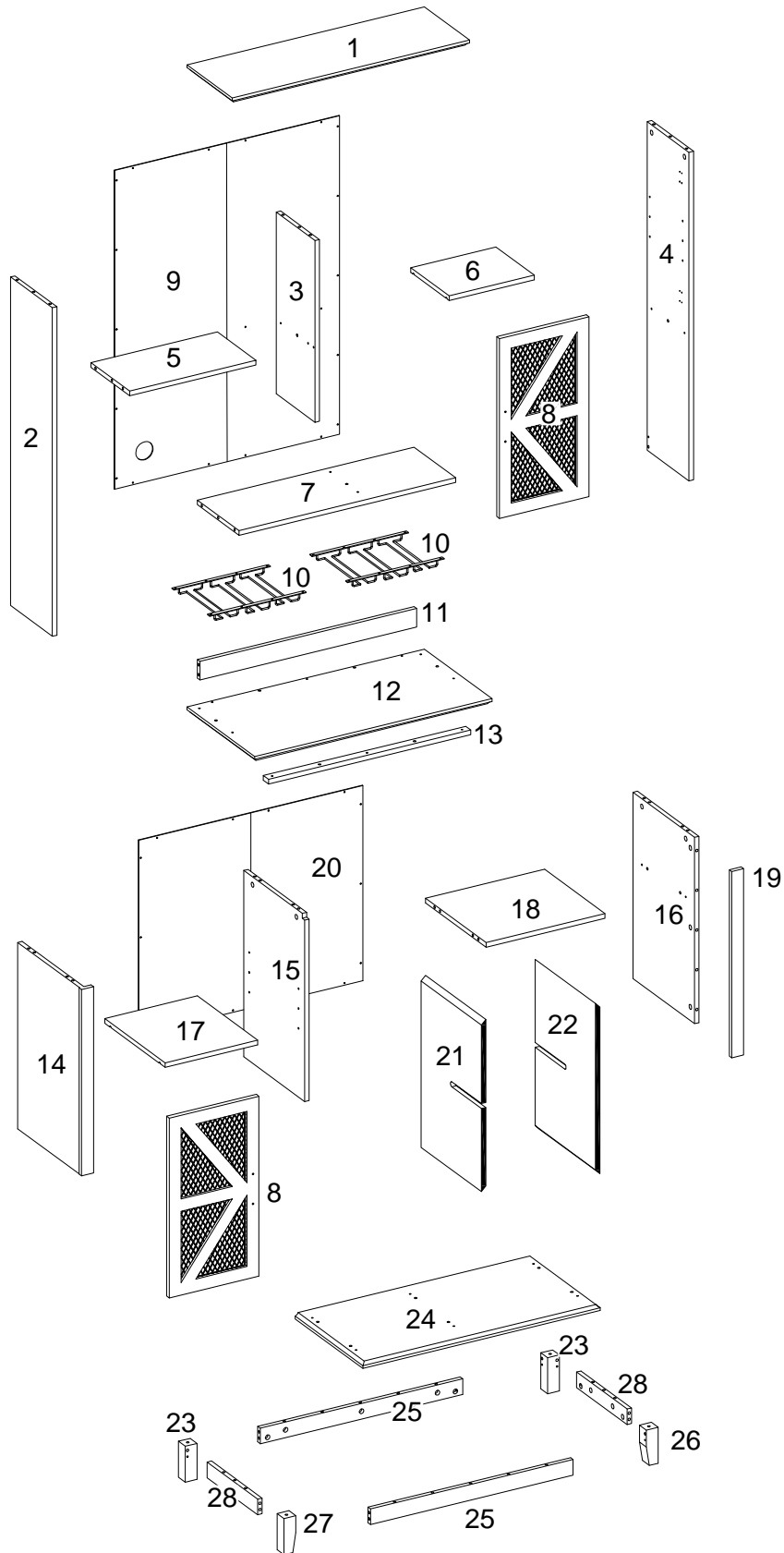



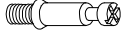

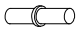

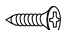
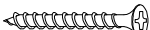
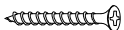

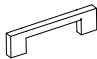

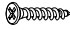


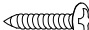



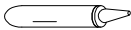
ASSEMBLY INSTRUCTION

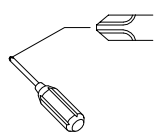


Parts List



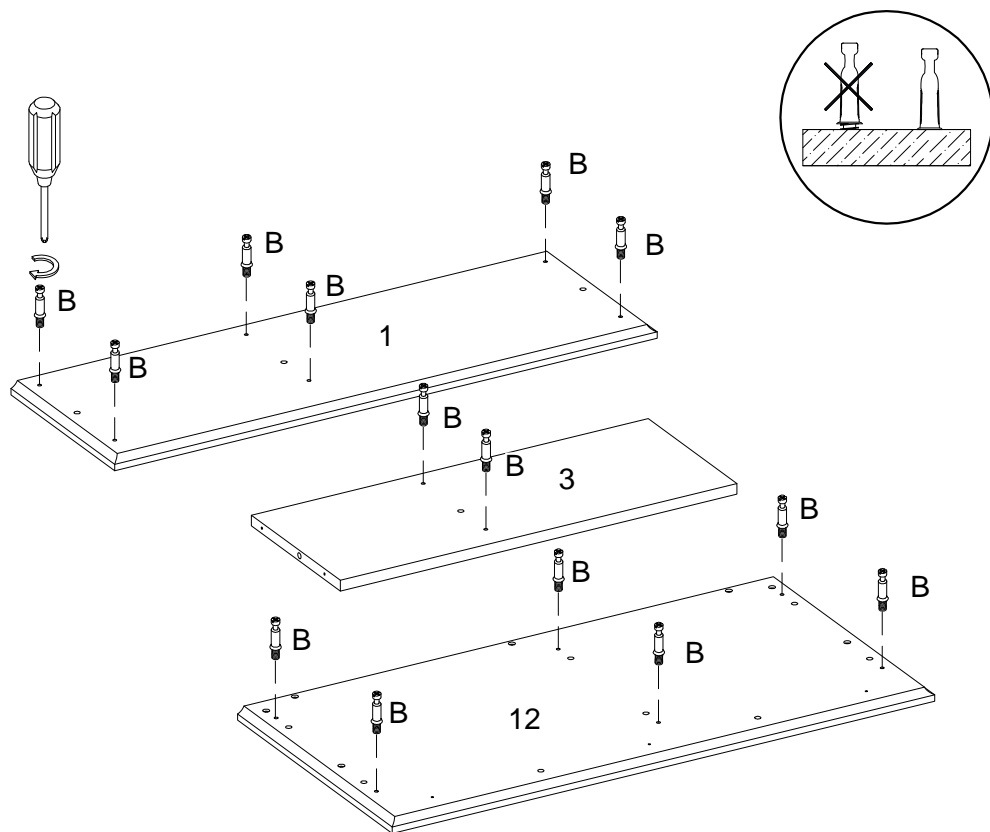
Hardware List

A		Ø8x30mm	Wooden dowel	50 pcs
B		Ø6x35mm	Cam bolt	47 pcs
C		Ø15x11mm	Cam lock	47 pcs
D		Ø5x16mm	Shelf support pin	8 pcs
E		Ø8x20mm	Wooden dowel	2 pcs
F		Ø3.5x15	Screw	16 pcs
G		Ø4x44	Screw	15 pcs
H		Ø4x25	Screw	3 pcs
I		Ø4x22	Bolt	4 pcs
J			Handle	2 pcs
K			Europe Hinge	4 pcs
L		Ø3.5x14	Screw	24 pcs
M		Ø3x15	Screw	36 pcs
N			Sticker	47 pcs
O		Ø4x12	Screw	2 pcs
P		Ø4x25	Screw	2 pcs
Q			Wall strap	2 pcs
R			Plastic socket	2 pcs
S			Glue tube	1 pcs

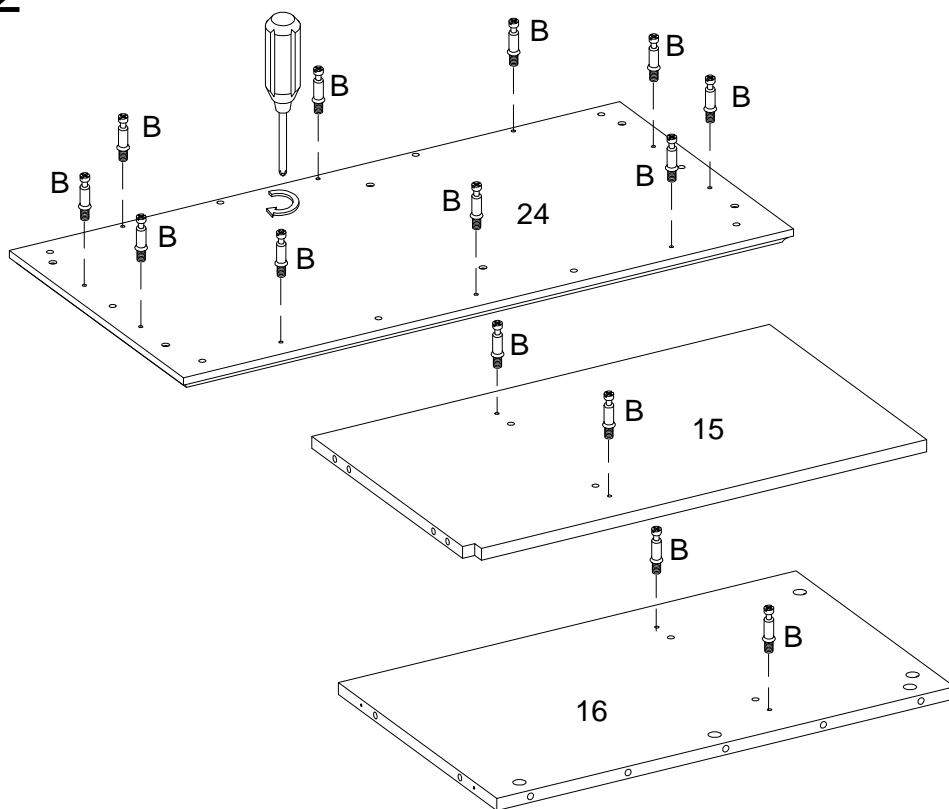


Philips head screwdriver required for assembly
(not included)

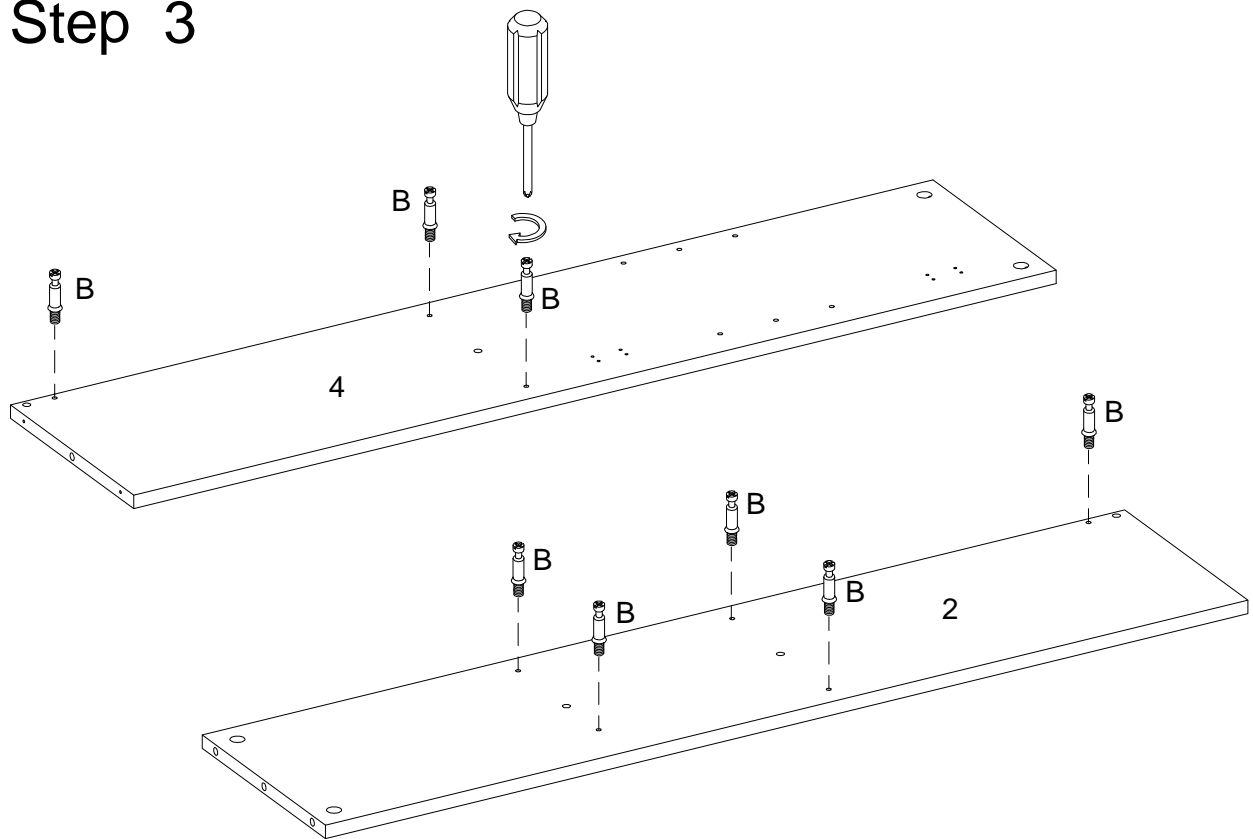
Step 1



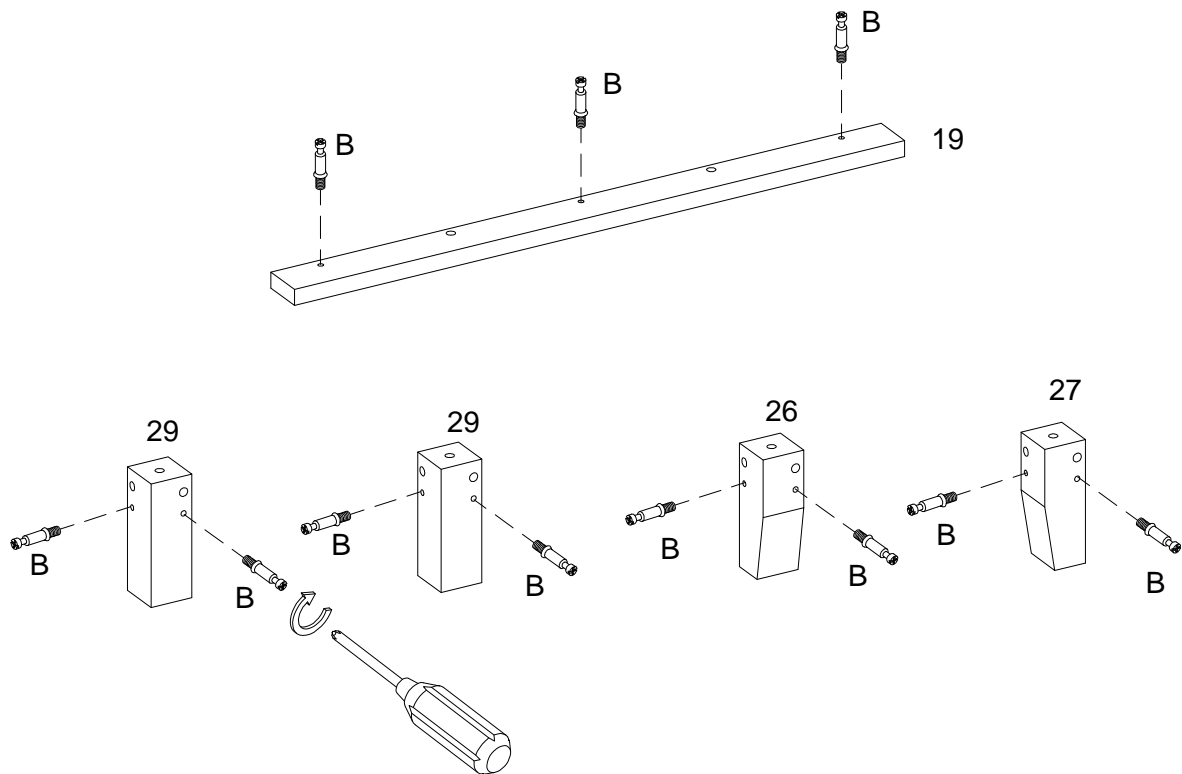
Step 2



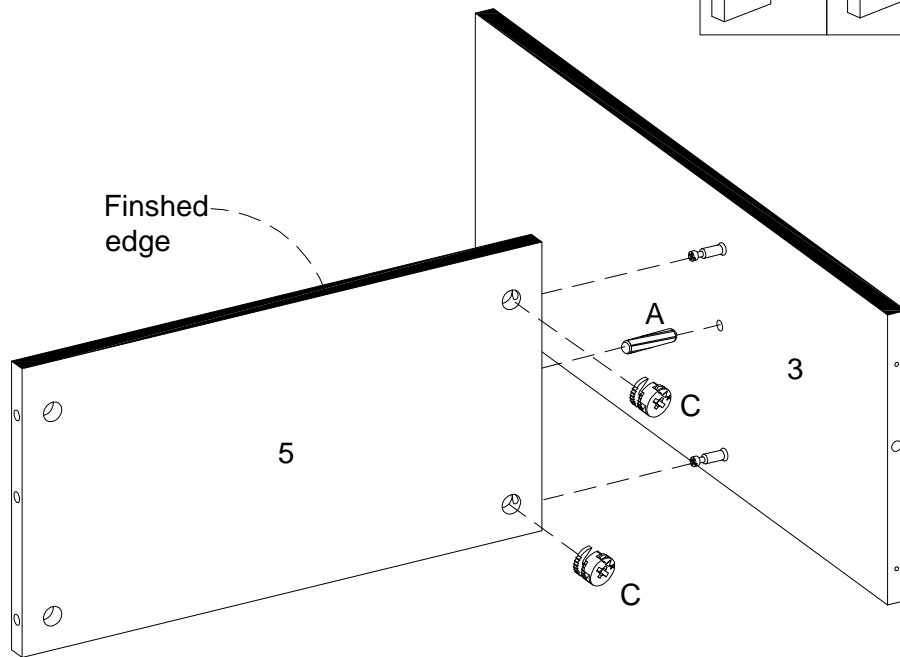
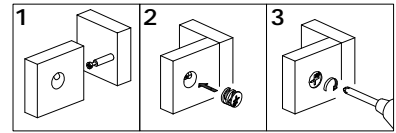
Step 3



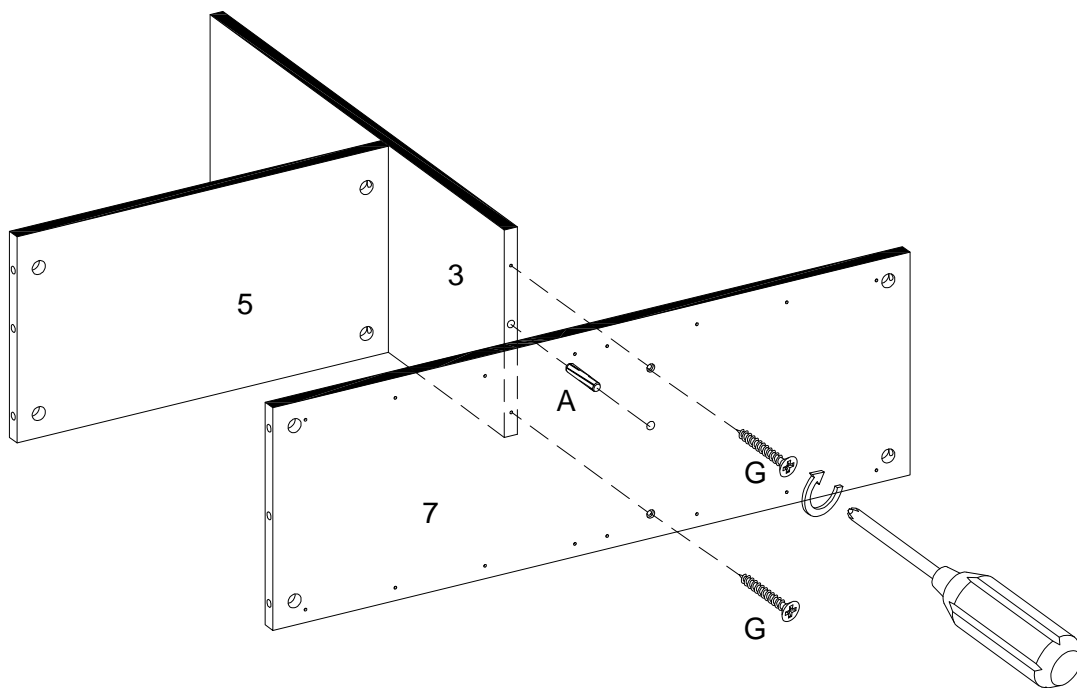
Step 4



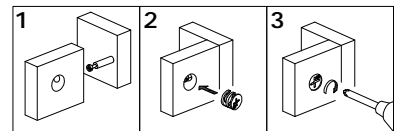
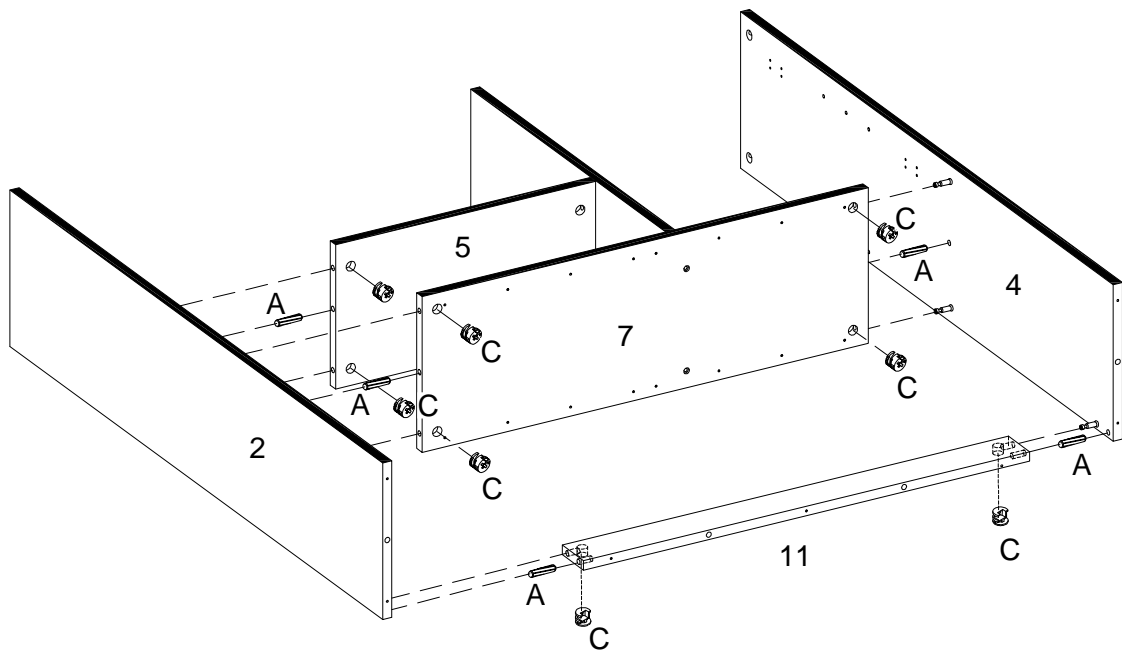
Step 5



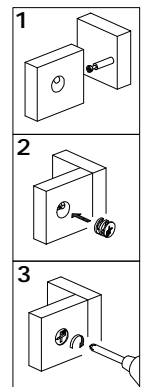
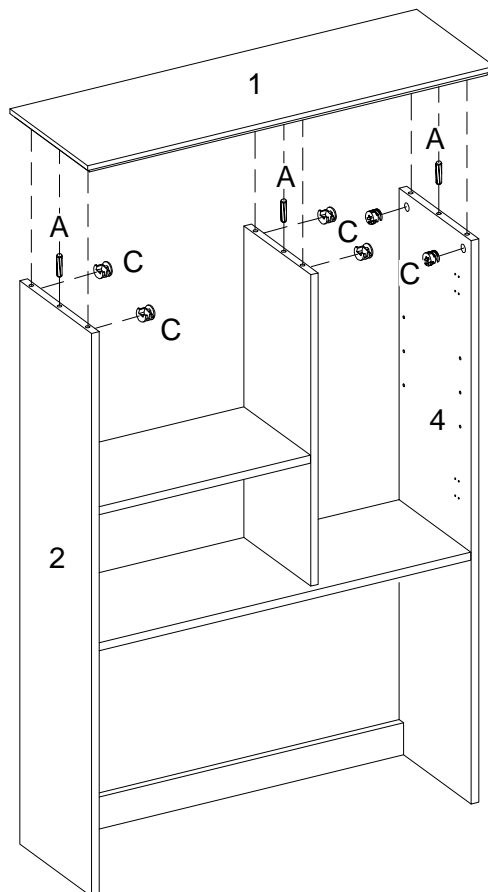
Step 6



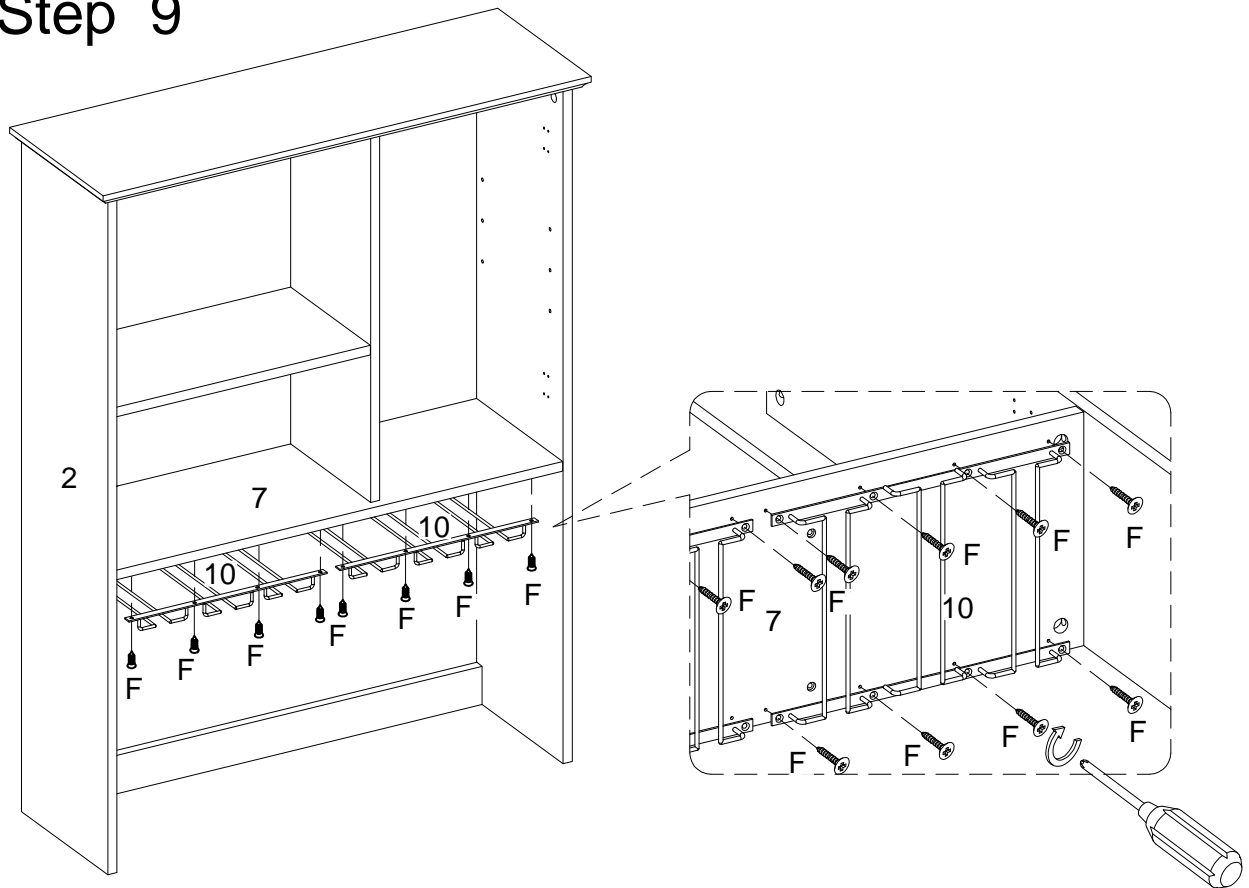
Step 7



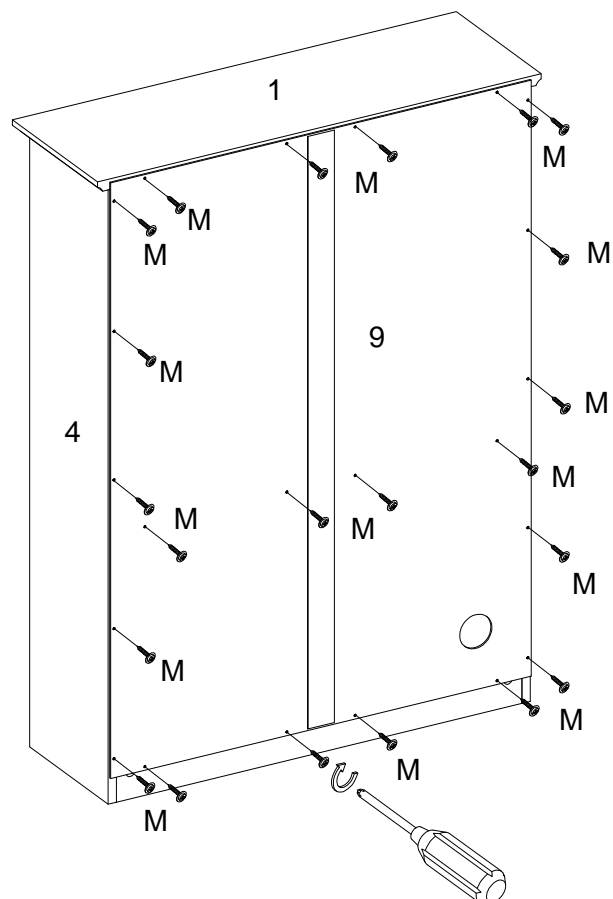
Step 8



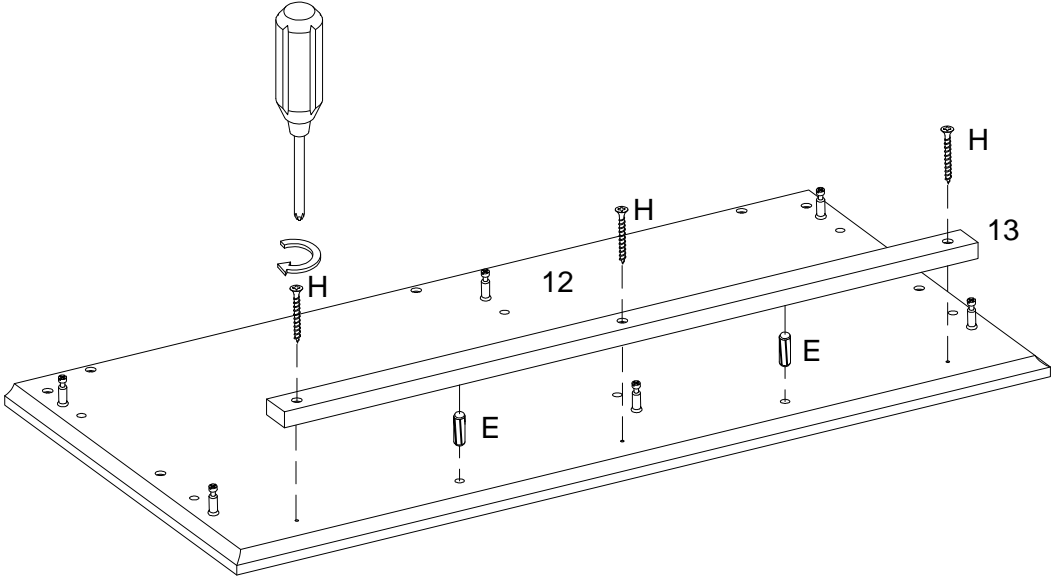
Step 9



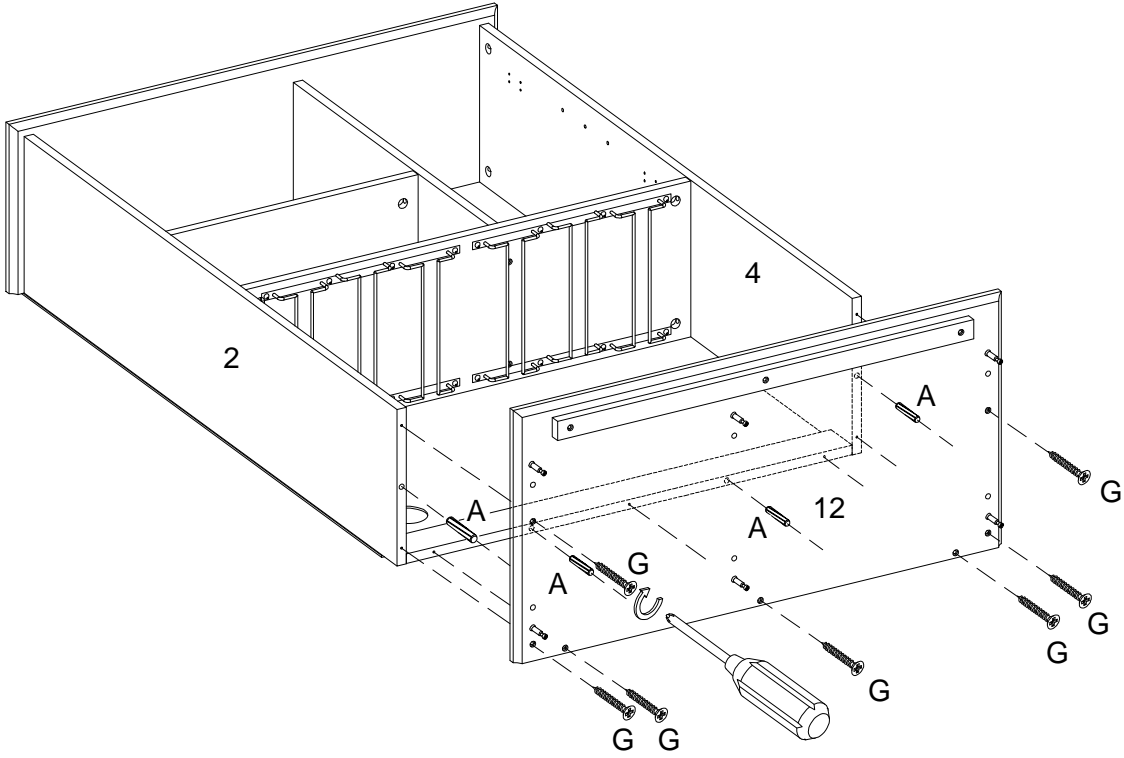
Step 10



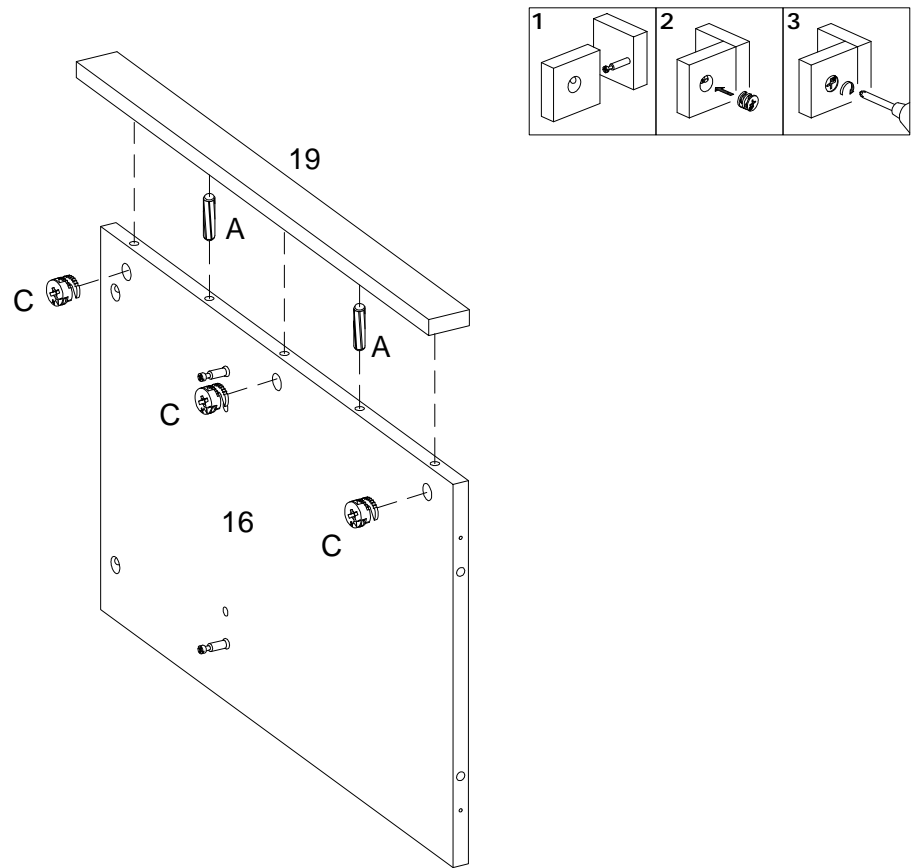
Step 11



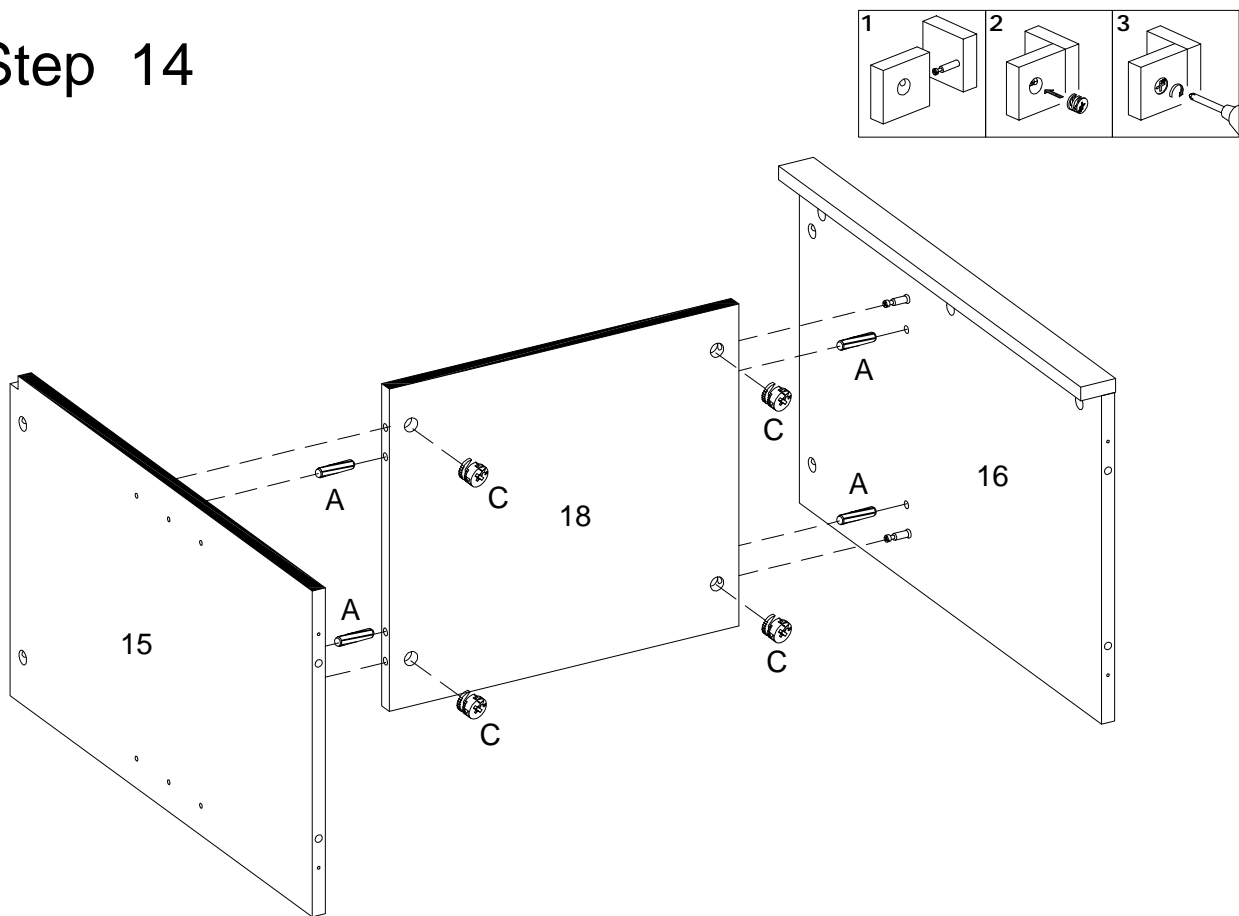
Step 12



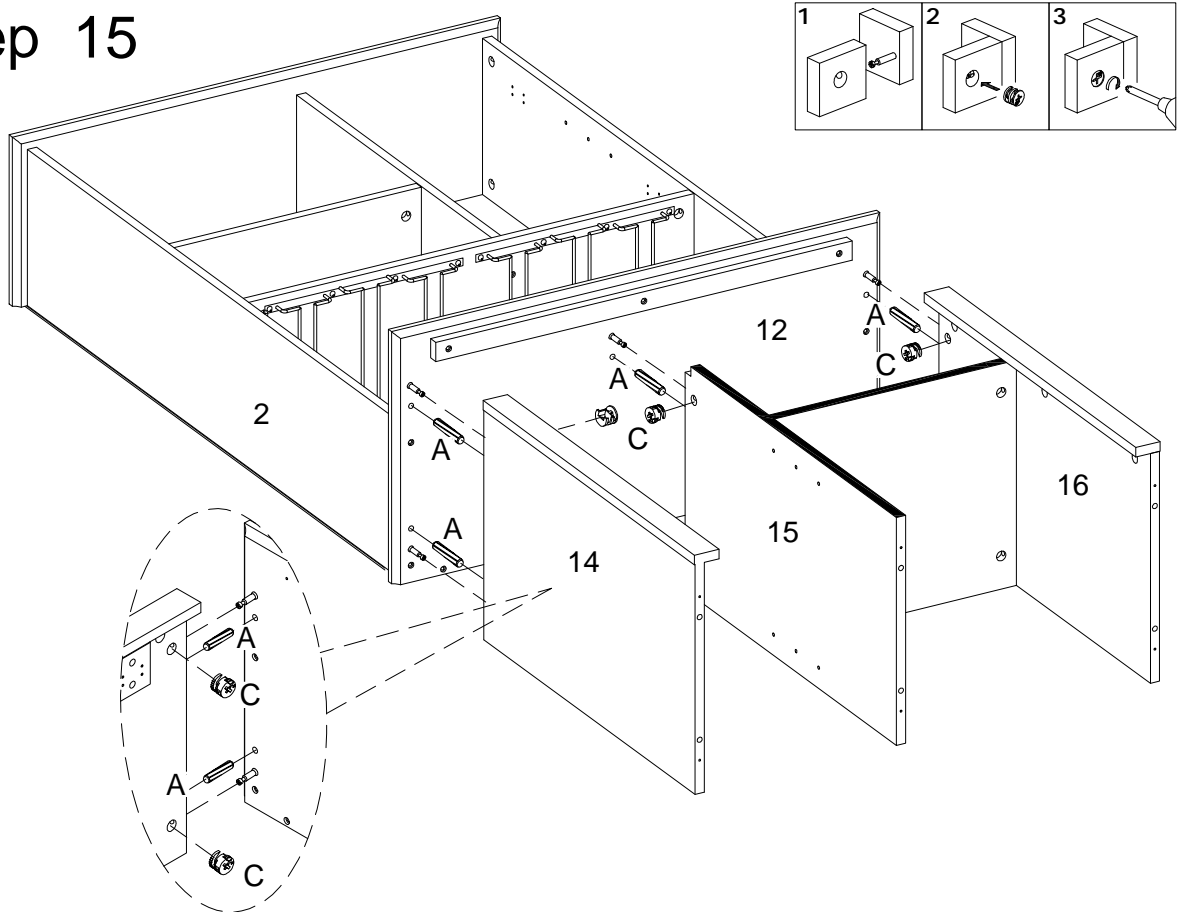
Step 13



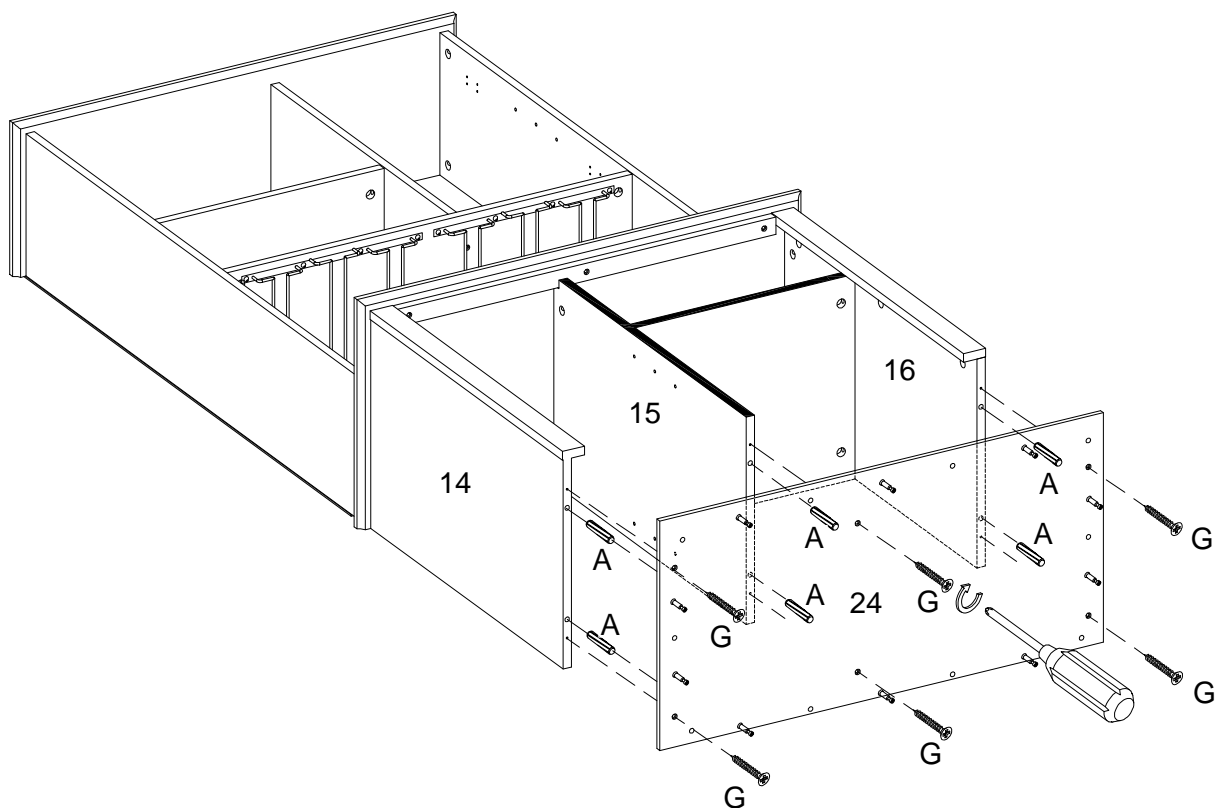
Step 14



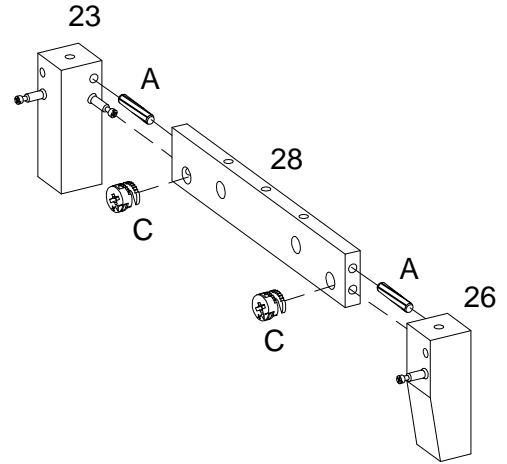
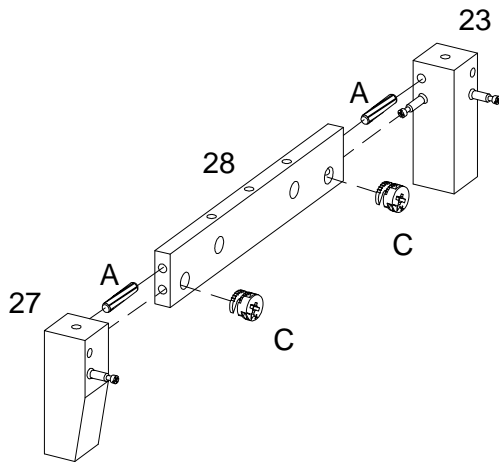
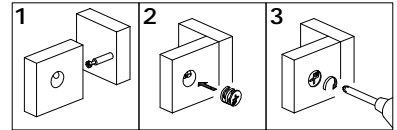
Step 15



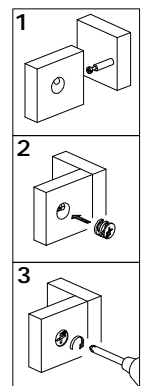
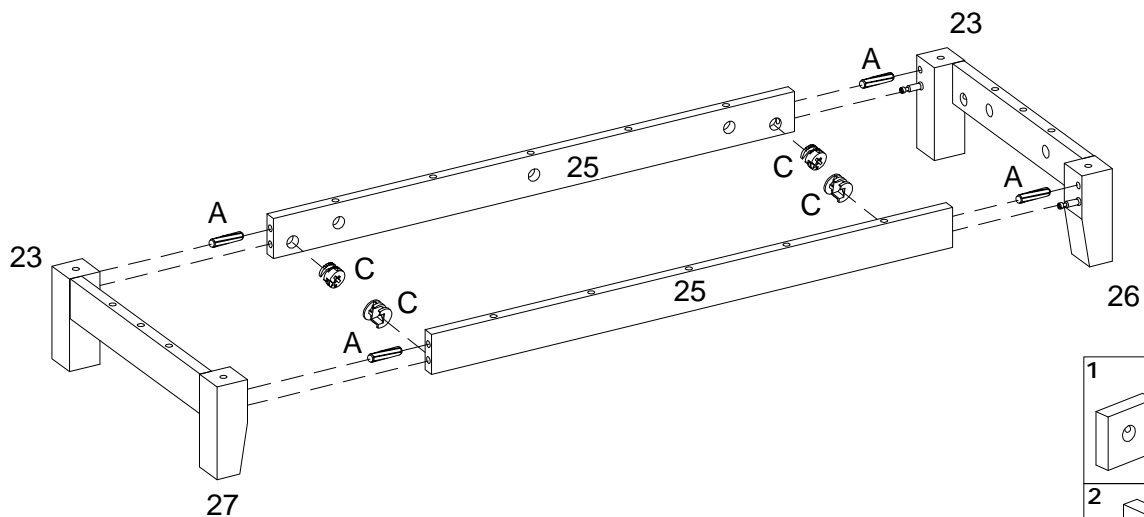
Step 16



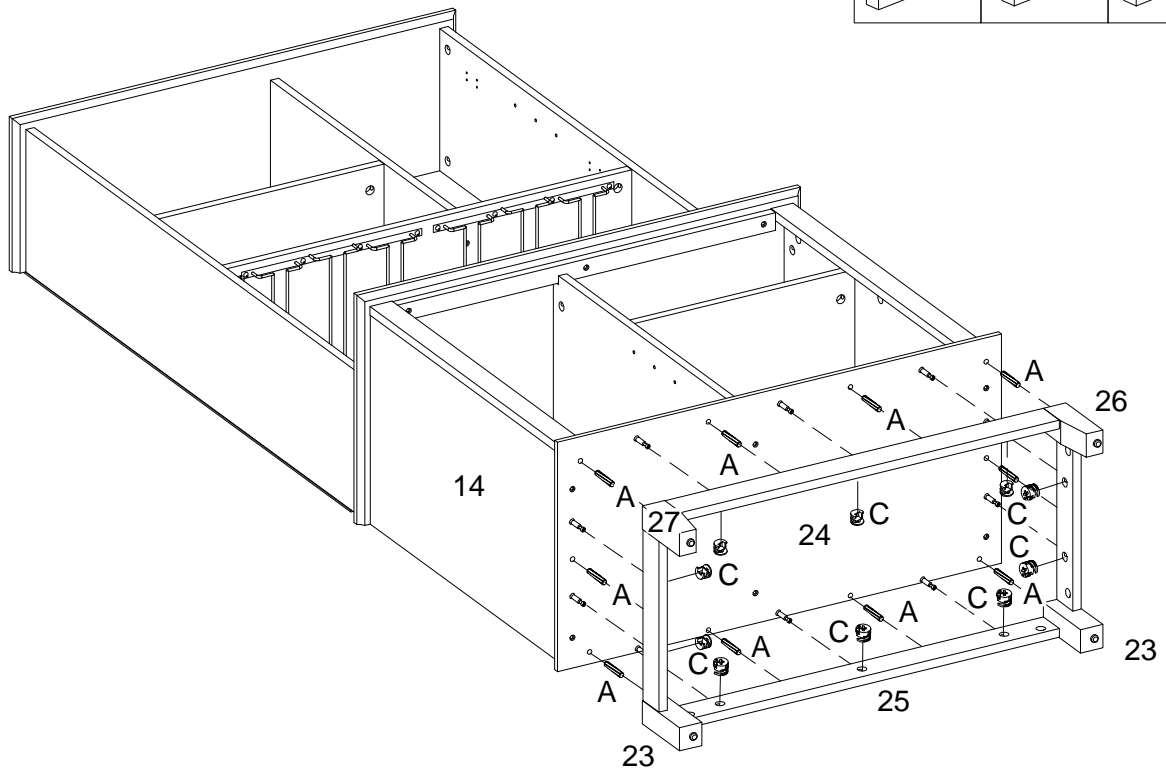
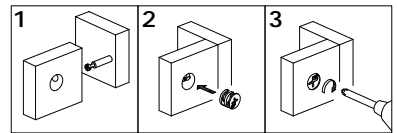
Step 17



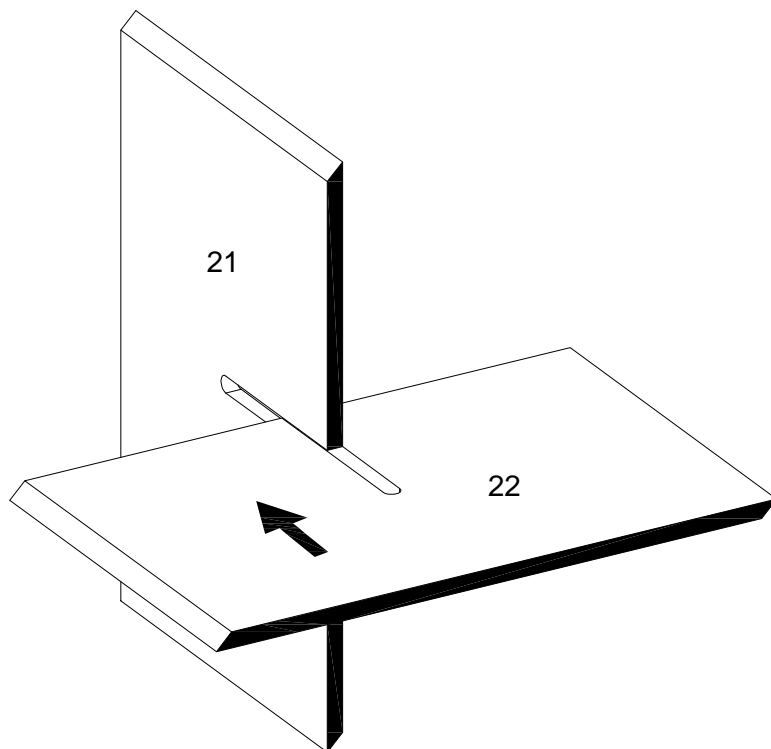
Step 18



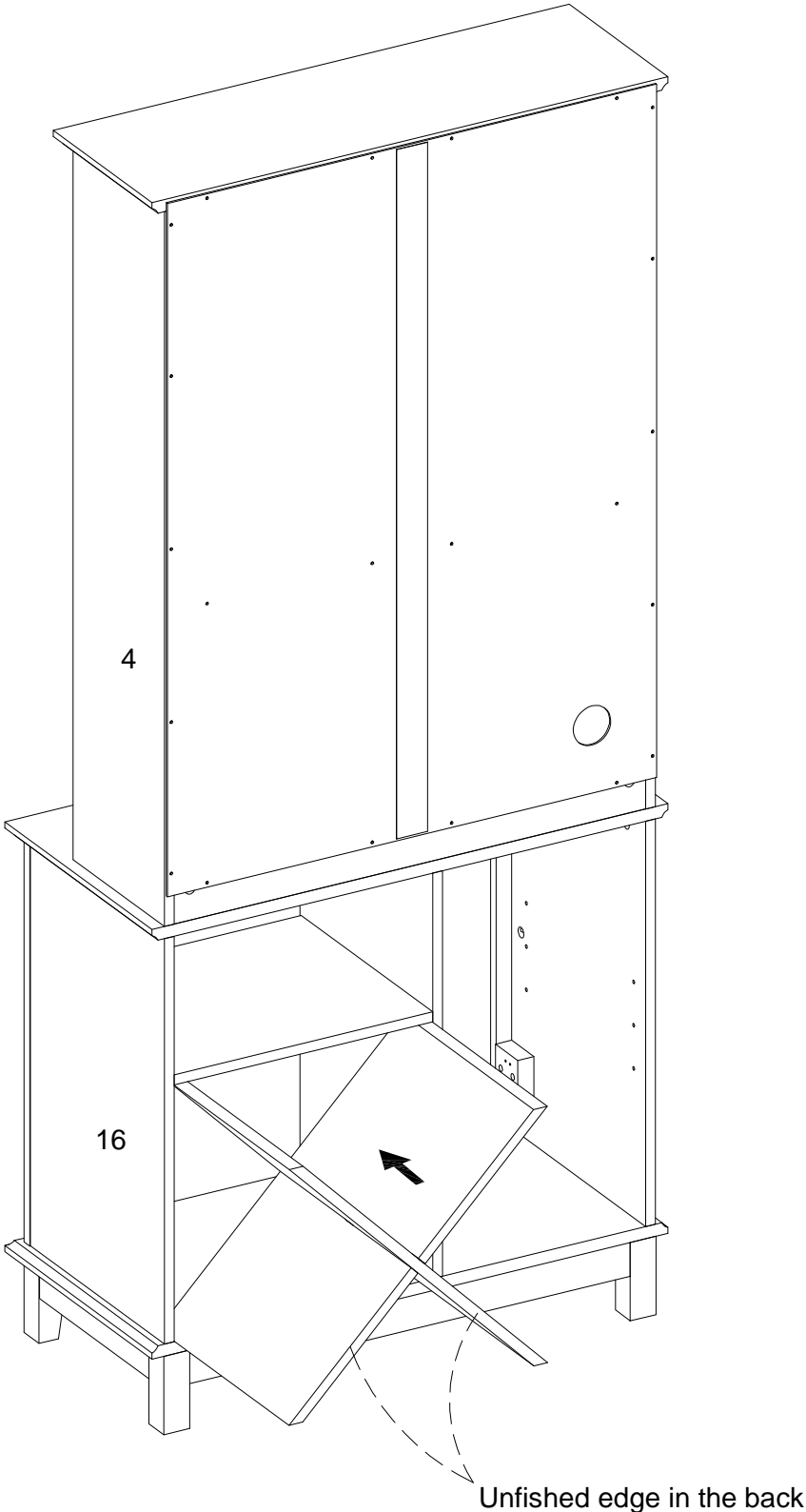
Step 19



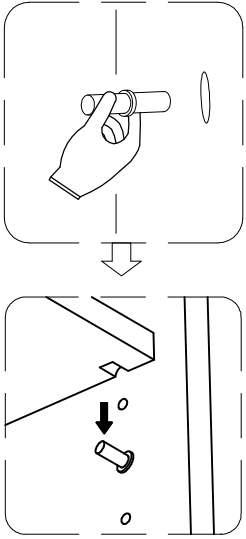
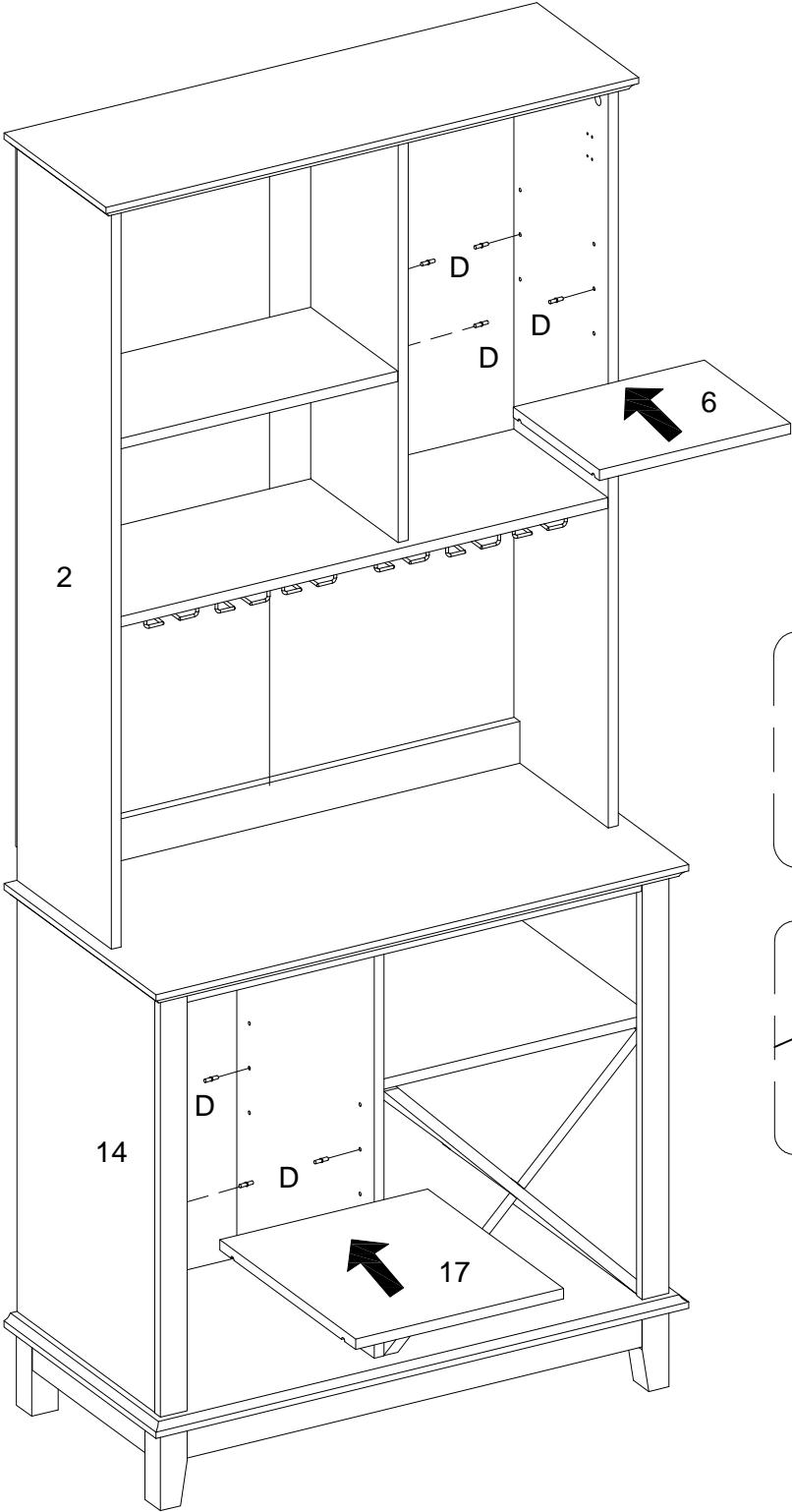
Step 20



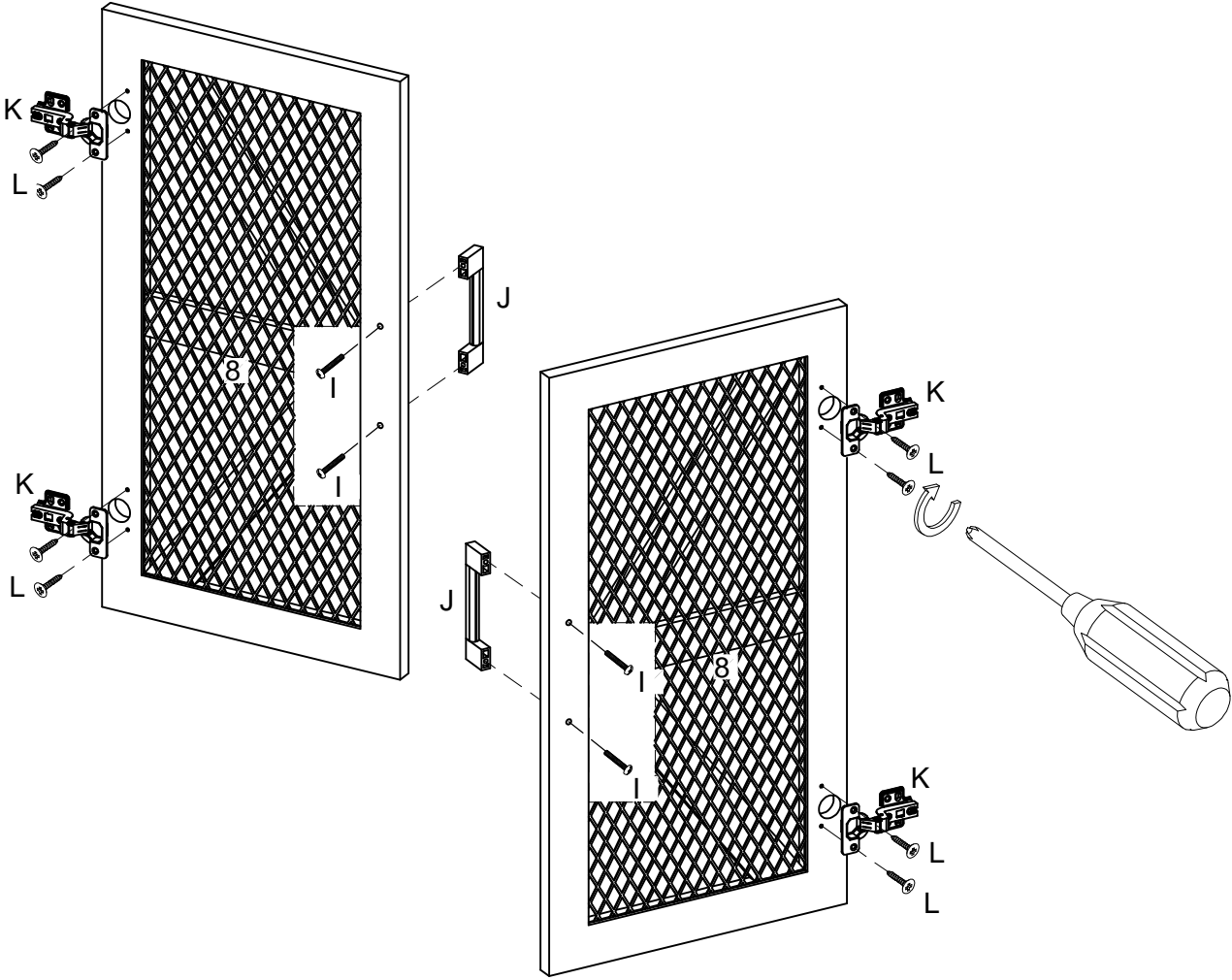
Step 21



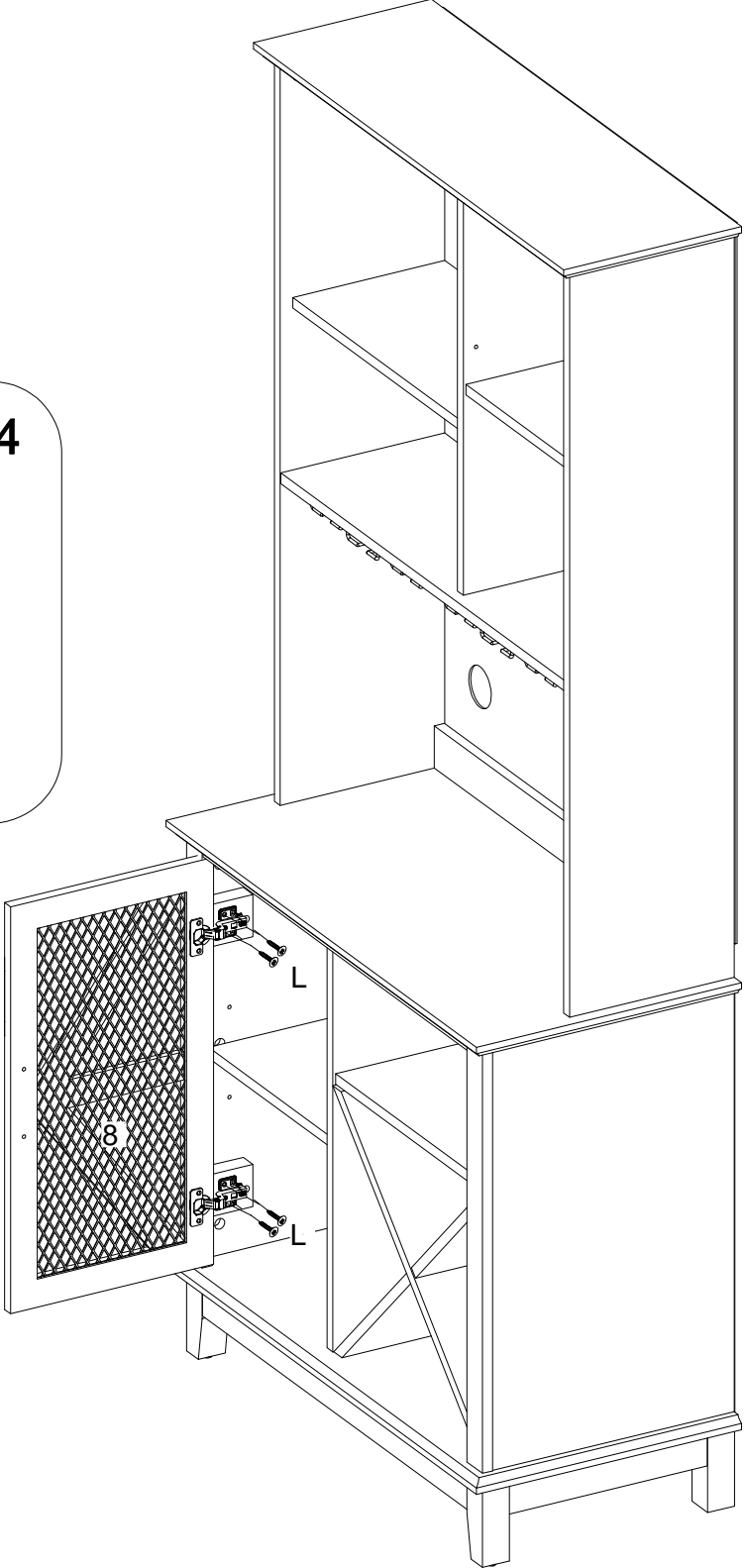
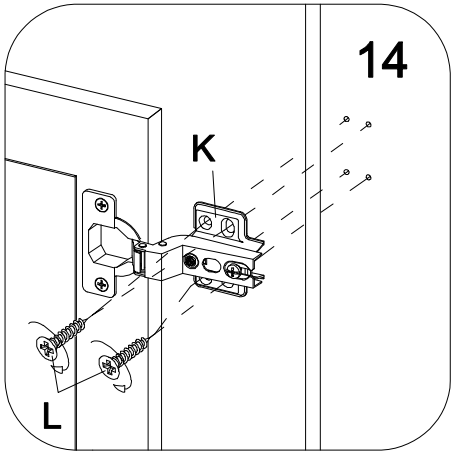
Step 23



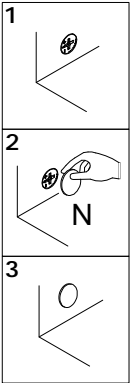
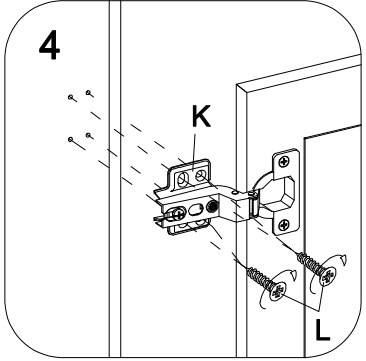
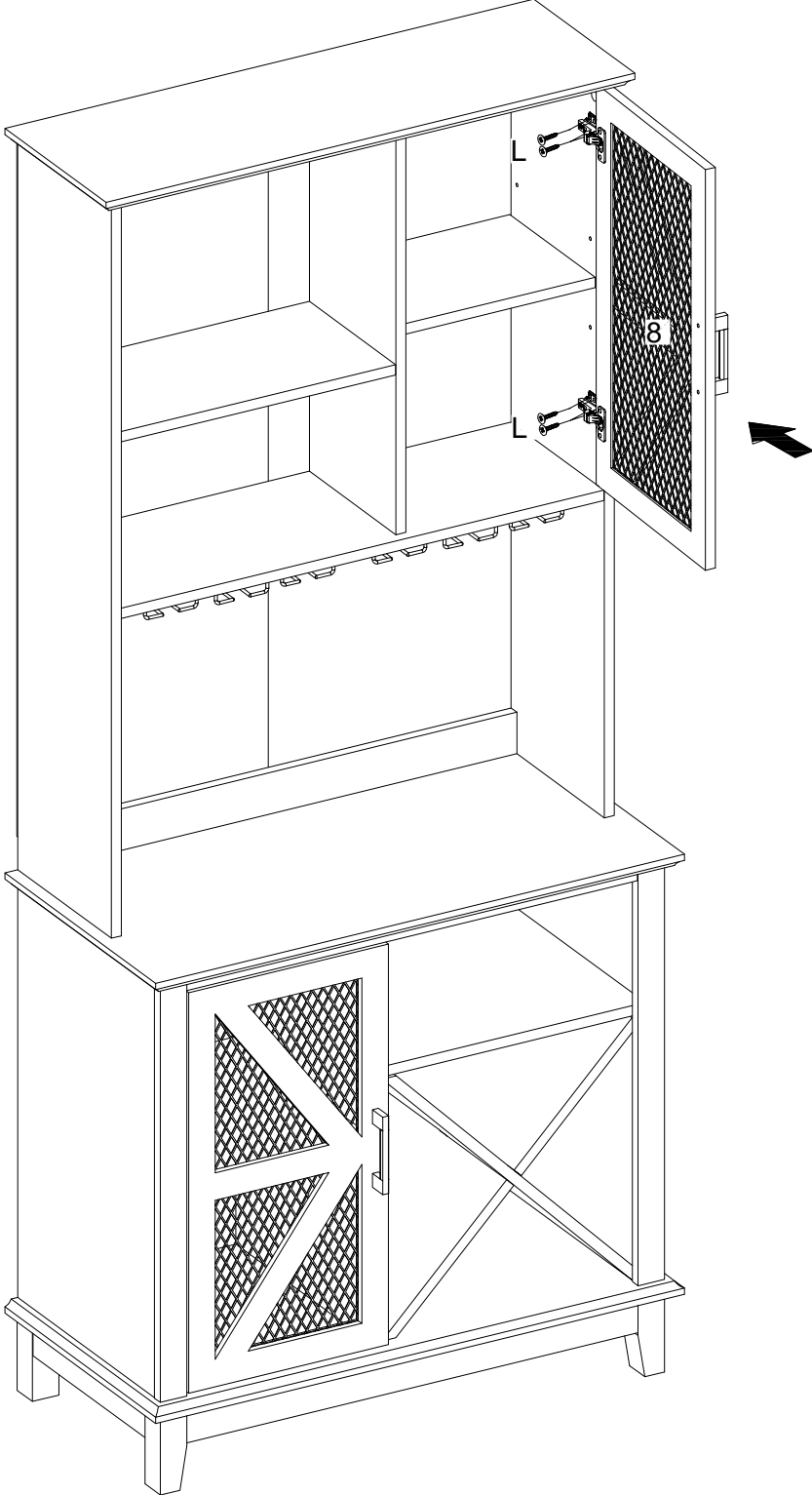
Step 24



Step 25

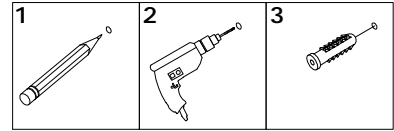


Step 26



Step 27

WARNING



Serious or fatal injuries can occur from furniture tipping over. To prevent the furniture from tipping over we recommend that it is permanently fixed to the wall. Wall anchor and hardware are included with this product. Please make sure hardware is suitable for your walls before installing, as different wall materials may require different types of anchors.

