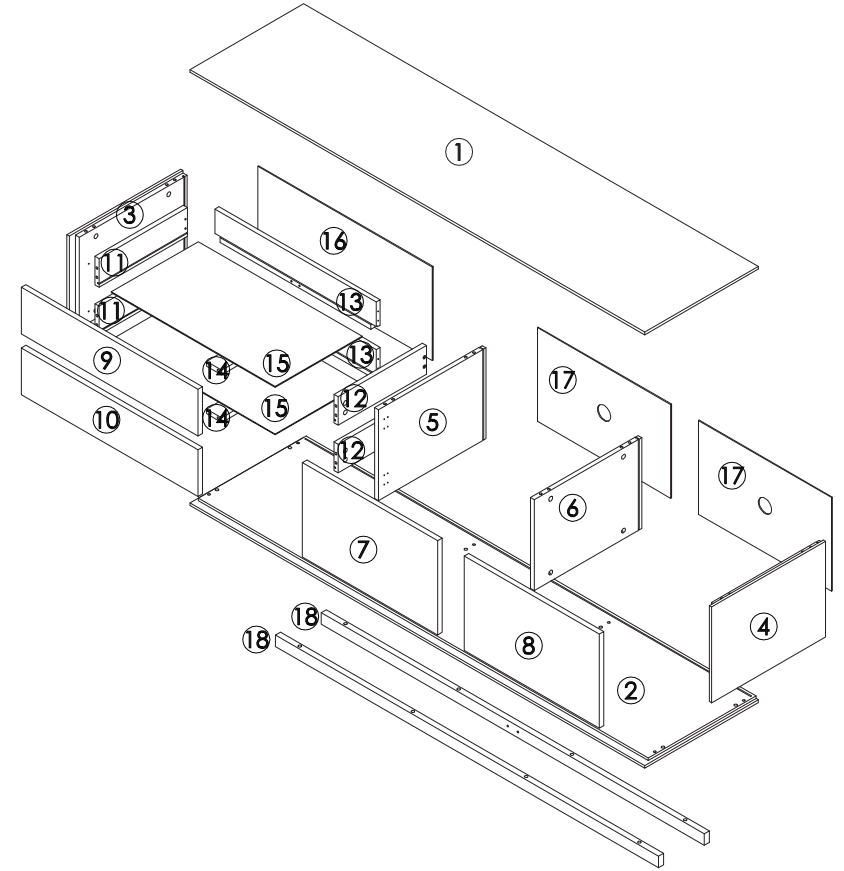
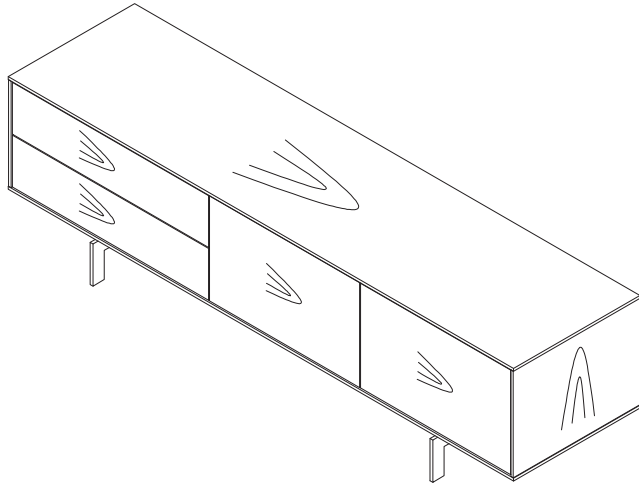
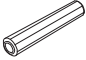


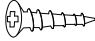



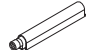



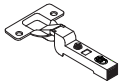


Assembly Instructions

BIRMINGHAM-71 MEDIA STAND

PLEASE NOTE: Check that you have received all components and hardware before assembling. If you are missing any parts, contact your retailer.



- | | | | | |
|---|---|---|---|--|
| 
A (16 pcs)
8x35mm | 
B (28 pcs)
15x12mm | 
C (28 pcs)
7x35mm | 
D (2 pcs)
3x12mm | 
E (6 pcs)
3x18mm |
| 
F (6 pcs)
3.5x12mm | 
G (40 pcs)
4x15mm | 
H (12 pcs)
3.5x35mm | 
I (1 pc)
4x21x57mm | 
J (12 pcs)
6x20mm |
| 
K (8 pcs)
6x55mm | 
L (20 pcs)
6x10x2mm | 
M (20 pcs)
6x14x2mm | 
N (2 pcs) | 
O (2 pcs) |
| 
P (2 pcs) | 
Q (16 pcs)
20mm | 
R (4 pcs)
6x10x15mm | 
S (2 pcs)
20mm | 
T (2 pcs)
120x25x25mm |
| | | | 
U (6 pcs) | 
V (2 pcs)
147x40x400mm |
| | | | | 
W (1 pc)
306x145x60mm |
| | | | | 
X (2 pcs)
446x130x50mm |

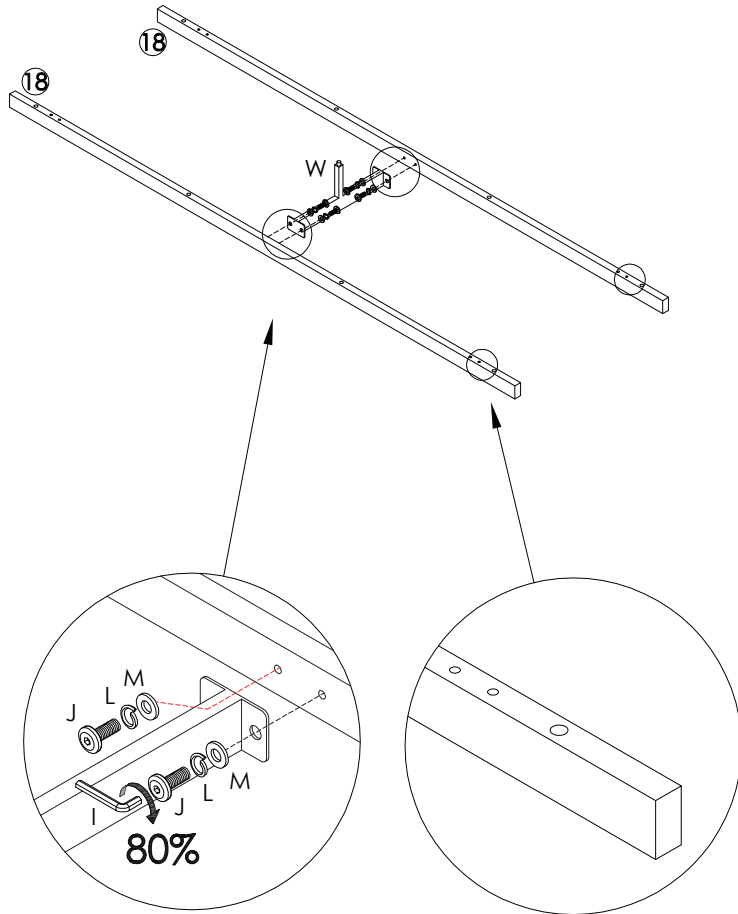
During assembly, hand tighten screws only. When the screws are in place, tighten completely.

Assembly Instructions

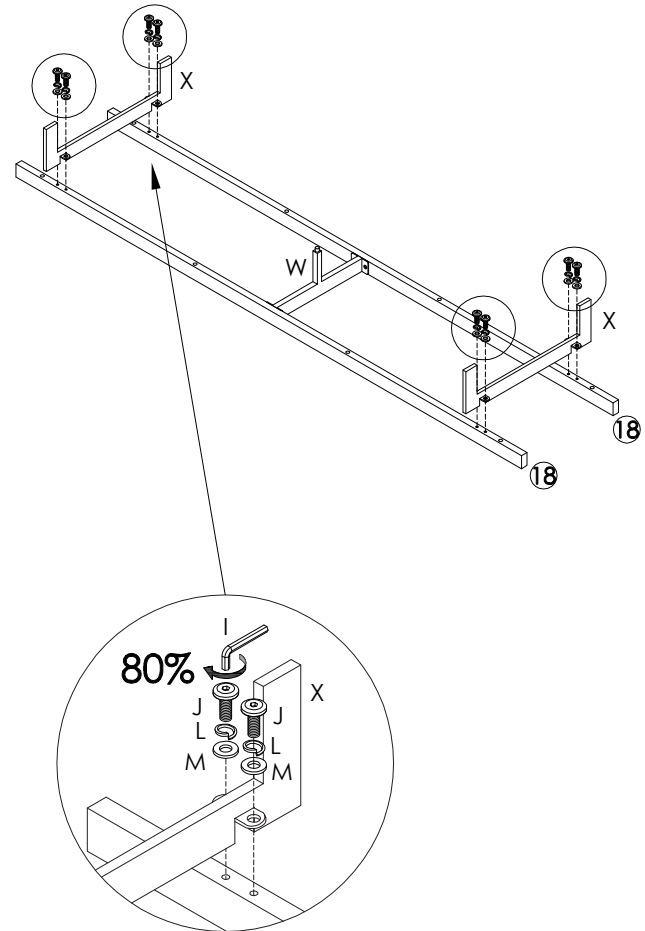
BIRMINGHAM-71 MEDIA STAND

PLEASE NOTE: Check that you have received all components and hardware before assembling. If you are missing any parts, contact your retailer.

1



2

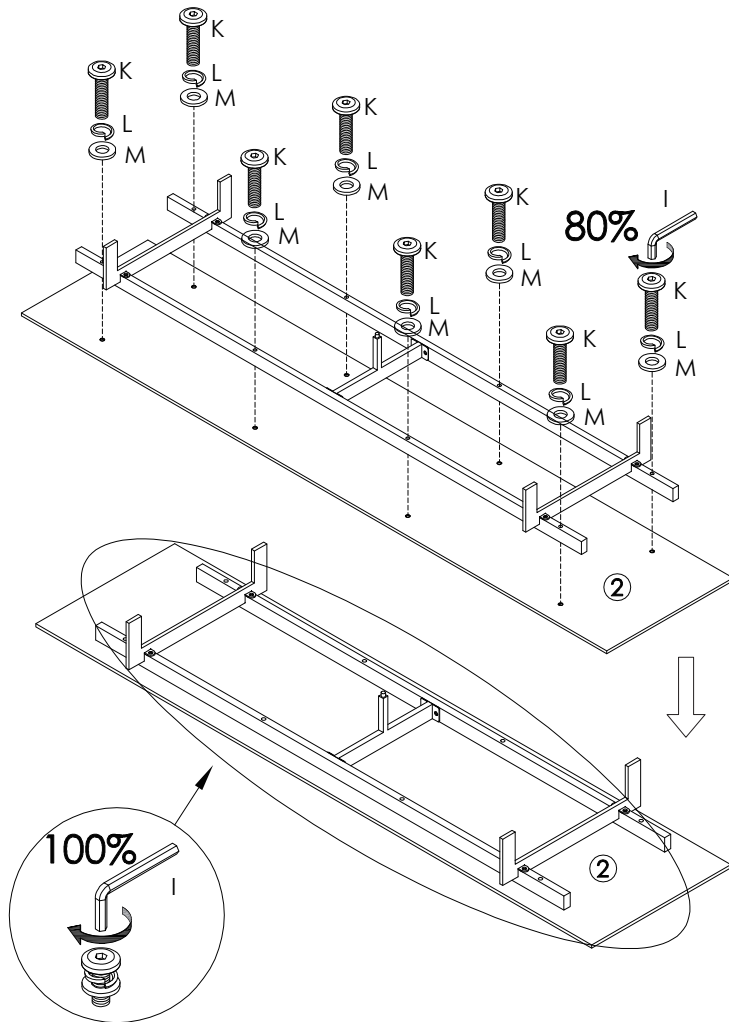


During assembly, hand tighten screws only. When the screws are in place, tighten completely.

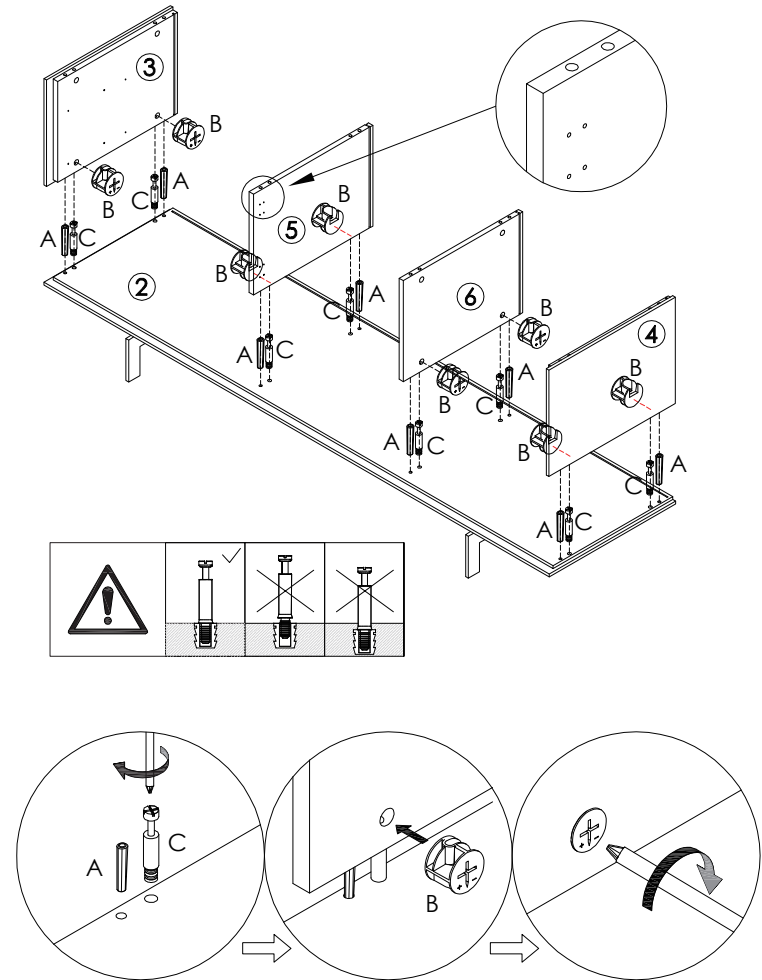
Assembly Instructions

BIRMINGHAM-71 MEDIA STAND

3



4



PLEASE NOTE: Check that you have received all components and hardware before assembling. If you are missing any parts, contact your retailer.

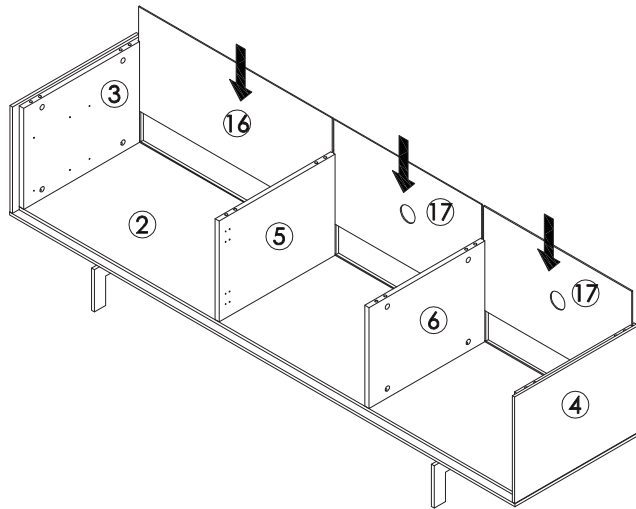
During assembly, hand tighten screws only. When the screws are in place, tighten completely.

Assembly Instructions

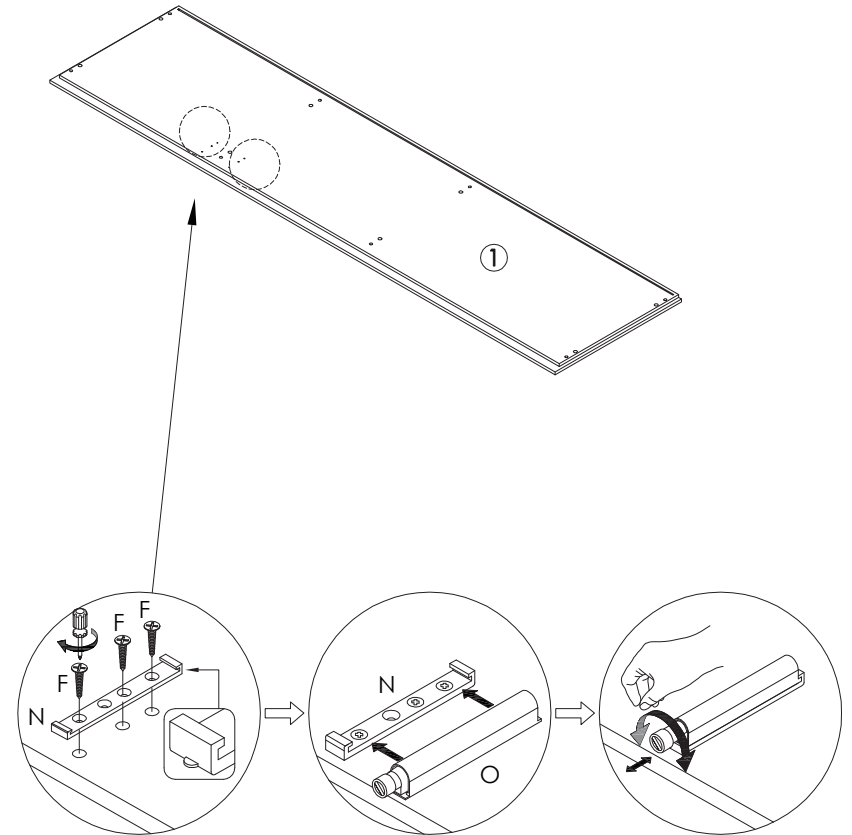
BIRMINGHAM-71 MEDIA STAND

PLEASE NOTE: Check that you have received all components and hardware before assembling. If you are missing any parts, contact your retailer.

5



6



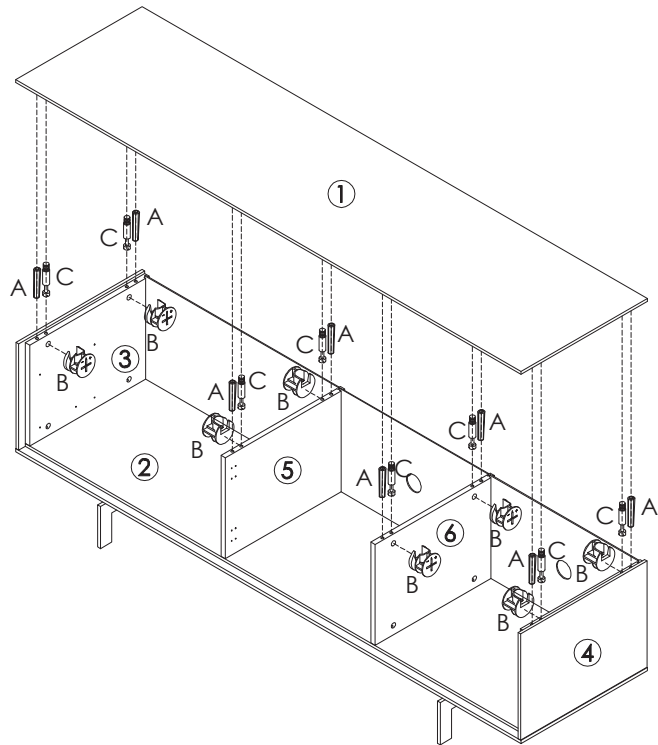
During assembly, hand tighten screws only. When the screws are in place, tighten completely.

Assembly Instructions

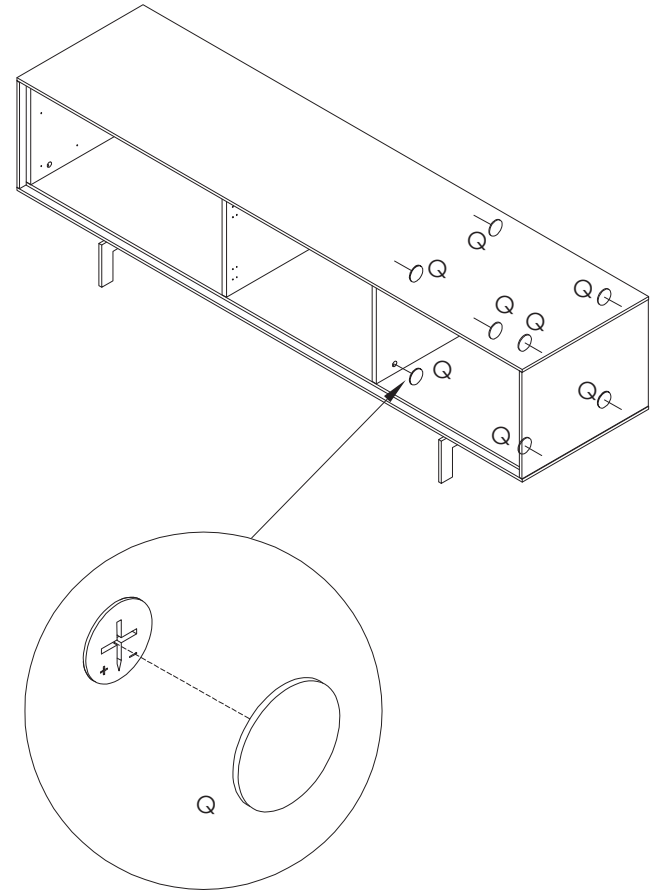
BIRMINGHAM-71 MEDIA STAND

PLEASE NOTE: Check that you have received all components and hardware before assembling. If you are missing any parts, contact your retailer.

7



8



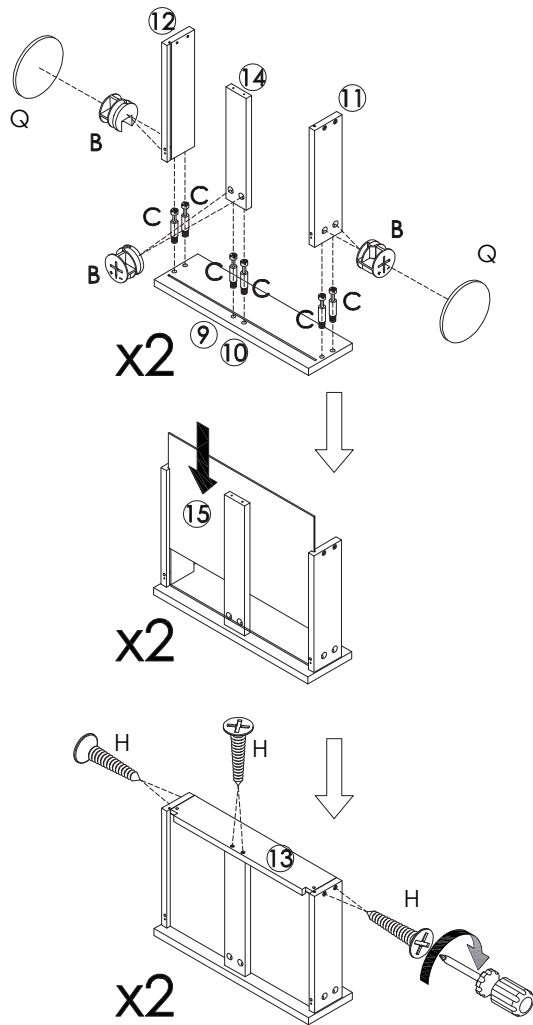
During assembly, hand tighten screws only. When the screws are in place, tighten completely.

Assembly Instructions

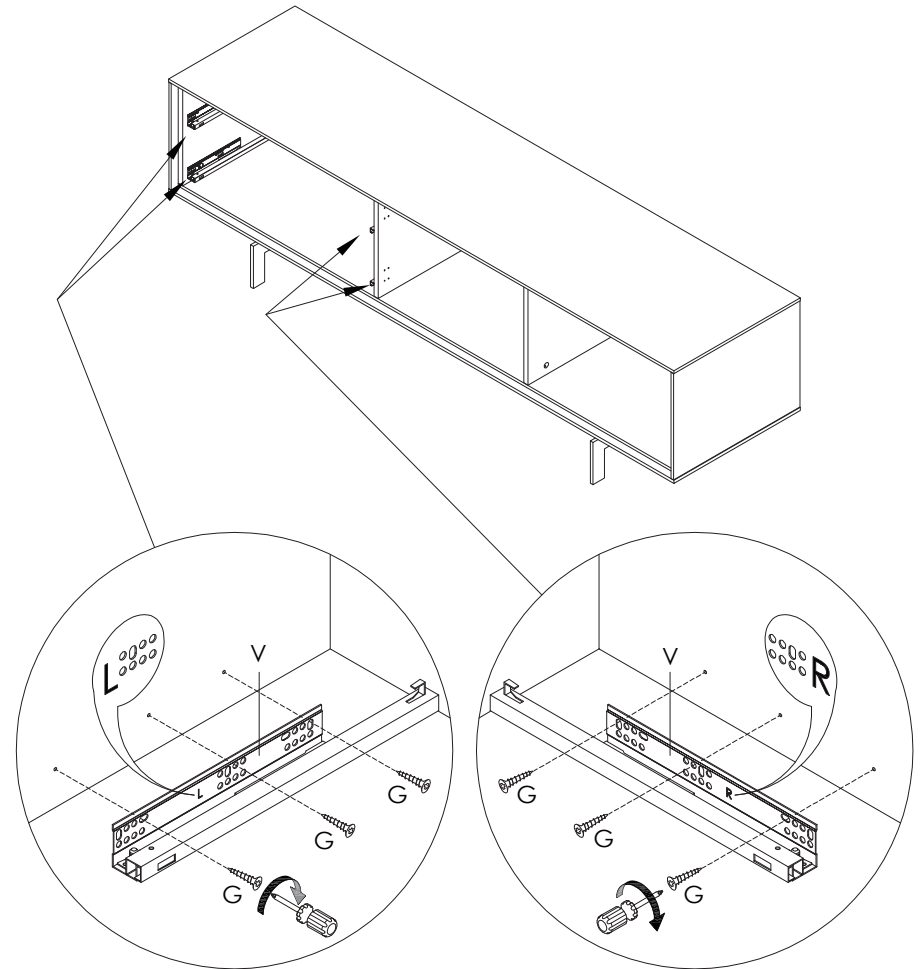
BIRMINGHAM-71 MEDIA STAND

PLEASE NOTE: Check that you have received all components and hardware before assembling. If you are missing any parts, contact your retailer.

9



10



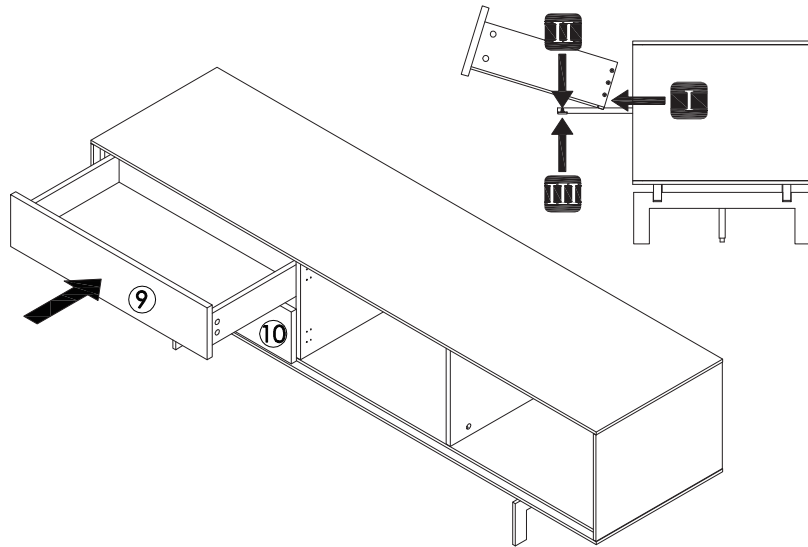
During assembly, hand tighten screws only. When the screws are in place, tighten completely.

Assembly Instructions

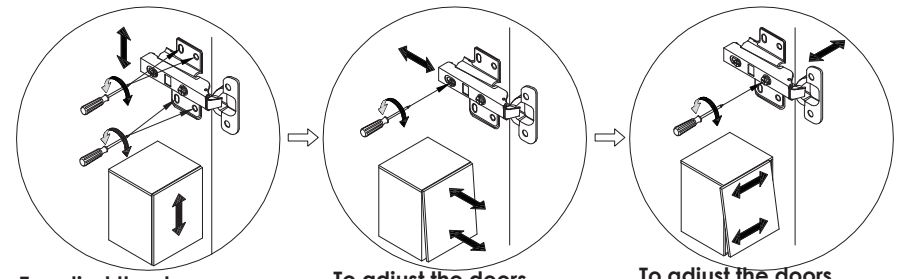
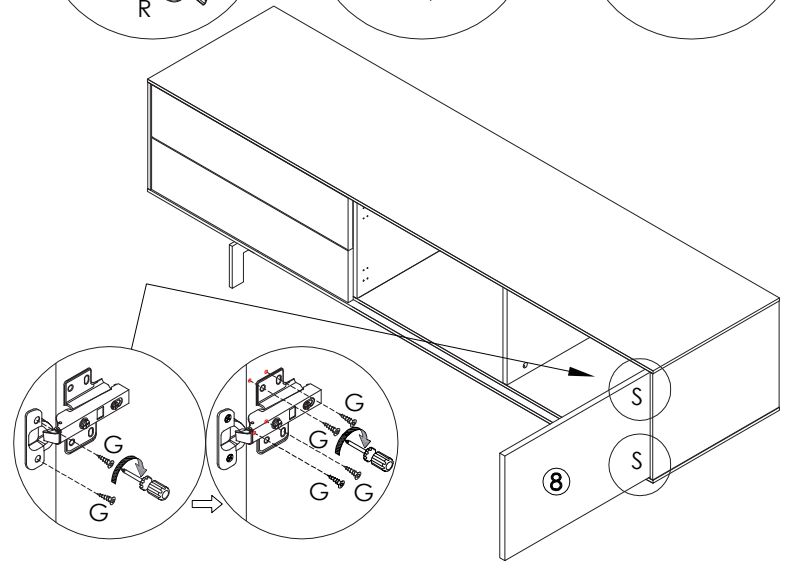
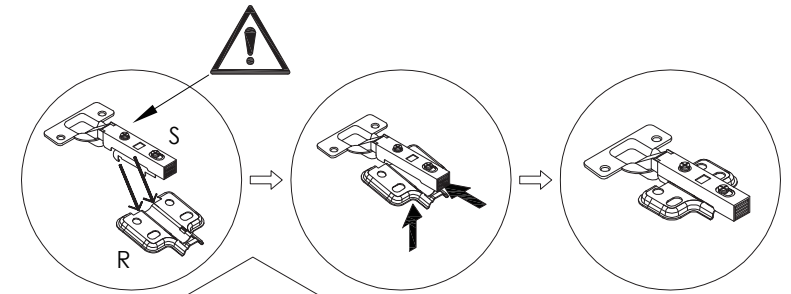
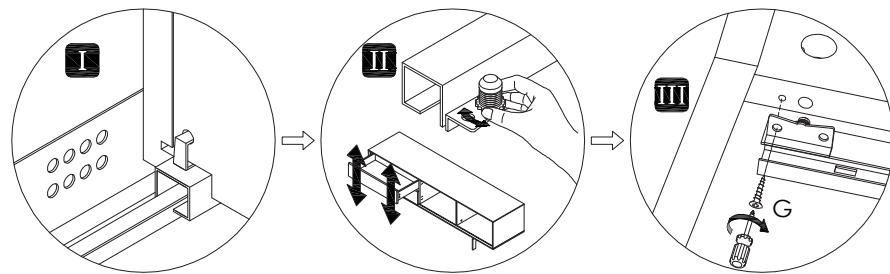
BIRMINGHAM-71 MEDIA STAND

PLEASE NOTE: Check that you have received all components and hardware before assembling. If you are missing any parts, contact your retailer.

11



12



To adjust the doors up and down.

To adjust the doors in and out.

To adjust the doors side to side.

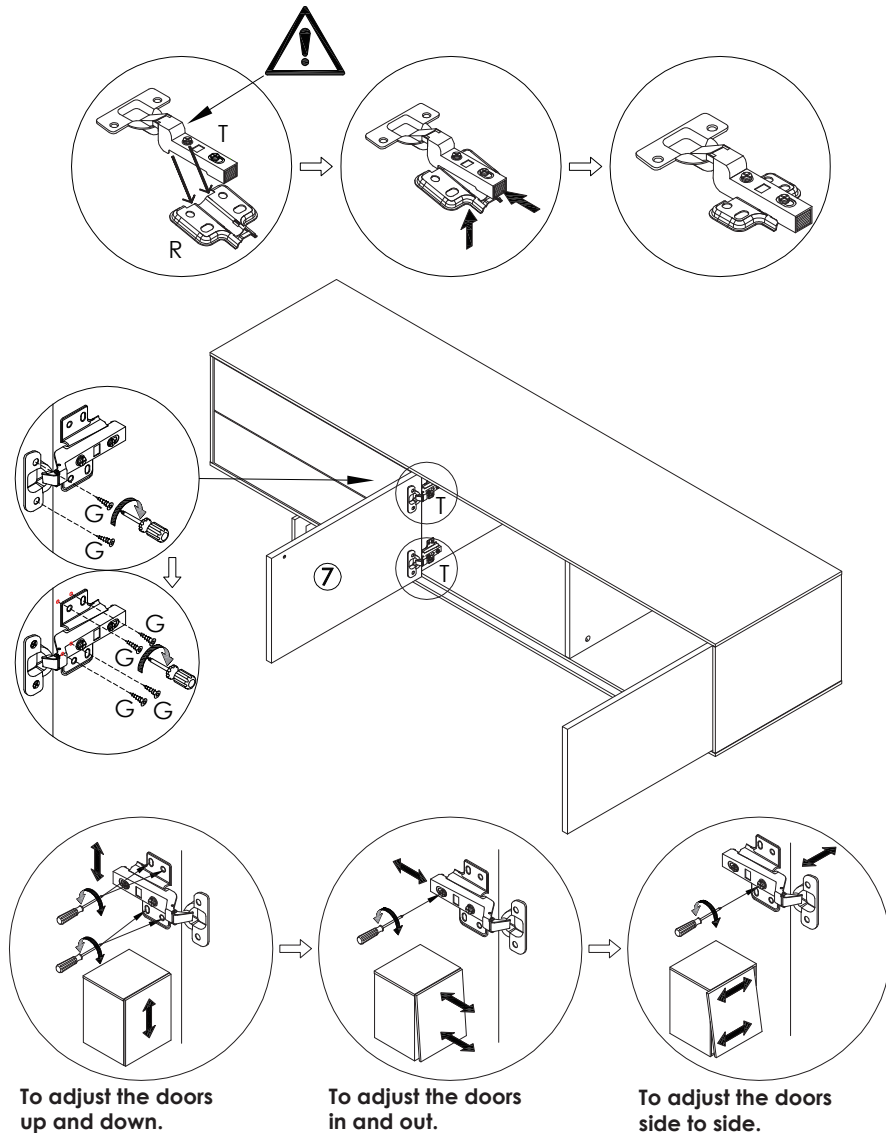
During assembly, hand tighten screws only. When the screws are in place, tighten completely.

Assembly Instructions

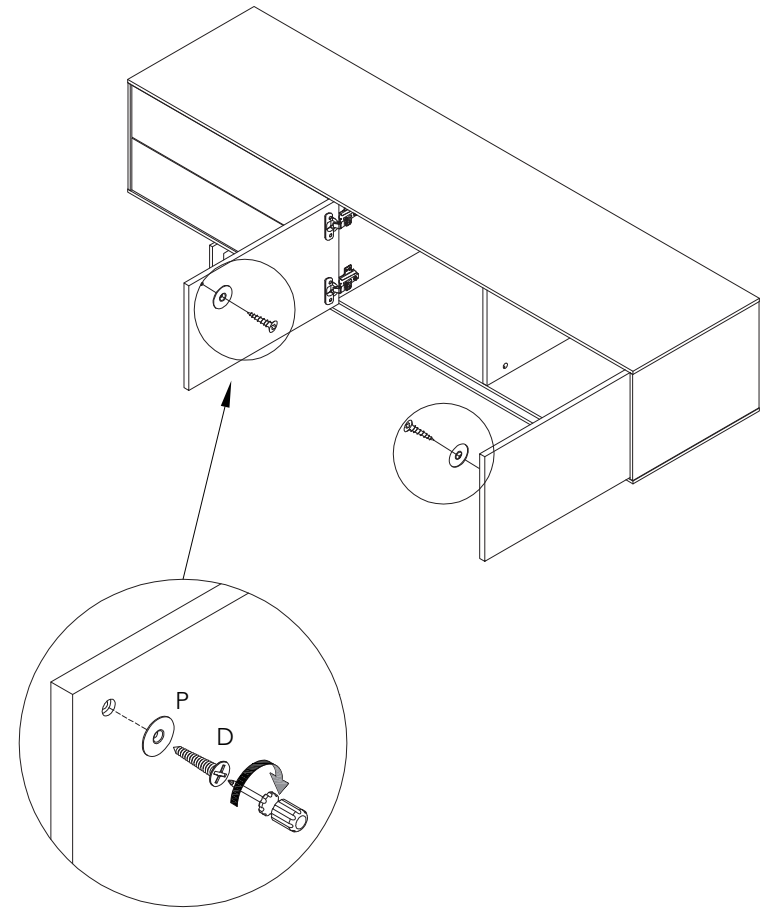
BIRMINGHAM-71 MEDIA STAND

PLEASE NOTE: Check that you have received all components and hardware before assembling. If you are missing any parts, contact your retailer.

13



14



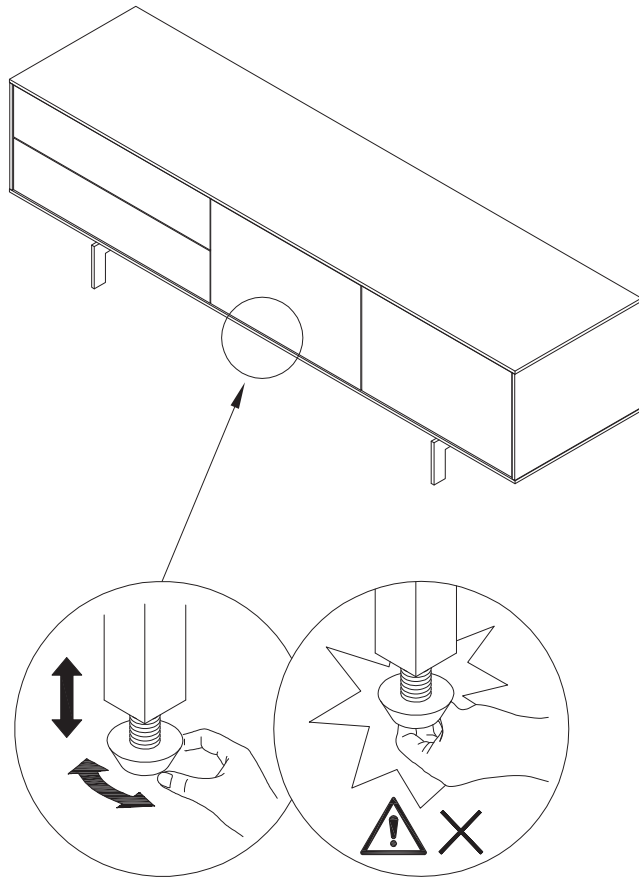
During assembly, hand tighten screws only. When the screws are in place, tighten completely.

Assembly Instructions

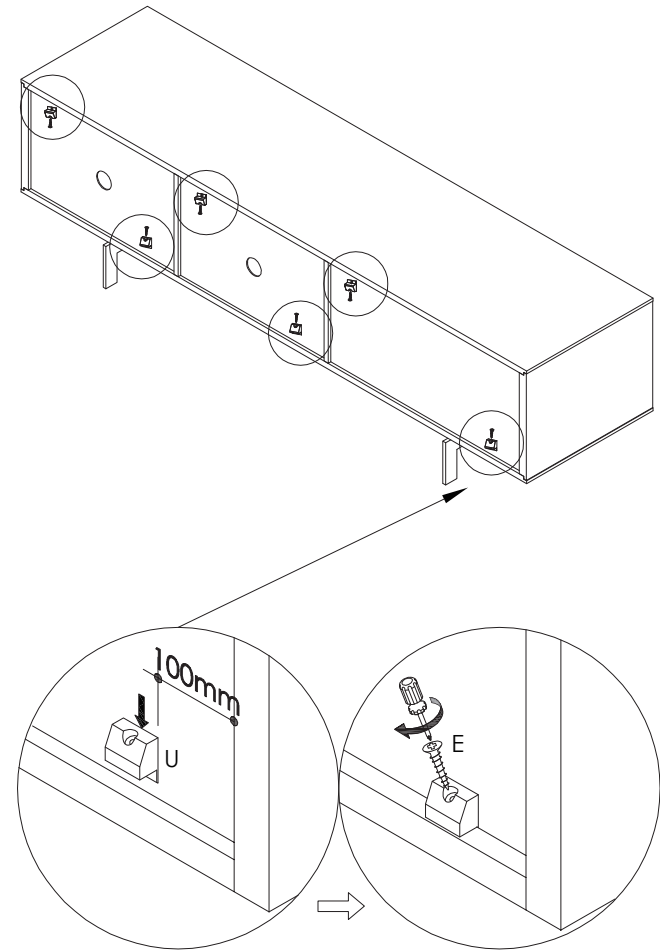
BIRMINGHAM-71 MEDIA STAND

PLEASE NOTE: Check that you have received all components and hardware before assembling. If you are missing any parts, contact your retailer.

15



16



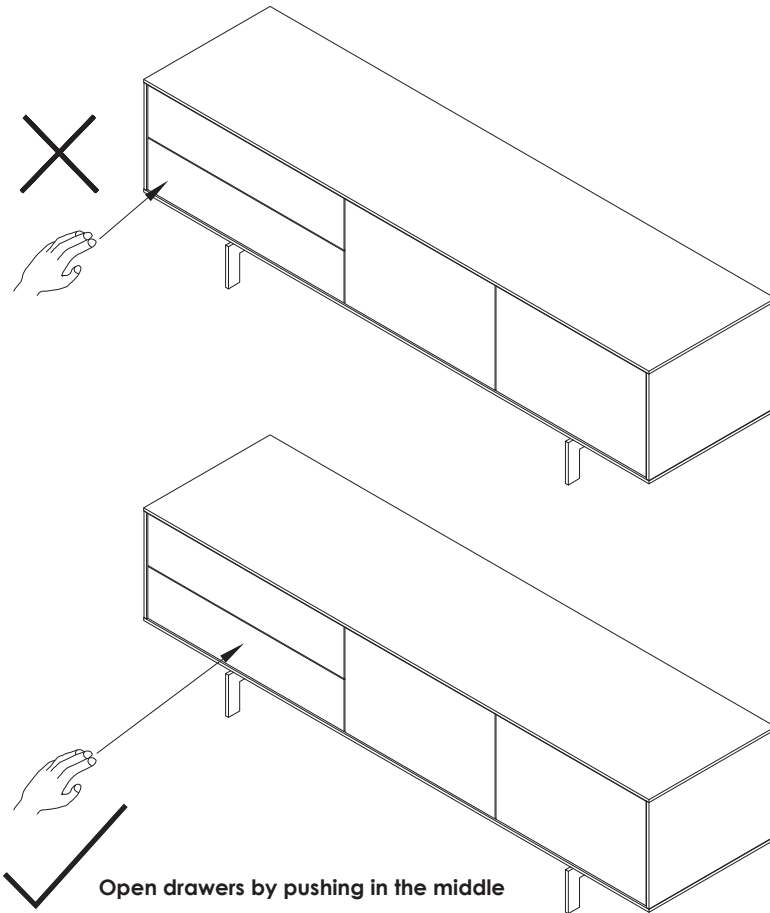
During assembly, hand tighten screws only. When the screws are in place, tighten completely.

Assembly Instructions

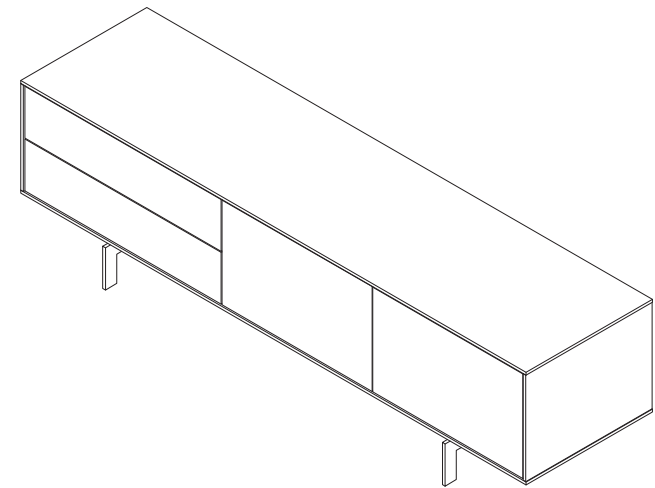
BIRMINGHAM-71 MEDIA STAND

PLEASE NOTE: Check that you have received all components and hardware before assembling. If you are missing any parts, contact your retailer.

17



18



During assembly, hand tighten screws only. When the screws are in place, tighten completely.