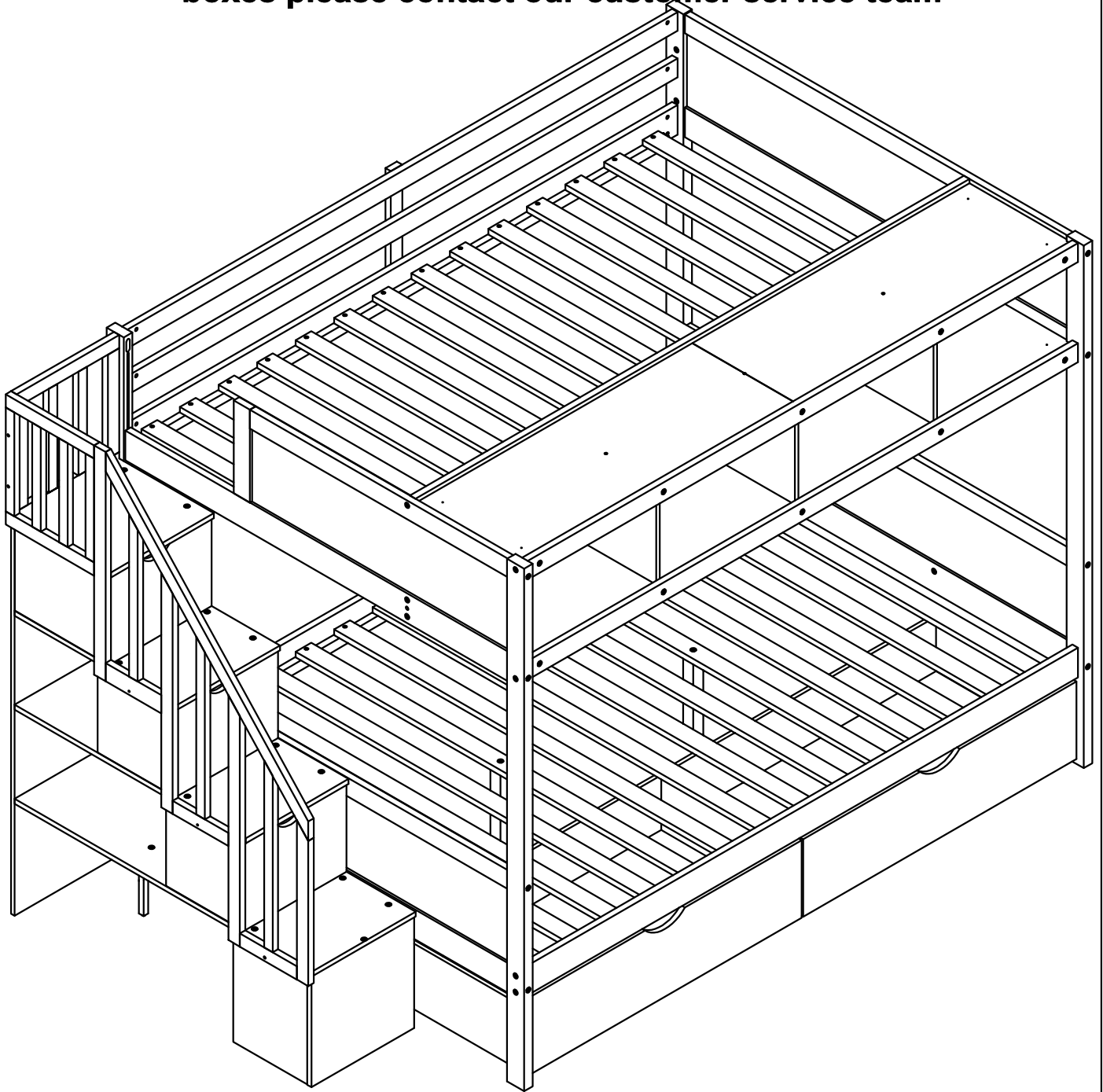


## ASSEMBLY INSTRUCTION

SKU CODE: (WF296634-WF296635-WF296636)

**This set is included 3 boxes if don't receive full 3 boxes please contact our customer service team**



# **! SAFETY WARNINGS !**

1. This bed is designed for use only mattress (es) meeting the following specifications on the upper bunk, and lower bunk

## **Upper bed**

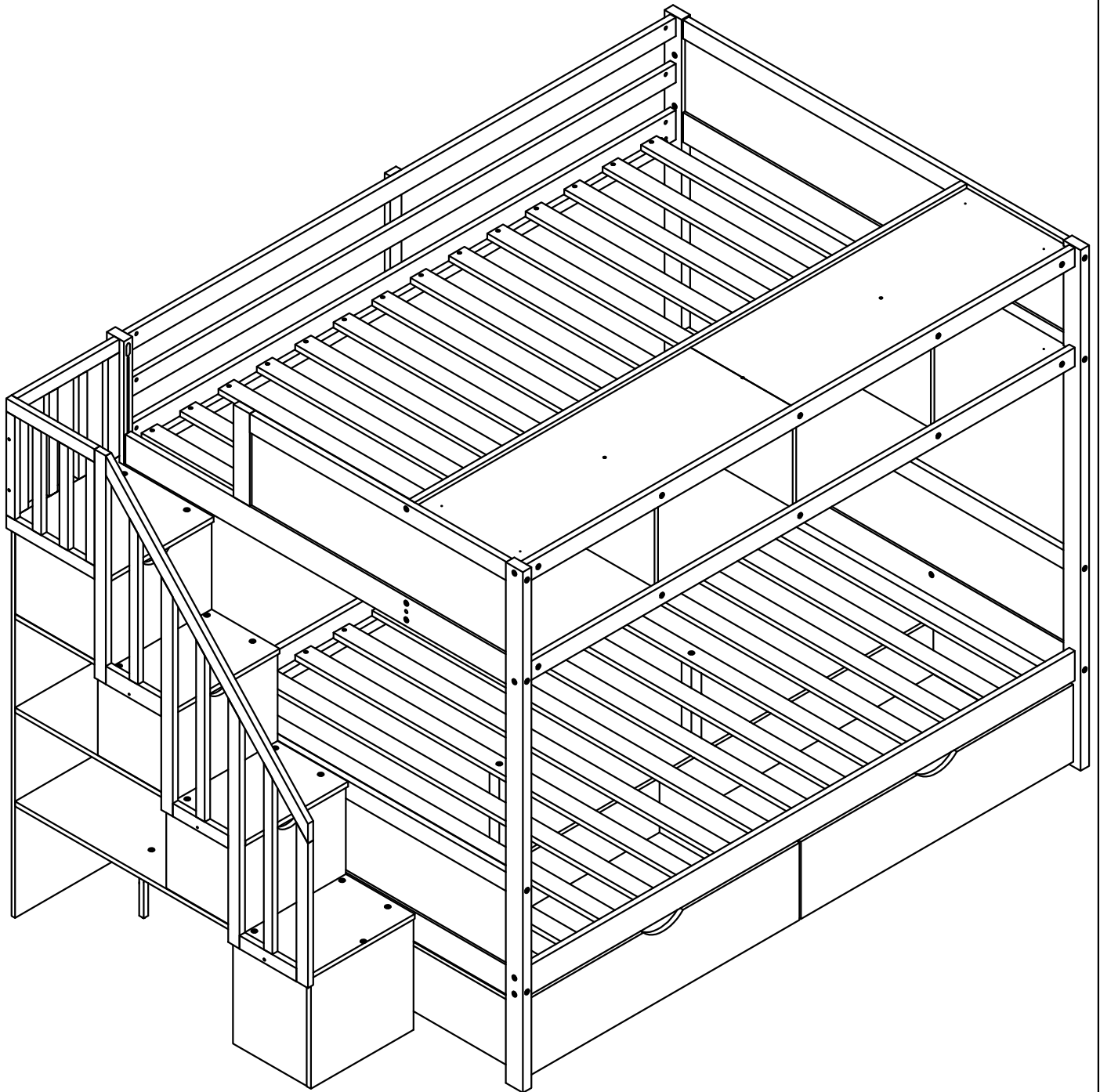
<b>Bed Type</b>	<b>Length</b>	<b>Width</b>	<b>Thickness</b>
<i>Twin Standard</i>	<i>74" - 75"</i>	<i>38 1/2"</i>	<i>6" max</i>

## **Lower bed**

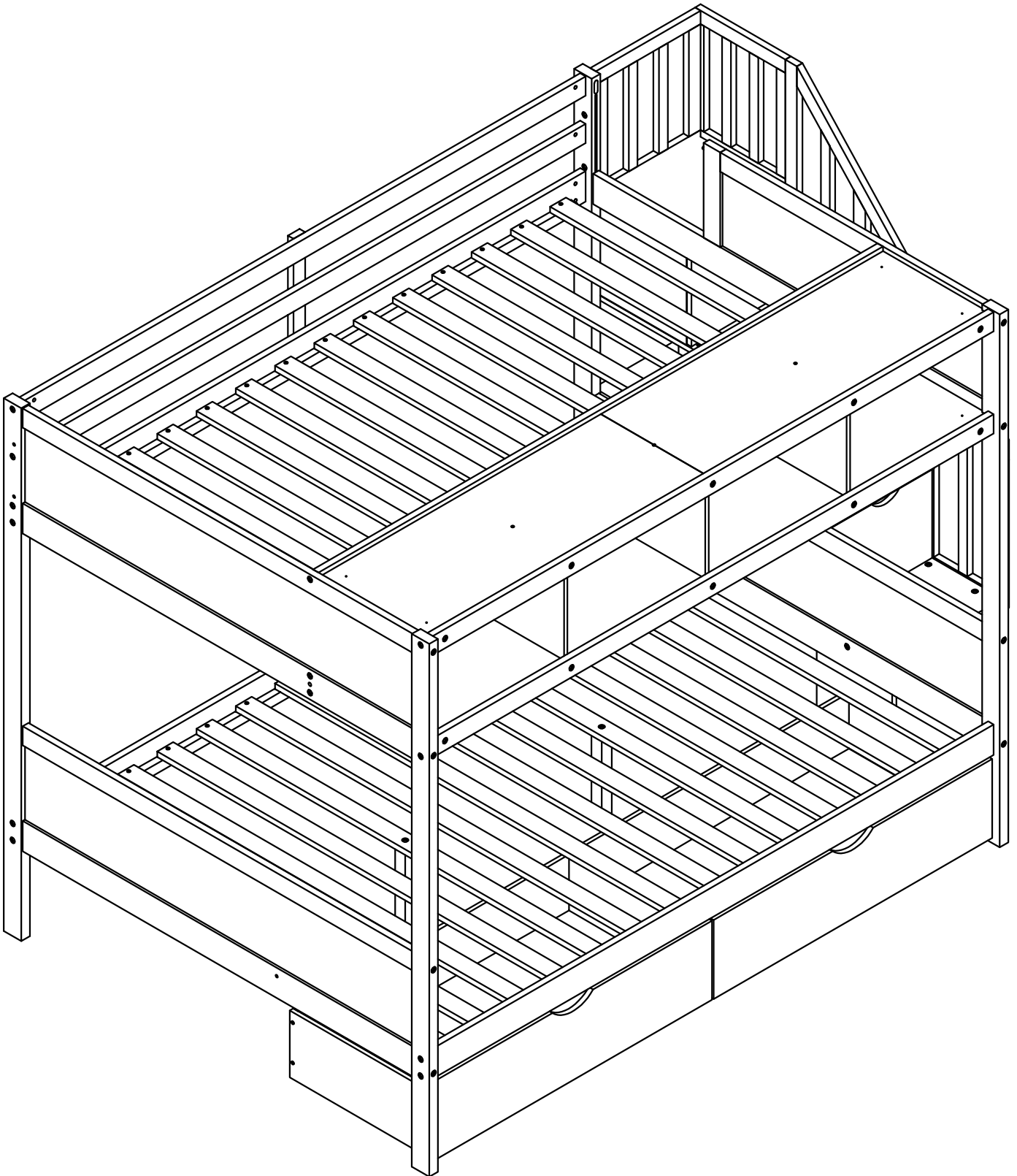
<b>Bed Type</b>	<b>Length</b>	<b>Width</b>	<b>Thickness</b>
<i>Full Standard</i>	<i>74" - 75"</i>	<i>53 1/2"</i>	<i>8" max</i>

2. Replacement parts, including additional guardrails, maybe obtained from any of our (GIGACLOUD TECHNOLOGY (USA) INC. 18961 ARENTH AVENUE CITY OF INDUSTRY, CA, 91748) dealers
3. Follow the information on the warnings appearing on the upper bunk bed end structure and on the carton. Do not remove warning label from bed
4. Always use the recommended size mattresses or mattress supports, or both, to help prevent the likelihood of entrapment or falls.
5. Surface of mattress must be at least 5" (127mm) below the upper edge of guardrails
6. Do not allow children under 6 years of age to use the upper bunk.
7. Periodically check and ensure that the guardrail, ladder, and other components are in their proper position, free from damage, and that all connectors are tight.
8. Do not allow horseplay on or under the bed and prohibit jumping on the bed.
9. Always use the ladder for entering and leaving the upper bunkAlways use the ladder for entering and leaving the upper bunk.
10. Do not use substitute part. Contact the manufacture or dealer for replacement part
11. Use of a night light may provide added safety precaution for a child using the upper bunk..
12. Always use guardrails on both long sides of the upper bunk. If the bunk bed will be placed next to the wall, the guardrail that runs the full length of the bed should be placed against the wall to prevent entrapment between the bed and wall.
13. The use of water or sleep flotation mattresses is prohibited
14. STRANGULATION HAZARD - Never attach or hang items to any part of the bunk bed that are not designed for use with the bed; for example, but not limited to, hook, belts and jump ropes
15. Keep these instruction for future reference
16. Prohibit more than one person on upper bunk
17. We recommend assembling your bunk bed on the shipping carton to protect your floor or carpet
18. Be certain all staples are out of the box before beginning assembly on the shipping carton.

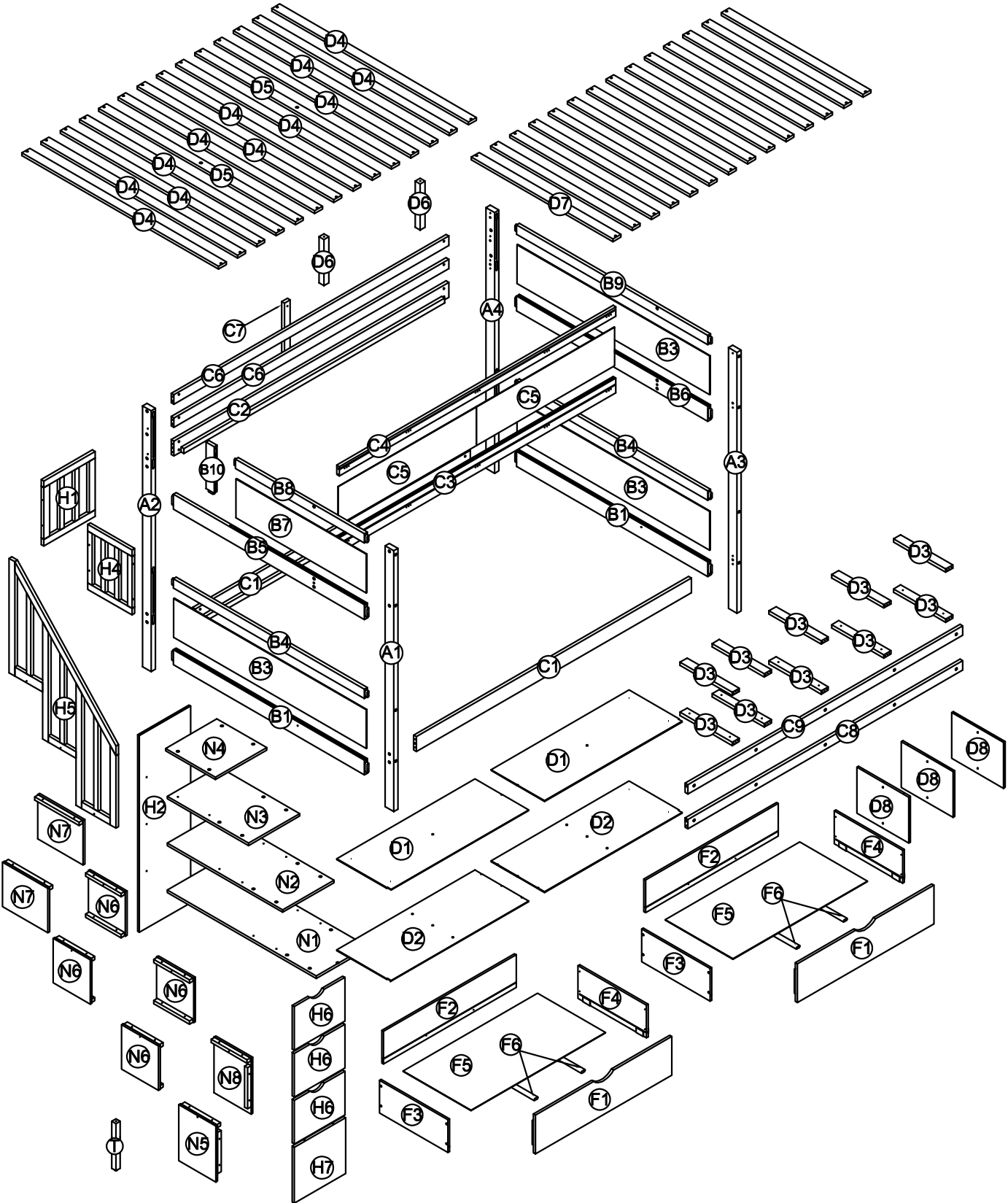
# OPTION 1: STAIR IN LEFT



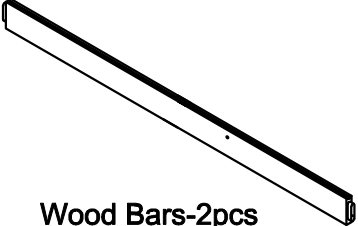

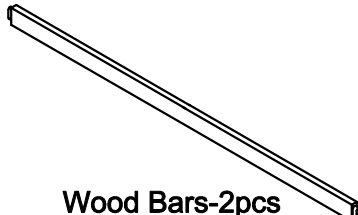


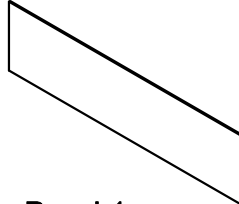
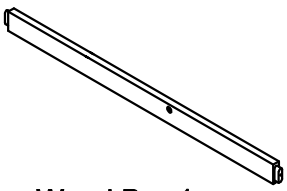



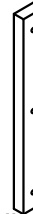
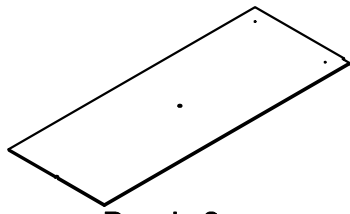
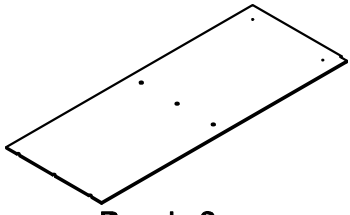
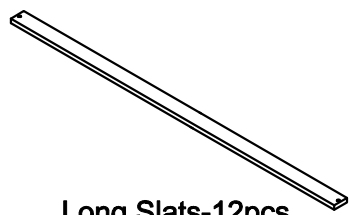
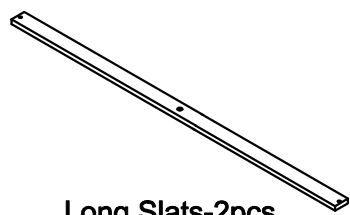


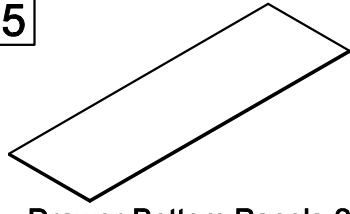

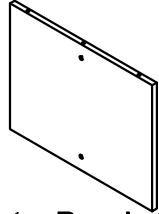
## OPTION 2: STAIR IN RIGHT







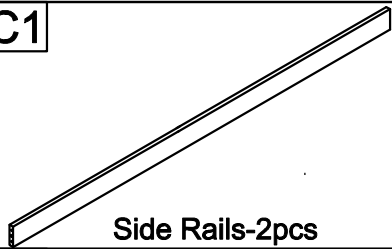
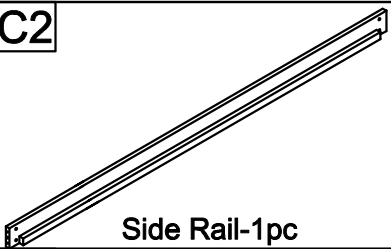
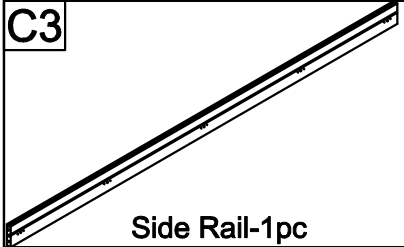
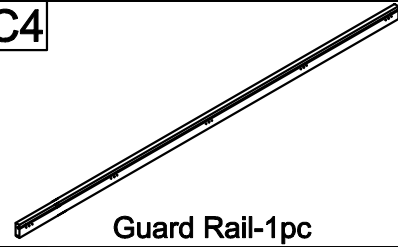
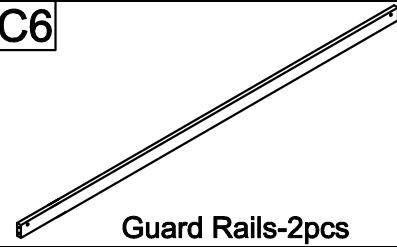
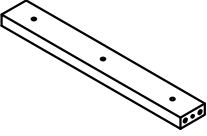
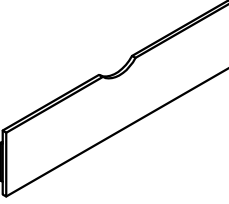
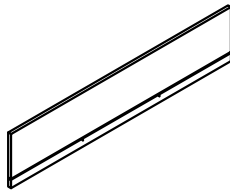
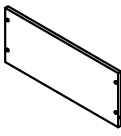
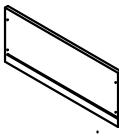
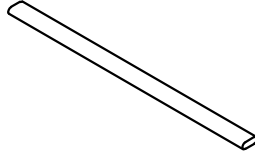
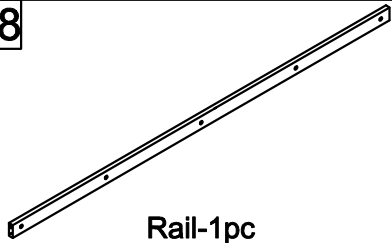
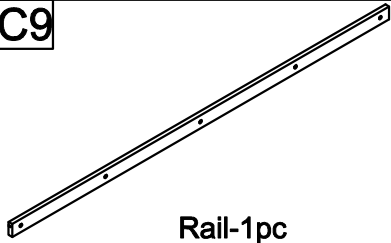
# ASSEMBLY INSTRUCTION



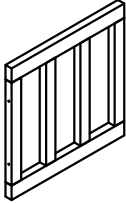


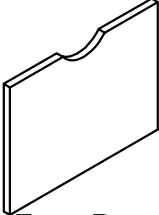
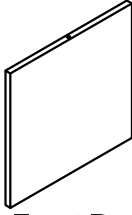
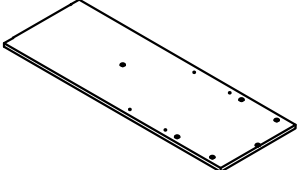
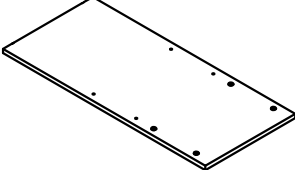
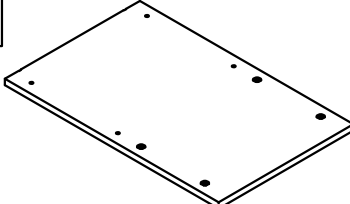
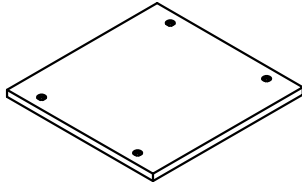
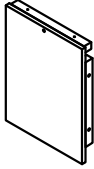
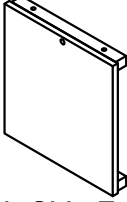
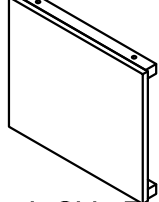
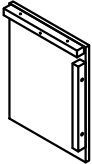

# Part List & Hardware List (Box 1-WF296634)

<p><b>B1</b></p>  <p>Wood Bars-2pcs</p>	<p><b>B3</b></p>  <p>Panels-3pcs</p>	<p><b>B4</b></p>  <p>Wood Bars-2pcs</p>
<p><b>B5</b></p>  <p>Wood Bar-1pc</p>	<p><b>B6</b></p>  <p>Wood Bar-1pc</p>	<p><b>B7</b></p>  <p>Panel-1pc</p>
<p><b>B8</b></p>  <p>Wood Bar-1pc</p>	<p><b>B9</b></p>  <p>Wood Bar-1pc</p>	<p><b>B10</b></p>  <p>Wood Bar-1pc</p>
<p><b>C5</b></p>  <p>Panels-2pcs</p>	<p><b>C7</b></p>  <p>Rail-1pc</p>	<p><b>D1</b></p>  <p>Panels-2pcs</p>
<p><b>D2</b></p>  <p>Panels-2pcs</p>	<p><b>D4</b></p>  <p>Long Slats-12pcs</p>	<p><b>D5</b></p>  <p>Long Slats-2pcs</p>
<p><b>D6</b></p>  <p>Support Slats-2pcs</p>	<p><b>D7</b></p>  <p>Short Slats-14pcs</p>	<p><b>F5</b></p>  <p>Drawer-Bottom Panels-2pcs</p>
<p><b>H5</b></p>  <p>Stair-Side Frame-1pc</p>	<p><b>D8</b></p>  <p>Center Panels-3pcs</p>	



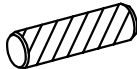



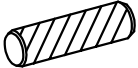
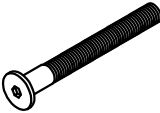


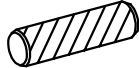


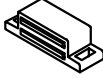
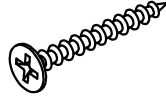

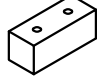

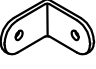
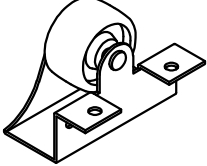
# Part List (Box 2-WF296635)

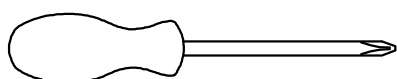
<p><b>A1</b></p>  <p>Leg-1pc</p>	<p><b>A2</b></p>  <p>Leg-1pc</p>	<p><b>A3</b></p>  <p>Leg-1pc</p>
<p><b>A4</b></p>  <p>Leg-1pc</p>	<p><b>C1</b></p>  <p>Side Rails-2pcs</p>	<p><b>C2</b></p>  <p>Side Rail-1pc</p>
<p><b>C3</b></p>  <p>Side Rail-1pc</p>	<p><b>C4</b></p>  <p>Guard Rail-1pc</p>	<p><b>C6</b></p>  <p>Guard Rails-2pcs</p>
<p><b>D3</b></p>  <p>Rails-10pcs</p>	<p><b>F1</b></p>  <p>Drawer-Front Panels-2pcs</p>	<p><b>F2</b></p>  <p>Drawer-Back Panels-2pcs</p>
<p><b>F3</b></p>  <p>Drawer-Side Panels-2pcs</p>	<p><b>F4</b></p>  <p>Drawer-Side Panels-2pcs</p>	<p><b>F6</b></p>  <p>Drawer-Support Bottom-4pcs</p>
<p><b>C8</b></p>  <p>Rail-1pc</p>	<p><b>C9</b></p>  <p>Rail-1pc</p>	

# Part List (Box 3-WF296636)

<p><b>H1</b></p>  <p>Stair-Back Frame-1pc</p>	<p><b>H2</b></p>  <p>Stair-Back Panel-1pc</p>	<p><b>H4</b></p>  <p>Stair-Side Frame-1pc</p>
<p><b>H6</b></p>  <p>Stair-Front Panels-3pcs</p>	<p><b>H7</b></p>  <p>Stair-Front Panel-1pc</p>	<p><b>N1</b></p>  <p>Stair-Panle-1pc</p>
<p><b>N2</b></p>  <p>Stair-Panle-1pc</p>	<p><b>N3</b></p>  <p>Stair-Panle-1pc</p>	<p><b>N4</b></p>  <p>Stair-Panle-1pc</p>
<p><b>N5</b></p>  <p>Stair-Side Frame-1pc</p>	<p><b>N6</b></p>  <p>Stair-Side Frames-4pcs</p>	<p><b>N7</b></p>  <p>Stair-Side Frames-2pcs</p>
<p><b>N8</b></p>  <p>Stair-Side Frame-1pc</p>	<p><b>T</b></p>  <p>Center Leg-1pc</p>	

# Hardware List(Box 1-WF296634)

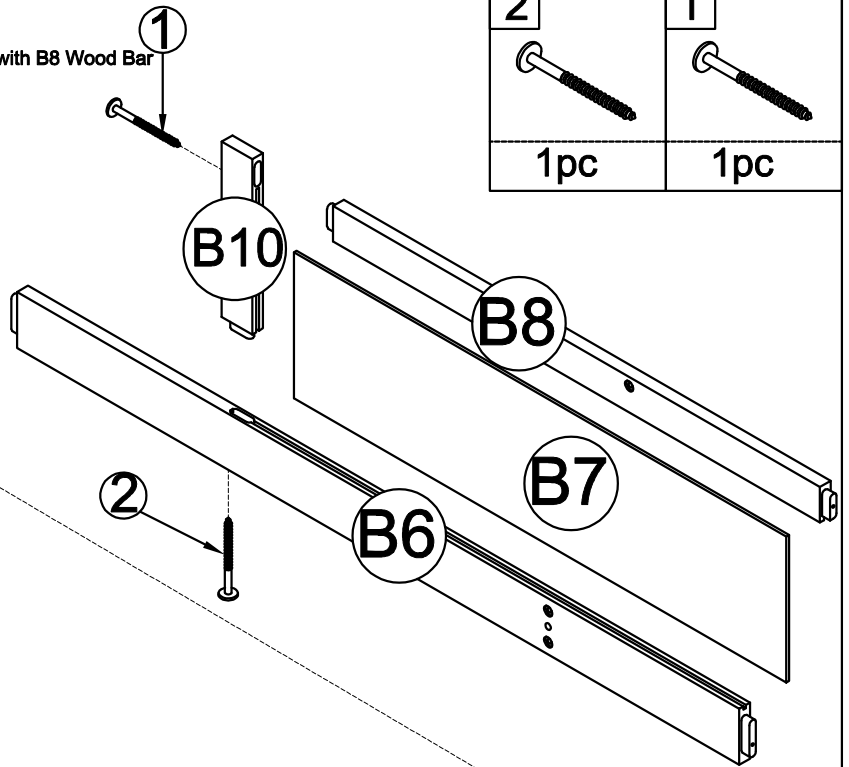
<p><b>1</b></p>  <p>Screws 1/4" x80 16pcs</p>	<p><b>2</b></p>  <p>Screws 1/4" x100 1pc</p>	<p><b>3</b></p>  <p>Ø8 x 30 mm Wood dowel 40pcs</p>
<p><b>4</b></p>  <p>Screws 1/4" x50 28pcs</p>	<p><b>5</b></p>  <p>M4 x 15 mm Wood Screws 20pcs</p>	<p><b>6</b></p>  <p>Allen Key 1pc</p>
<p><b>7</b></p>  <p>Ø10 x 40 mm Wood dowel 14pcs</p>	<p><b>8</b></p>  <p>Ø1/4" x 80 mm Hex-Head bolts 26pcs</p>	<p><b>9</b></p>  <p>Ø1/4" x 13 mm Horizontal-Hole bolts 38pcs</p>
<p><b>10</b></p>  <p>Screws 1/4" x30 32pcs</p>	<p><b>11</b></p>  <p>Ø6 x 30 mm Wood dowel 12pcs</p>	<p><b>12</b></p>  <p>Ø1/4" x 30 mm Hex-Head bolts 7pcs</p>
<p><b>13</b></p>  <p>M4 x 30 mm Wood Screws 84pcs</p>	<p><b>14</b></p>  <p>Door Catches 45x17x13 6pcs</p>	<p><b>15</b></p>  <p>M3 x 12 mm Wood Screws 36pcs</p>
<p><b>16</b></p>  <p>Ø1/4" x 60 mm Hex-Head bolts 12pcs</p>	<p><b>17</b></p>  <p>Stop Drawers 4pcs</p>	<p><b>18</b></p>  <p>Screws 1/4" x40 2pcs</p>
<p><b>19</b></p>  <p>Steel Bracket 2pcs</p>	<p><b>20</b></p>  <p>Wheels 8pcs</p>	



**Assembly Tools Required (Not Included)**

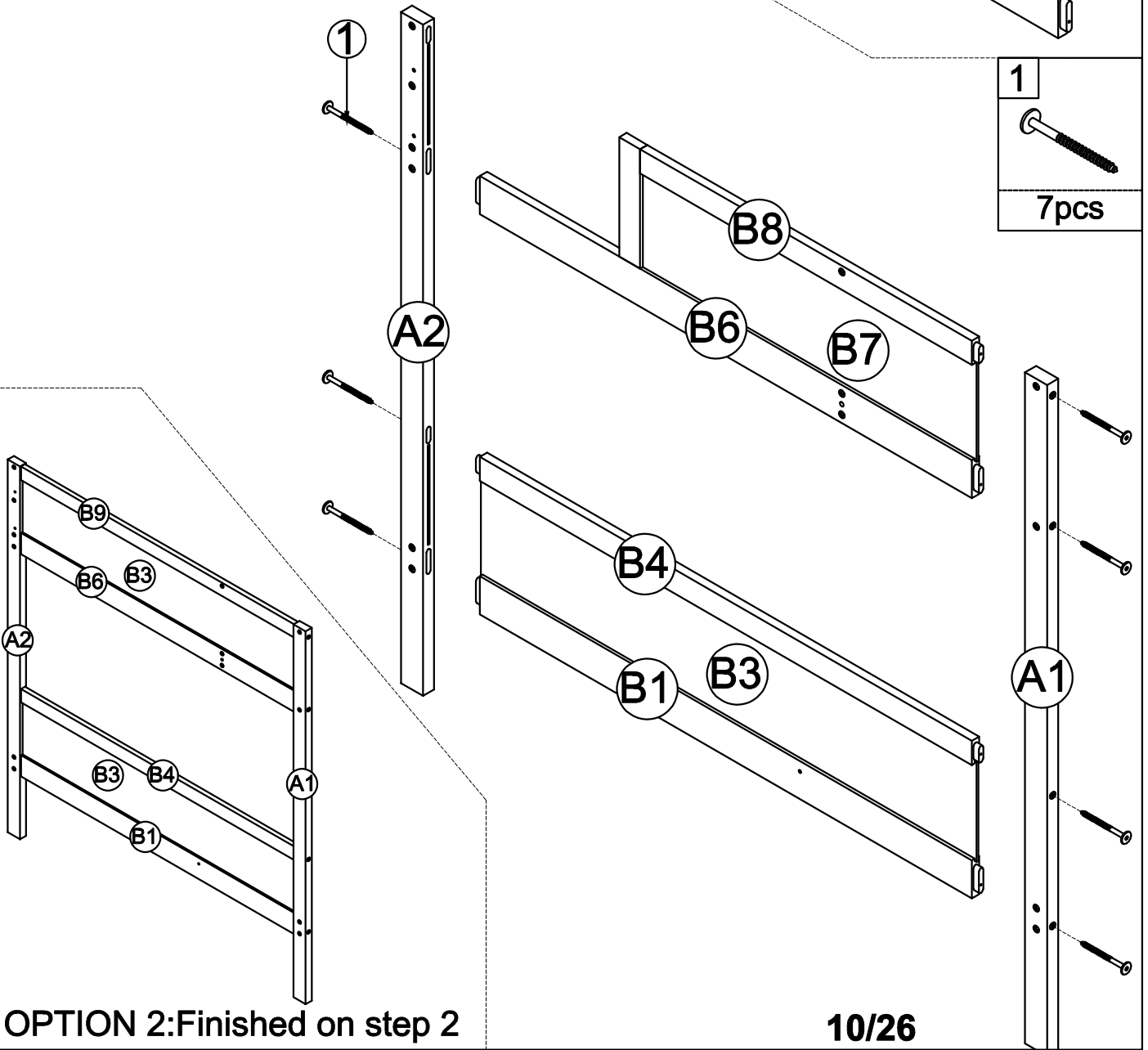
# STEP 1: Following below illustration ..

-Using hardware #1,#2 connect B6,B8 Wood Bars and B7 panel with B8 Wood Bar



# STEP 2: Following below illustration ..

-Using hardware #1 connect B1,B4 Wood Bars,B3 panel and Frame (Completed on step 1) with A1,A2 Legs



OPTION 2: Finished on step 2

10/26

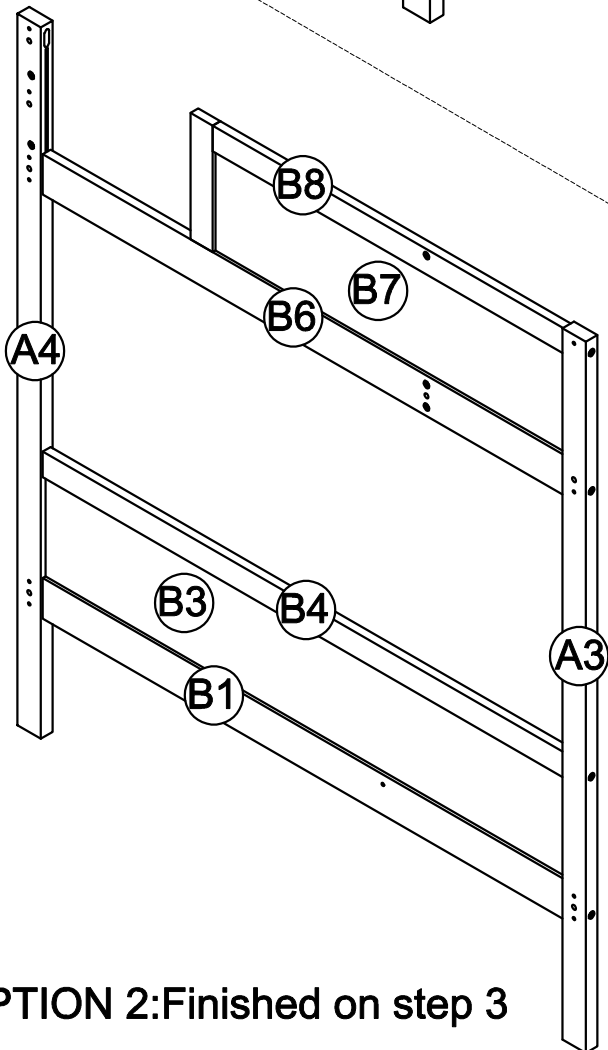
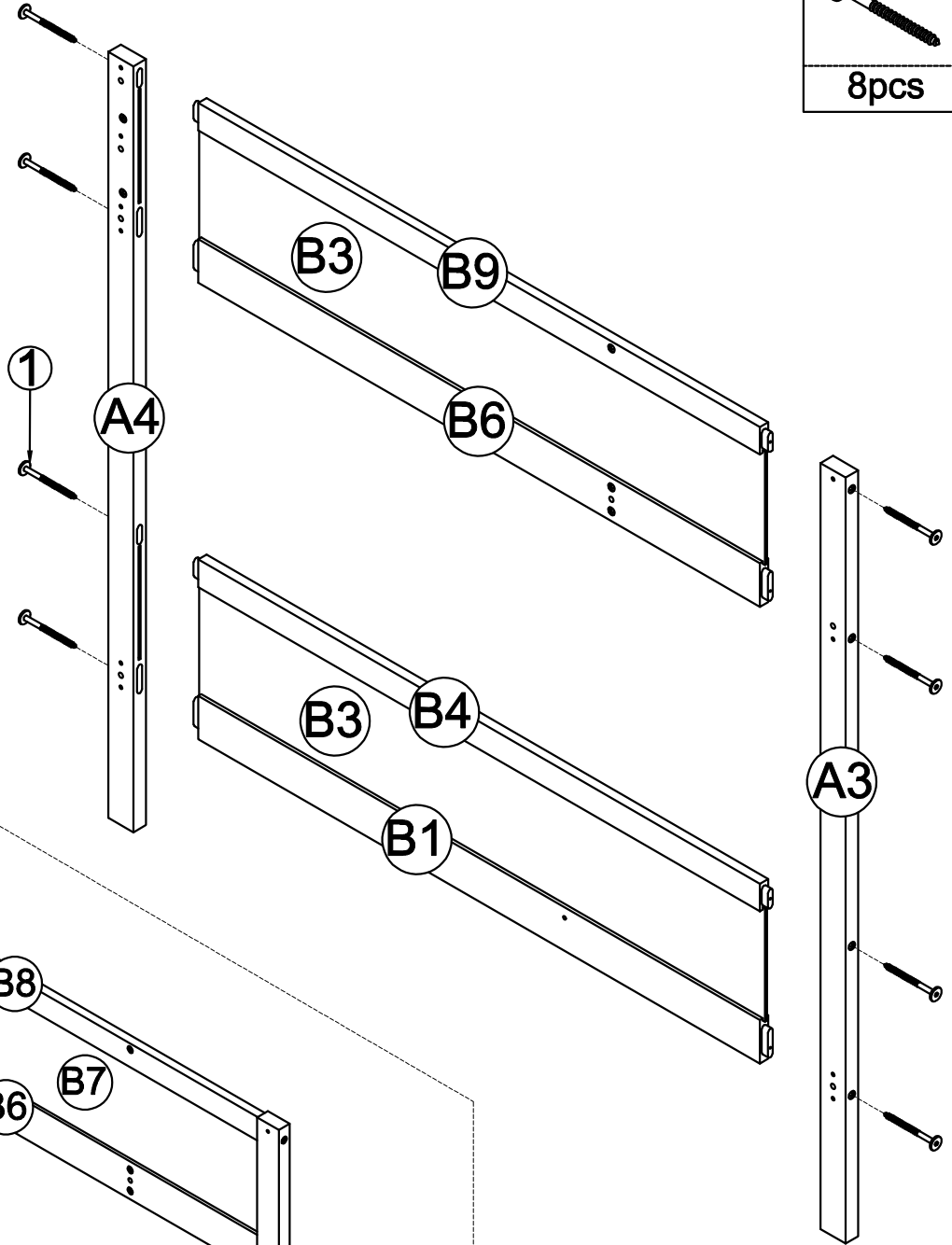
# STEP 3: Following below illustration :

-Using hardware #1 connect B1,B4,B6,B9 Wood Bars,B3(x2) panels with A3,A4 Legs

1

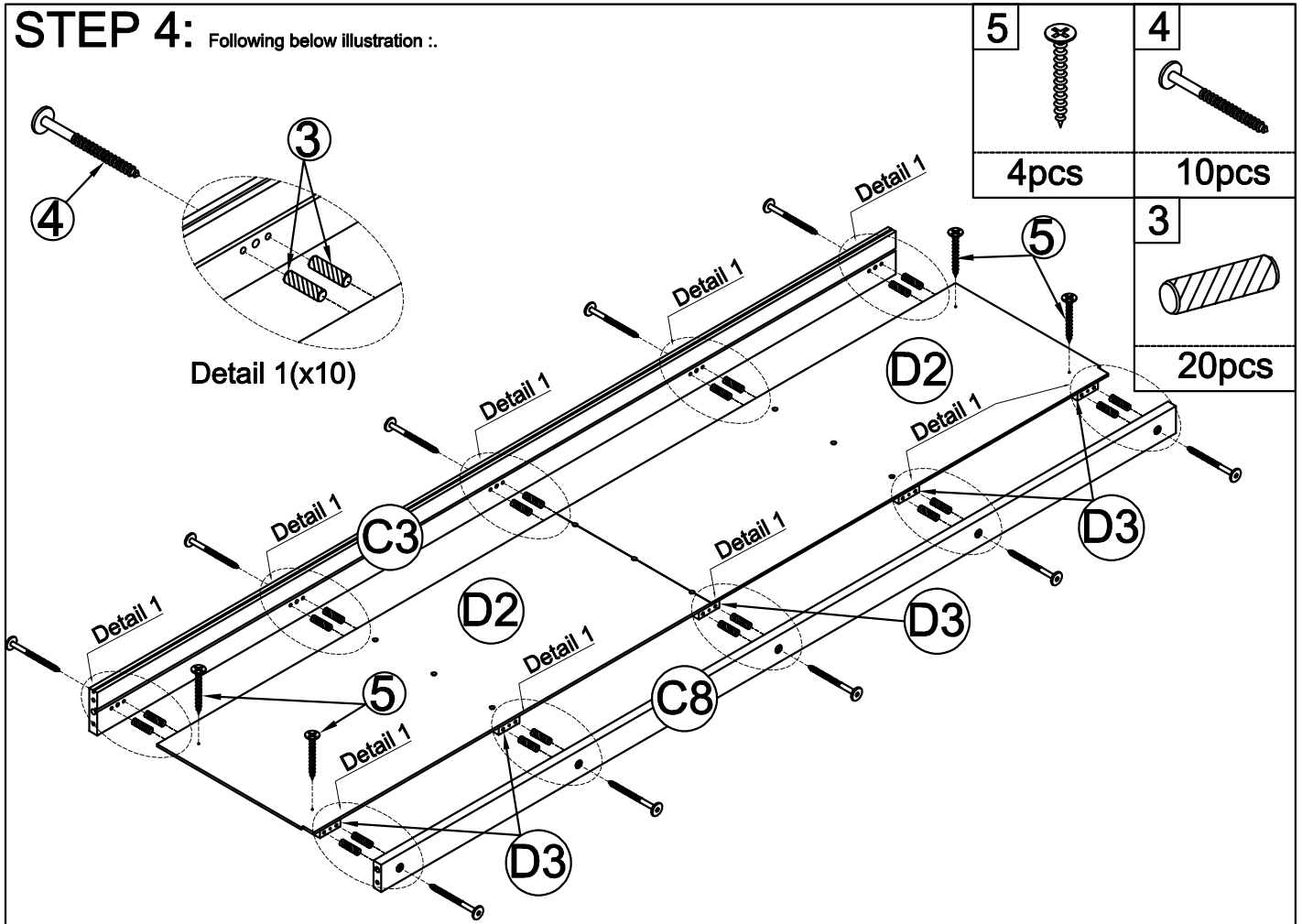


8pcs

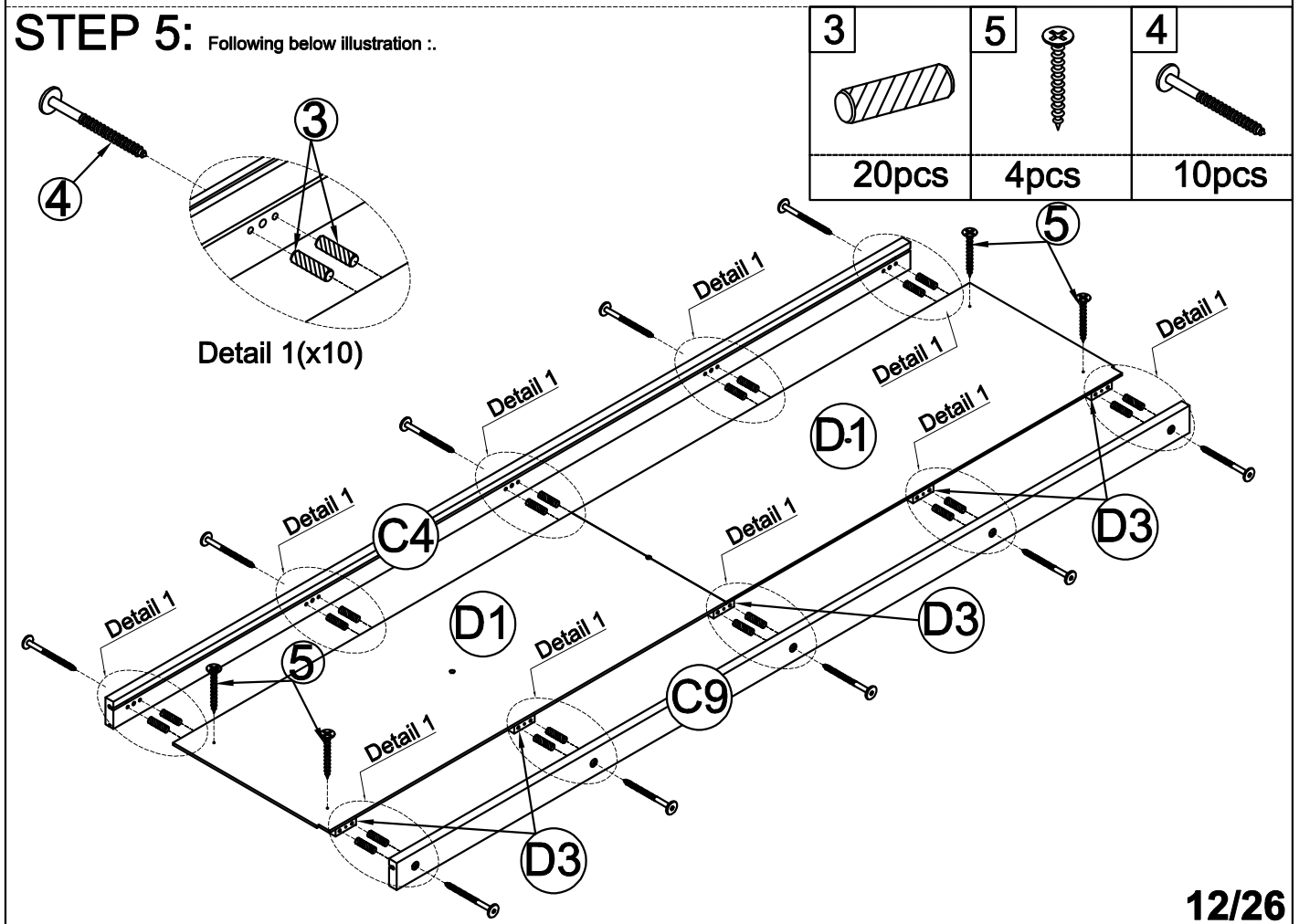


OPTION 2:Finished on step 3

**STEP 4:** Following below illustration ..

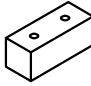
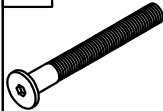





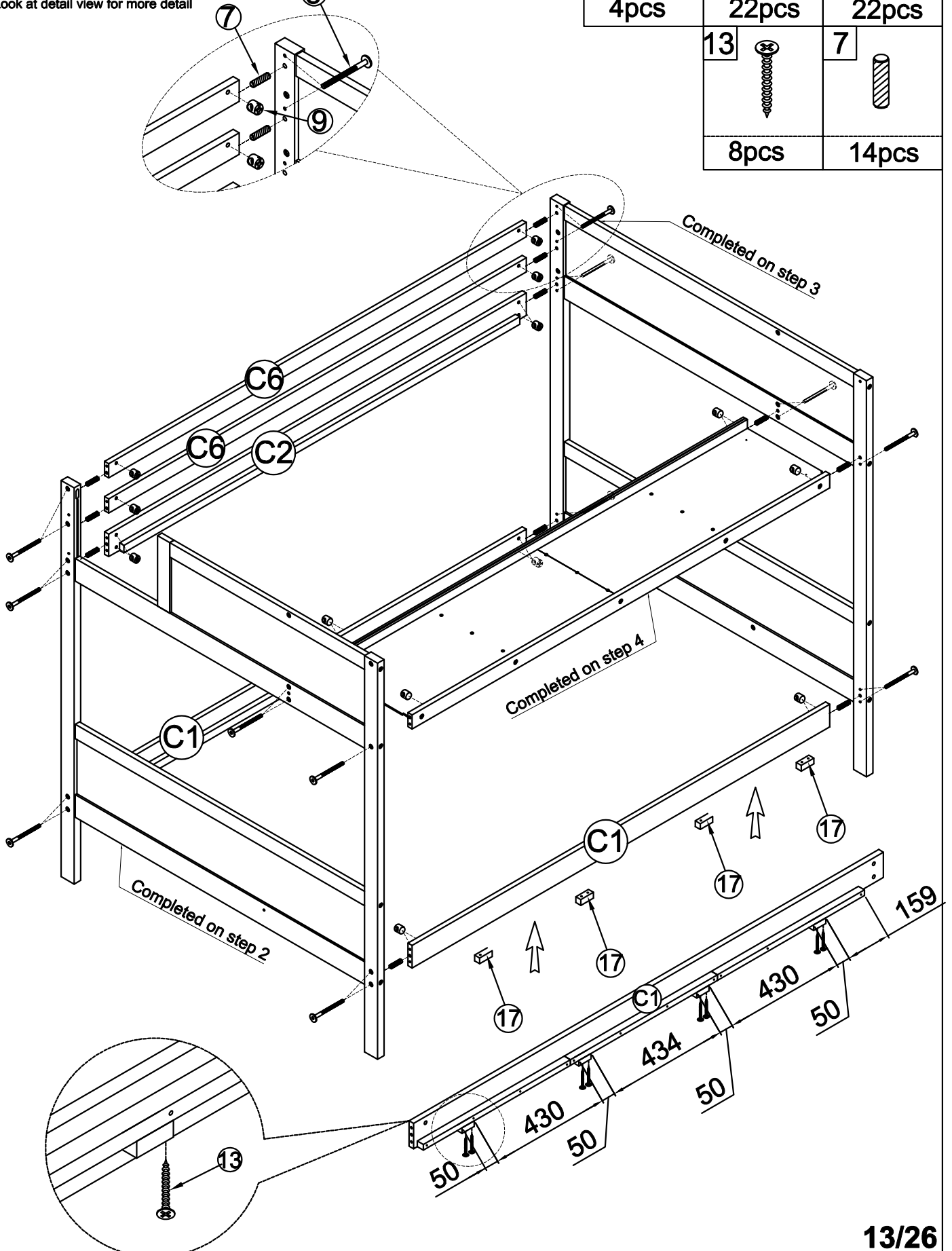
**STEP 5:** Following below illustration ..



# STEP 6: Following below illustration .:

- Using hardware #8,#9 and Dowel 7 connect Frame(Completed on step 2,step 3) with Frame(Completed on step 4),Side Rails C1(x2),C2 and Guard Rails C6(x2)
- Using hardware #13 connect Stop Drawer(#17) with Siderail C1
- Look at detail view for more detail


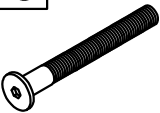

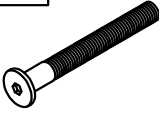
17	8	9
		
4pcs	22pcs	22pcs
13	7	
		
8pcs	14pcs	

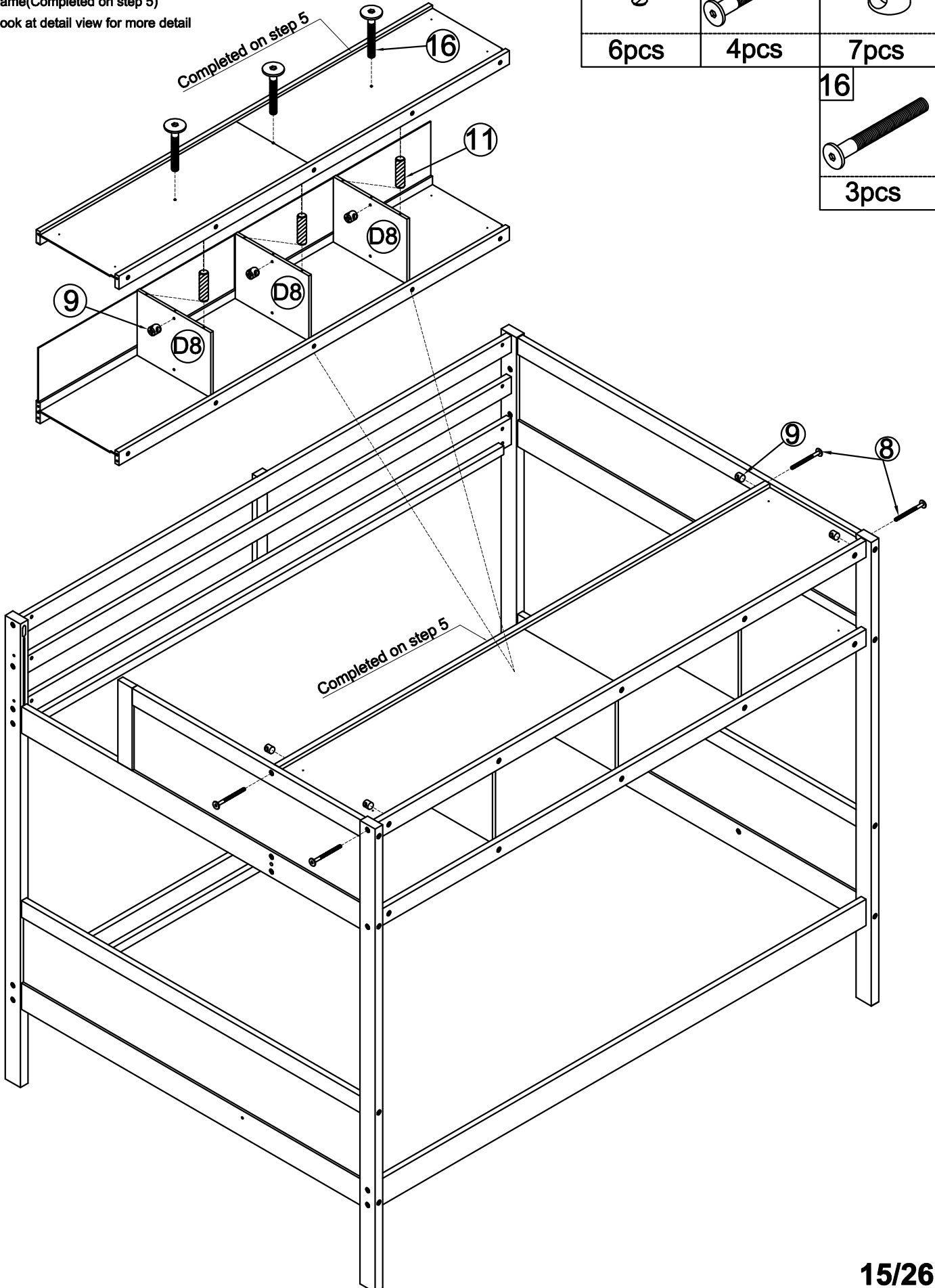




# STEP 8: Following below illustration .:


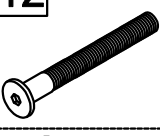
-Using hardware #8,#9,#16 and Dowel 11 connect Frame(Completed on step 10) with Frame(Completed on step 5)  
-Look at detail view for more detail

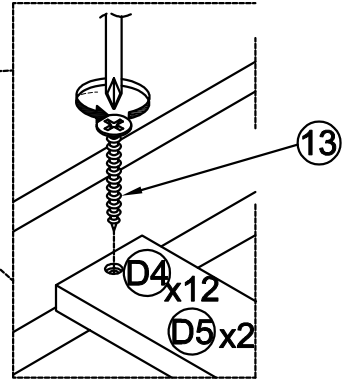
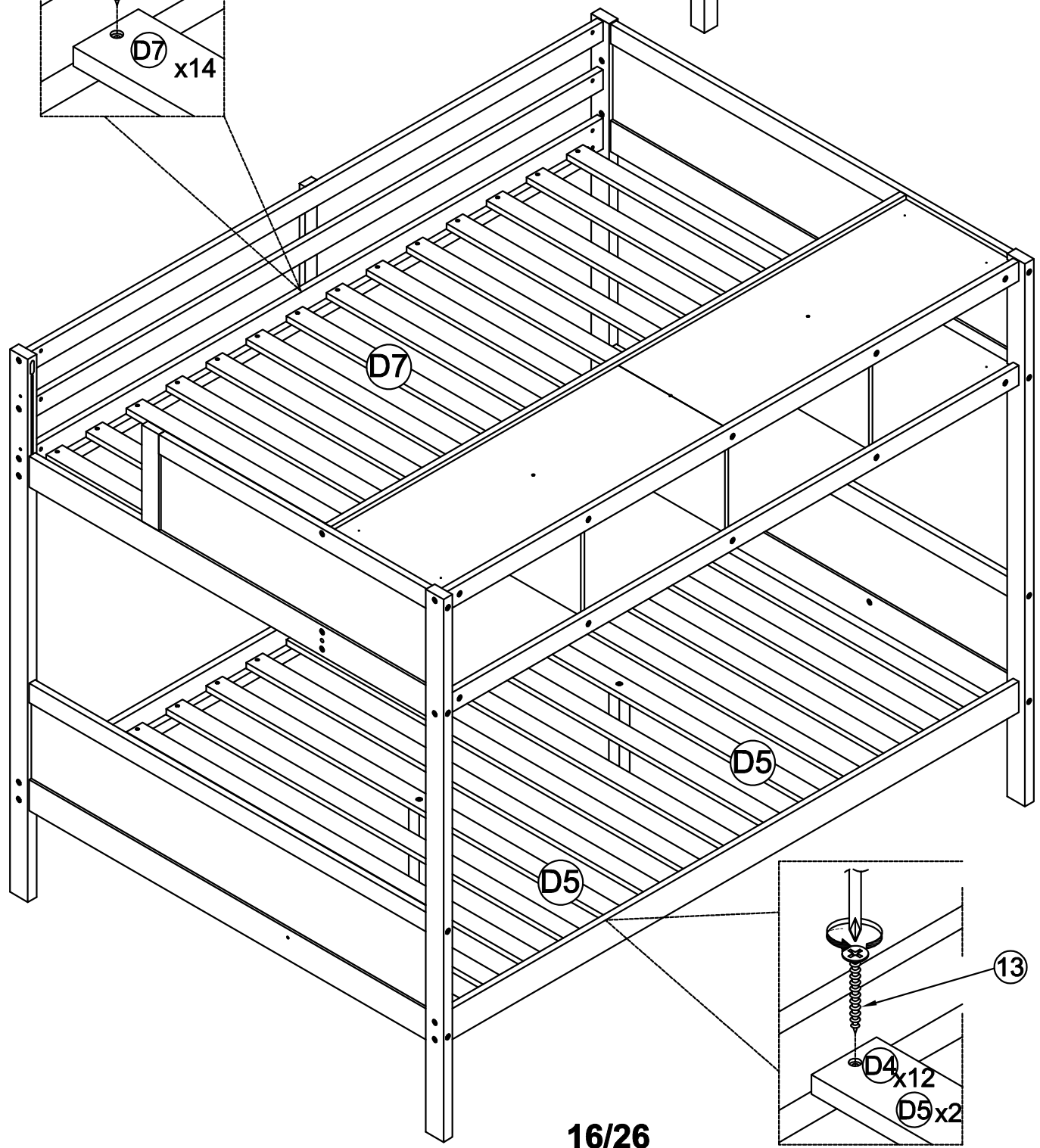
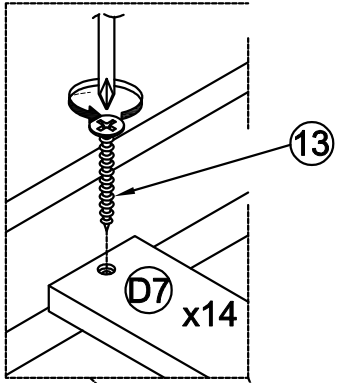
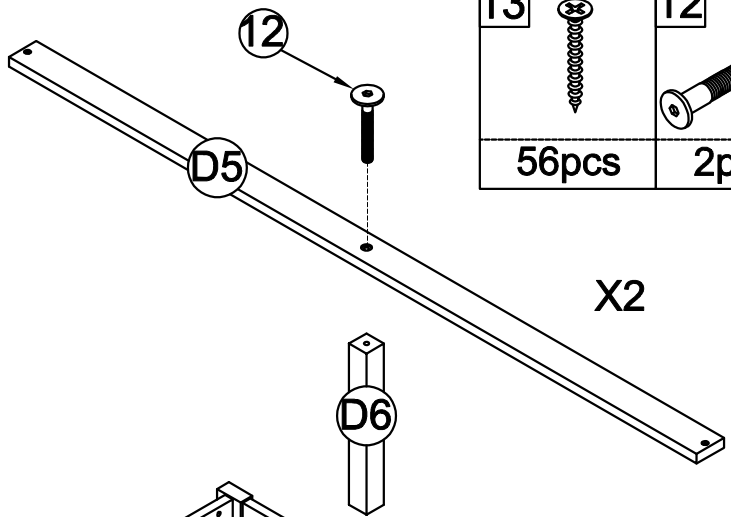
11		8		9	
6pcs		4pcs		7pcs	
16					
					
3pcs					



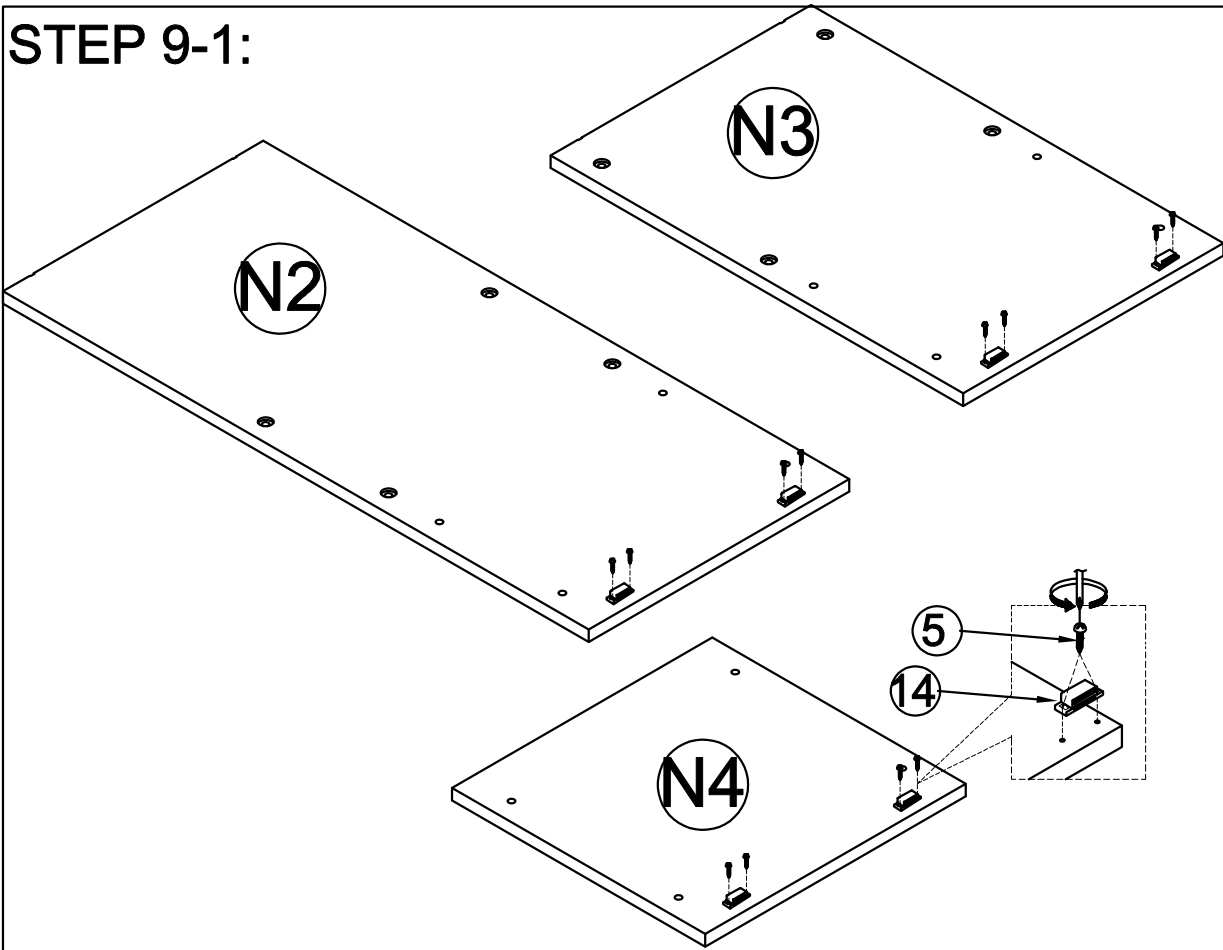
# STEP 8: Following below illustration .:

- Using hardware #12 connect Slat D5 with Center Leg D6
- Using hardware #13 to Assembly Slats L4(x12),L5(x2),L7(x14) With Frame (Completed on step 7)
- Look at detail view for more detail

13		12	
56pcs		2pcs	



STEP 9-1:

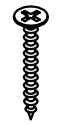


14



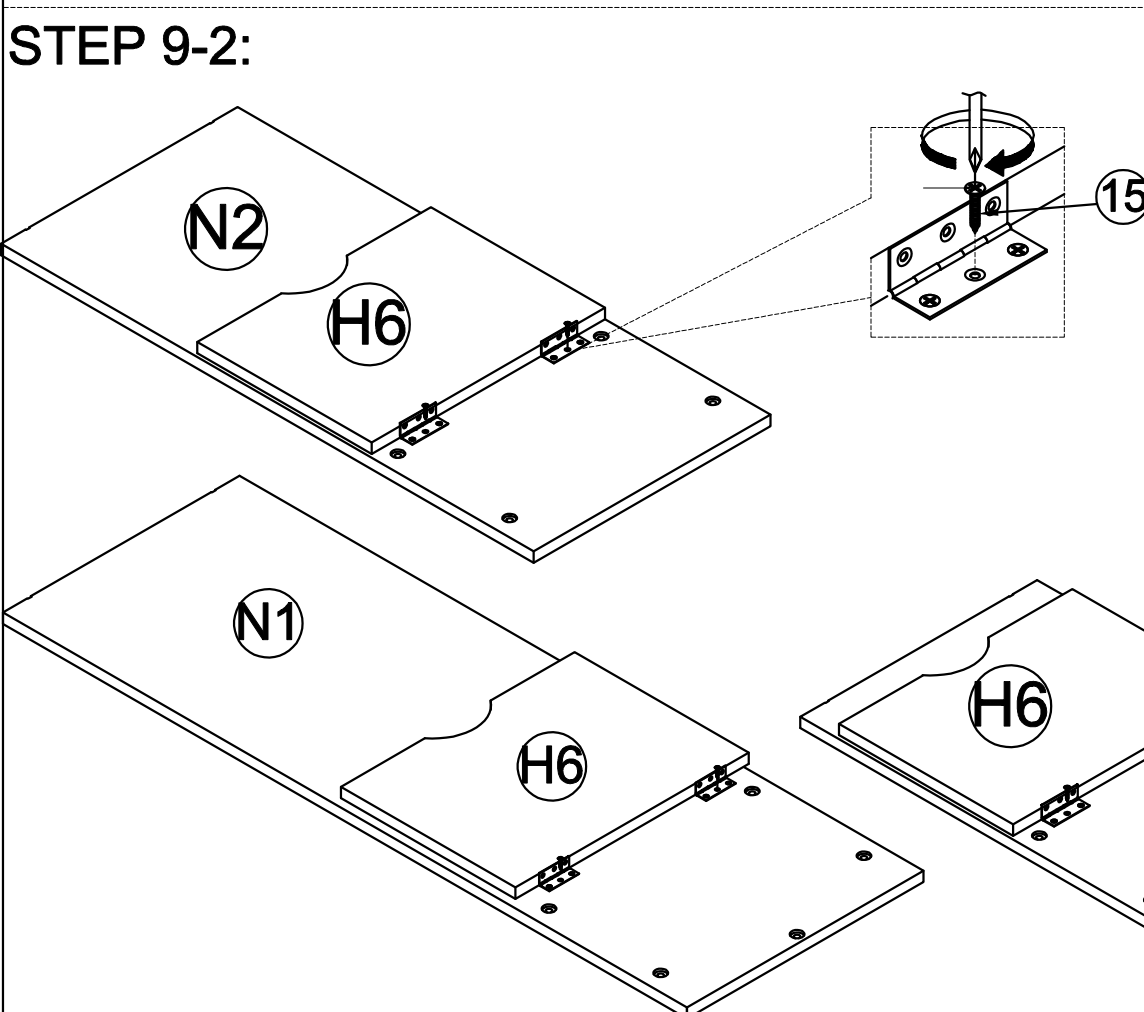
6pcs

5



12pcs

STEP 9-2:



15



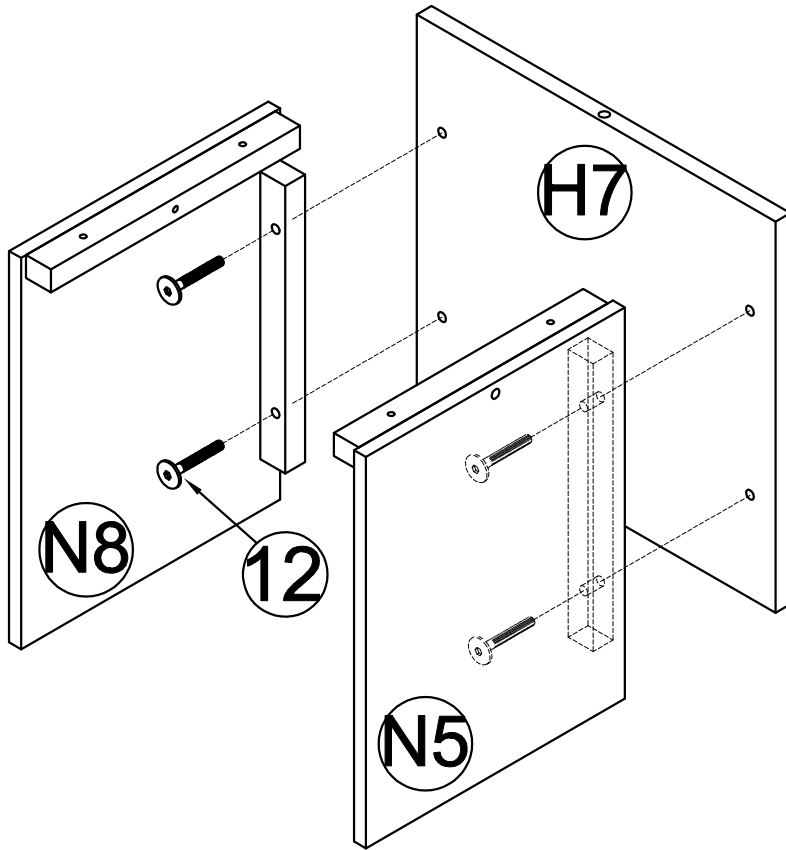
18pcs

# STEP 9-3:

12



4pcs



# STEP 9-4:

12

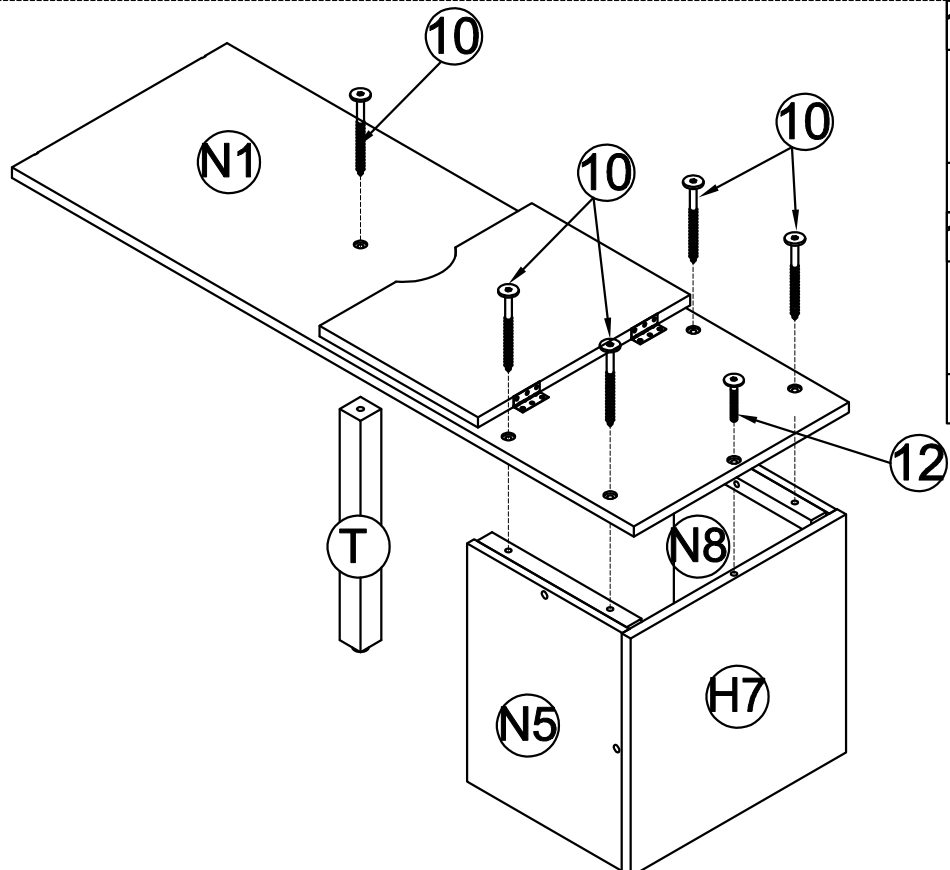


1pc

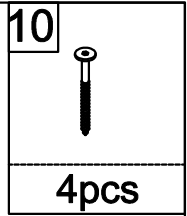
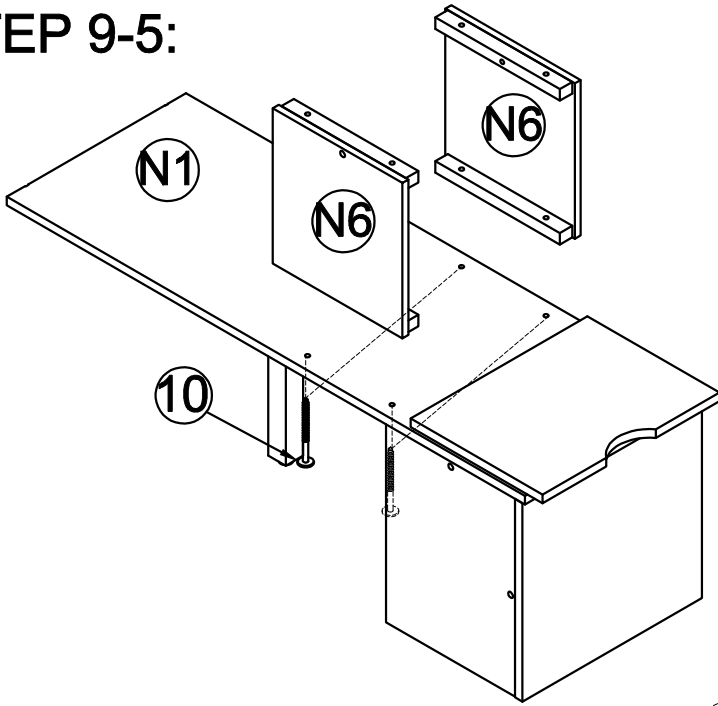
10



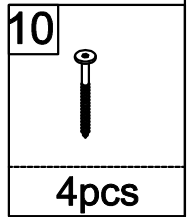
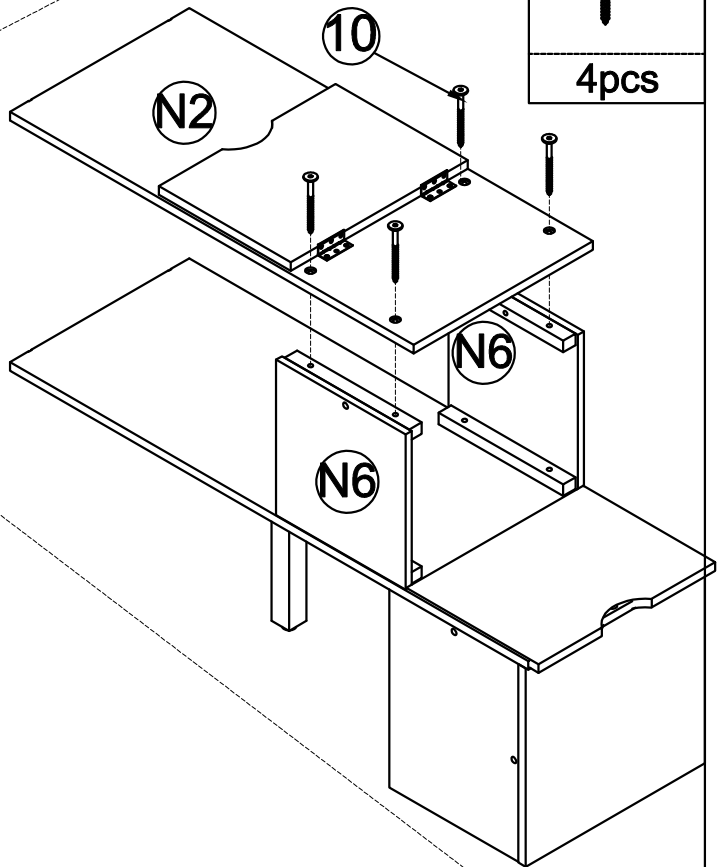
5pcs



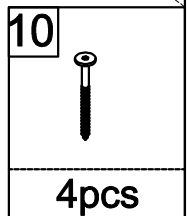
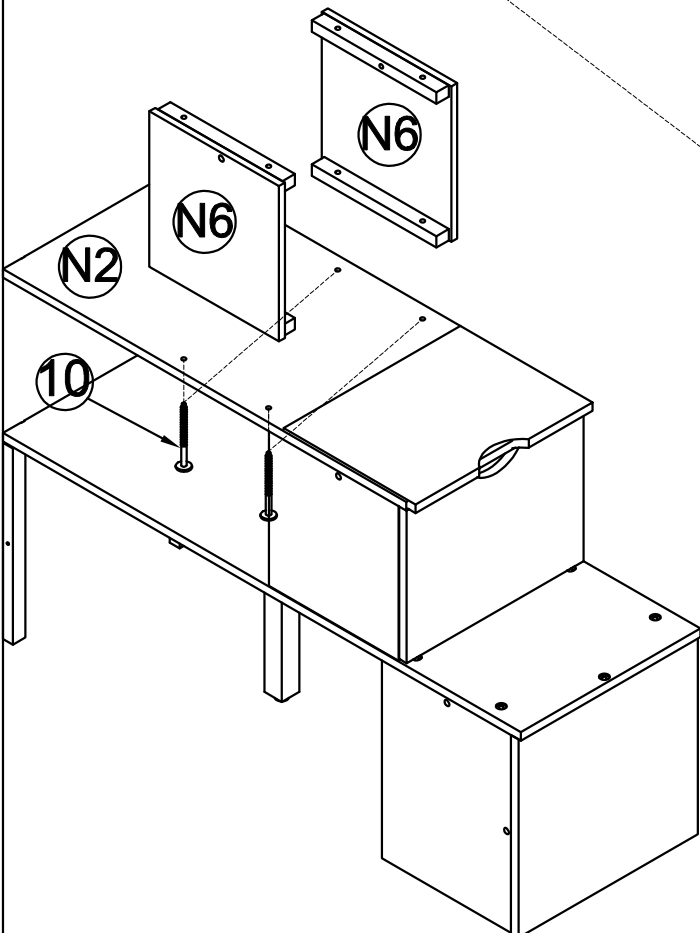
**STEP 9-5:**



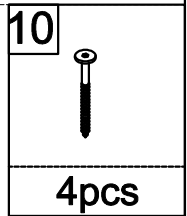
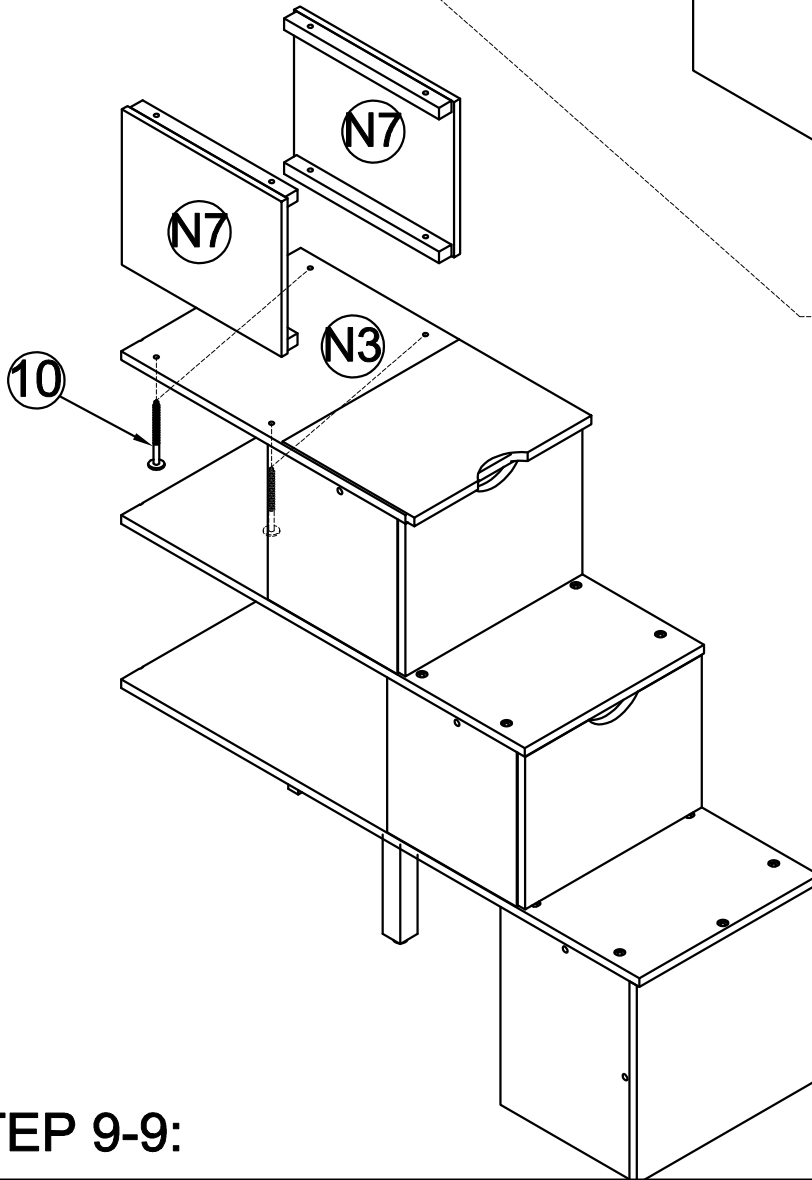
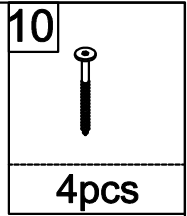
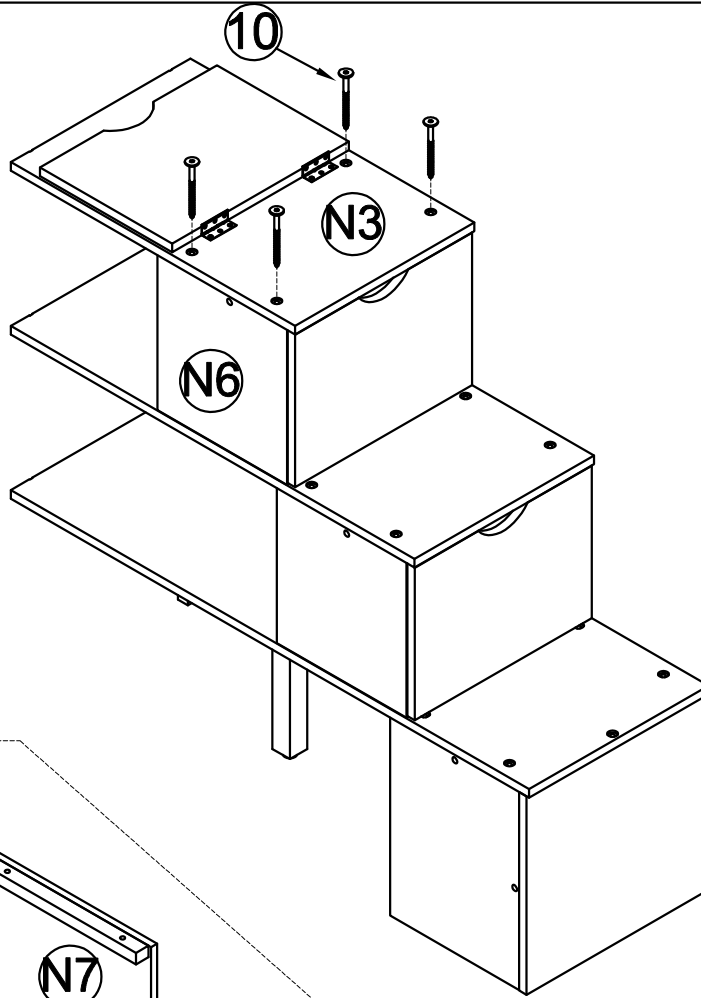
**STEP 9-6:**



**STEP 9-7:**

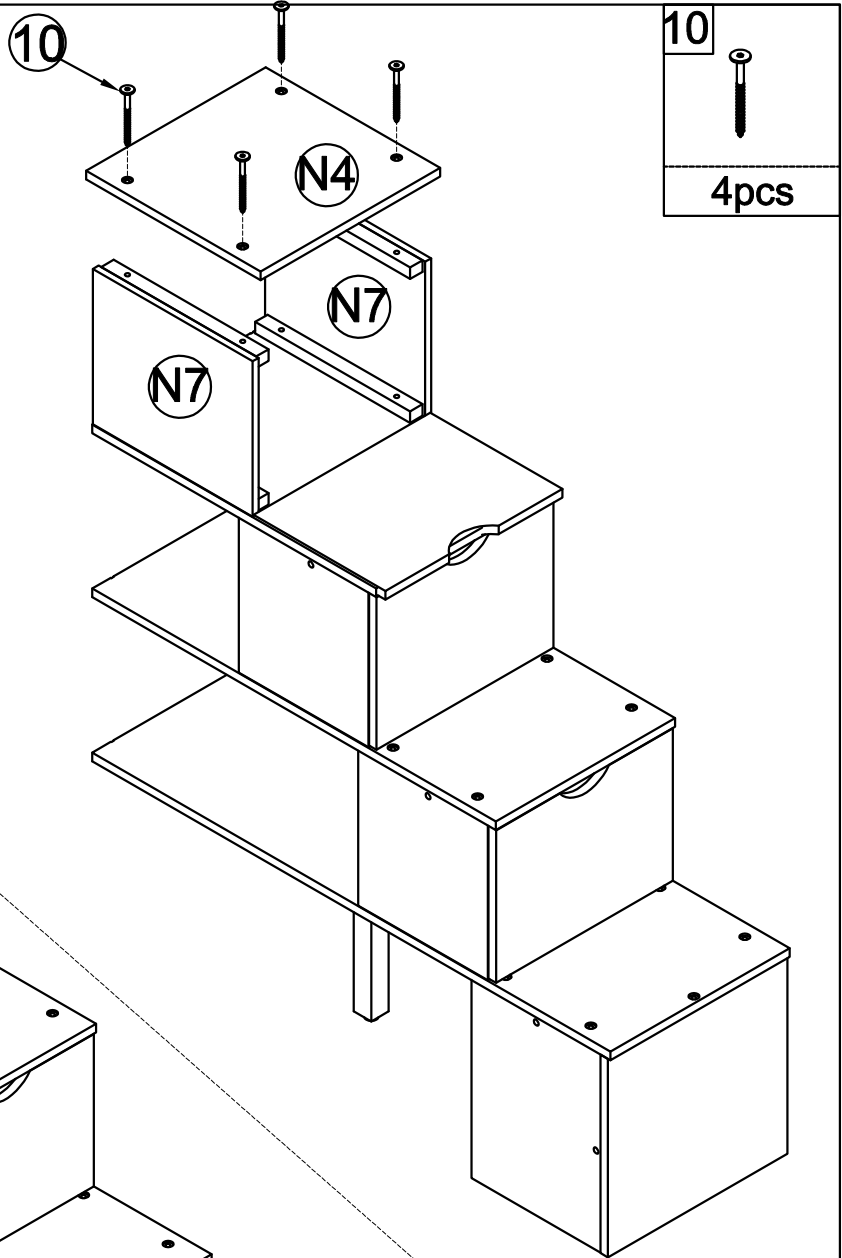


**STEP 9-8:**

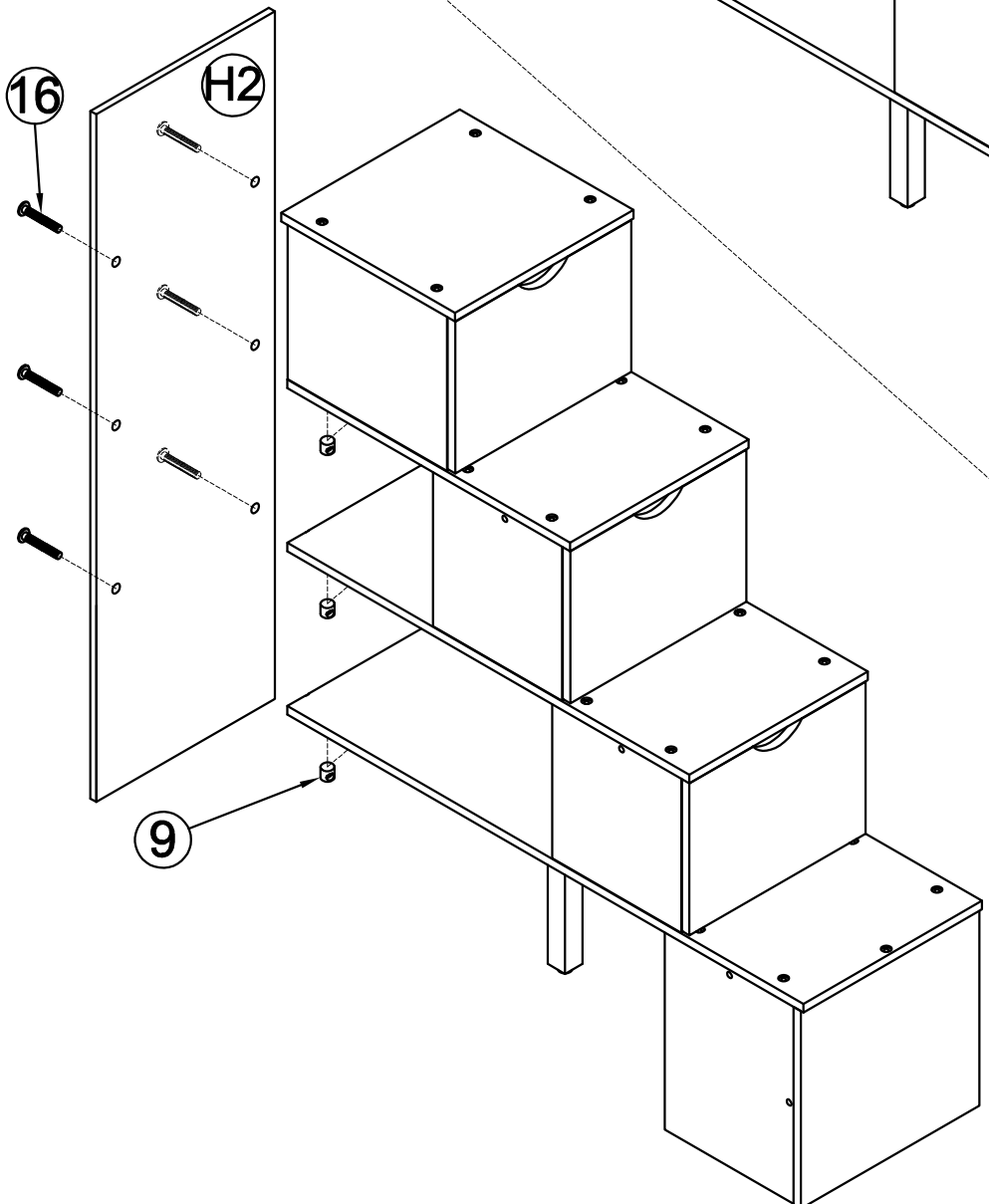


**STEP 9-9:**

# STEP 9-10:

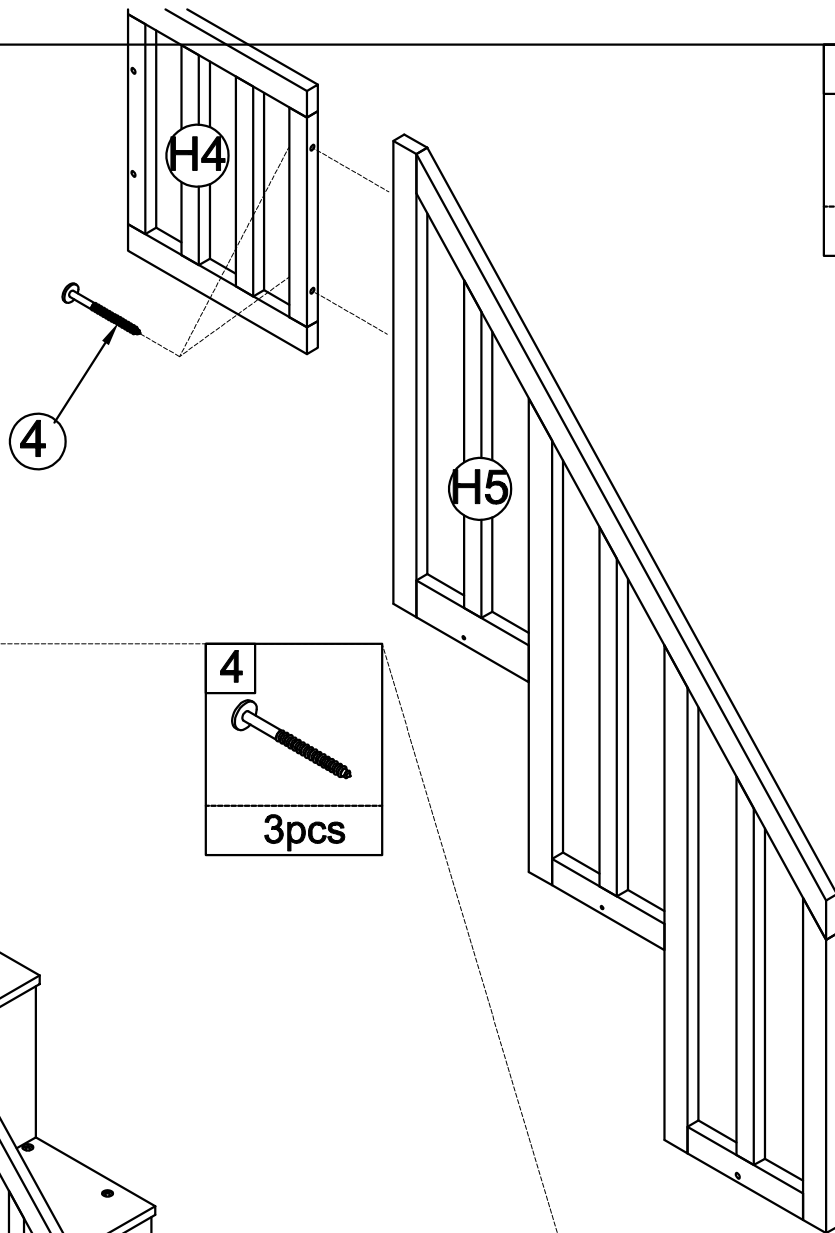


# STEP 9-11:

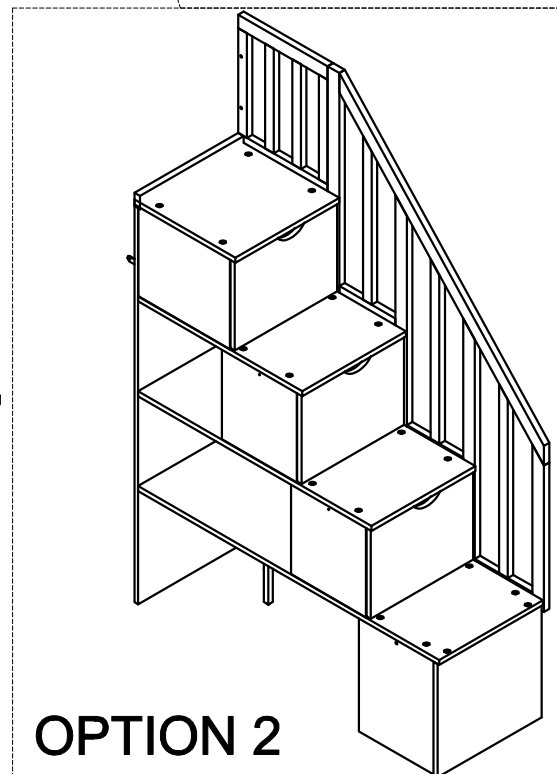
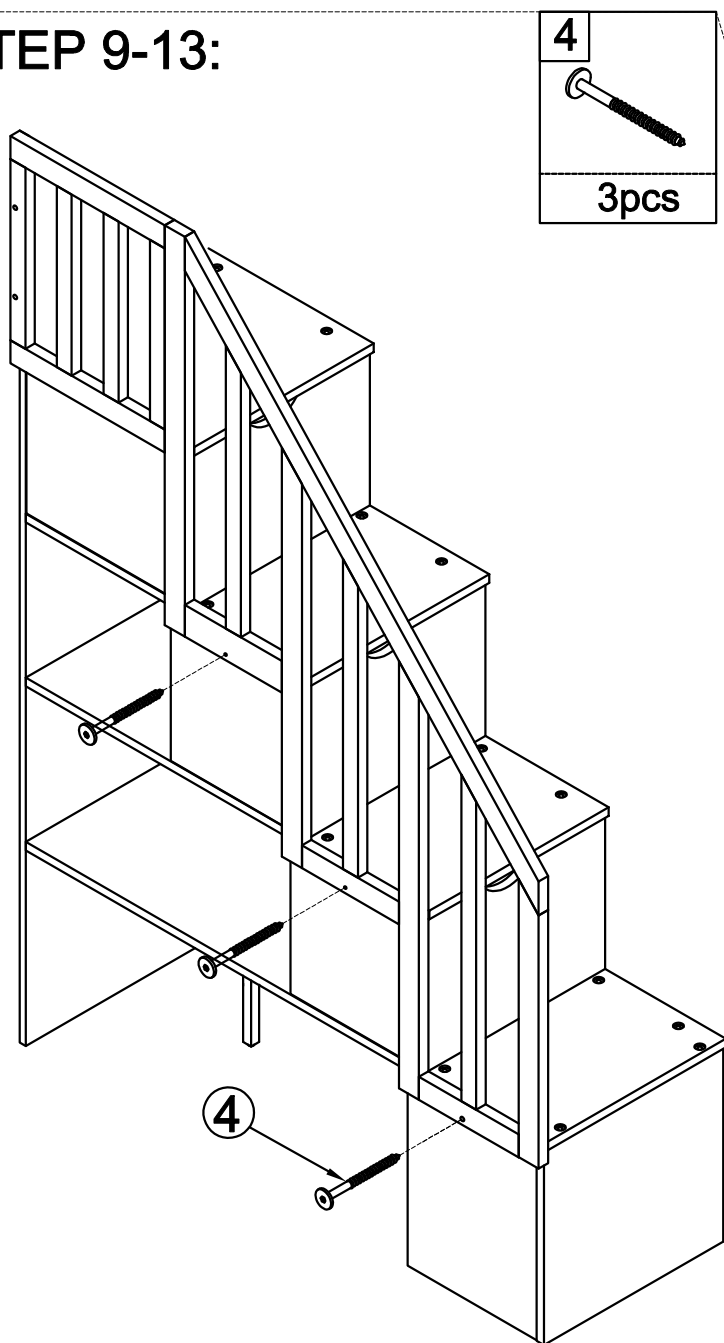


9	16
6pcs	6pcs

**STEP 9-12:**



**STEP 9-13:**




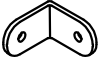


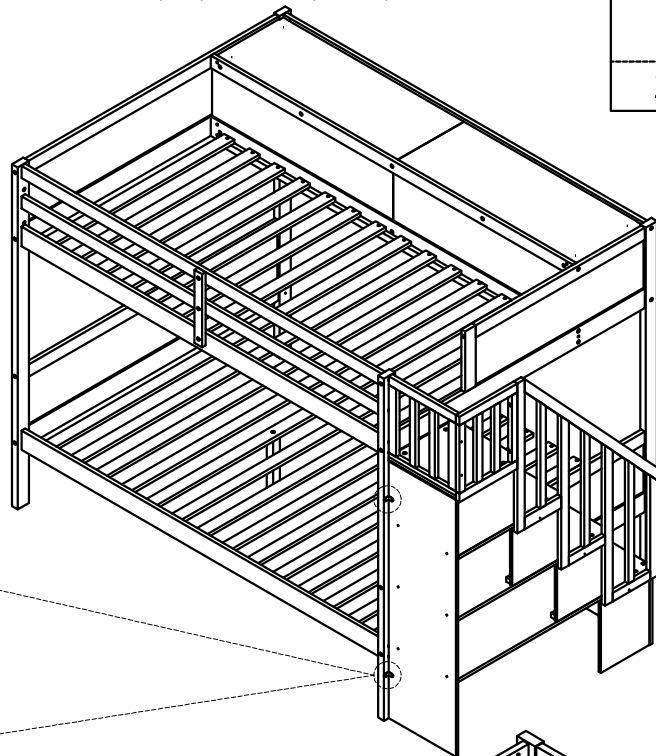
**OPTION 2**

# STEP 10: Following below illustration:

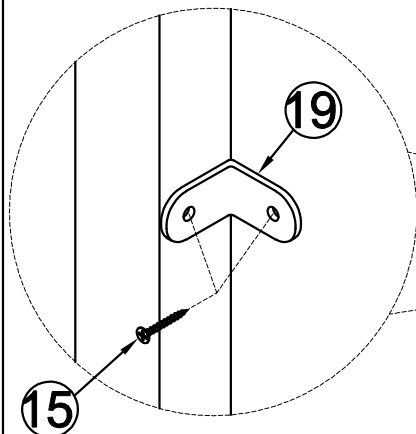
-Using hardware #4,#15,#18,#19 to Assembly H1 Frame with Frame(completed on step 8,9-13)

-Look at detail view for more detail

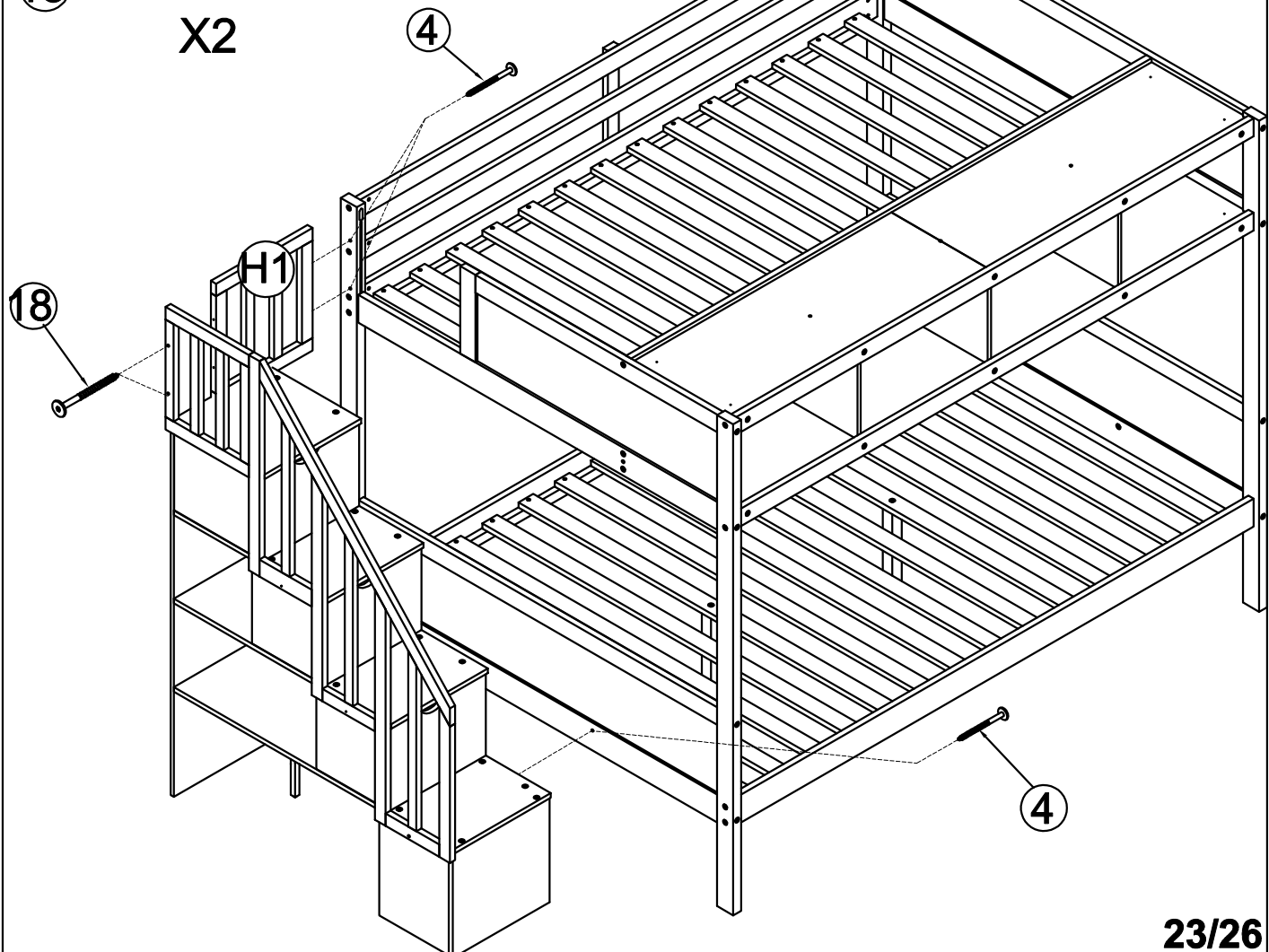
18	4
	
2pcs	3pcs
	15
	
	4pcs
	19
	
	2pcs



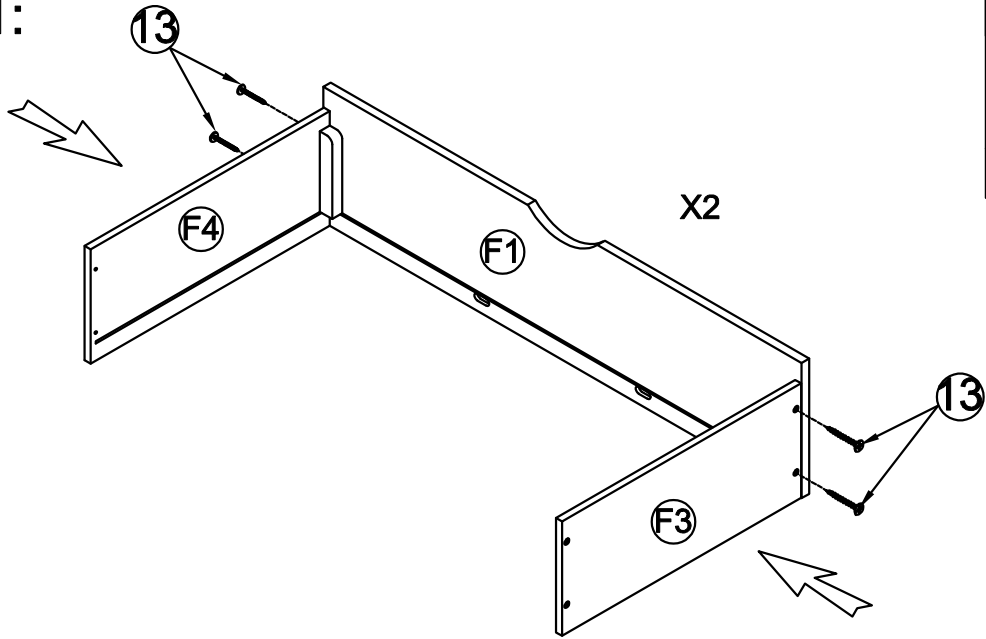
BACK VIEW

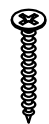


X2

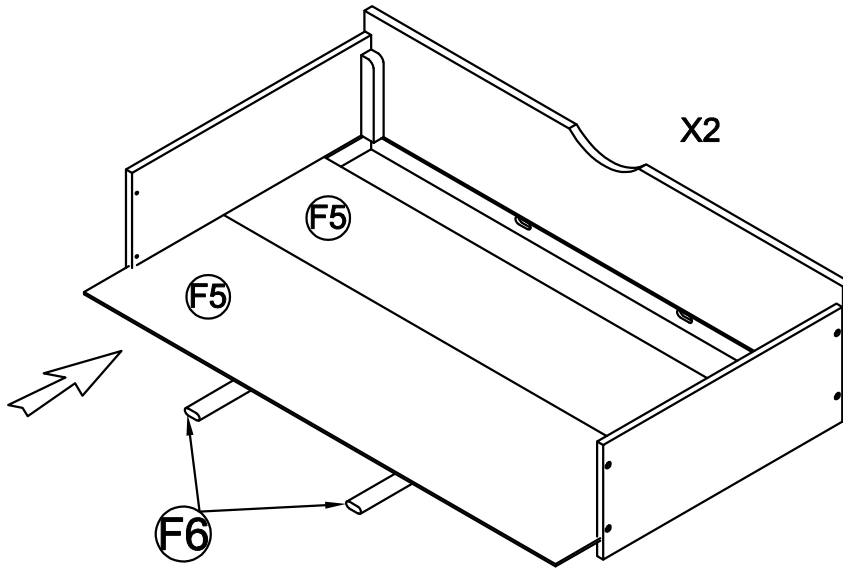


**STEP 11-1:**

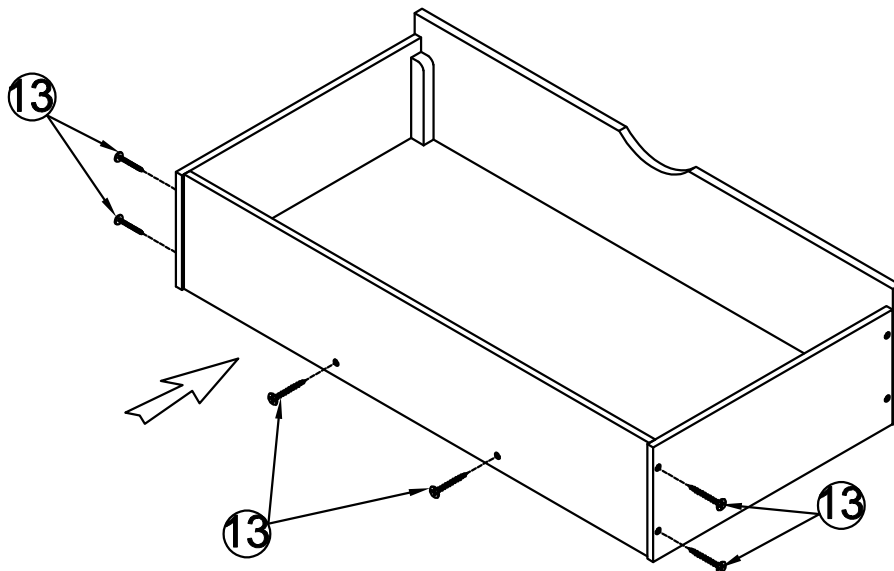



13	
4x2pcs	

**STEP 11-2:**





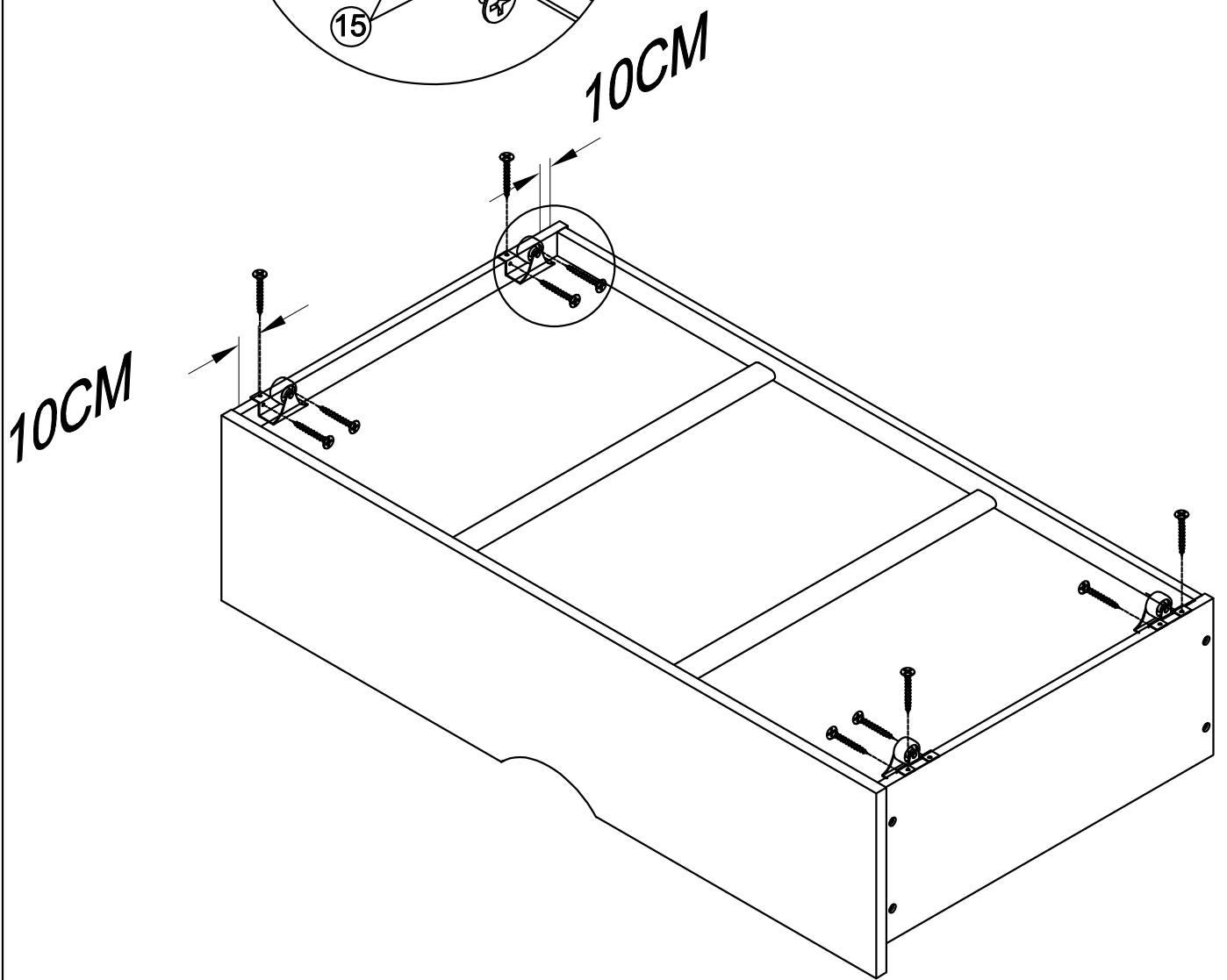
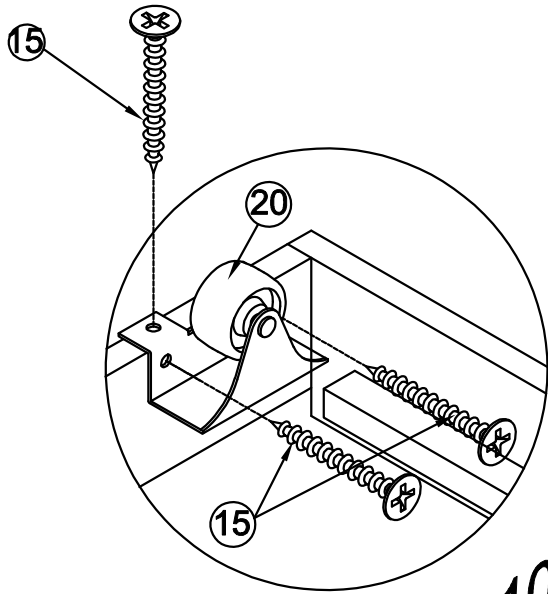
**STEP 11-3:**



13	
6x2pcs	

STEP 11-4:

20	15
	
2x4pcs	2x12pcs



# STEP 12: CONGRARULATION. YOU HAVE COMPLETED THE BED.

just one more step to push 2 Drawer into it position

