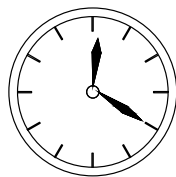
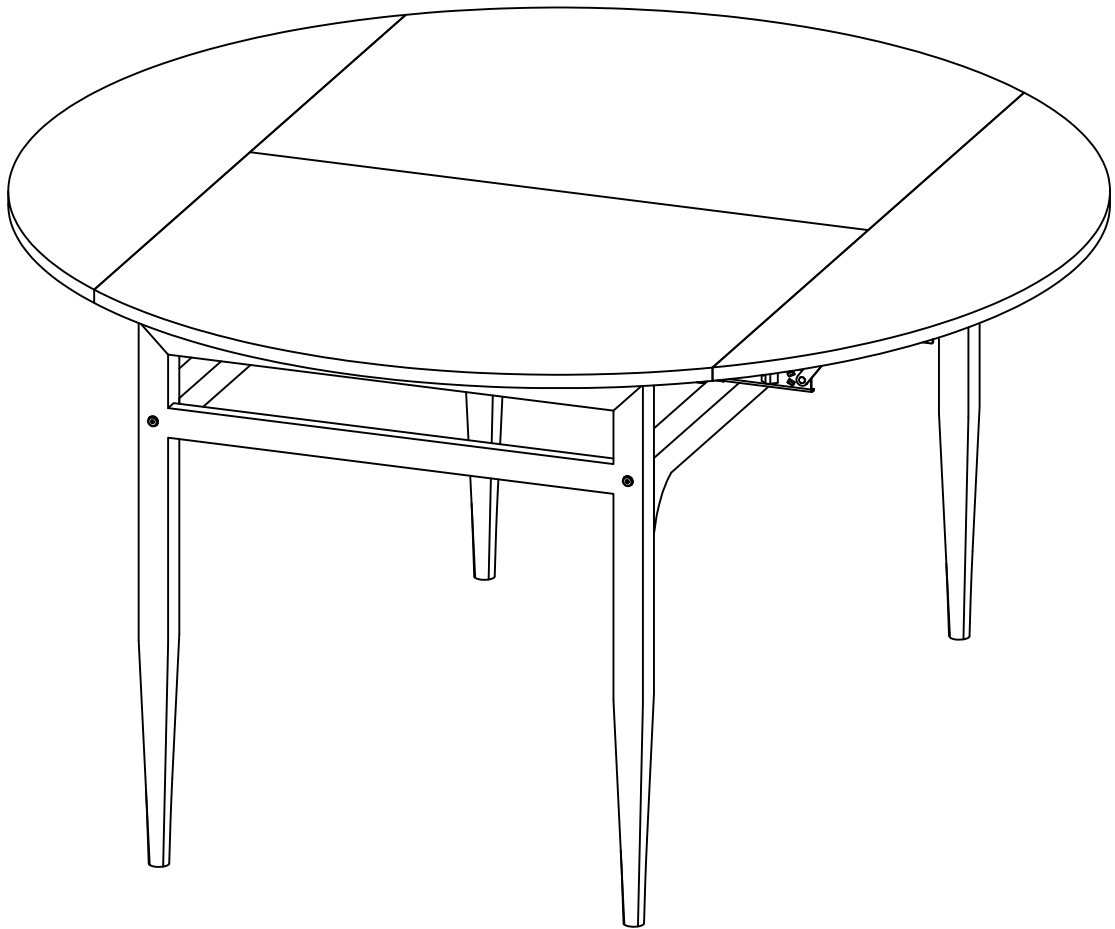
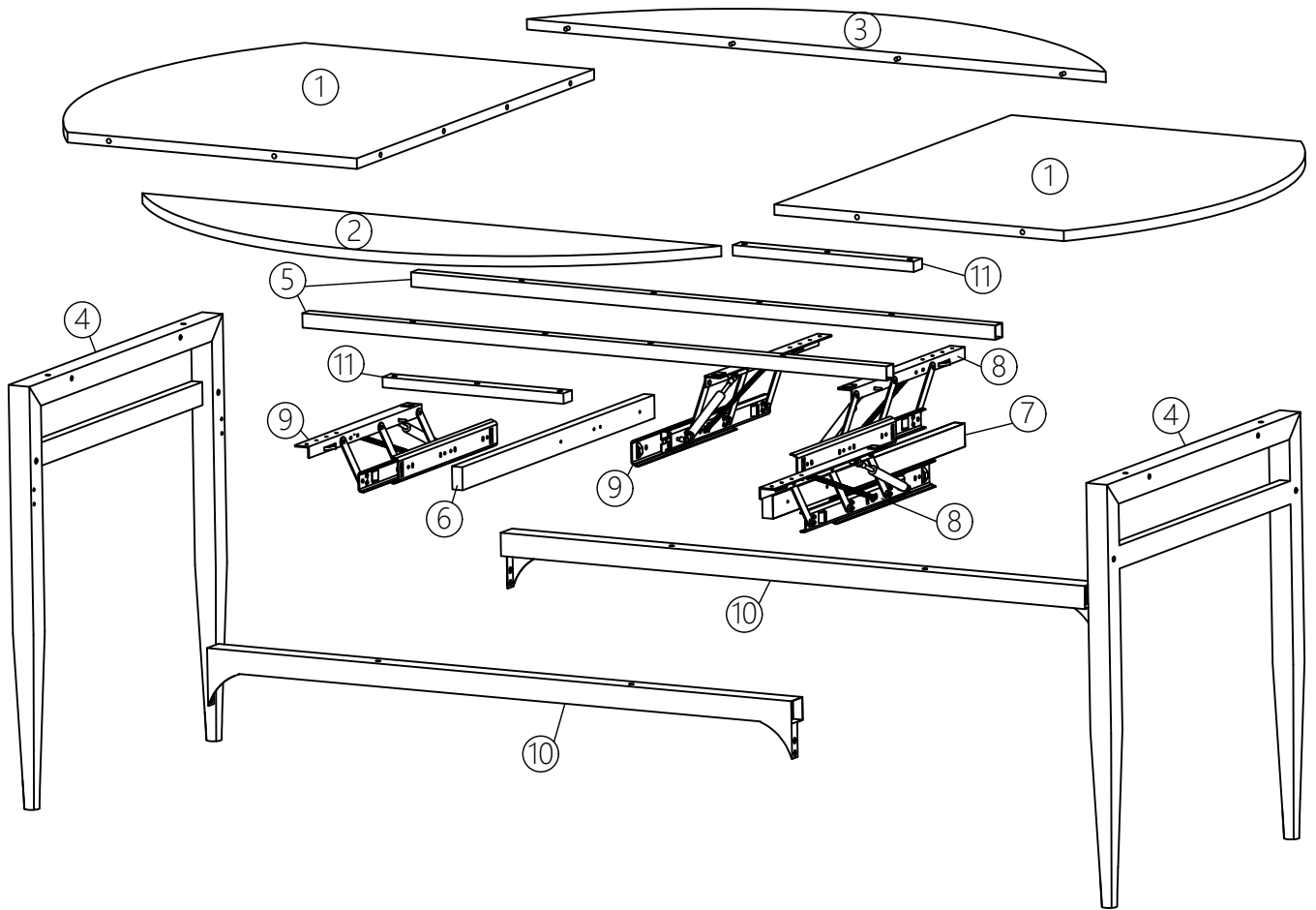


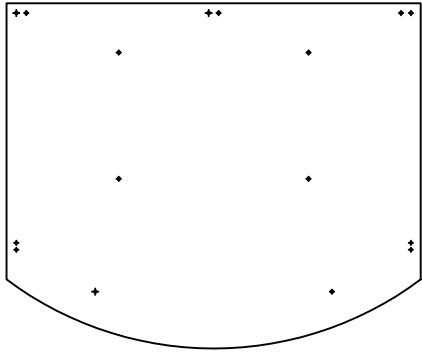
ASSEMBLY INSTRUCTION



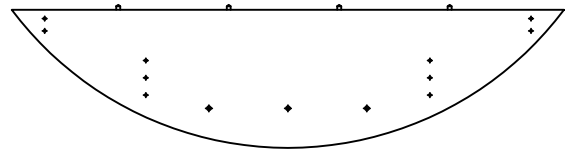


(A)	x 4+1	(B)	x 8+1	(C)	x 8+1	(D)	x 6+1	(E)	x 8+1	(F)	x 12+1
M6x65		M6x50		M6x35		M6x25		M6x12		M6x12	
(G)	x4+1	(H)	x 44+2	(I)	x 1	(J)	x 1	(K)	x 3	(L)	x 4
M8x60		M4x14		M4		M5		50x60			
(M)	x 4	(N)	x 8								
Ø8x30		Ø19x1.5									

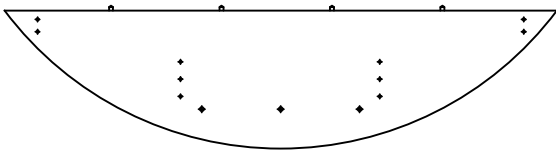
① x2pcs



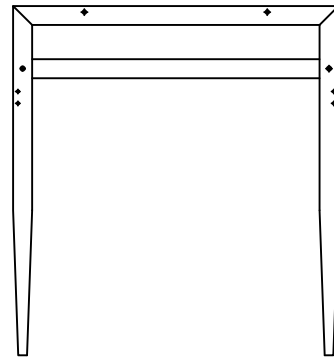
② x1pc



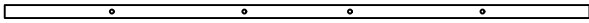
③ x1pc



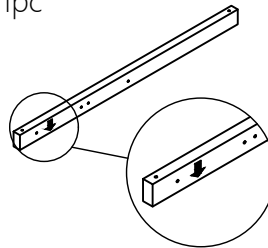
④ x2pcs



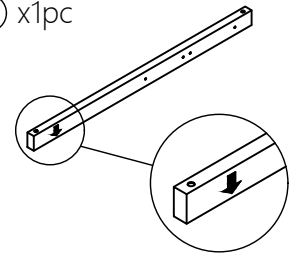
⑤ x2pcs



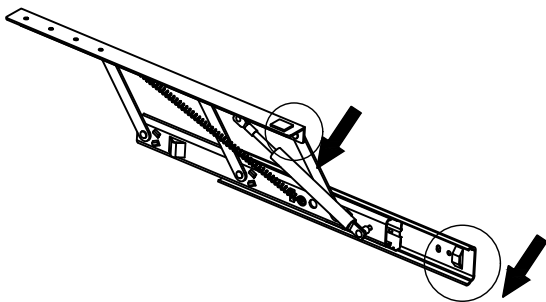
⑥ x1pc



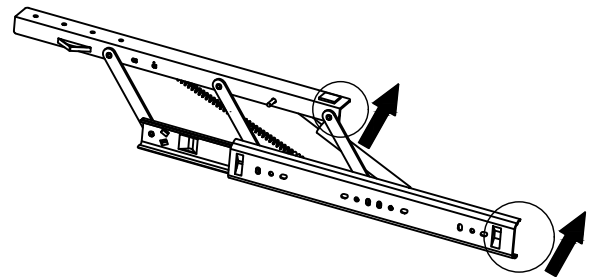
⑦ x1pc



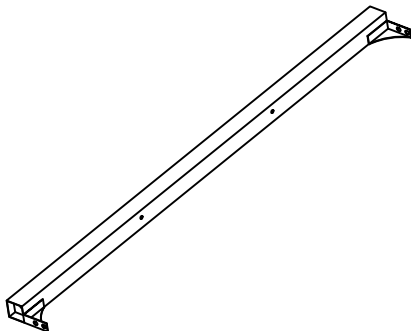
⑧ x2pcs



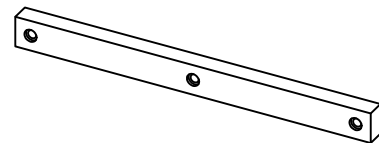
⑨ x2pcs

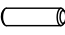


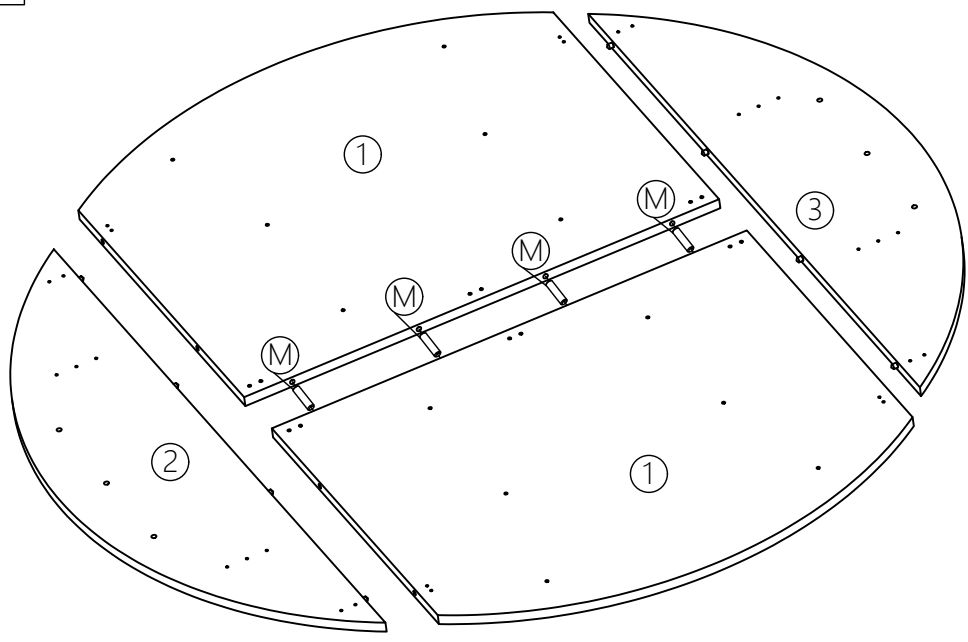
⑩ x2pcs



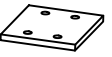


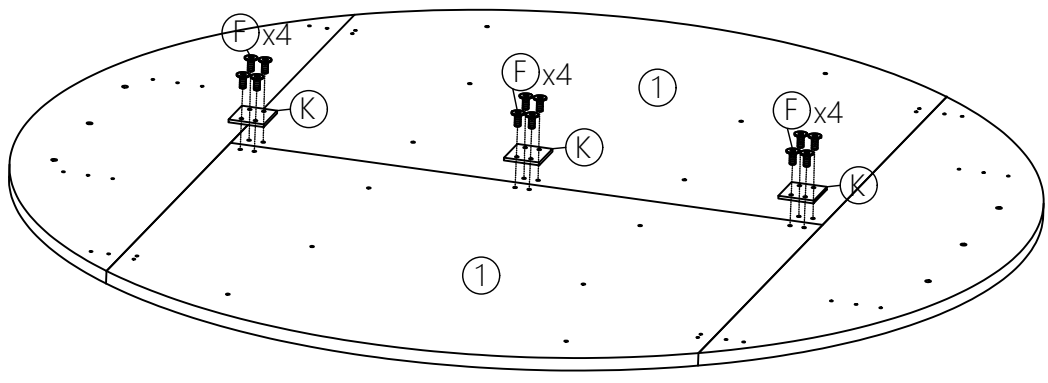
⑪ x2pcs



1	(M)	x 4
		
<p>∅8X30</p>		



2	(F)	x 12	(I)	x 1	(K)	x 3
						
<p>M6x12</p>		<p>M4</p>		<p>50x60</p>		



3

(H)

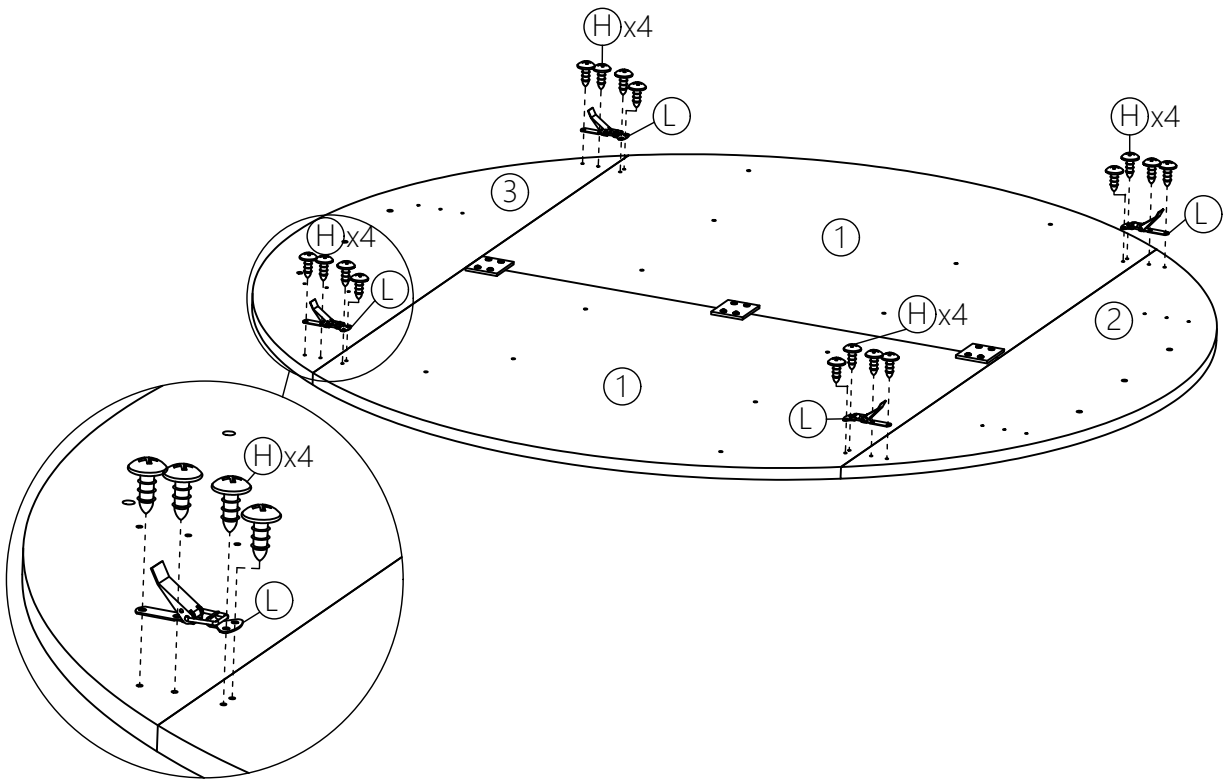
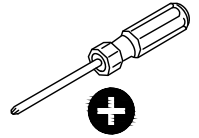
x 16

(L)

x 4



M4x14



4

(D)

x 6

(I)

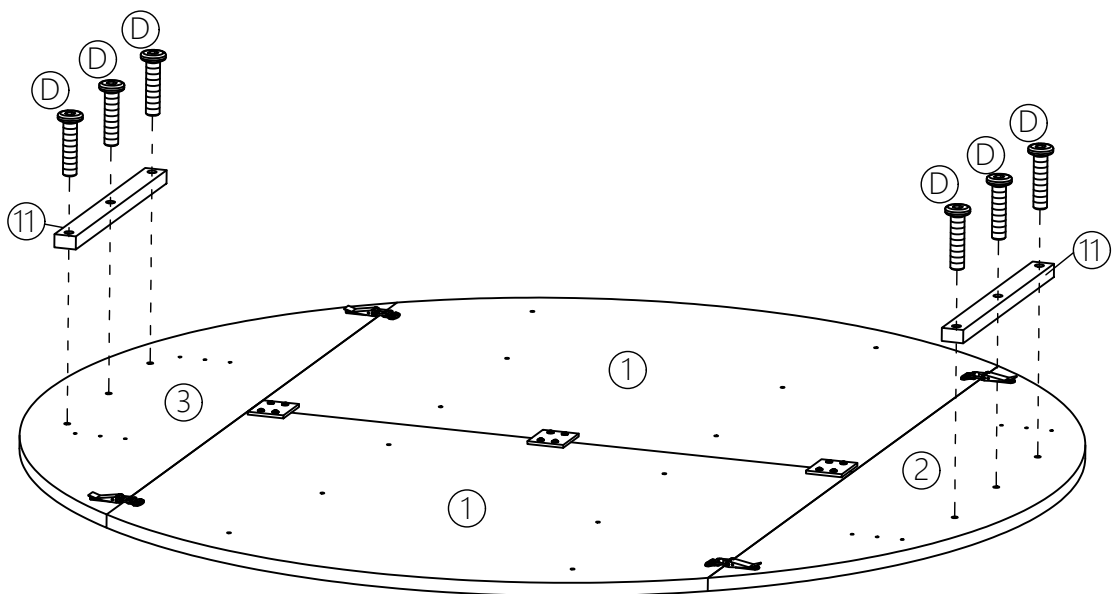
x 1

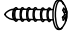


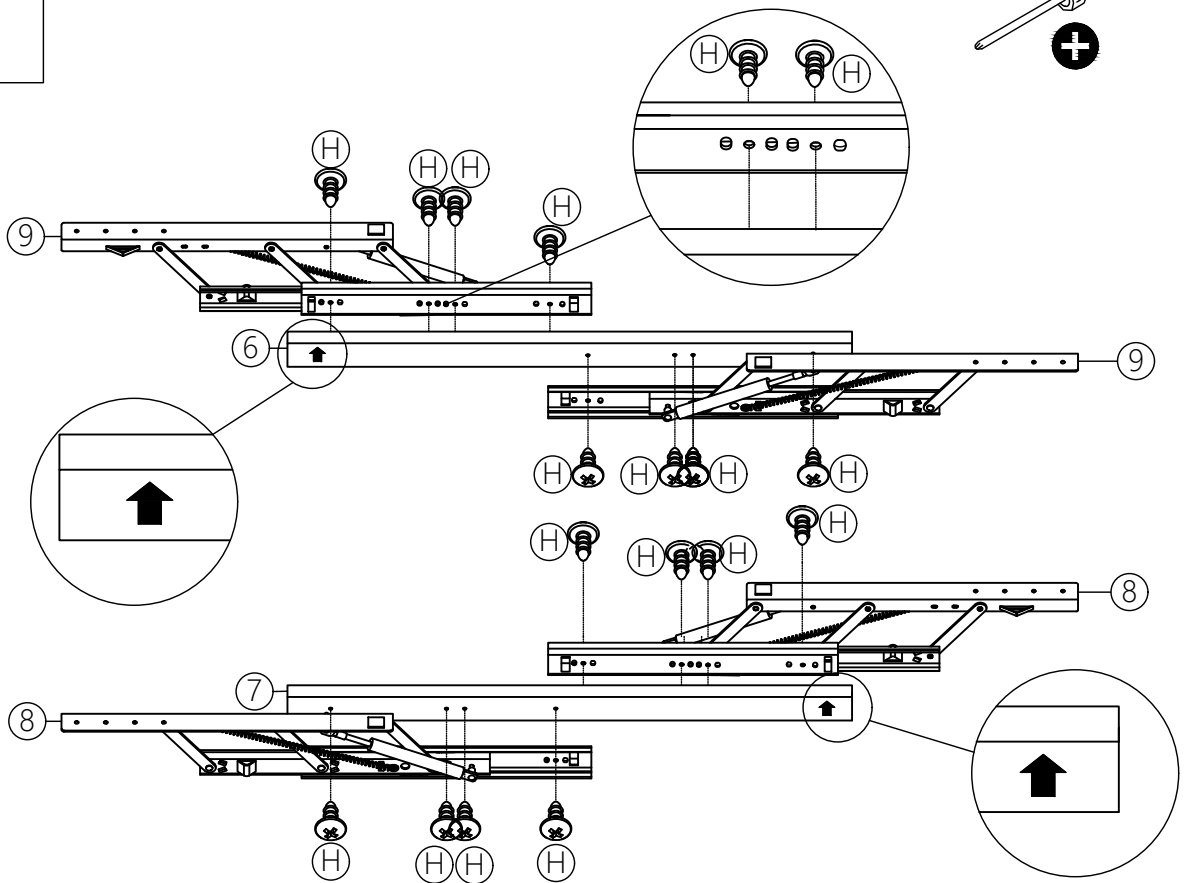
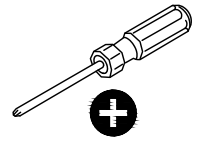
M6x25






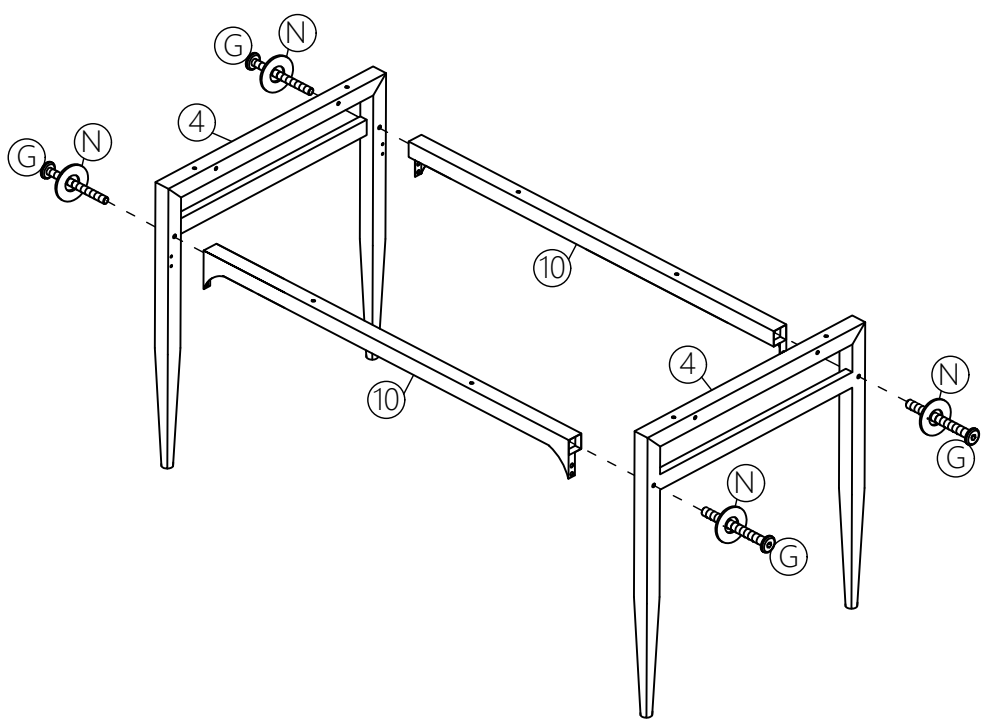
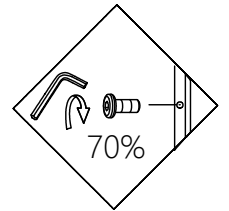
M4

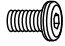



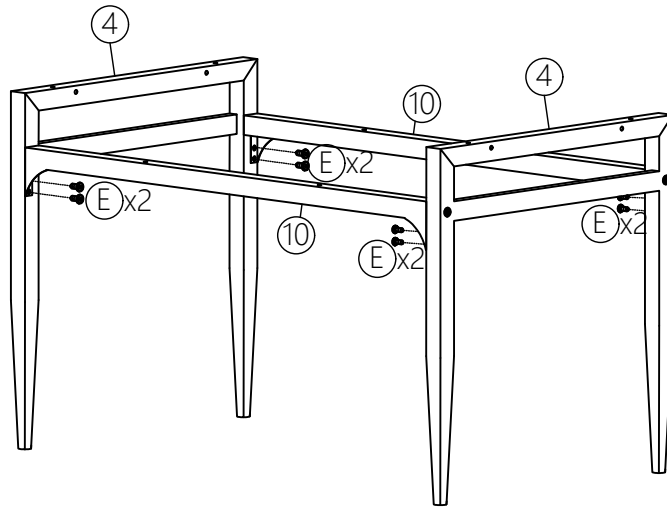
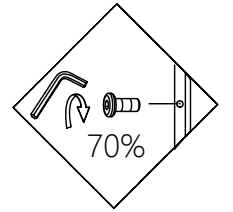
5	(H)	x 16
 M4x14		





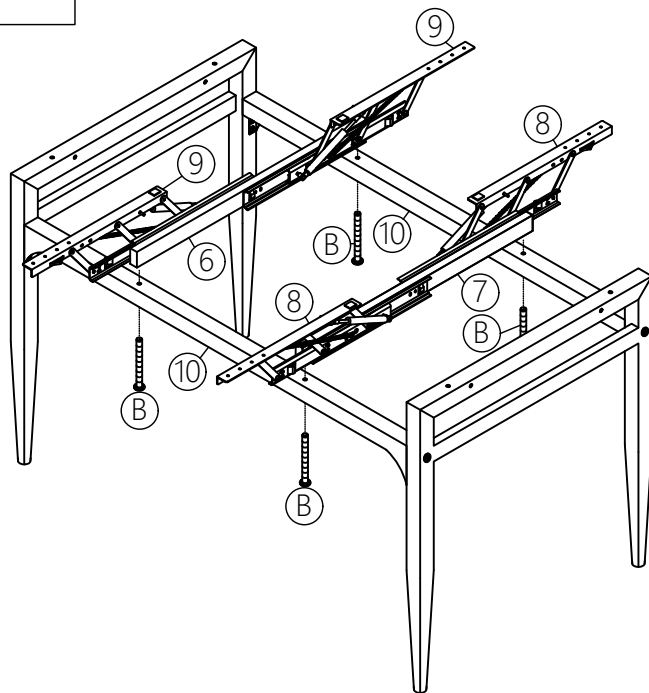
6	(G)	x 4	(J)	x 1	(N)	x 4
 M8x60		 M5		 $\phi 19 \times 1.5$		






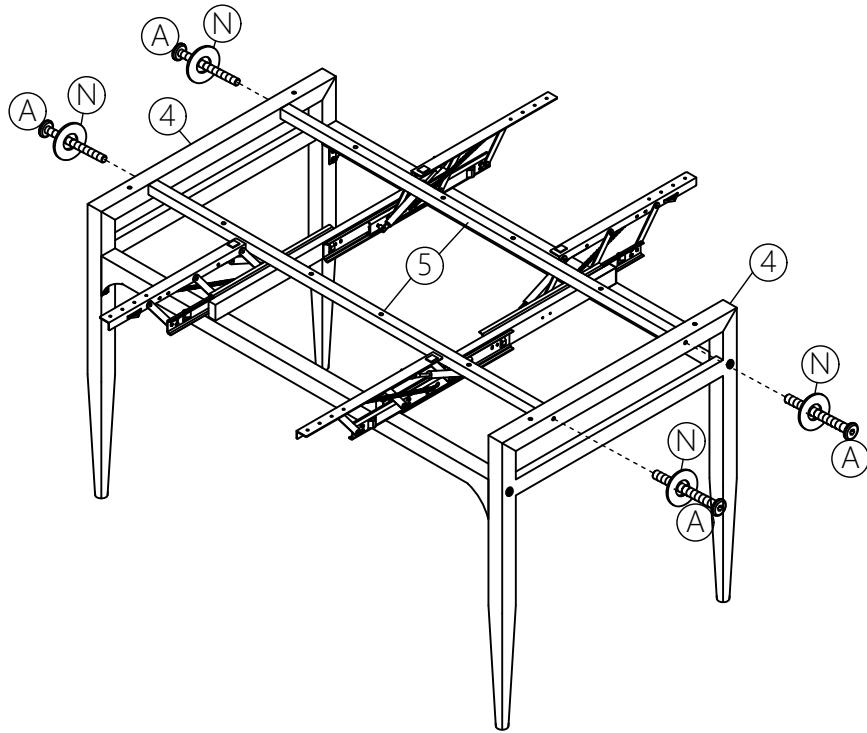
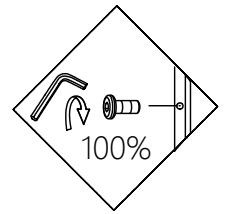
7	Ⓔ	x 8	Ⓘ	x 1
				
	M6x12		M4	

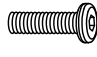



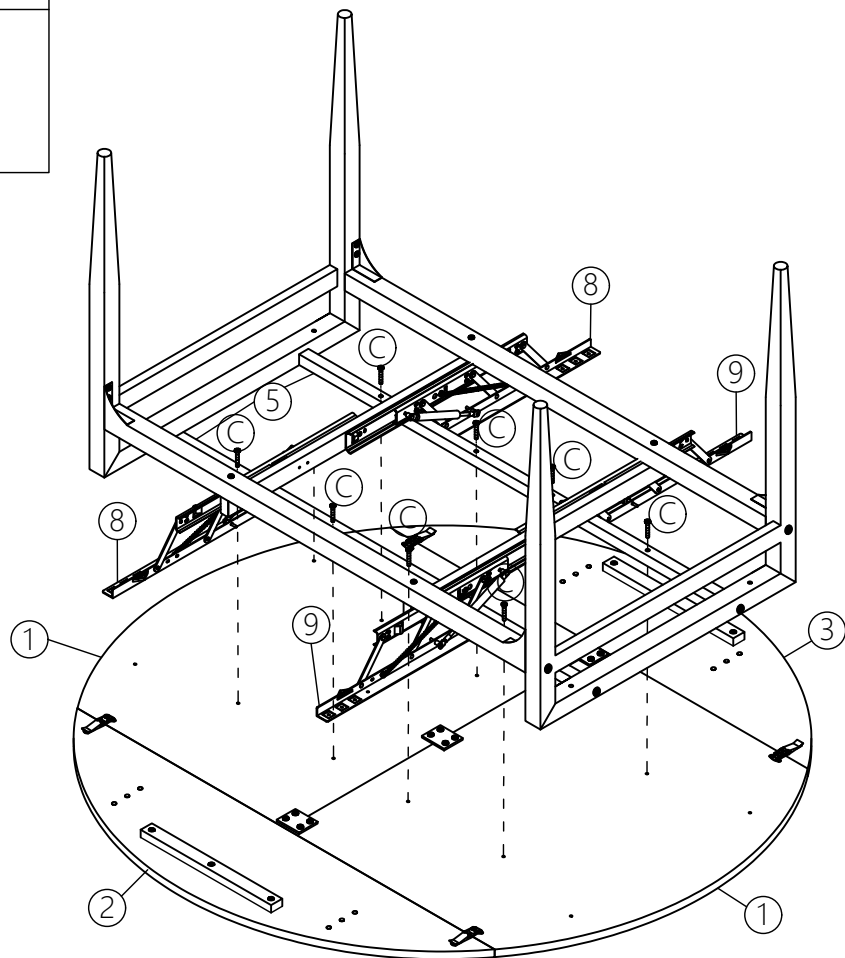
8	Ⓑ	x 4	Ⓘ	x 1
				
	M6x50		M4	



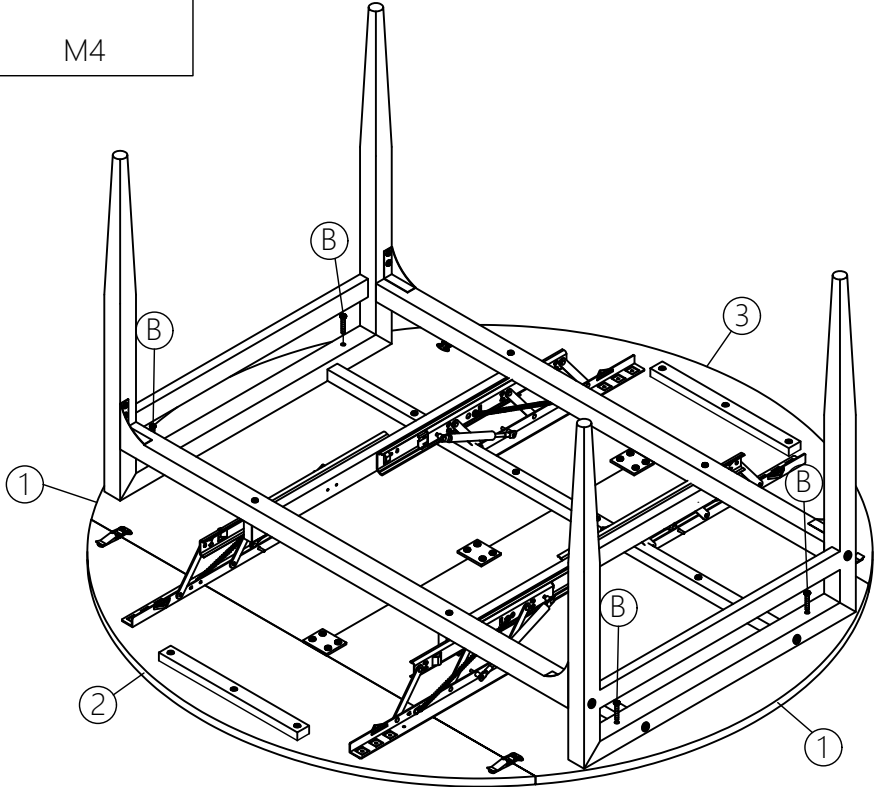
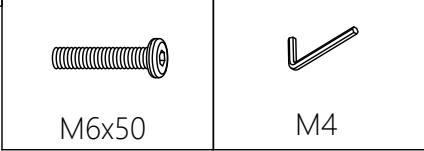
9	(A)	x 4	(I)	x 1	(N)	x 4
						
	M6x65		M4		∅19x1.5	



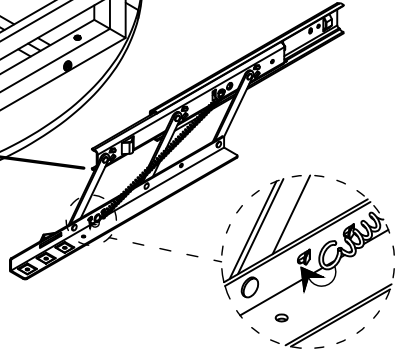
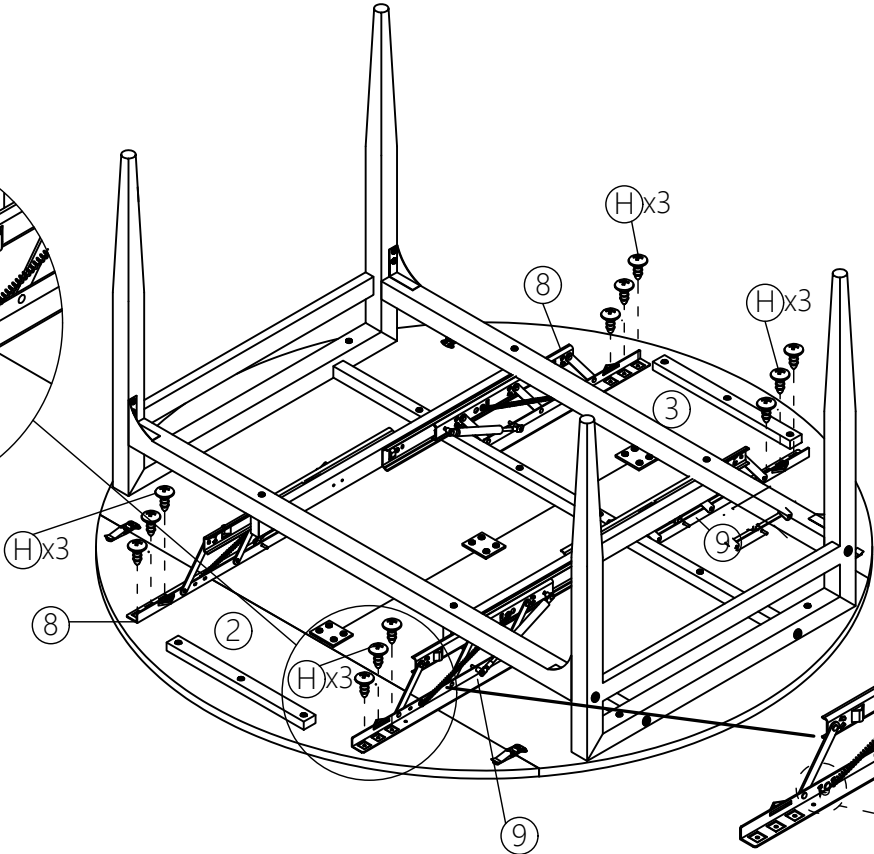
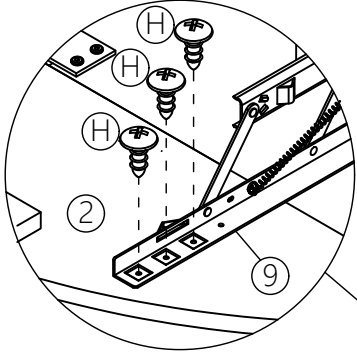
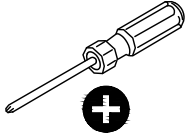
10	(C)	x 8	(I)	x 1
				
	M6x35		M4	



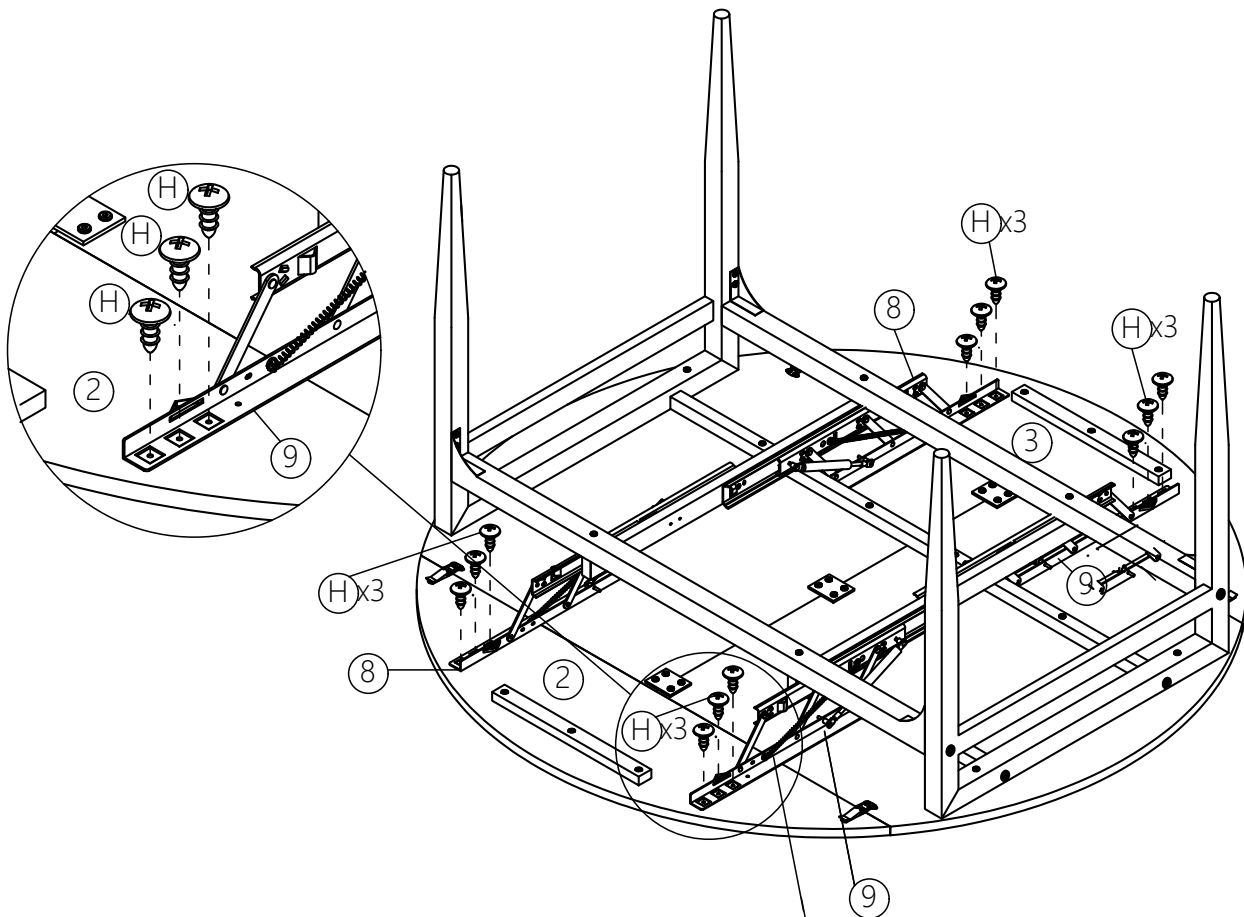
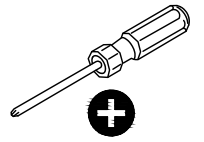
11 (B) x 4 (I) x 1



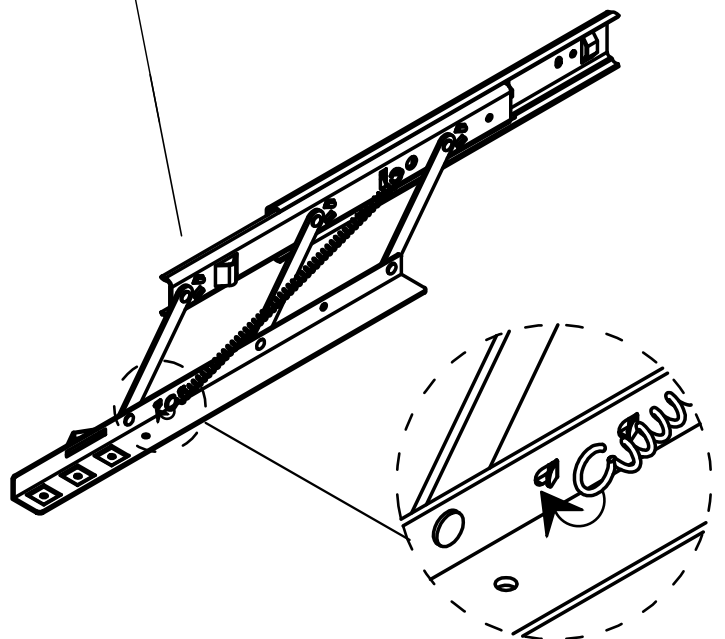
12 (H) x 12




Steps for installing springs

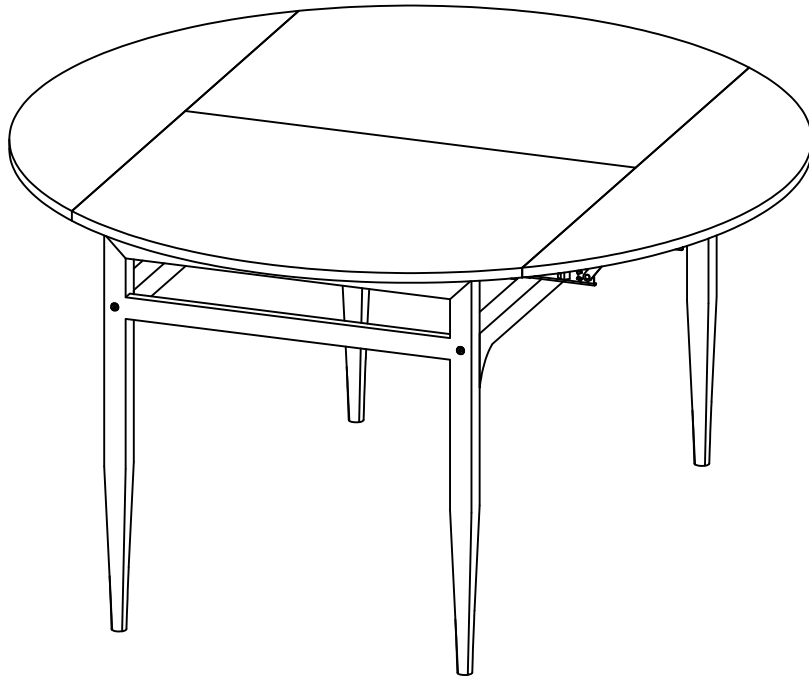


Note: Before tightening the screw, please hang the spring on the protruding part of the sliding rod side.



(H)	x 12
	
M4x14	

13



14

