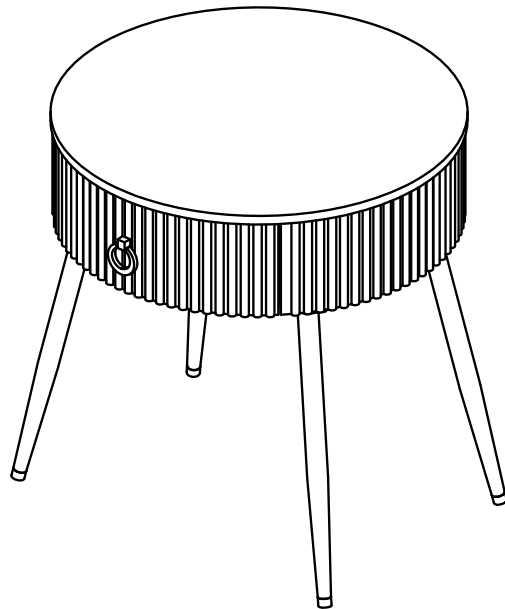
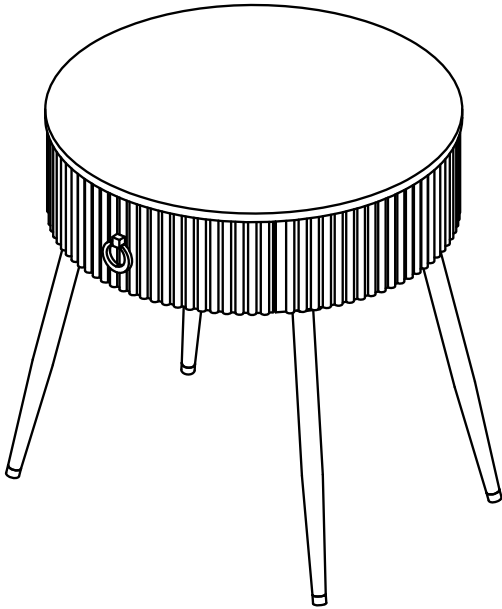


# COFFEE TABLE

N721LQ0ET0815

Assembly Instructions - Please keep for future reference



## Dimensions

Width-19.69inch  
Depth-19.69inch  
Height-20.47 inch

Important – Please read these instructions fully before starting assembly



# Safety and Care Advice

**Important – Please read these instructions fully before starting assembly**

- Check you have all the components and tools listed on the following pages.
- Remove all fittings from the plastic bags and separate them into their groups.
- Keep children and animals away from the work area, small parts could choke if swallowed.
- Make sure you have enough space to layout the parts before starting.

- During assembly do not stand or put weight on the product, this could cause damage.
- Assemble the item as close to its final position (in the same room) as possible.
- Assemble on a soft level surface to avoid damaging the unit or your floor.
- Parts of the assembly will be easier with 2 people.



power drill is set on a low torque setting.

- To reduce the likelihood of damaging your product please ensure that your

## Care and maintenance

- Only clean using a damp cloth and mild detergent, do not use bleach or abrasive cleaners.
- From time to time check that there are no loose screws on this unit.
- This product should not be discarded with household waste. Take to your local authority waste disposal centre.

## Handy Hints

- Assemble all parts and bolts loosely during assembly, only once the product is complete should you fully tighten the bolts
- Regularly check and ensure That all bolts and fittings are tightend properly.

**WARNING**  
**In order to help prevent overturning – please follow these instructions**


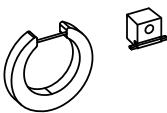

To help prevent product toppling over please follow the below steps:-

- Use the anti tip stap or wall fixing method provided (if applicable)
- Do not allow children to climb or hang on the furniture
- Do not open more than one drawer at a time
- Do not place heavy items in the top drawers
- Do not place heavy items on top of the furniture, unless the furniture has been designed for this purpose

# Components - Fittings

Please check you have all the panels listed below

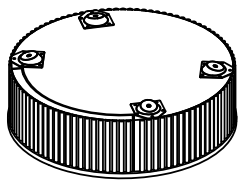

Note: The quantities below are the correct amount to complete the assembly. In some cases more fittings may be supplied than are required.

 <p>M8*35mm</p>	 <p>B x2PCS</p>	 <p>M4*24mm</p>
<p>A x8PCS</p>	<p>B x2PCS</p>	<p>C x2PCS</p>

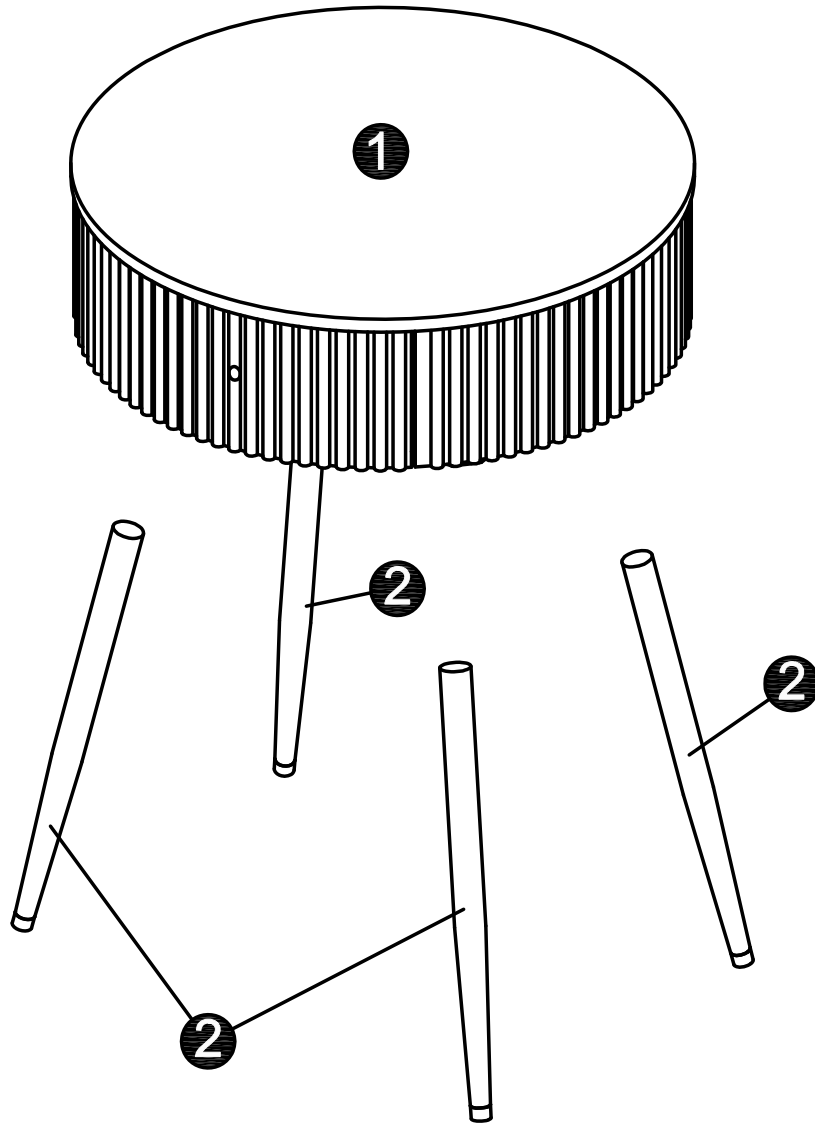
## Tools required



Hexagon wrench

	
<p>1 x2PCS</p>	<p>2 x8PCS</p>

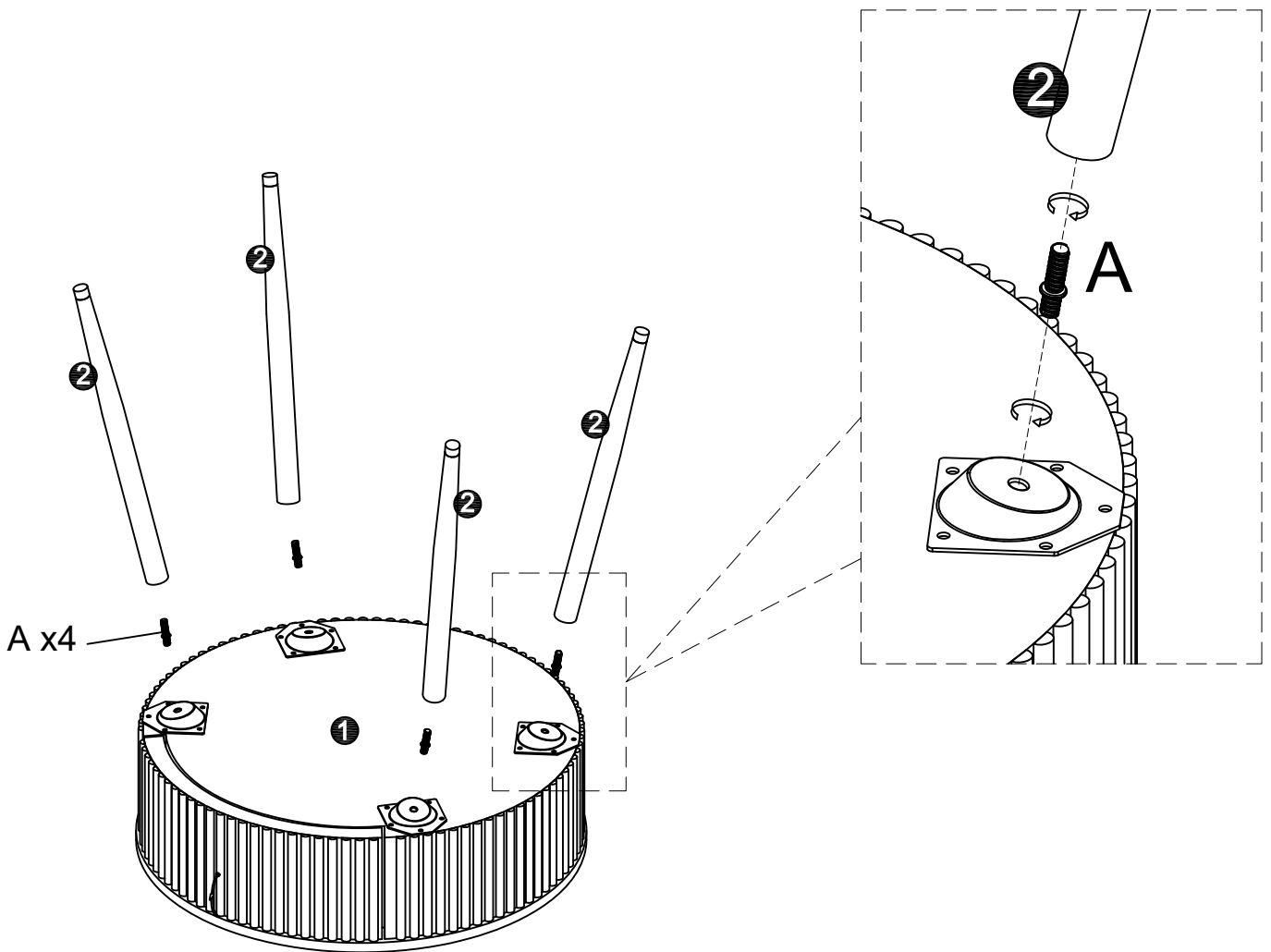
# Assembly Instructions




x2

# Assembly Instructions

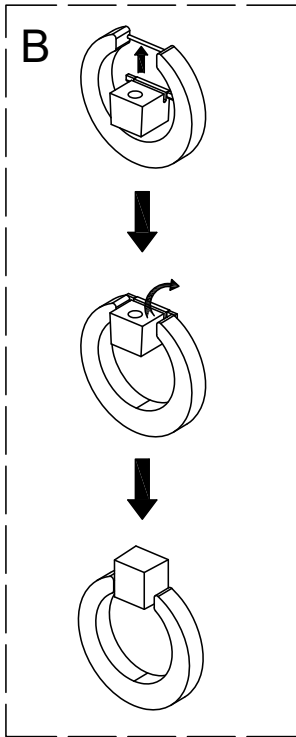
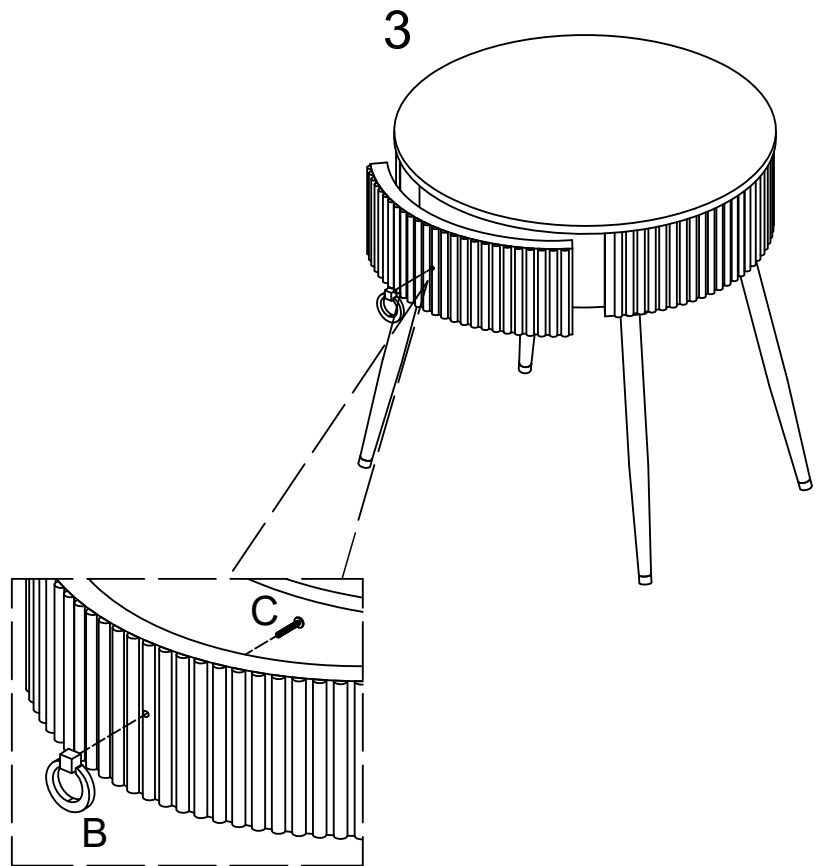
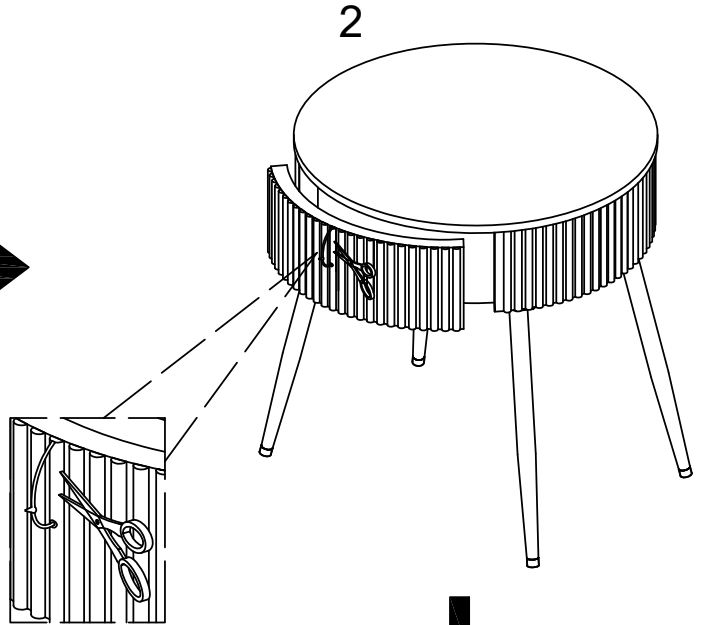
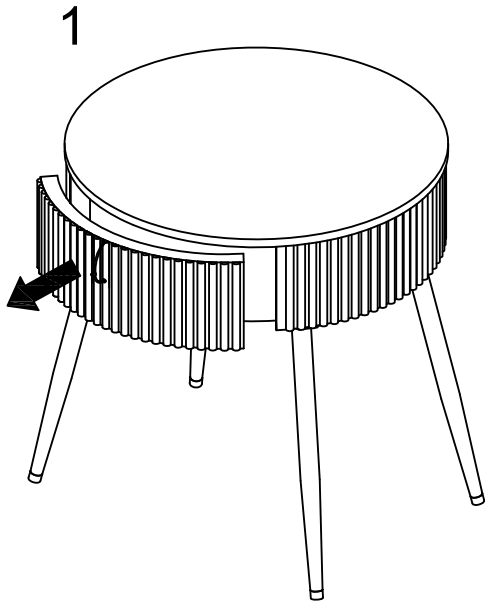
Step 1 x2





A  8PCS

# Assembly Instructions

Step 2 x2



B  2PCS  
C  2PCS

# Assembly Instructions

