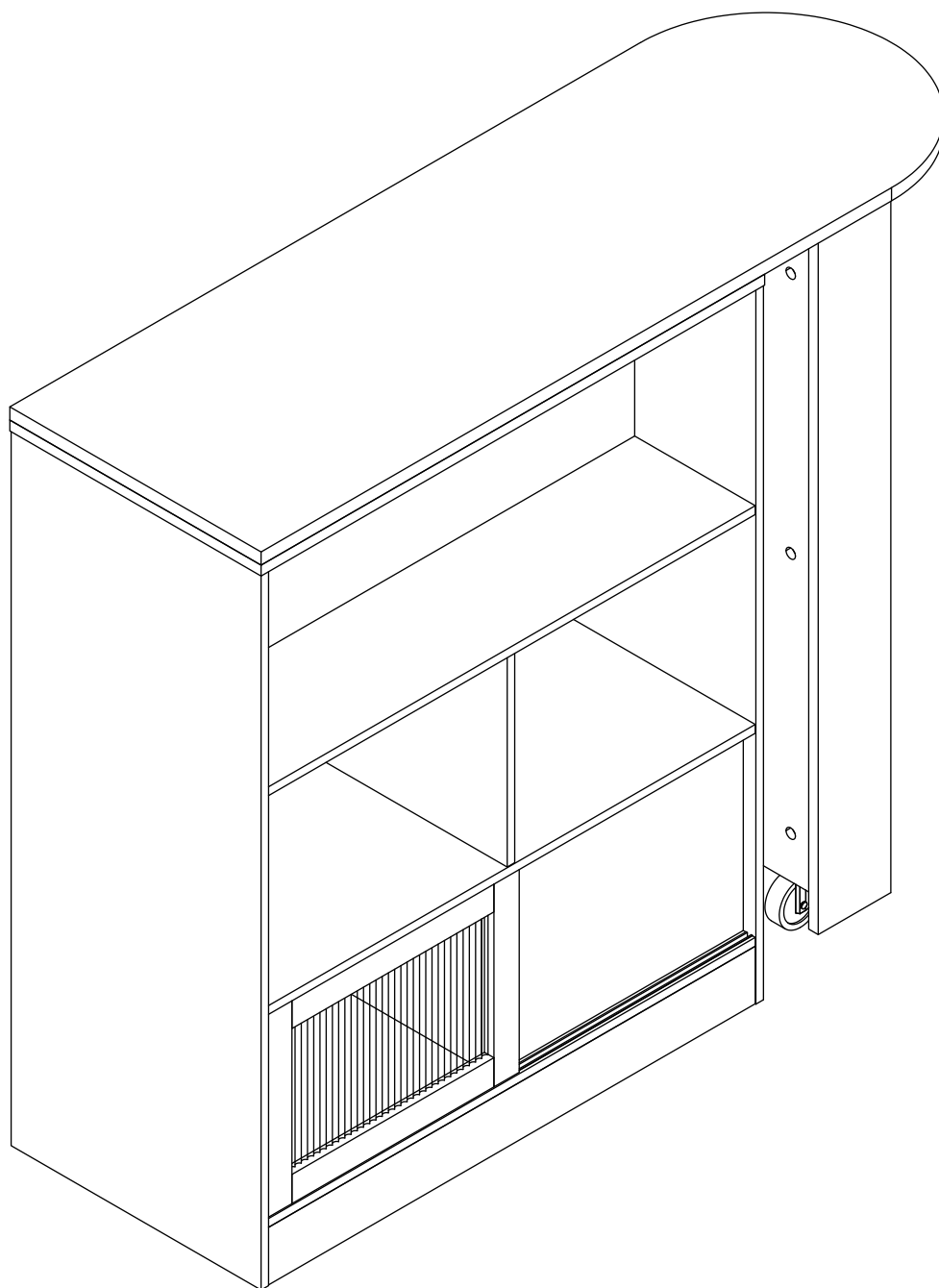
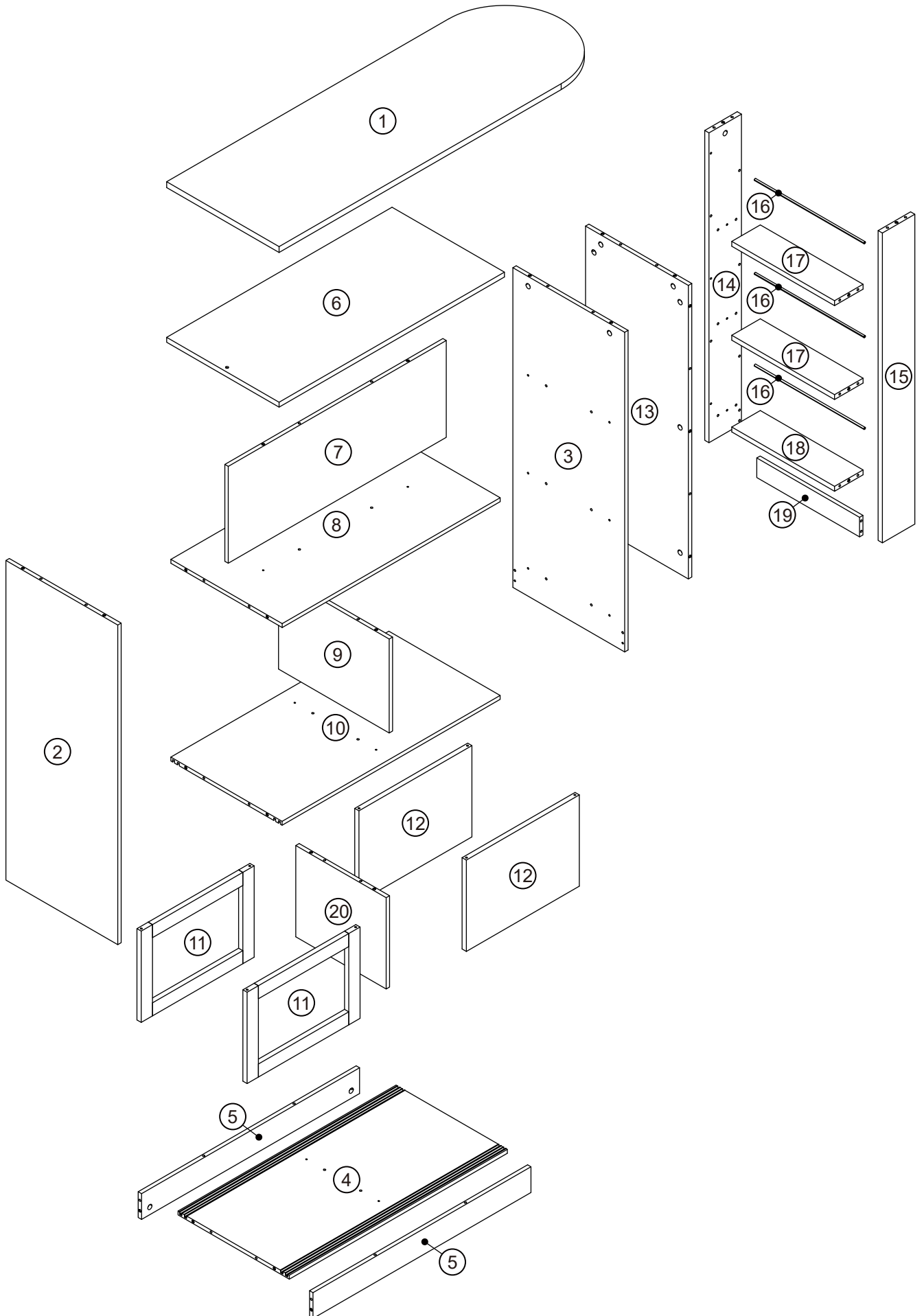


DJYC2405

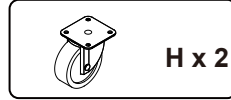
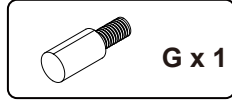
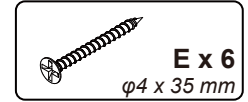
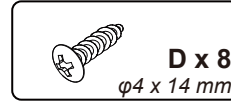
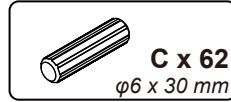
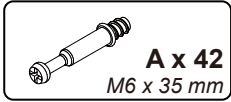
ASSEMBLY INTRODUCTION



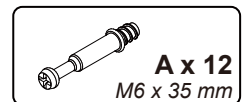
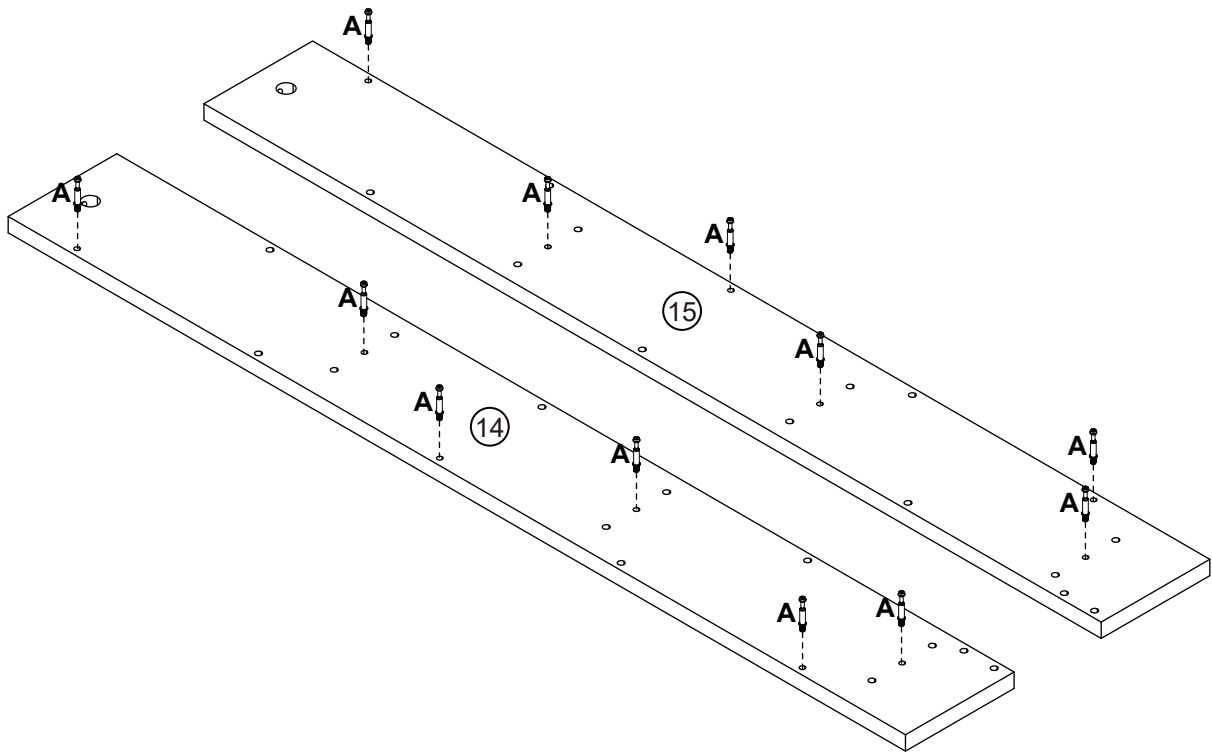
Exploded View



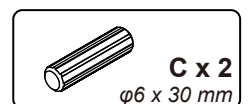
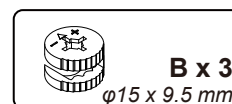
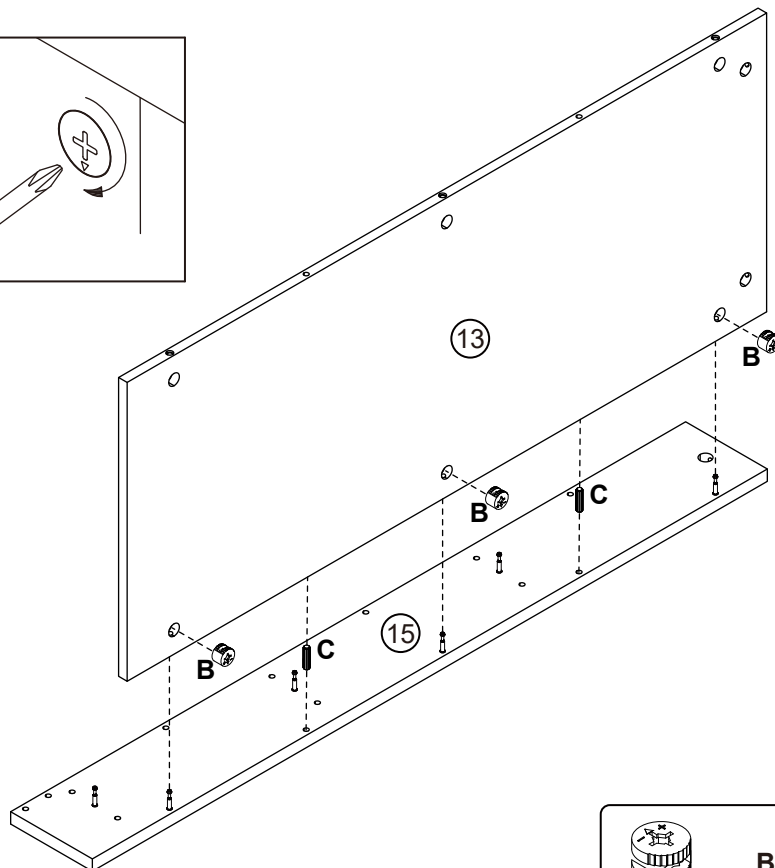
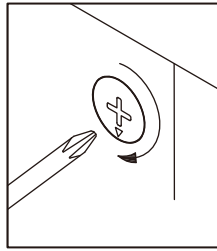
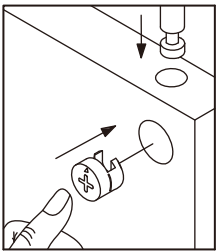
Fittings



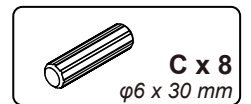
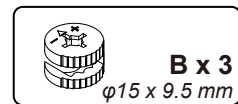
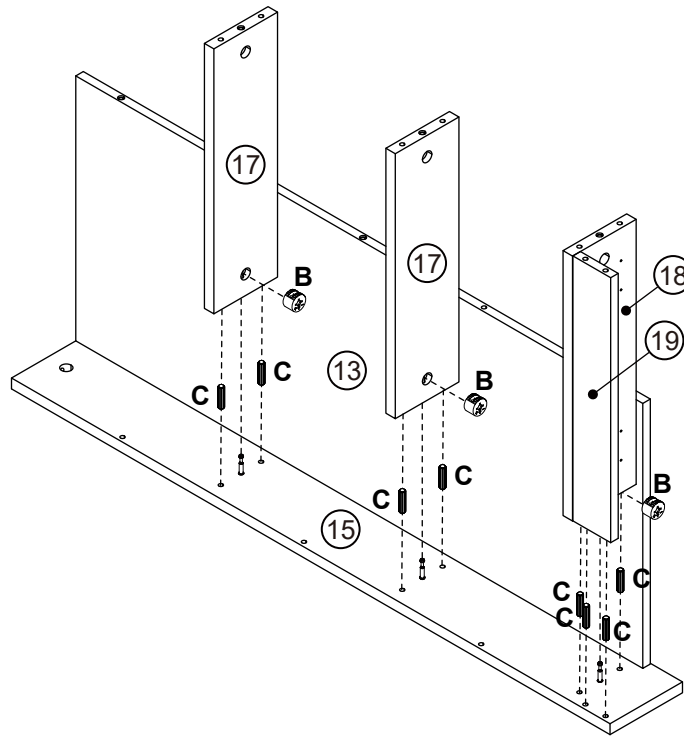
Step 1



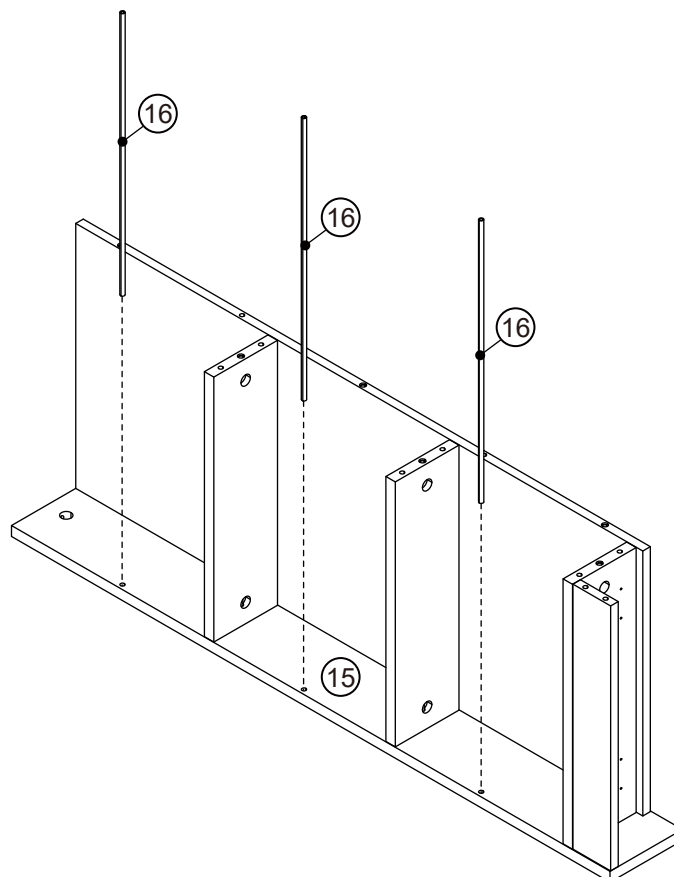
Step 2



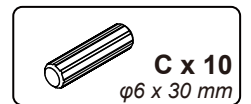
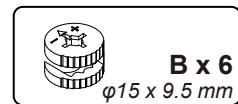
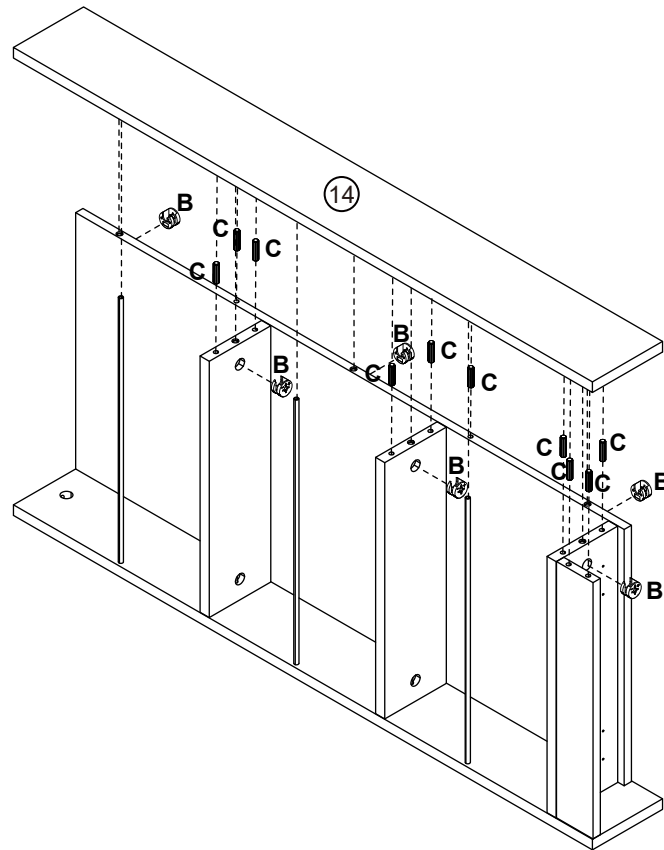
Step 3



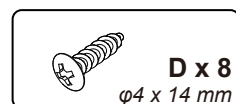
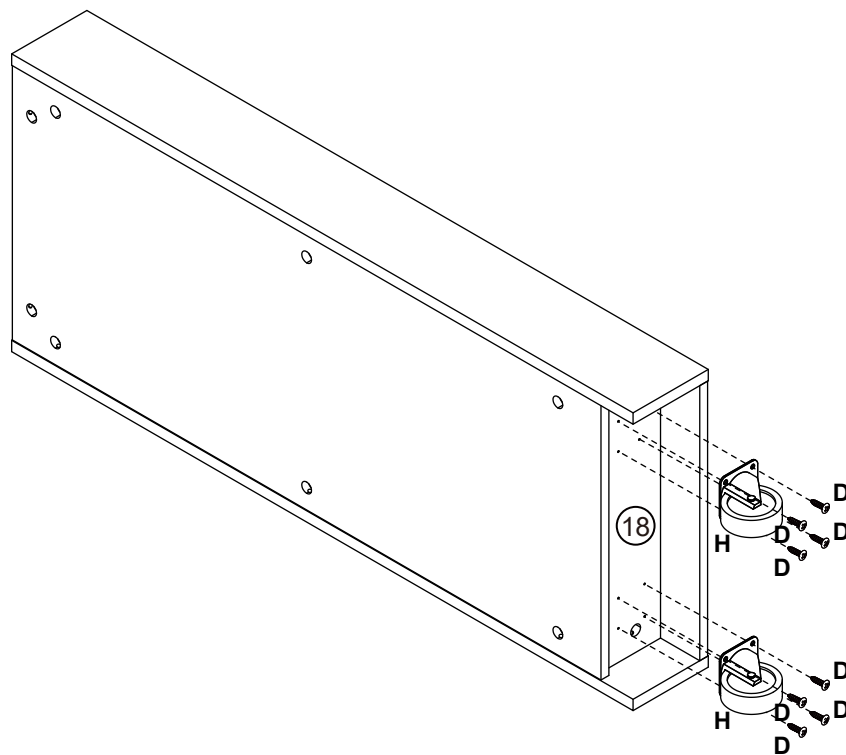
Step 4



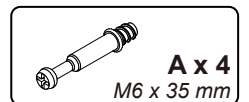
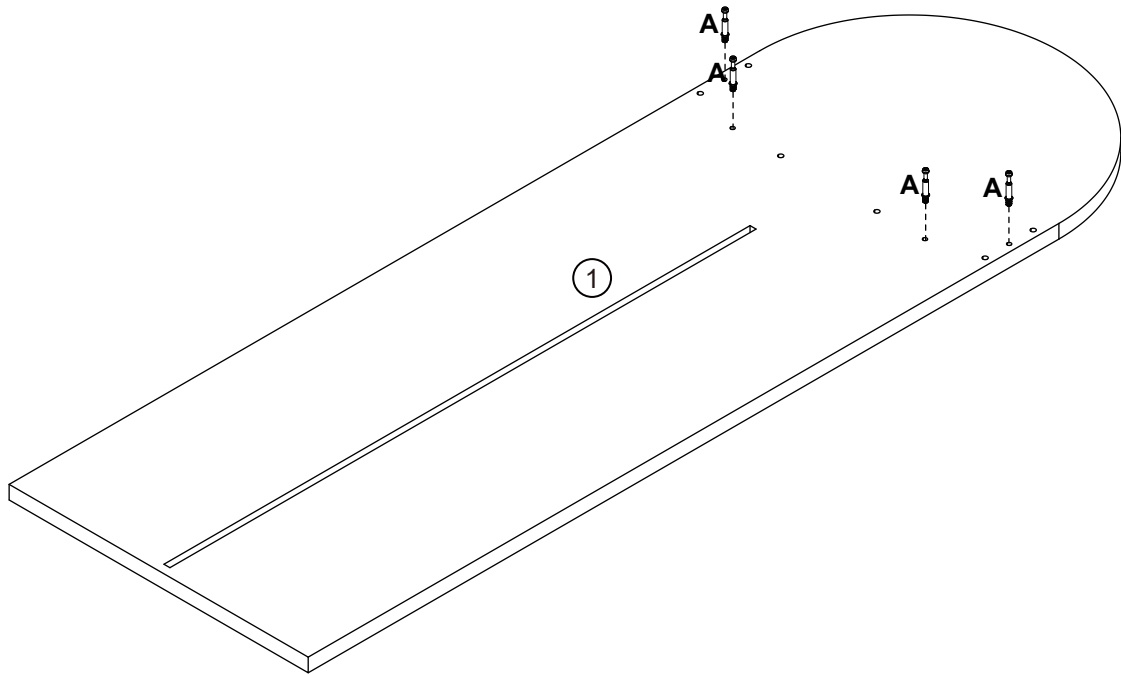
Step 5



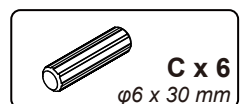
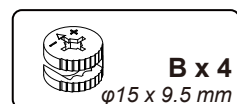
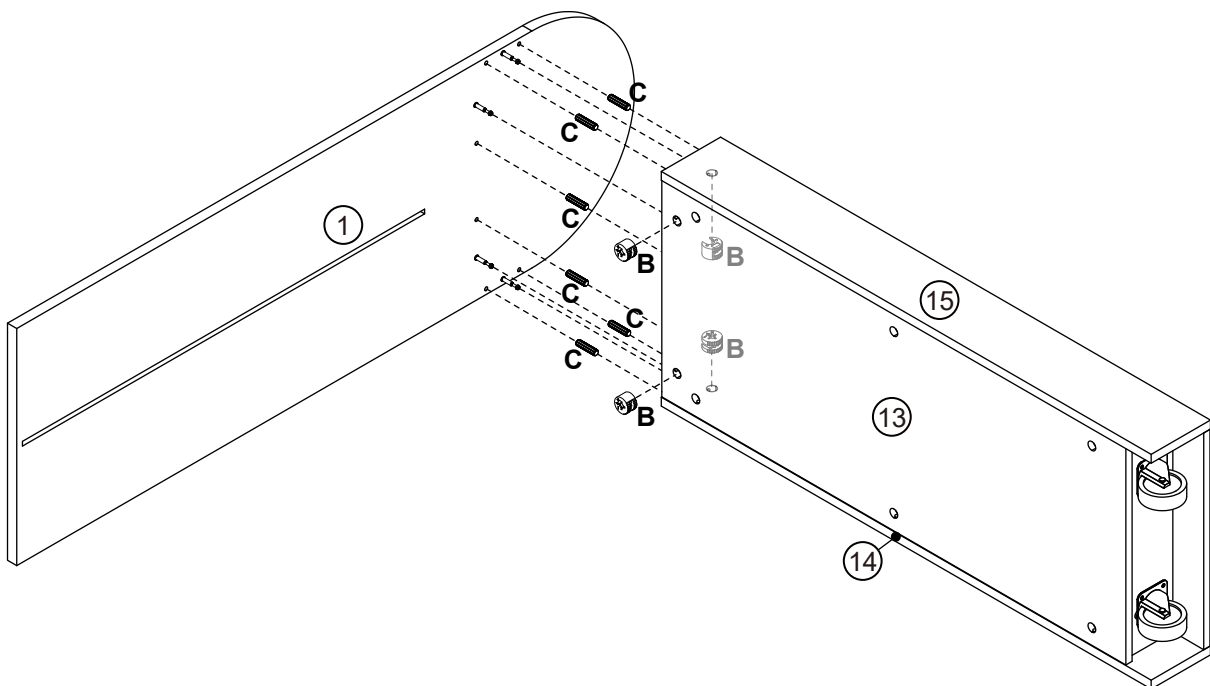
Step 6



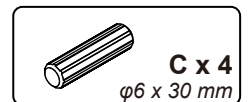
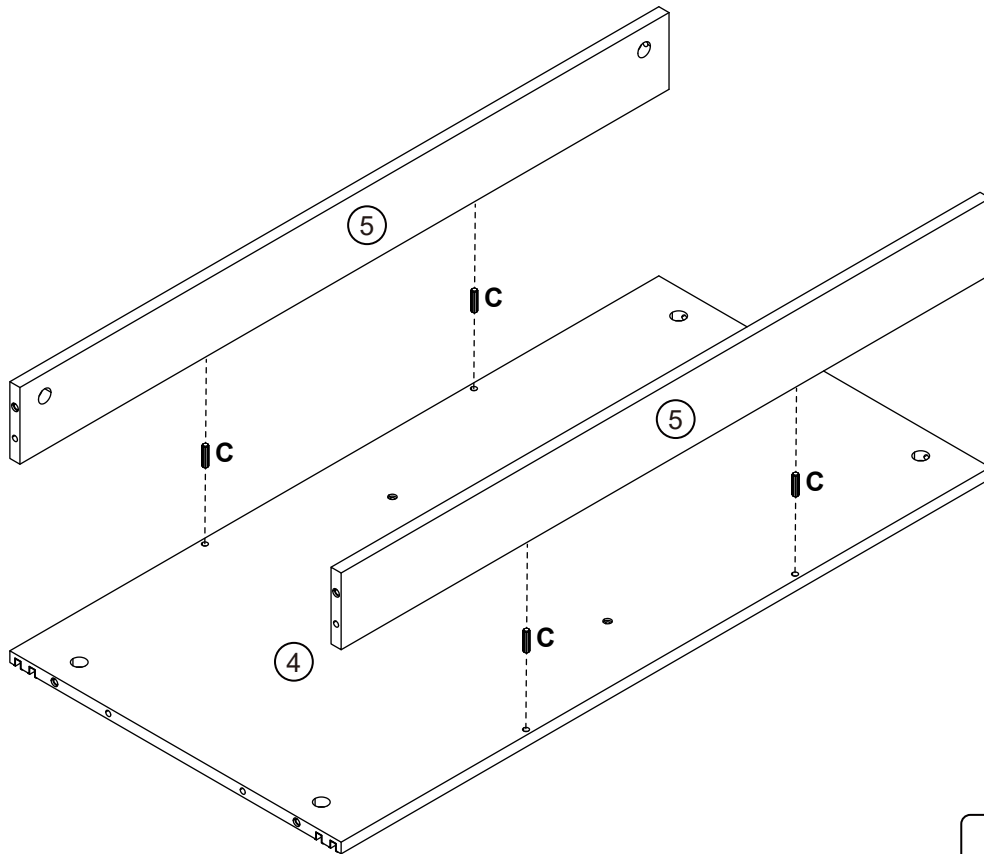
Step 7



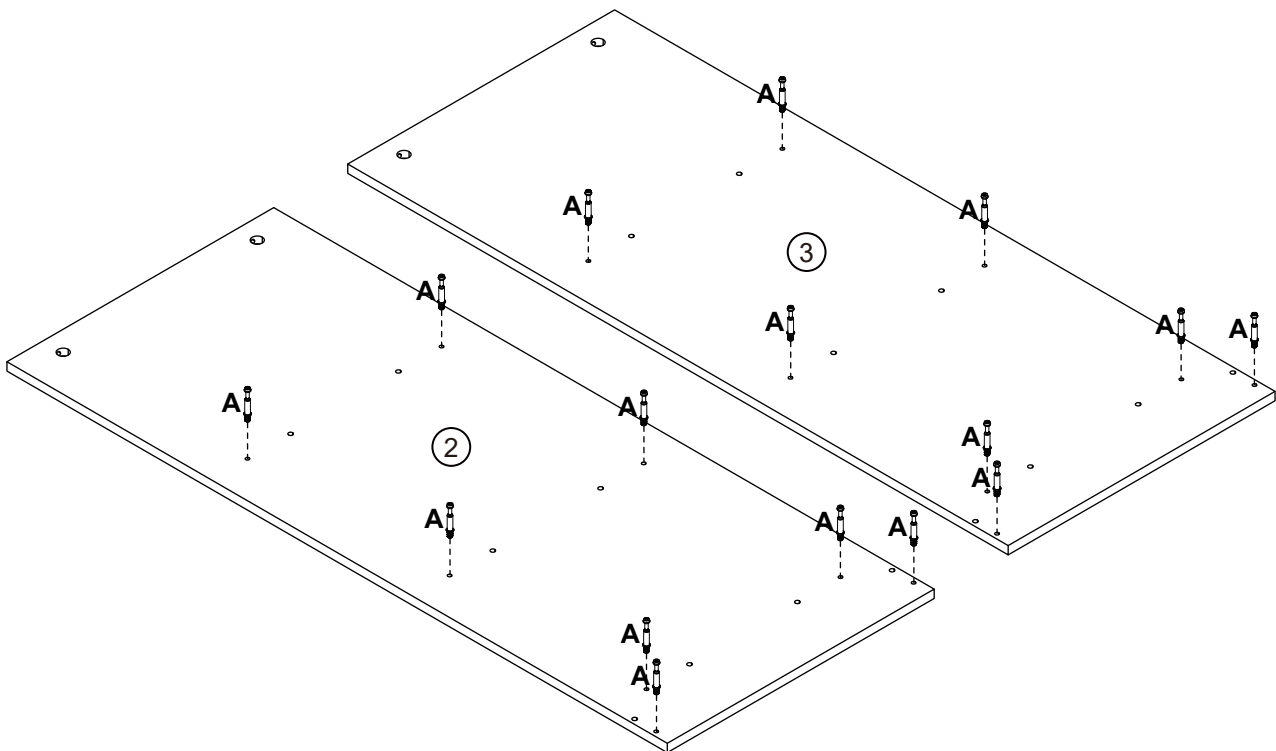
Step 8



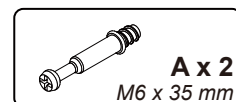
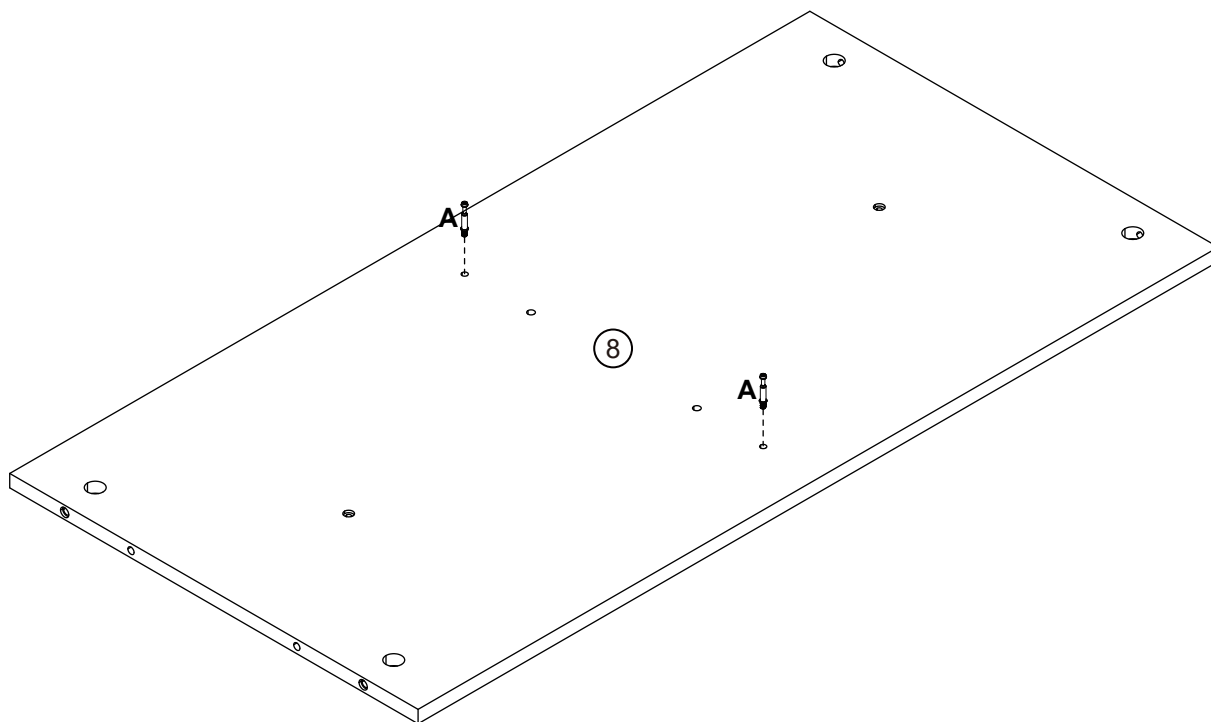
Step 9



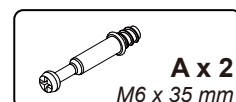
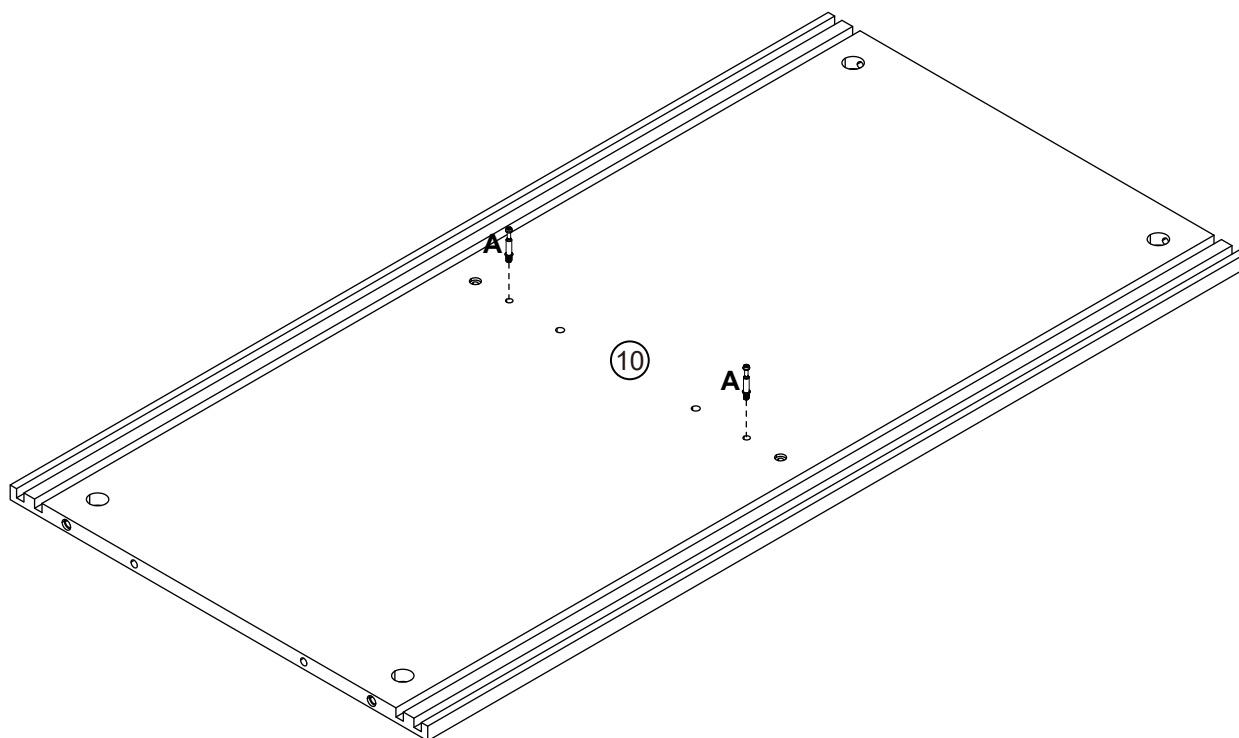
Step 10



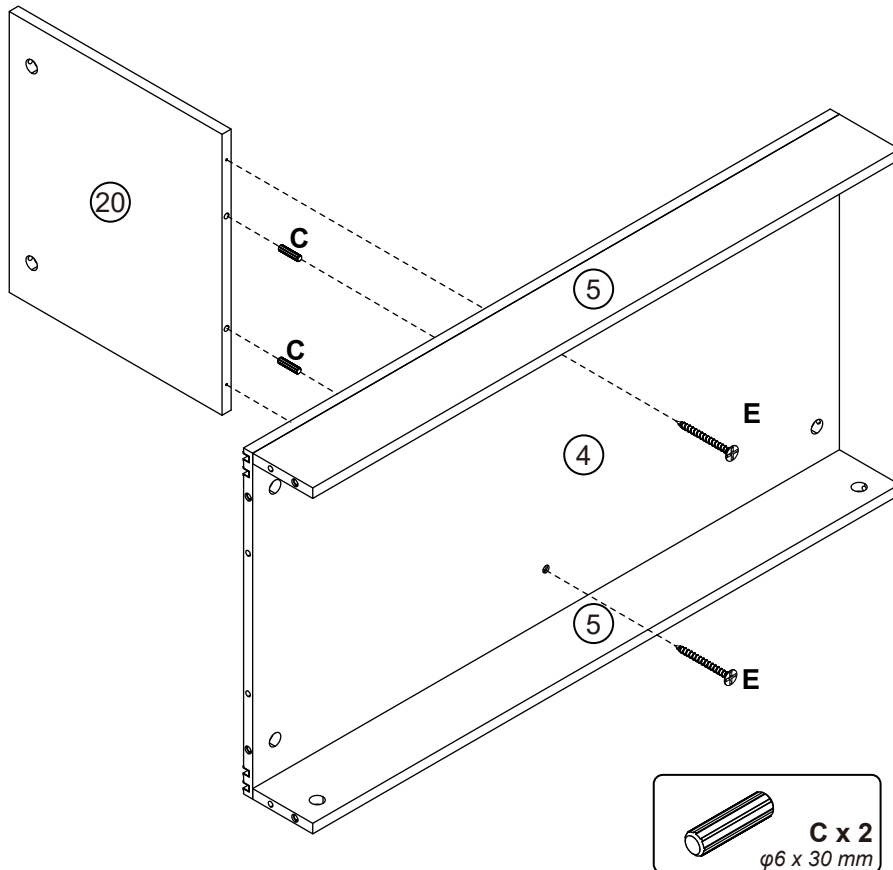
Step 11



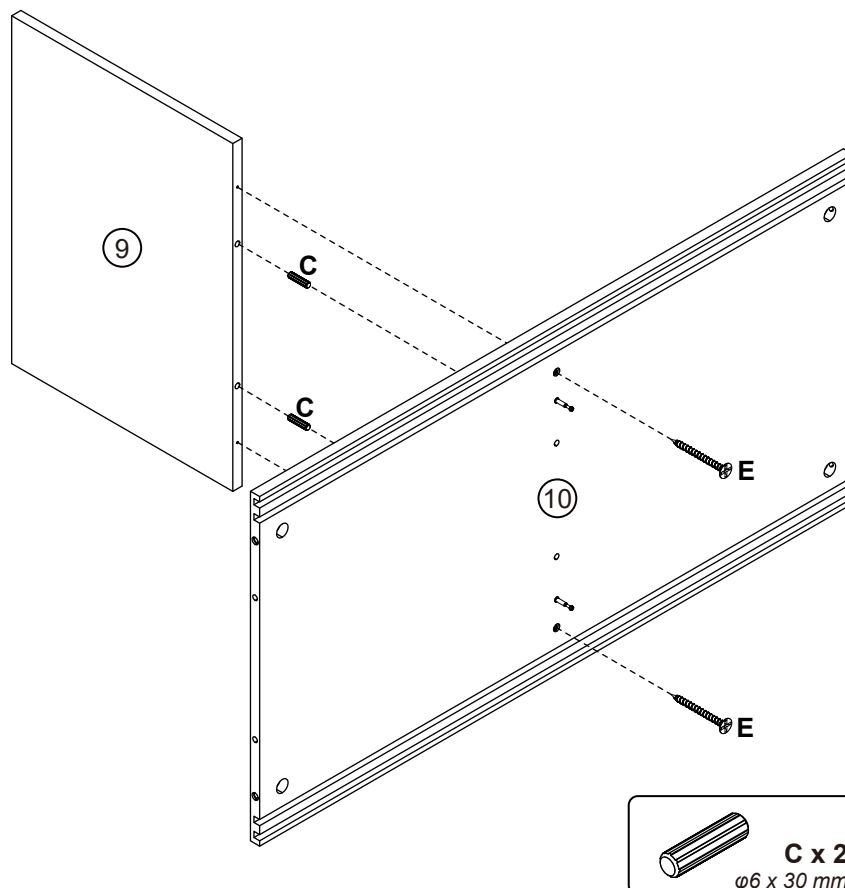
Step 12



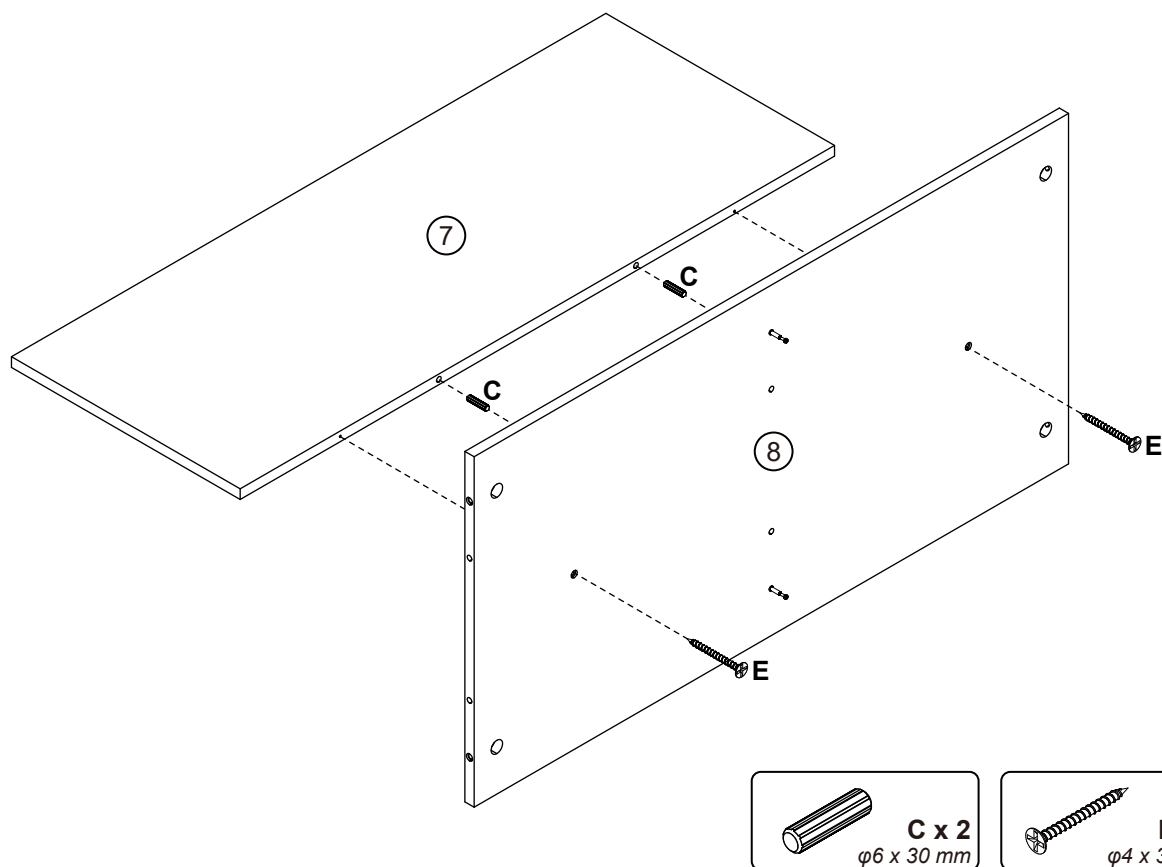
Step 13



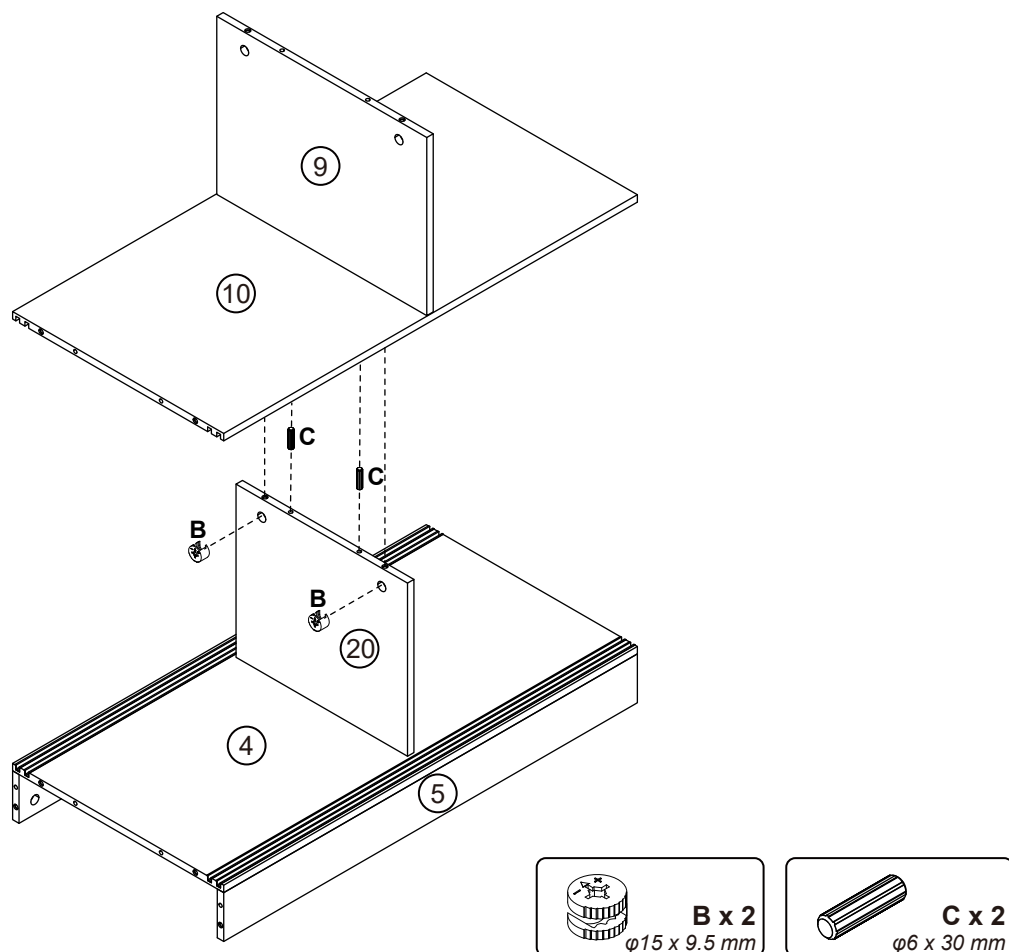
Step 14



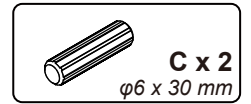
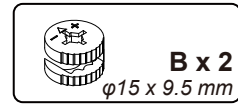
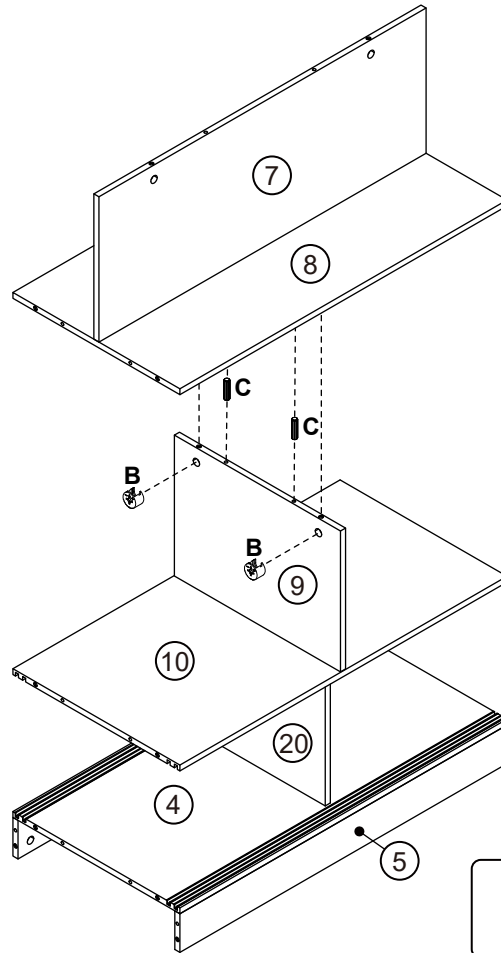
Step 15



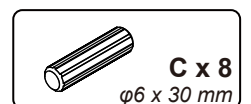
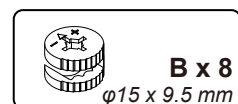
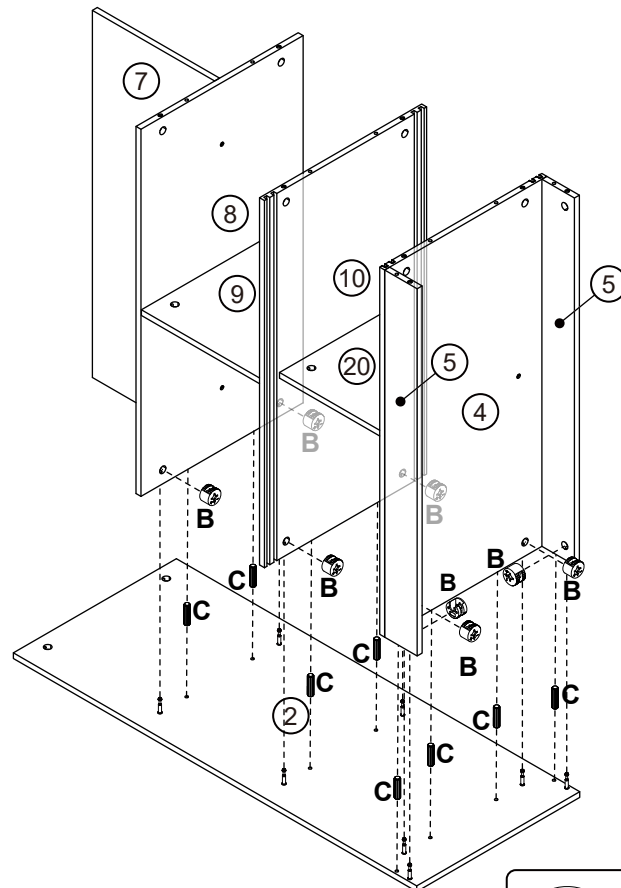
Step 16



Step 17

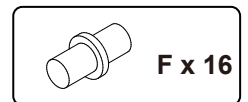
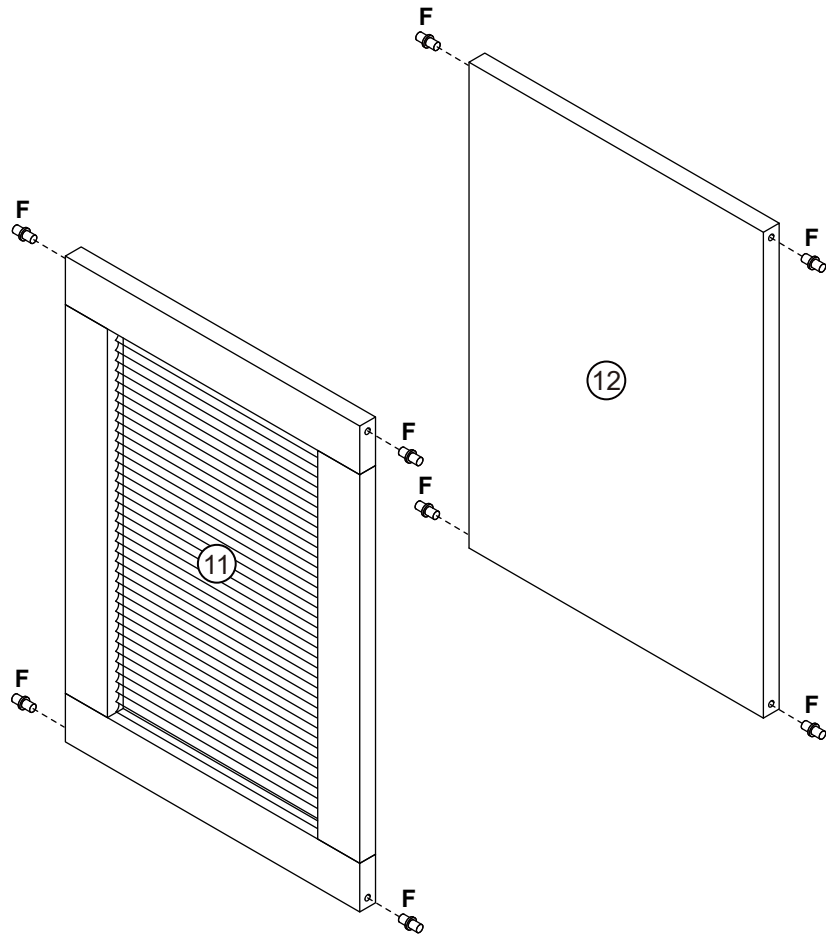


Step 18

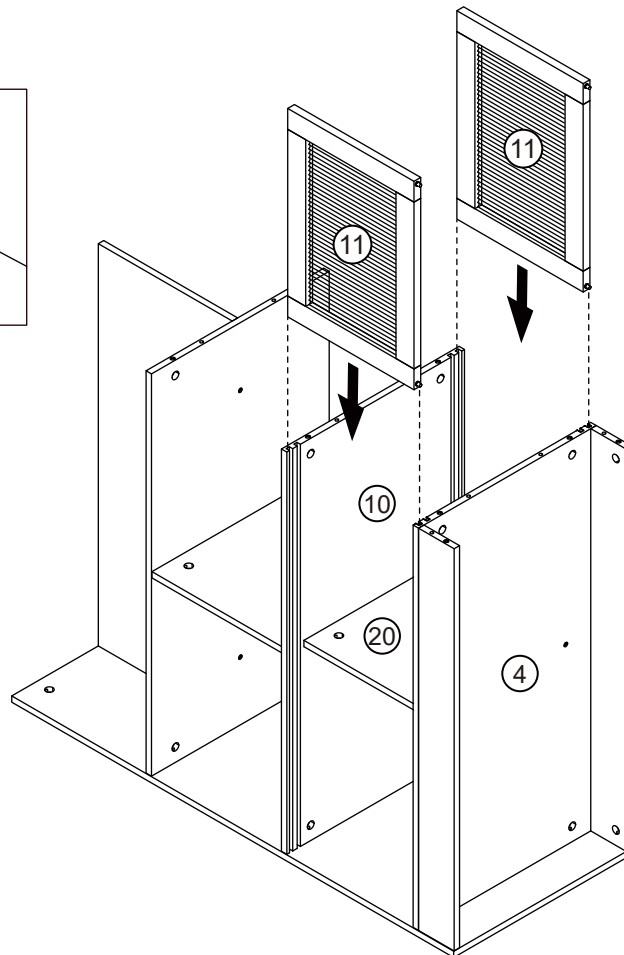
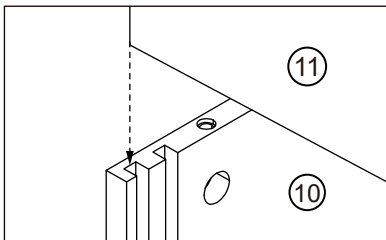


Step 19

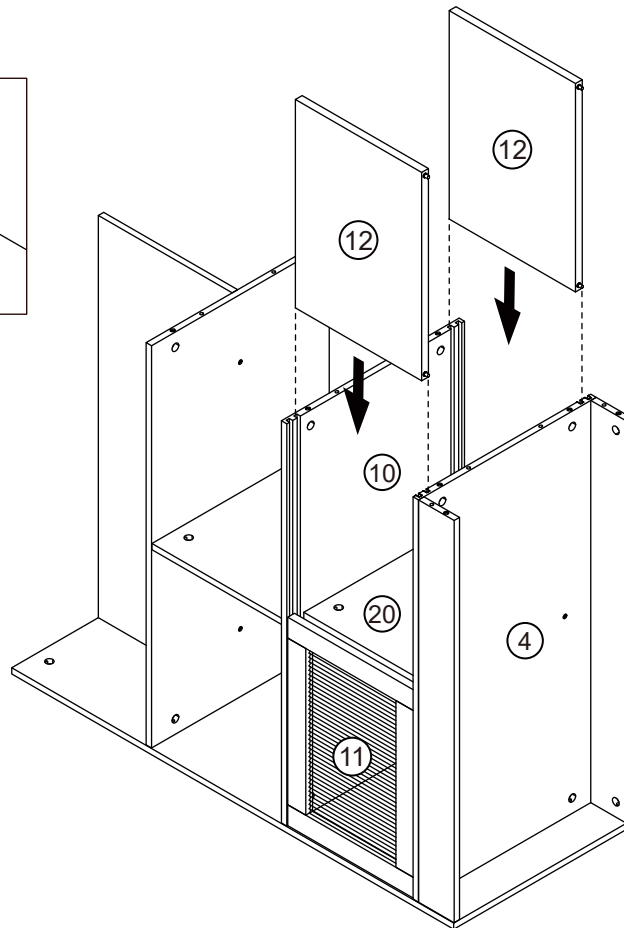
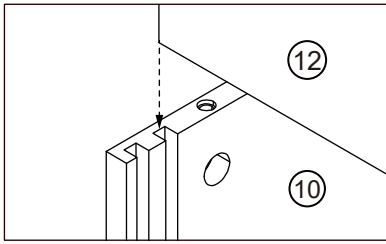
x2



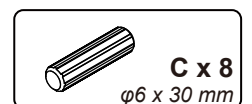
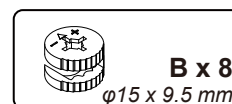
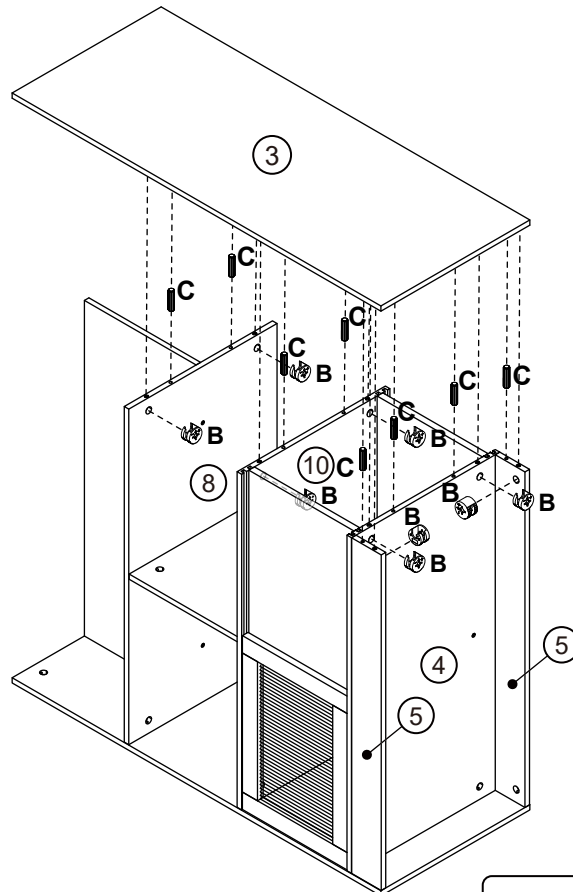
Step 20



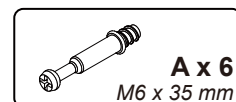
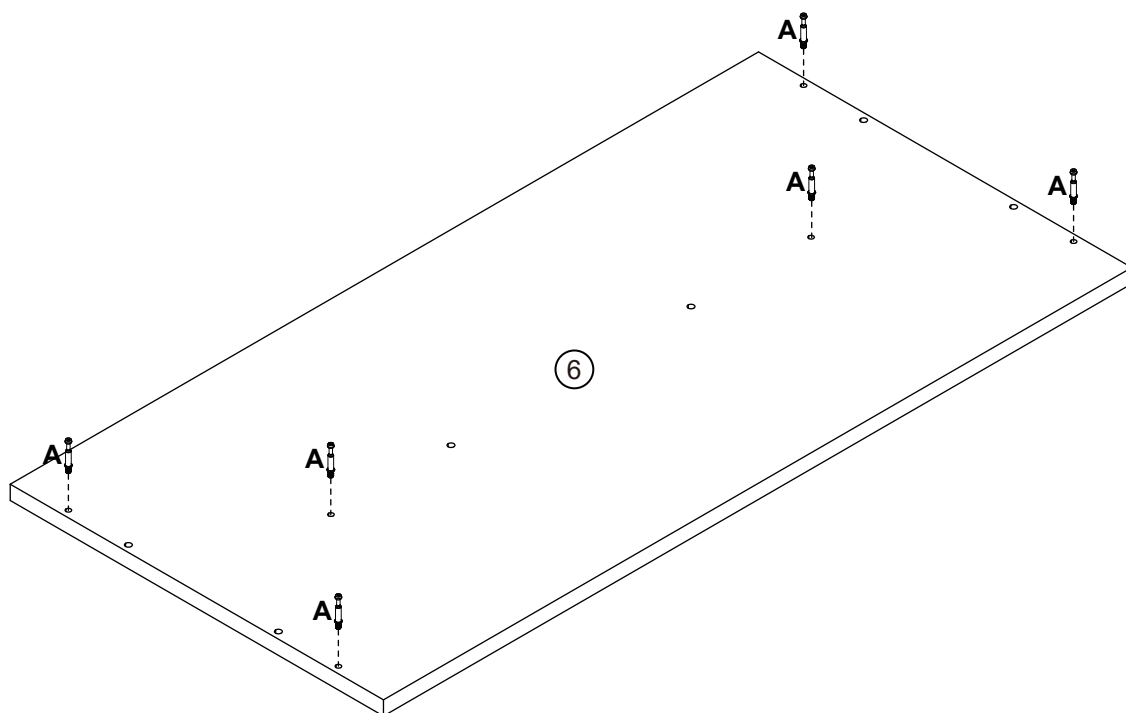
Step 21



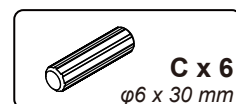
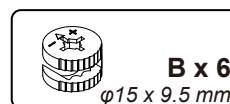
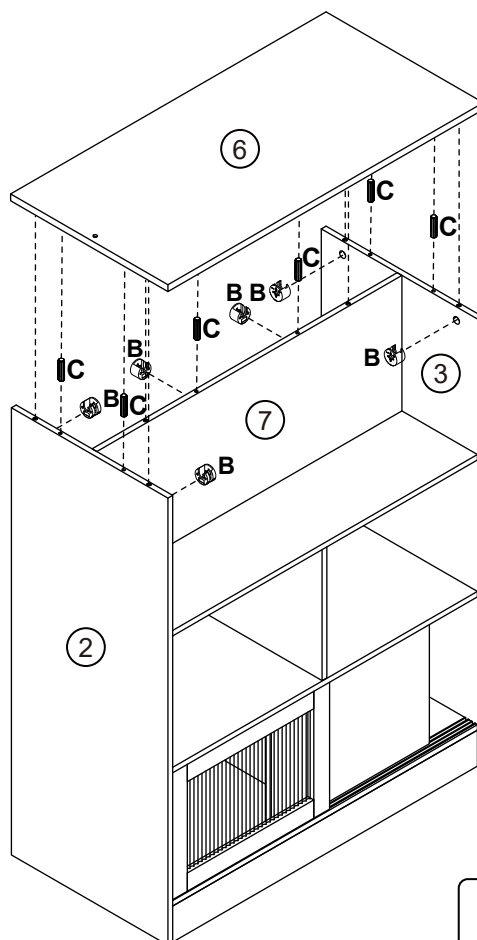
Step 22



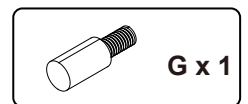
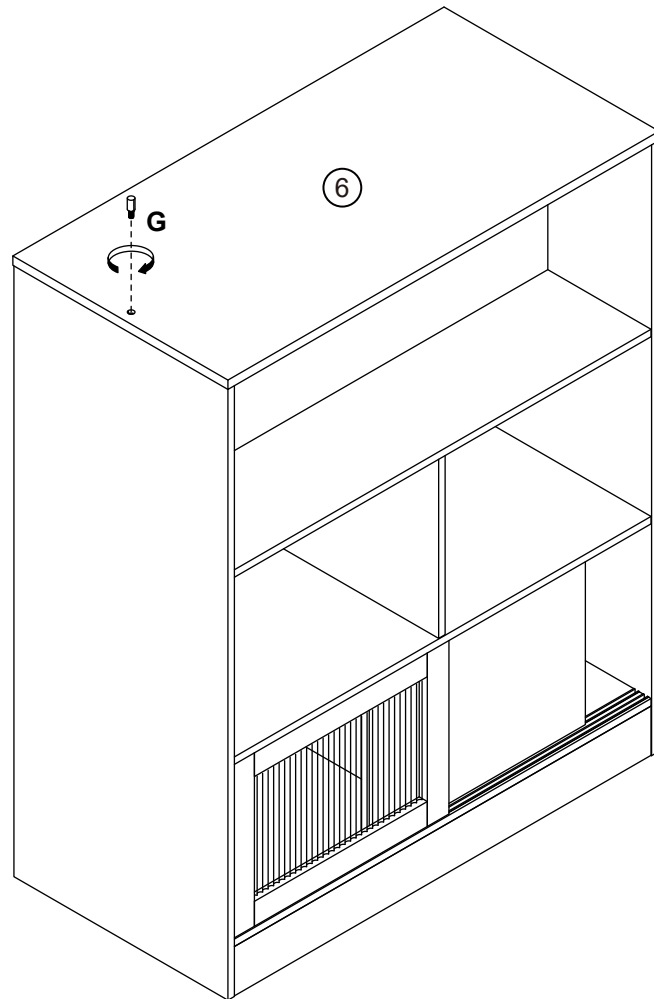
Step 23



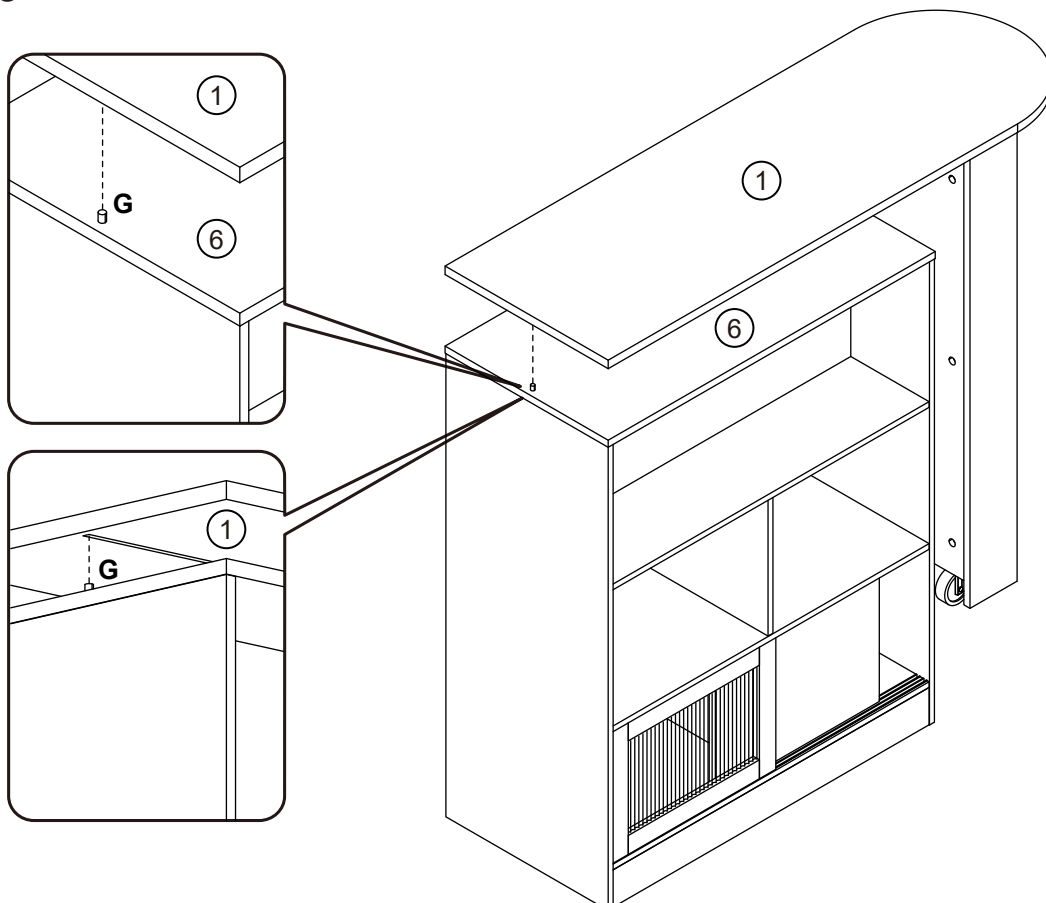
Step 24



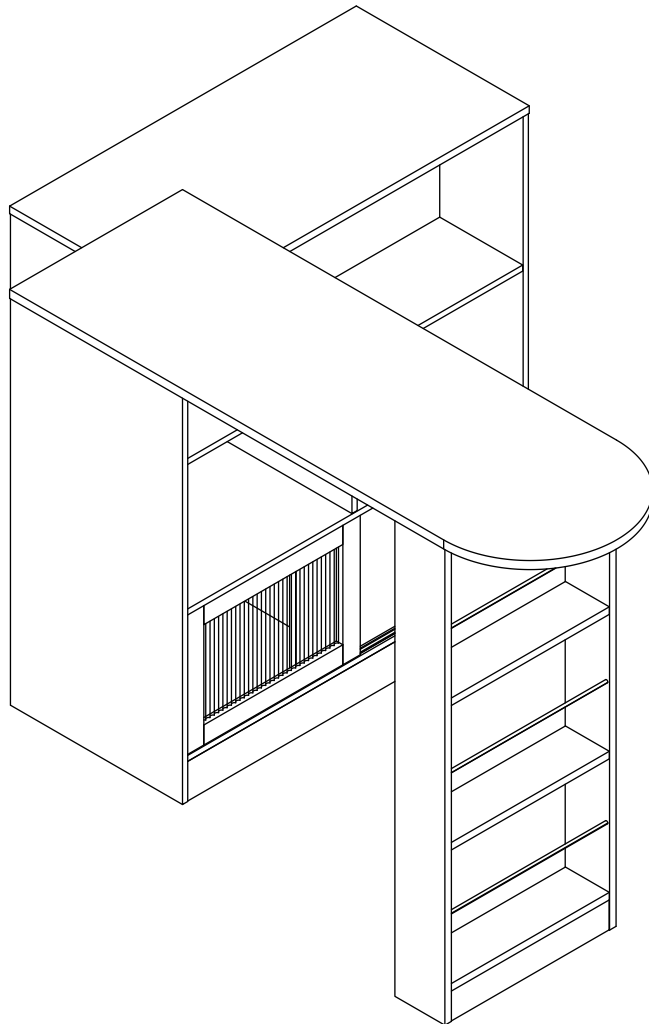
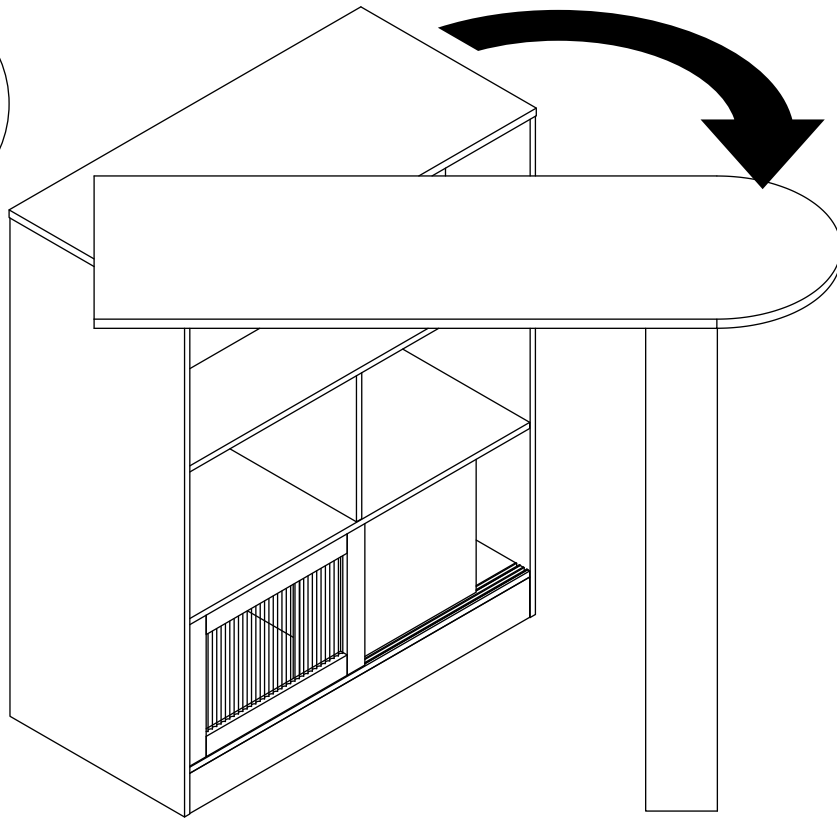
Step 25



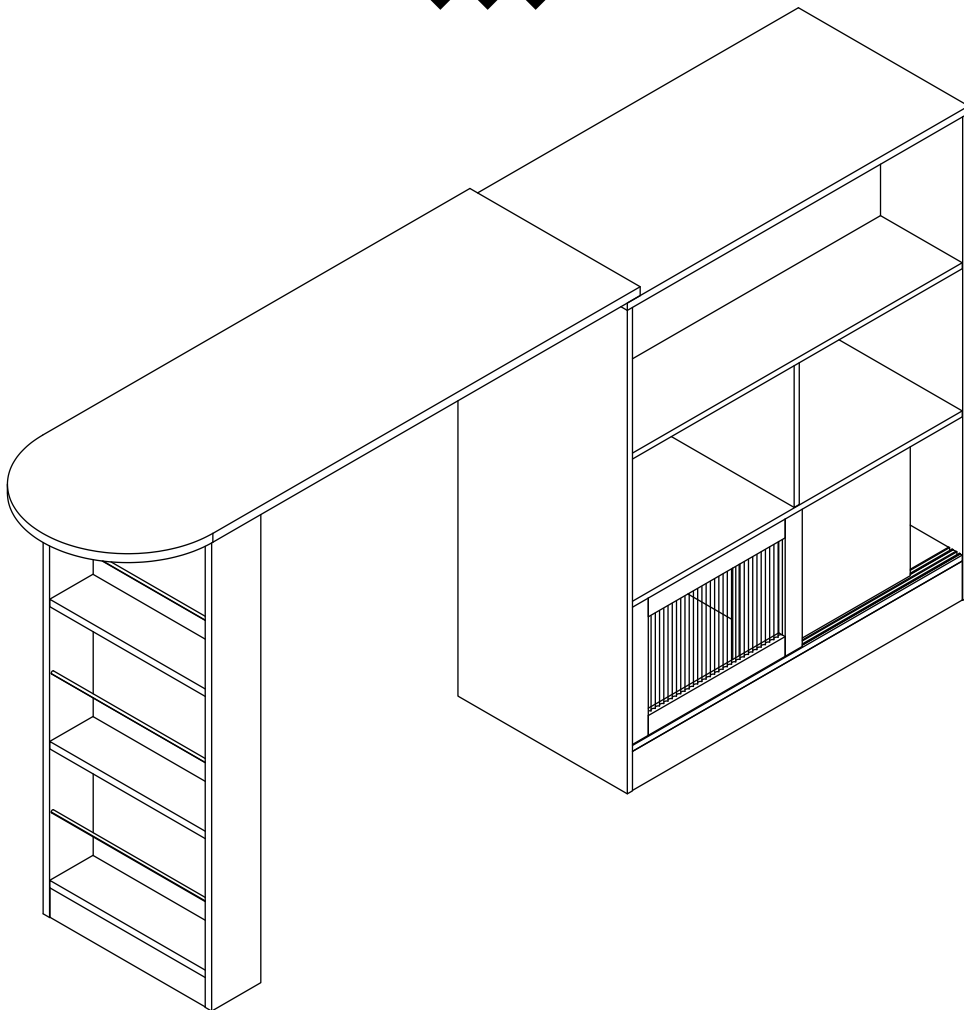
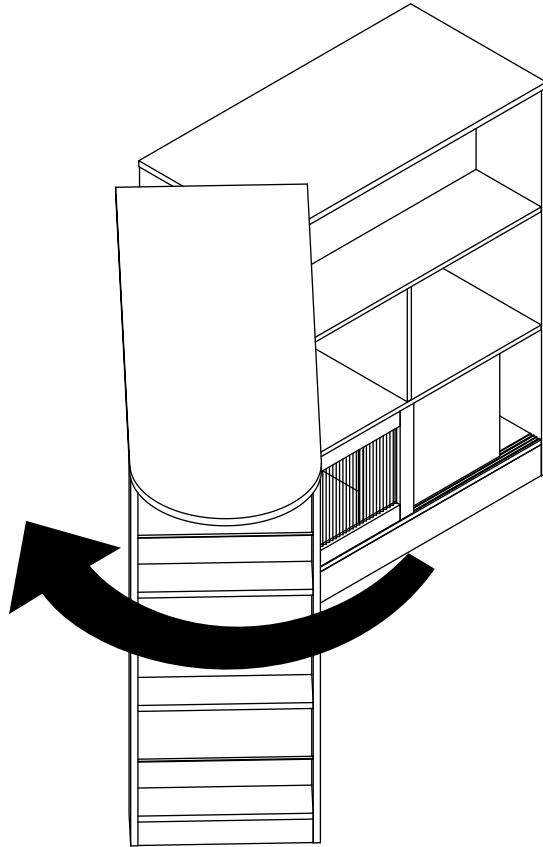
Step 26



A



B



C

