

ASSEMBLING & INSTALLATION INSTRUCTIONS

The drawing shown may not exactly match the product enclosed. However, the installation instructions do apply to this product.

- ◆ **WARNING! SHUT POWER OFF AT FUSE OR CIRCUIT BREAKER.**
- ◆ **ATTENTION! COUPER LE COURANT AU FUSIBLE OU UN DISJONCTEUR.**

ASSEMBLING THE FIXTURE (Fig.1)

1. **FIRST, PLEASE WEAR COTTON GLOVES ON YOUR HANDS!** Shut off the power at the circuit breaker box. Remove old fixture and all hardware from Junction Box. Carefully unpack your new fixture and lay out all the parts on a clear area. Take care not to lose any small parts necessary for installation.
2. Mount the mounting plate to the wall with the plastic anchors, the wood screw and the two box screw. The side of the mounting plate marked "GND" must face out. **The junction box is not included.**
3. Be very careful, hold the glass, insert to the frame of the lamp body. **NOTE:** first, the top of glass must inset to the frame in the place, fixed the glass with the small sheet iron in the frame. Put the candle sleeve over the lamp holder.
4. Raise the end hook of safety cable, hooked to the mounting plate's center hole or safety cable ring. Guide fixture wires through hole in center of mounting plate.
5. Follow wiring instructions carefully. (see fig.2)
6. Attach the back plate of the lamp body onto the junction box, aligning screws on back plate with mounting holes and lock it securely with the column nuts.
7. Install the light bulbs (Not included) in accordance with the fixture's specifications. **NOTE: DO NOT EXCEED THE MAXIMUM WATTAGE RATING!**
8. **With silicone caulking compound, caulk completely around where back of cover meets with the wall surface to prevent water from seeping into junction box.**

CONNECTING THE WIRES (Fig.2)

1. Connect the electrical wires as follows. Connect the Black wire from the fixture to the black house (hot) Wire. Connect the white wire from the fixture to the white (neutral) house wire. Make sure all wire nuts are secured. You may wrap the connections with electrical tape. If your outlet box has a ground wires (green or bare copper) connect fixture's ground wire to it. Otherwise attach the bare copper fixture wire to the green ground screw on the mounting plate.
2. Tuck the wire connections neatly into the wall junction box.

Your installation is now complete. Return power to the junction box and test the fixture.

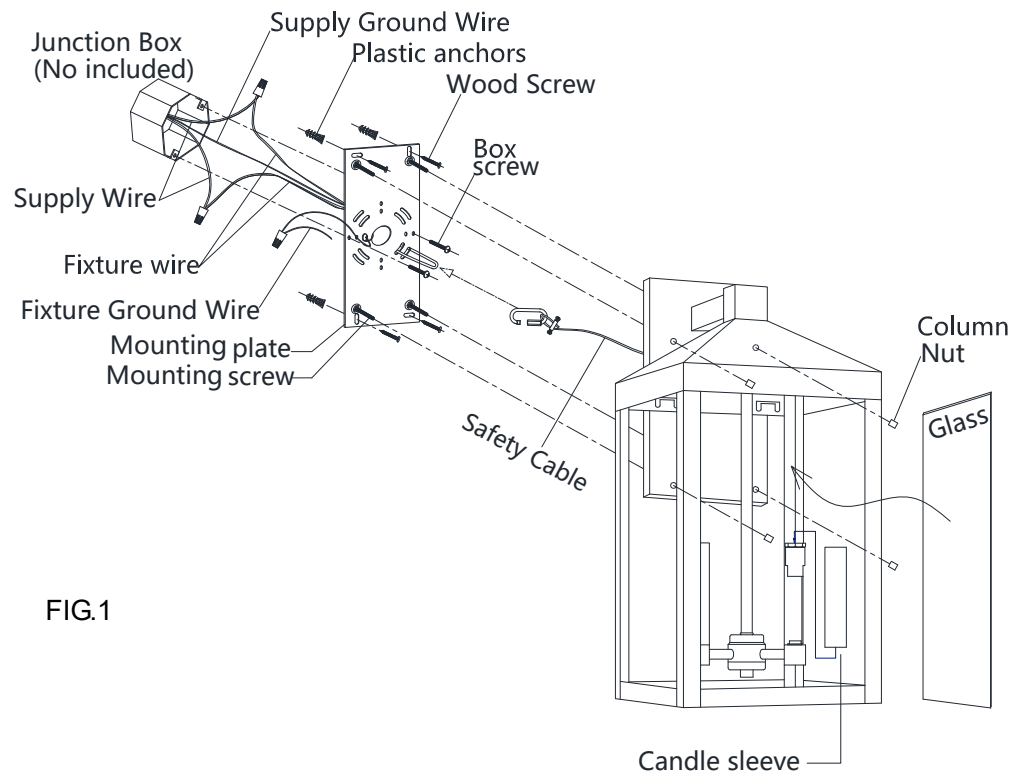


FIG.1

FIG.2

