

ASSEMBLY INSTRUCTIONS



Fine Furniture for every stage of life

Counter Height Dining Table

ASSEMBLY INSTRUCTIONS

ASSEMBLY TIPS:

1. Remove hardware from box and sort by size.
2. Please check to see that all hardware and parts are present prior to start of assembly.
3. Please follow attached instructions in the same sequence as numbered to assure fast & easy assembly.



WARNING!

1. Don't attempt to repair or modify parts that are broken or defective. Please contact the store immediately.
2. This product is for home use only and not intended for commercial establishments.



ASSEMBLY TIME

20 MINUTES

PARTS IDENTIFICATION

A	TOP		1PC
B	LEG		4PCS
C	SHORT CROSSBAR		2PCS
D	LONG CROSSBAR		2PCS
E	MOUNTING BOARD		2PCS
F	SHELF		1PC

HARDWARE IDENTIFICATION

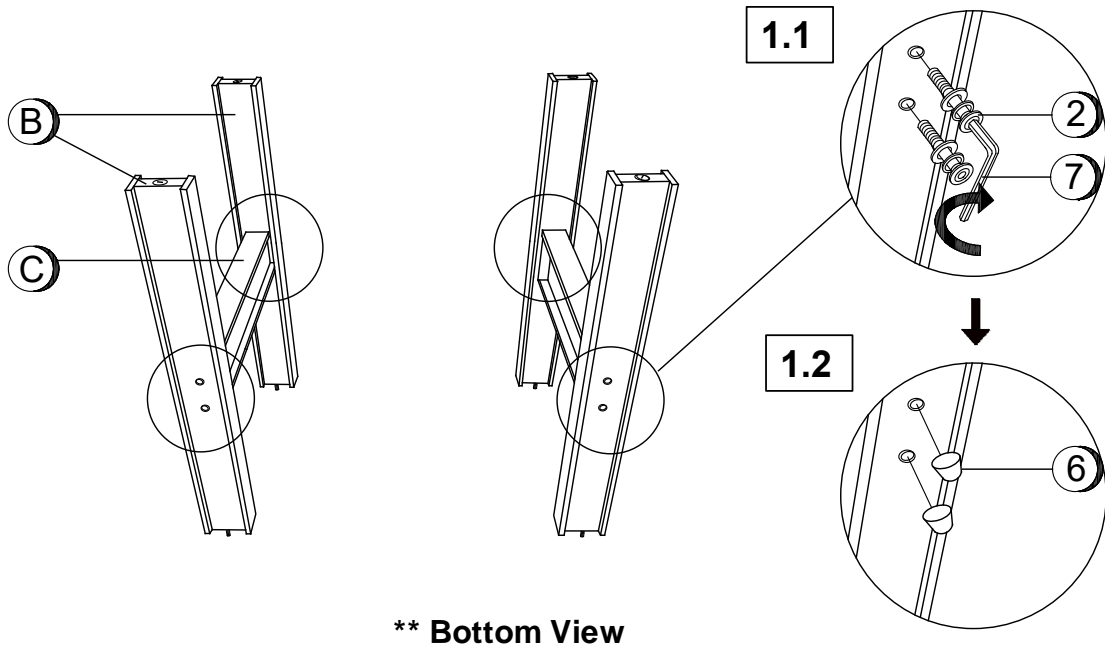
1	SHORT BOLT WITH WASHER (M6 x 40mm - BLK)		10PCS
2	LONG BOLT WITH WASHER (M6 x 50mm - BLK)		16PCS
3	HEX NUT (M8 x 13mm - RB)		4PCS
4	LOCK WASHER (M8 x 13mm - BLK)		4PCS
5	FLAT WASHER (M8 x 18mm - BLK)		4PCS
6	WOOD PLUG (14.5mm)		16PCS
7	ALLEN WRENCH (M4 x 60mm - GD)		1PC
8	WRENCH (M4 x 85mm - GD)		1PC

NOTE:

Phillips head screw driver is required in the assembly process; however, manufacturer does not provide this item.

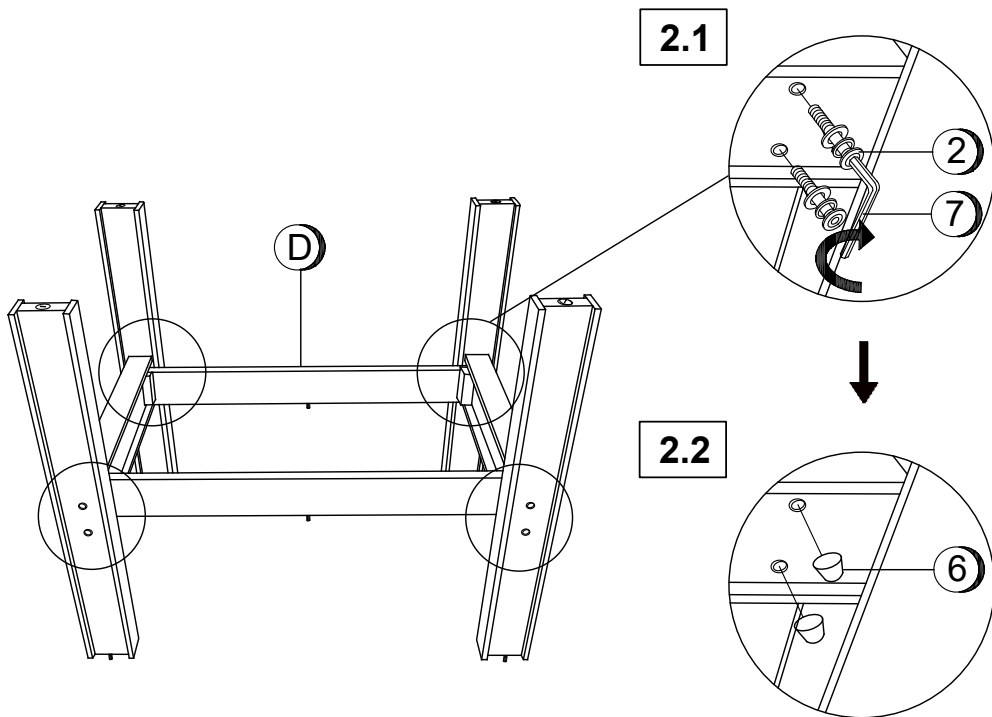
ASSEMBLY INSTRUCTIONS

STEP 1



** Bottom View

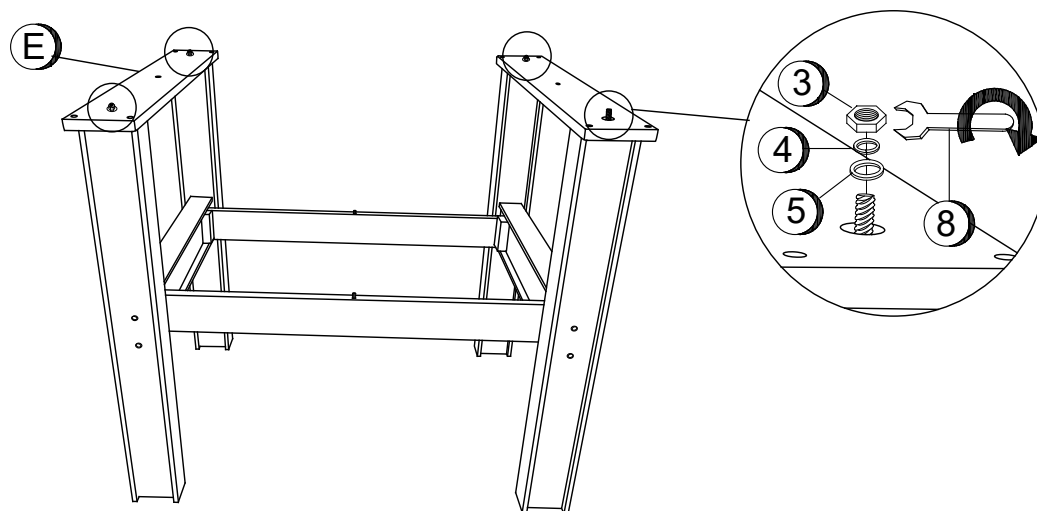
STEP 2



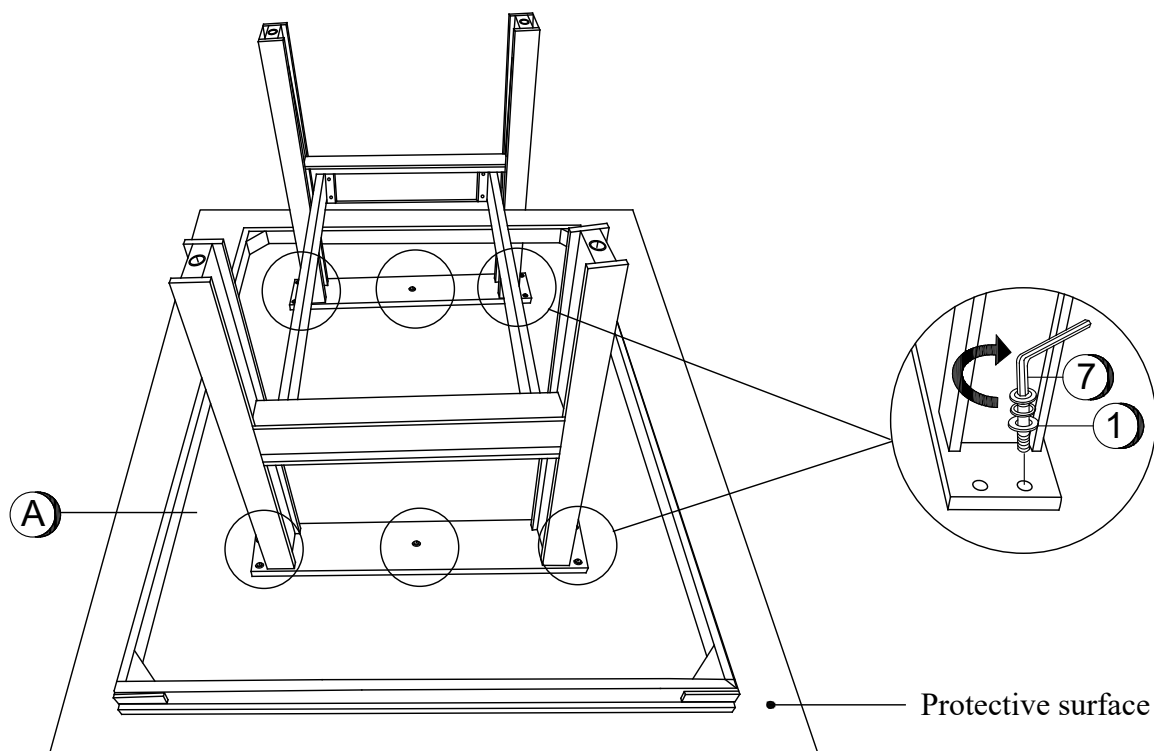
** Bottom View

ASSEMBLY INSTRUCTIONS

STEP 3



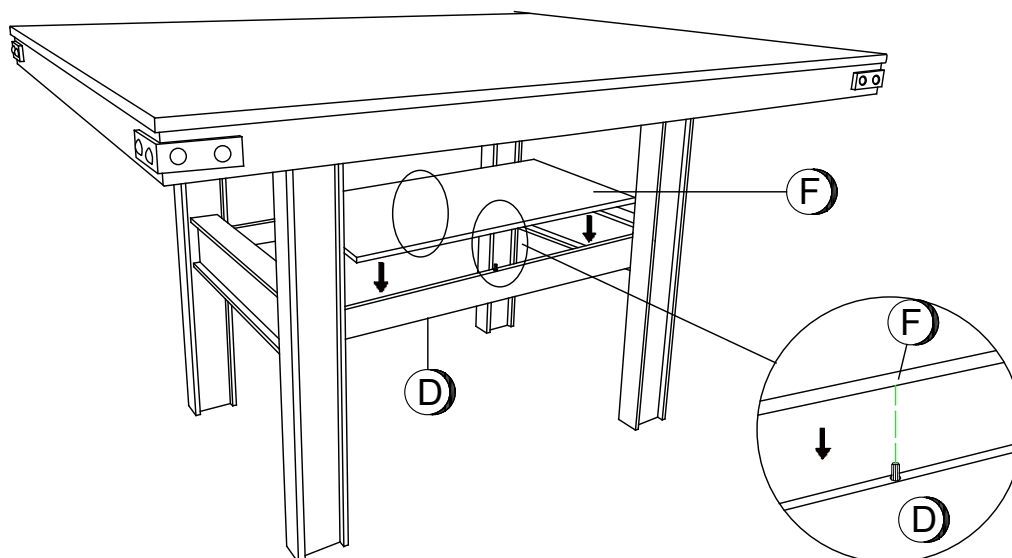
STEP 4



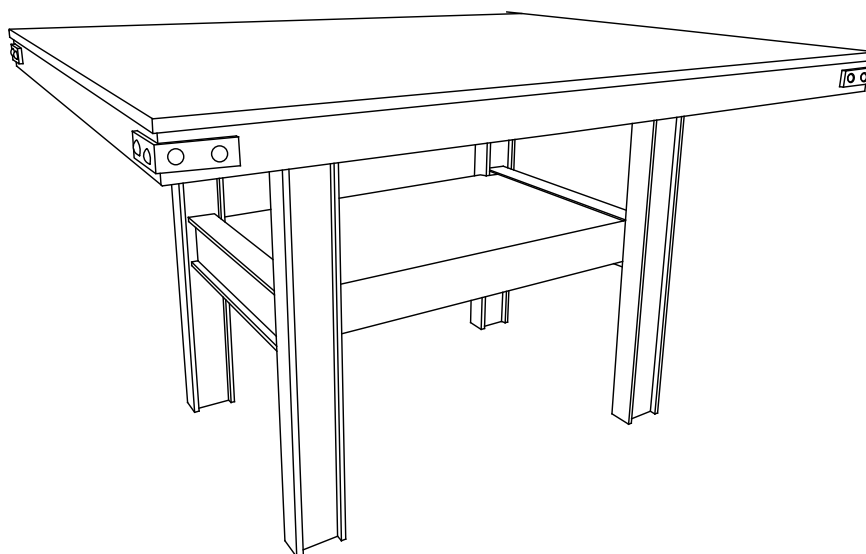
** Bottom View

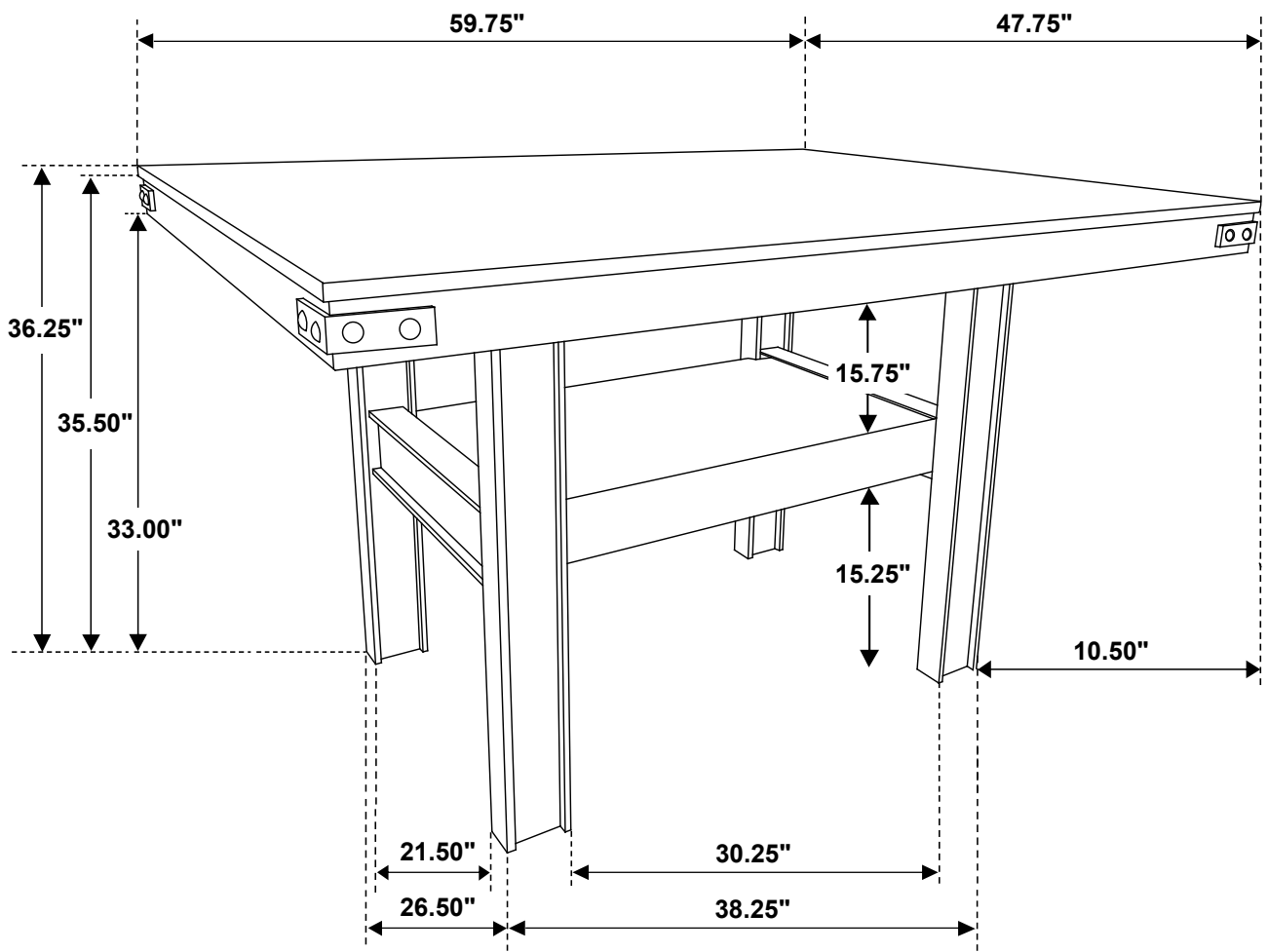
ASSEMBLY INSTRUCTIONS

STEP 5



STEP 6 COMPLETE





Note : Dimension tolerance $\pm 5\%$

ASSEMBLY INSTRUCTIONS



Fine Furniture for every stage of life

Counter Stool

ASSEMBLY INSTRUCTIONS

ASSEMBLY TIPS:

1. Remove hardware from box and sort by size.
2. Please check to see that all hardware and parts are present prior to start of assembly.
3. Please follow attached instructions in the same sequence as numbered to assure fast & easy assembly.



WARNING!


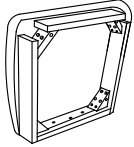
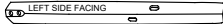




1. Don't attempt to repair or modify parts that are broken or defective. Please contact the store immediately.
2. This product is for home use only and not intended for commercial establishments.



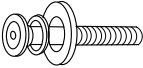
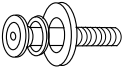
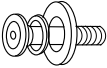


ASSEMBLY TIME

10 MINUTES

PARTS IDENTIFICATION

A	BACK FRAME		1PC
B	SEAT CUSHION WITH FRAME		1PC
C	LEFT FRONT LEG		1PC
D	RIGHT FRONT LEG		1PC
E	FRONT STRETCHER		1PC
F	LEFT SIDE STRETCHER		1PC
G	RIGHT SIDE STRETCHER		1PC

HARDWARE IDENTIFICATION

1	LONG BOLT WITH WASHER (M6 x 80mm - BLK)		4PCS
2	MEDIUM BOLT WITH WASHER (M6 x 60mm - BLK)		4PCS
3	SHORT BOLT WITH WASHER (M6 x 40mm - BLK)		3PCS
4	WOOD SCREW (M5 x 38mm - BLK)		4PCS
5	ALLEN WRENCH (M4 - GD)		1PC

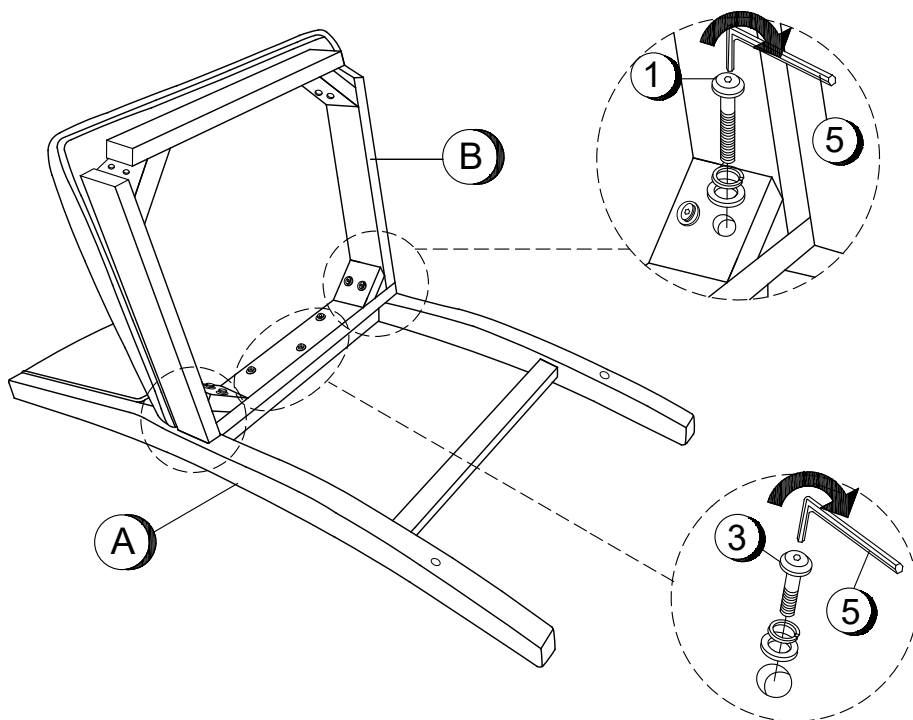
NOTE:

Quantities shown are for one stool.

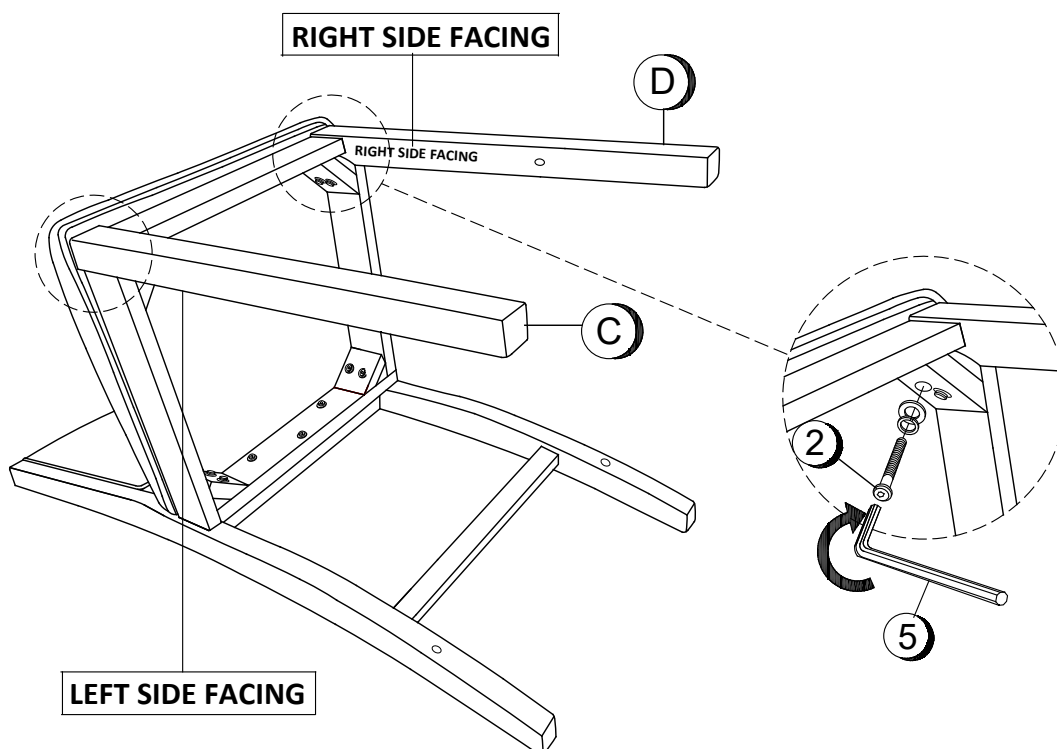
Phillips head screw driver is required in the assembly process; however, manufacturer does not provide this item.

ASSEMBLY INSTRUCTIONS

STEP 1

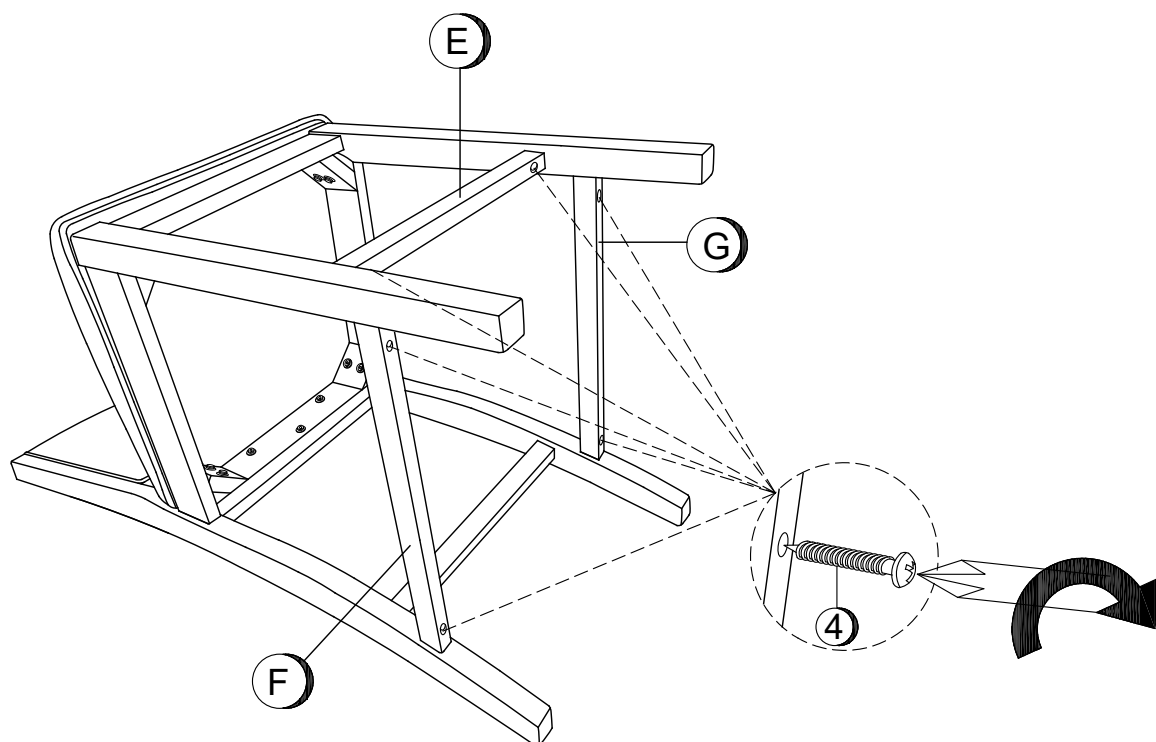


STEP 2

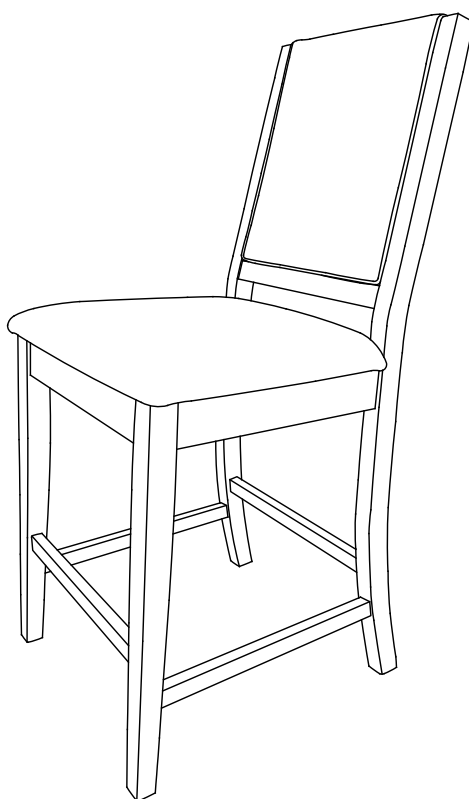


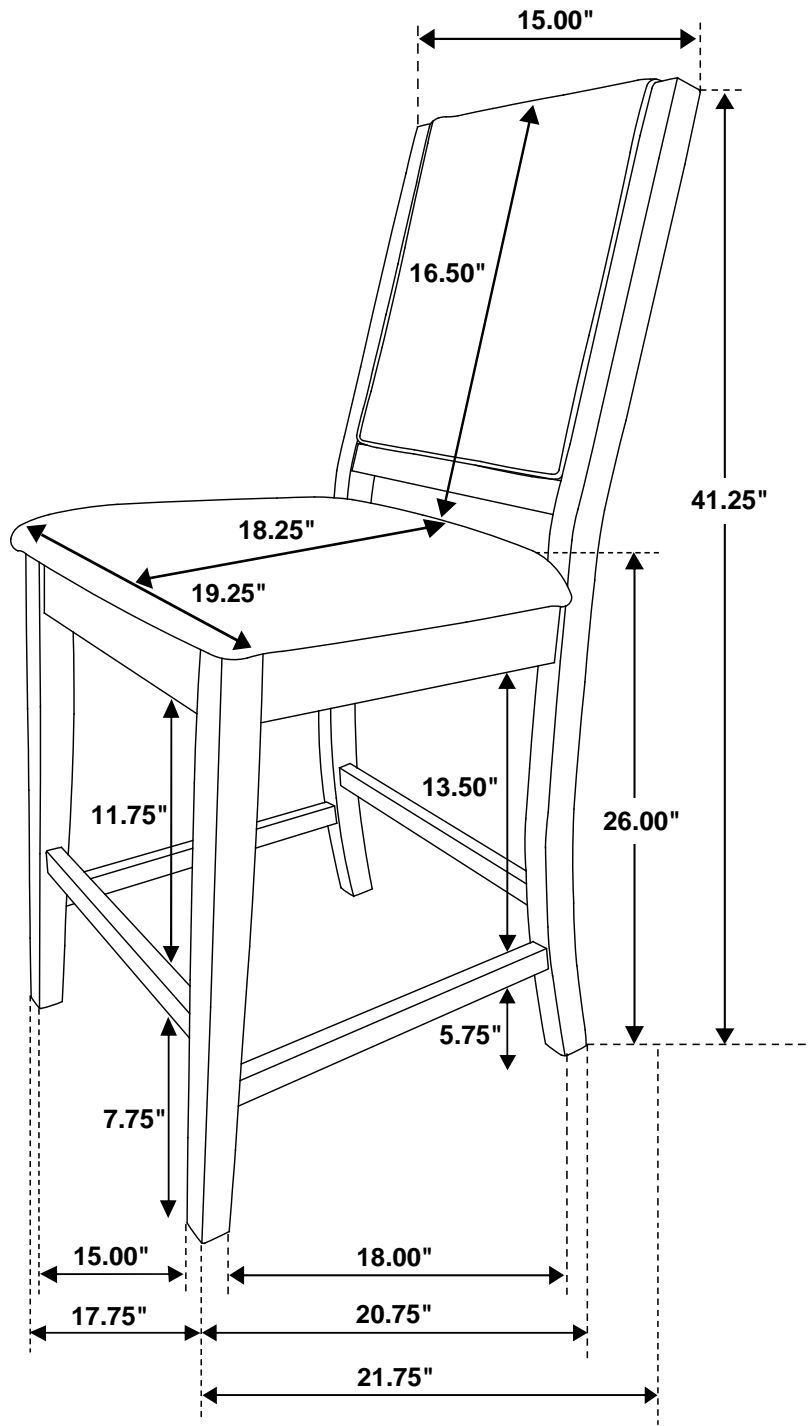
ASSEMBLY INSTRUCTIONS

STEP 3



STEP 4 COMPLETE





Note : Dimension tolerance $\pm 5\%$