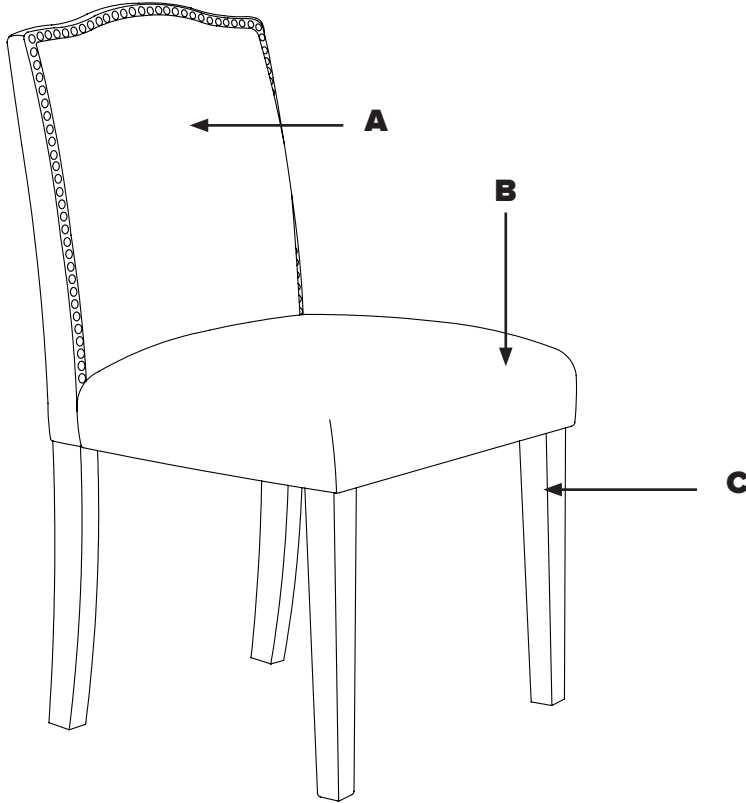


# STANDARD DINING CHAIR ASSEMBLY

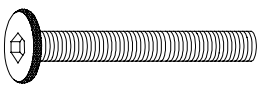
## COMPONENTS



ITEM	DESCRIPTION	QTY
<b>A</b>	Back	1
<b>B</b>	Seat	1
<b>C</b>	Legs	2

*Please note: actual product may look different than illustration.*

## HARDWARE



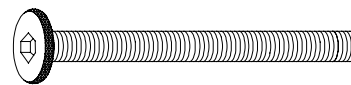
**(H1)** x 6  
2" bolt



**(H2)** x 10  
spring washer



**(H3)** x 10  
3/4" flat washer



**(H4)** x 4  
3 1/2" bolt



**(H5)** x 1  
L wrench

### LIMITED WARRANTY

We guarantee our upholstered furniture against defects in construction for a period of one (1) year. When a structural defect is brought to our attention, we will repair or replace it at our option at no charge to the customer (includes parts and labor, not transportation costs). Fabric wear-ability for upholstered furniture is not covered by the warranty. Vacuum for regular cleaning.

PLEASE DISPOSE OF PLASTIC BAG(S) AND CARTON(S) RESPONSIBLY.

### LIMITE DE GARANTIA

Nosotros garantiza sus muebles tapizados contra defectos en construcción por un periodo de un (1) año. Cuando un problema de estructura es traído a nuestra atención, nosotros repararemos o remplazaremos sin ningún cargo a nuestro cliente (incluye partes y trabajo, no costo en transportación). Descoloramiento del material de muebles tapizados no es cubierto por la garantía. Regularmente puede aspirar.

POR FAVOR TIRAR BOLSA(S) Y CAJA(S) RESPONSABLEMENTE.

### GARANTIE LIMITÉE

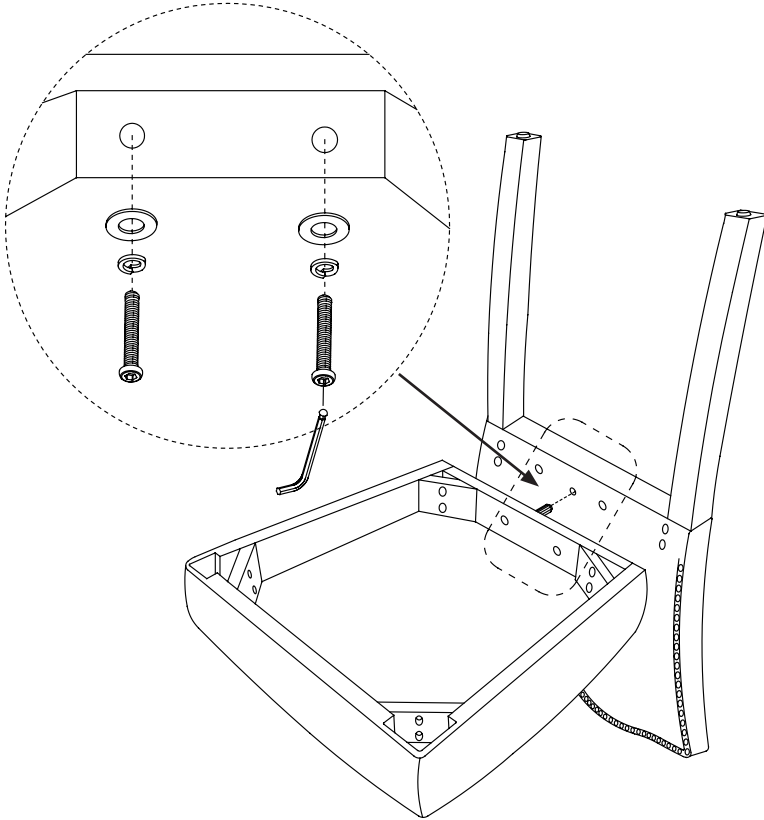
Nous garantis ses meubles rembourrés contre les défauts de construction pendant une période d'un (1) an. Lorsqu'un vice de construction nous est signalé, nous réparons ou remplaçons le meuble, selon notre choix, sans frais pour le client (incluant les pièces et la main-d'oeuvre, mais excluant les frais de transport). La durabilité du tissu des meubles rembourrés n'est pas couverte par la garantie. Nettoyer régulièrement avec un aspirateur.

VEUILLEZ JETER LE OU LES SAC(S) EN PLASTIQUE ET BOÎTE(S) DE FAÇON RESPONSABLE.

# STANDARD DINING CHAIR ASSEMBLY

## STEP 1

---

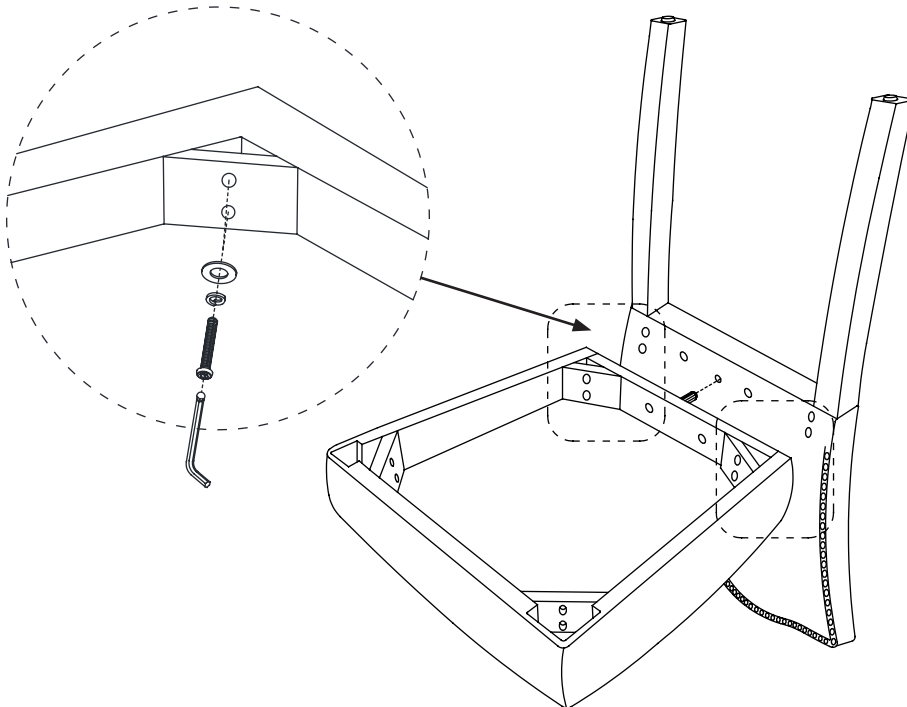


### 1.1

Fit (B) seat into (A) back, making sure the wooden dowel fits in the center hole.

Attach the center section using (H1) bolts, (H2) spring washers and (H3) flat washers. Tighten using (H5) wrench.

*Please note: Before tightening, make sure the bottoms of (A, B) are flush.*

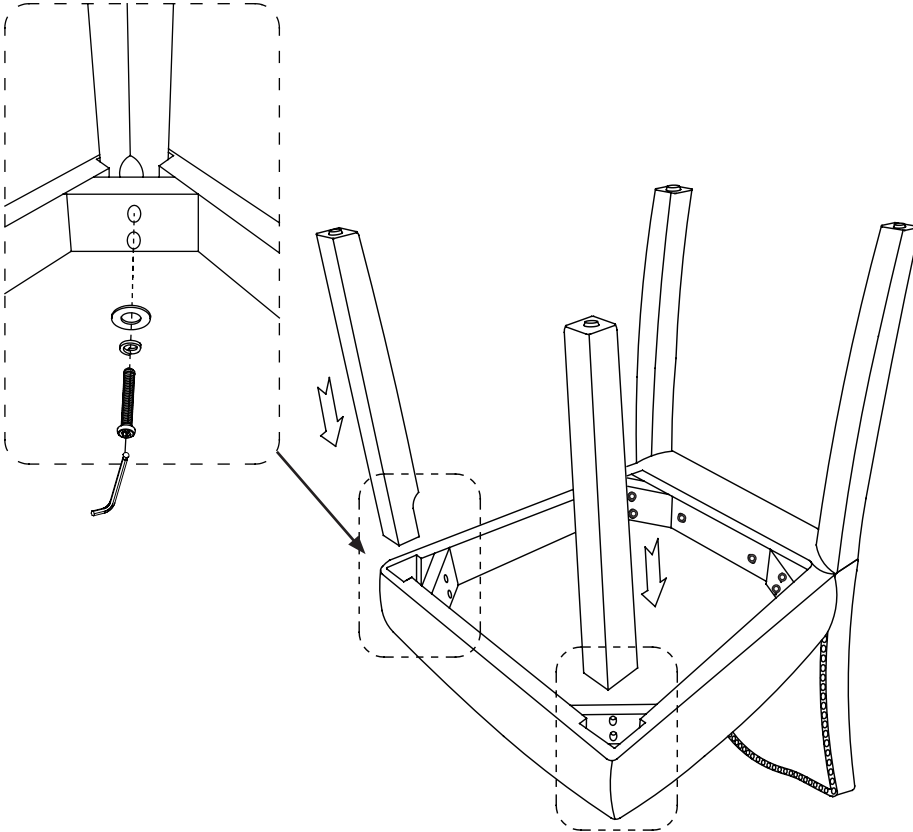


### 1.2

Finish attaching (B) seat to (A) back using (H4) bolts, (H2) spring washers and (H3) flat washers. Tighten using (H5) wrench.

# STANDARD DINING CHAIR ASSEMBLY

## STEP 2

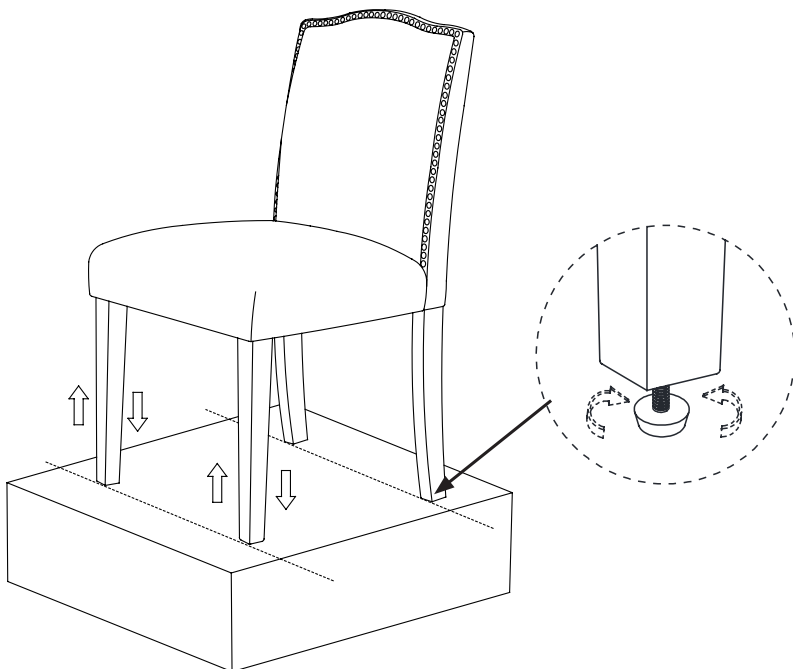


### 2.1

Insert (C) legs to (B) seat and attach using (H1) bolts, (H2) spring washers and (H3) flat washers.

*Please note: leave bolts loose until Step 3.1*

## STEP 3



### 3.1

Turn assembled chair upright and place on a flat surface. Push legs up or down as necessary to level.

Once level, tighten all bolts.

*Please note: each (C) leg has an adjustable cap to help level your chair.*