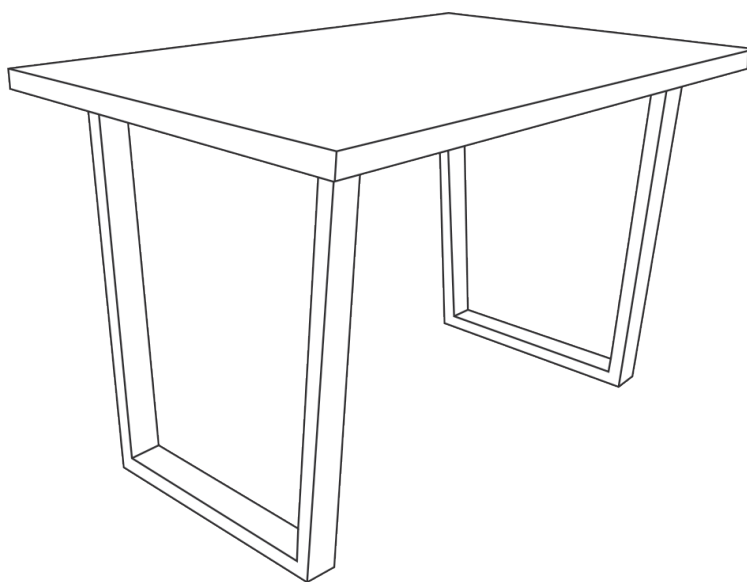


DINING TABLE

ASSEMBLY GUIDE



Important - Please read these instructions fully before starting assembly



**SAFETY AND
CARE ADVICE**



NO POWER TOOLS

SAFETY AND CARE ADVICE

- Check you have all the components and tools listed.
- Remove all fittings from the plastic bags and separate them into their groups.
- We do not recommend the use of power drills/drivers for inserting screws, as this could damage the unit. Only use hand screwdrivers and Allen keys.
- Keep children and animals away from the work area, small parts could cause choking if swallowed.
- Make sure you have enough space to layout the parts before starting.
- Assemble the item as close to its final position (in the same room) as possible.
- Do not overtighten the nuts to avoid causing damage to the threads.
- Only clean using a damp cloth and mild detergent, do not use bleach or abrasive cleaners.
- From time to time check that there are no loose screws on this unit
- This product should not be discarded with household waste. Take to your local authority waste disposal centre

IMPORTANT INFORMATION



30 MINUTE
BUILD








TWO
PERSON



MAXIMUM
CAPACITY 100Kg

PLEASE CHECK CAREFULLY AND MAKE SURE YOU HAVE ALL FITTINGS AND TOOLS LISTED BELOW BEFORE YOU START.

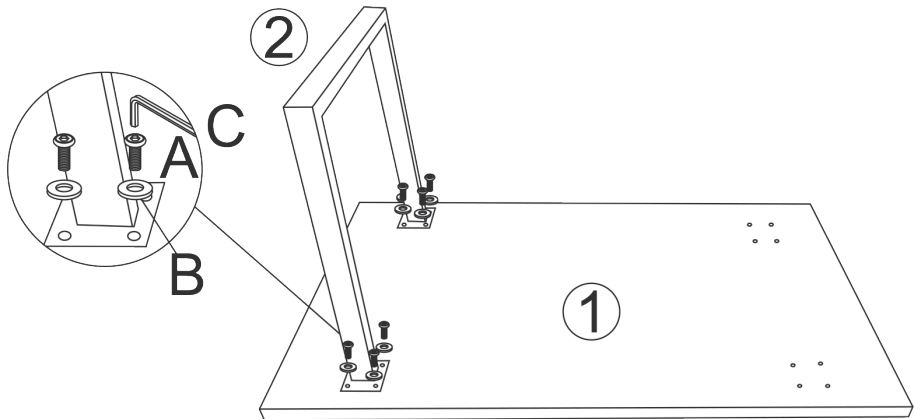
<p>①</p>  <p>X1</p>	<p>A</p>  <p>8x25MM X16</p>
	<p>B</p>  <p>8x22MM X16</p>
<p>②</p>  <p>X2</p>	<p>C</p>  <p>Ø5MM X1</p>

NOTE: The quantities above are the correct amount to complete the assembly. In some cases more fittings may be supplied than are required.

STEP 1

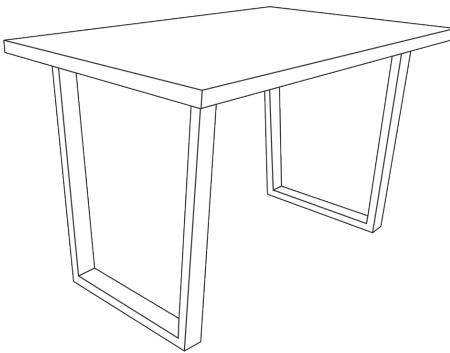
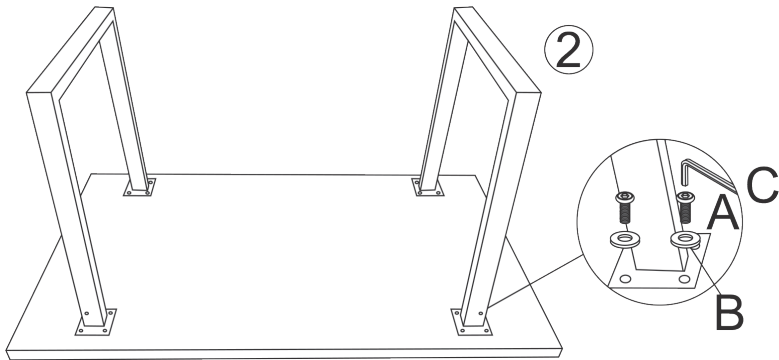
Use a clear, flat, soft surface to avoid bumps or scratches.

Place tabletop [1] face down on soft, flat surface.
Attach 1 x leg [2] using 4 x washer B] followed by 4 x screw [A] on either leg end. Tighten with Allen key [C].



STEP 2

Attach second leg [2] to tabletop using 4 x washer [B] followed by 4 x screw [A] on either leg end. Tighten with Allen key [C].



STEP 3

ATTENTION: Carefully, and with help, turn your table over so it rests on its base. Check for stability. Your dining table is now ready to use.



OUR 1 YEAR GUARANTEE

our products come with a 1 year guarantee to give you peace of mind shopping



WHAT THE GUARANTEE COVERS



PRE-INSERTED FIXINGS
e.g. lose metal threads



FAULTY JOINTS
e.g. legs bending



EXTERNAL FIXING FAULTS
e.g. metal discs removing
from table top



STRUCTURAL INTEGRITY
e.g. the frame of the
product