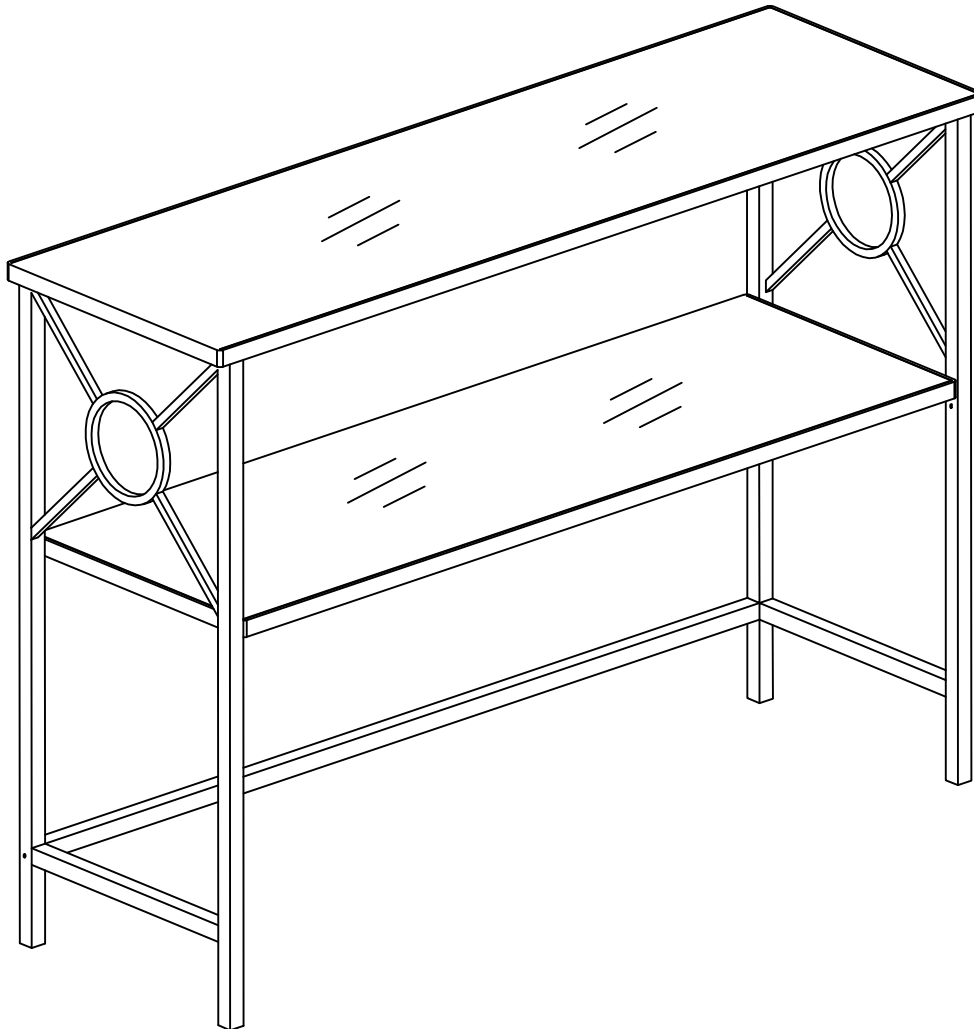


# ASSEMBLY INSTRUCTIONS

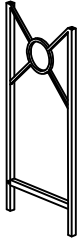
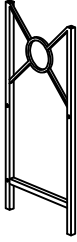



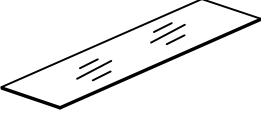
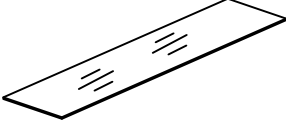
## Console Table







### NOTE TO CUSTOMERS:

- For ease and speed of assembly we recommend that before you commence each step of the assembly that you identify all the parts required to complete that step.
- We recommend that where possible you allow sufficient space to assemble the item as close as possible to the place where it will be once assembled.
- For the protection of your furniture we recommend that the product is placed on protected surfaces during assembly to prevent any damage.
- During assembly do not over tighten, as this may damage the product.
- Please ensure you retain all the product packaging until the item completely assembled.
- Please periodically check all fittings and re-tighten as necessary.
- It is recommended that this item should be assembled by two adults.

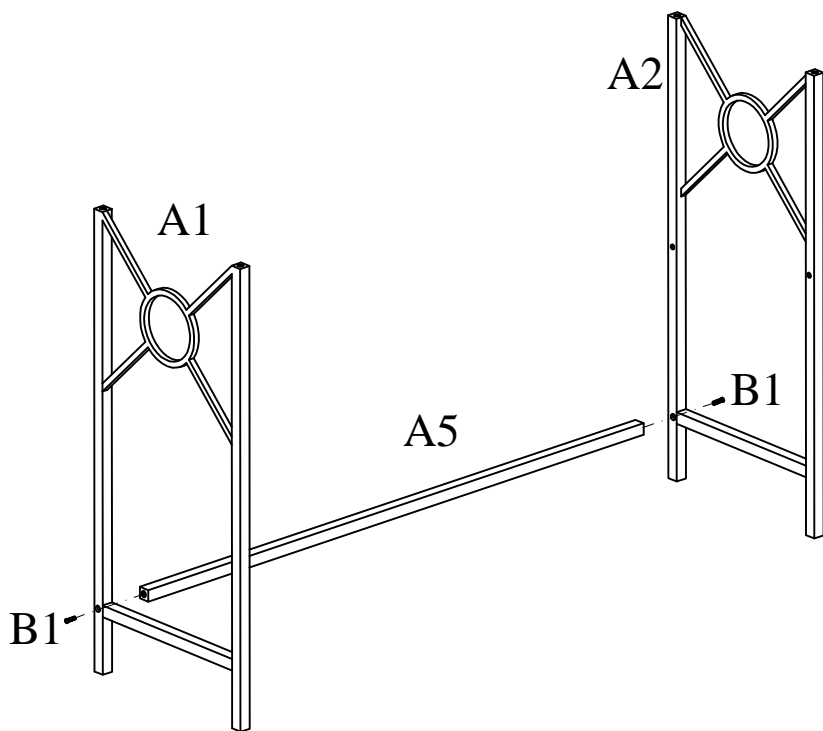
## Part List


A1  1pc Left Frame	A2  1pc Right Frame	A3  1pc Middle Frame	A4  1pc Top Frame
A5  1pc Connect Bar	A6  1pc Middle Glass	A7  1pc Top Glass	

## Hardware List

B1  2pcs Bolt	B2  8pcs Bolt	B3  8pcs Cap	B4  1pc Allen Wrench
---	---	---	--

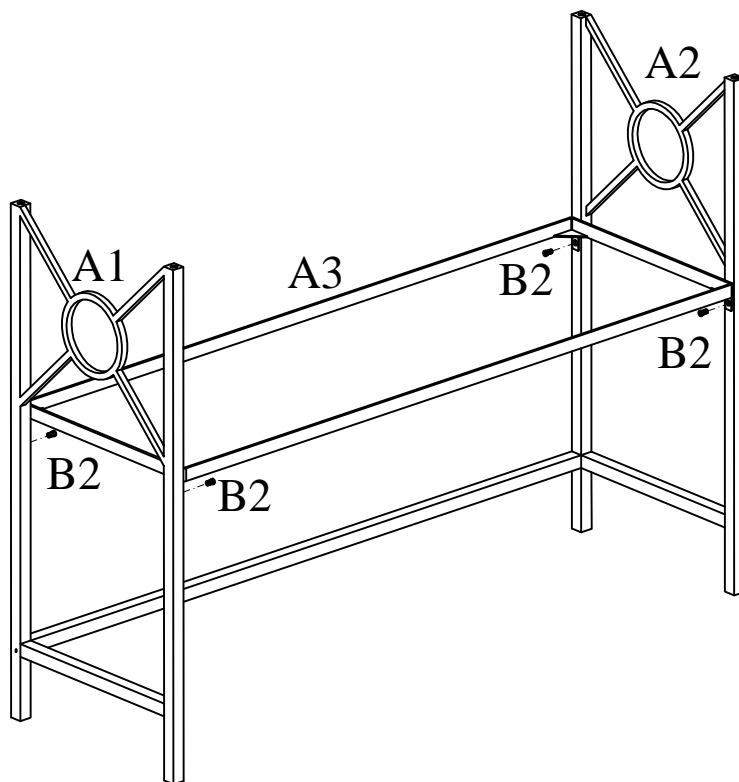
## STEP 1



B1  2pcs

Assemble Connecting Bar A5 to Side Frames A1 & A2 using Bolts B1.  
Note: Please do not tighten bolts B1 until Step 4.

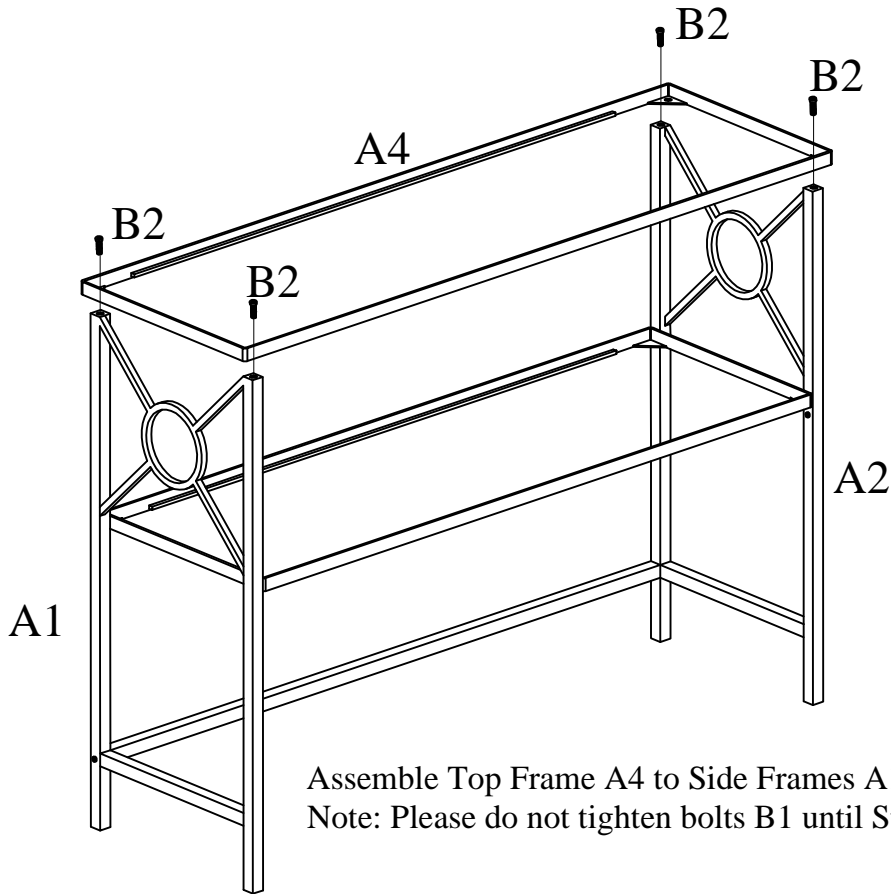
## STEP 2



B2  4pcs

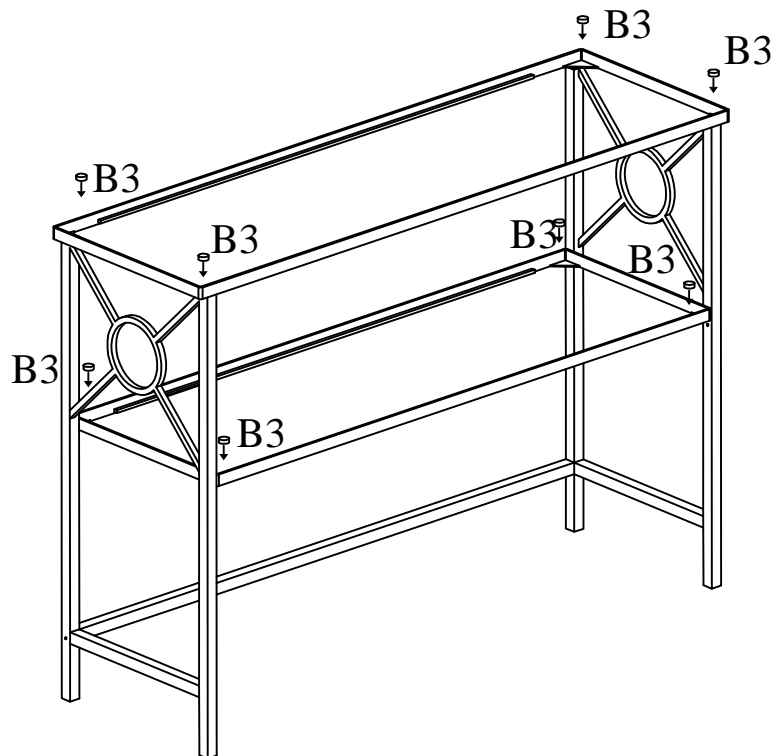
Assemble Middle Frame A3 to Side Frames A1 & A2 using Bolts B2.  
Note: Please do not tighten bolts B2 until Step 4.

STEP 3



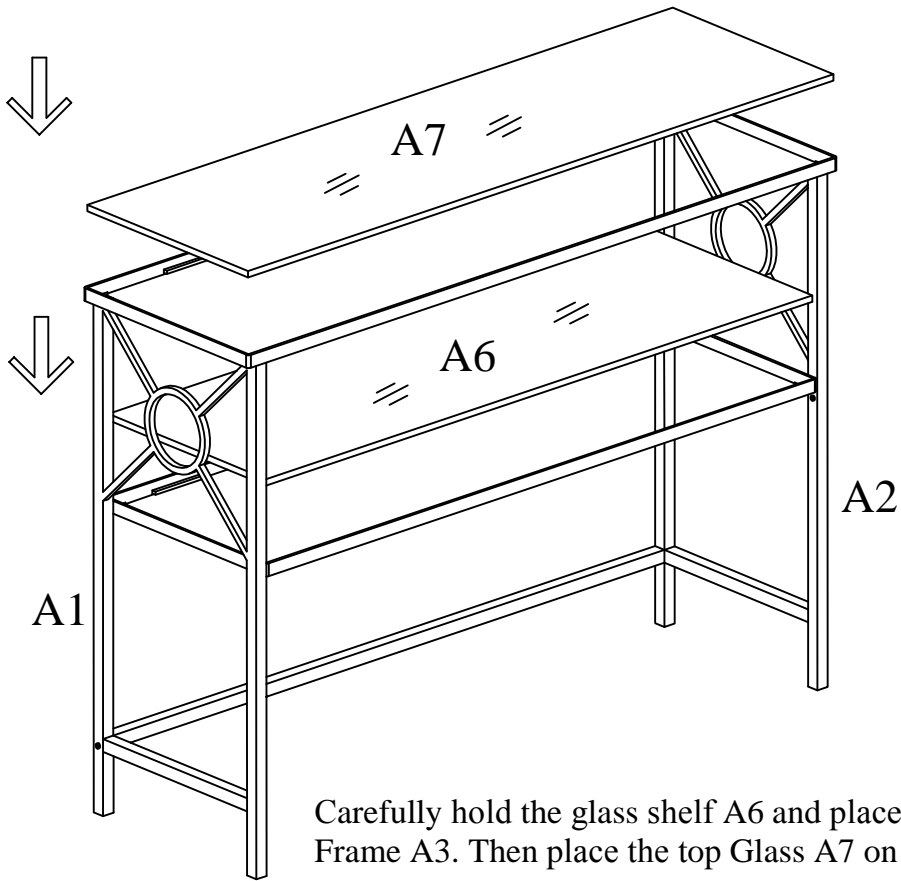
Assemble Top Frame A4 to Side Frames A1 & A2 using Bolts B 2.  
Note: Please do not tighten bolts B1 until Step 4.

STEP 4



- 1). Place this table on the floor to check if it is stable before tightening all bolts at this step.
- 2). Place the caps B3 on the corners of Middle Frame A3, then cover the head of bolts B2 on the corner of Top Frame A4 by Caps B3.

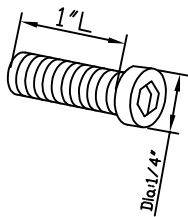
**STEP 5**



Carefully hold the glass shelf A6 and place it onto the Middle Frame A3. Then place the top Glass A7 on the top frame A4

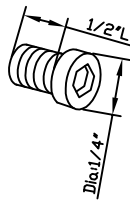
**Appendix: Dimension of Hardwares In this AI**

B1



Bolt

B2



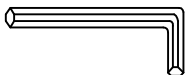
Bolt

B3



Cap

B4



Allen Wrench