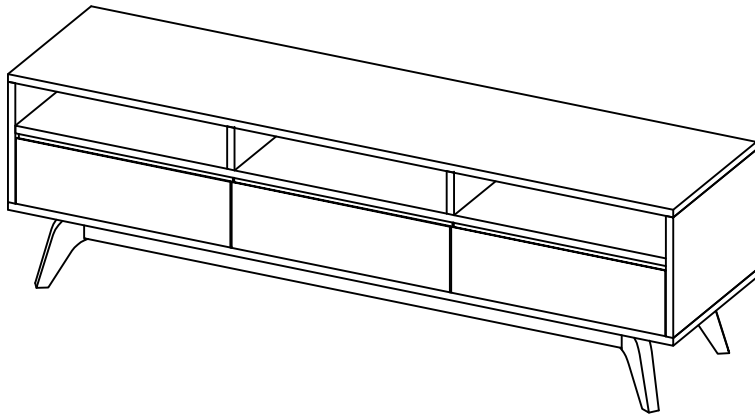


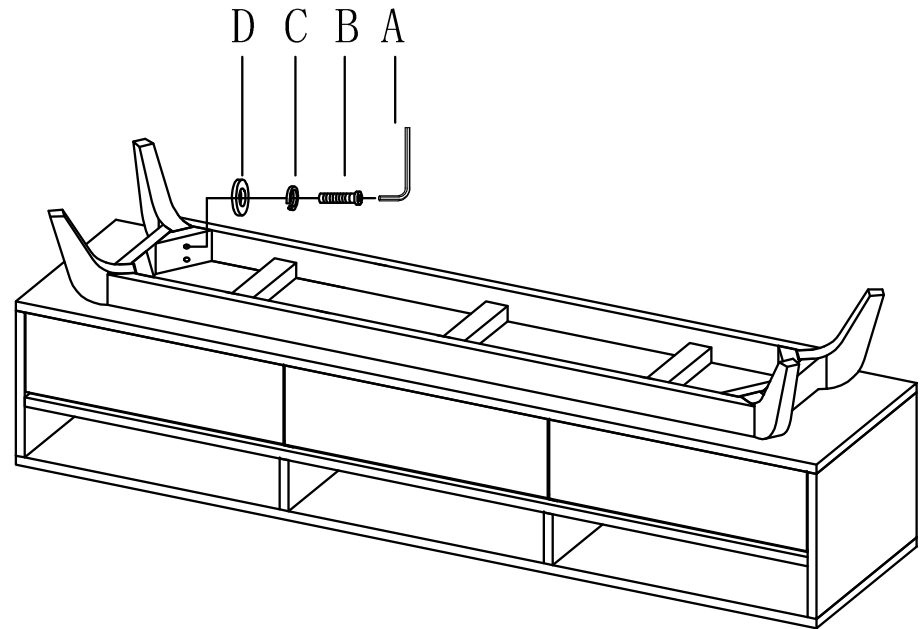
Assembly Instructions

Media Stand

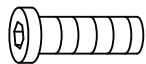
PLEASE NOTE: Check that you have received all components and hardware before assembling. If you are missing any parts, contact your retailer.



1



A (1 pc)
5mm



B (8 pcs)
M8x65



C (8 pcs)
Ø8



D (8 pcs)
Ø8

During assembly, hand tighten screws only. When the screws are in place, tighten completely.