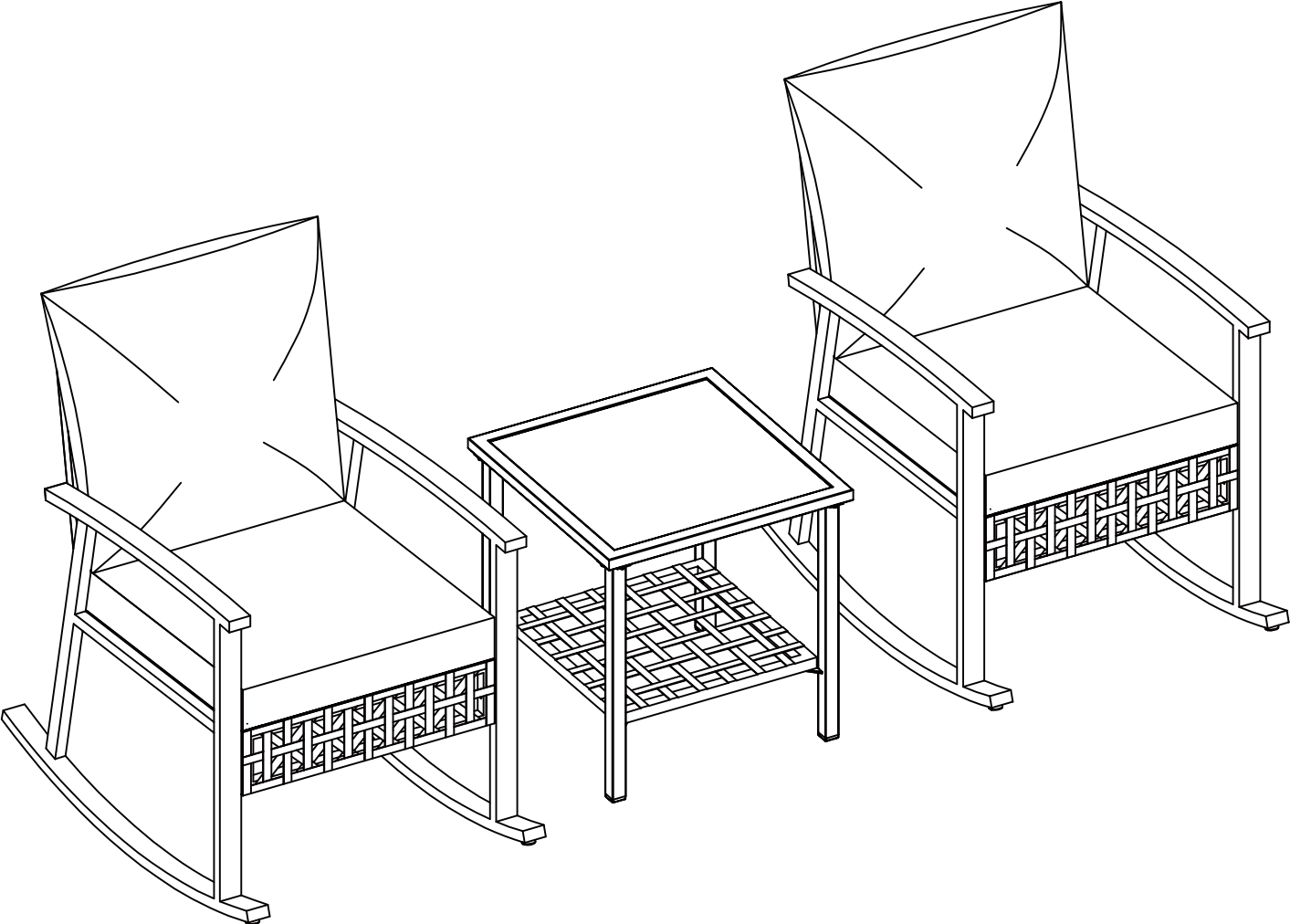
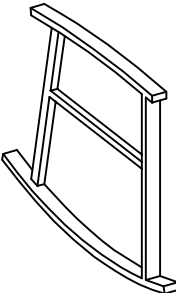
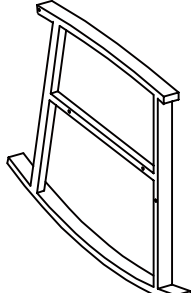
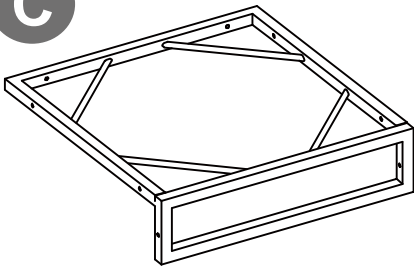
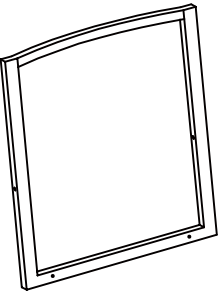
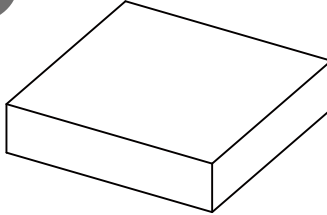
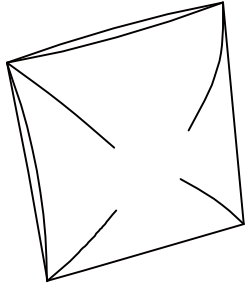
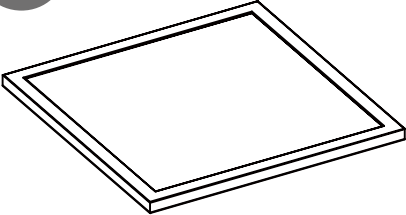
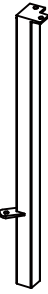
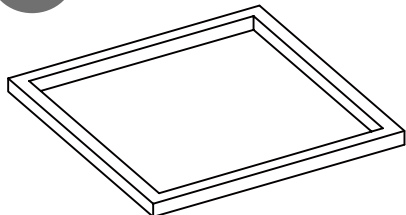
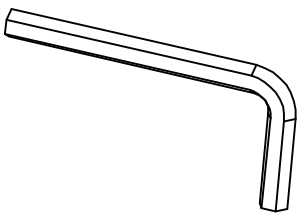
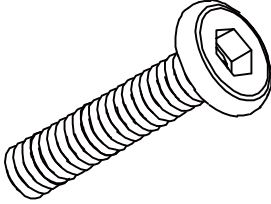
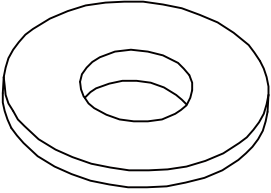
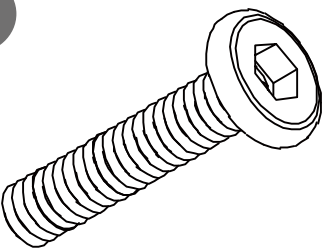
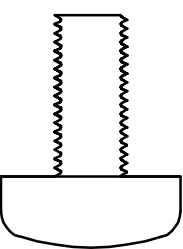


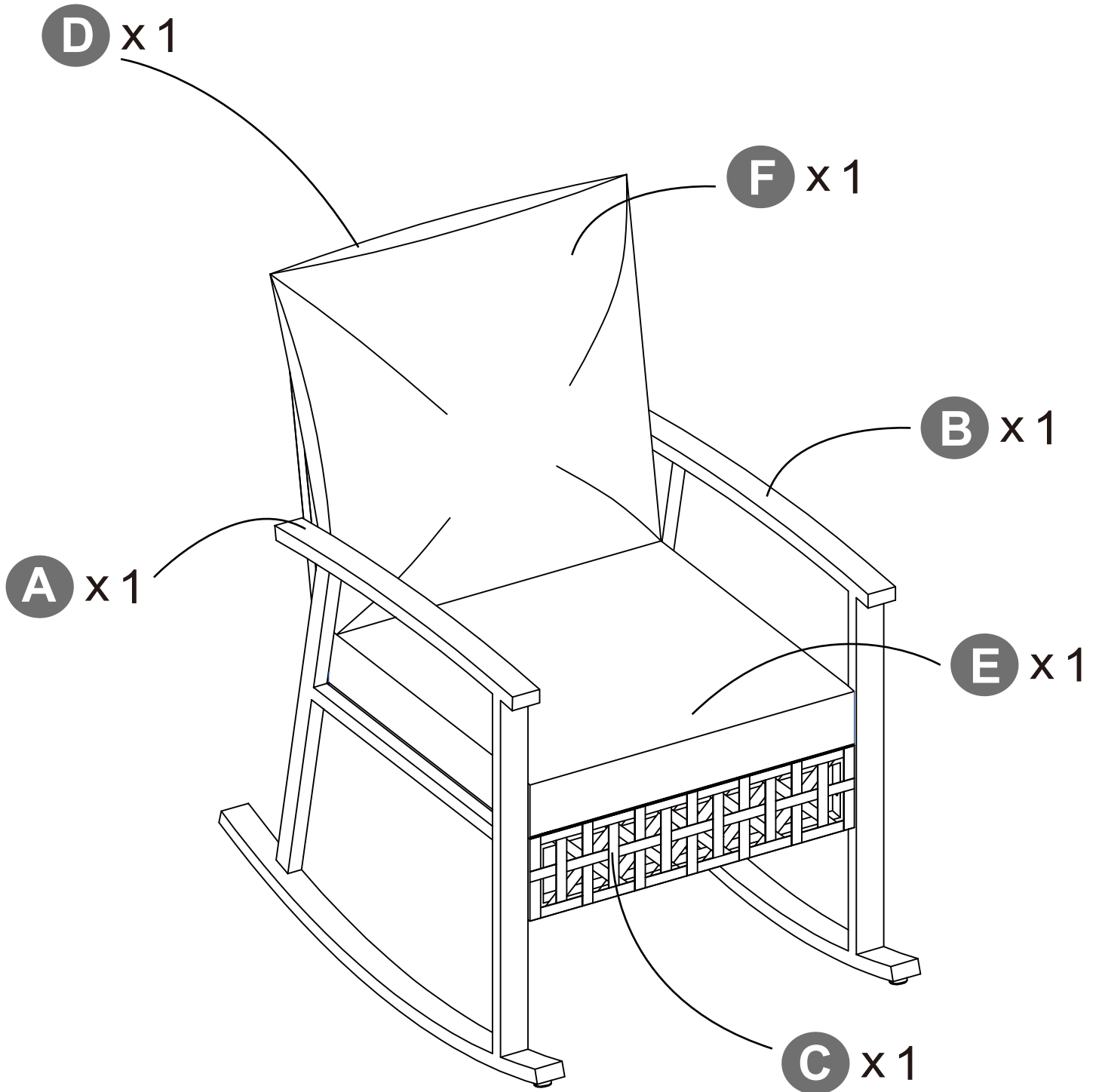
ASSEMBLY INSTRUCTIONS



ACCESSORY LIST

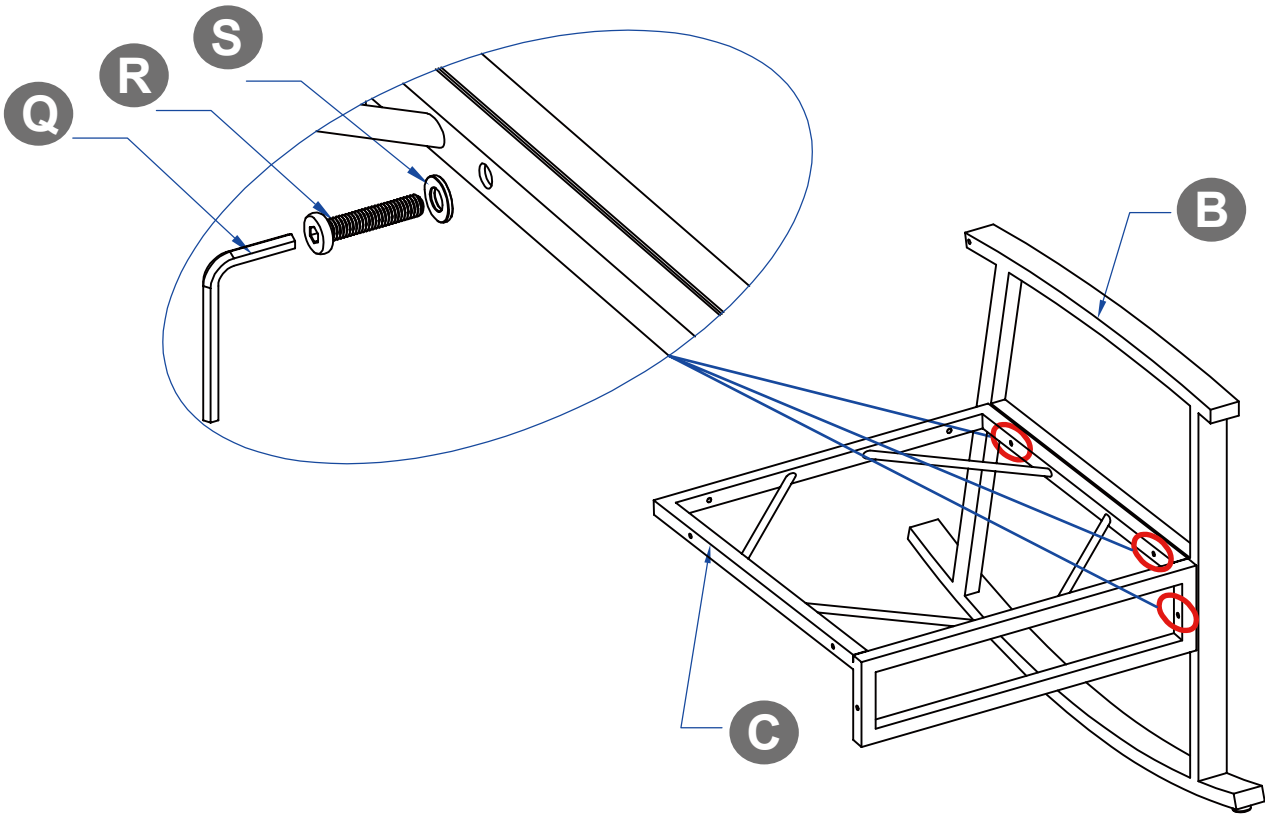
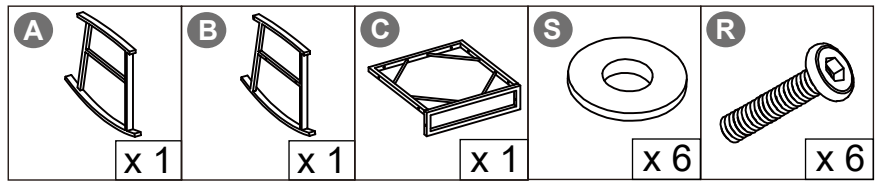
<p>A</p>  <p>Arm rest-L x 2</p>	<p>B</p>  <p>Arm rest-R x 2</p>	<p>C</p>  <p>Seat frame x 2</p>
<p>D</p>  <p>Back frame x 2</p>	<p>E</p>  <p>Seat cushion x 2</p>	<p>F</p>  <p>Back cushion x 2</p>
<p>G</p>  <p>Table top x 1</p>	<p>H</p>  <p>Table feet x 4</p>	<p>I</p>  <p>Layer frame x 1</p>
<p>Q</p>  <p>Wrench x 1</p>	<p>R</p>  <p>M6*35mm x 20</p>	<p>S</p>  <p>Flat Washer x 32</p>
<p>T</p>  <p>M6*15mm x 12</p>	<p>U</p>  <p>Adjust screw x 8</p>	

ROCKING CHAIR EXPLODED DRAWING:

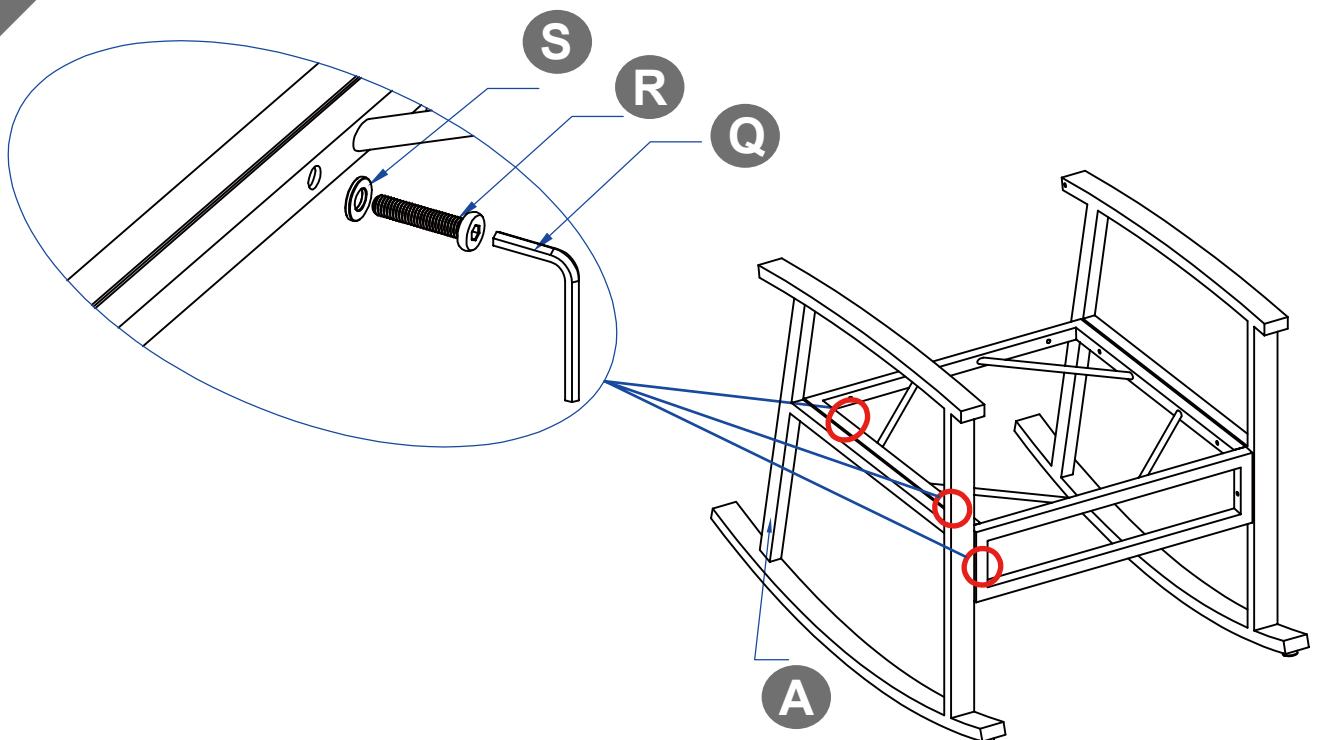


STEP

1



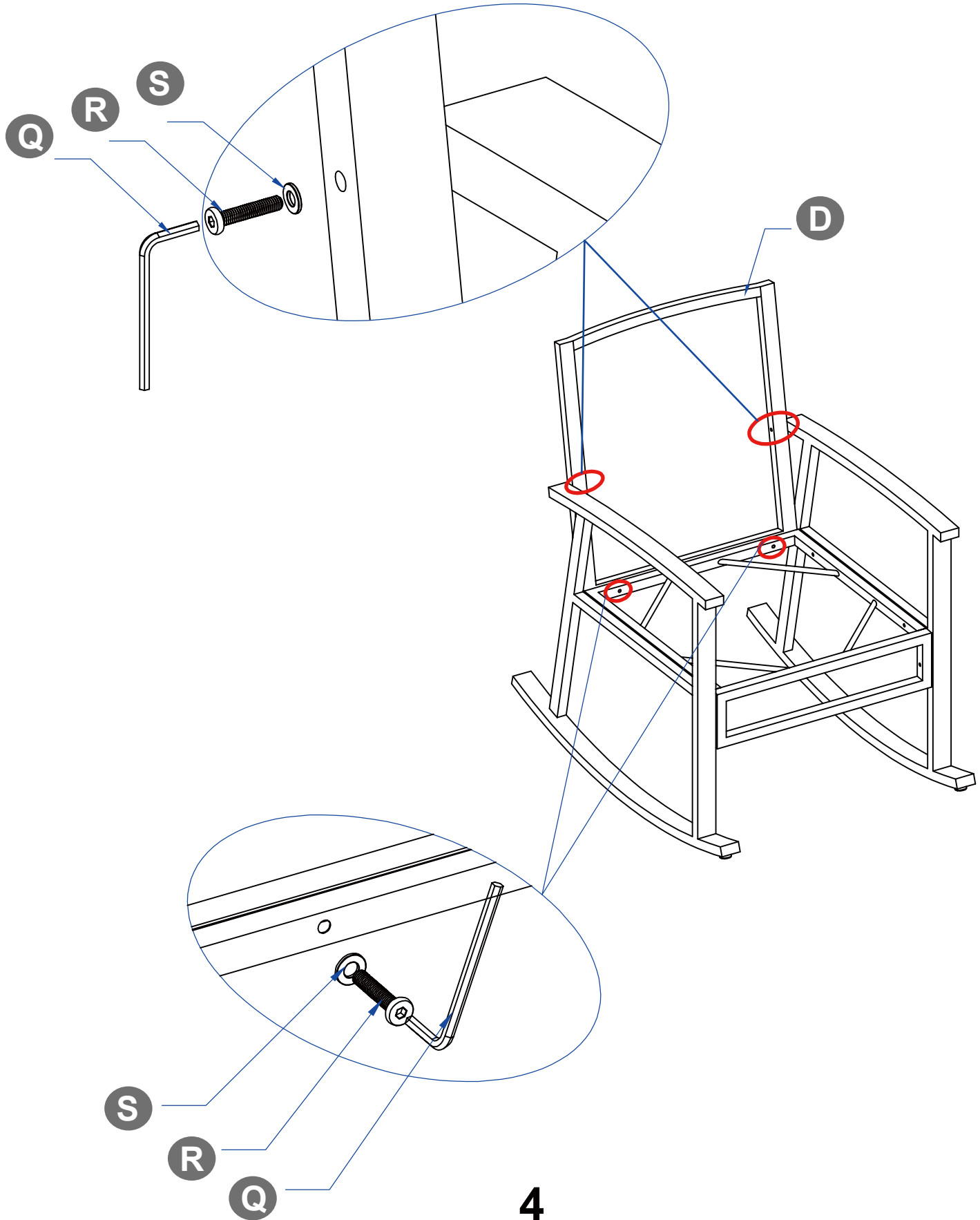
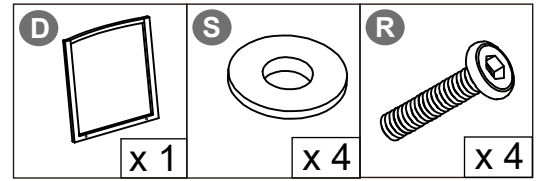
2



3

STEP

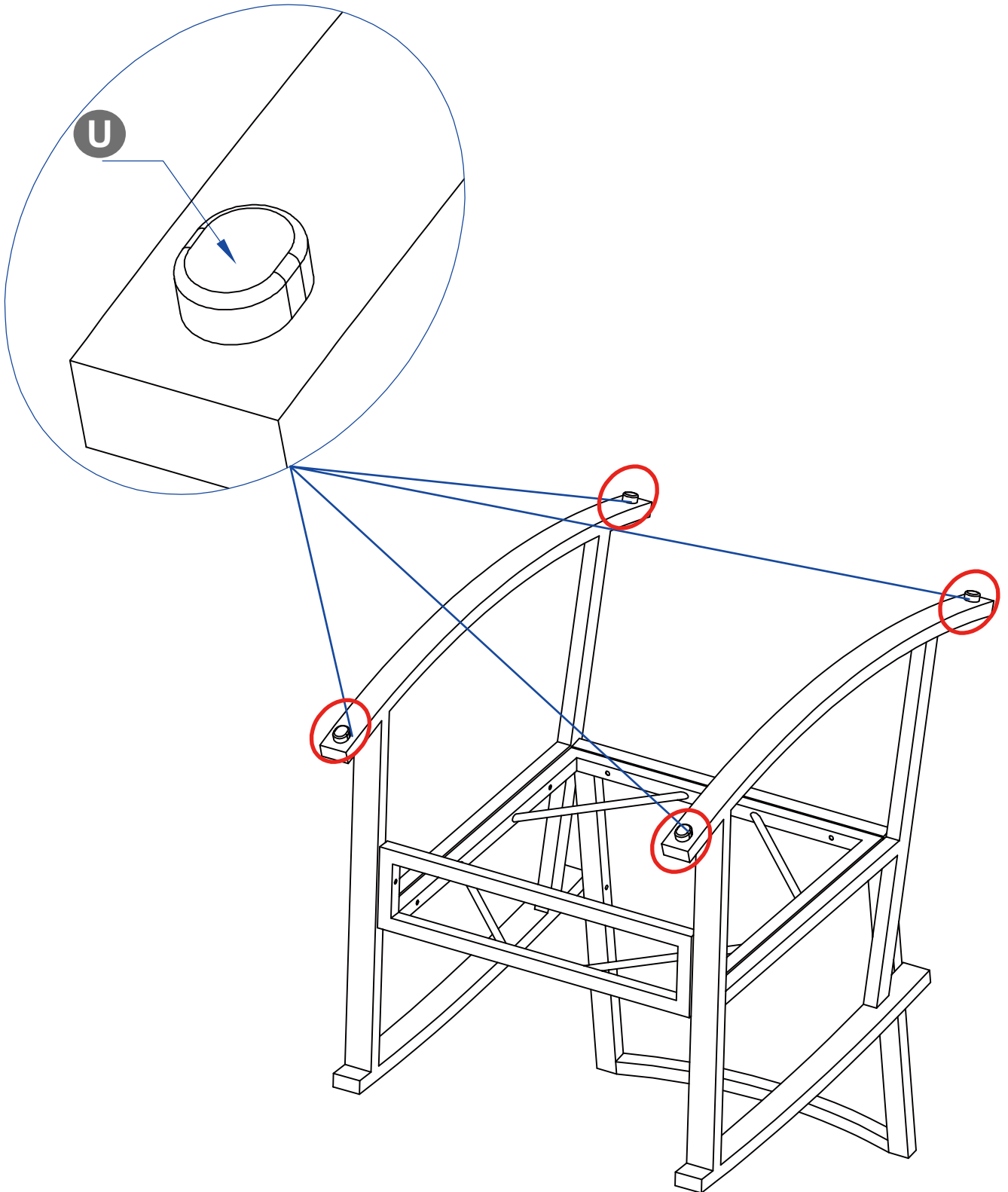
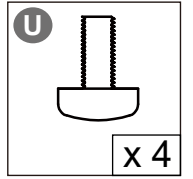
3



4

STEP

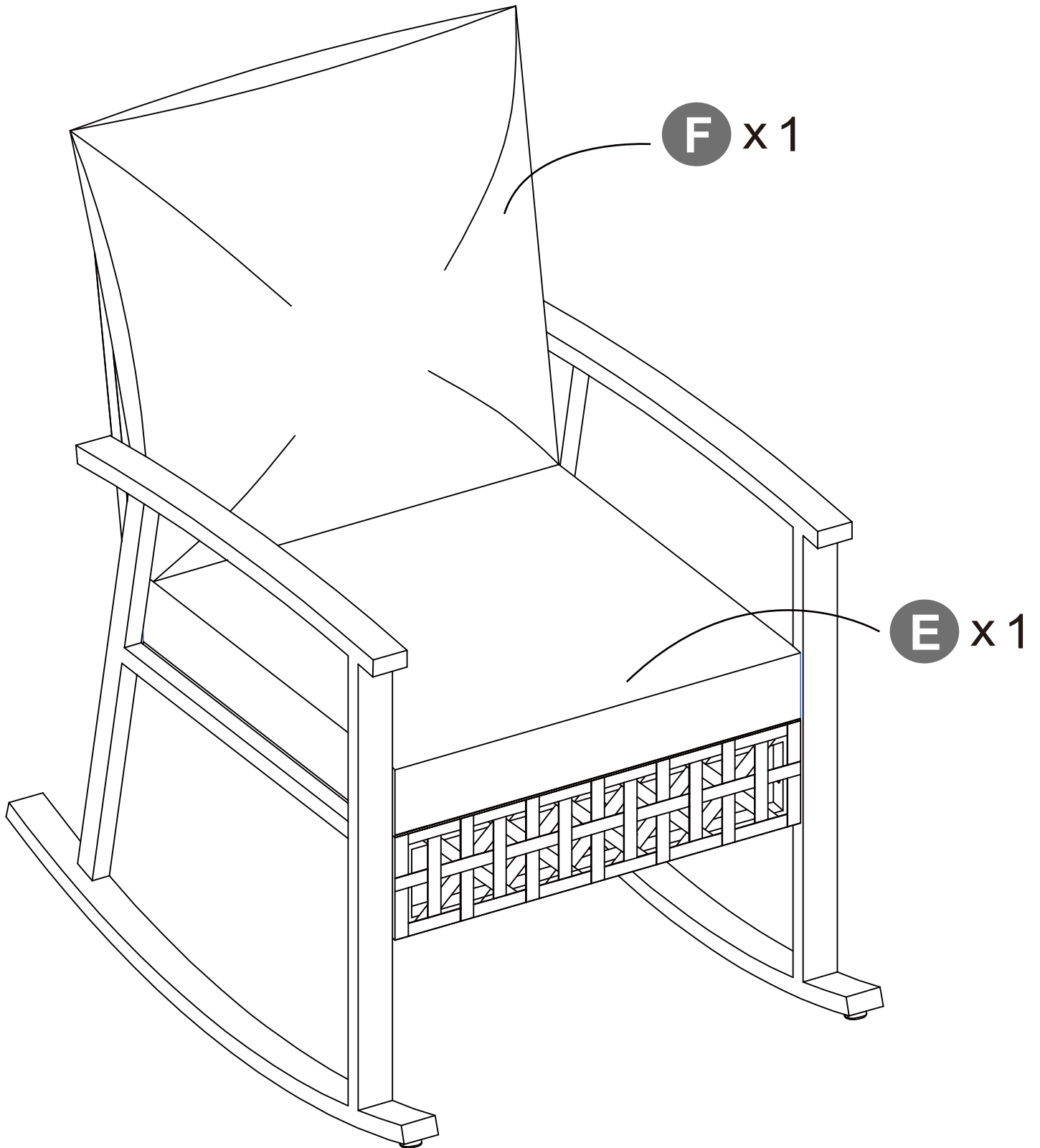
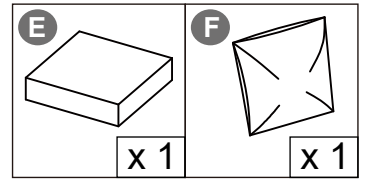
4



5

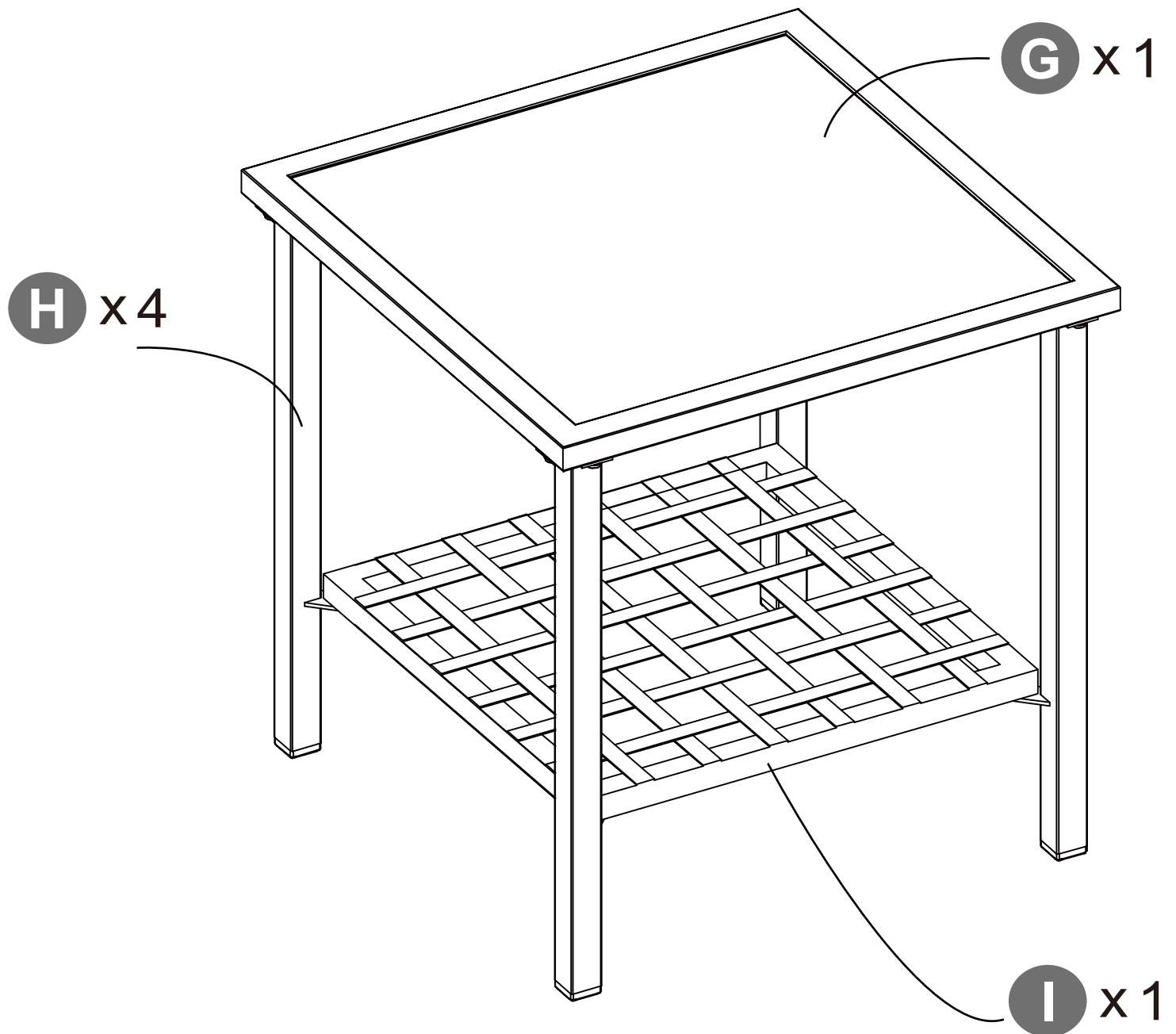
STEP

5



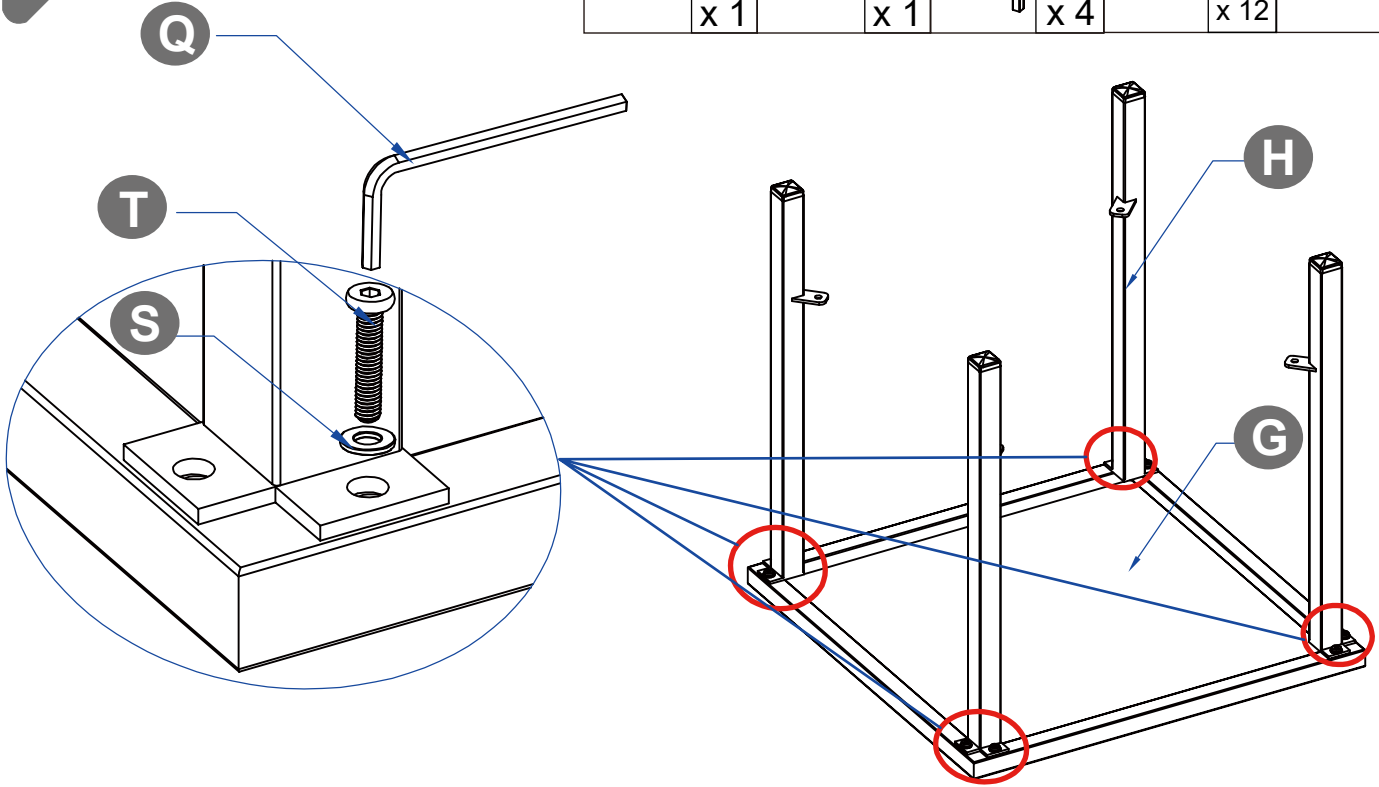
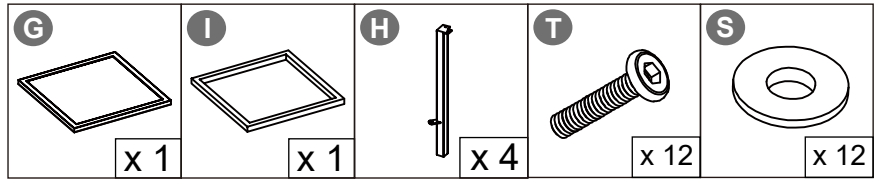
6

TABLE EXPLODED DRAWING:

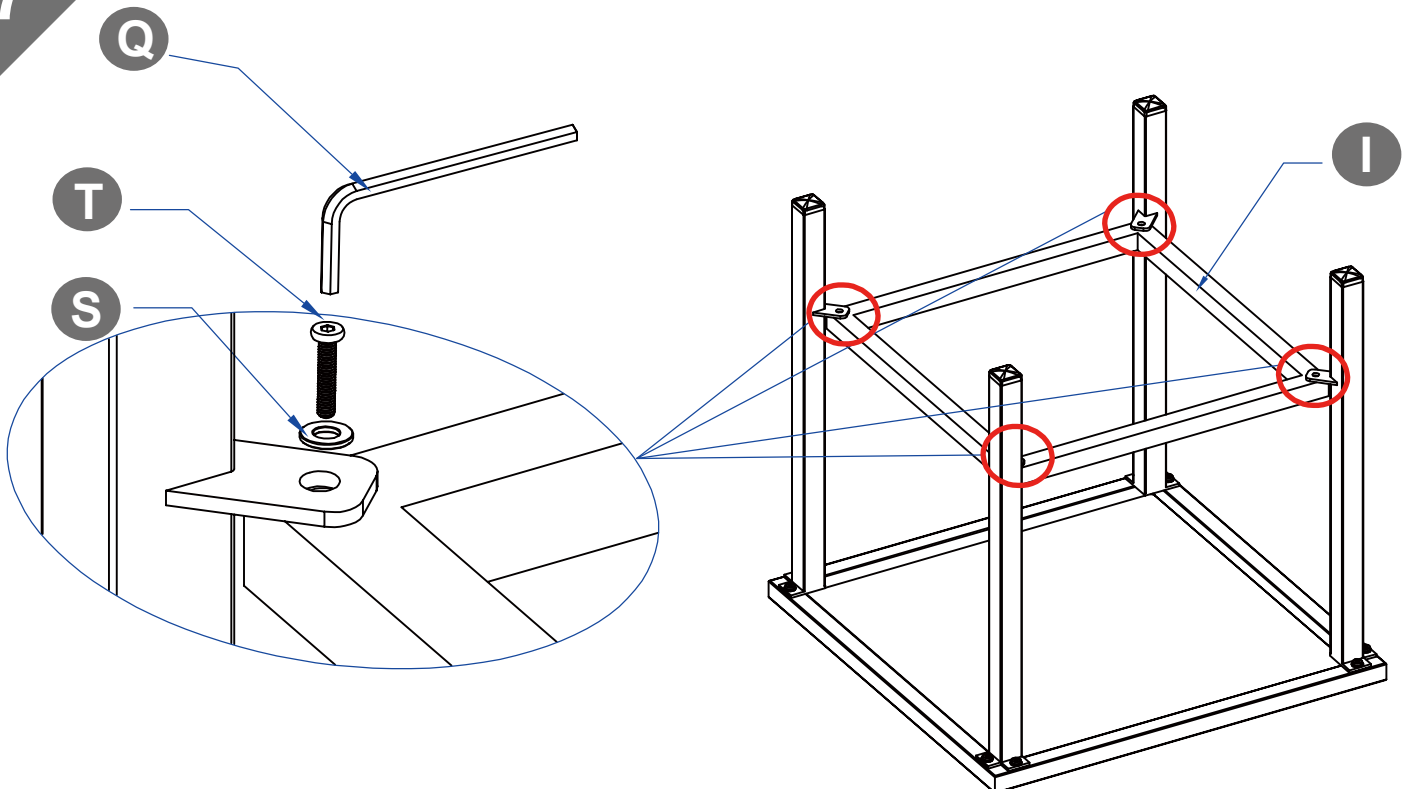


STEP

6



7



8

INSTALLATION COMPLETED:

