

80136-011 NS ASSEMBLY INSTRUCTION

Thank you for purchasing this quality product. Be sure to check all packing material carefully for small parts which may have come loose inside the carton during shipment. Separate, identify and count all parts and hardware. Compare with the parts list to be sure all parts are present.

IMPORTANT : PLEASE READ INSTRUCTION BEFORE STARTING THE ASSEMBLY.

"DO NOT TIGHTEN SCREWS UNTIL COMPLETELY ASSEMBLED"

"DO NOT OVERTIGHT ANY HARDWARE"

WARNING : SMALL PARTS AND HARDWARE NOT FOR CHILDREN UNDER 3 YEARS. ADULT ASSEMBLY REQUIRED.

TABLE OF CONTENTS

HARDWARES LIST

PAGE 2 - 3

PARTS LIST

PAGE 3 - 4

PARTS' LOCATION

PAGE 5

ASSEMBLY STEPS

PAGE 6 - 14

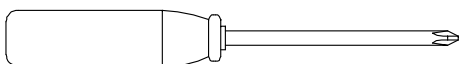
ASSEMBLY COMPLETED

PAGE 15

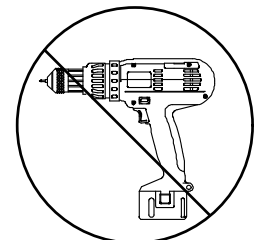
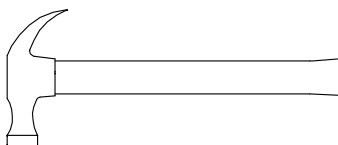
ASSEMBLY TOOLS REQUIRED

Skip the power drill this time.

1. Screwdriver (not provide)


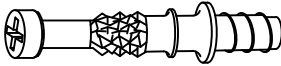


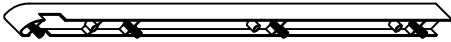

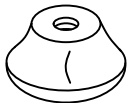

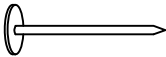


2. Hammer (not provide)



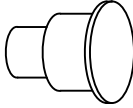
80136-011 NS ASSEMBLY INSTRUCTION

HARDWARES LIST

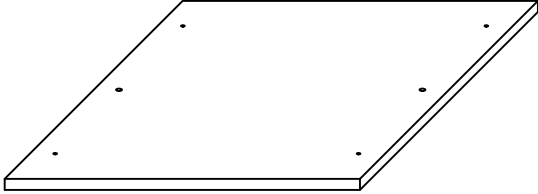
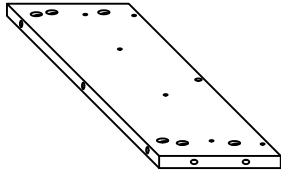
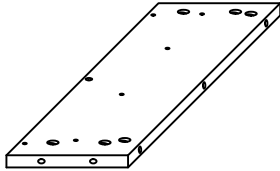
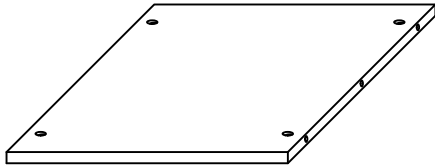

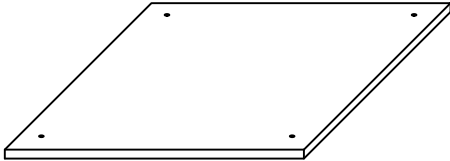
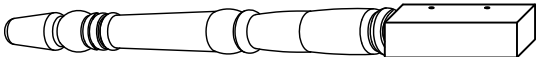

ITEM	DESCRIPTION	DRAWING	QTY
A	MINIFIX CAM LOCK		20 PCS
B	MINIFIX CAM BOLT		20 PCS
C	WOOD DOWEL (M8 x 25MM)		4 PCS
D	WOOD DOWEL (M6 x 25MM)		8 PCS
E	DRAWER SLIDE		2 PCS
F	CSK C/B SCREW (M4 x 16MM)		6 PCS
G	HANDLE		1 PC
H	TRUSS M-SCREW (20MM)		1 PC
I	6/8" NAIL		10 PCS

80136-011 NS ASSEMBLY INSTRUCTION

HARDWARES LIST

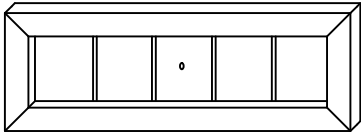
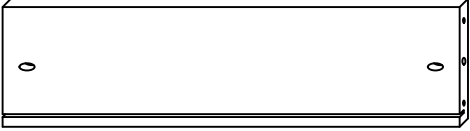
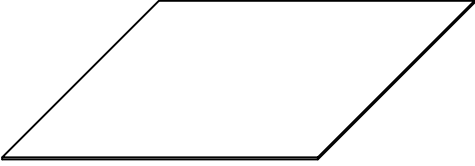
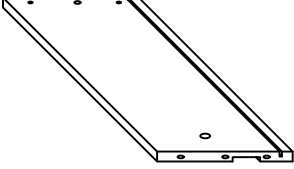
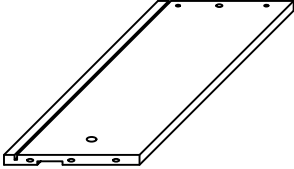
ITEM	DESCRIPTION	DRAWING	QTY
J	DRAWER STOPPER		2 PCS

PARTS LIST

ITEM	DESCRIPTION	DRAWING	QTY
N1	TOP PANEL		1 PC
N2	LEFT PANEL		1 PC
N3	RIGHT PANEL		1 PC
N4	UPPER BOTTOM PANEL		1 PC
N5	BACK PANEL		1 PC
N6	LOWER BOTTOM PANEL		1 PC
N7	WOODEN LEG (i)		2 PCS
N8	WOODEN LEG (ii)		2 PCS

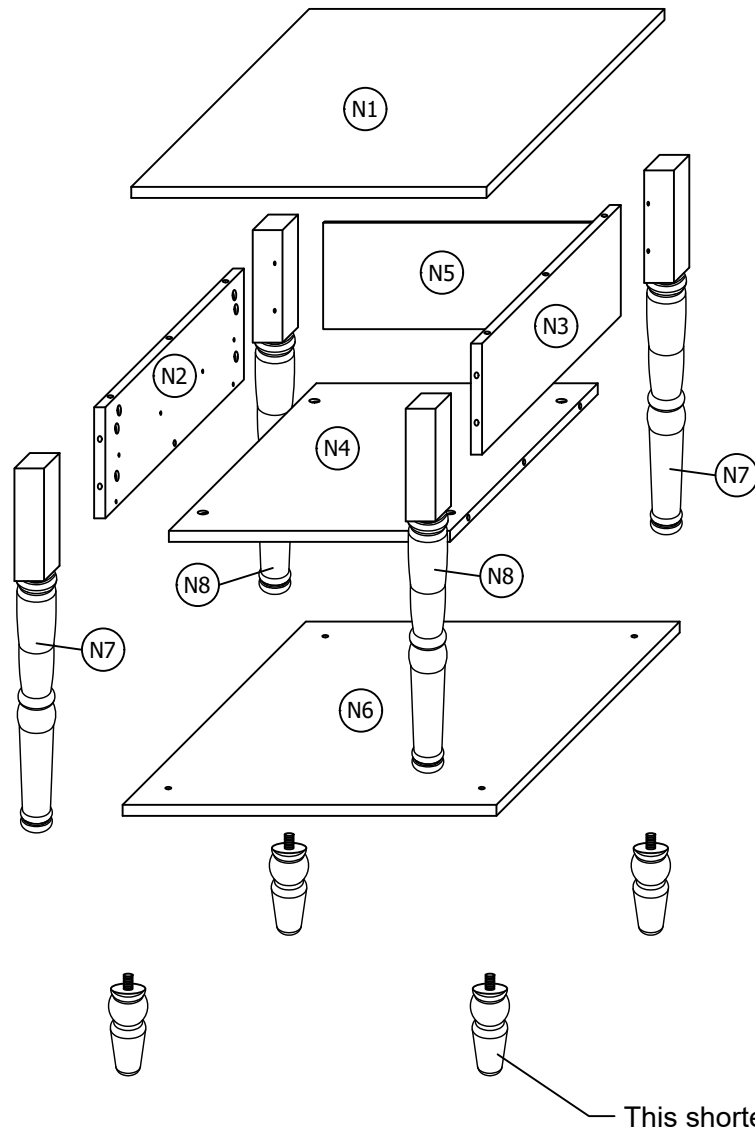
80136-011 NS ASSEMBLY INSTRUCTION

PARTS LIST

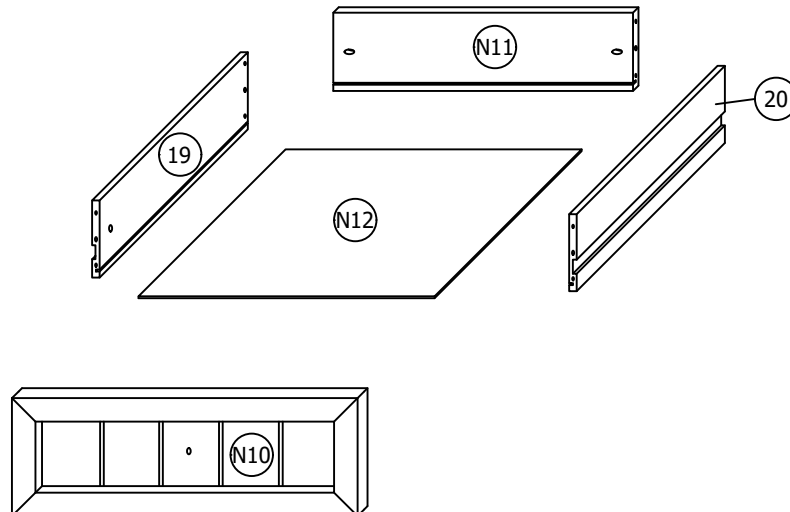
ITEM	DESCRIPTION	DRAWING	QTY
N10	DRAWER HEAD		1 PC
N11	DRAWER BACK PANEL		1 PC
N12	DRAWER BOTTOM PANEL		1 PC
19	DRAWER LEFT PANEL		1 PC
20	DRAWER RIGHT PANEL		1 PC

PARTS ' LOCATION

NIGHTSTAND x 1 PC



DRAWER x 1 PC

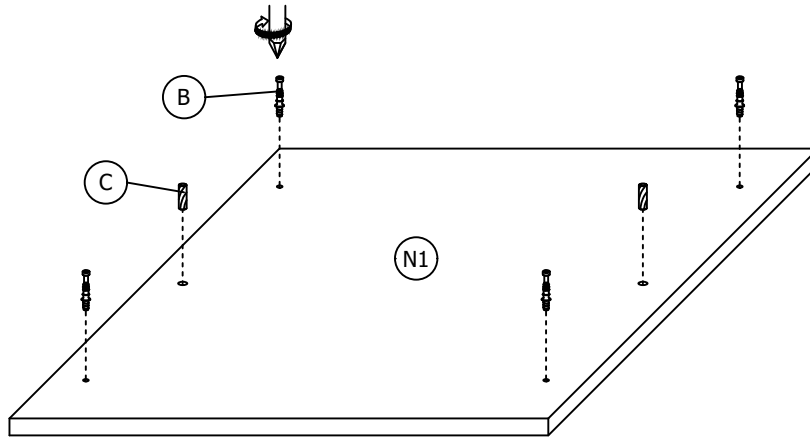


80136-011 NS ASSEMBLY INSTRUCTION

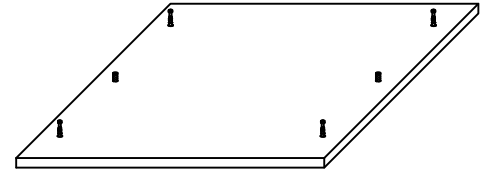
ASSEMBLY STEPS

STEP 1

Insert 4 pieces (B) , 2 pieces (C) to (N1) as shown.

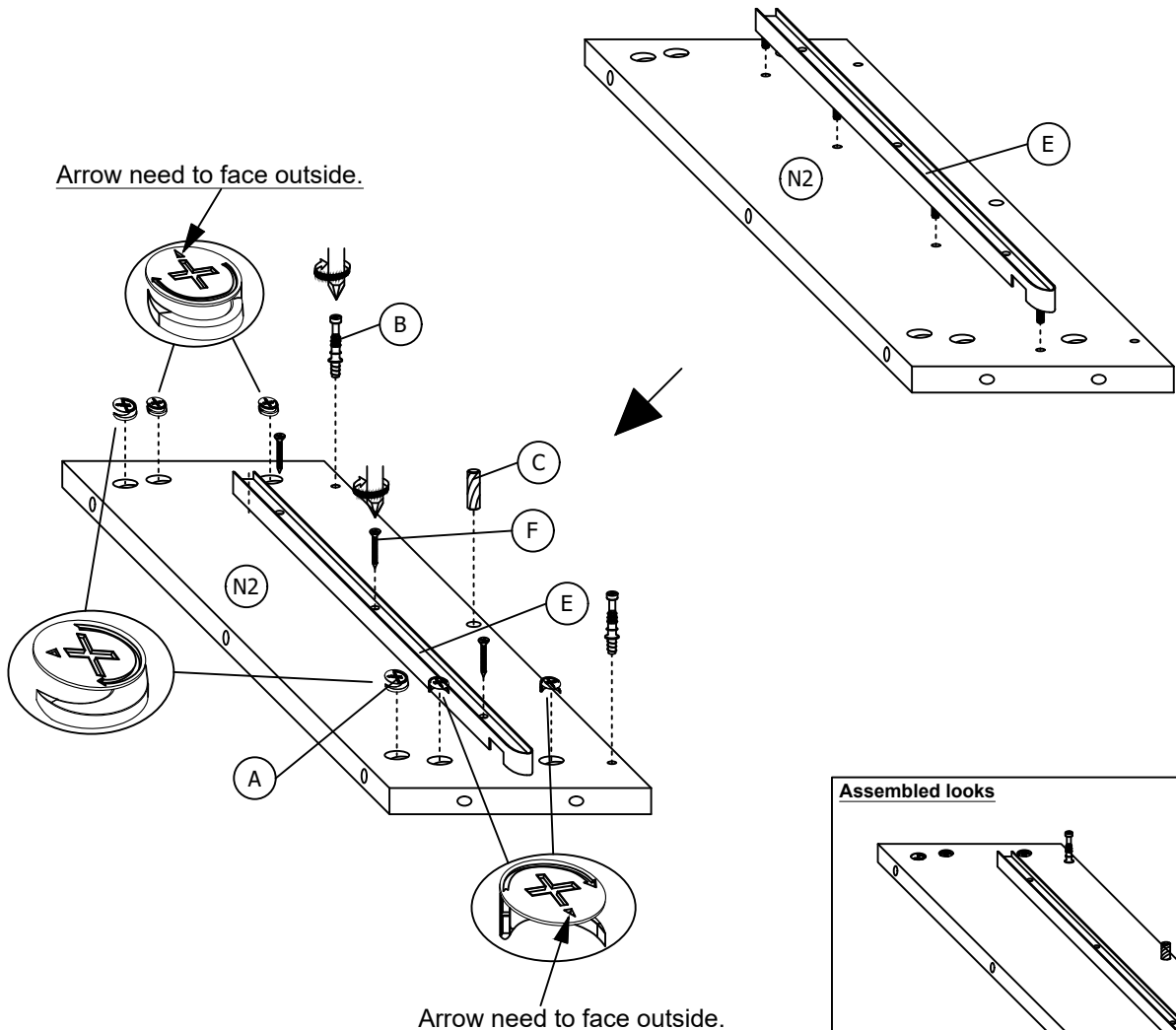


Assembled looks

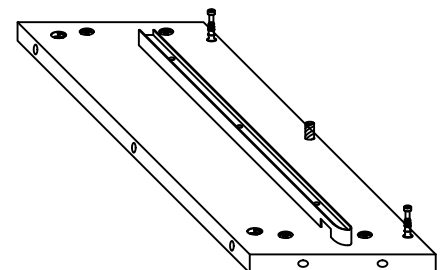


STEP 2

Insert the (E) to (N2) then tighten by 3 pieces (F) afterwards. Insert 6 pieces (A), 2 pieces (B), 1 piece (C) to (N2) as shown.



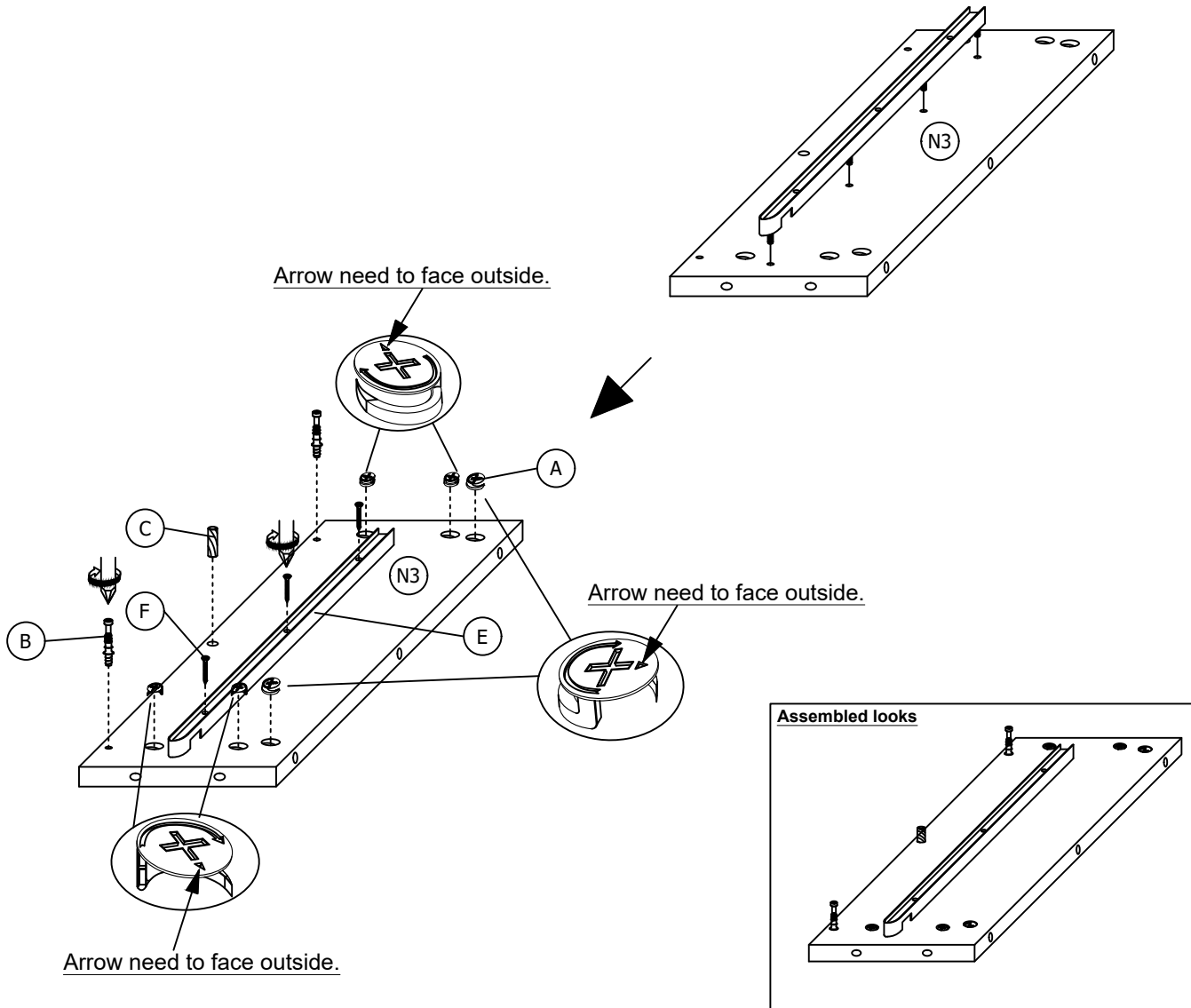
Assembled looks



80136-011 NS ASSEMBLY INSTRUCTION

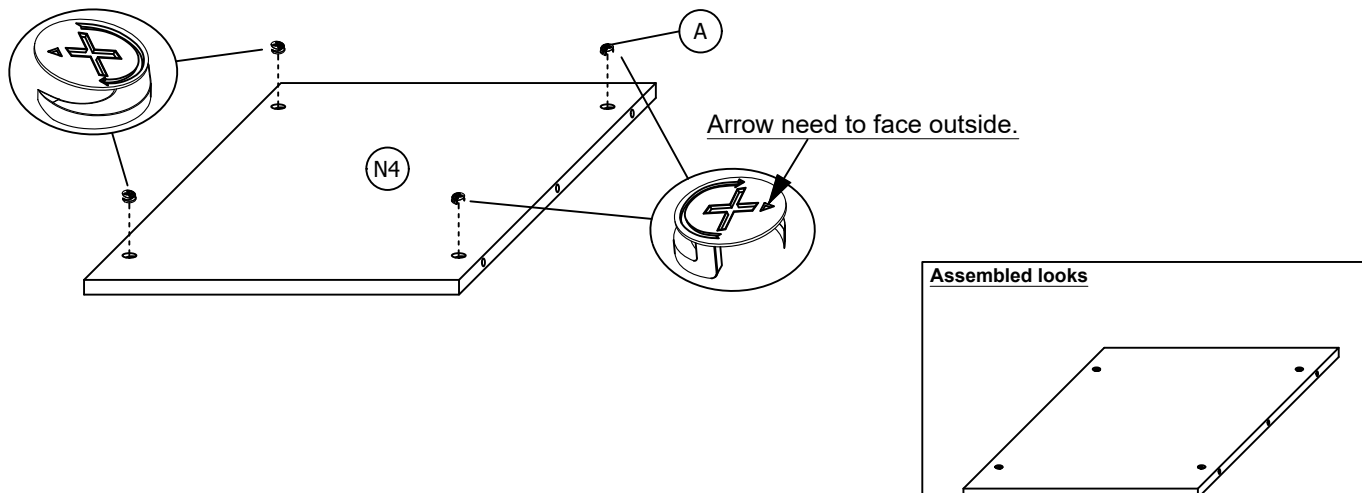
STEP 3

Insert the (E) to (N3) then tighten by 3 pieces (F) afterwards. Insert 6 pieces (A), 2 pieces (B), 1 piece (C) to (N3) as shown.



STEP 4

Insert 4 pieces (A) to (N4) as shown.

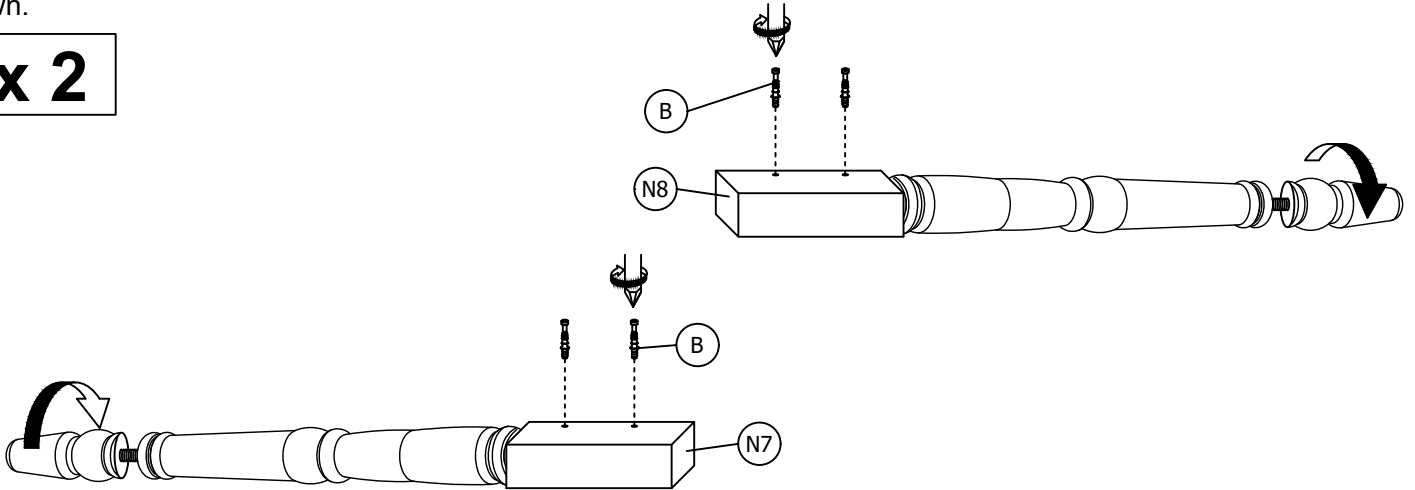


80136-011 NS ASSEMBLY INSTRUCTION

STEP 5

Insert 2 pieces (B) to (N7),(N8) separately. Turn (N7),(N8) counterclockwise and take out the shorter one of the leg as shown.

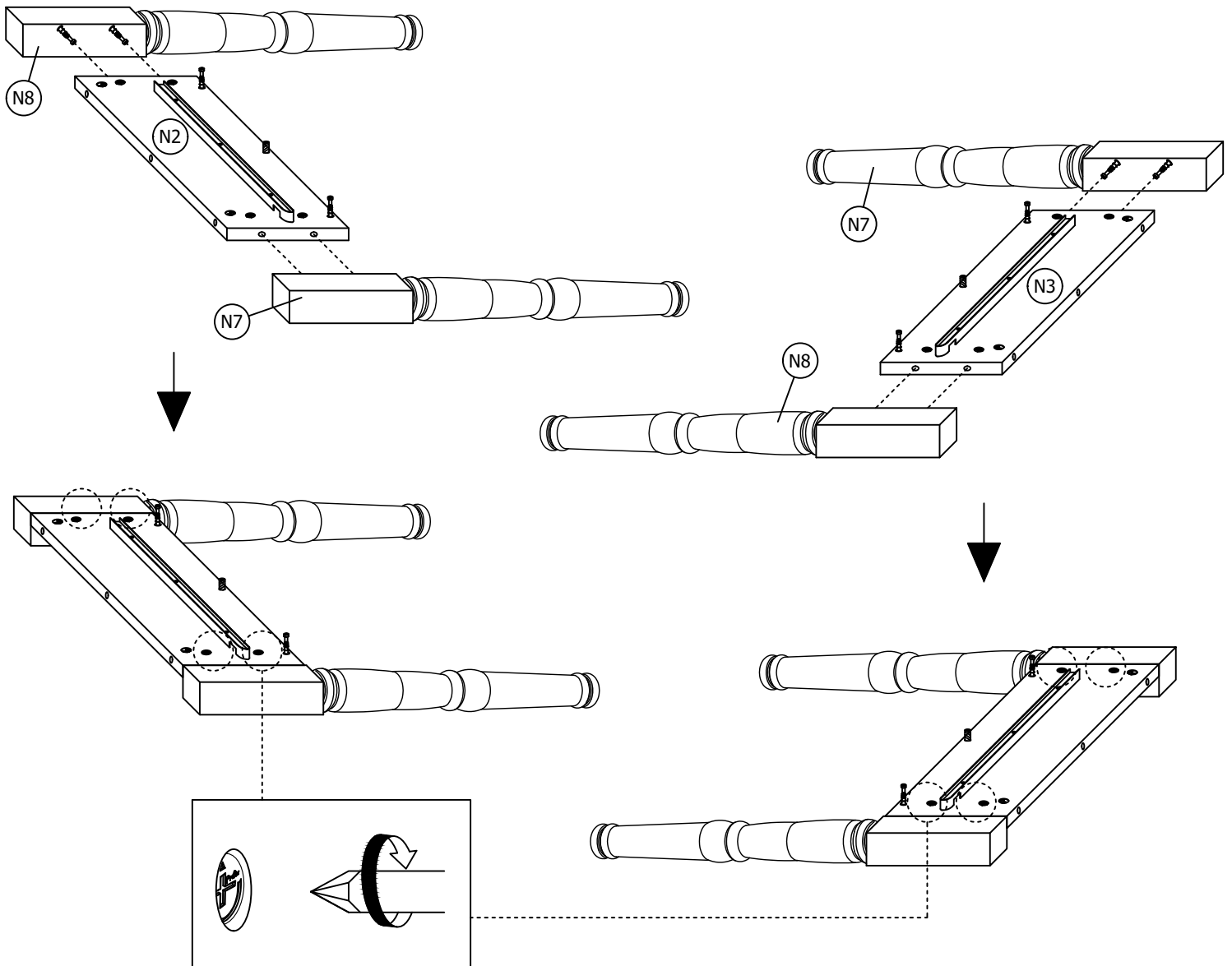
x 2



STEP 6

Combine one of (N7),(N8) to (N2), another one of (N7),(N8) to (N3). Then tighten the 8 pieces (A)-(pre-insert in step 3) as shown.

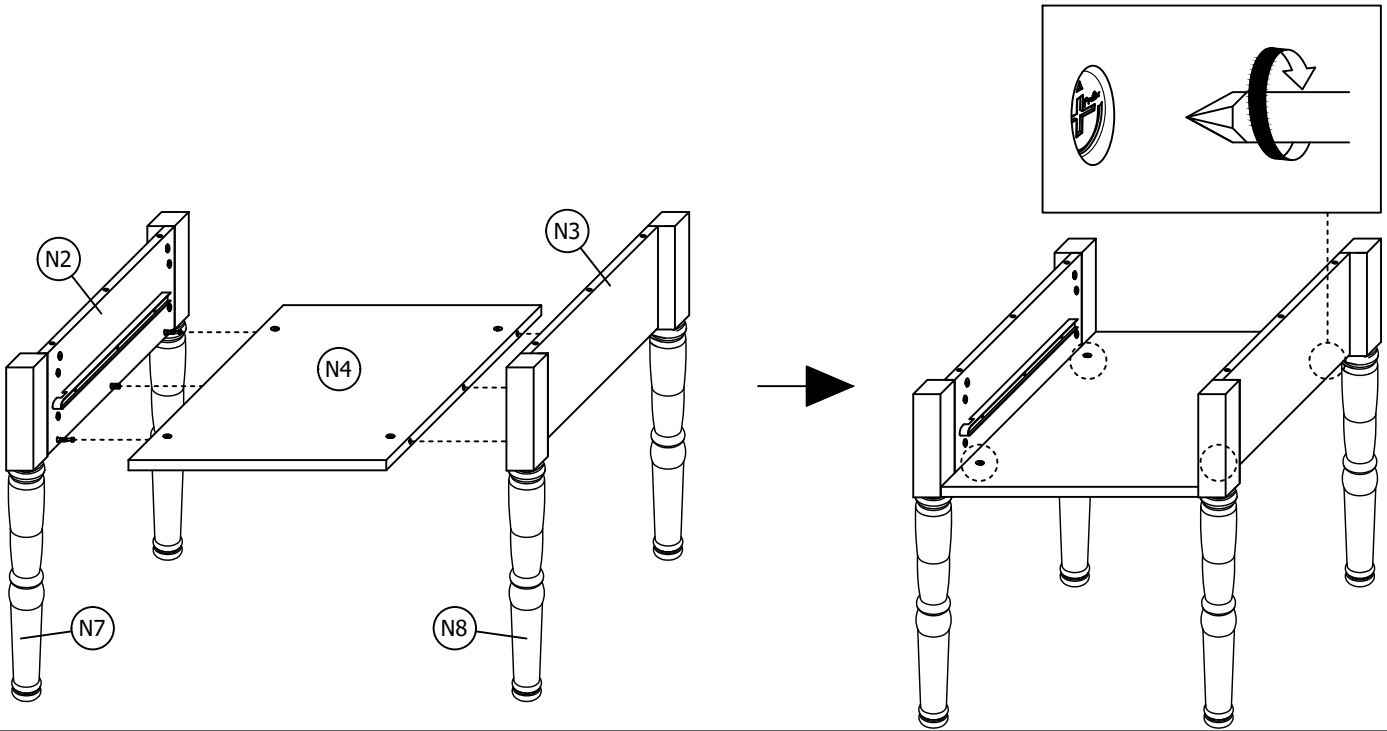
x 2



80136-011 NS ASSEMBLY INSTRUCTION

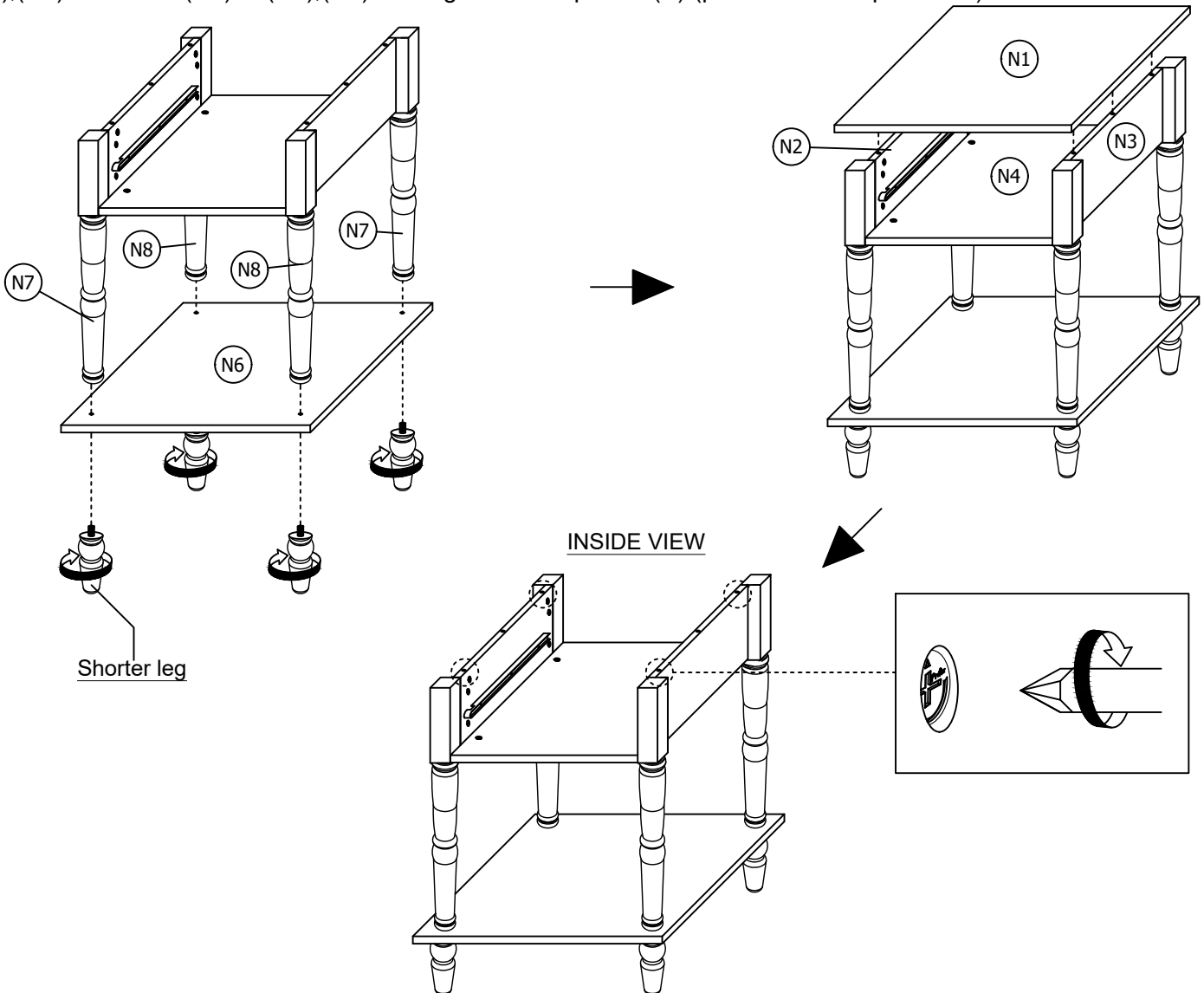
STEP 7

Combine (N2),(N3),(N4) then tighten the 8 pieces (A)-(pre-insert in step 4) as shown.



STEP 8

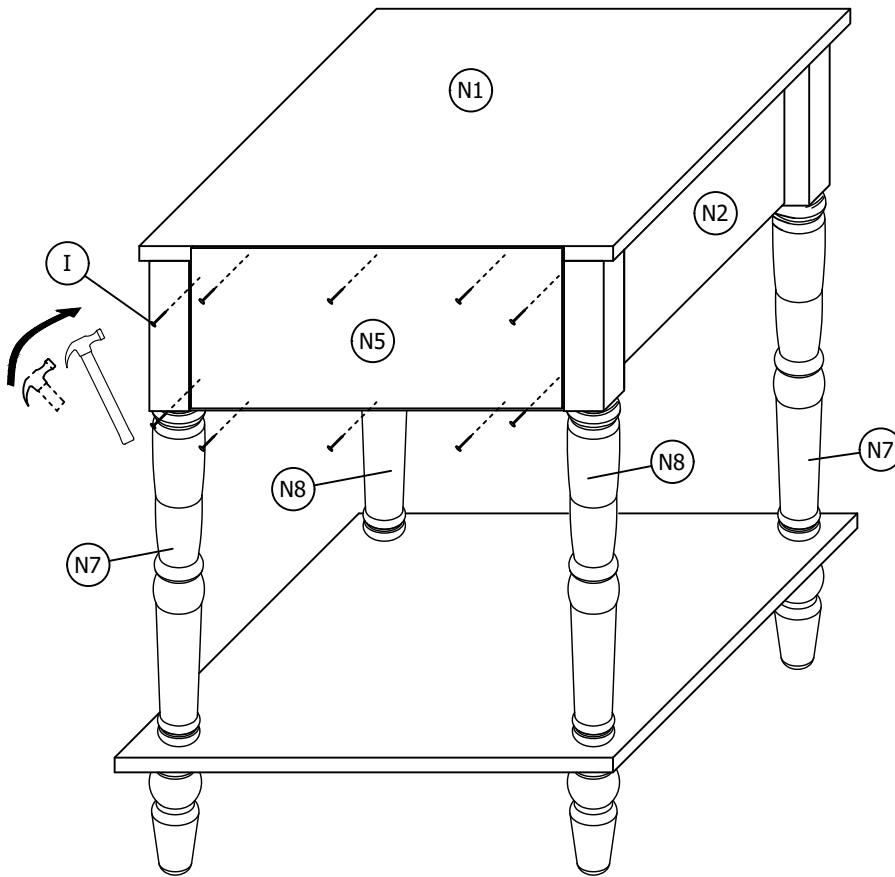
Insert the hanger bolt of the shorter leg (took out in step 5) pass through to (N6), and turn clockwise to combine with (N7),(N8). Combine (N1) to (N2),(N3) then tighten the 4 pieces (A)-(pre-insert in step 2 and 3) as shown.



80136-011 NS ASSEMBLY INSTRUCTION

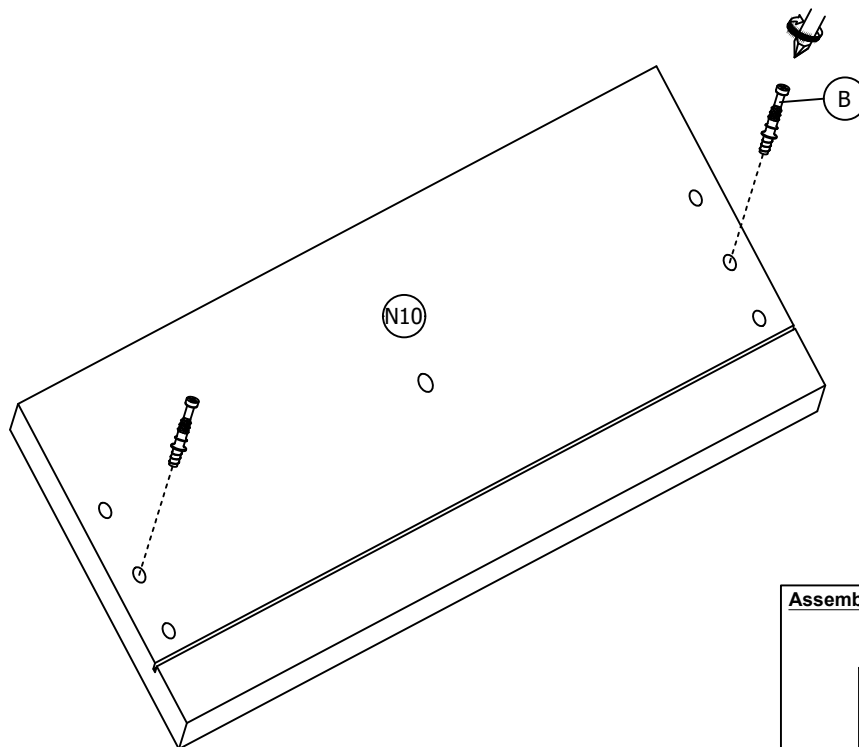
STEP 9

Insert the 10 pieces (I) to fix the (N5) as shown. Colored paper face to outside.

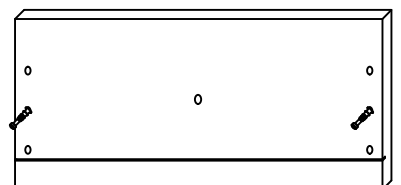


STEP 10

Insert 2 pieces (B) to the (N10) as shown.



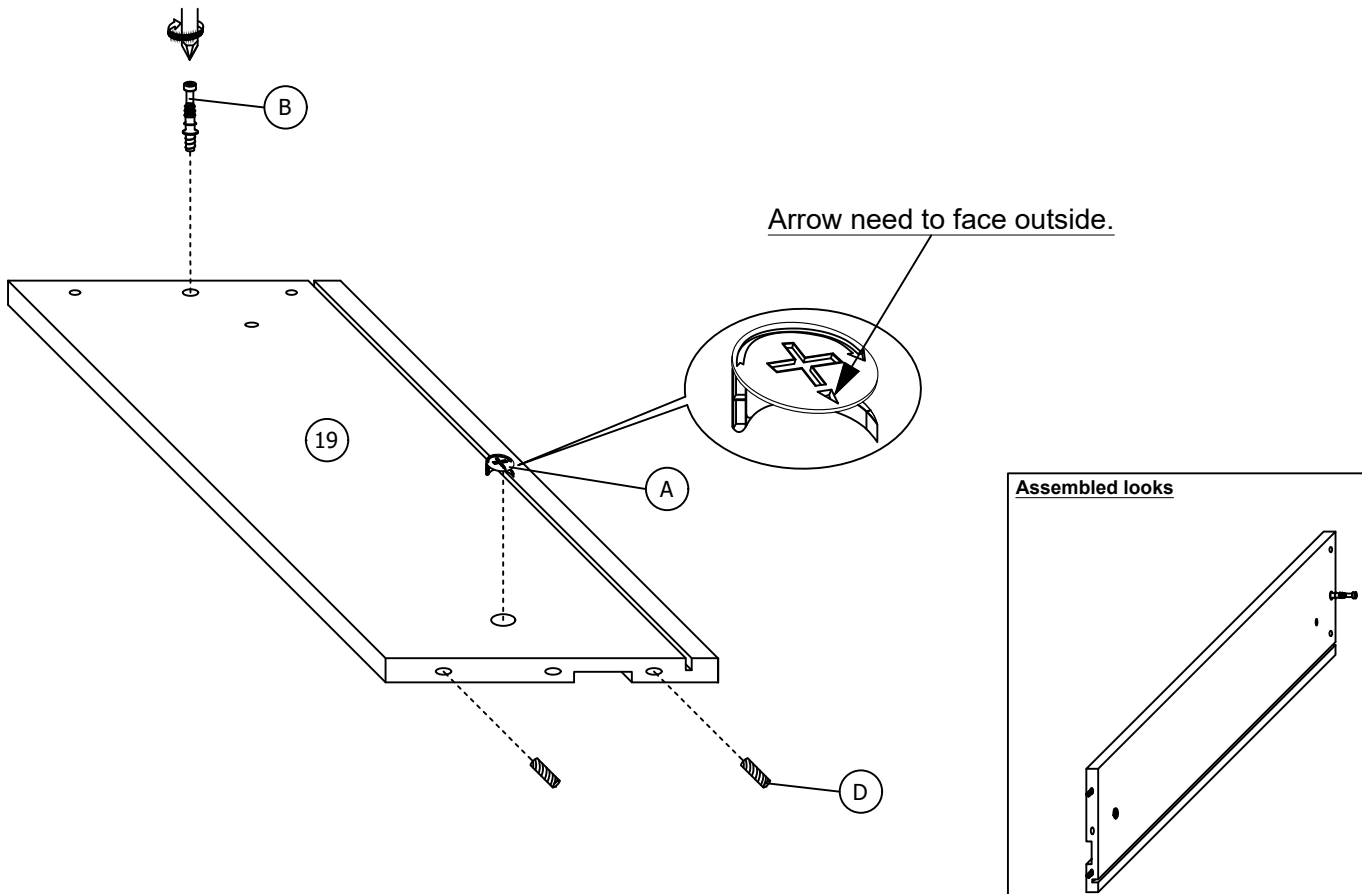
Assembled looks



80136-011 NS ASSEMBLY INSTRUCTION

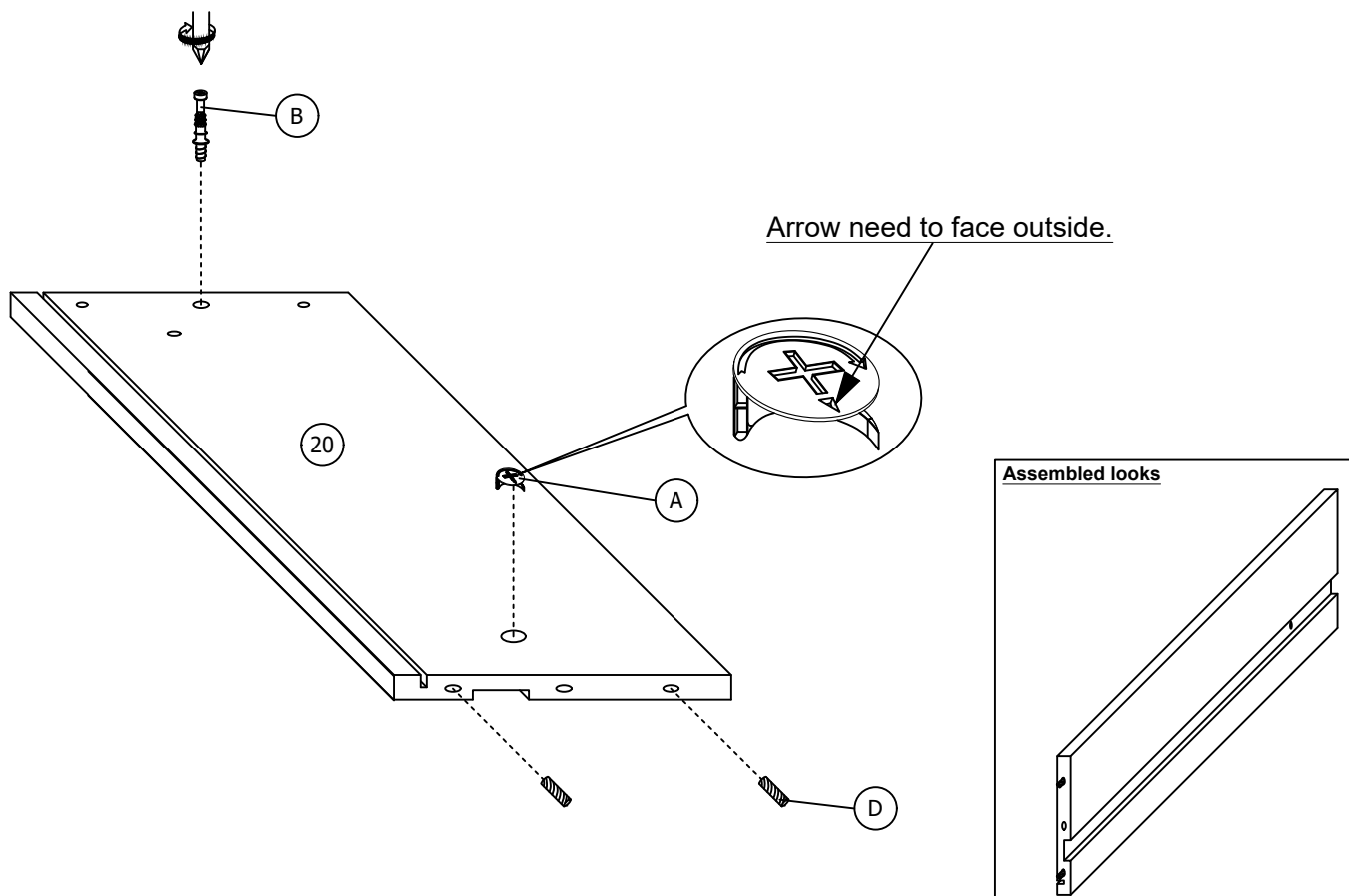
STEP 11

Insert 1 piece (A),(B) and 2 pieces (D) to (19) as shown.



STEP 12

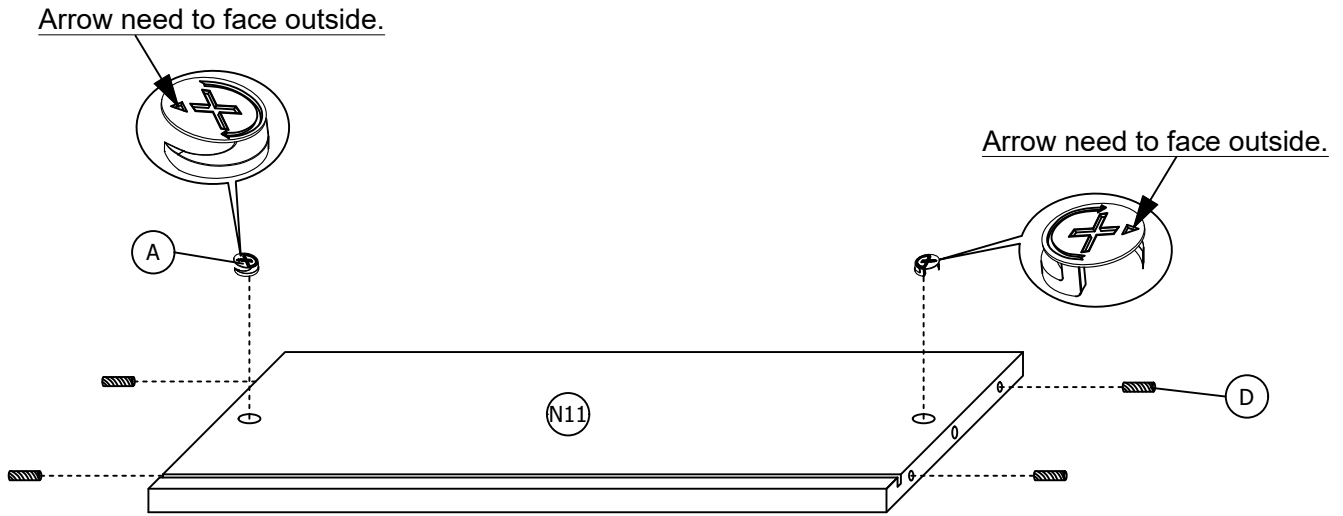
Insert 1 piece (A),(B) and 2 pieces (D) to (20) as shown.



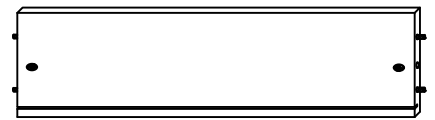
80136-011 NS ASSEMBLY INSTRUCTION

STEP 13

Insert 2 pieces (A) ,4 pieces (D) to (N11) as shown.

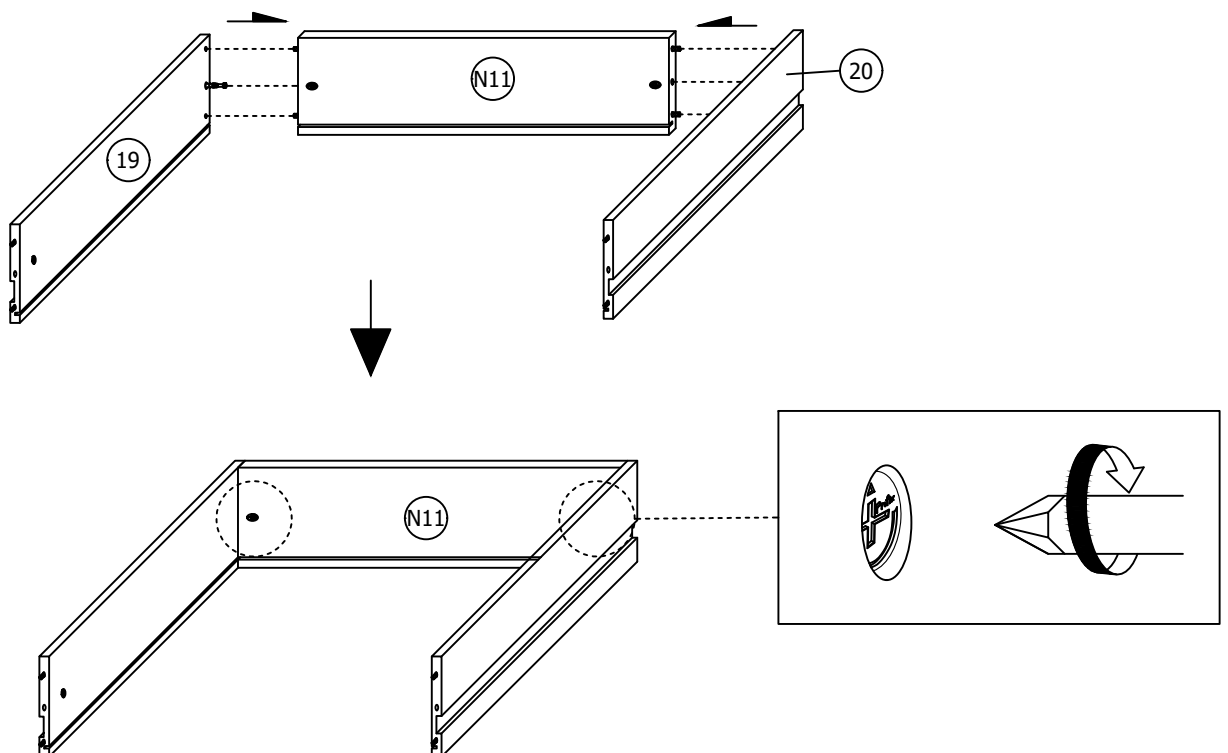


Assembled looks



STEP 14

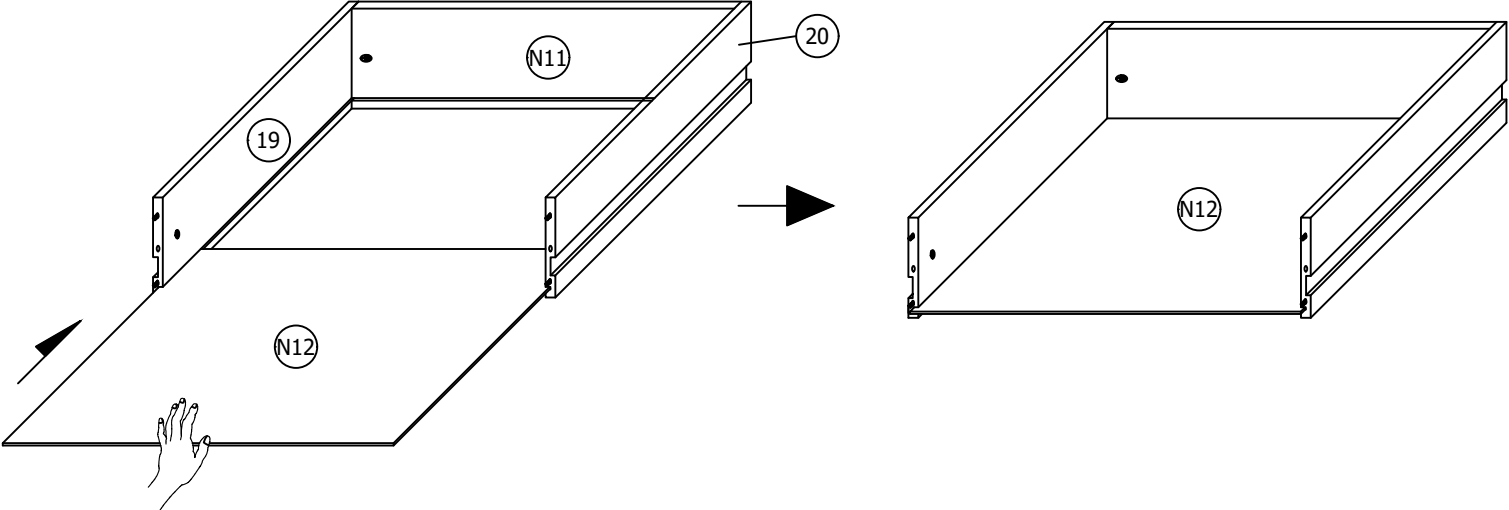
Combine the (19) and (20) to the (N11) . Then tighten the 2 pieces (A)-(pre-insert in previous step) as shown.



80136-011 NS ASSEMBLY INSTRUCTION

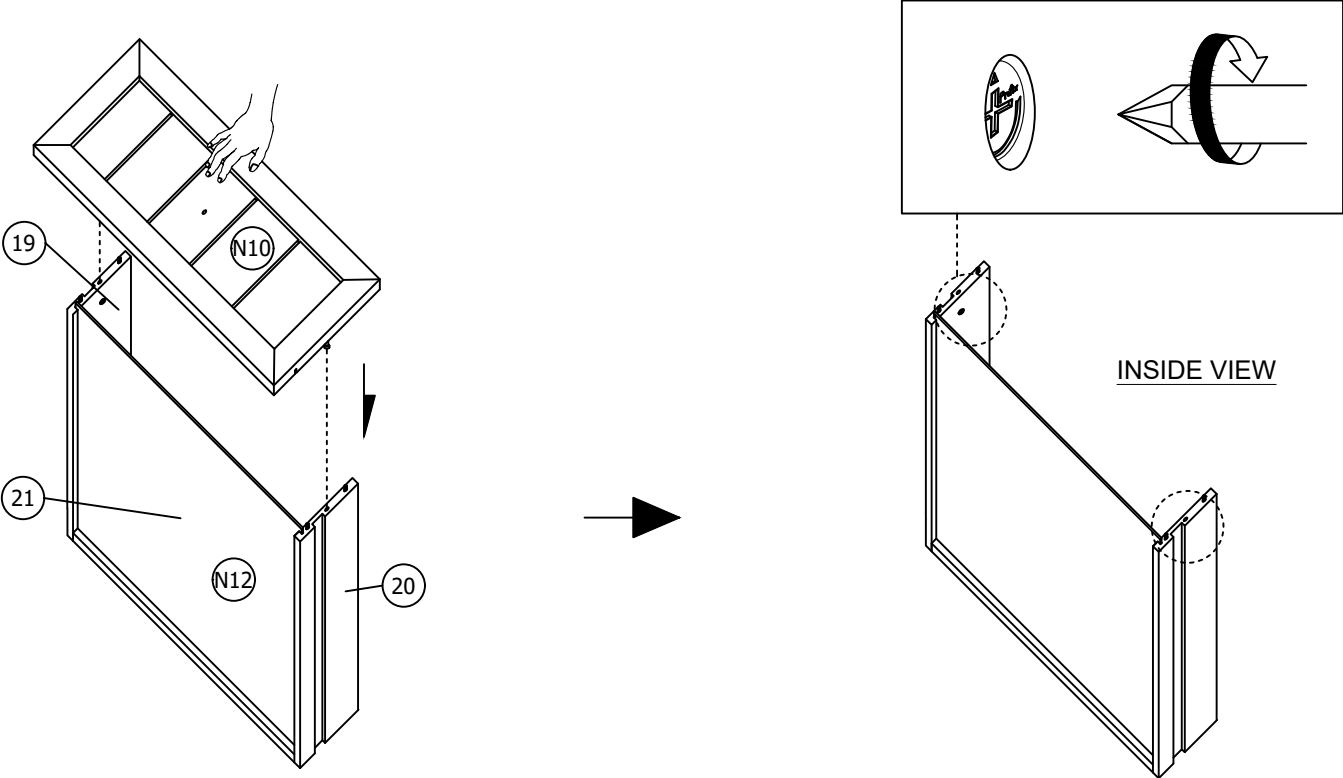
STEP 15

Put the (N12) into the gap of (19),(20) and (N11) as shown.



STEP 16

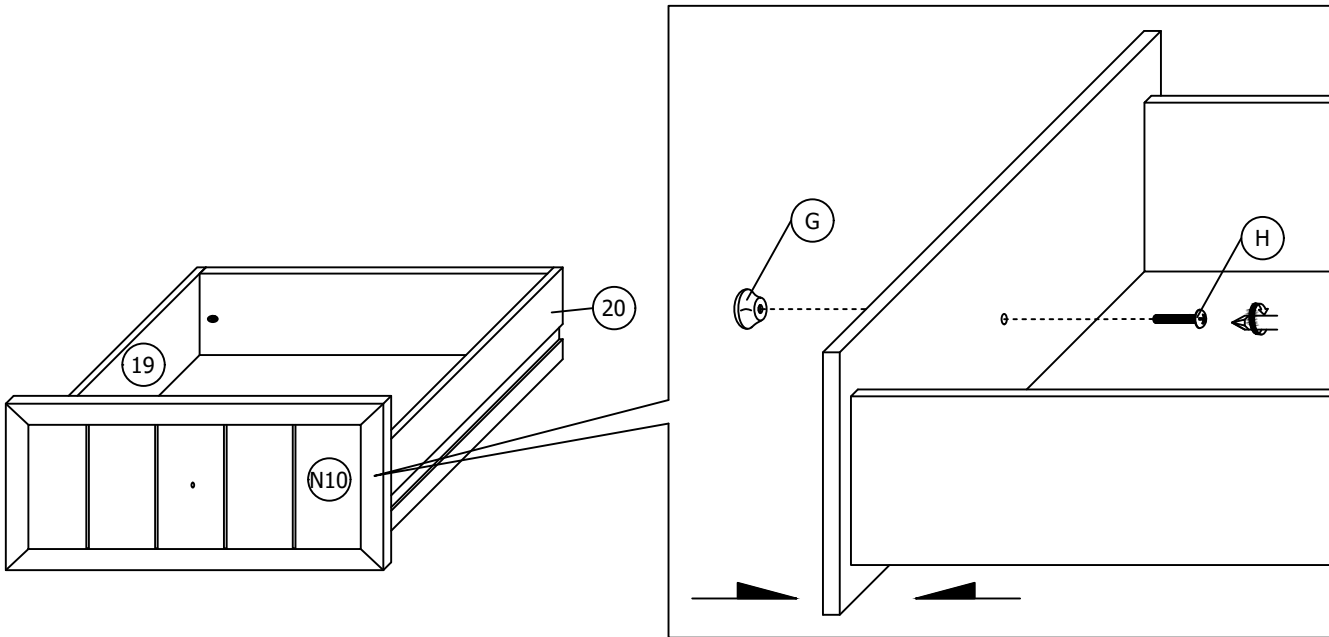
Combine the (N10) to the drawer frame. Then tighten the 2 pieces (A)-(pre-insert in step 11 and 12) as shown.



80136-011 NS ASSEMBLY INSTRUCTION

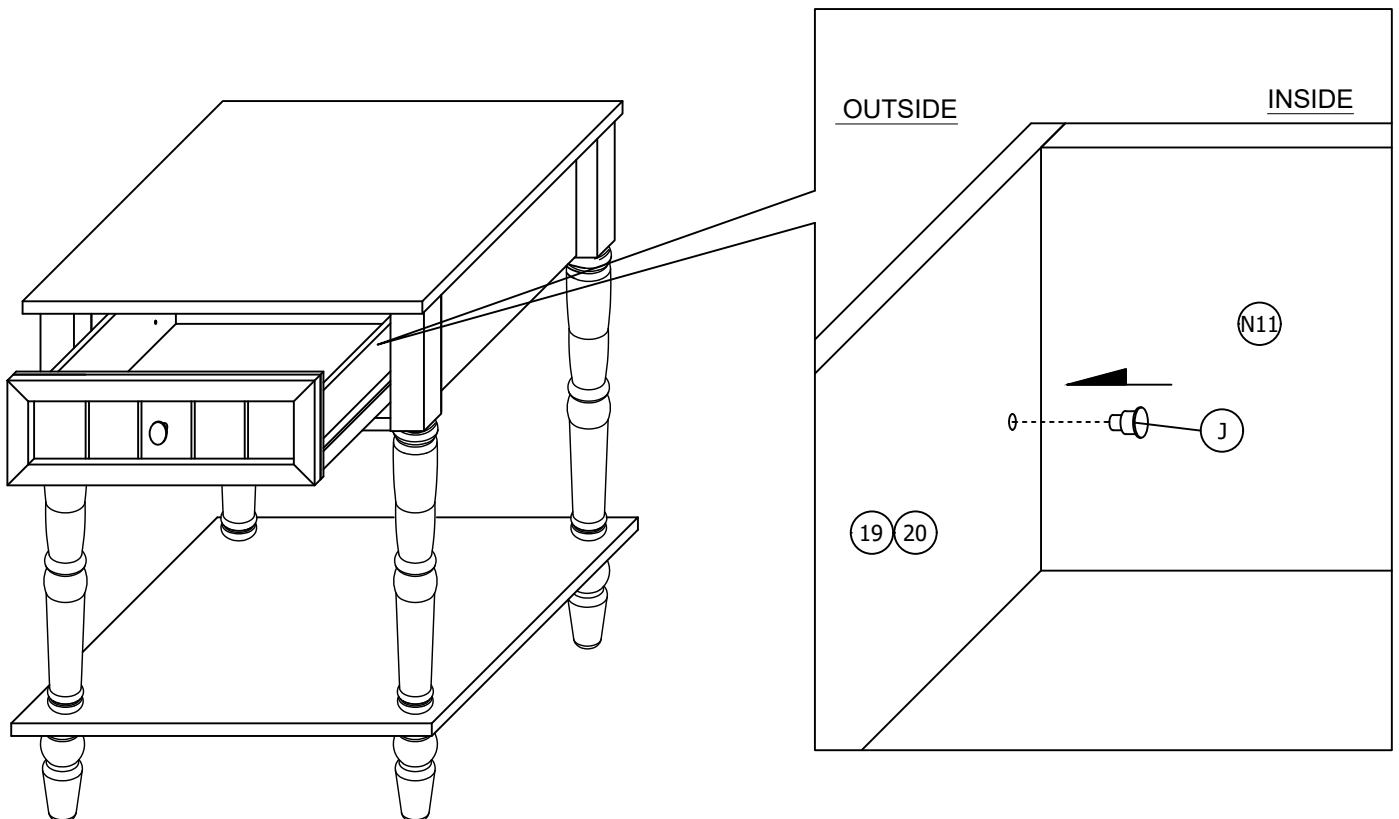
STEP 17

Insert (H) fix the (G) as shown.



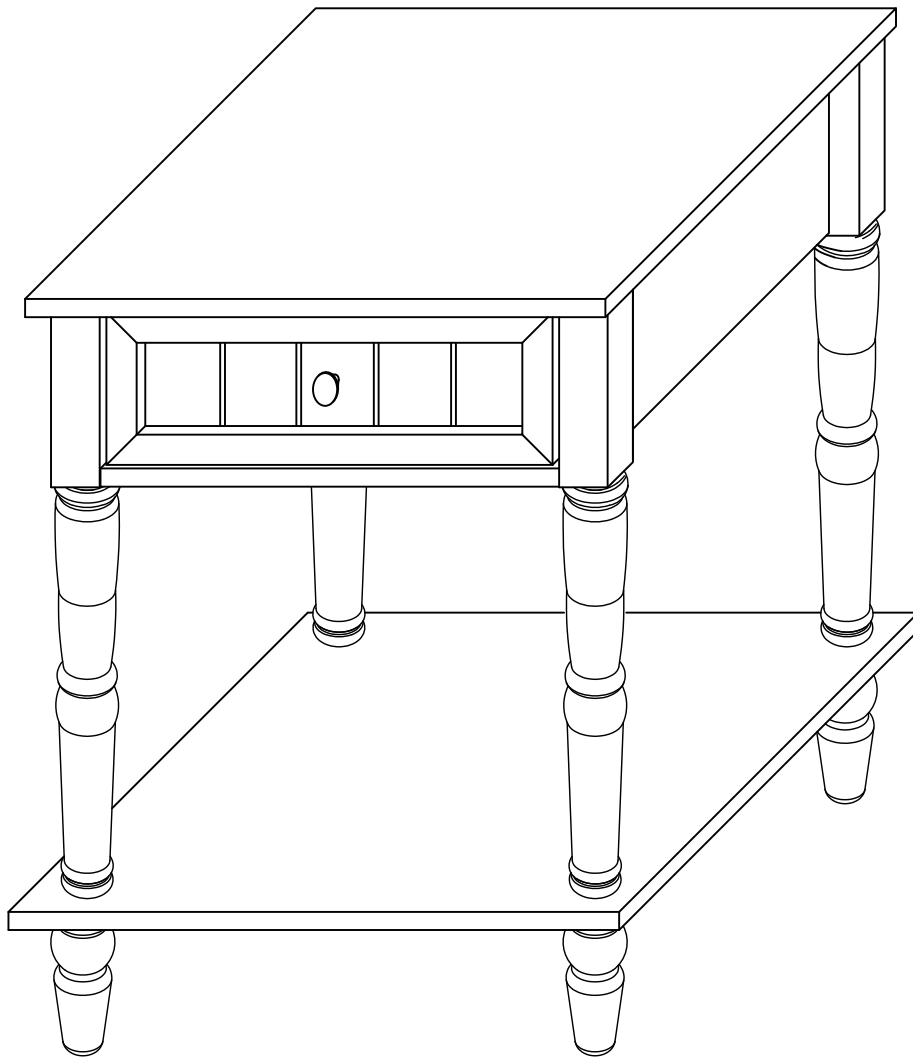
STEP 18

Align the position then push the drawer inside a little bit. Insert the (J) to (19),(20) before fully push inside as shown.



80136-011 NS ASSEMBLY INSTRUCTION

STEP 19



ASSEMBLY COMPLETED