

INSTALLATION

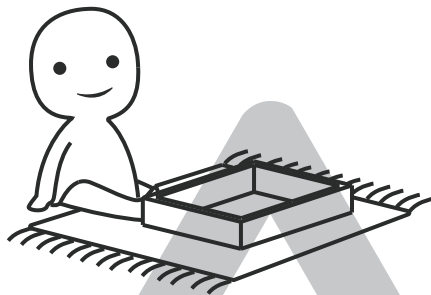
Product Manual

Version: 210366US-01-25A-AA



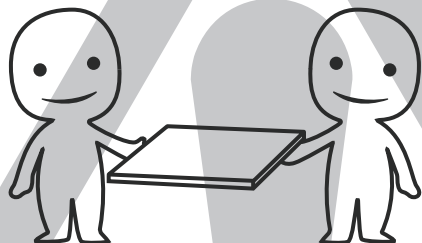
IMPORTANT INFORMATION!

please read the entire manual before starting to assemble and/or using this product. follow the manual thoroughly and keep it for further reference.



AVOID SCRATCHES!

In order to avoid scratching this furniture should be assembled on a soft layer- could be a rug.



IMPROVE EFFICIENCY !

Try to find a partner to install with you, which can speed up the installation efficiency and shorten the time.



ANTI-TOPPLE WARNING !

Overturned furniture can cause serious or fatal crush injuries. To prevent tipping over, be sure to use the wall attachment, if not included with this product. Please purchase the wall attachment that fit your wall. If unsure, seek professional advice. Please read and follow each step of the instructions carefully.

IMPORTANT !

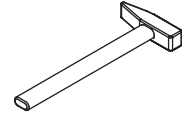
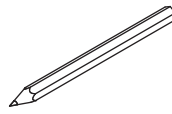
It is important that any product which is assembled using any kind of screw is re-tightened 2 weeks after assembly, and once every 3 months - in order to assure stability through-out the lifespan of the product.

For regular maintenance and cleaning of the product, for the frame, please use a rag dipped in neutral detergent to fully wipe it, and then dry it with a clean rag. For glass materials, wipe with a rag dampened with water glass cleaner, and then dry with a dry rag.

Do not use an electric screwdriver, and do not use too much force when installing, because the board is easy to break.



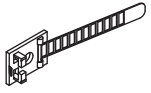
Please prepare the following tools



When installing, please carefully confirm whether each screw corresponds to the manual, accessories with similar shapes can be distinguished by size

A x 114  CRB1595A	B x 114  CRA0635B	C x 114 	D x 102  CRF0630A	E x 4  CRF0620A
F x 14  CRF0840A	G x 18  CRC0540A	H x 4  DGA861C	J x 4  DGA861A	K x 8 
L x 2 	M x 16  CRG0612A	N x 8  CRG0630A	P x 1 	Q x 1 
R x 122  CRD3514A	S x 12  CRD3525A	T x 8  CRD3520A	U x 4 	Y x 4  CRG0608A
Z x 6  CRG0608A	AA x 8  CRG0612A	AB x 4  GRG0620A	AC x 8  CRG0650A	AD x 2  CRE0450A

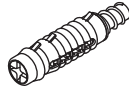
AE x 3

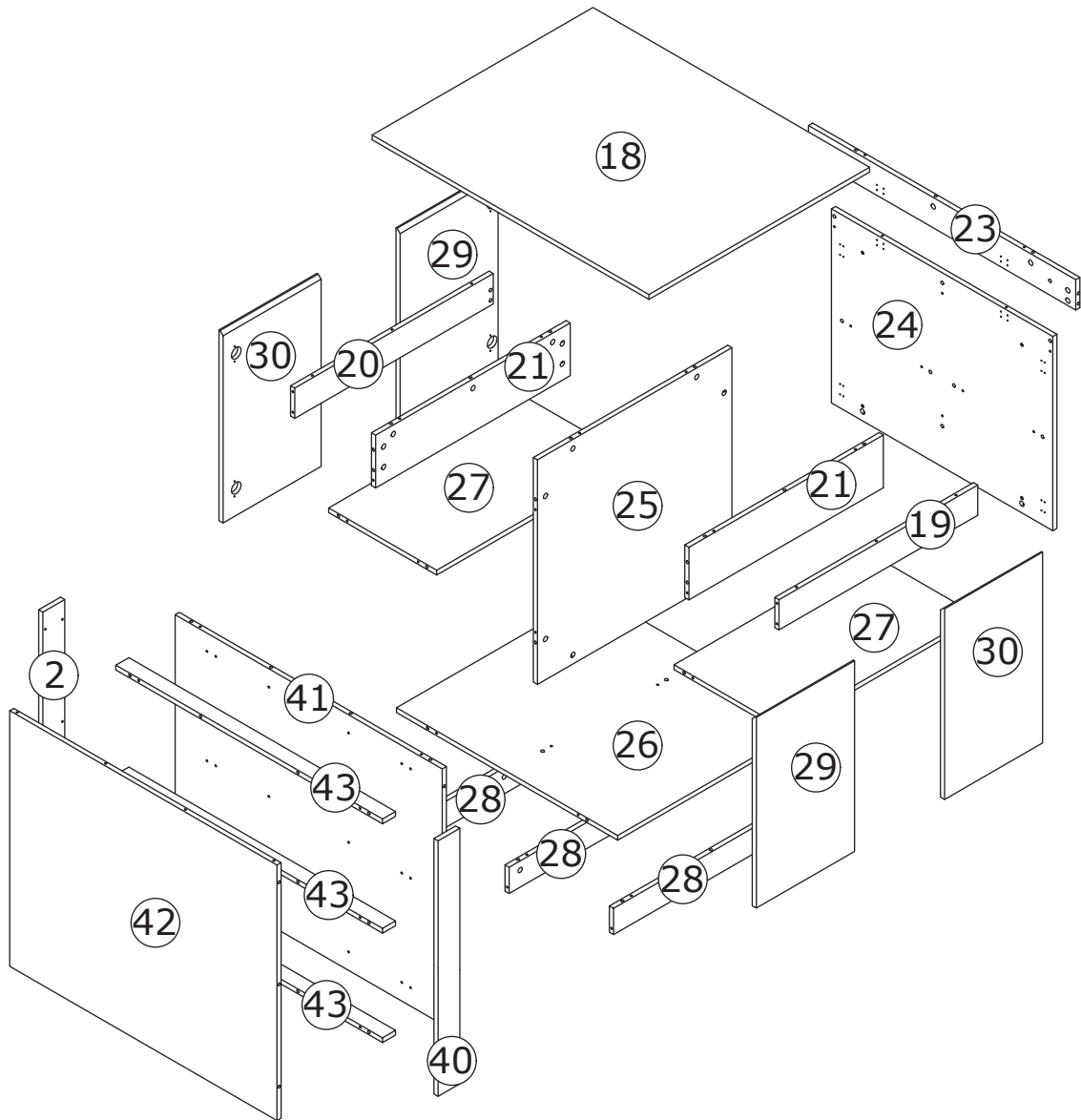


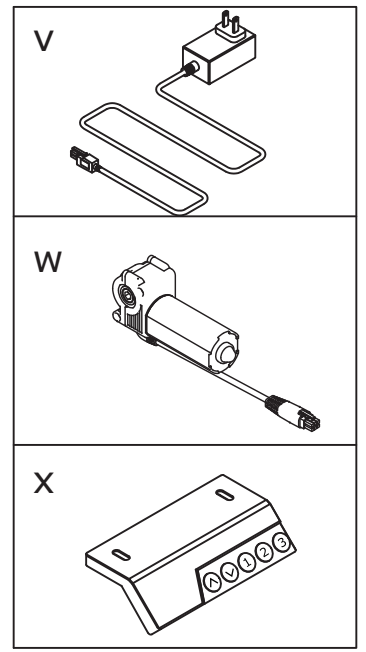
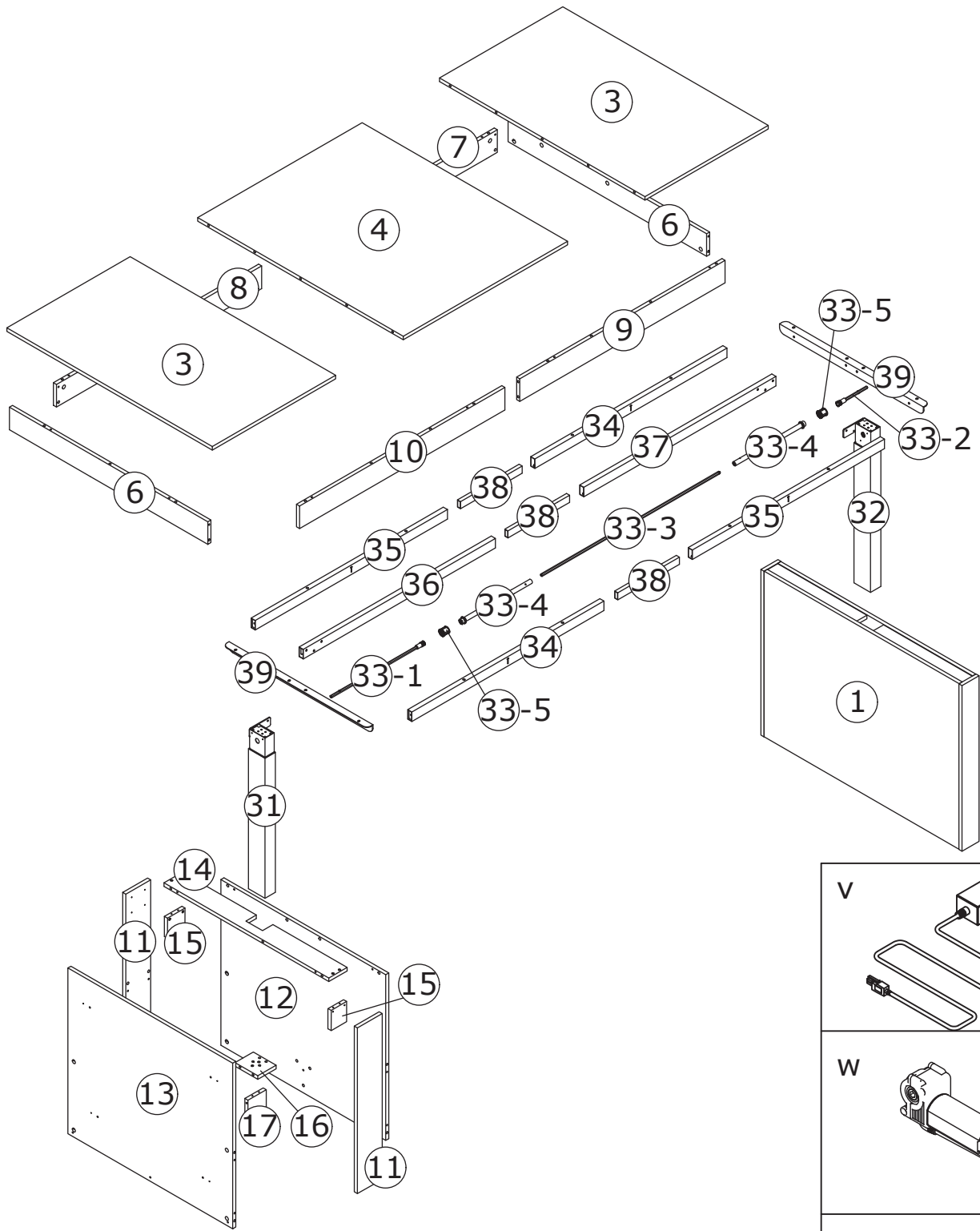
AF x 2



AG x 12





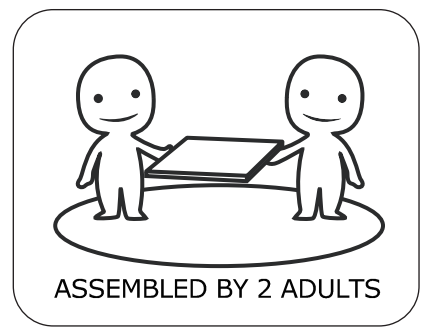


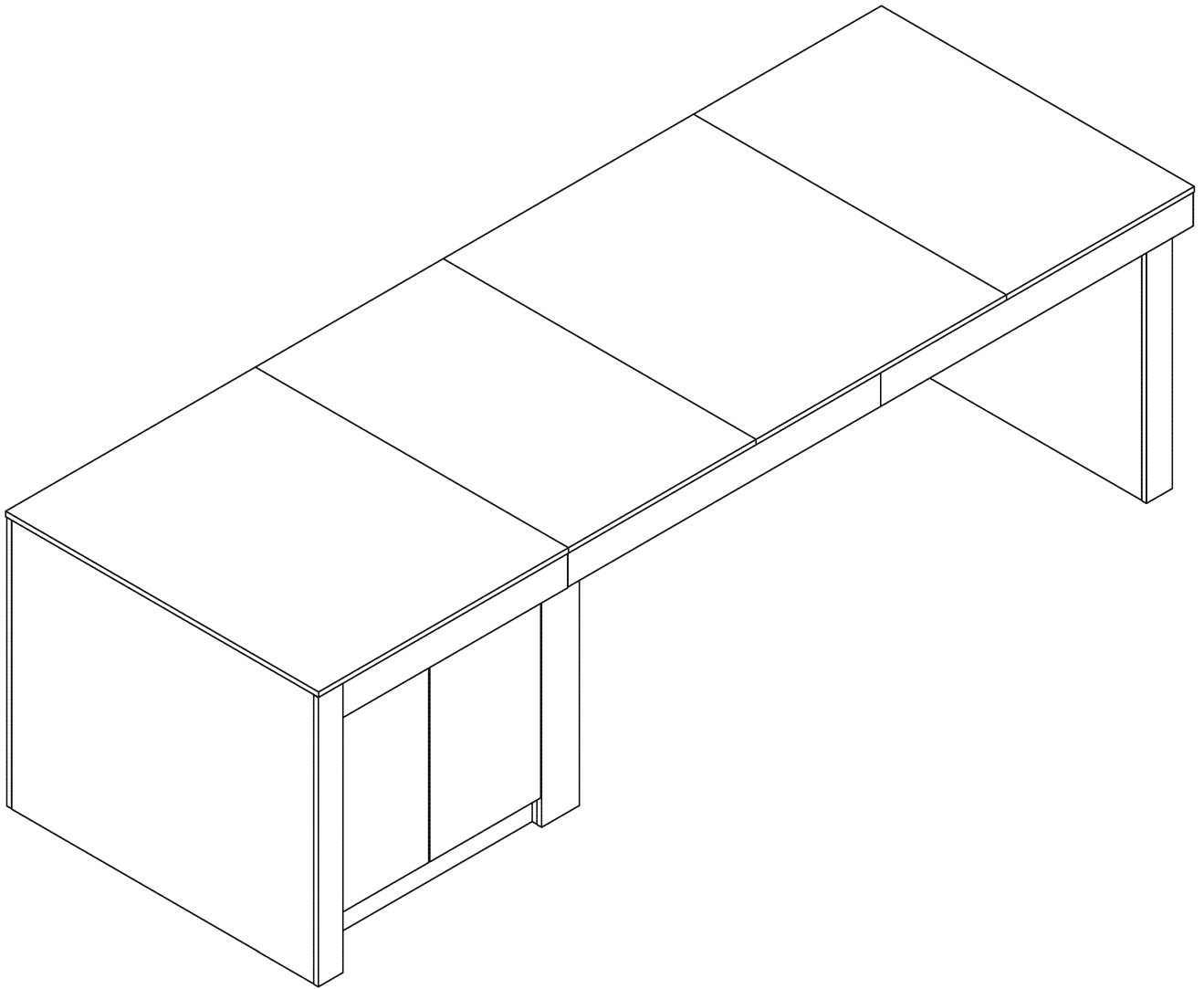
⚠ WARNING

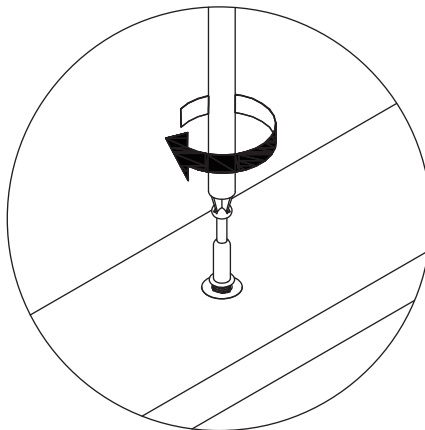
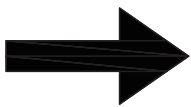
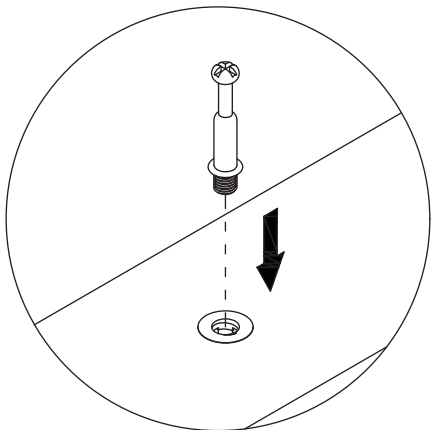
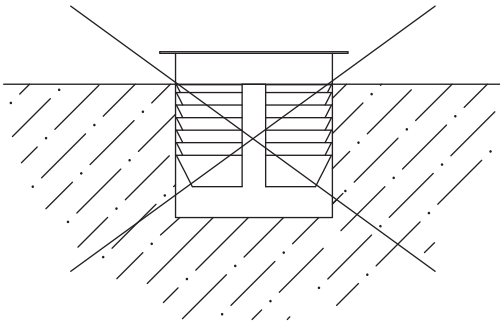
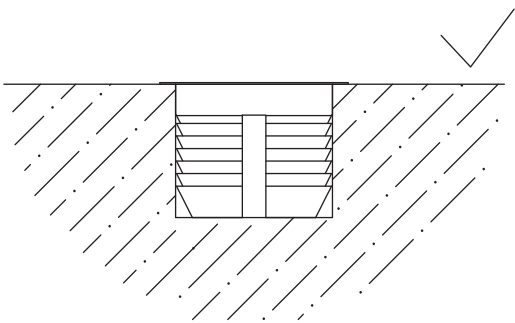
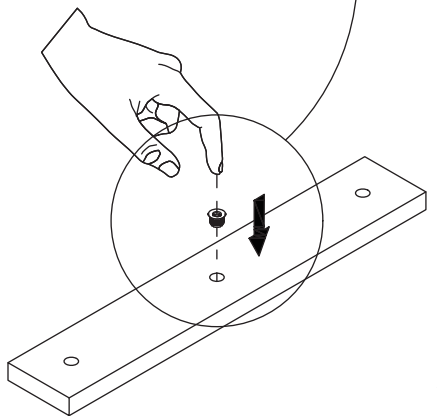
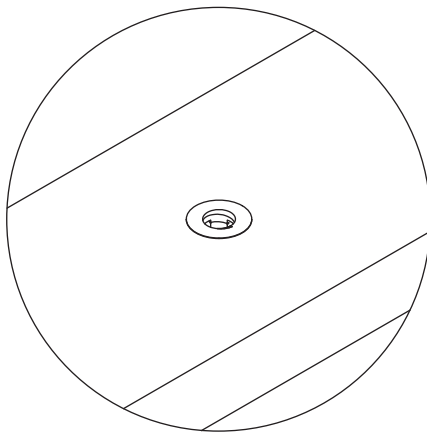
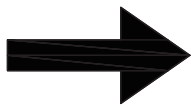
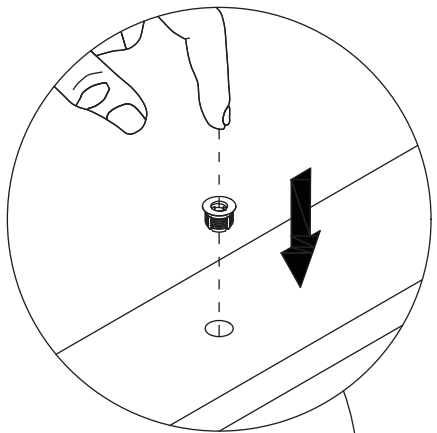
Children have died from furniture tipover. To reduce the risk of furniture tipover:

- ALWAYS install Anti-tip device provided.
- NEVER put a TV on this product.
- NEVER allow children to stand, climb or hang on drawers, doors, or shelves.
- NEVER open more than one drawer at a time.
- Place heaviest items in the lowest drawers.

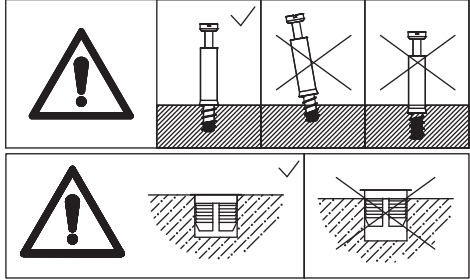
This is a permanent label. Do not remove!



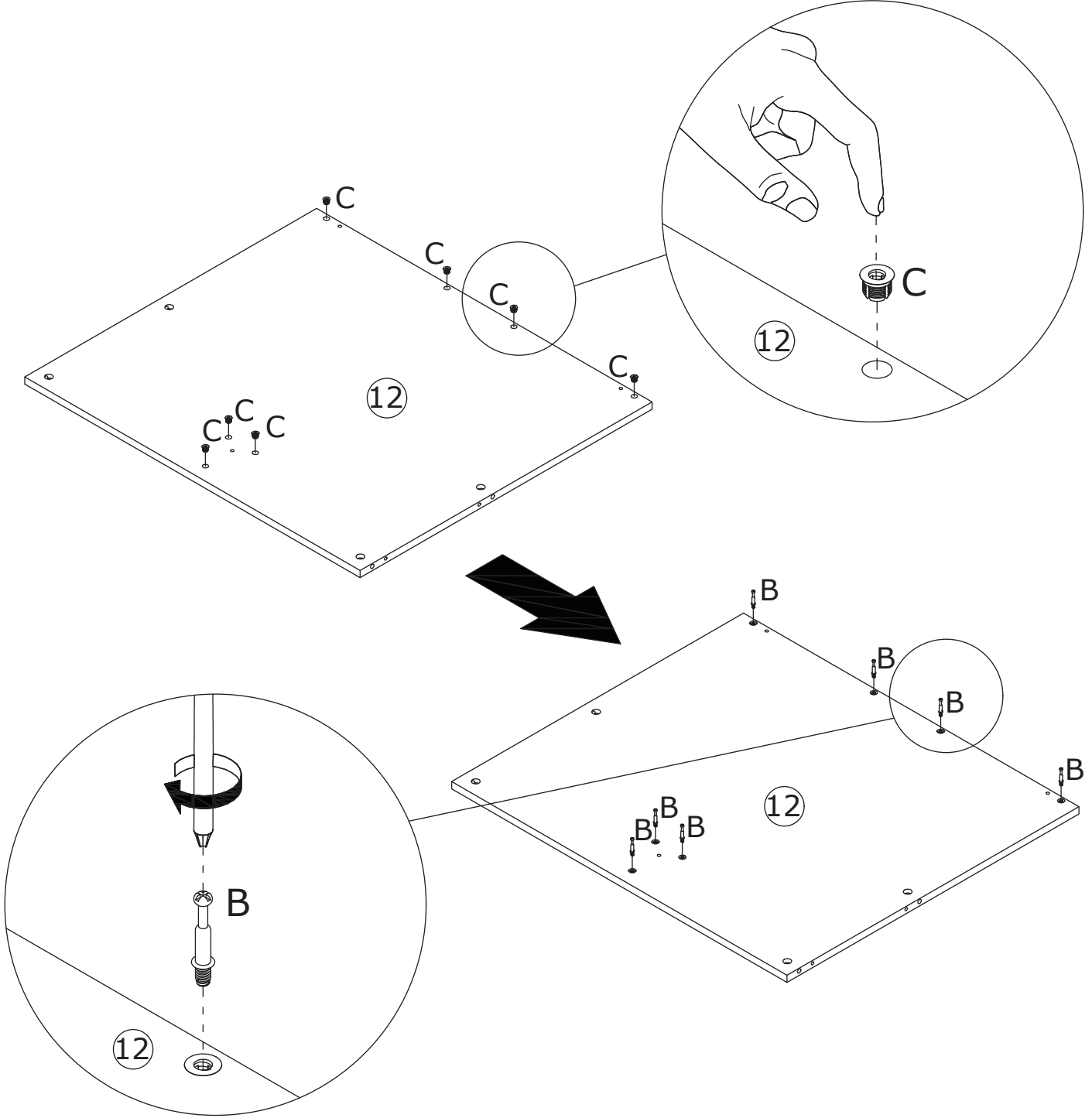




1

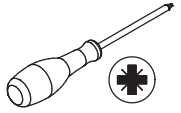


As shown in the figure, first install component (C) onto panel 12, then screw the self-tapping rod (B) into panel 12.

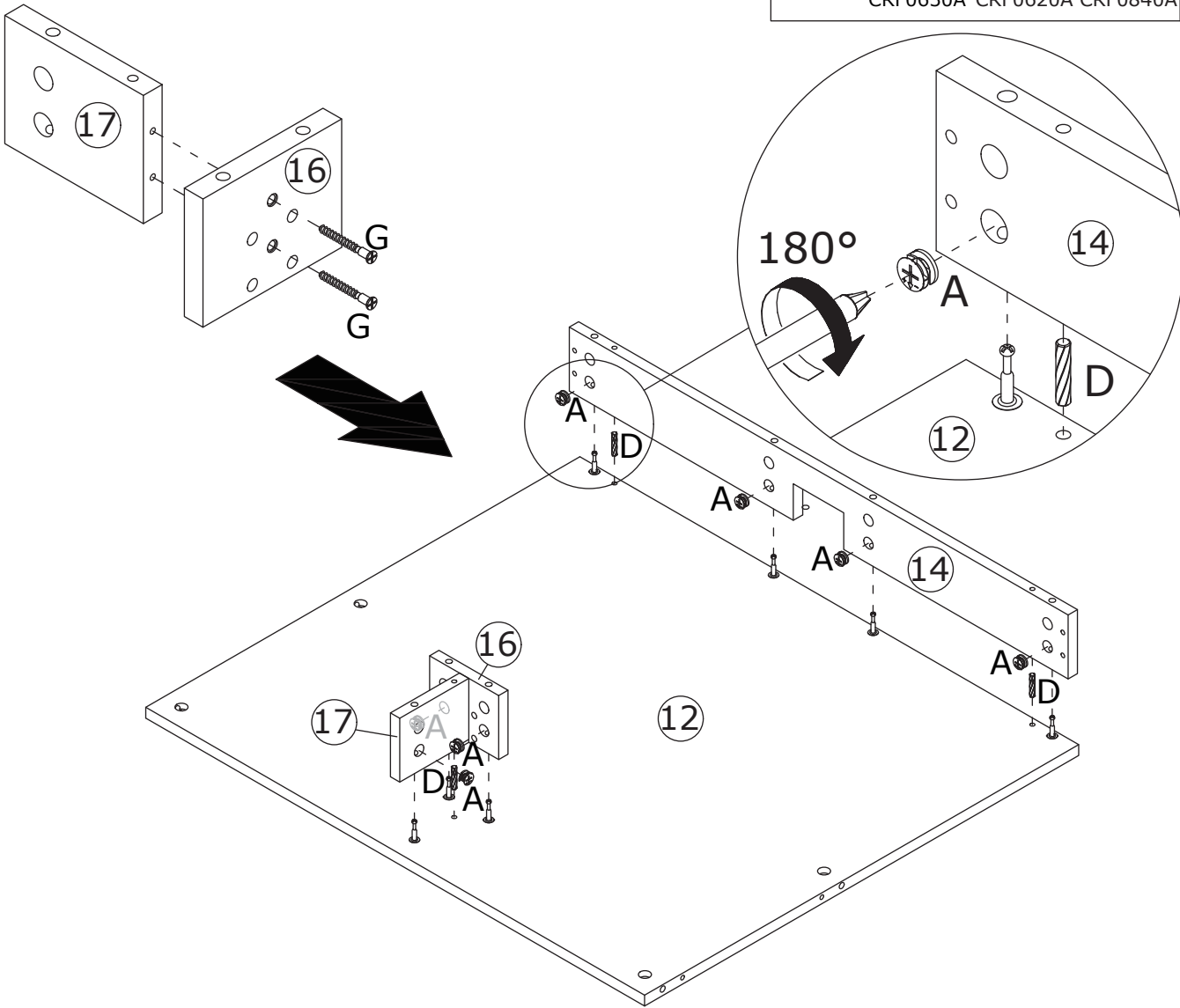
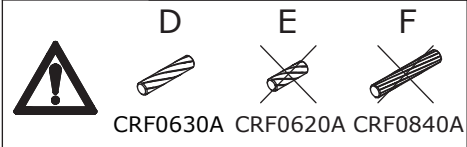
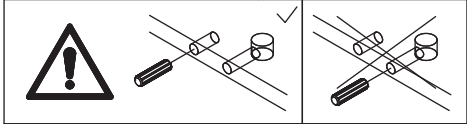
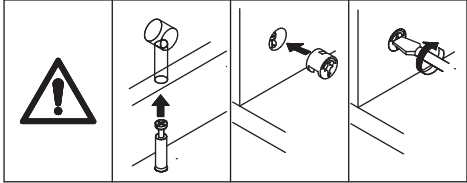


2

A x 7  CRB1595A	D x 3  CRF0630A	G x 2  CRC0540A
--	--	--

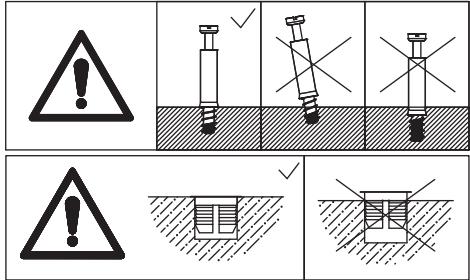


As shown in the figure, attach panel 16 to panel 17 using screws (G).

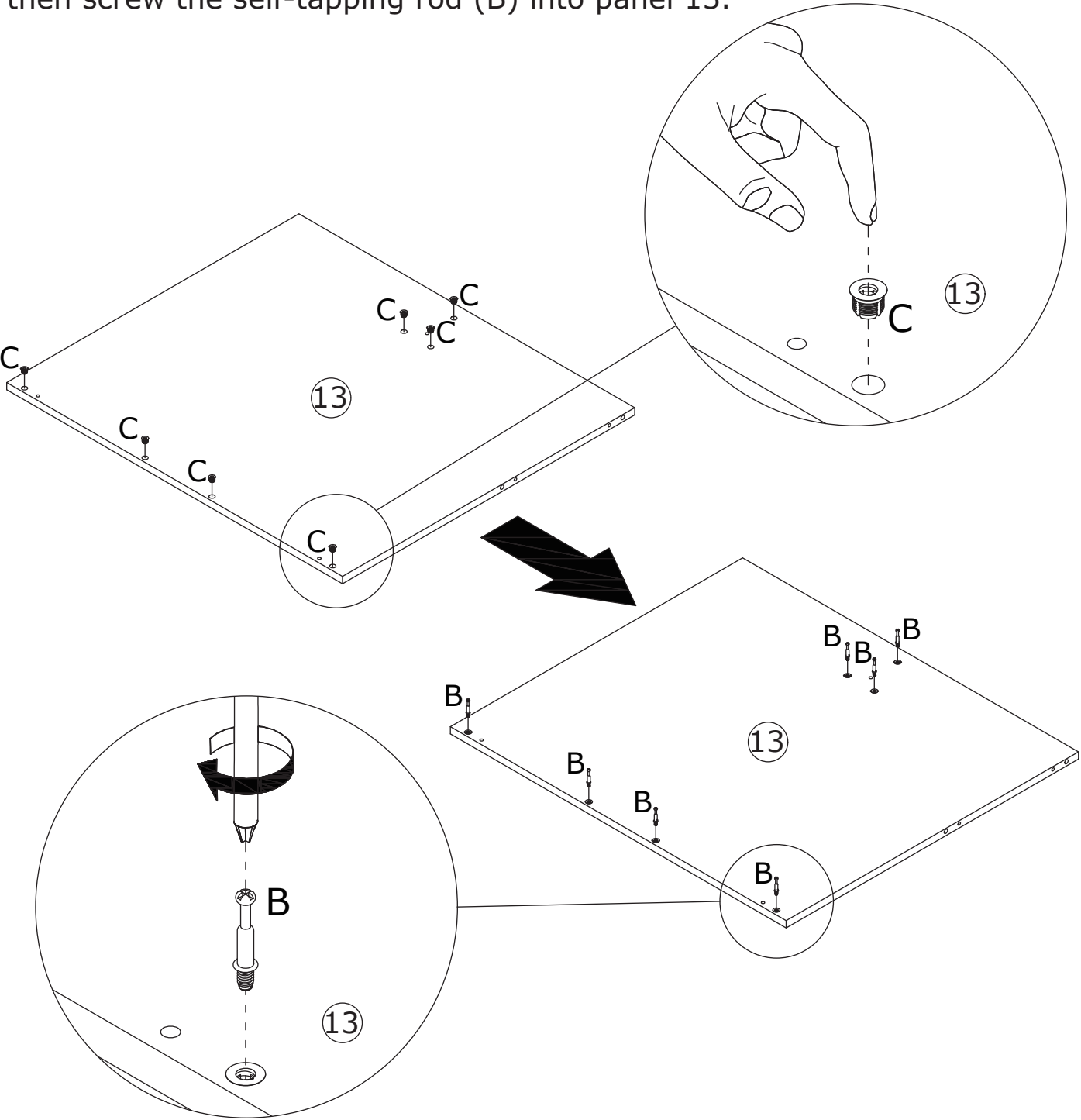


Install panels 14 and 17 onto panel 12 using wooden dowels (D), then add the eccentric wheel (A) and tighten it by turning clockwise. Install panel 16 onto panel 12, then add the eccentric wheel (A) and tighten it by turning clockwise.

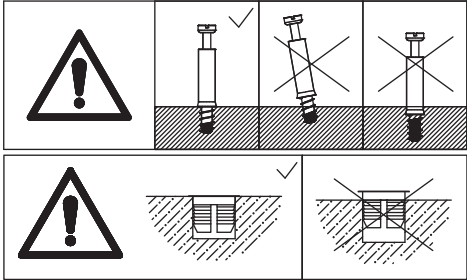
3



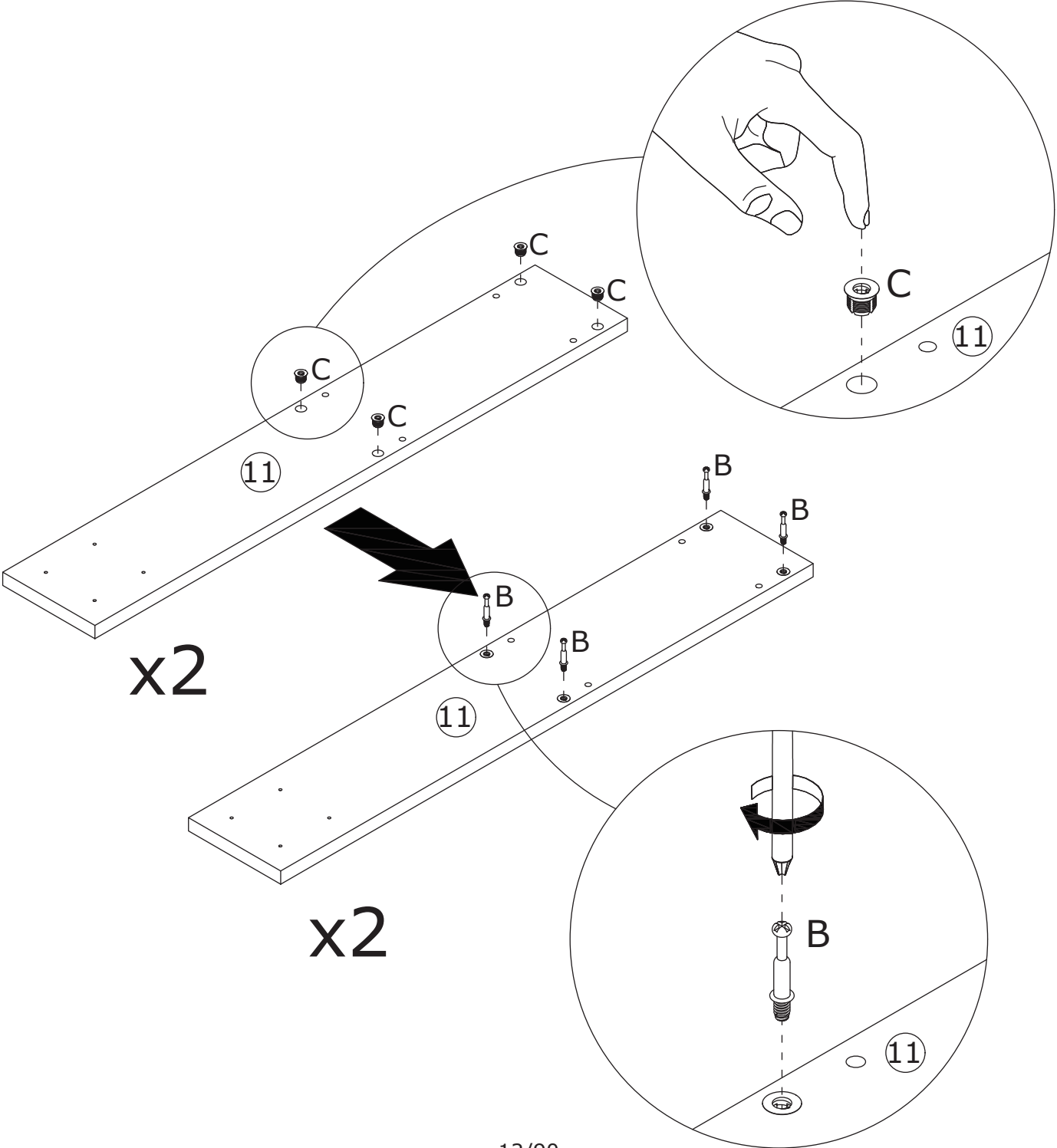
As shown in the figure, first install component (C) onto panel 13, then screw the self-tapping rod (B) into panel 13.



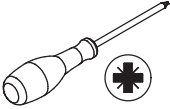
4



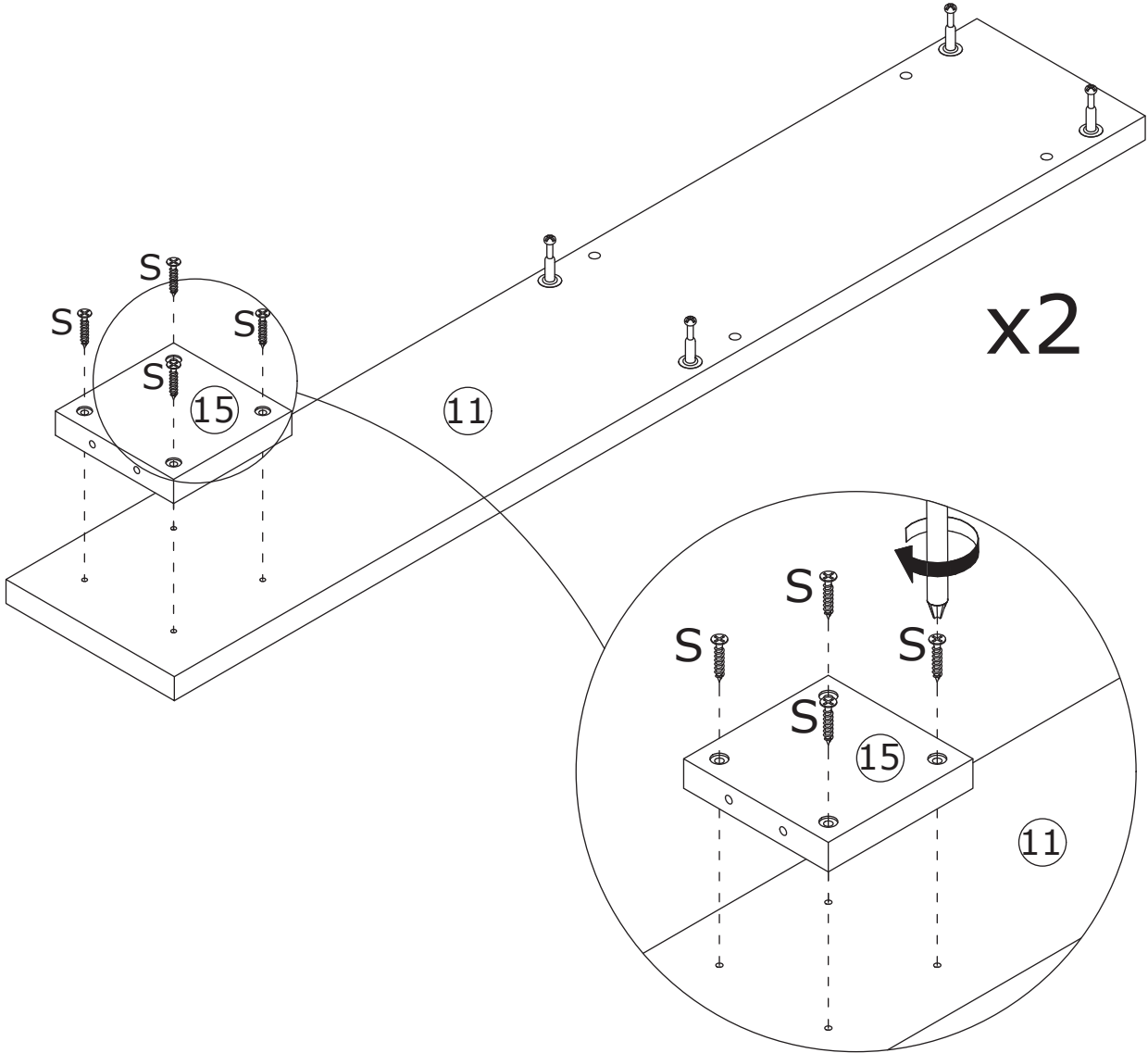
As shown in the figure, first install component (C) onto panel 11, then screw the self-tapping rod (B) into panel 11.



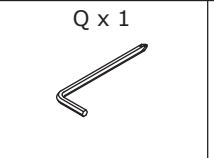
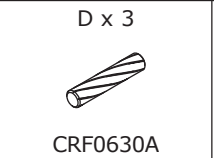
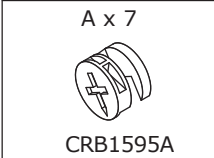
5



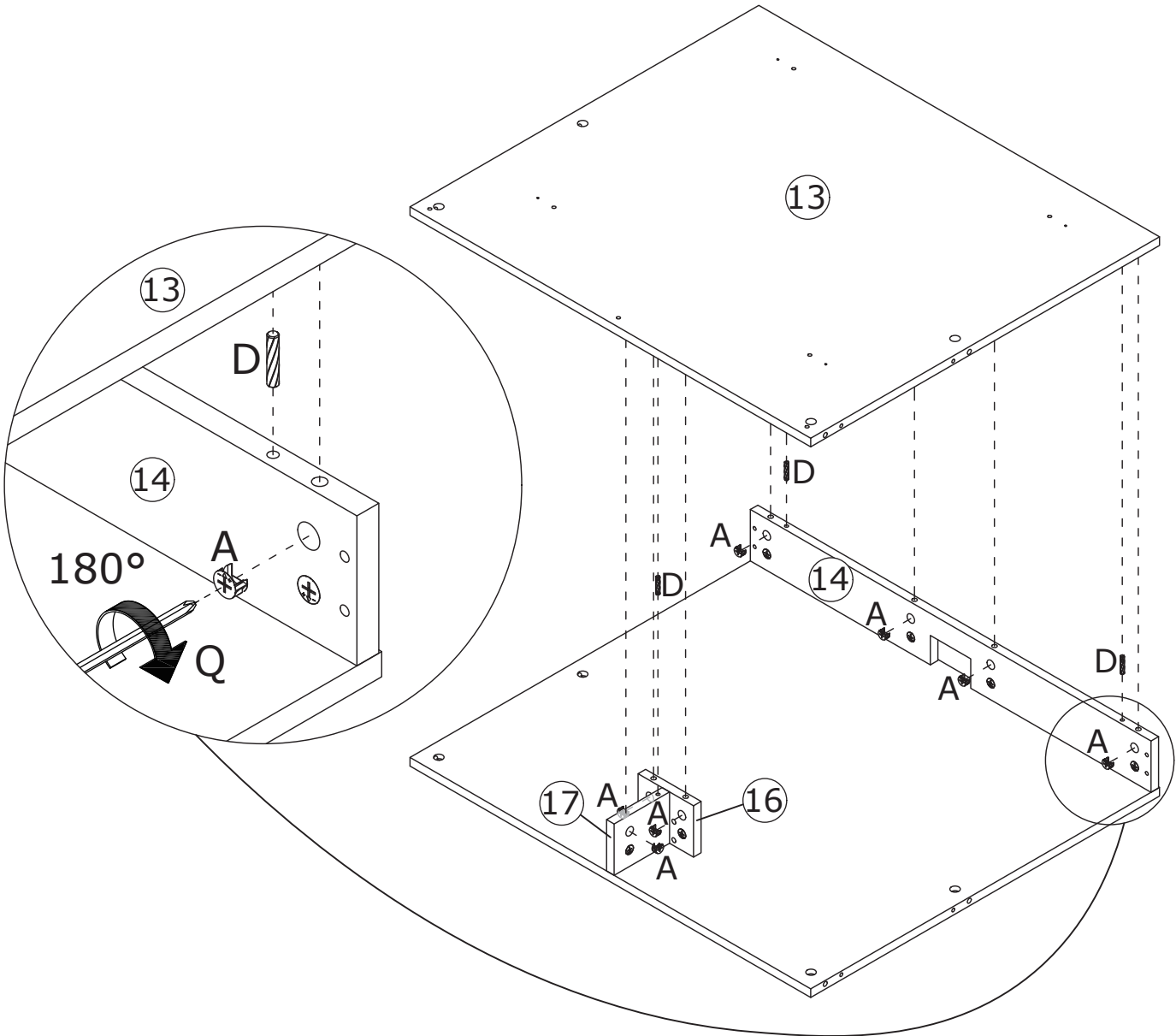
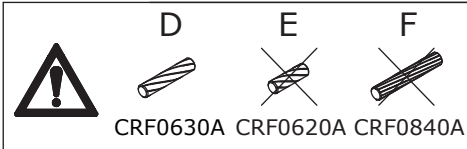
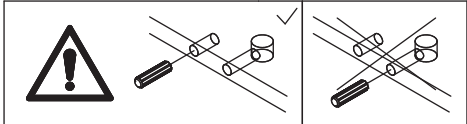
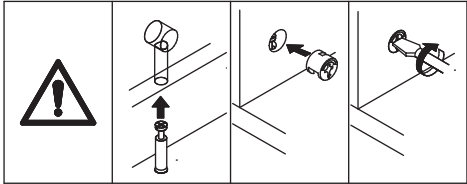
As shown in the figure, use screw (S) to secure panel 15 to panel 11.



6



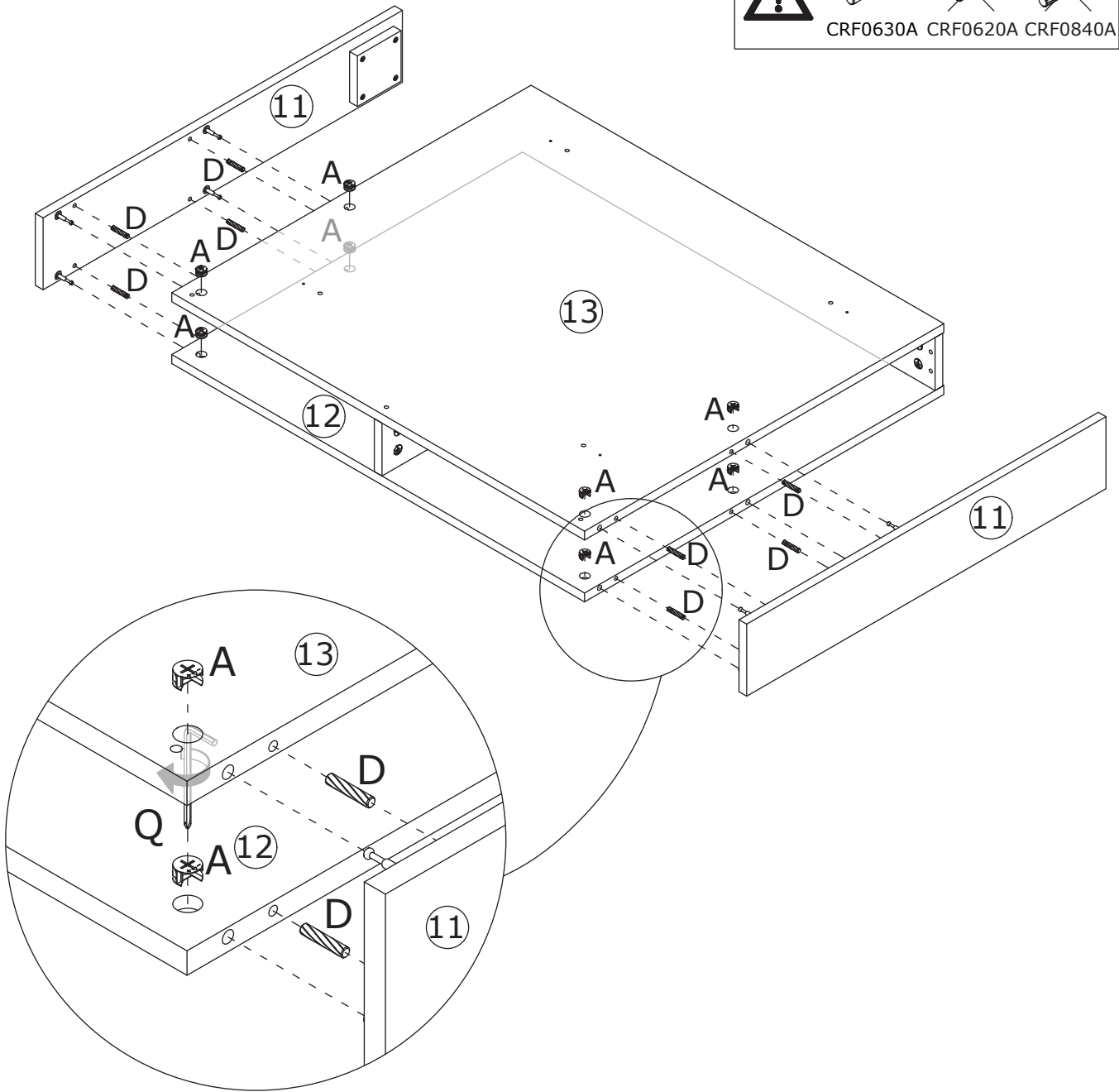
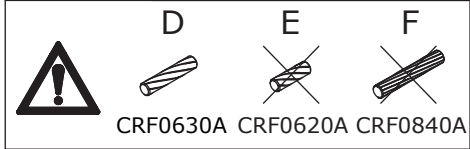
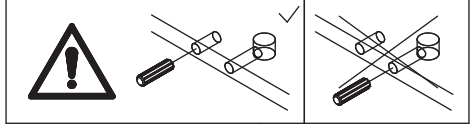
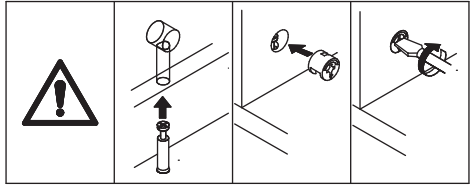
As shown in the figure, connect panel 13 to panels 14, 16, and 17 using dowels (D), then add the eccentric wheel (A) and tighten it by turning clockwise.



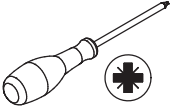
7

A x 8  CRB1595A	D x 8  CRF0630A	Q x 1 	
--	--	--	---

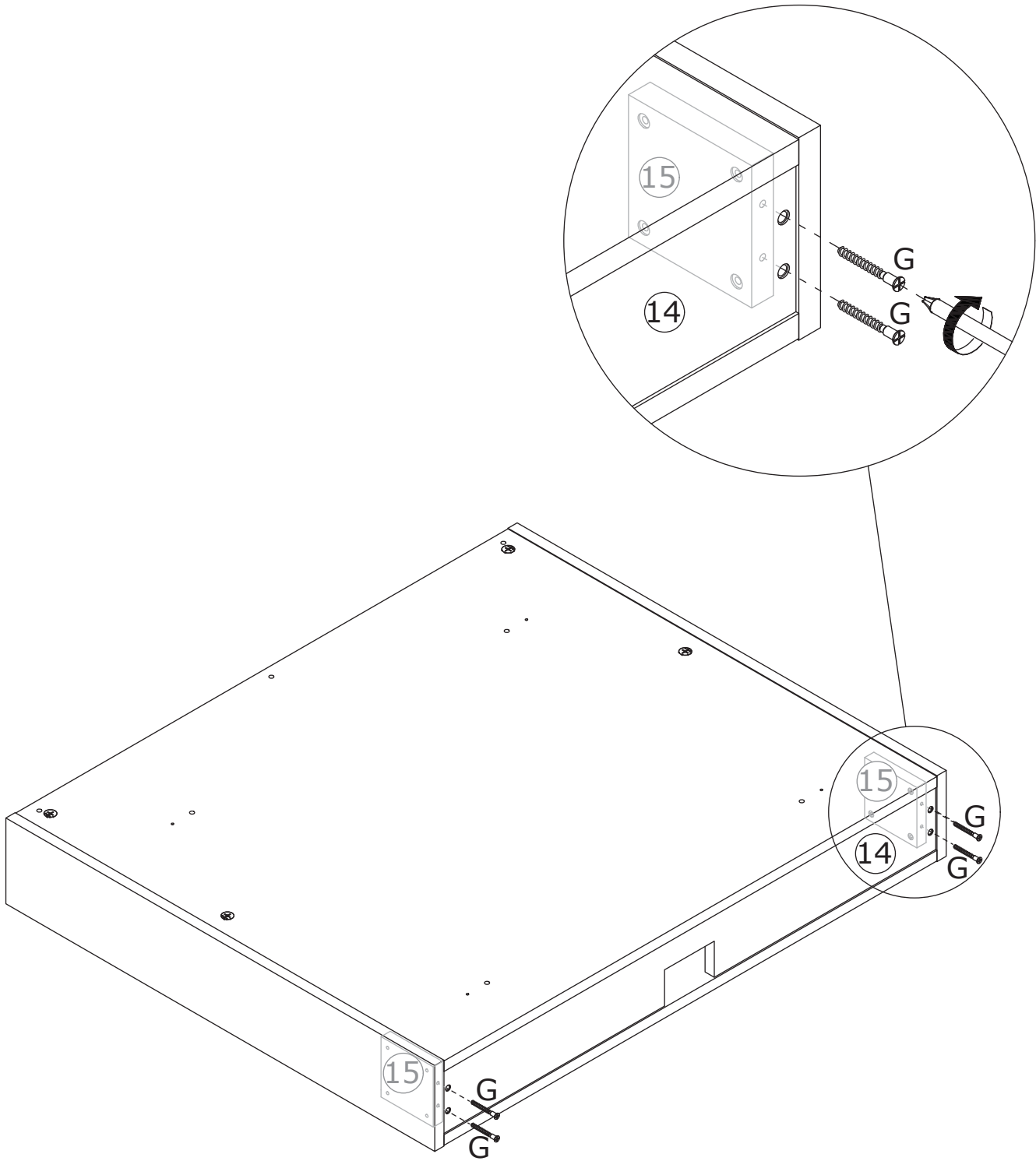
As shown in the figure, connect panel 11 to panels 12 and 13 using a wooden dowel (D). Install the eccentric wheel (A) and use part (Q) to tighten it by turning clockwise.



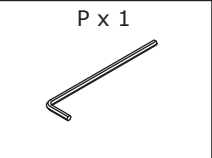
8



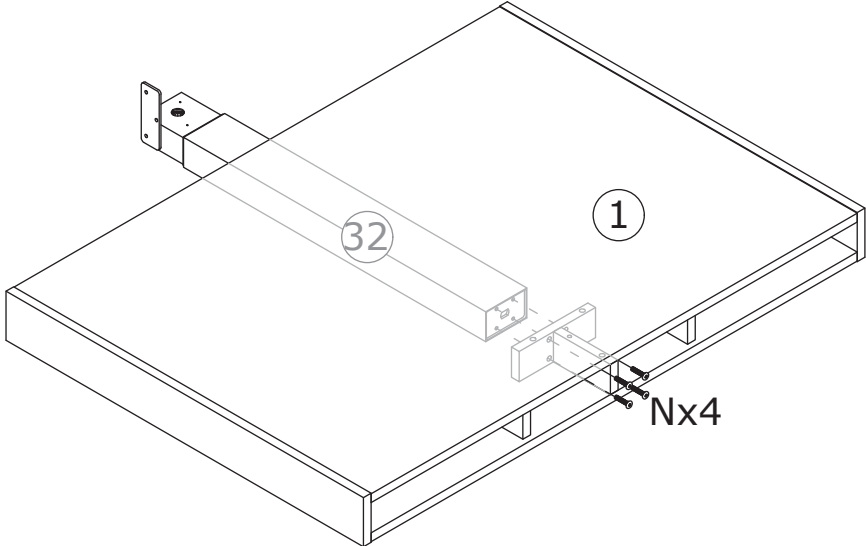
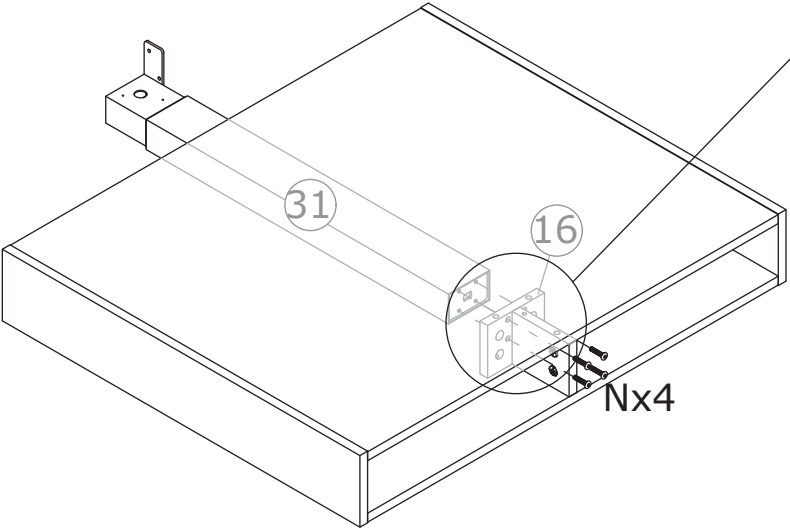
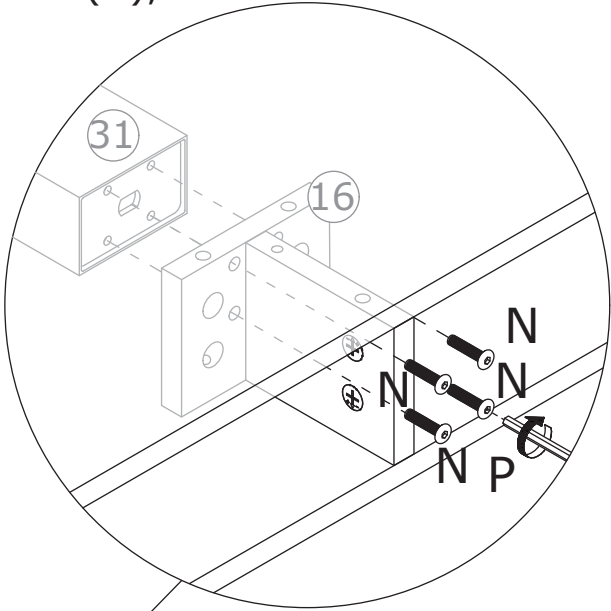
As shown in the figure, use screws (G) to secure panel 14 to panel 15.



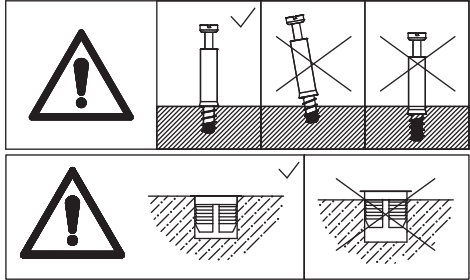
9



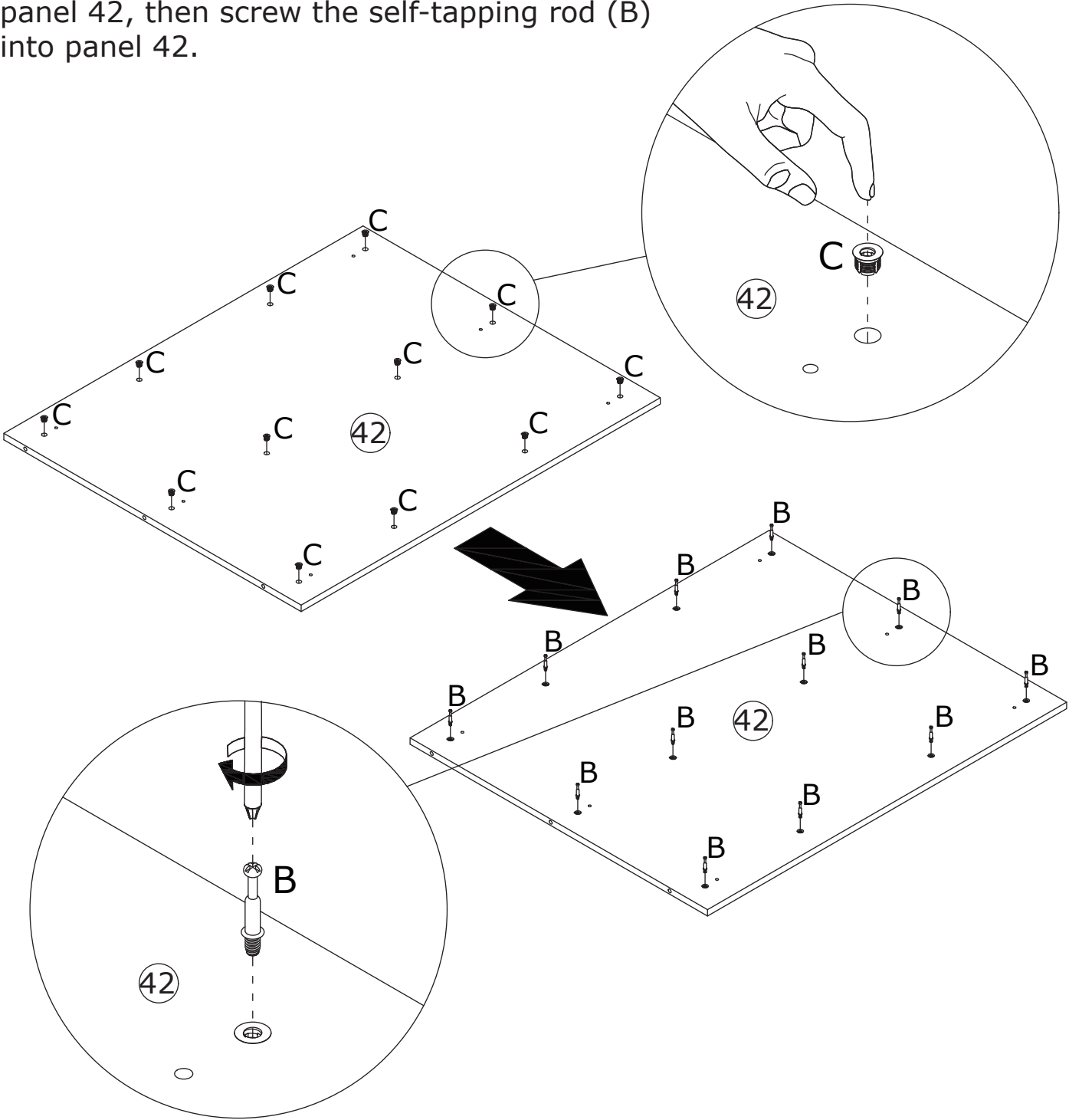
As shown in the figure, attach part (31) to panel 16 using screw (N), and tighten it by turning clockwise with part (P). Attach part (32) to panel 1 using screw (N), and tighten it by turning clockwise with part (P).



10



As shown in the figure, first install component (C) onto panel 42, then screw the self-tapping rod (B) into panel 42.



11

A x 12

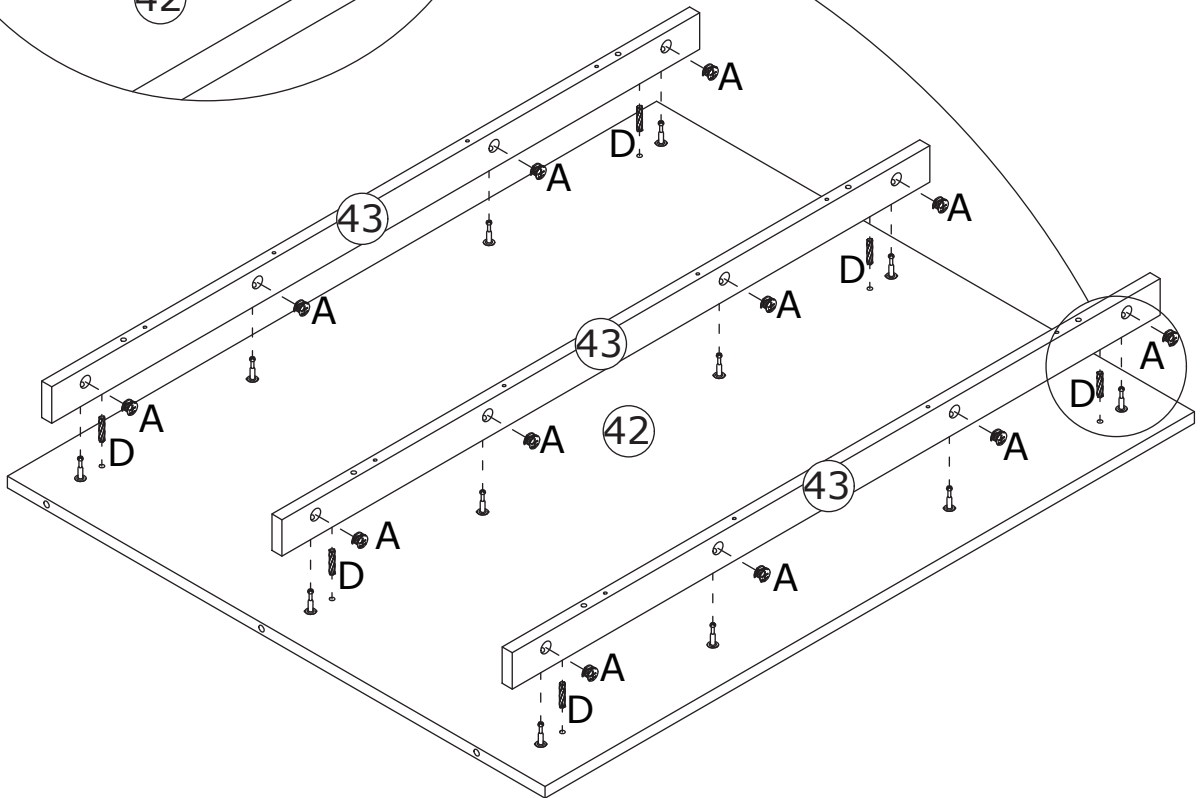
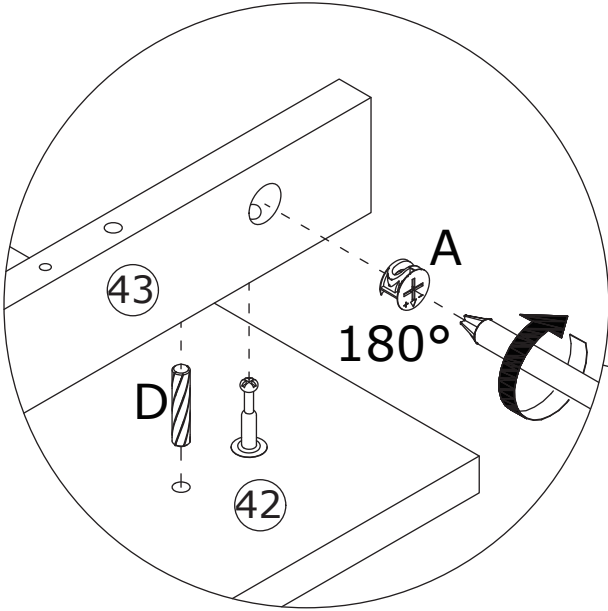
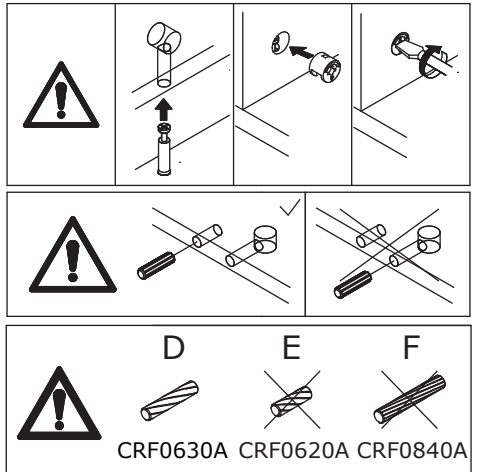
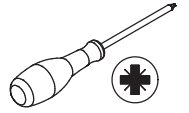


CRB1595A

D x 6



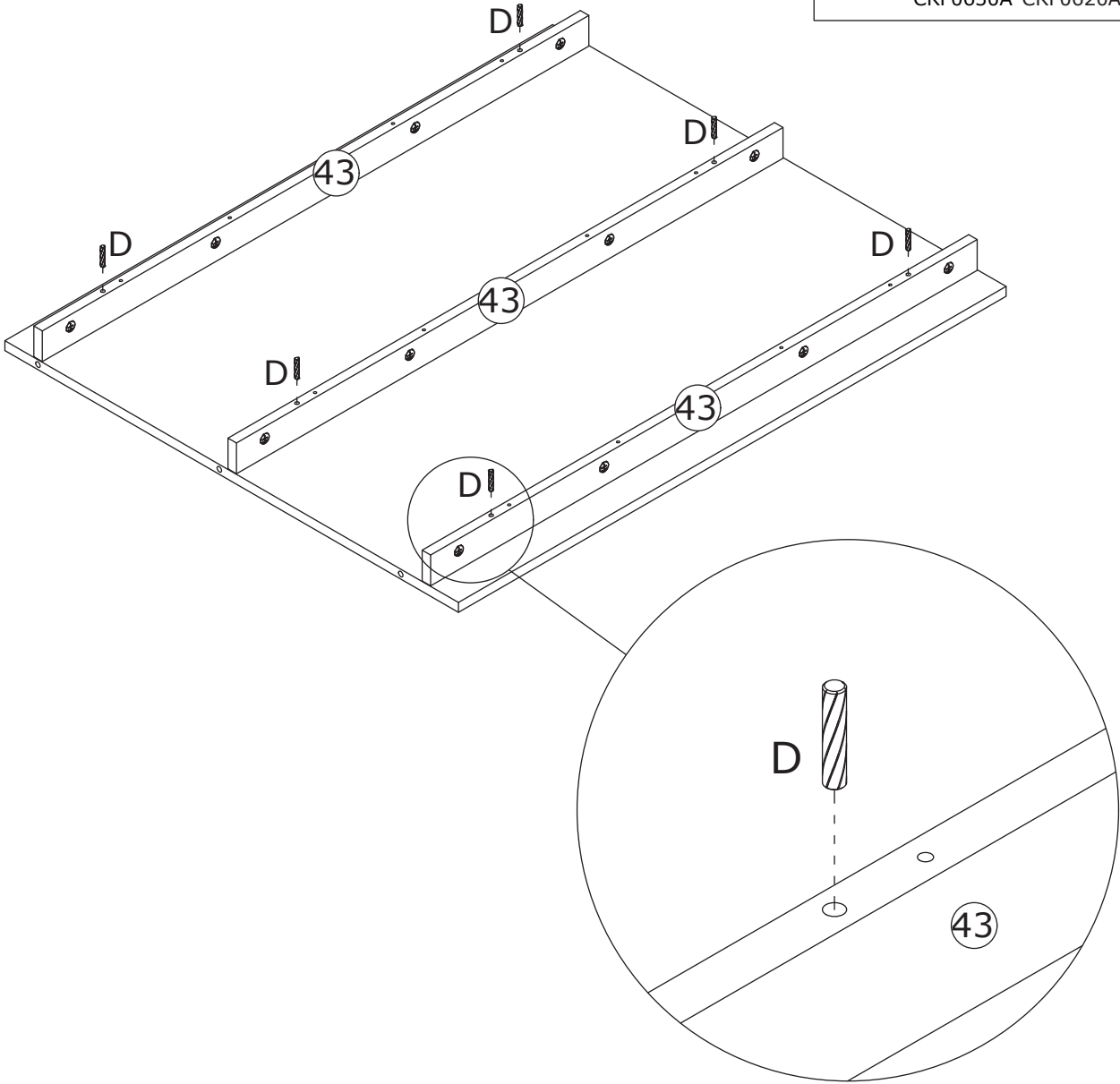
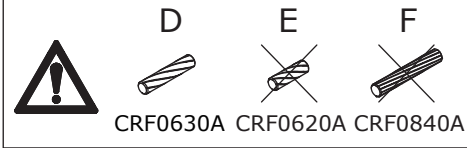
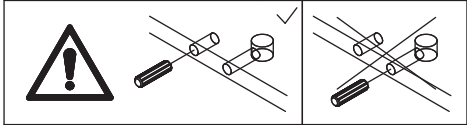
CRF0630A



As shown in the figure, connect panel 43 to panel 42 using wooden dowel (D), then add the eccentric wheel (A) and tighten it by turning clockwise.

12

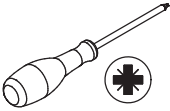
D x 6
CRF0630A



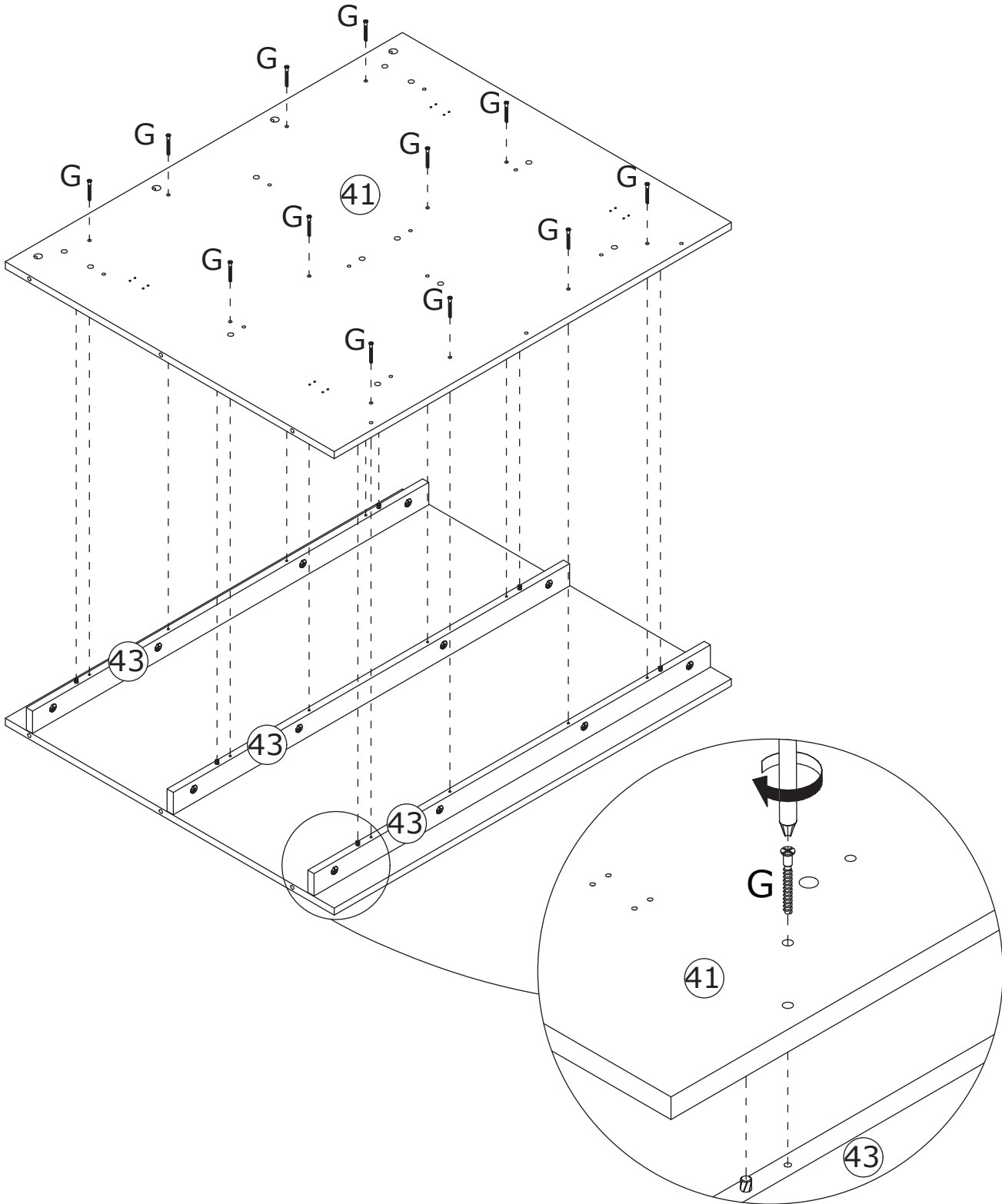
As shown in the figure, install the wooden dowel (D) into panel 43.

13

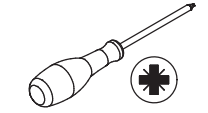
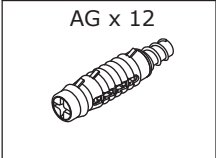
G x 12
CRC0540A



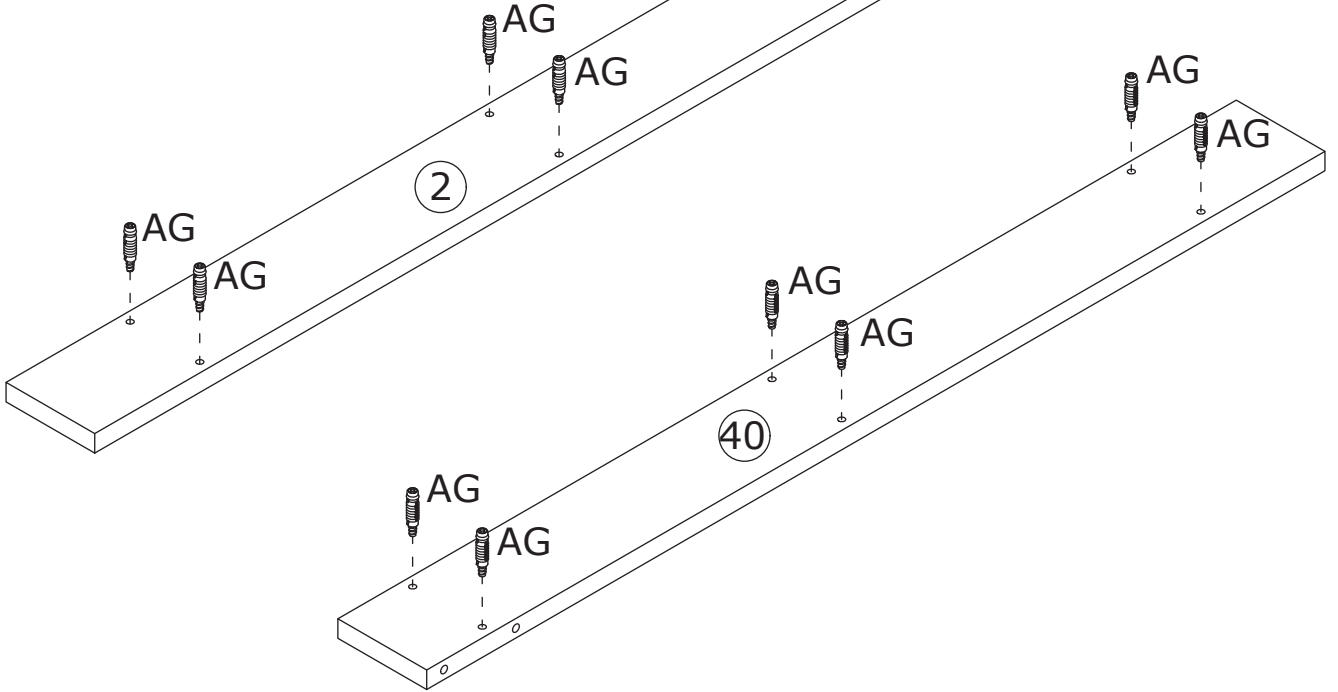
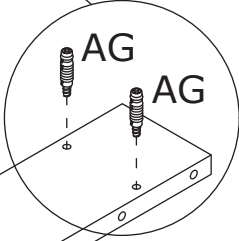
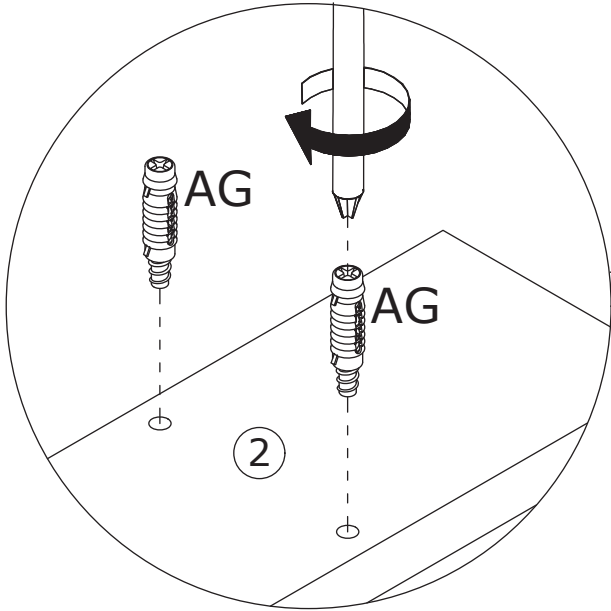
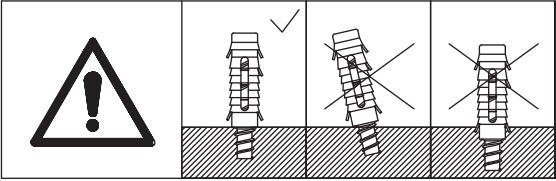
As shown in the figure, connect panel 41 to panel 43 and secure with screws (G).



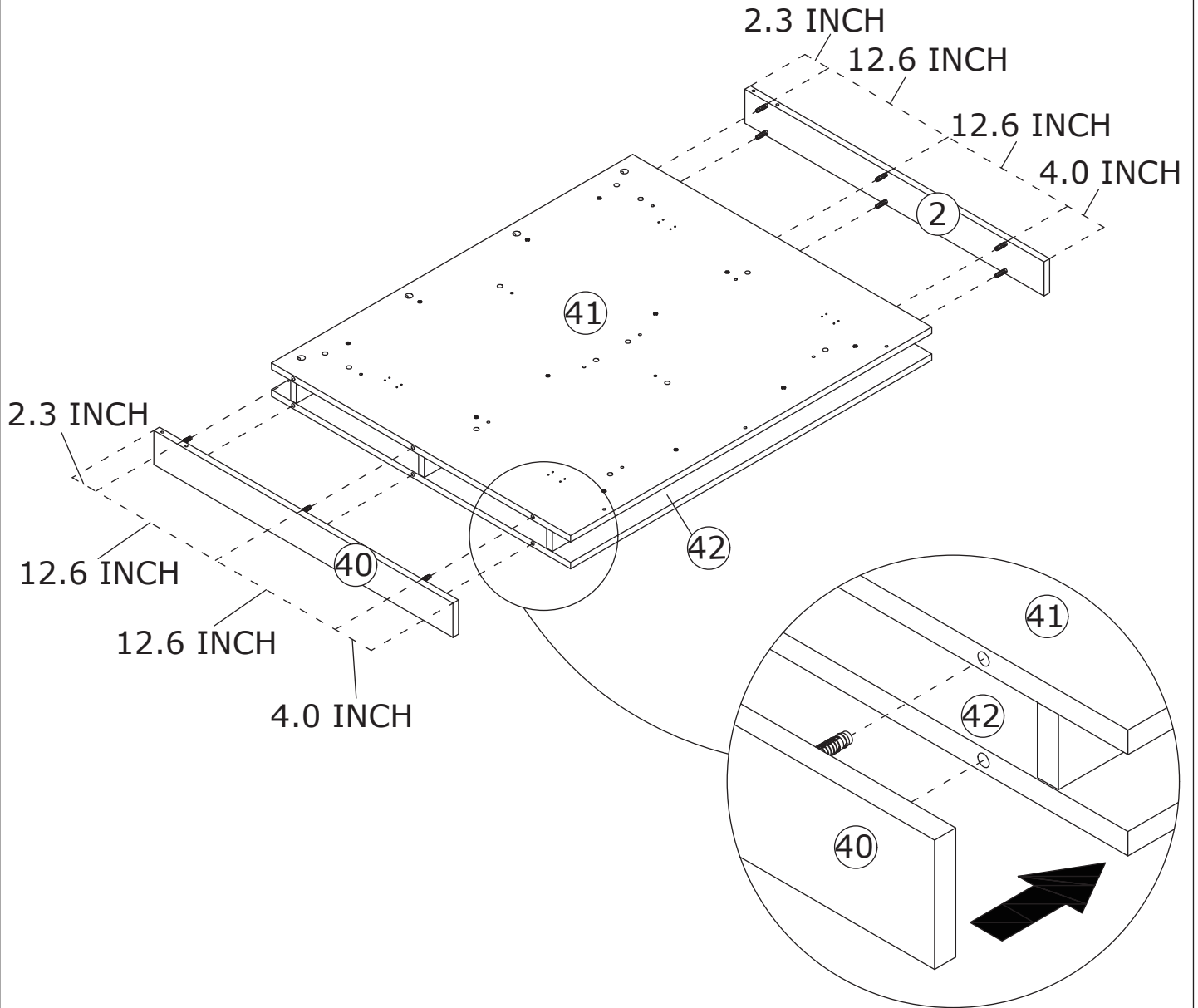
14



As shown in the figure, install component (AG) onto panel 2 and 40.

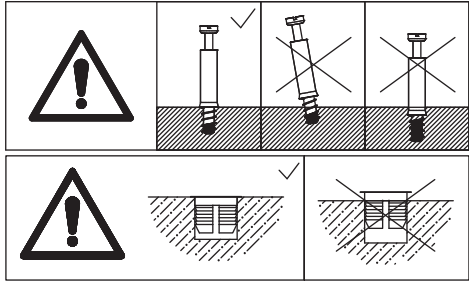
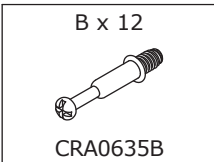


15

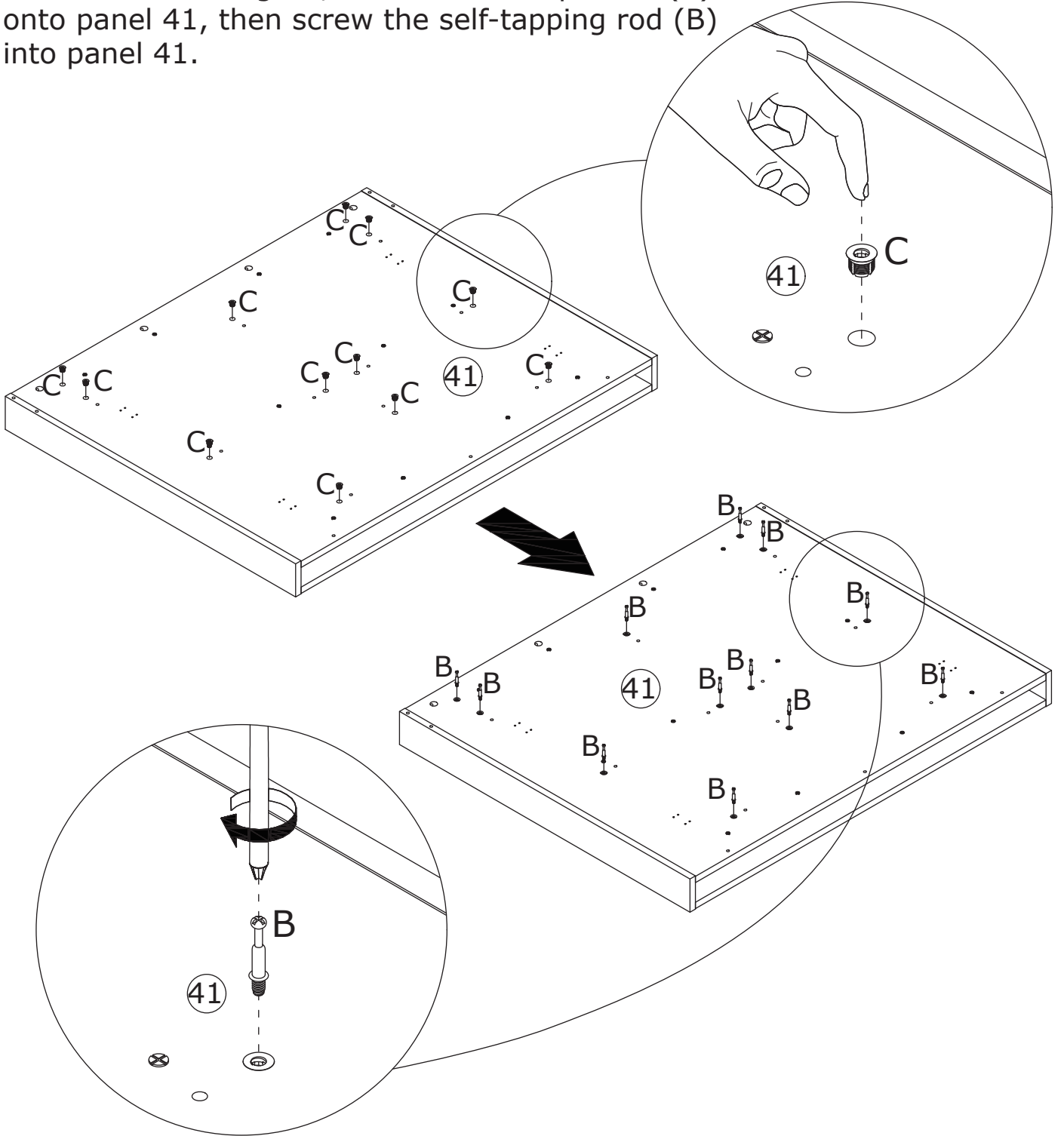


As shown in the figure, install Panel 2 and 40 onto Panel 41 and 42.
Note: Pay attention to the installation orientation of Panel 2 and 40 during assembly.

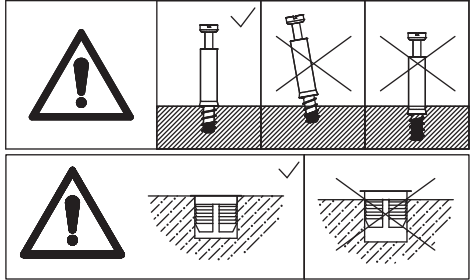
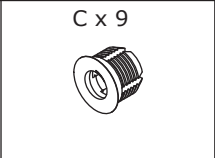
16



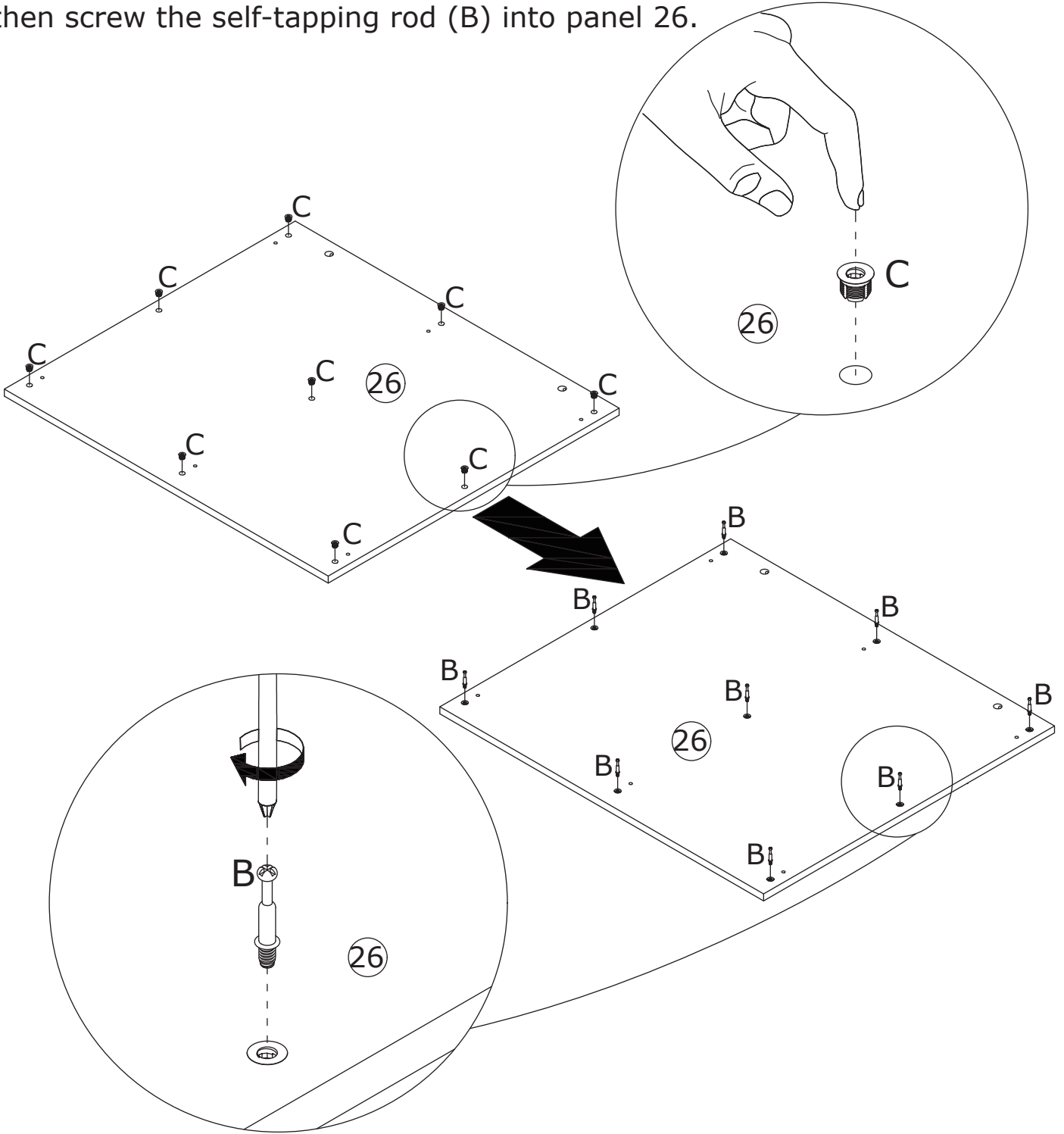
As shown in the figure, first install component (C) onto panel 41, then screw the self-tapping rod (B) into panel 41.



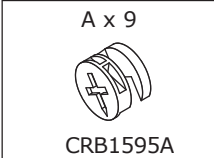
17



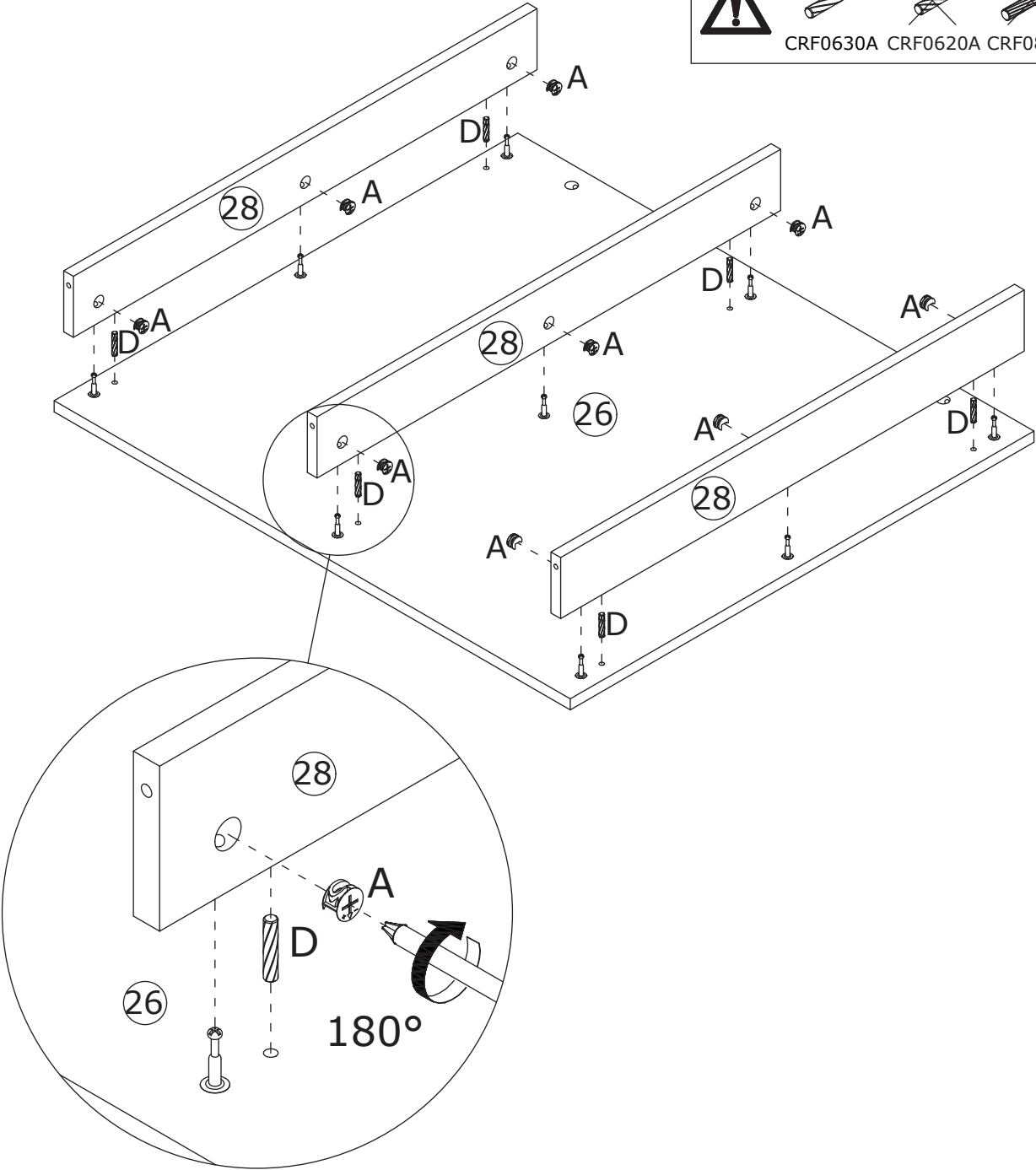
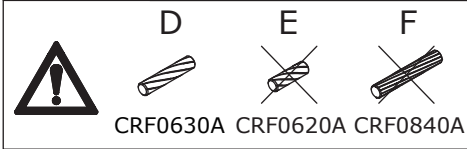
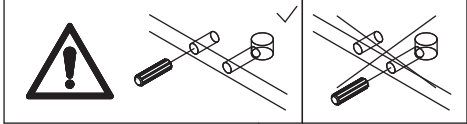
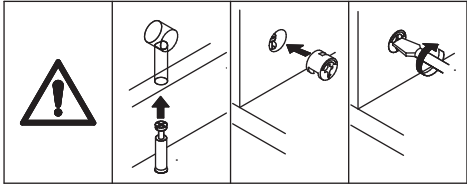
As shown in the figure, first install component (C) onto panel 26, then screw the self-tapping rod (B) into panel 26.



18



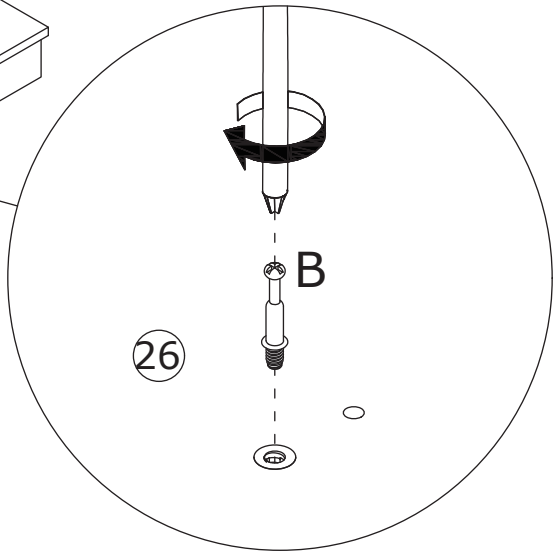
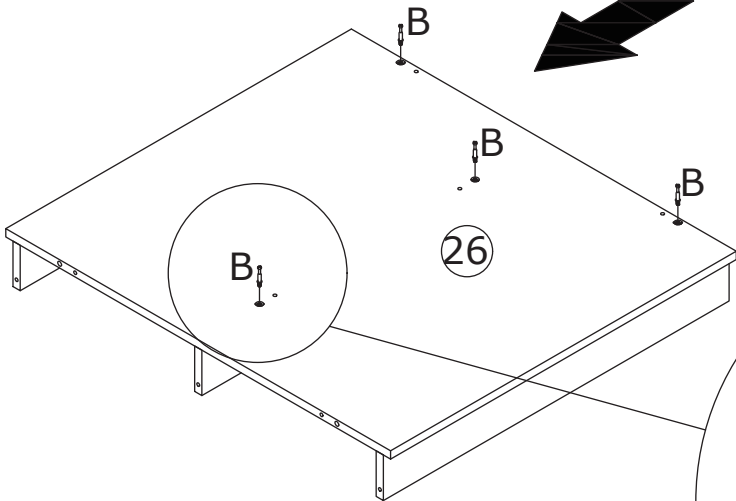
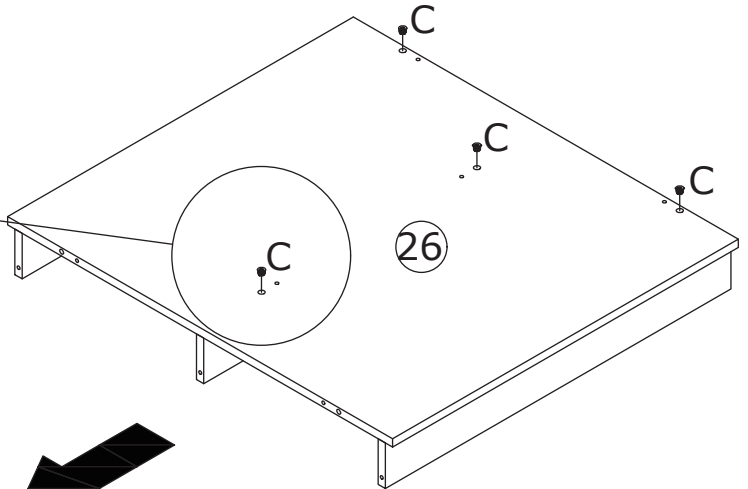
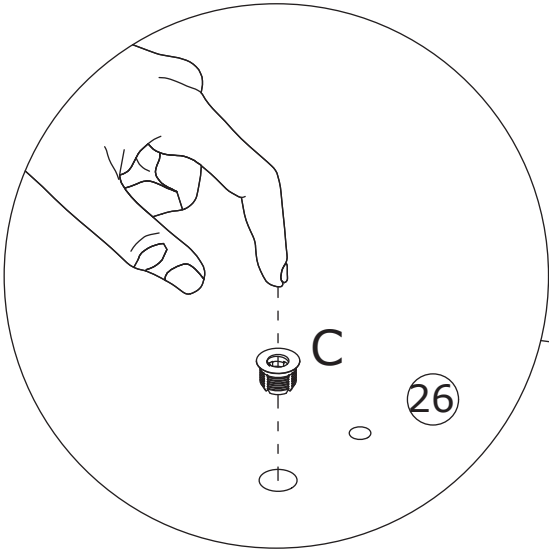
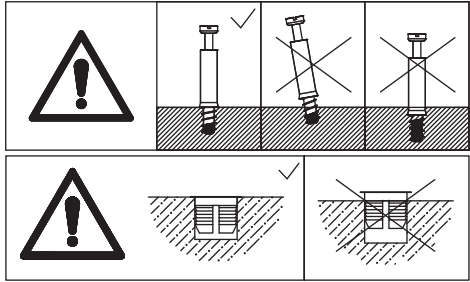
As shown in the figure, connect panel 28 to panel 26 using wooden dowel (D), then insert the eccentric wheel (A) and tighten it by turning clockwise.




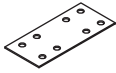
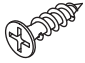
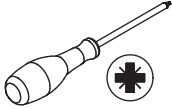
19



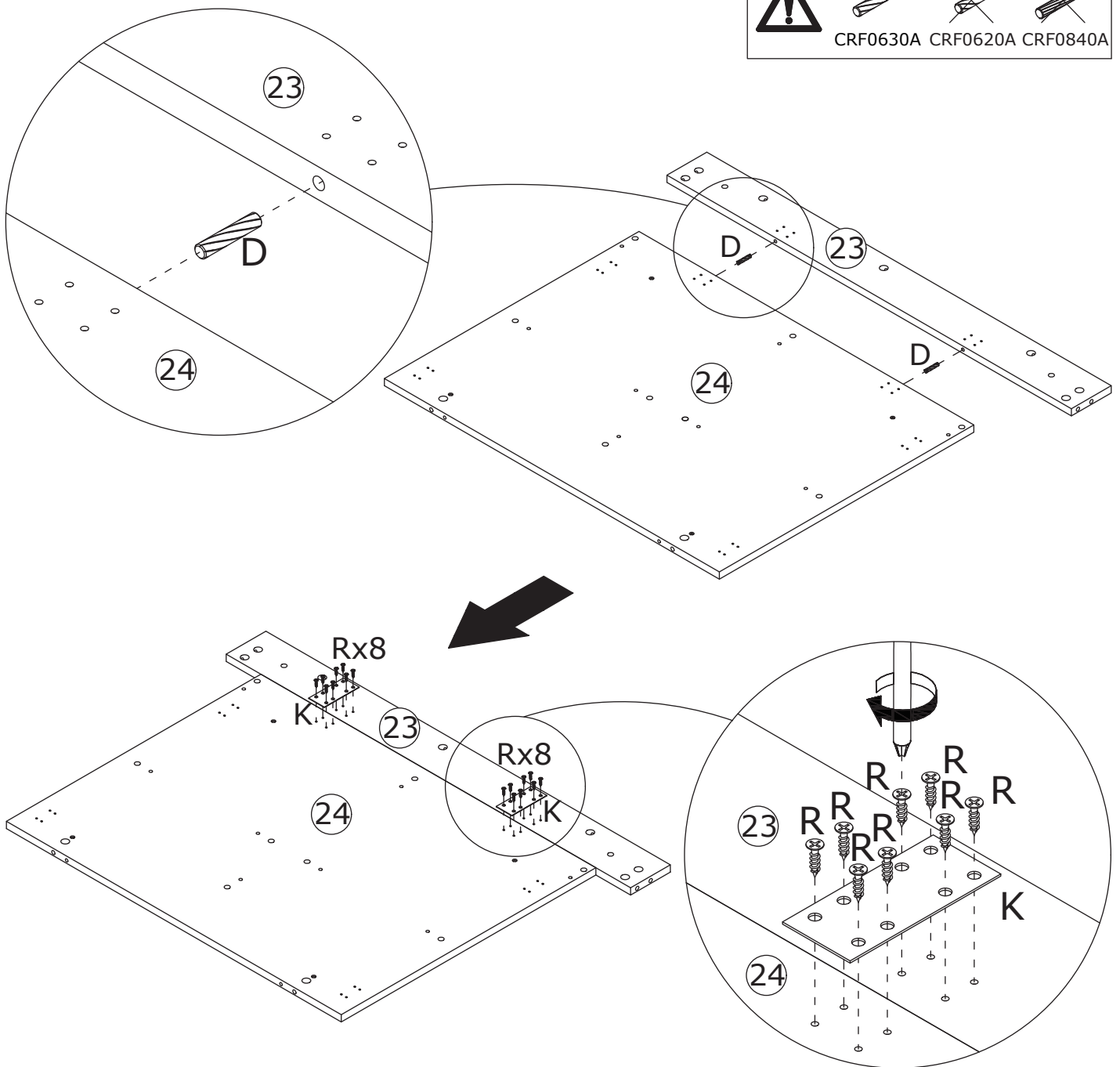
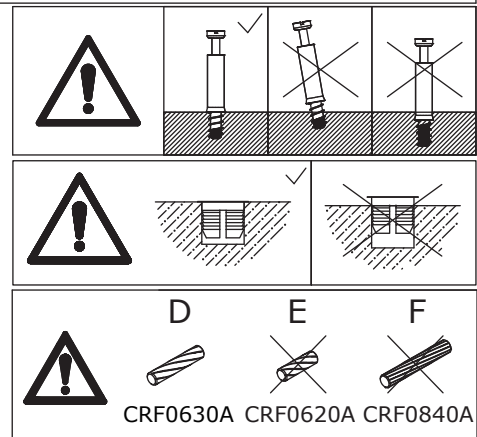
As shown in the figure, first install component (C) onto panel 26, then screw the self-tapping rod (B) into panel 26.



20

D x 2  CRF0630A	K x 2  CRD3514A	R x 16  CRD3514A	
--	--	---	---

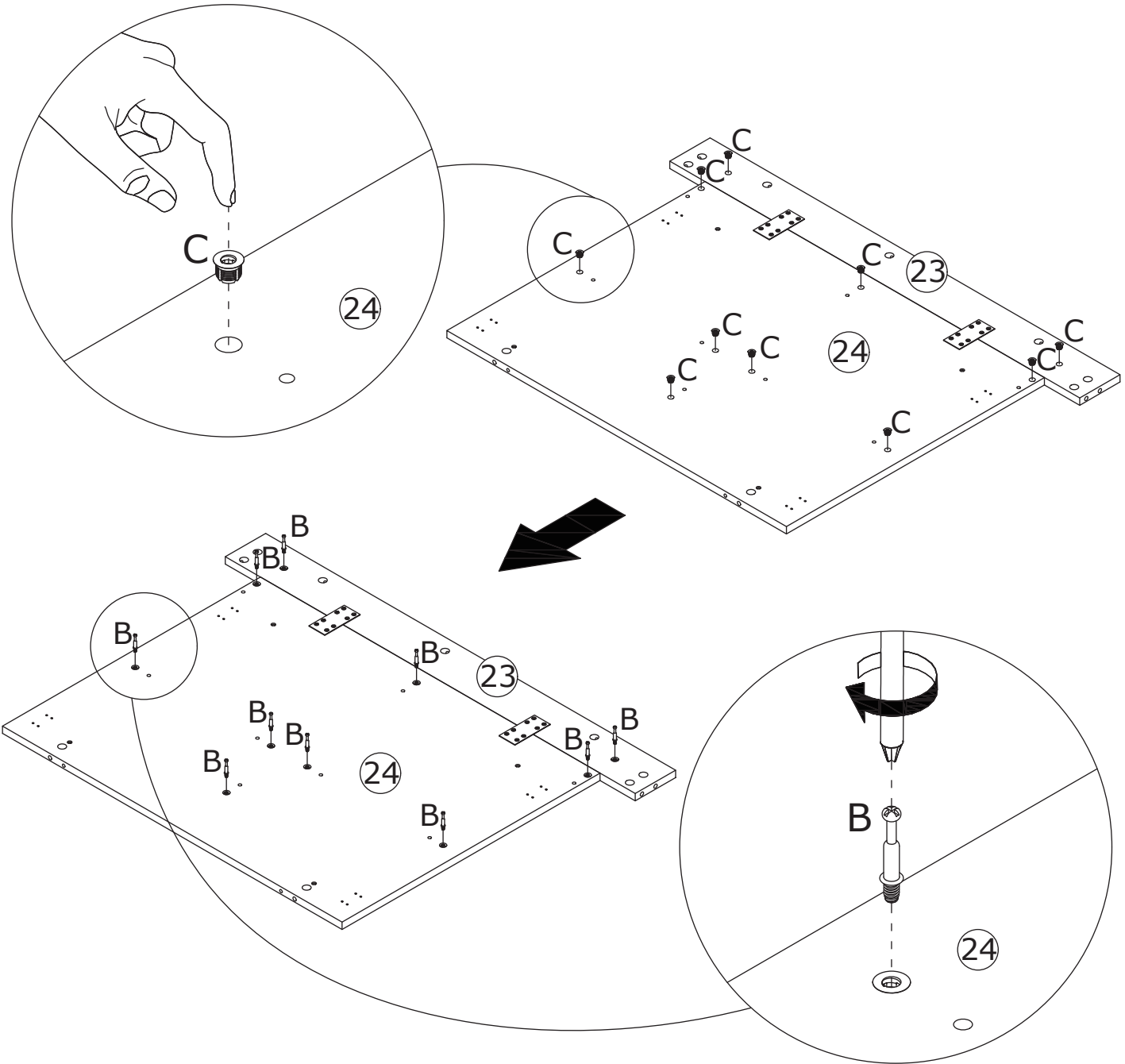
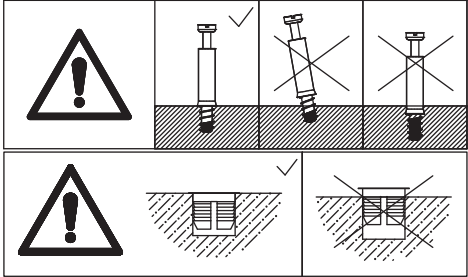
As shown in the figure, connect panel 23 to panel 24 using wooden dowel (D).
Install component (K) onto panels 23 and 24 using screws (R).



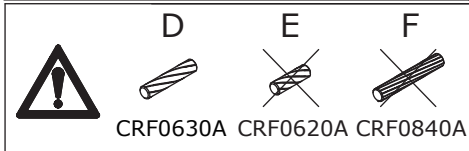
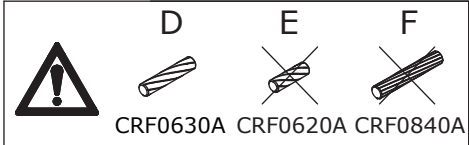
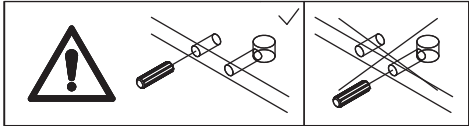
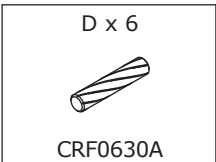
21



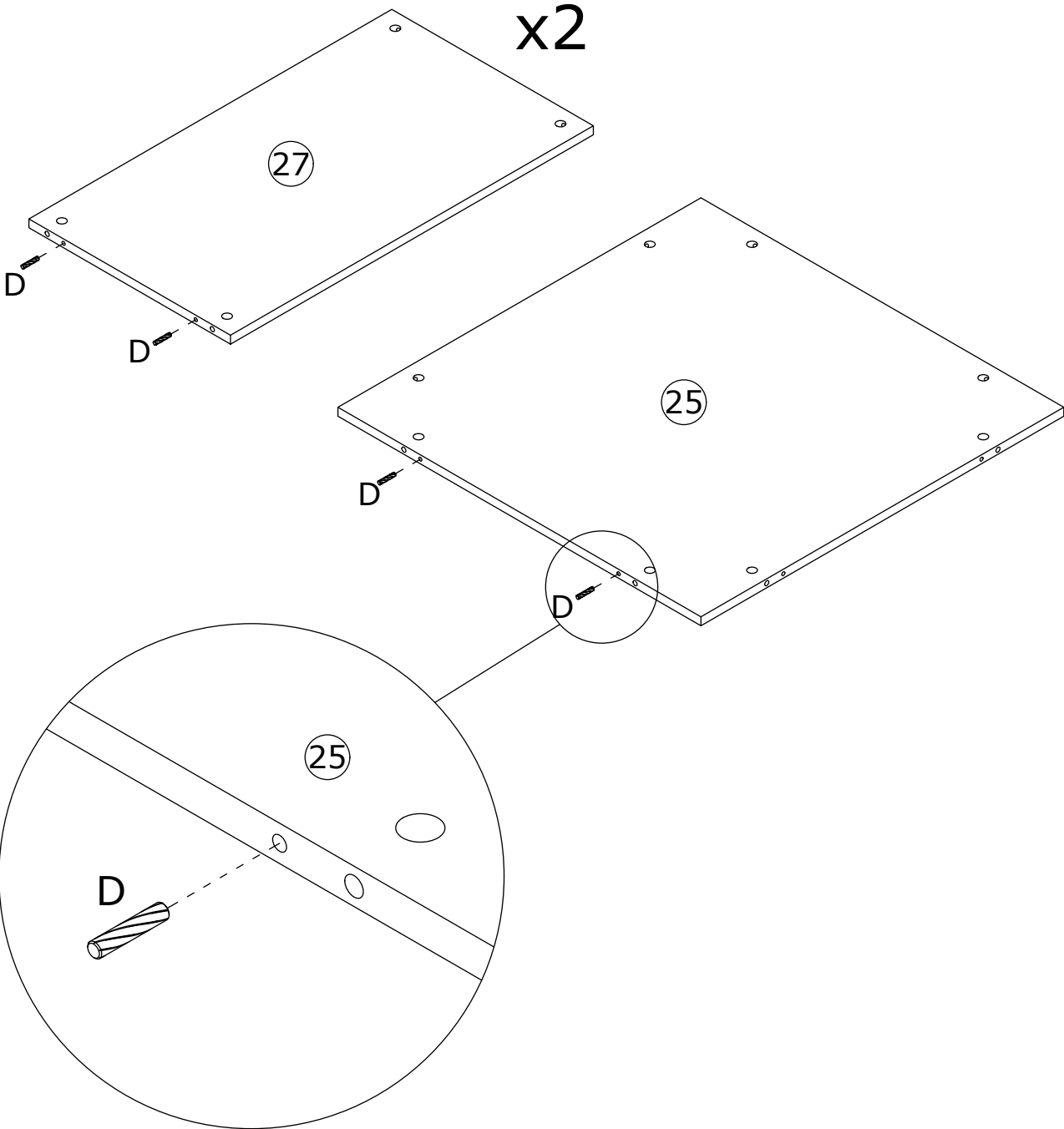
As shown in the figure, first install component (C) onto panels 23 and 24, then screw the self-tapping rod (B) into panels 23 and 24.



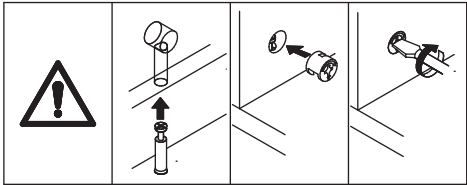
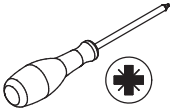
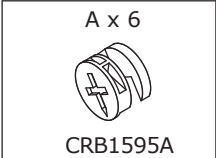
22



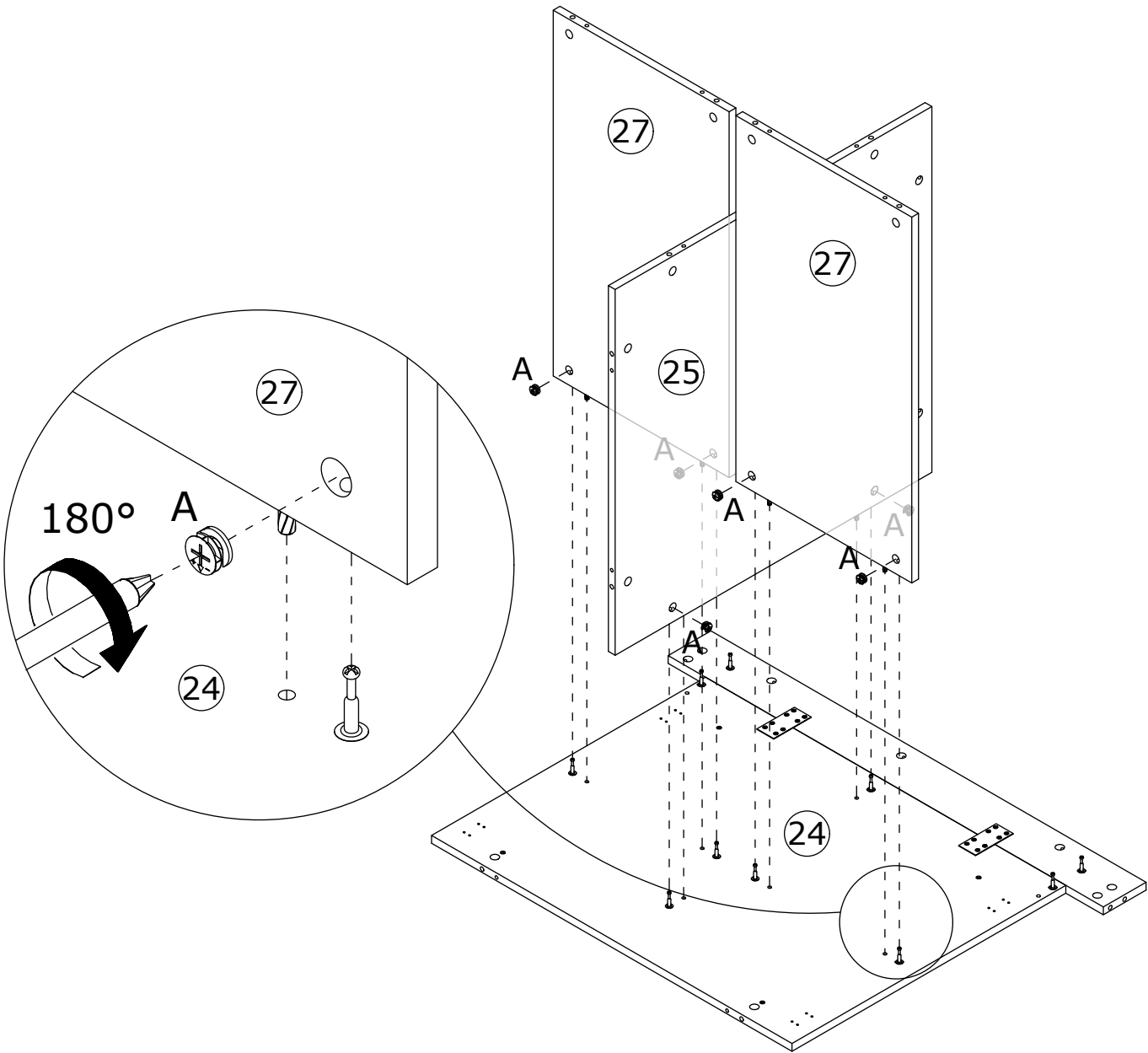
As shown in the figure, install the wooden dowel (D) into panels 25 and 27.



23




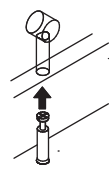
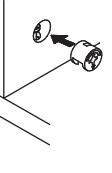
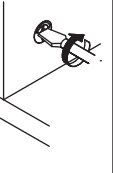

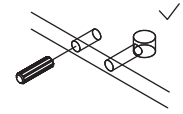
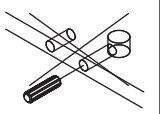




As shown in the figure, connect panels 25 and 27 to panel 24, then add the eccentric wheel (A) and tighten it by turning clockwise.

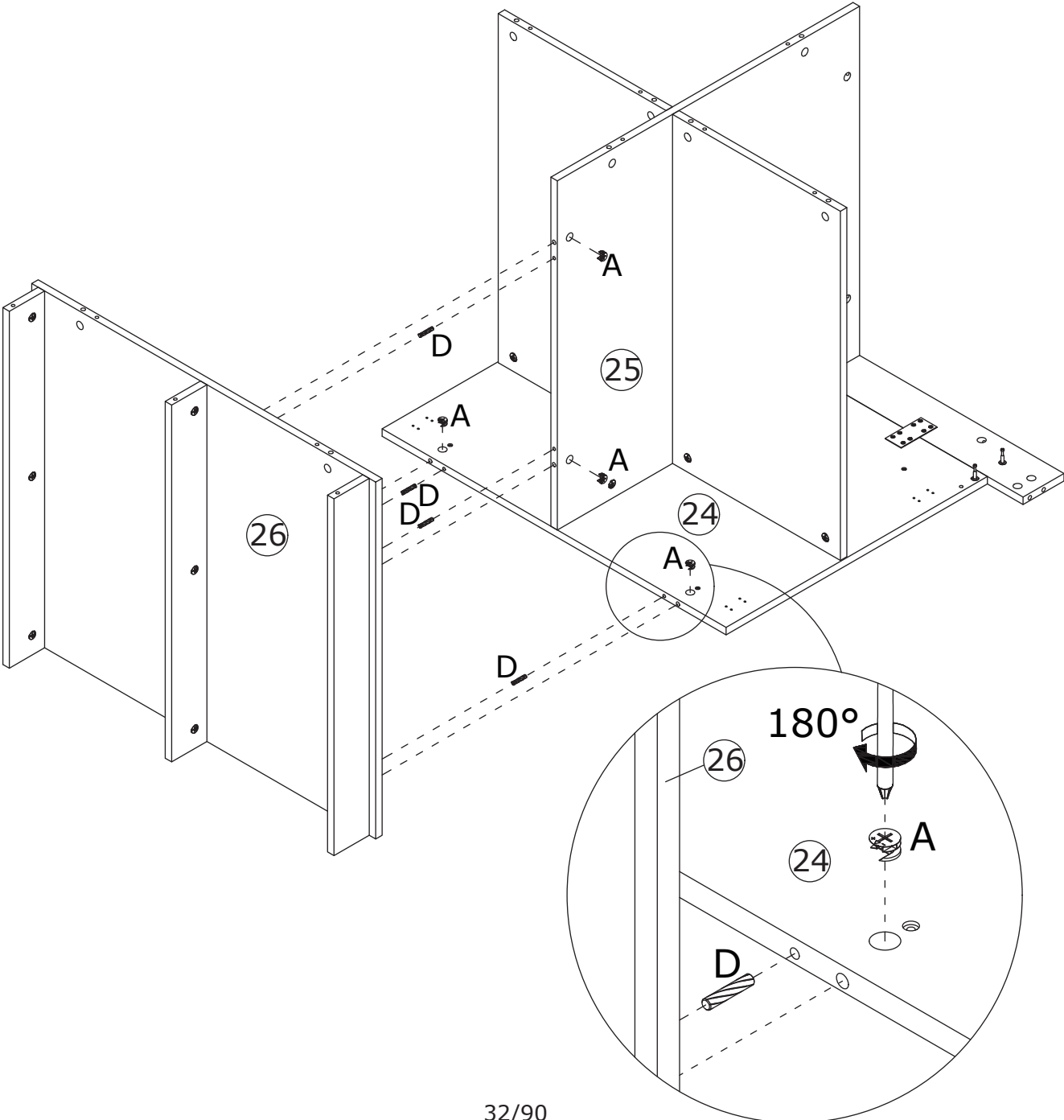


24

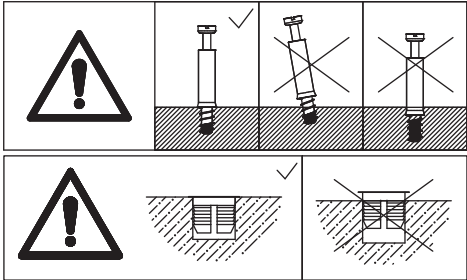
A x 4  CRB1595A	D x 4  CRF0630A	
--	--	---

As shown in the figure, connect panel 26 to panels 24 and 25 using wooden dowels (D), then insert the eccentric wheel (A) and tighten it by turning clockwise.

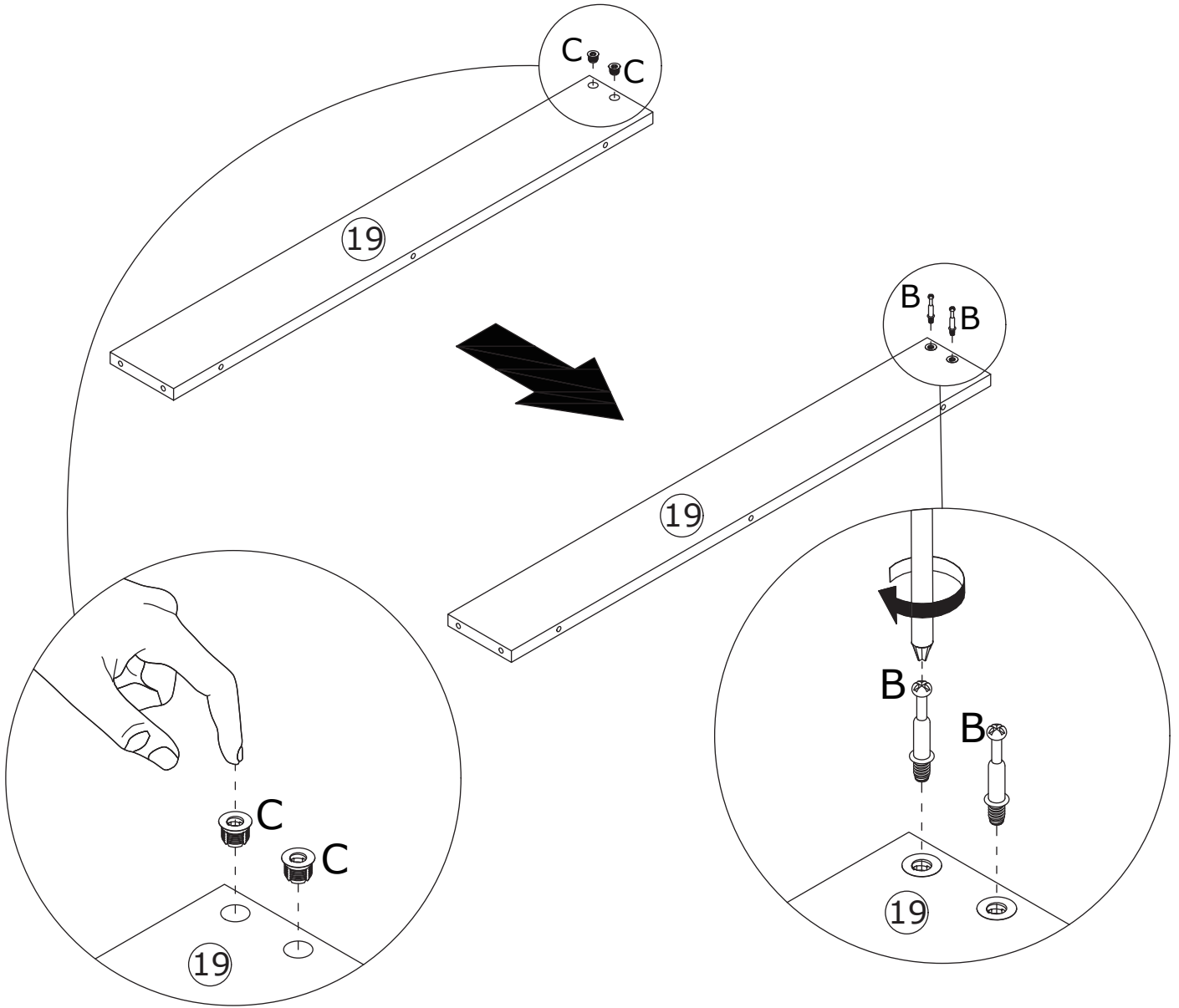
			
			
	D  CRF0630A	E  CRF0620A	F  CRF0840A



25



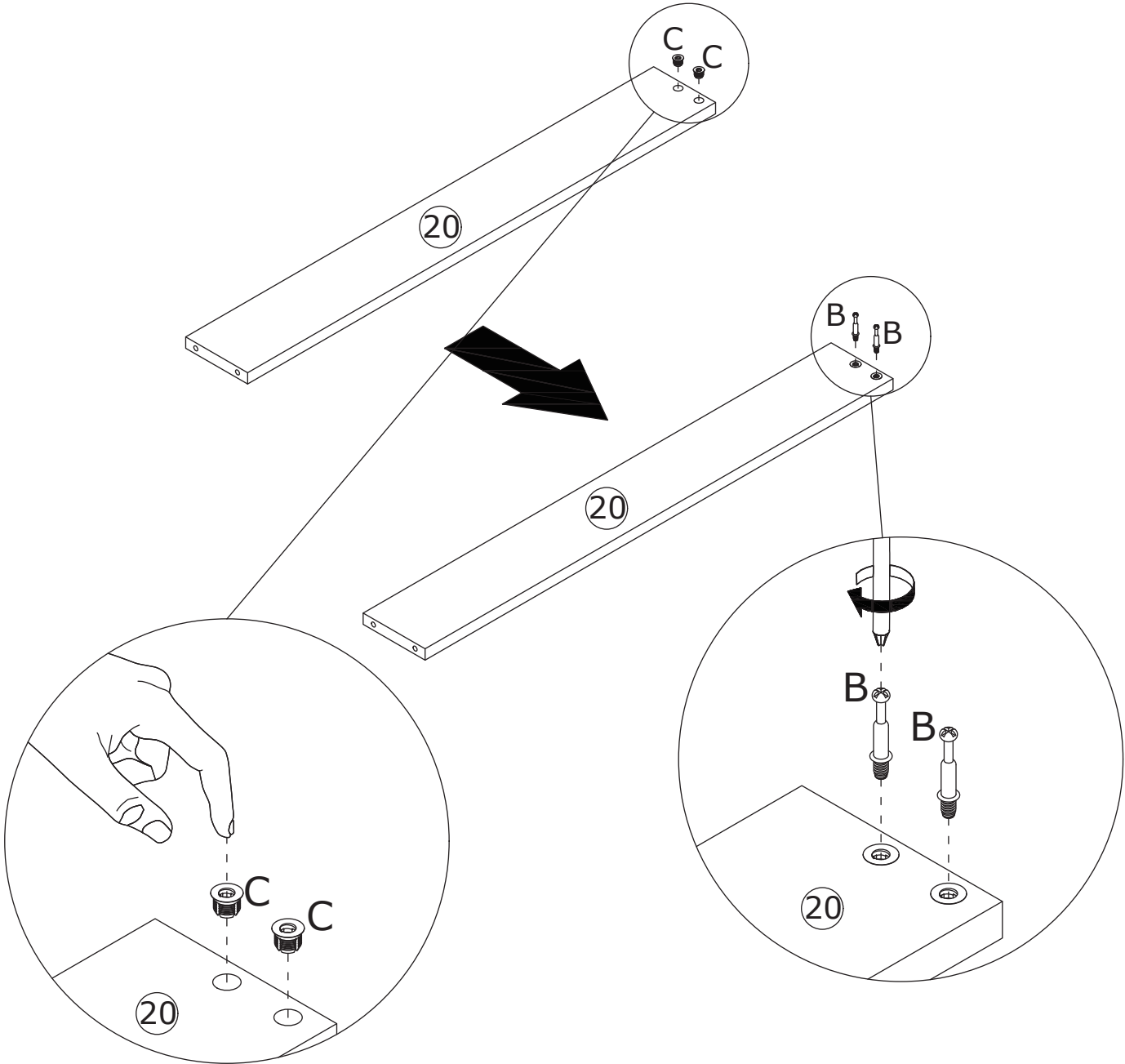
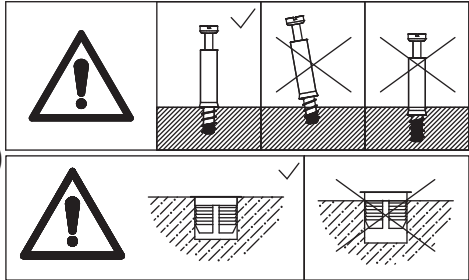
As shown in the figure, first install component (C) onto panel 19, then screw the self-tapping rod (B) into panel 19.



26

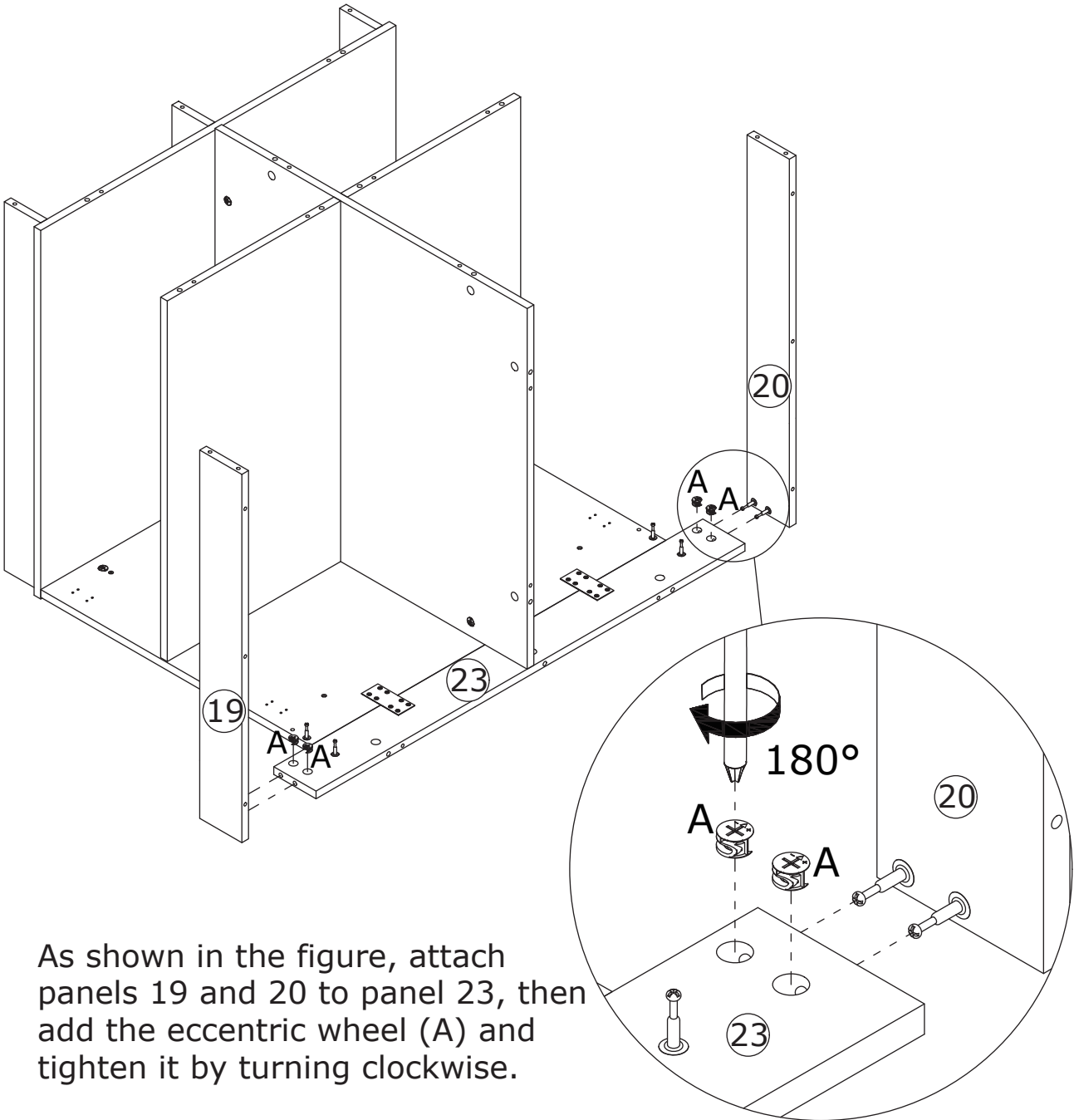
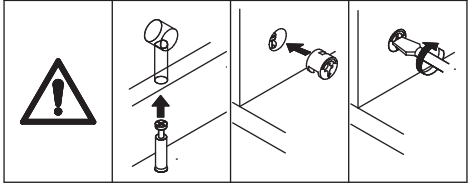
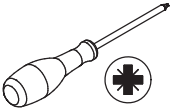


As shown in the figure, first install component (C) onto panel 20, then screw the self-tapping rod (B) into panel 20.



27


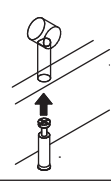
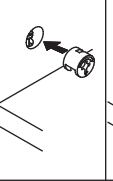


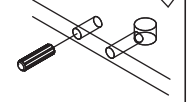
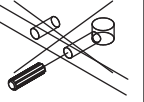




A x 4
CRB1595A



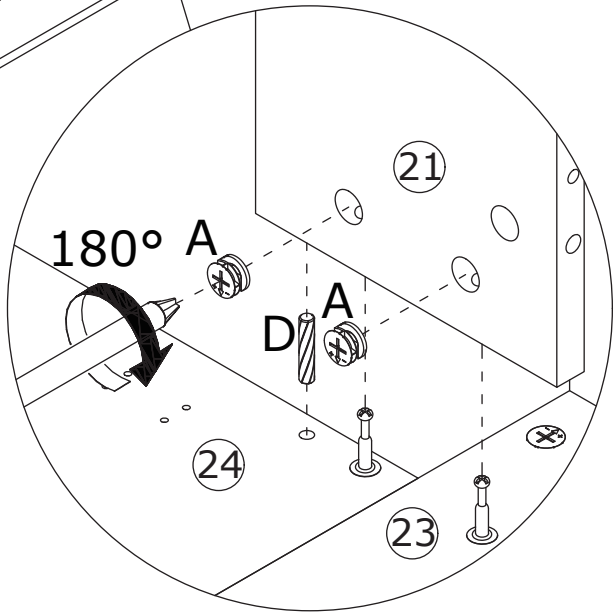
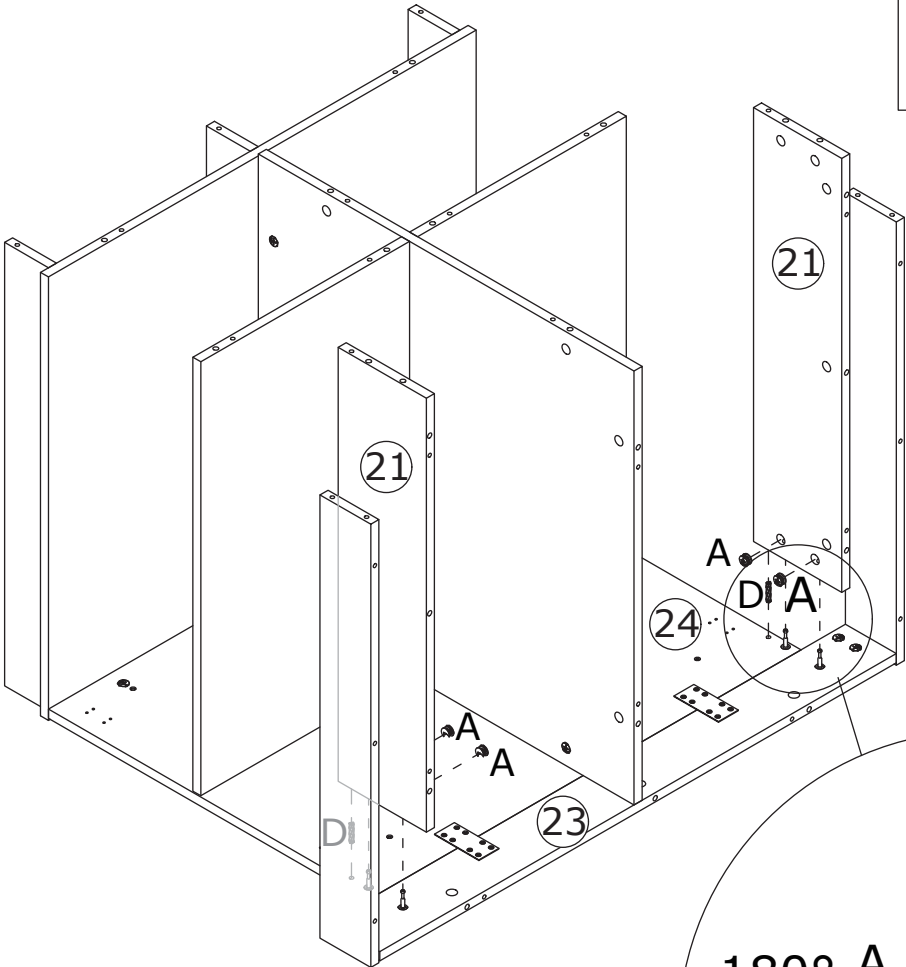
As shown in the figure, attach panels 19 and 20 to panel 23, then add the eccentric wheel (A) and tighten it by turning clockwise.

28

A x 4  CRB1595A	D x 2  CRF0630A	
--	--	---

			
			
	D 	E 	F 

CRF0630A CRF0620A CRF0840A



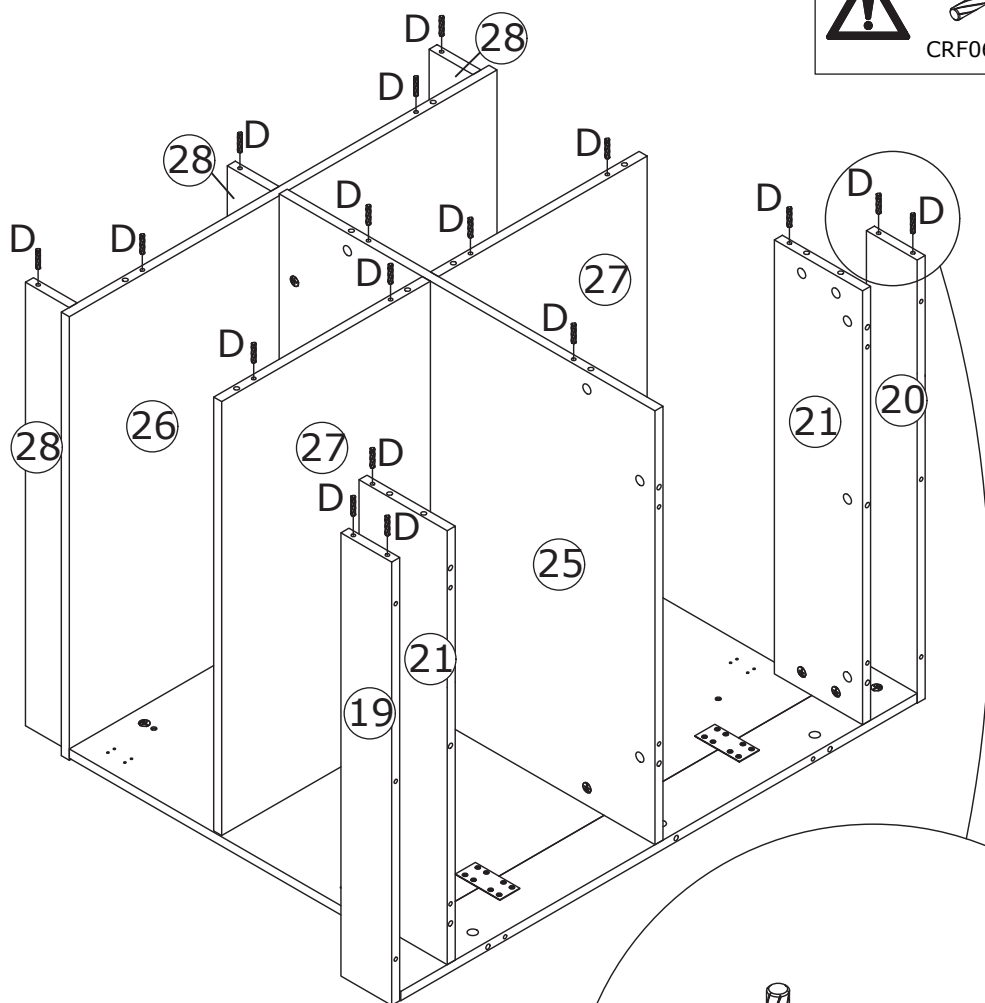
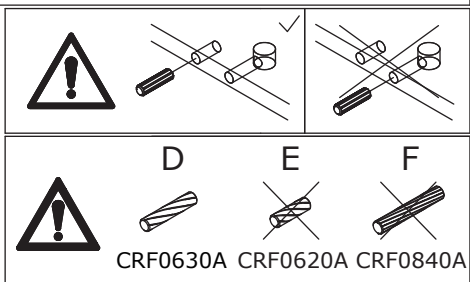
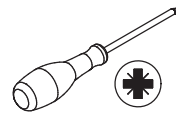
As shown in the figure, connect panel 21 to panels 23 and 24 using dowels (D), then insert the eccentric wheel (A) and tighten it by turning clockwise.

29

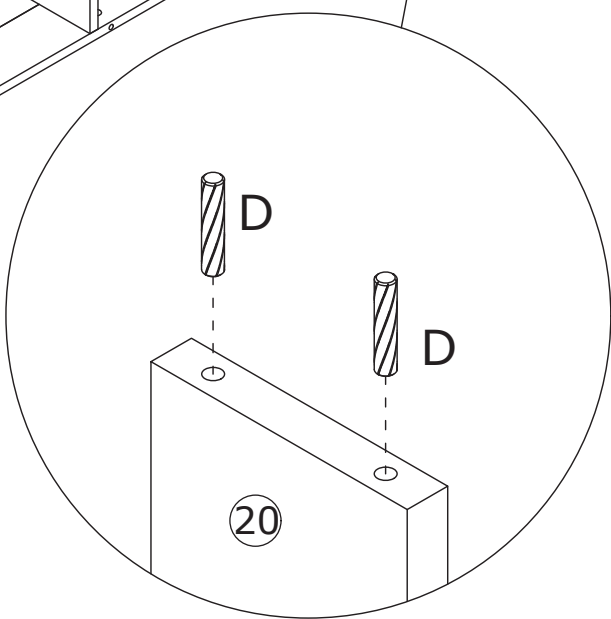
D x 17



CRF0630A

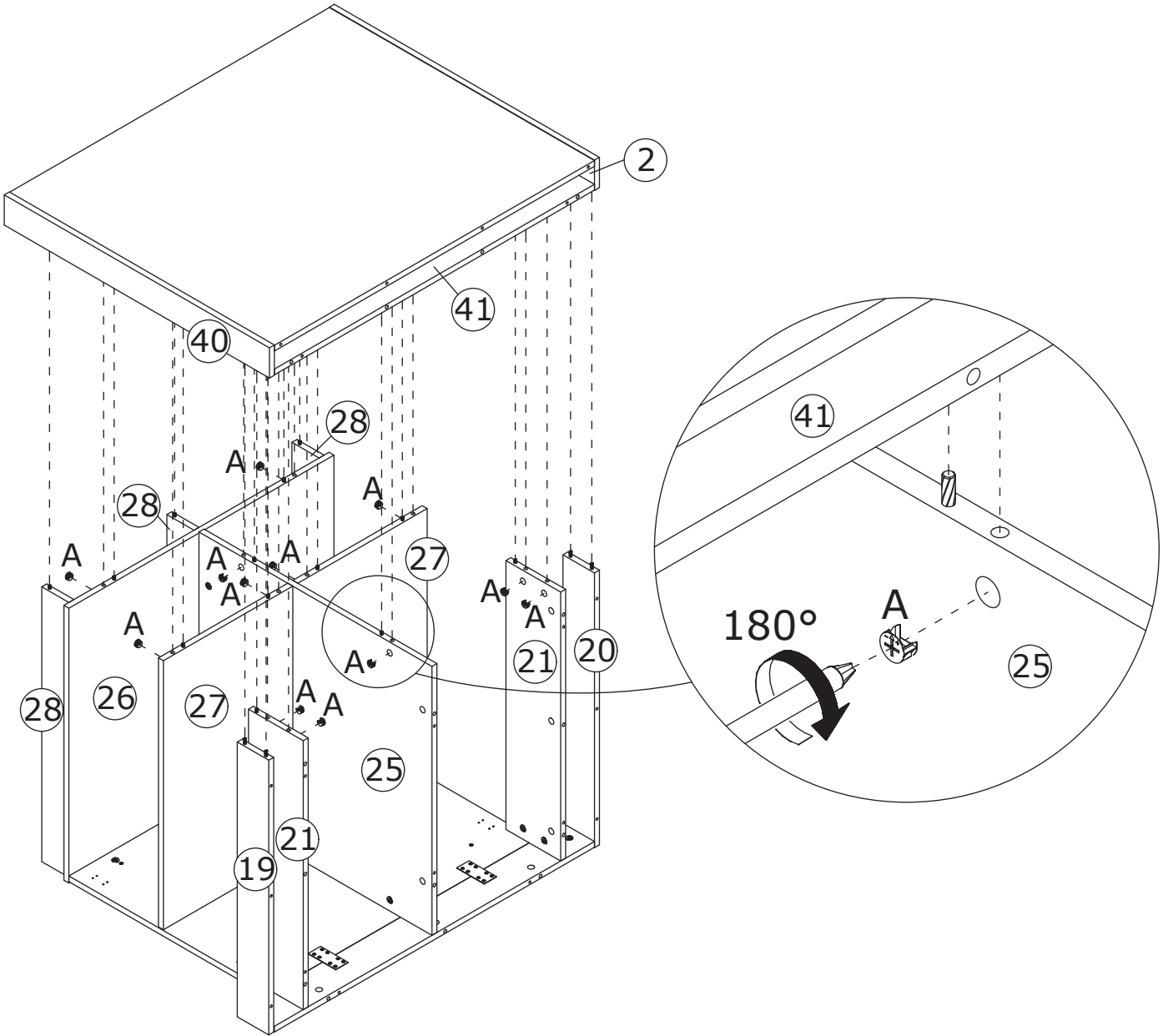
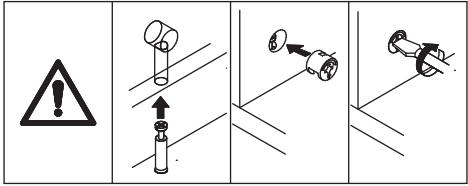
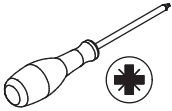


As shown in the figure, install the wooden dowel (D) into panels 19, 20, 21, 25, 26, 27, and 28.



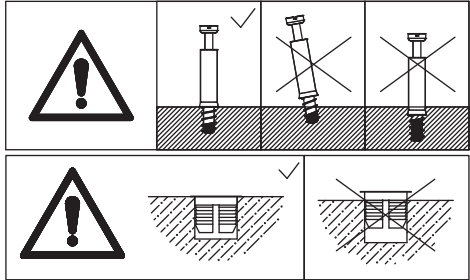
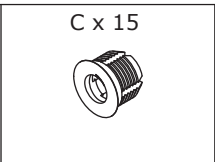
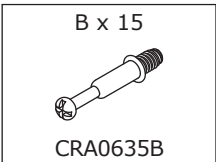
30

A x 12
CRB1595A

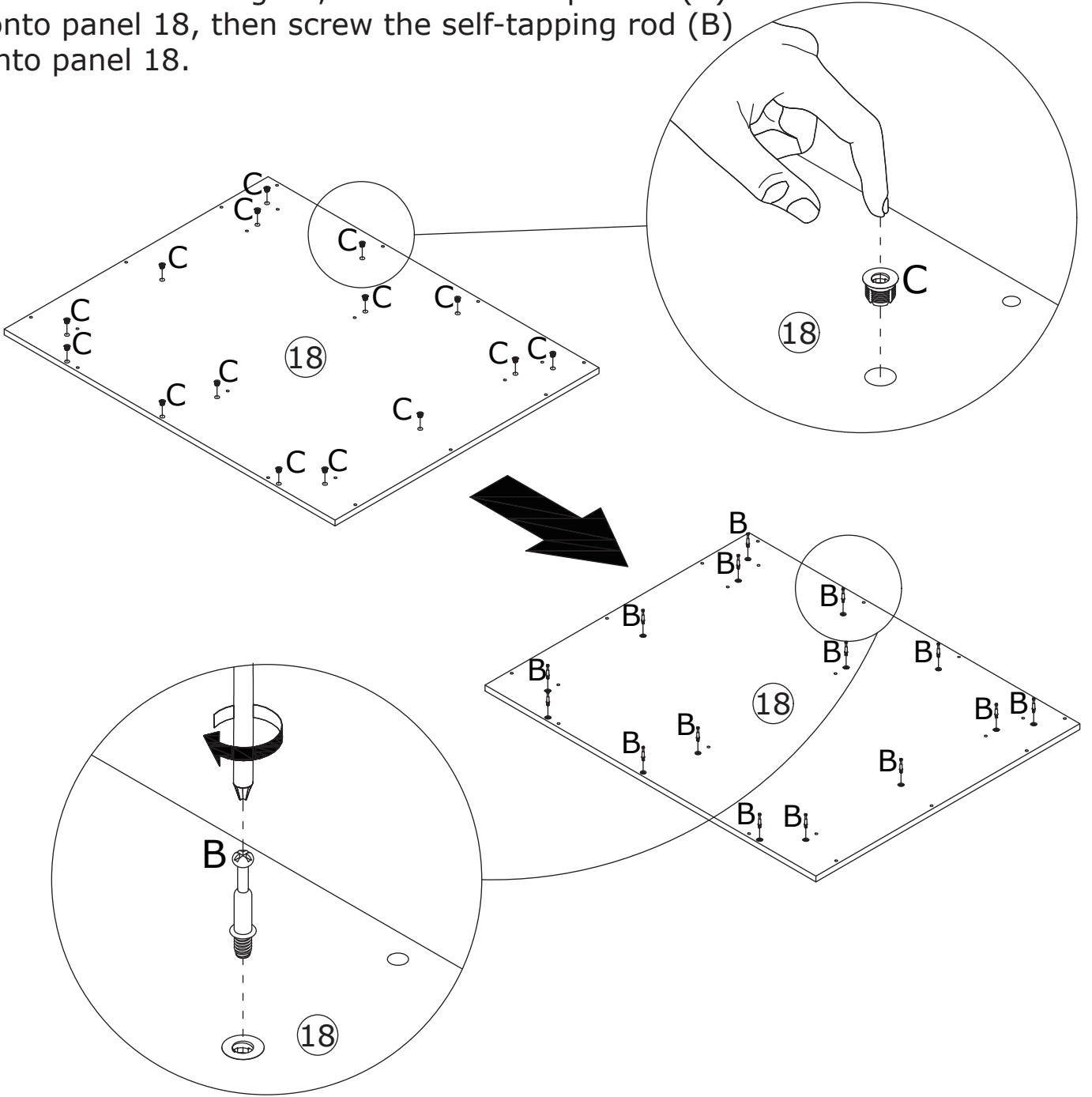


As shown in the figure, connect panels 2, 40, and 41 to the mounting unit. Insert the eccentric wheel (A) and tighten it by turning clockwise.

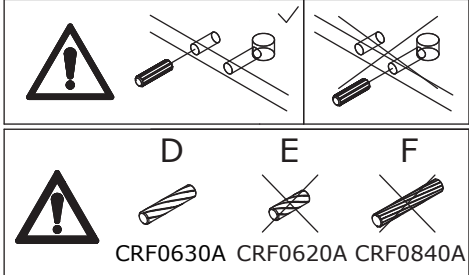
31



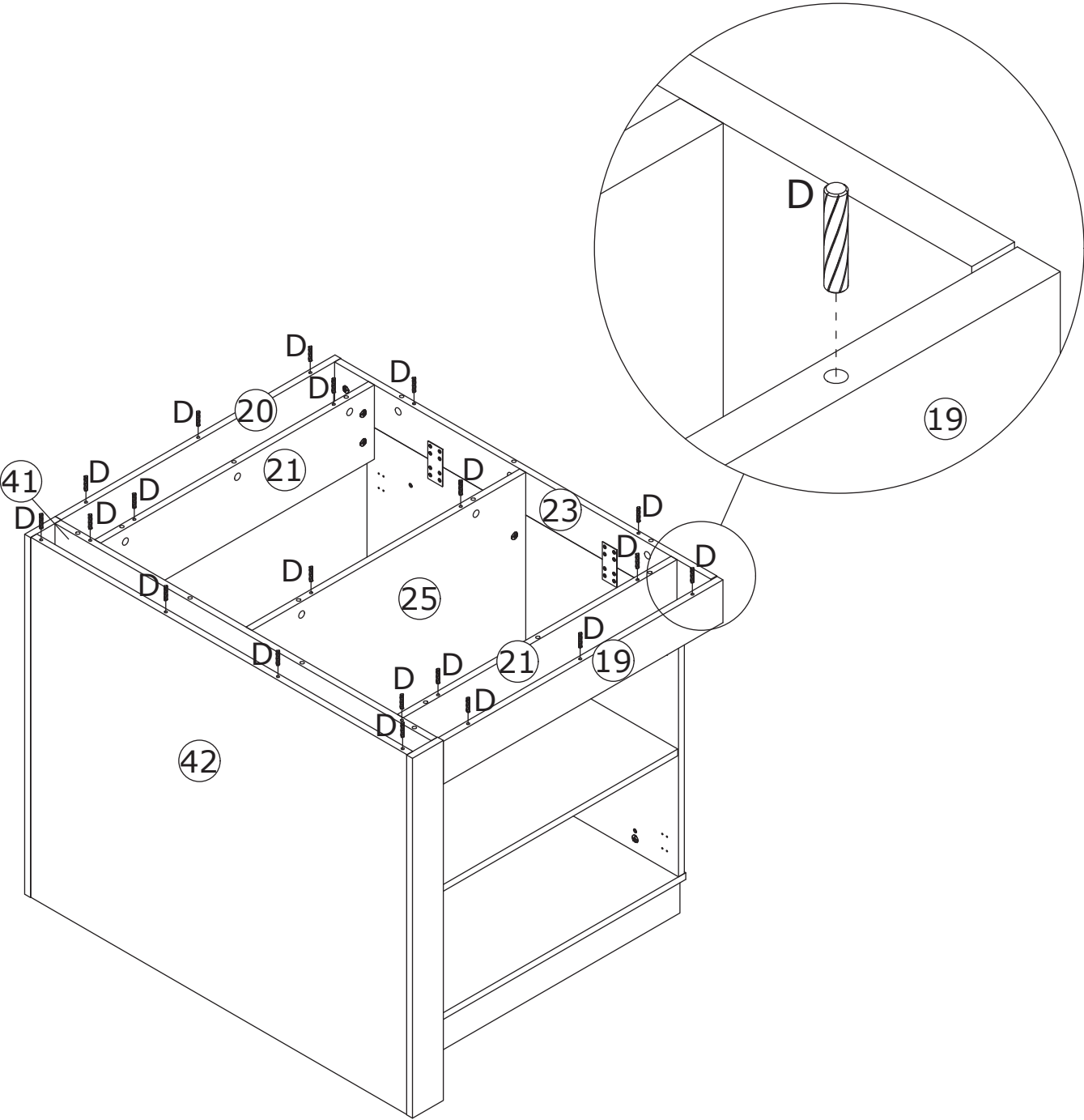
As shown in the figure, first install component (C) onto panel 18, then screw the self-tapping rod (B) into panel 18.



32



As shown in the figure, install the wooden dowel (D) into panels 19, 20, 21, 23, 25, 41, and 42.

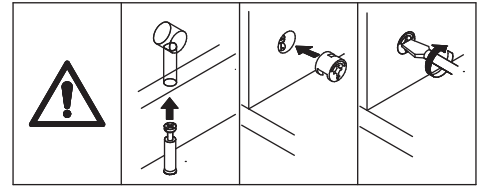
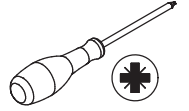


33

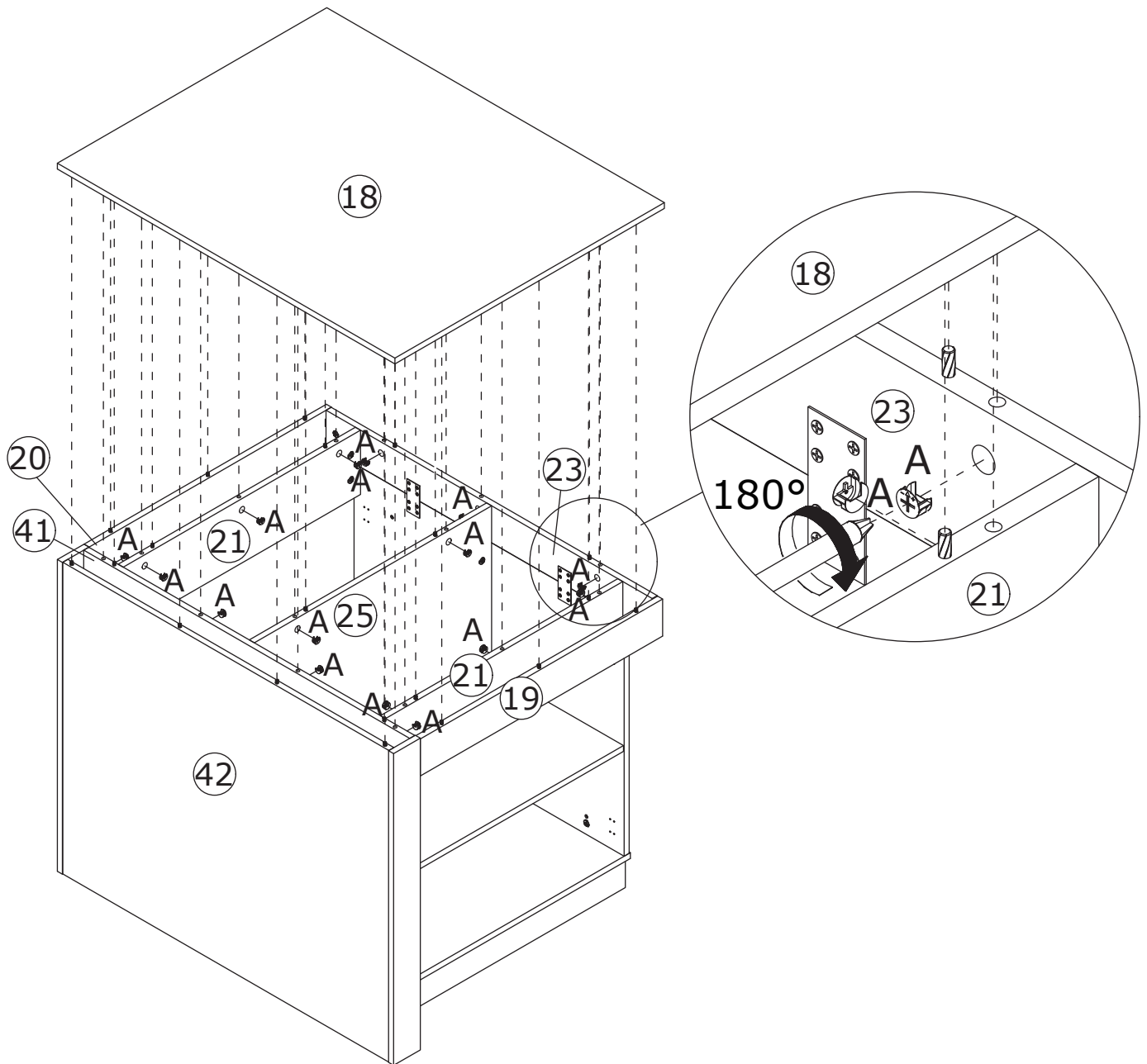
A x 15



CRB1595A


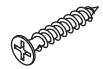
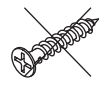





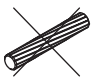
As shown in the figure, connect panel 18 to the mounting unit and insert the eccentric wheel (A) and tighten it by turning clockwise.

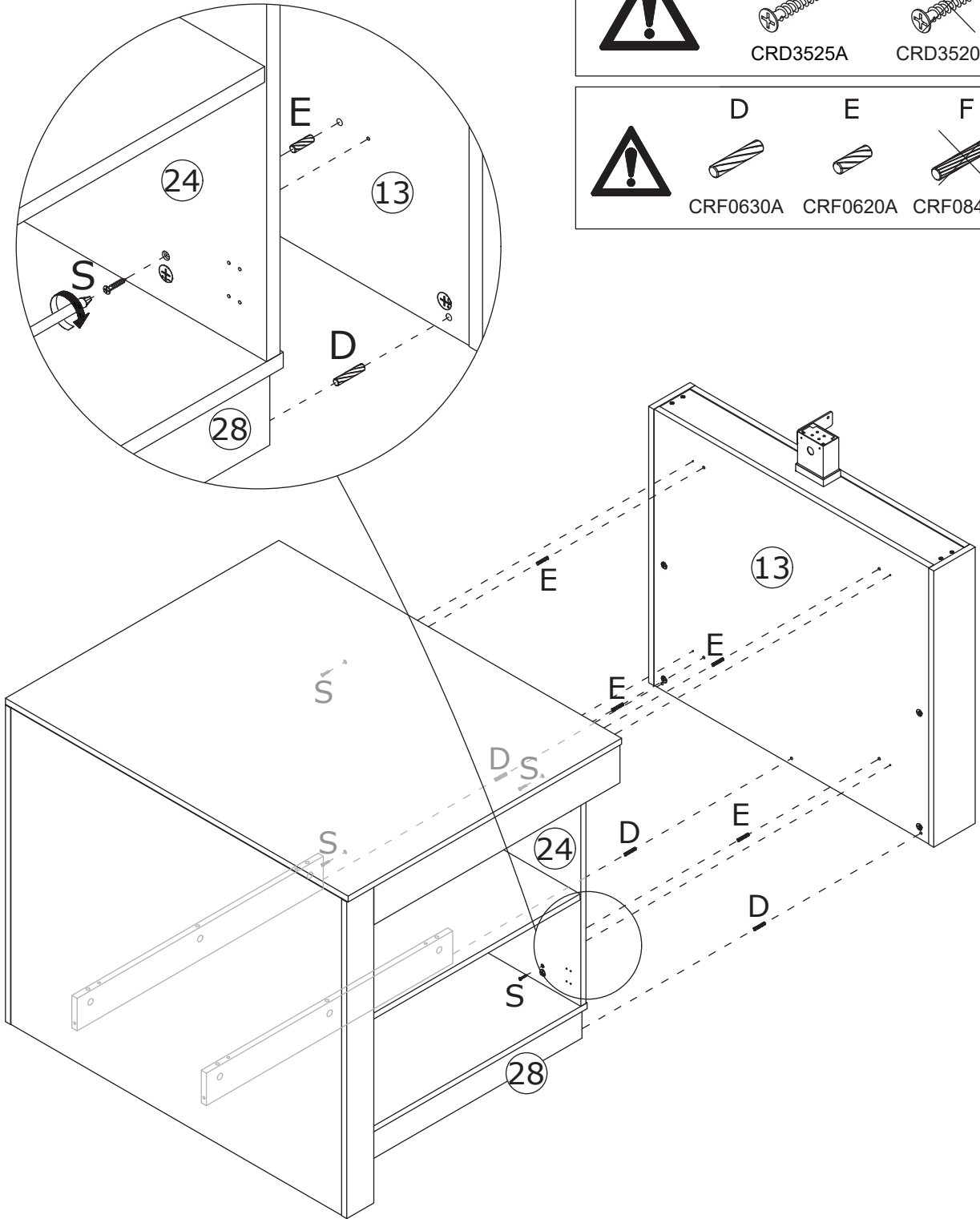


34

D x 3  CRF0630A	E x 4  CRF0620A	S x 4  CRD3525A
--	--	--

	S  CRD3525A	T  CRD3520A
--	--	--

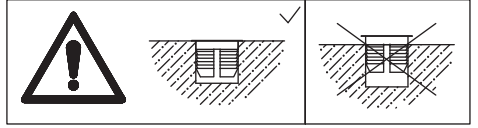
	D  CRF0630A	E  CRF0620A	F  CRF0840A
--	--	--	--



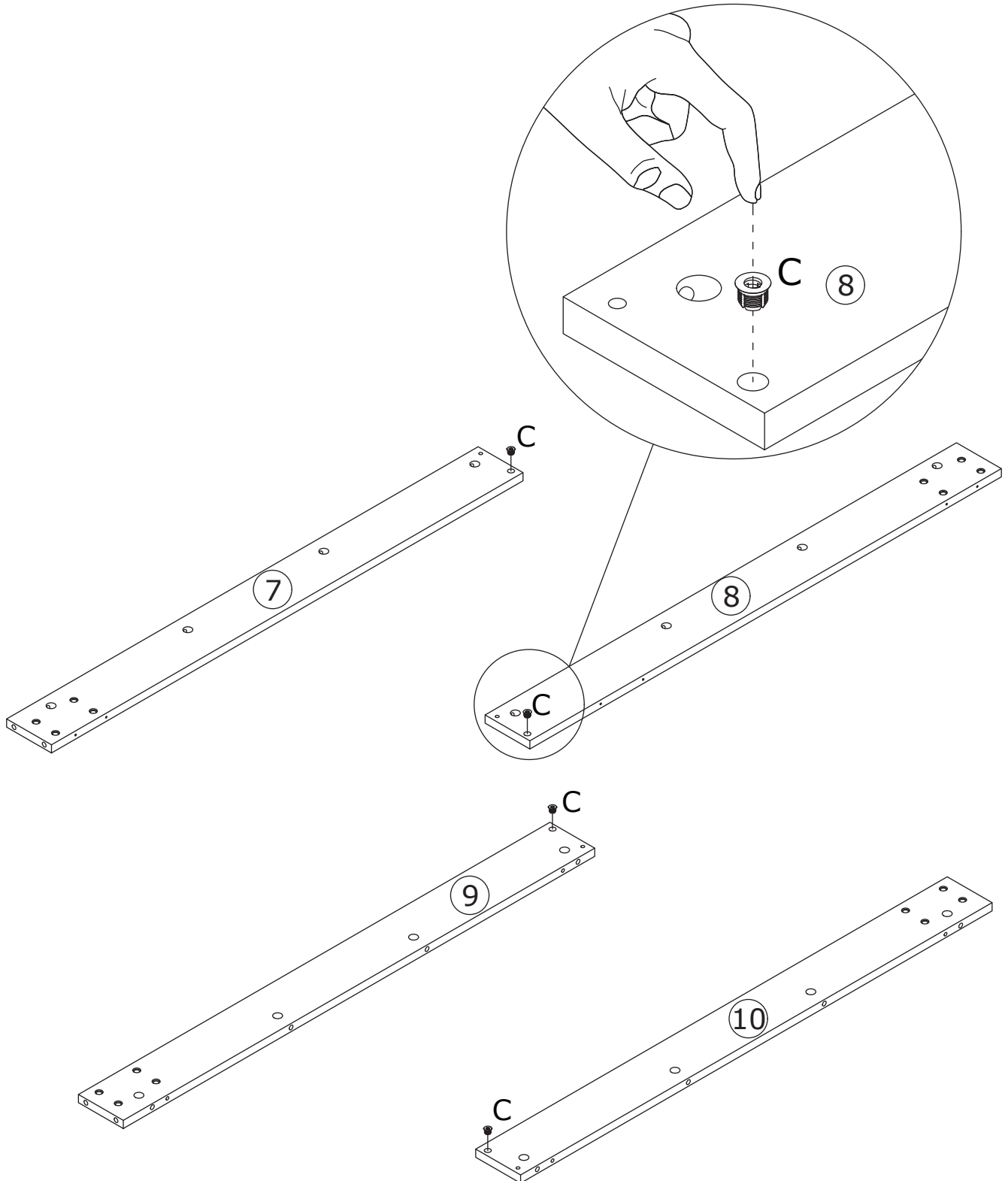
As shown in the figure, connect panel 13 to panel 24 using dowels (D) and dowels (E), and secure them with screws (S).

35

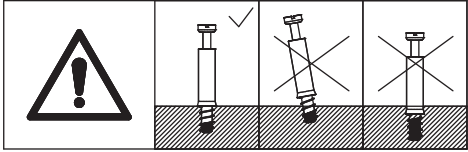
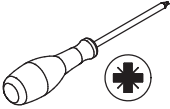
C x 4



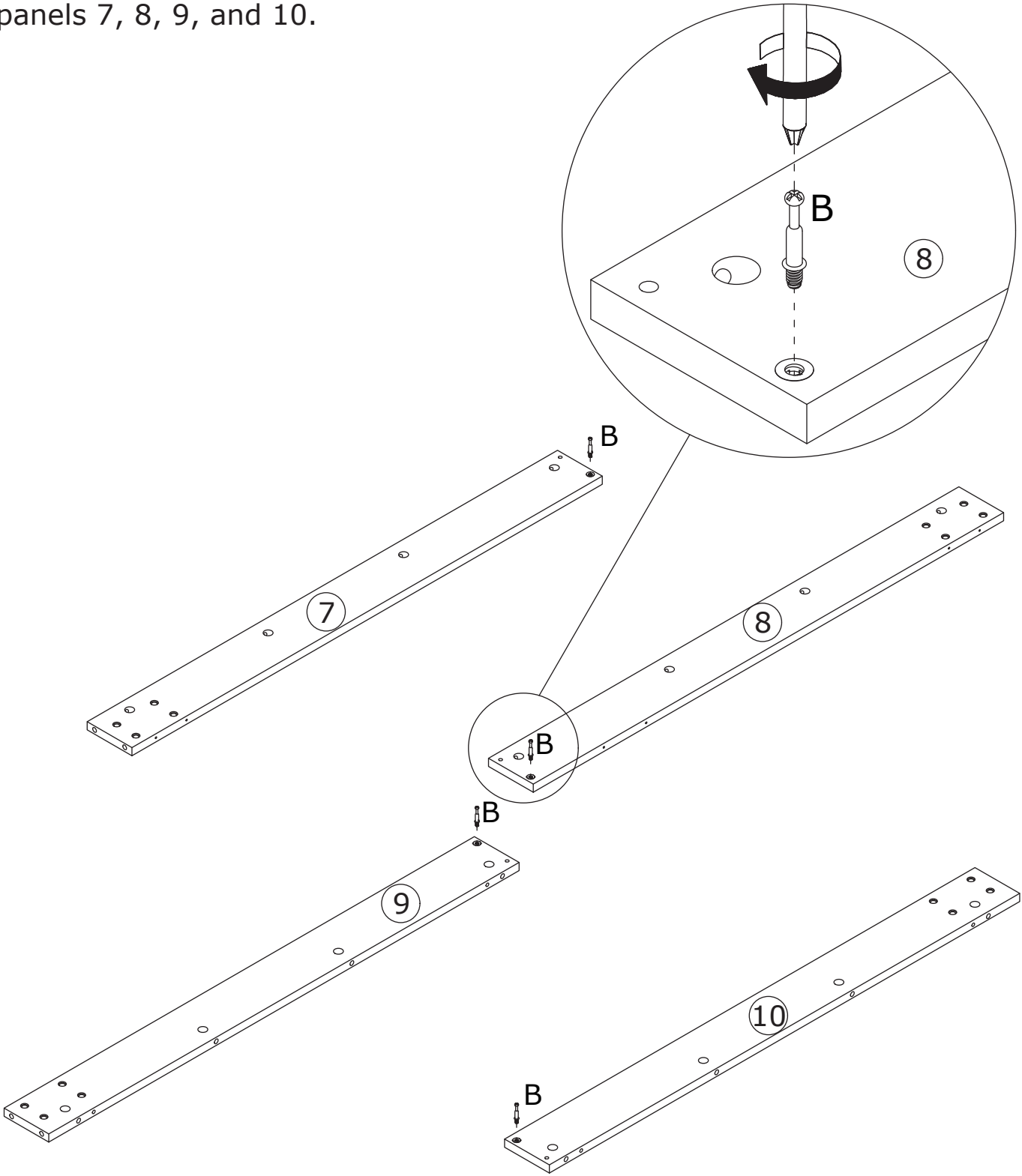
As shown in the figure, install component (C) onto panels 7, 8, 9, and 10.



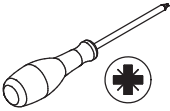
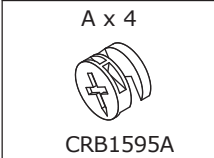
36



As shown in the figure, screw the self-tapping rod (B) into panels 7, 8, 9, and 10.

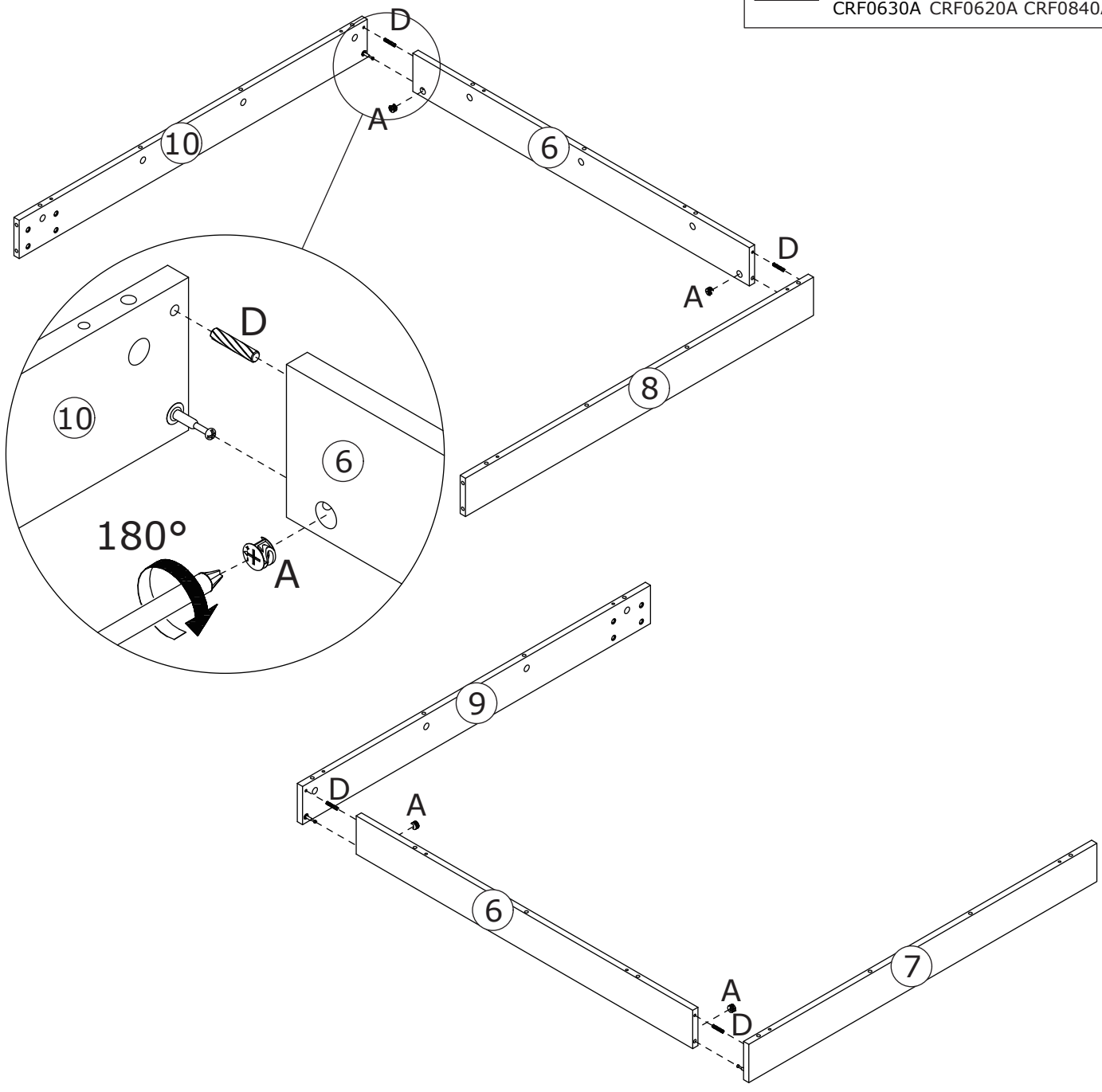
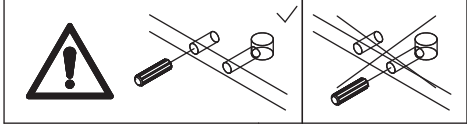
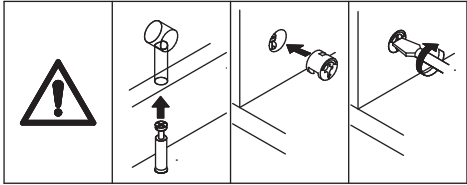


37



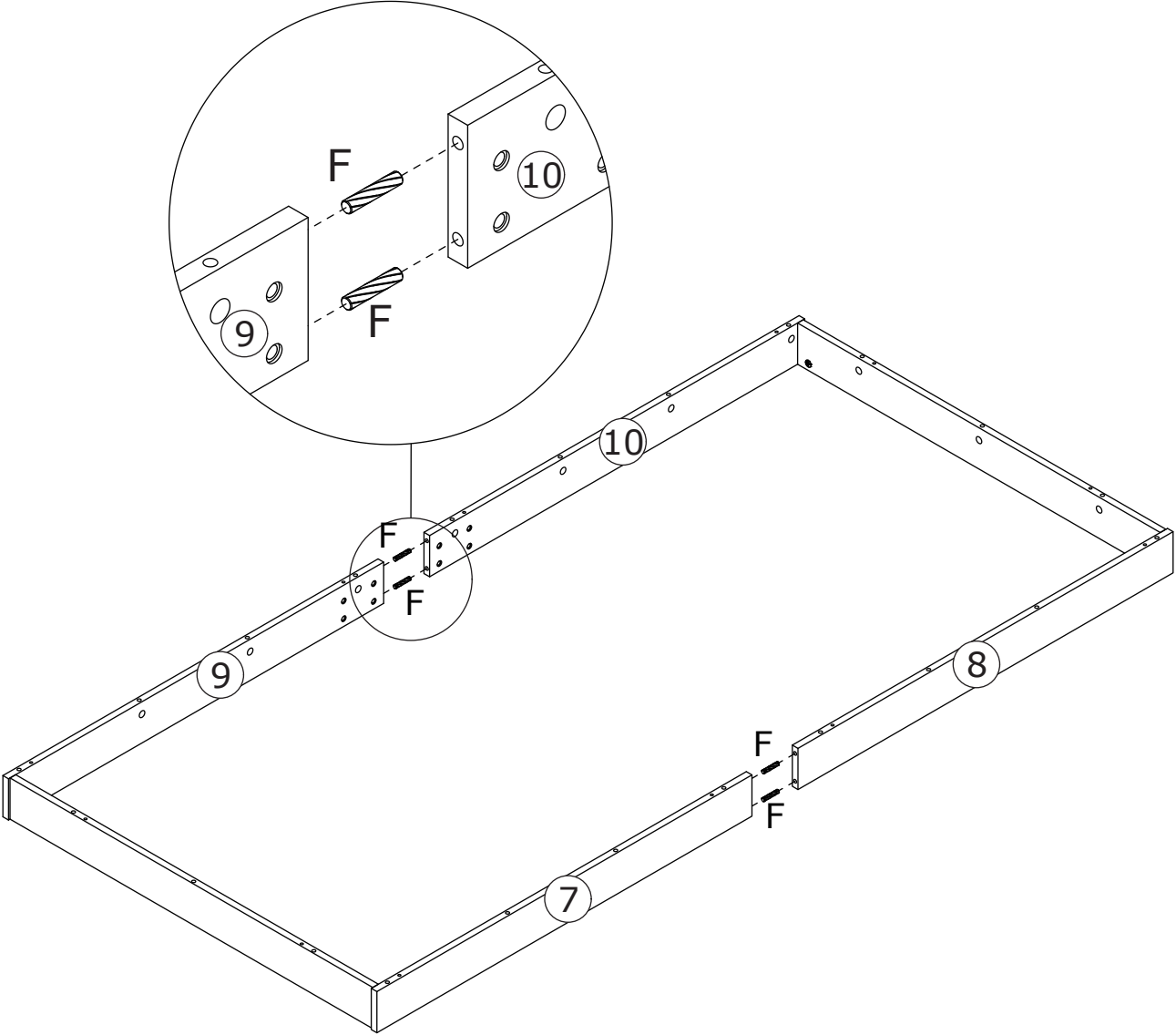
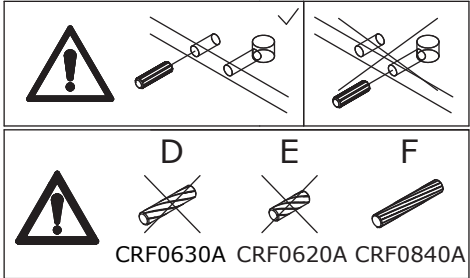
As shown in the figure, connect panel 7 and panel 9 to panel 6 using wooden dowels (D), and tighten by rotating clockwise with the eccentric wheel (A).

As shown in the figure, connect panel 8 and panel 10 to panel 6 using wooden dowels (D), and tighten by rotating clockwise with the eccentric wheel (A).



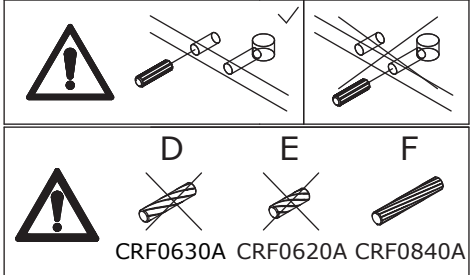
38

F x 4
CRF0840A

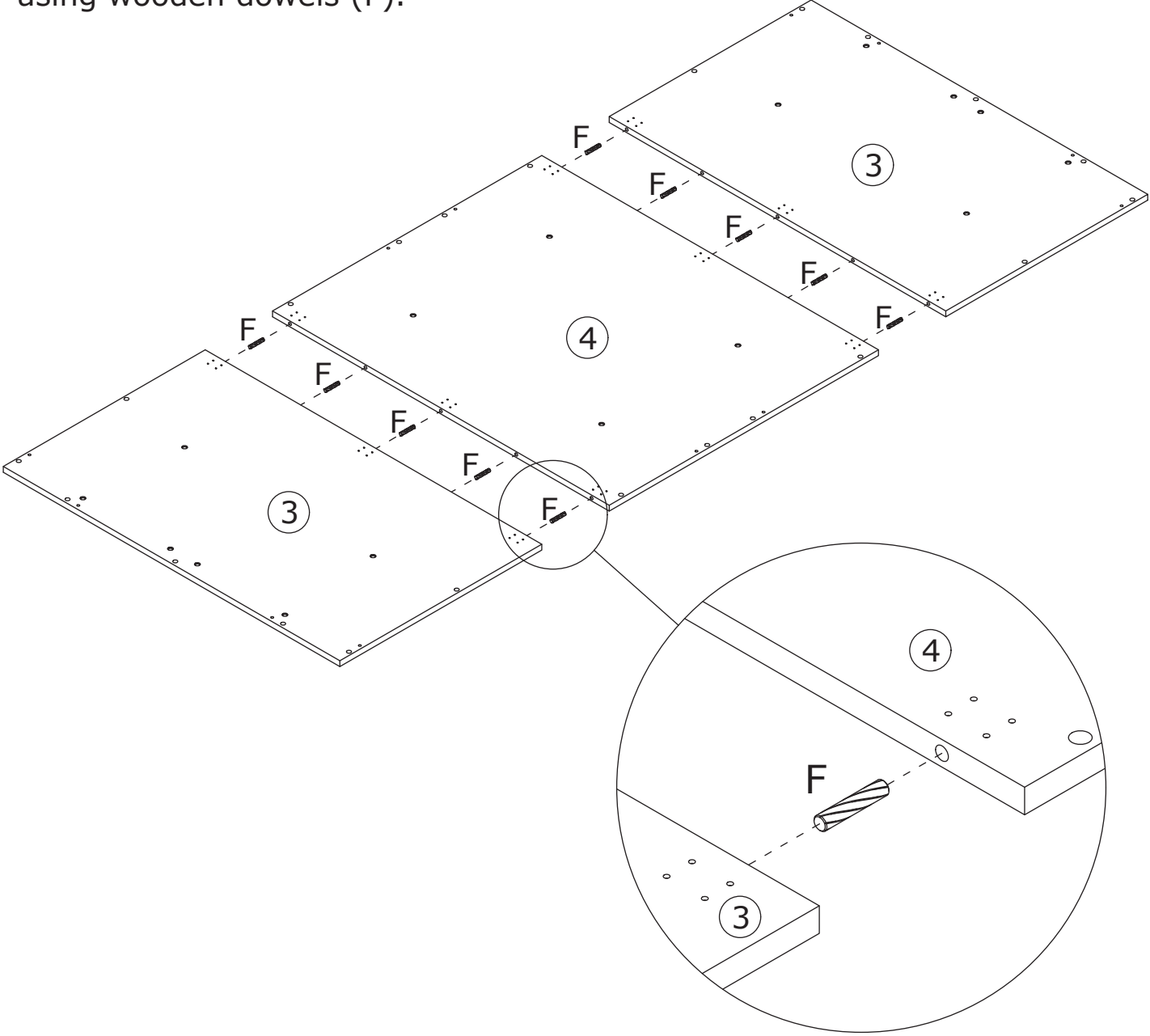


As shown in the figure, use wooden dowels (F) to connect panel 7 and panel 9 to panel 8 and panel 10.

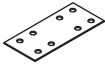

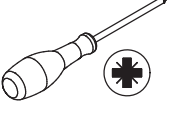
39



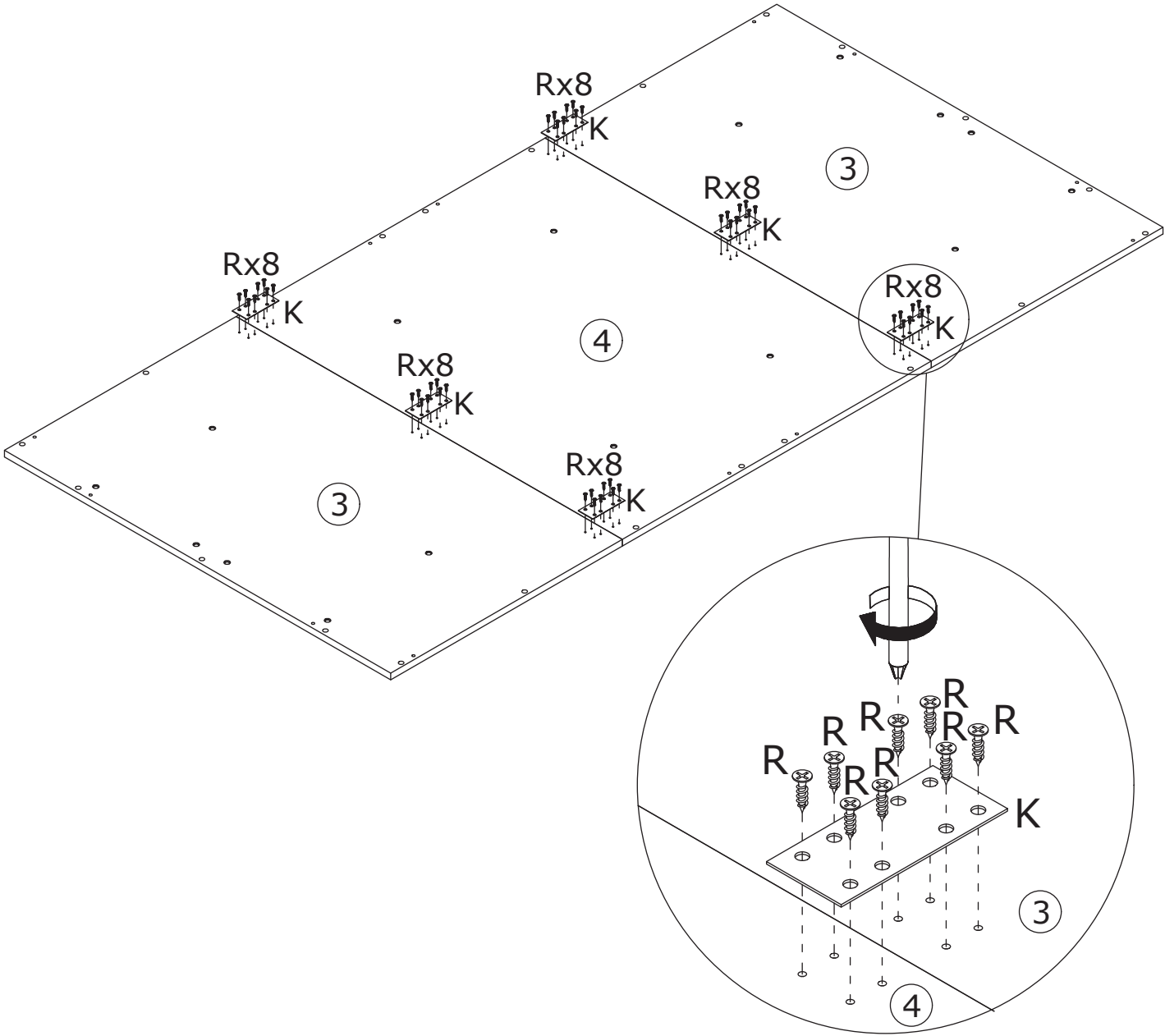
As shown in the figure, connect panel 3 to panel 4 using wooden dowels (F).



40

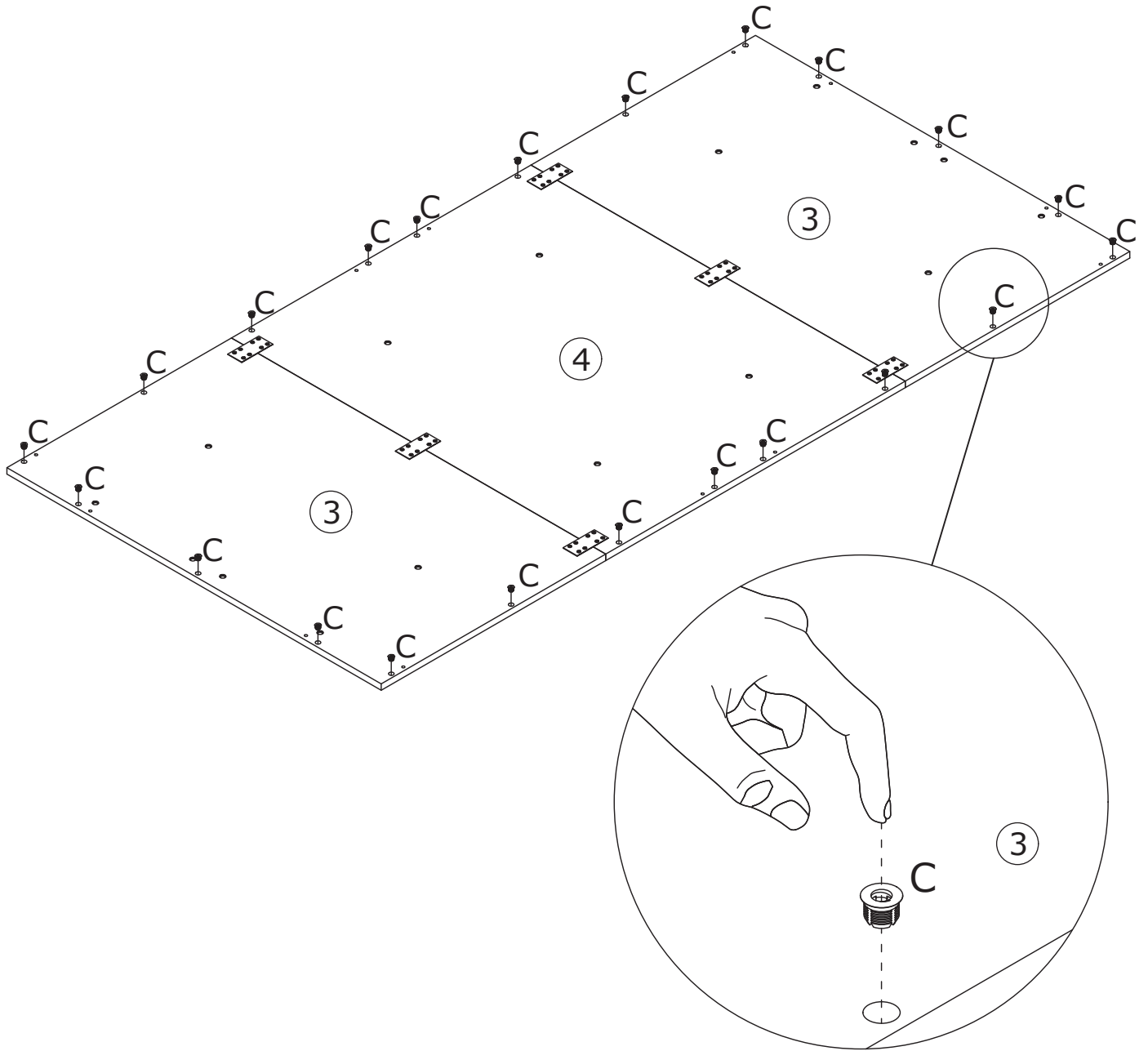
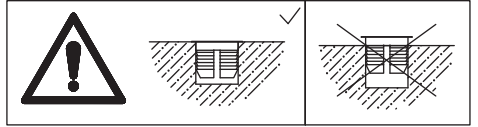
<p>K x 6</p> 	<p>R x 48</p>  <p>CRD3514A</p>	
--	---	---

As shown in the figure, use screws (R) to secure component (K) to panels 3 and 4.



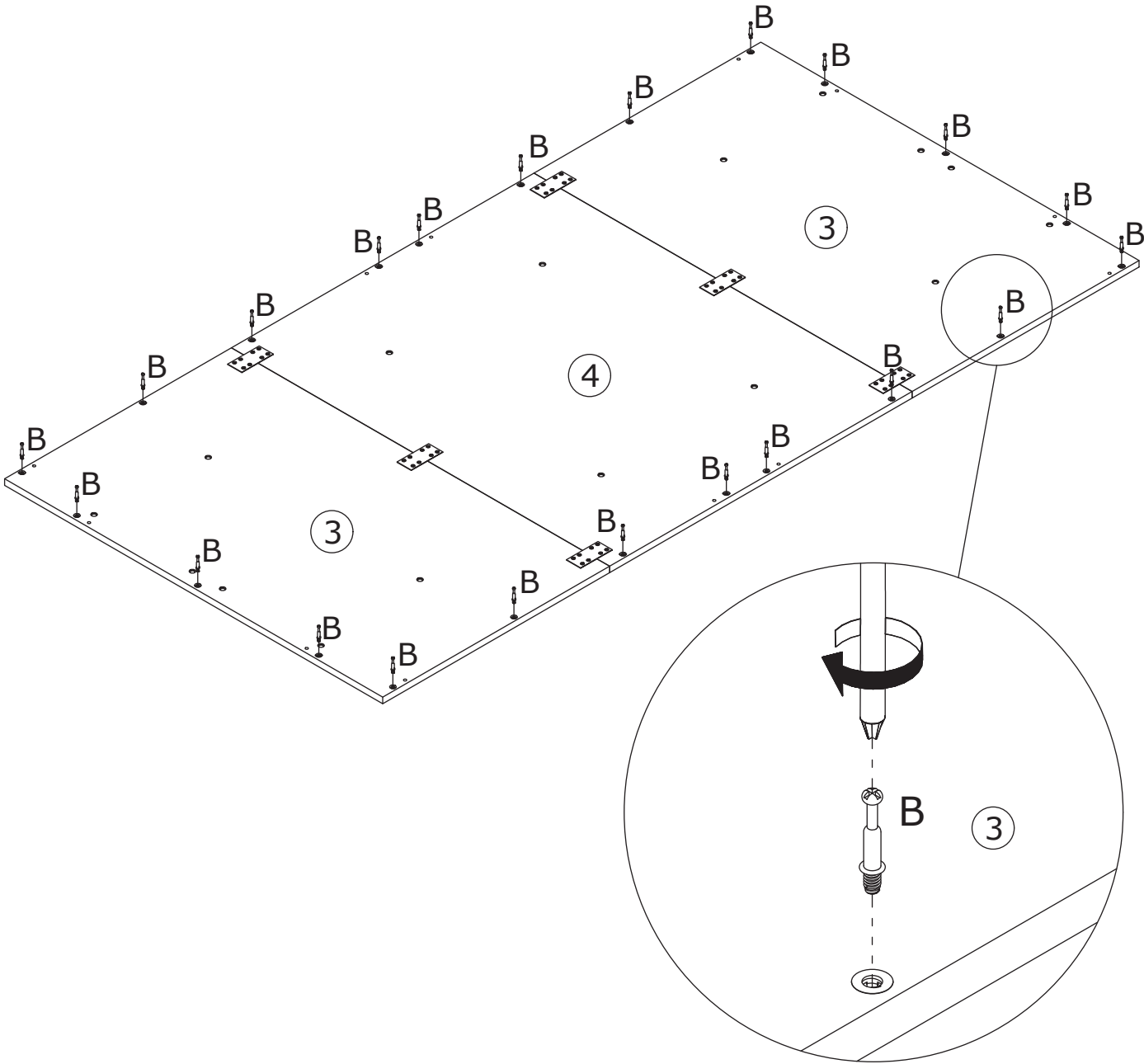
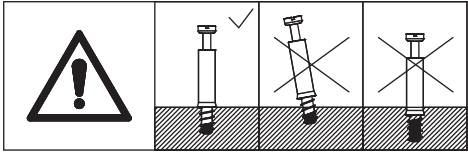
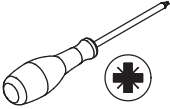
41

C x 22



As shown in the figure, install component (C) onto panels 3 and 4.

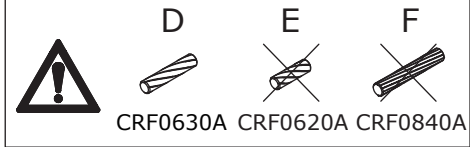
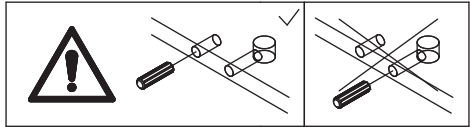
42



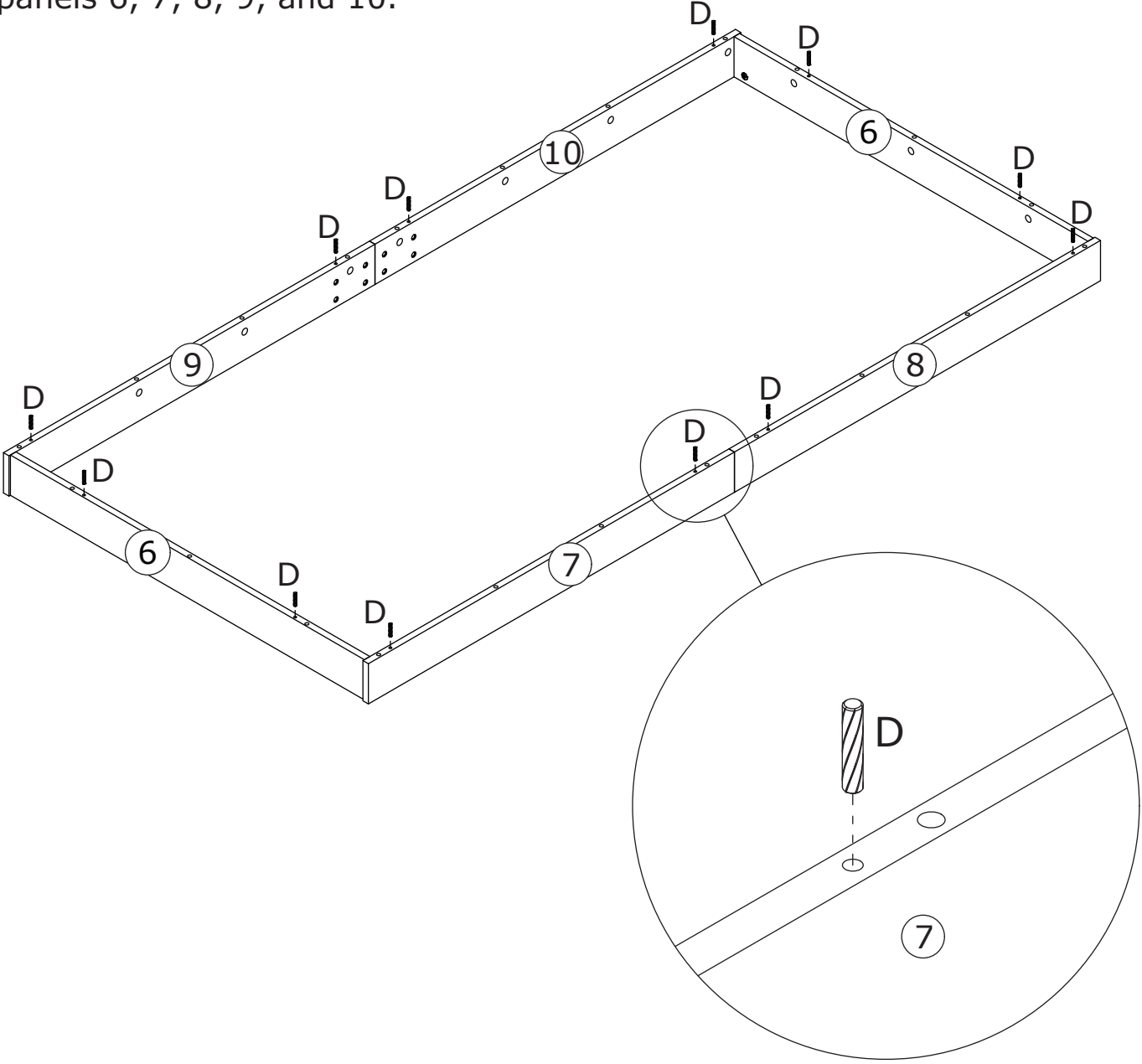
As shown in the figure, screw the self-tapping rod (B) into panels 3 and 4.

43

D x 12
CRF0630A



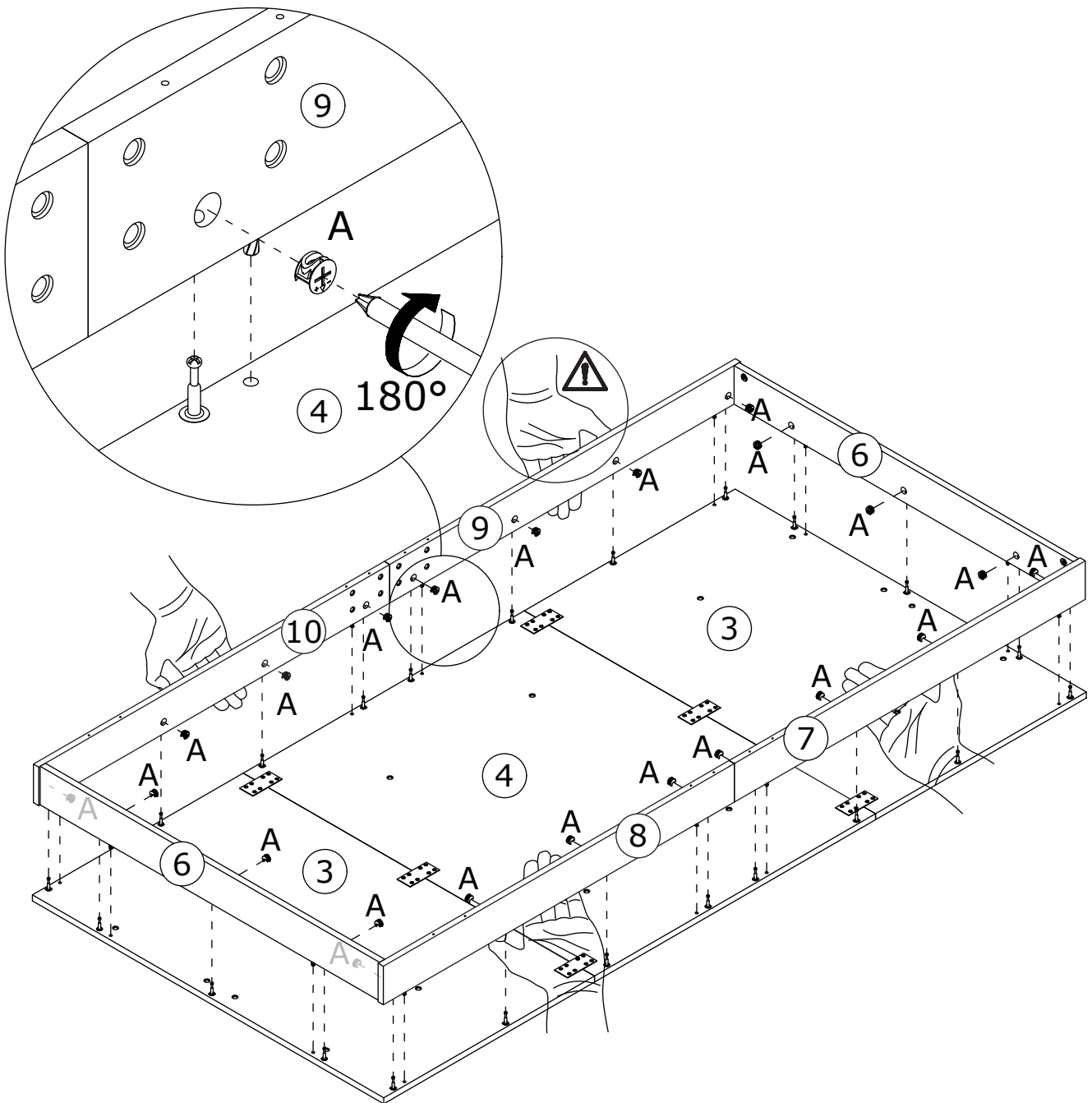
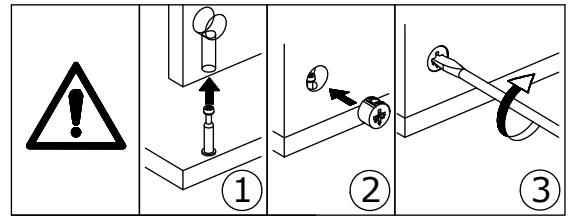
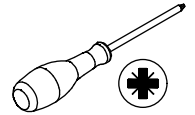
As shown in the figure, install the wooden dowels (D) into panels 6, 7, 8, 9, and 10.



44

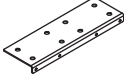


A x 22




CRB1595A

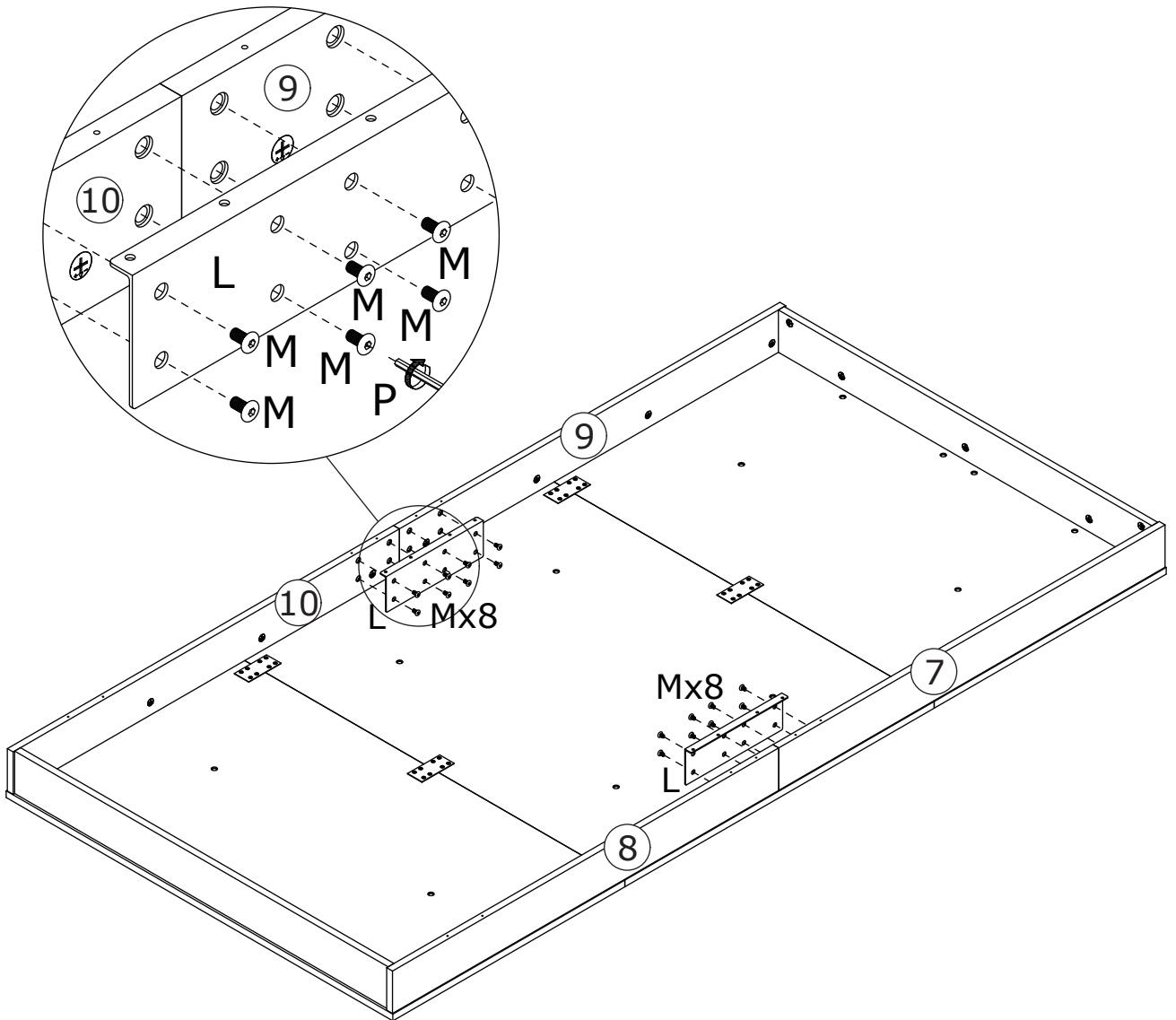


As shown in the figure, connect panels 6, 7, 8, 9, and 10 to panels 3 and 4, then add the eccentric wheel (A) and tighten it by turning clockwise.

45

<p>L x 2</p> 	<p>M x 16</p>  <p>CRG0612A</p>	<p>P x 1</p> 	
--	---	--	--

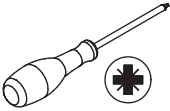
	<p>M</p>  <p>CRG0612A</p>	<p>AA</p>  <p>CRG0612A</p>
--	--	---



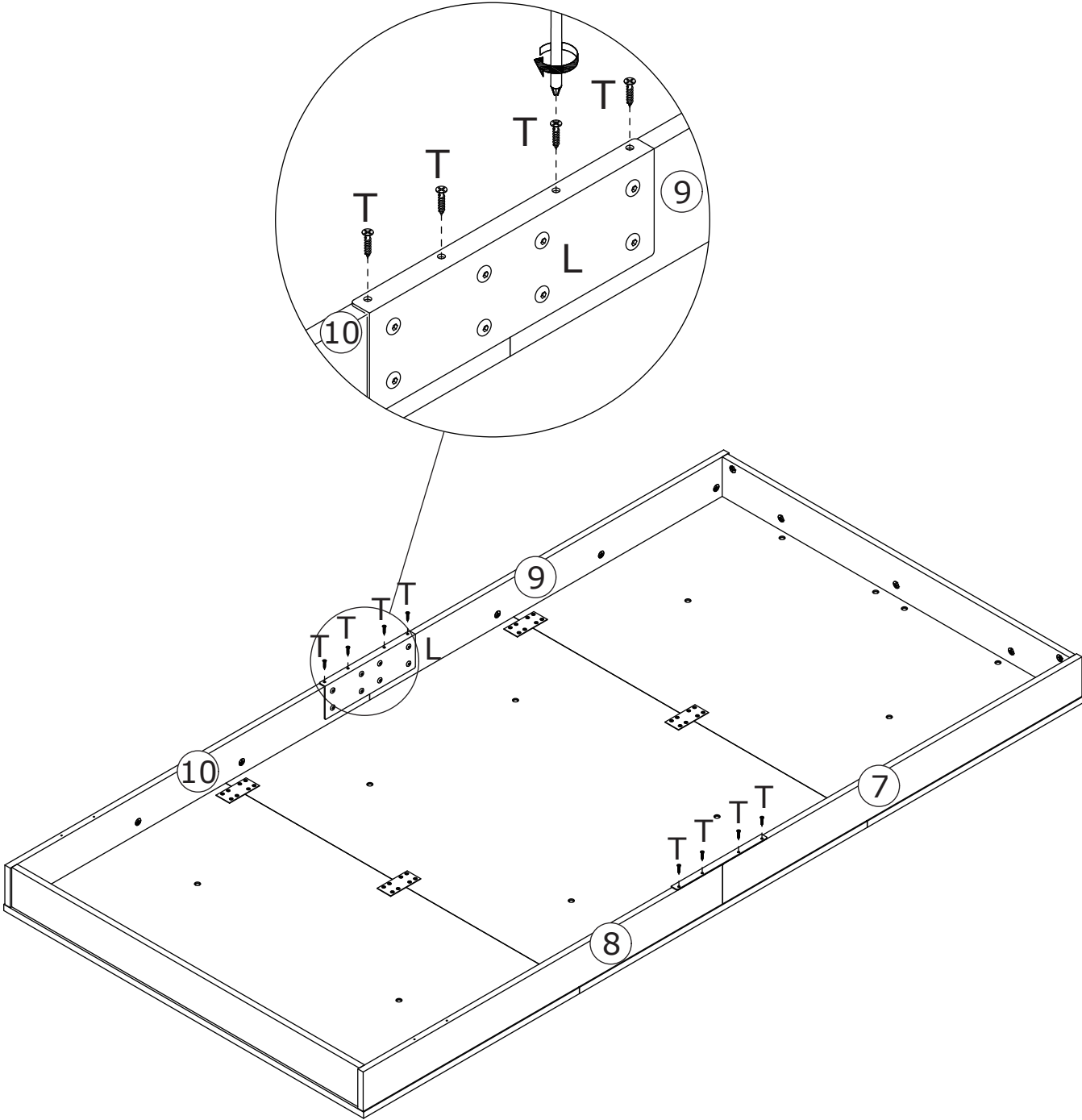
As shown in the figure, install component (L) onto panels 7, 8, 9, and 10 using screws (M).

46

T x 8
CRD3520A

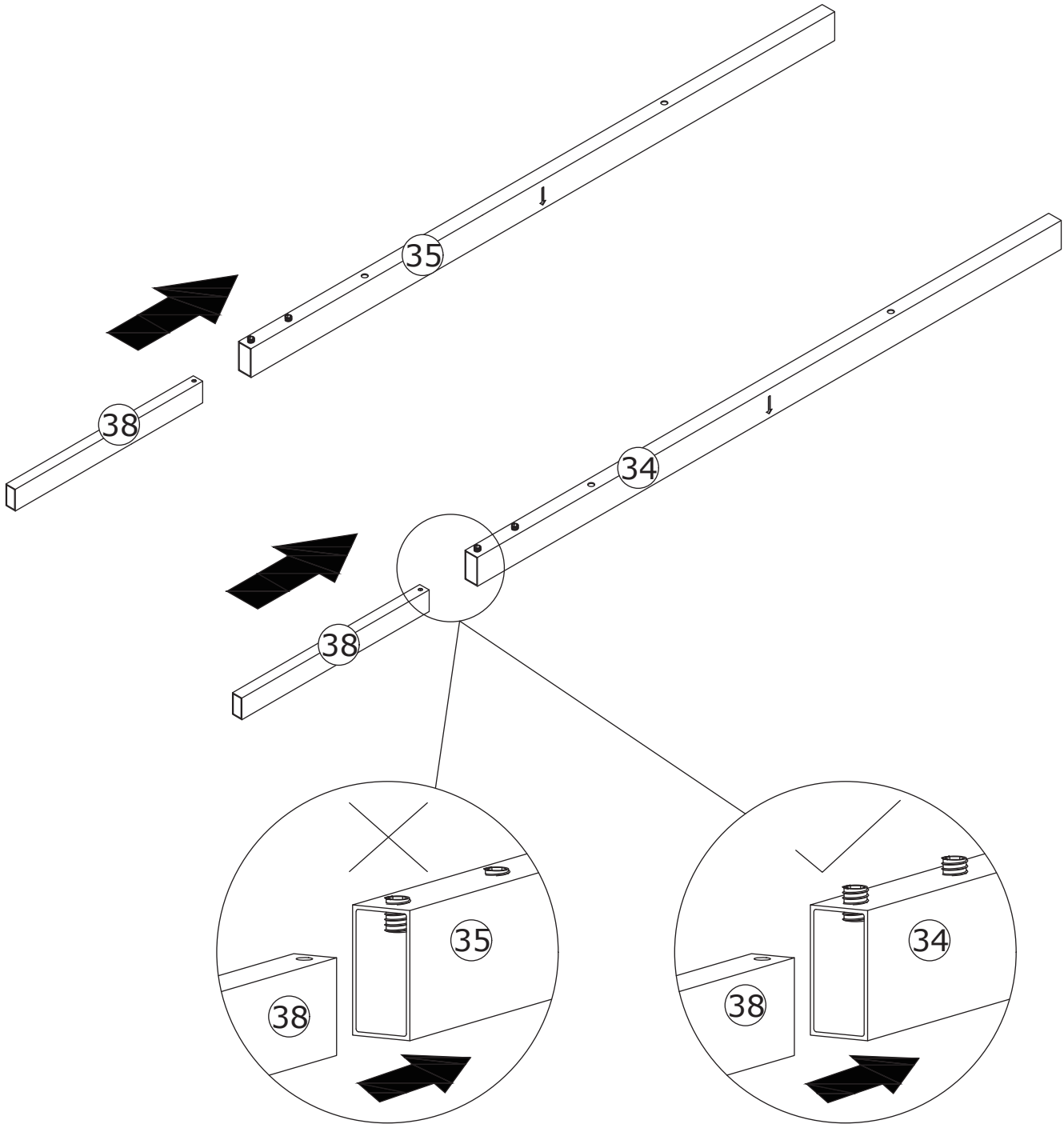


As shown in the figure, use screws (T) to secure component (L) to panels 7, 8, 9, and 10.



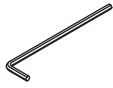
47

As shown in the figure, install component (38) onto components (34) and (35).



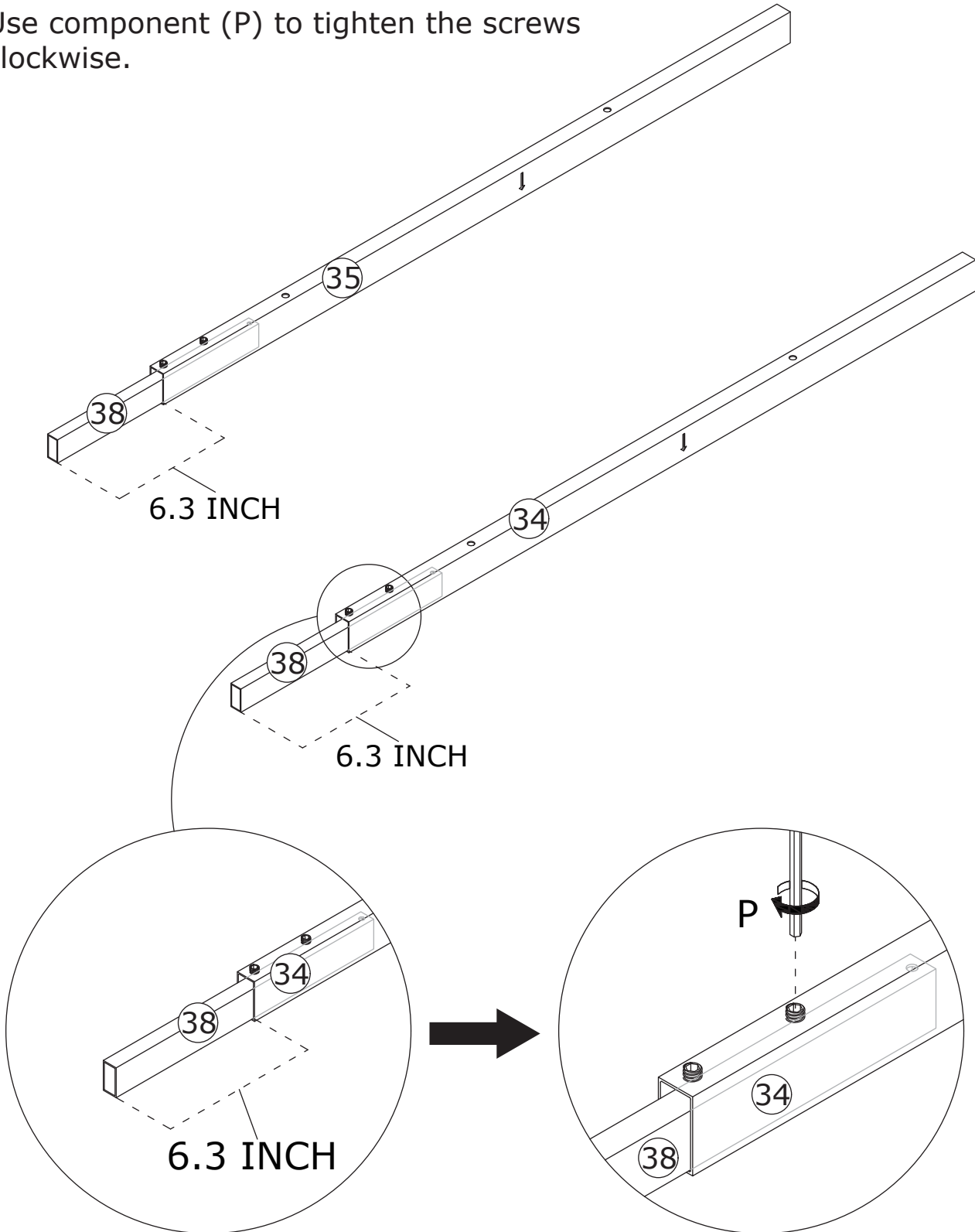
48

P x 1



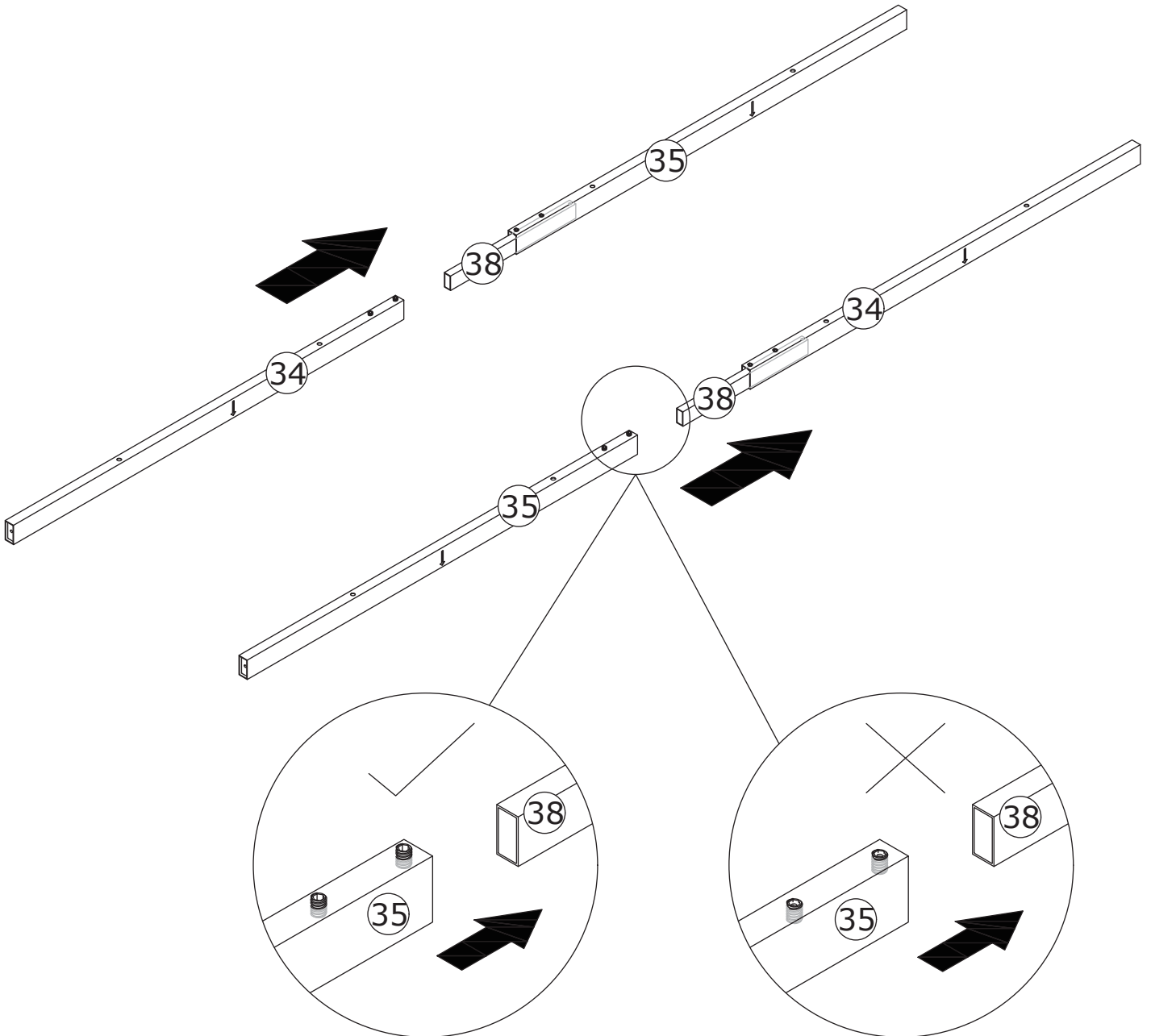
As shown in the figure, install component (38) onto components (34) and (35), ensuring component (38) maintains an external dimension of 6.3 inches.

Use component (P) to tighten the screws clockwise.

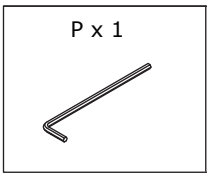


49

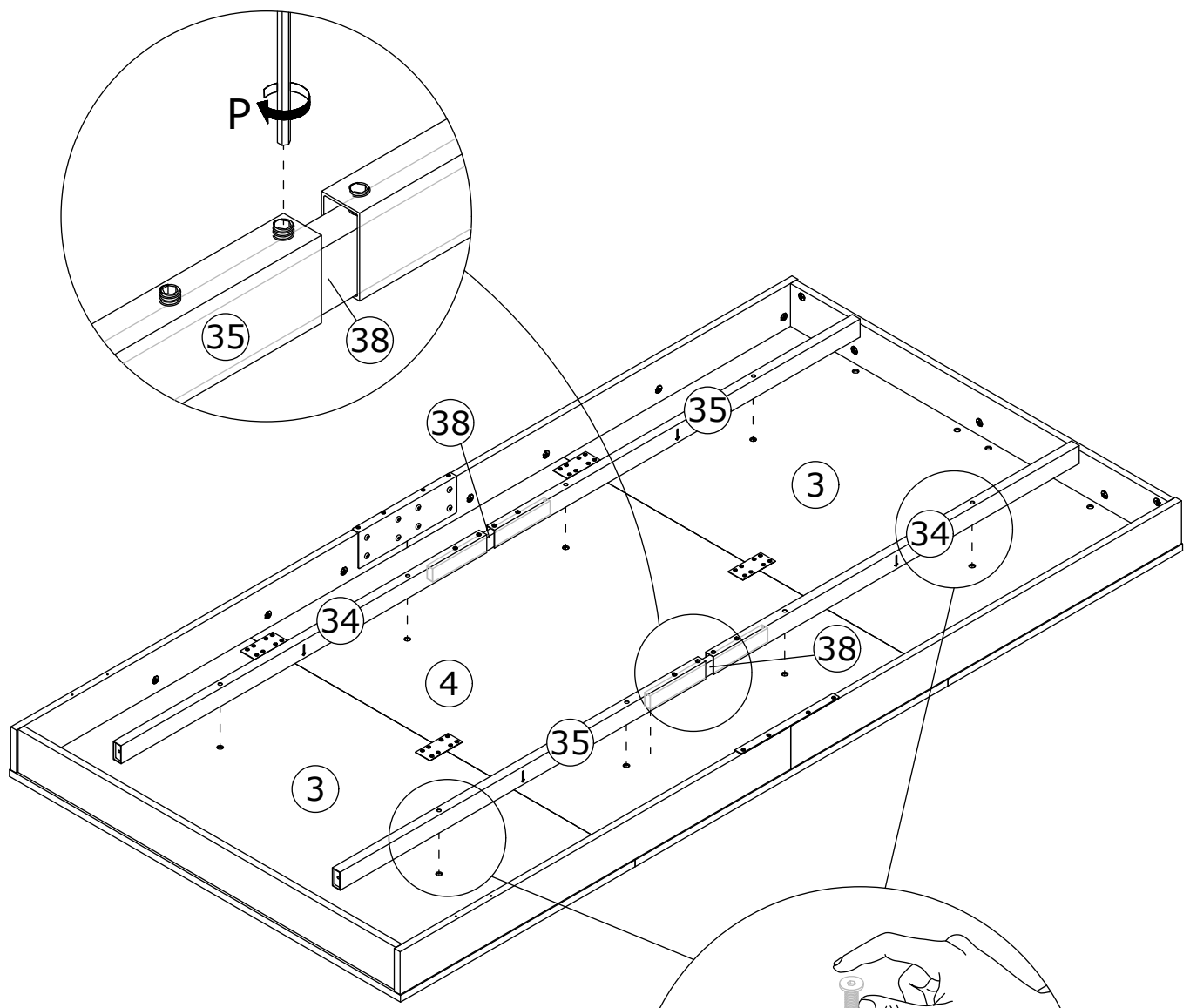
As shown in the figure, install components (34) and (35) onto component (38).



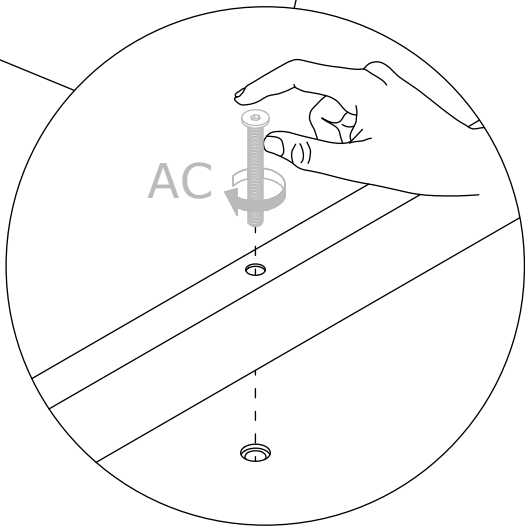
50



As shown in the figure, first align the holes of component (34) and component (35) with those of panel 3 and panel 4, then use component (P) to secure components (34), (35), and (38).

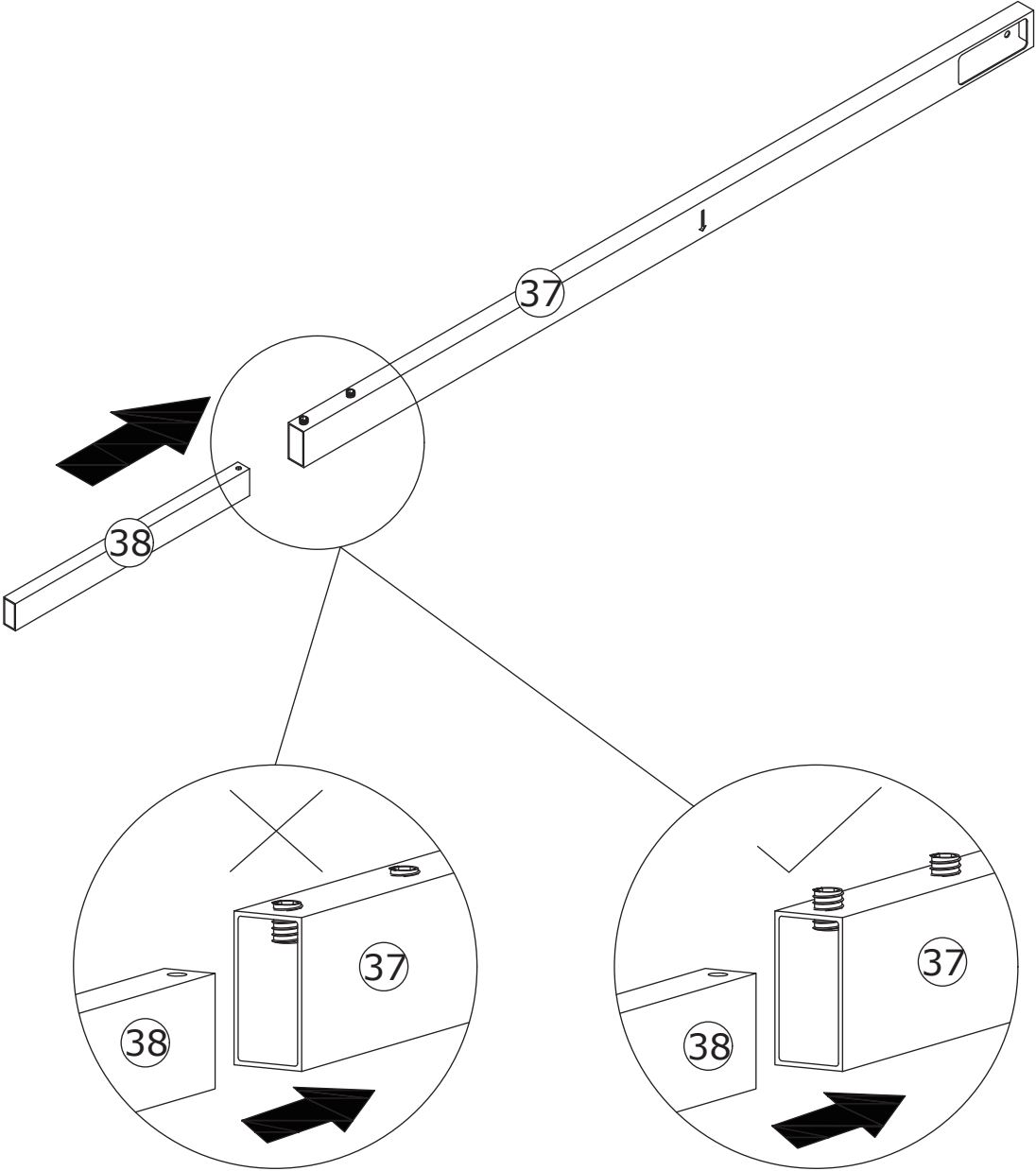


As shown in the figure, use screws to verify that the holes in components (34) and (35) align with the holes in panels 3 and 4. Once alignment is confirmed, remove the screws.

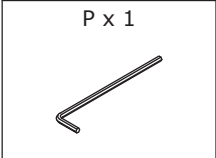


51

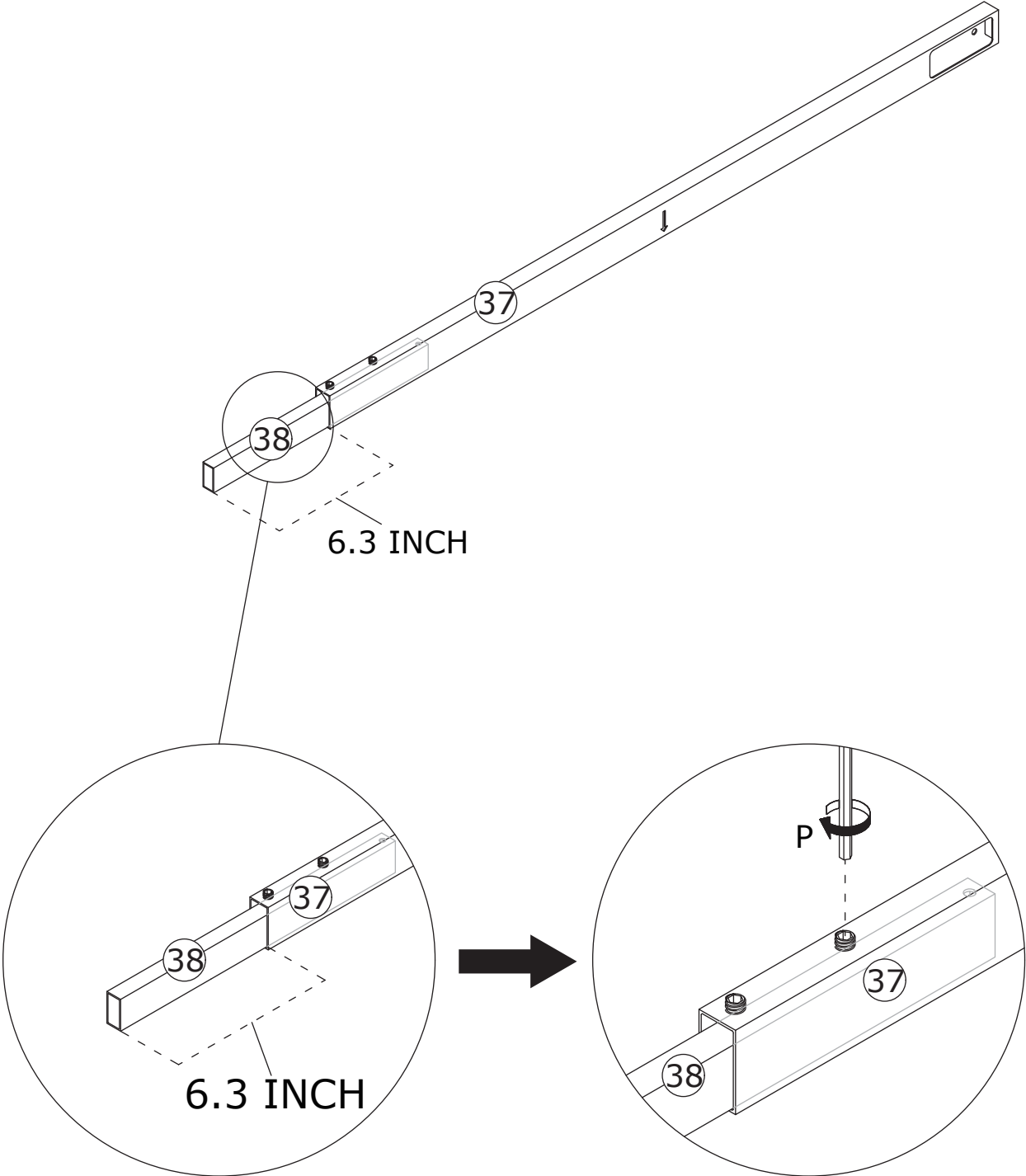
As shown in the figure, install part (38) onto part (37).



52



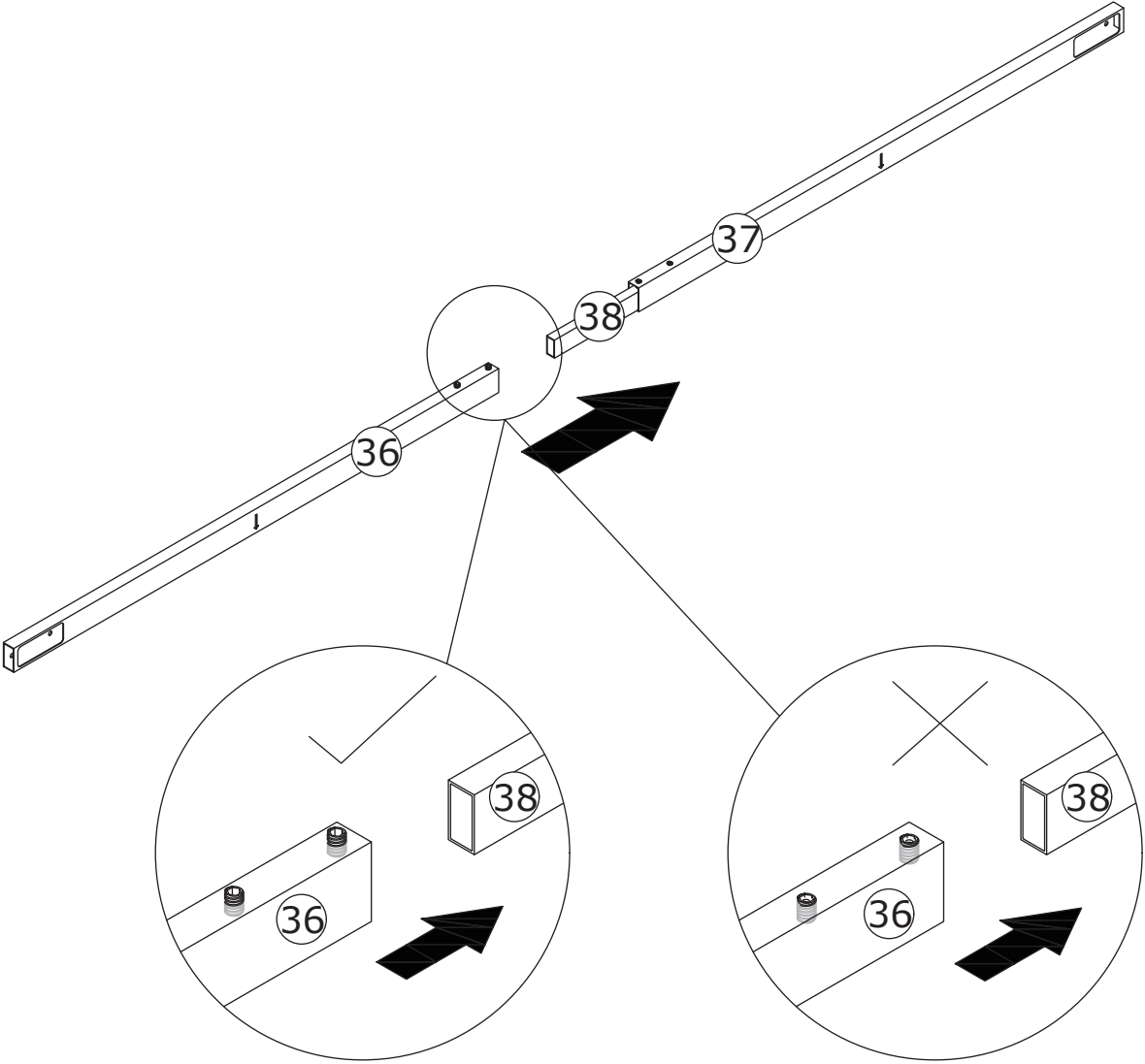
As shown in the figure, install component (38) onto component (37), ensuring component (38) maintains an external dimension of 6.3 inches. Use component (P) to tighten the screw clockwise.



53

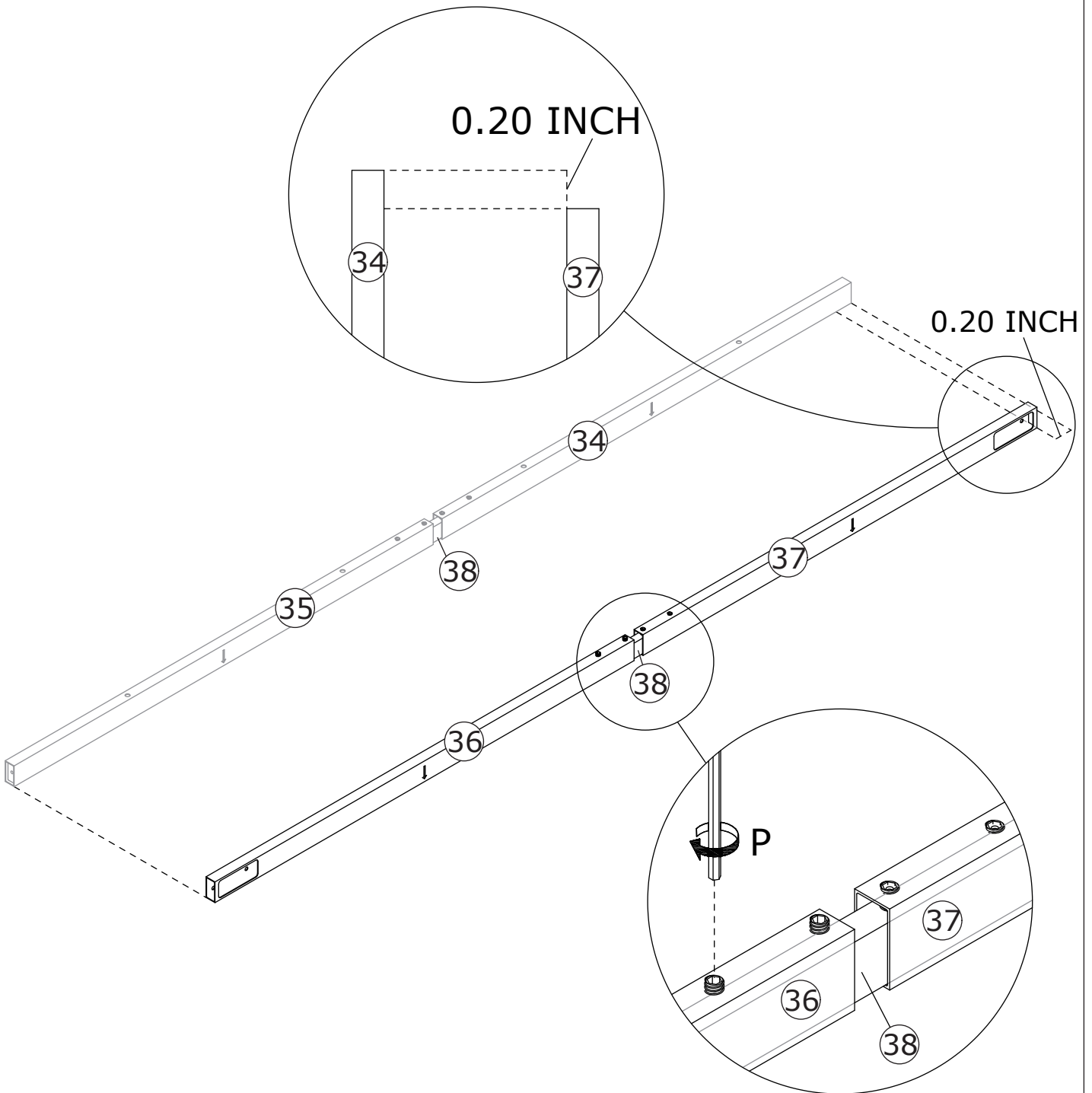
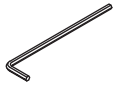


As shown in the figure, install component (36) onto component (38).



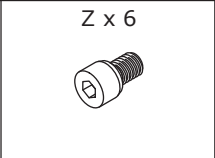
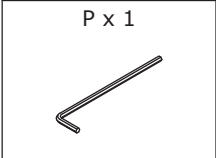
54

P x 1

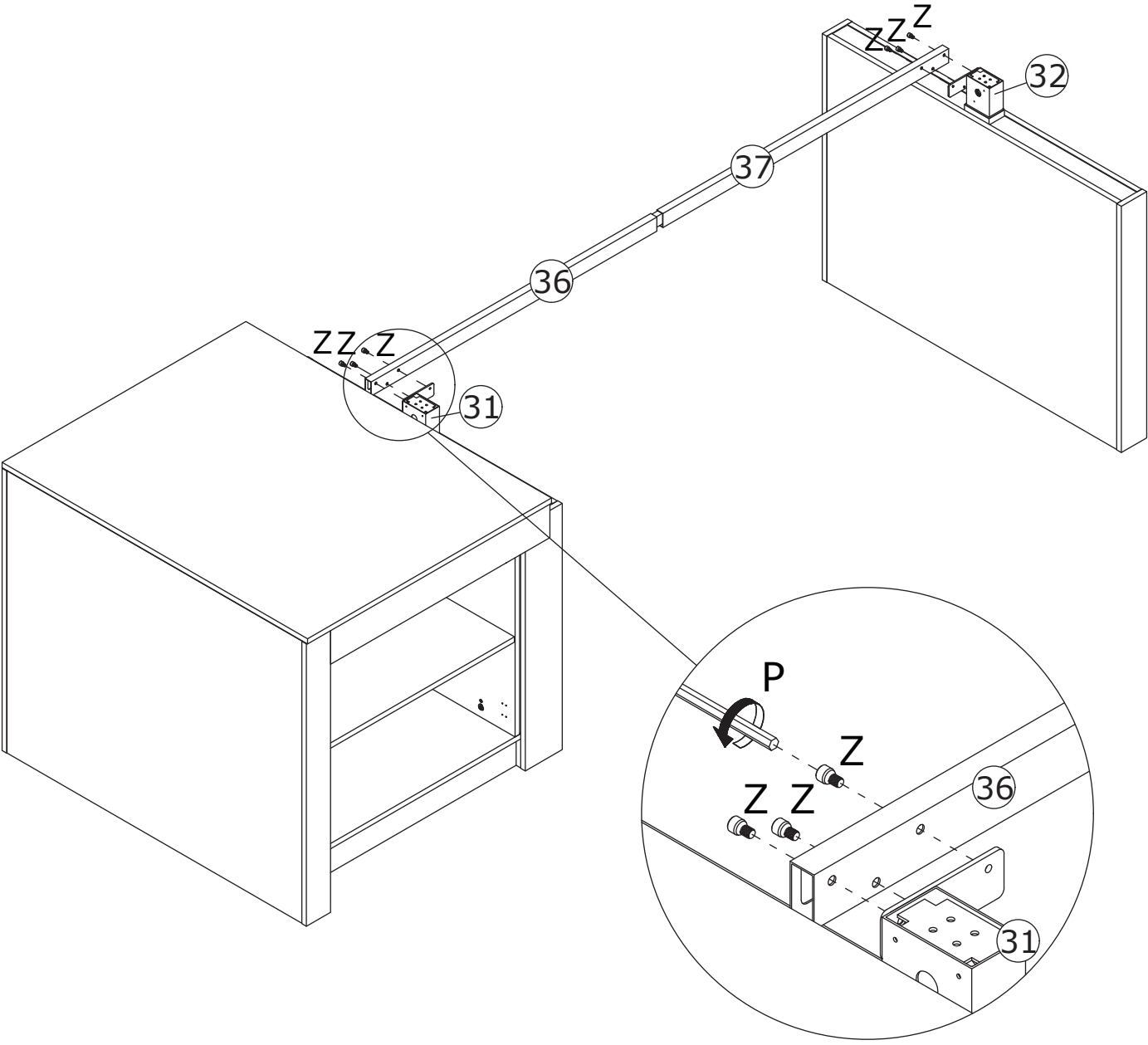


As shown in the figure, first confirm that the total length of Part (34), Part (35) and Part (38) is 0.20 inches longer than that of Part (36), Part (37) and Part (38). Then use Part (P) to fix Part (36), Part (37) and Part (38) in place.

55

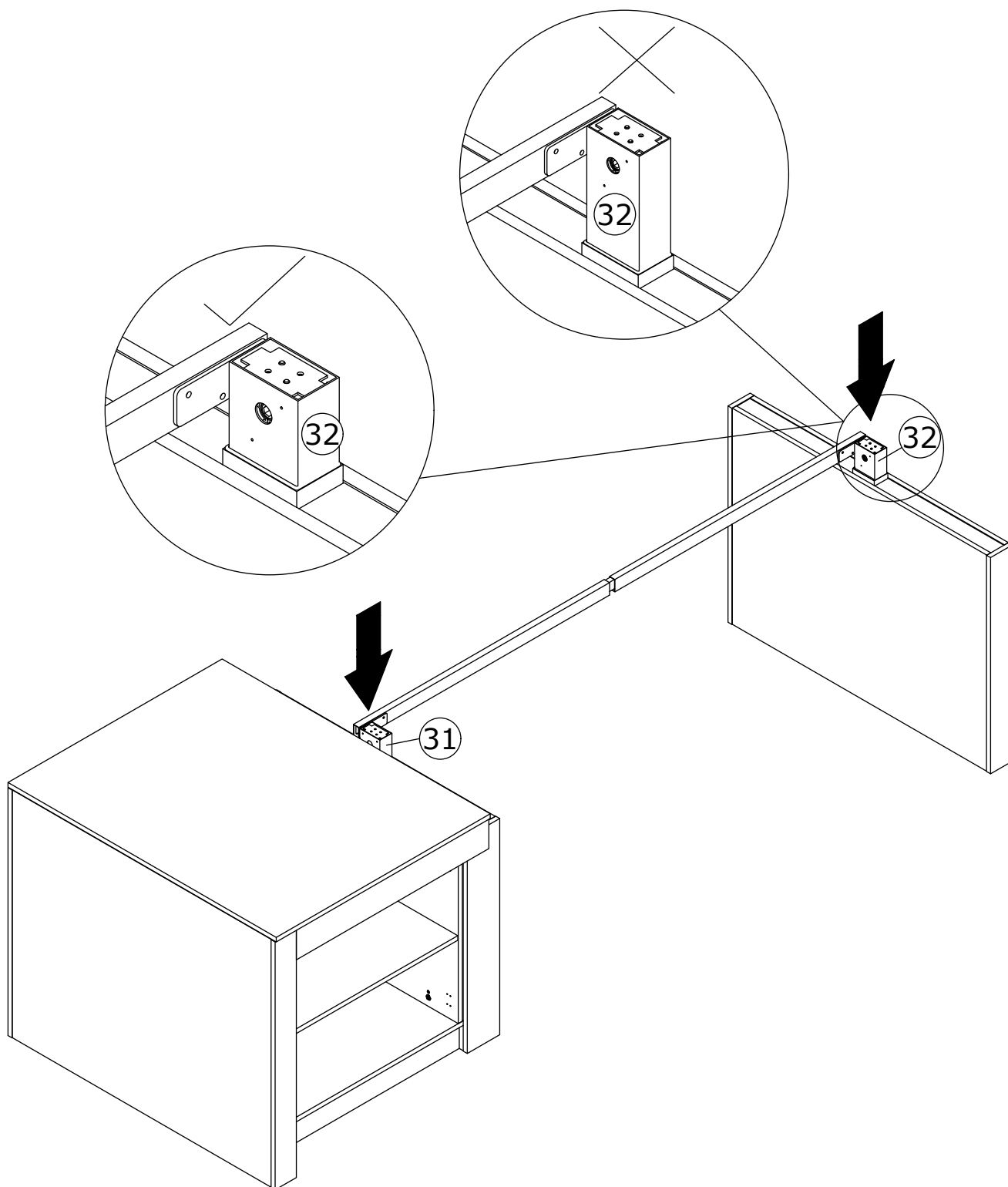


As shown in the figure, install part (36) onto part (31) using screw (Z), and tighten it by turning clockwise with part (P).
Install part (37) onto part (32) using screw (Z), and tighten it by turning clockwise with part (P).



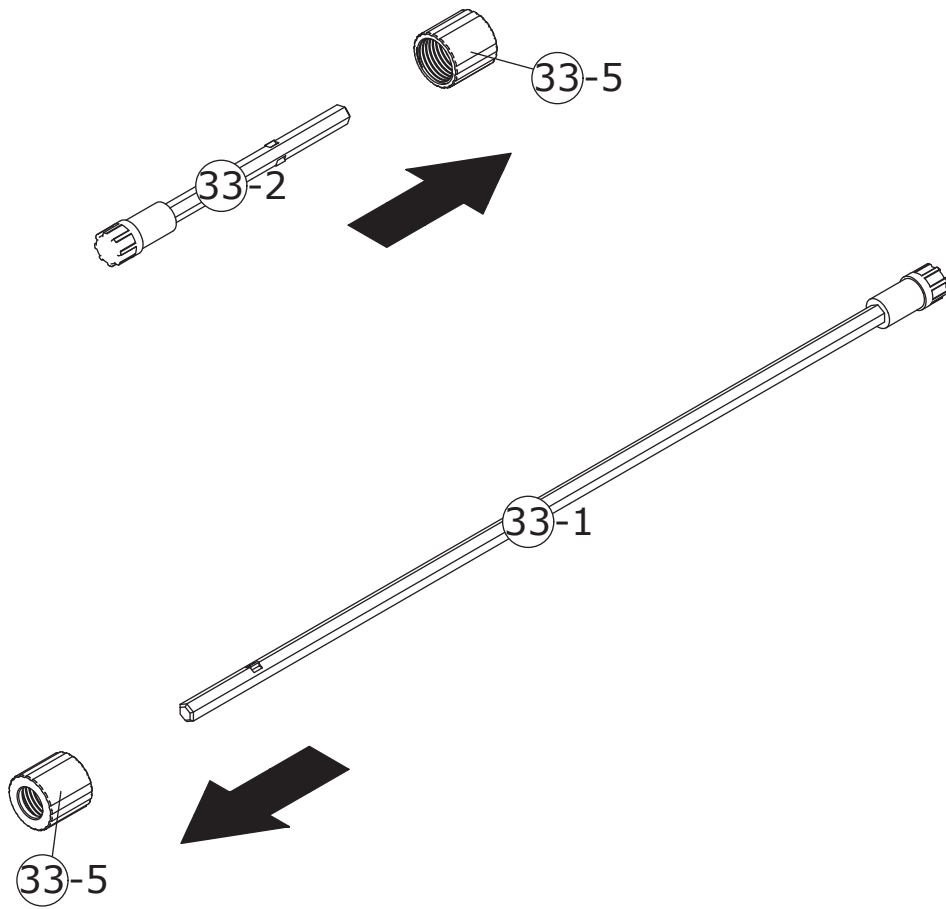
56

As shown in the figure, lower the height of components (31) and (32) to the minimum.



57

As shown in the figure, install part (33-5) onto part (33-2).
Install part (33-5) onto part (33-1).

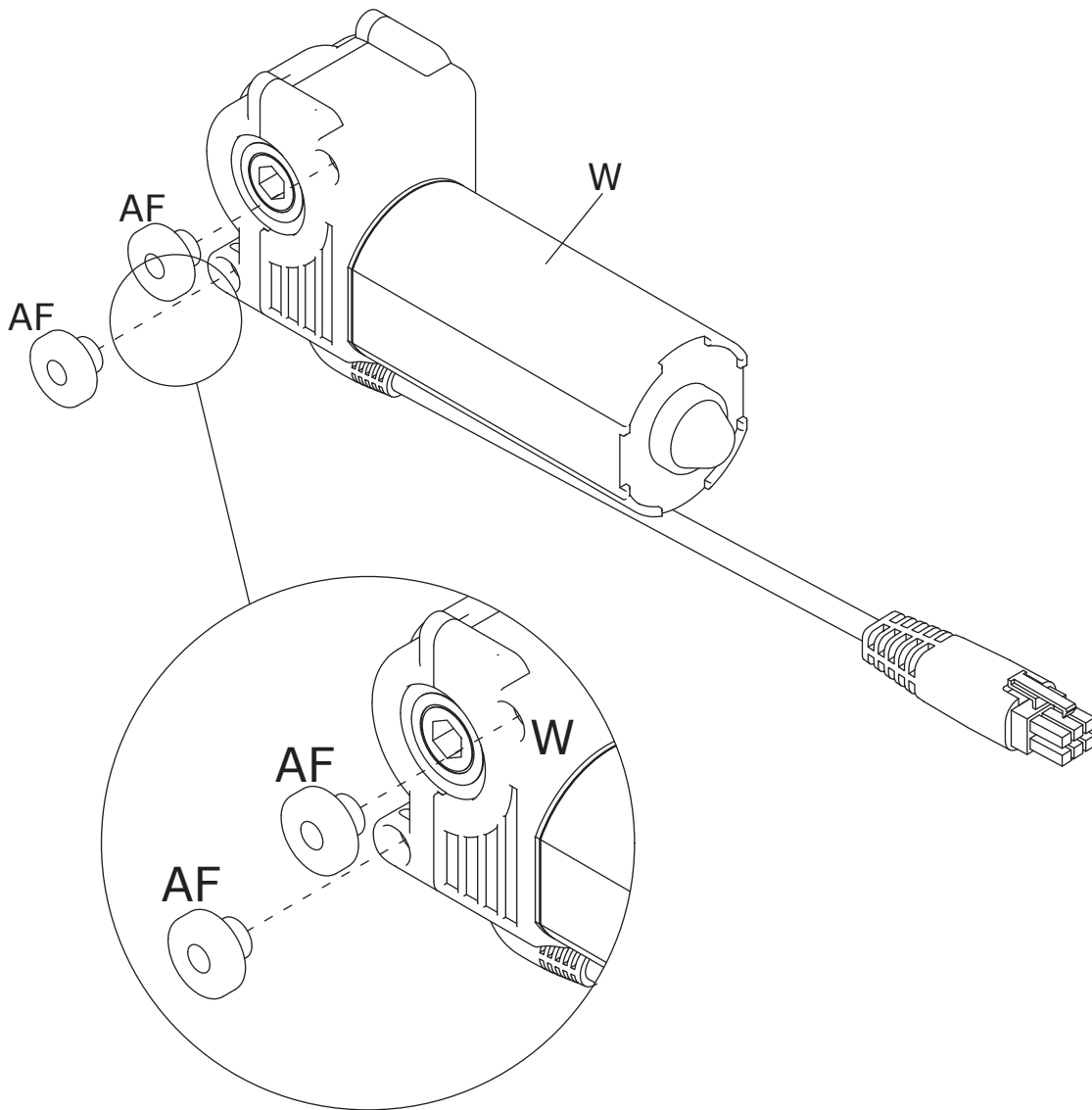


58

AF x 2

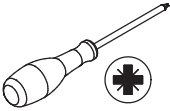


As shown in the figure, install part (AF) onto motor (W).

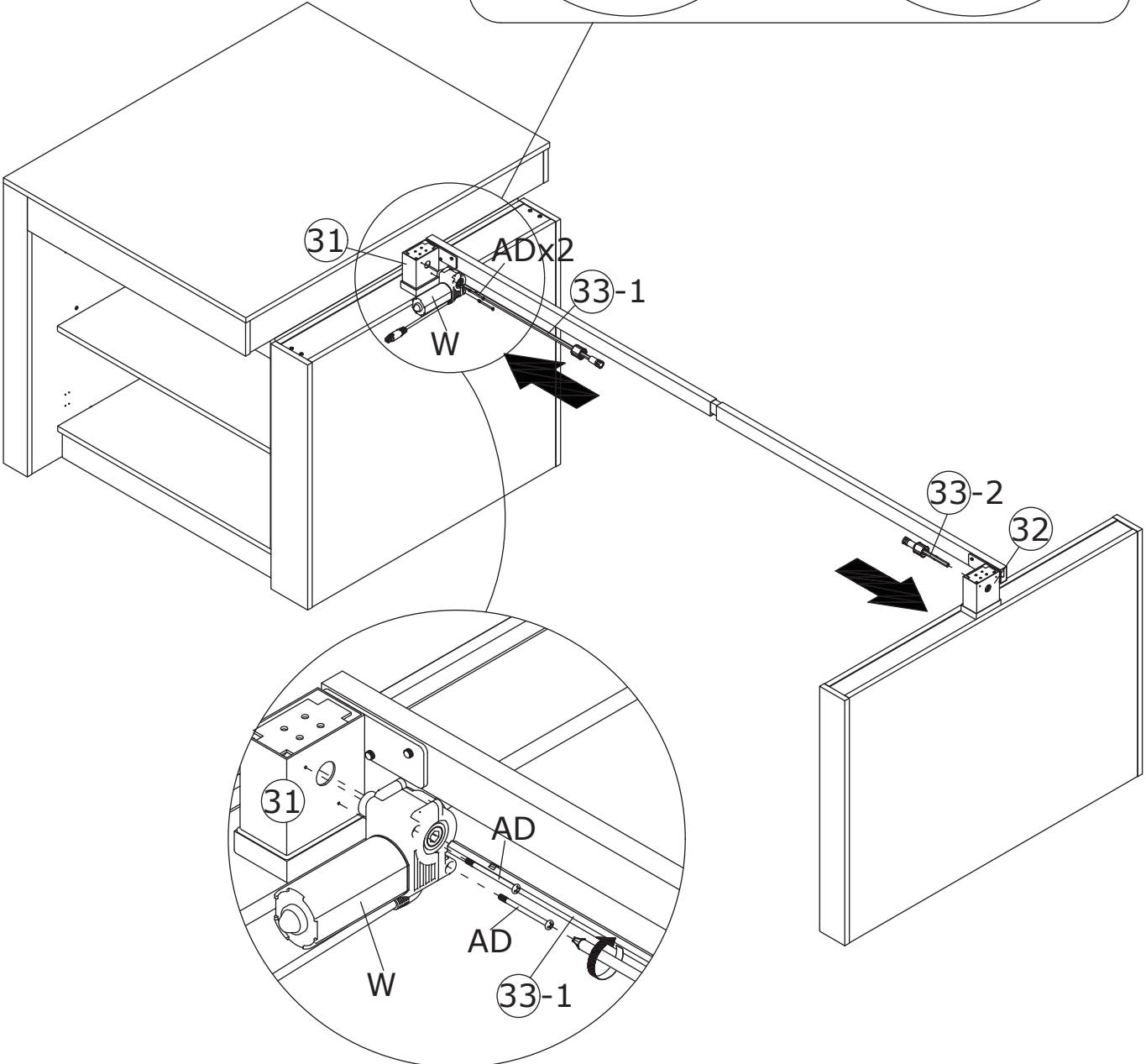
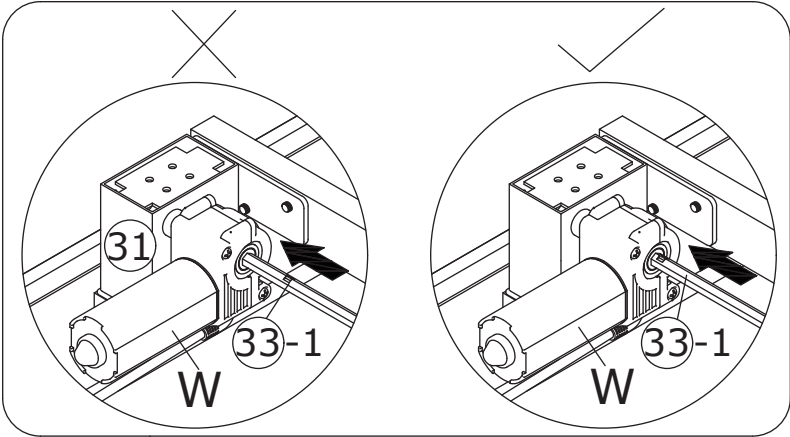


59

AD x 2
CRE0450A

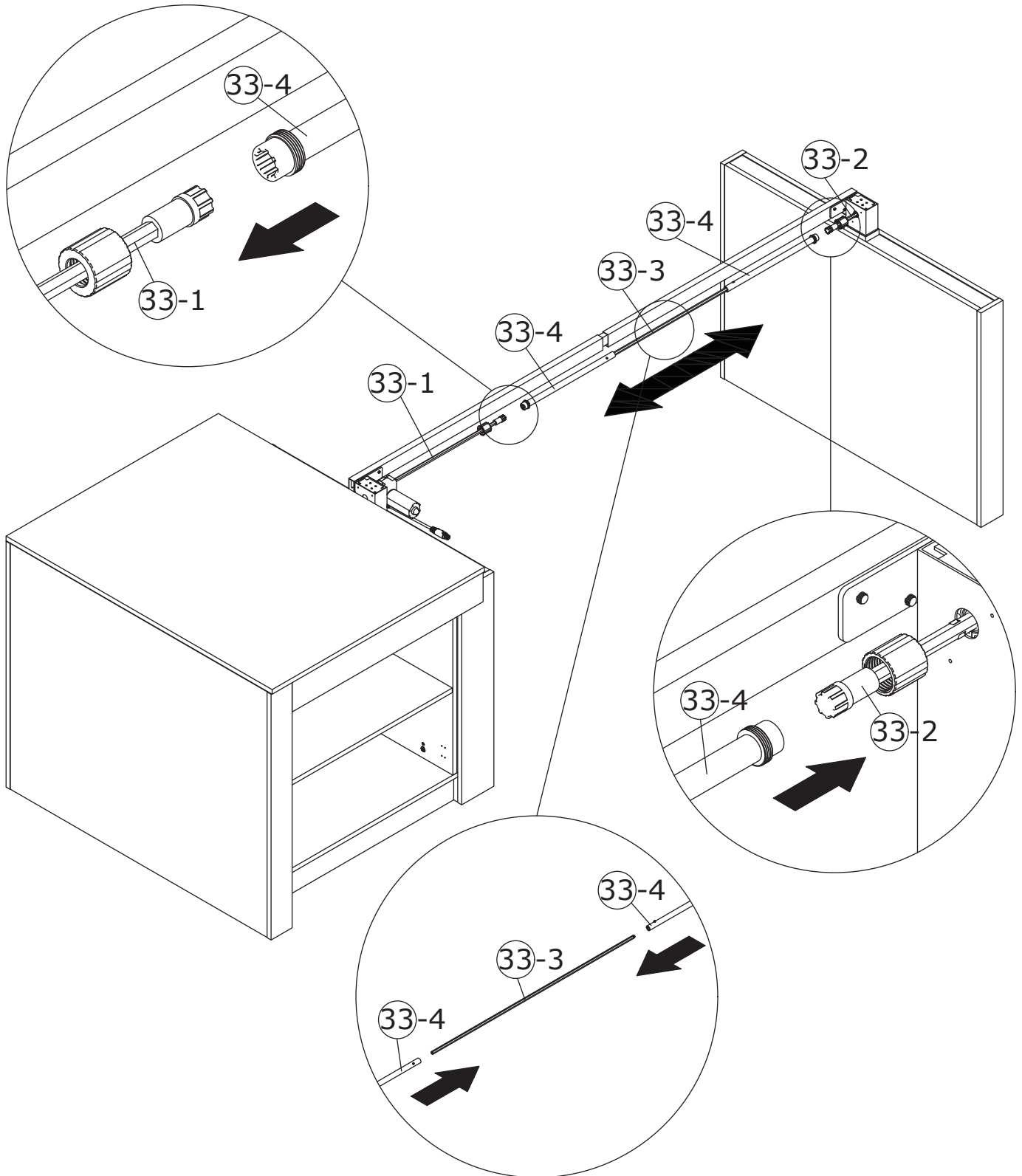


As shown in the figure, mount the motor (W) to the component (31) using screws (AD). Install the component (33-1) onto the motor (W) and component (31).



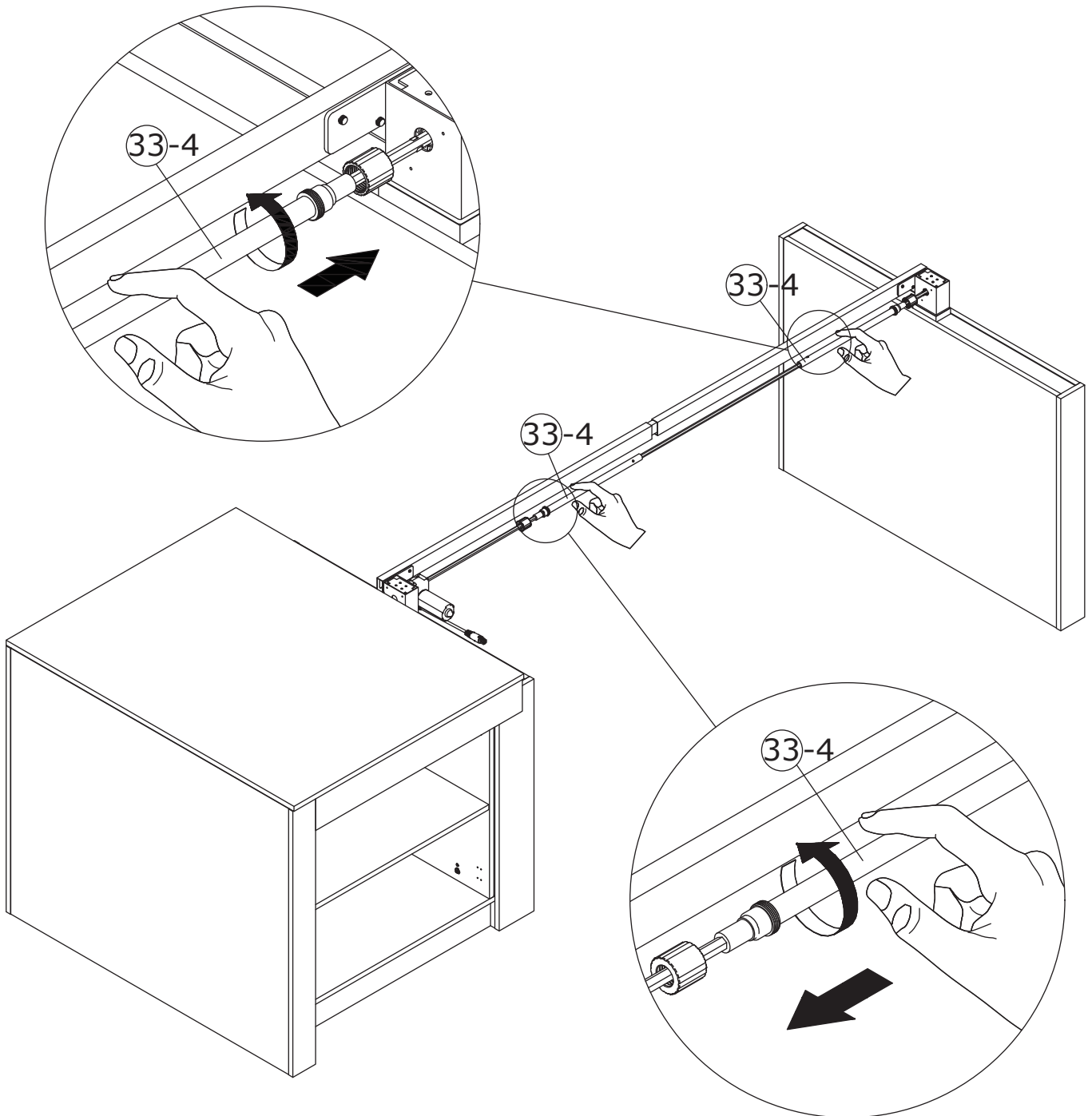
60

As shown in the figure, first install part (33-4) onto part (33-3), then install part (33-4) onto parts (33-1) and (33-2).

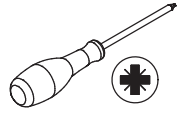


61

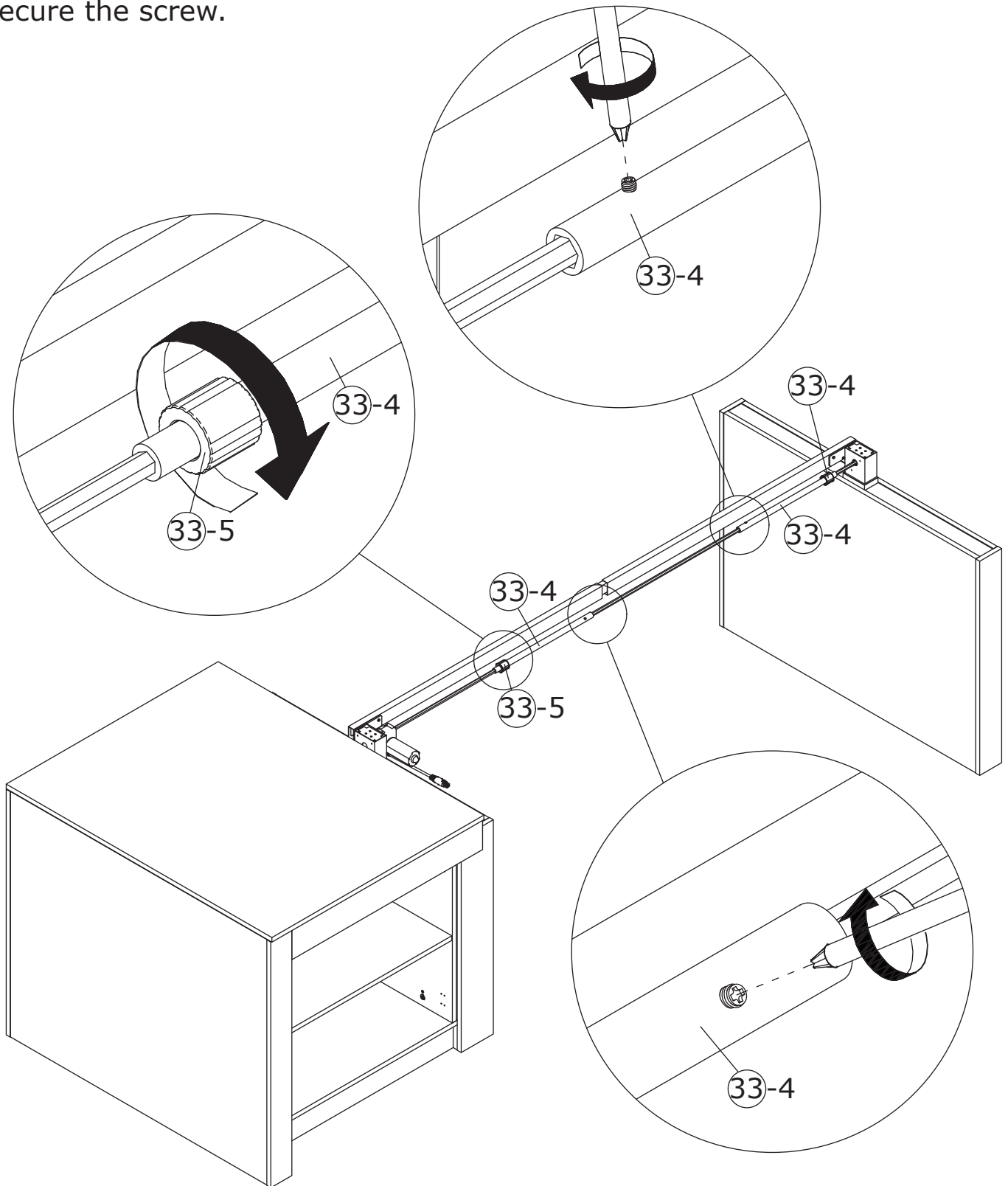
As shown in the figure, the drive rod can be inserted to a certain depth by rotating component (33-4).

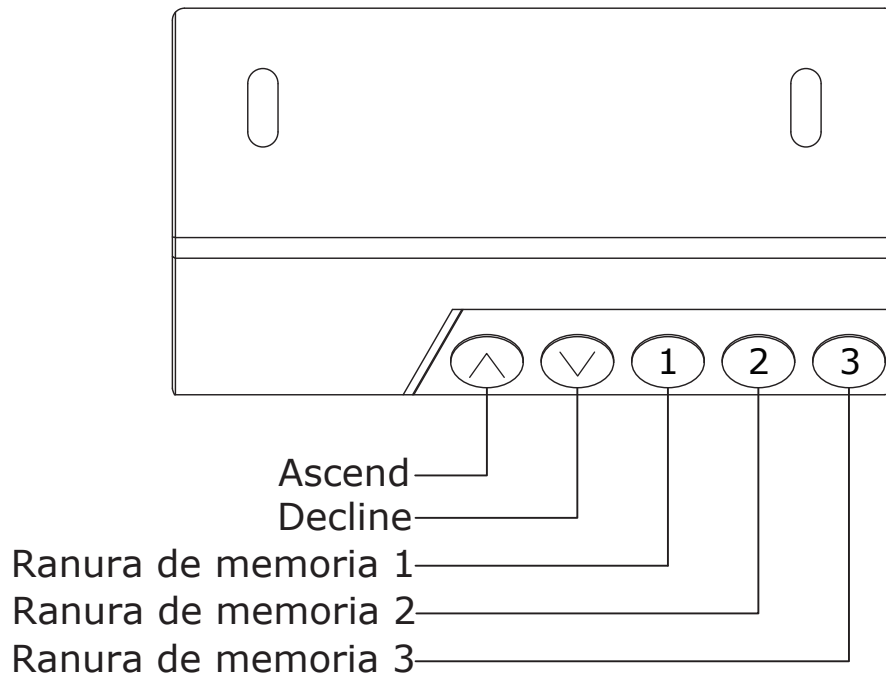


62



As shown in the figure, rotate and tighten component (33-5), then secure the screw.





Product Operation Instructions

(1)Initial Power-On:

When the hand controller is powered on, it displays the current height. If the displayed height does not match the actual height of the desk legs, or if the desk legs' height has changed due to reinstallation, a reset operation is required. Otherwise, the factory preset can be used directly.

(2)Reset Operation:

Press and hold the "▼" button until the desk leg stops after 5 seconds. The controller will display "rES," indicating that the reset process has started. The desk leg will slowly descend until it reaches the lowest position and then rebound by 0.5 cm. If the button is released during the reset process, the operation will continue until completion.

(3)Ascending Operation:

Press and hold the "▲" button to raise the desk. Release the button to stop.

(4)Descending Operation:

Press and hold the "▼" button to lower the desk. Release the button to stop.

(5)Memory Function and Display:

The controller stores the current height in its internal memory, retaining it even after power-off. To set a memory position, press and hold any of the 1-3 buttons for 3 seconds. The display will show "H1/H2/H3" for 2 seconds before exiting.

When pressing a memory button, the controller first displays the target height for 0.5 seconds, then moves the desk while showing the real-time height until it reaches the target position. (Press any button or a combination of buttons to stop movement.)

Memory Position Requirements:

Three memory slots:

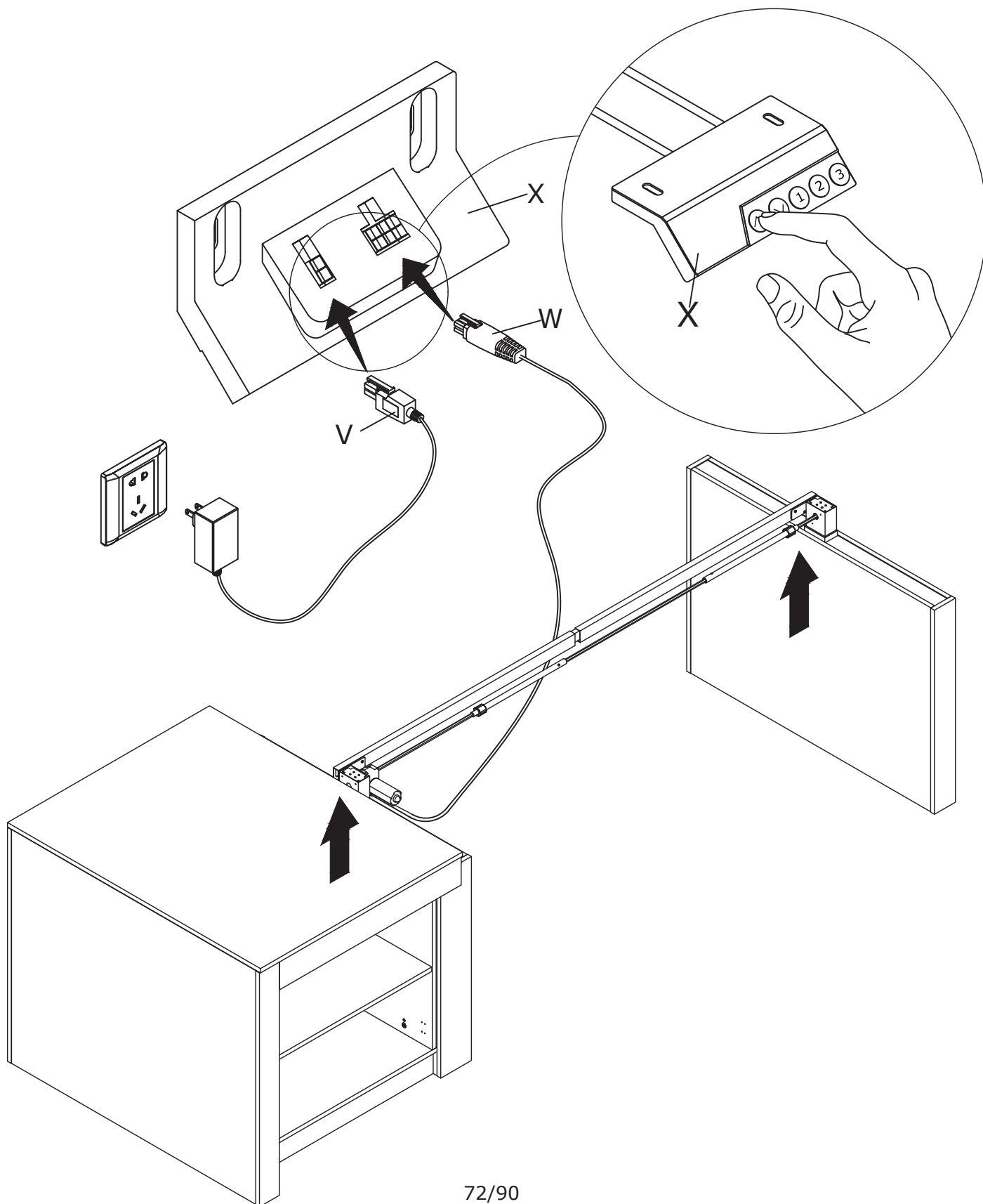
Position 1 corresponds to the lowest height.

Position 2 is set to 860 mm.

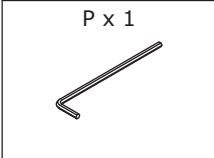
Position 3 corresponds to the highest height.

63

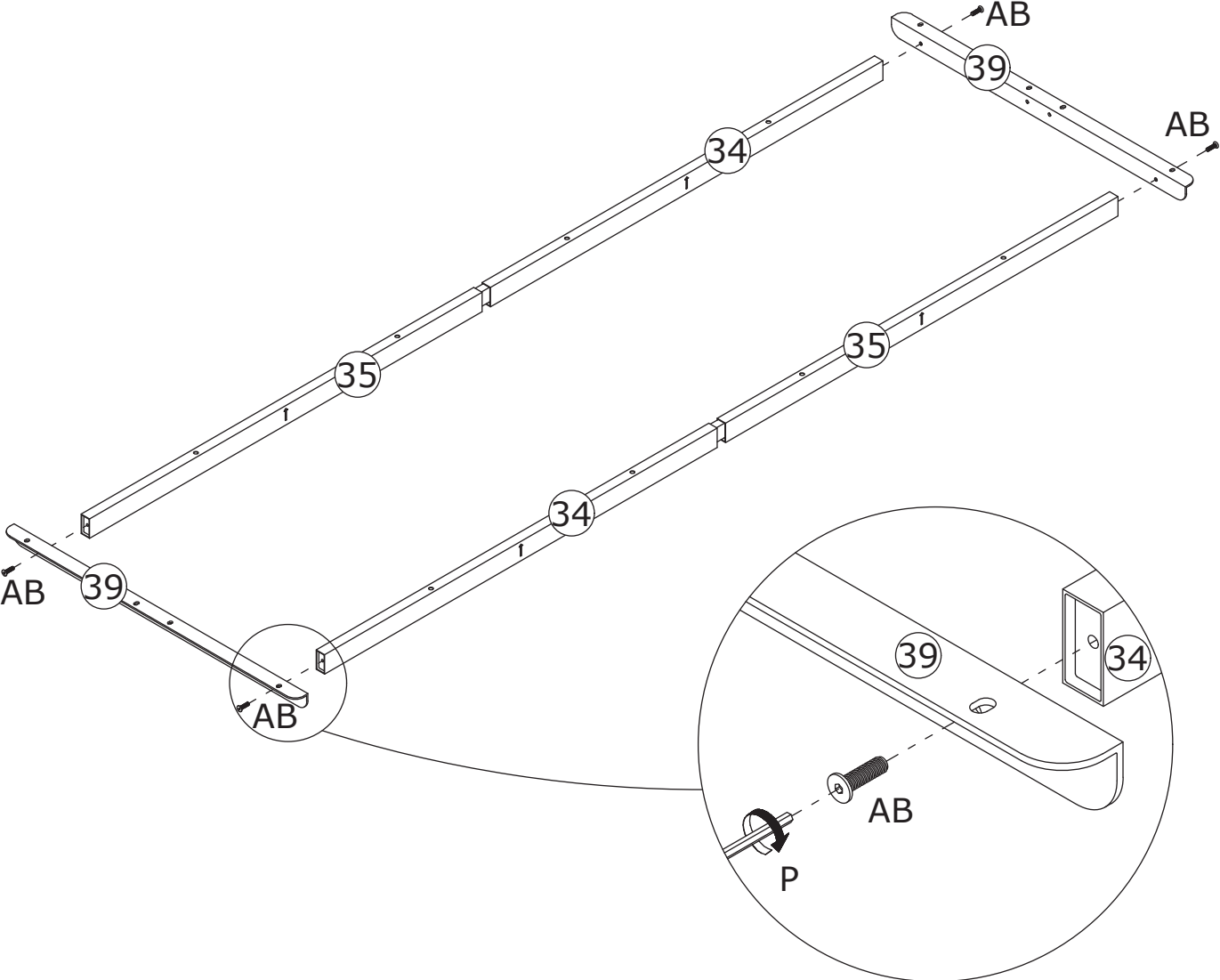
As shown in the diagram, connect the motor (W) and power cord (V) to the control panel (X). After completing the connections, turn on the power. Once powered on, raise the iron frame.



64

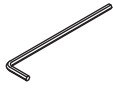


As shown in the figure, install part (39) onto parts (34) and (35) using screws (AB), and tighten them by turning clockwise with part (P).



65

P x 1



Y x 4



CRG0608A



Y



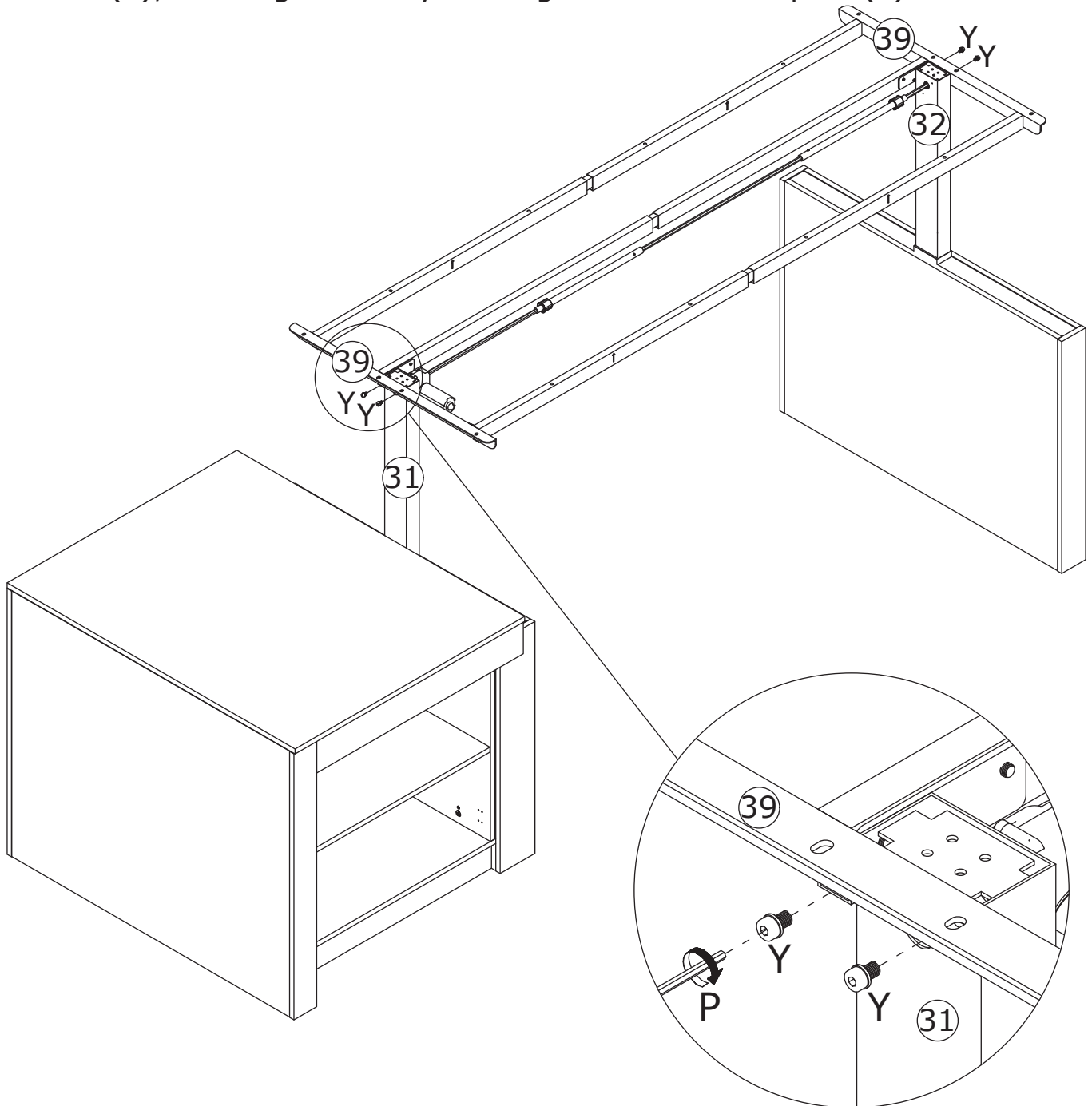
CRG0608A

Z

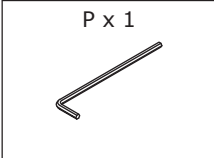


CRG0608A

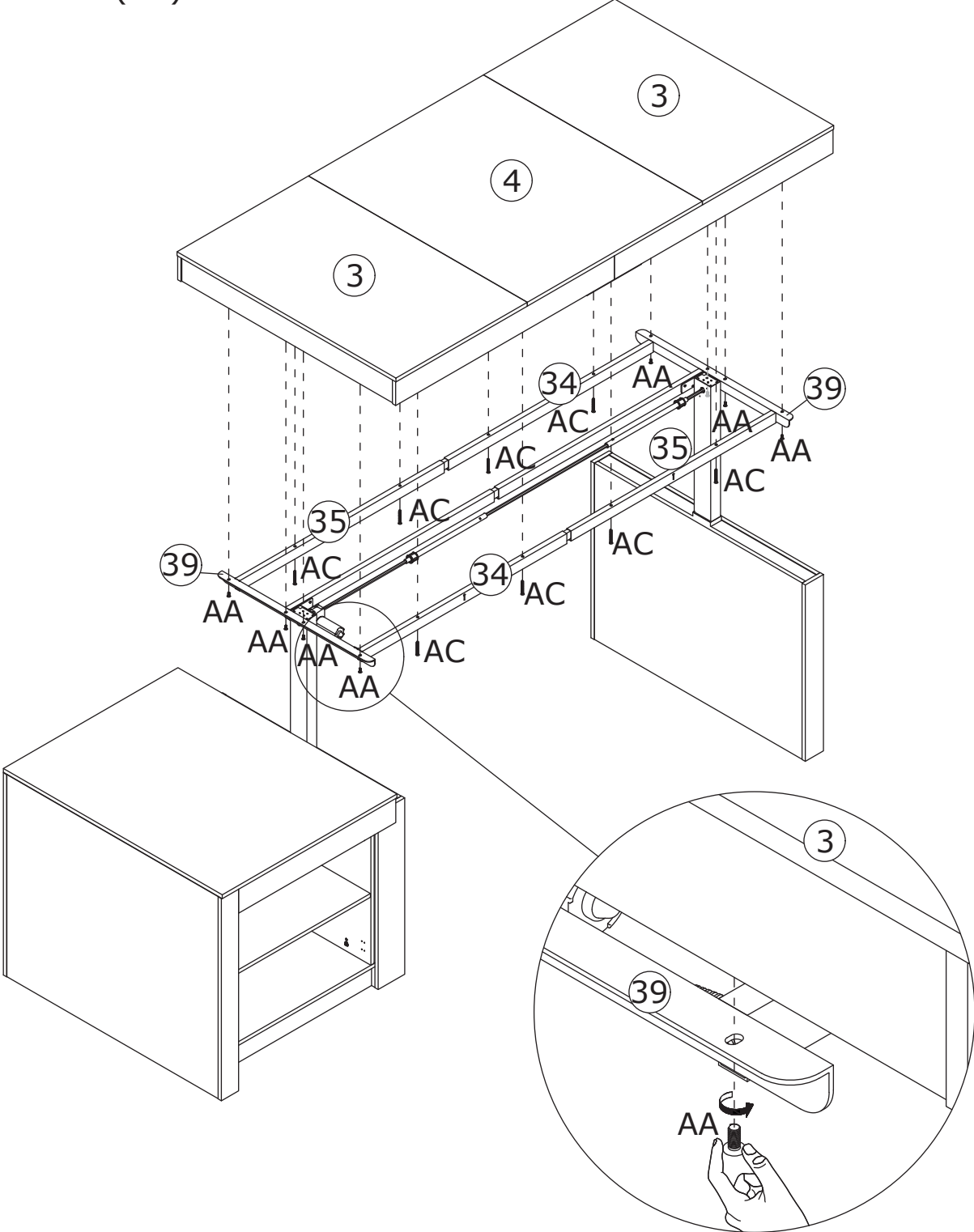
As shown in the figure, install part (39) onto parts (31) and (32) using screw (Y), then tighten it by turning clockwise with part (P).



66

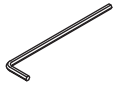


As shown in the figure, first align the table surface with the steel component's hole positions, then manually install Screw (AA) and Screw (AC).

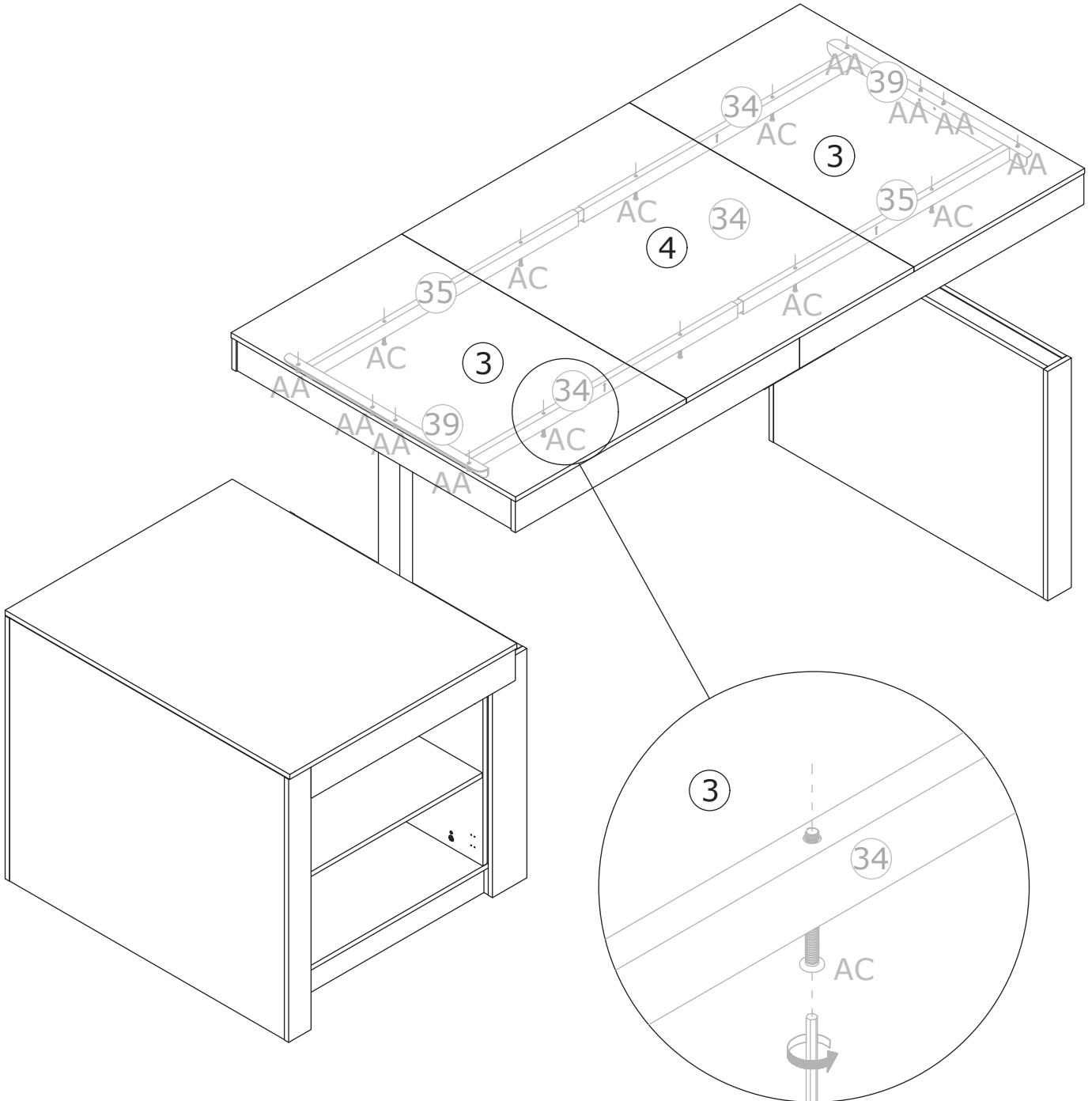


67

P x 1



As shown in the figure, align the holes, then use the component (P) to tighten screws (AA) and screws (AC) by turning clockwise.

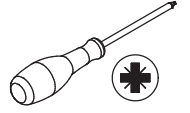


68

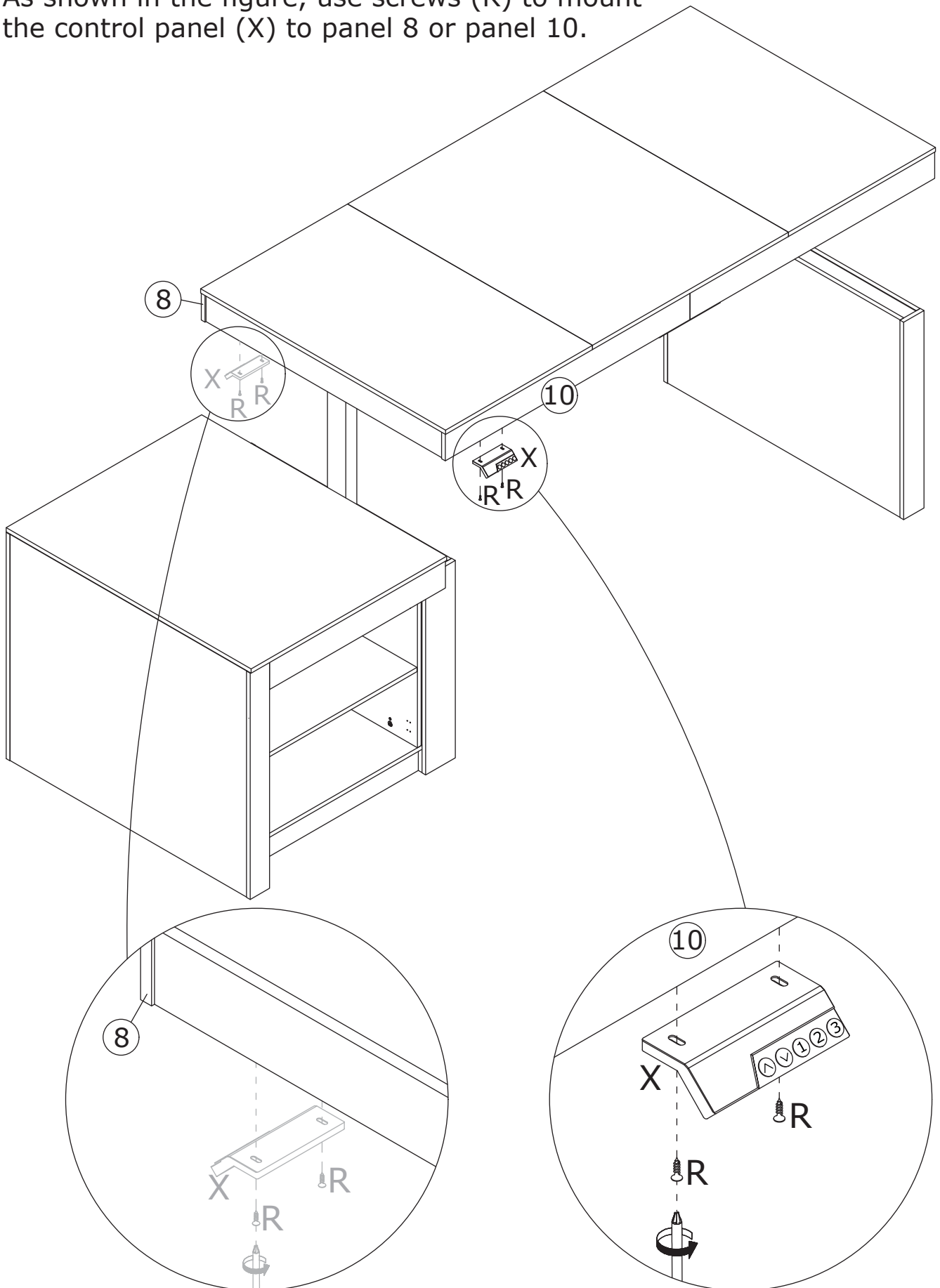
R x 2



CRD3514A



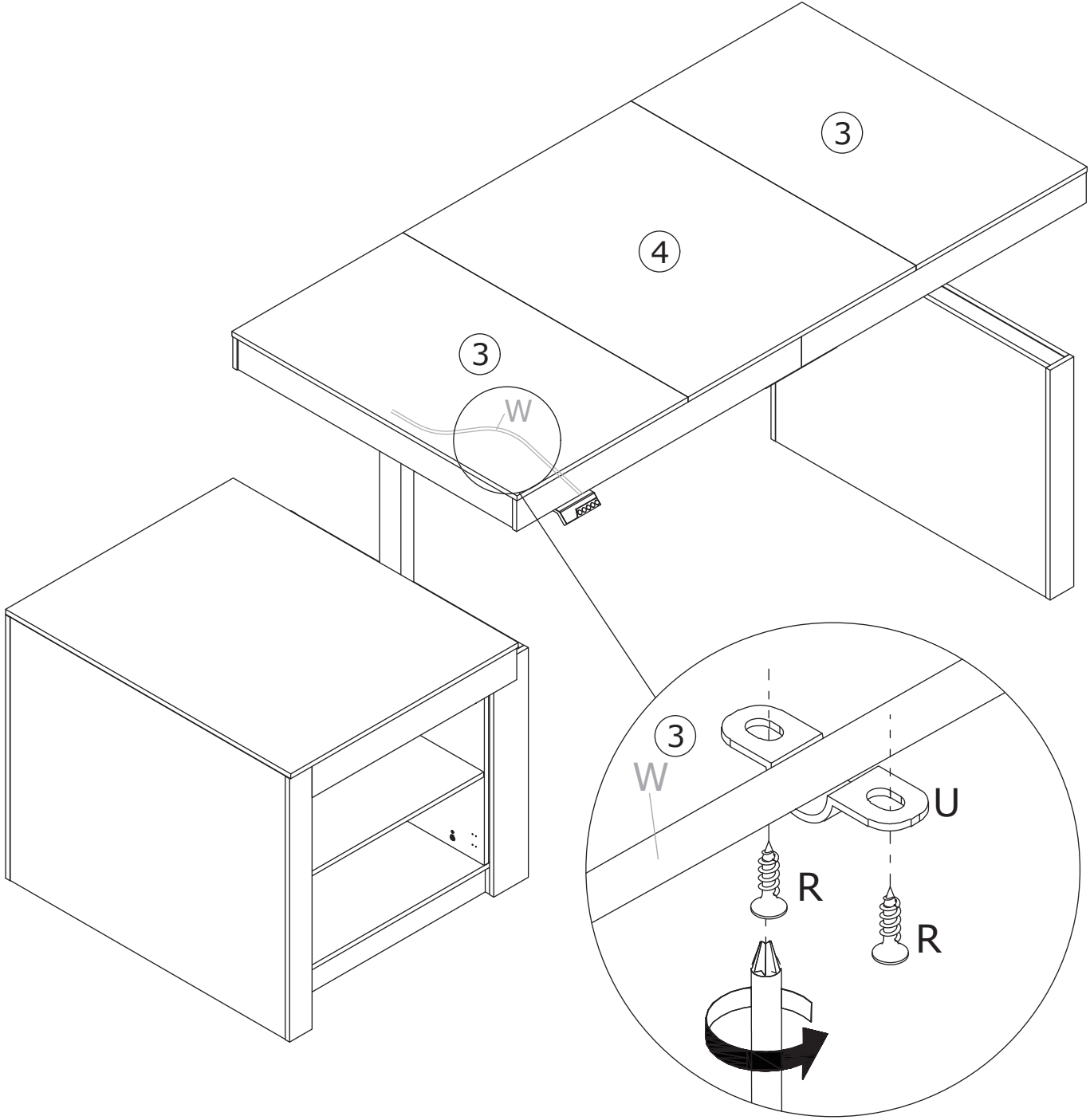
As shown in the figure, use screws (R) to mount the control panel (X) to panel 8 or panel 10.



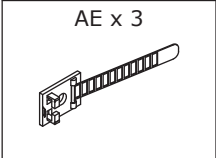
69



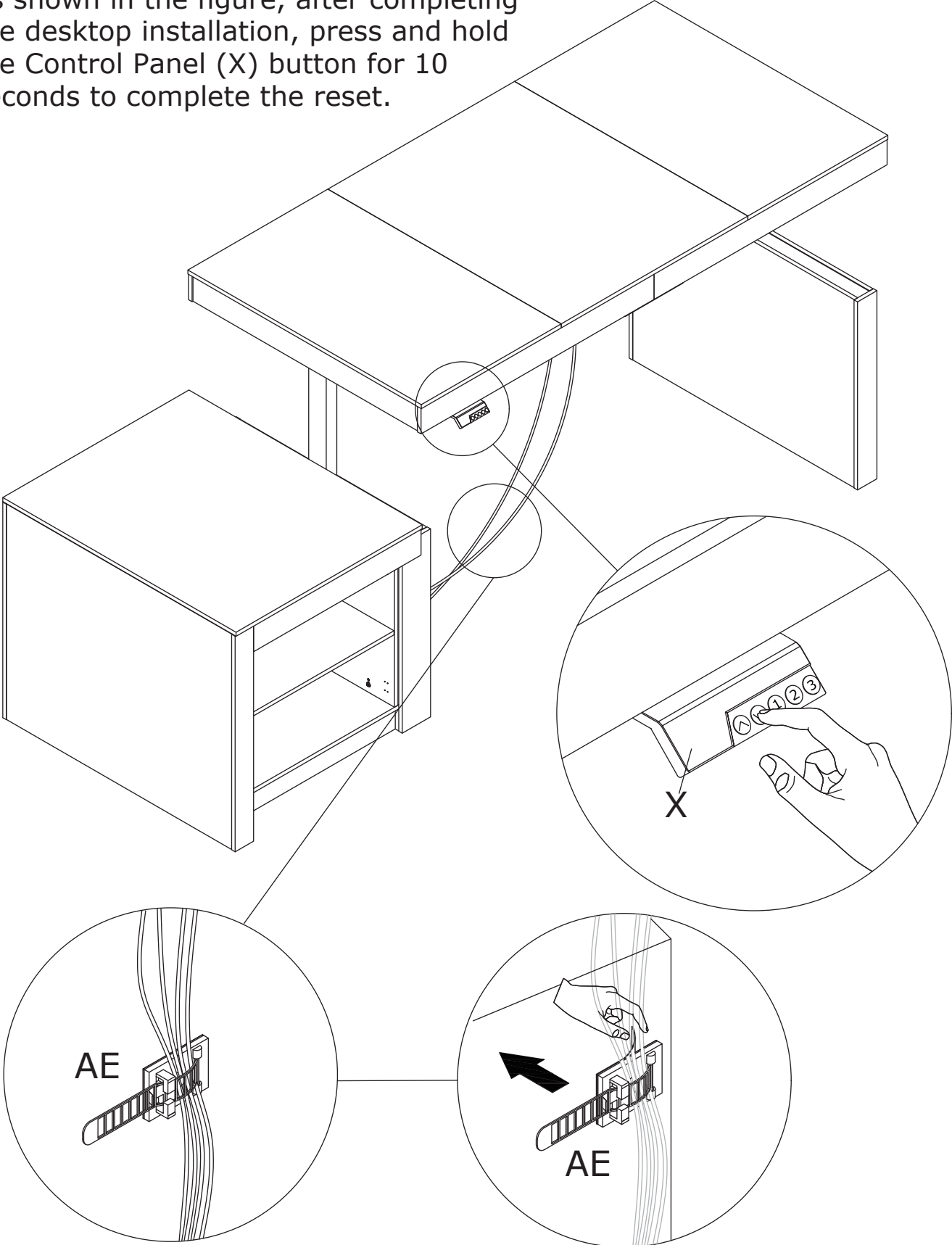
As shown in the figure, secure the wire using the component (U) and fasten it with screws (R).



70



As shown in the figure, after completing the desktop installation, press and hold the Control Panel (X) button for 10 seconds to complete the reset.

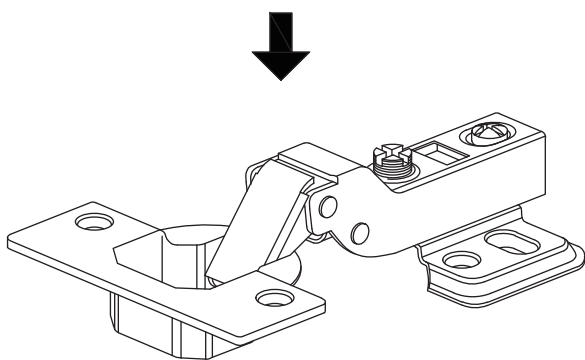
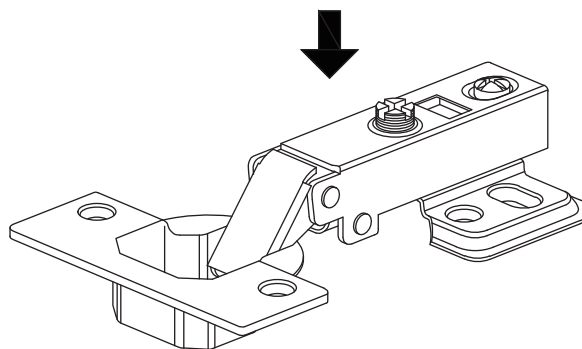


As shown in the figure, if you need a cleaner layout, you can use the component (AE).

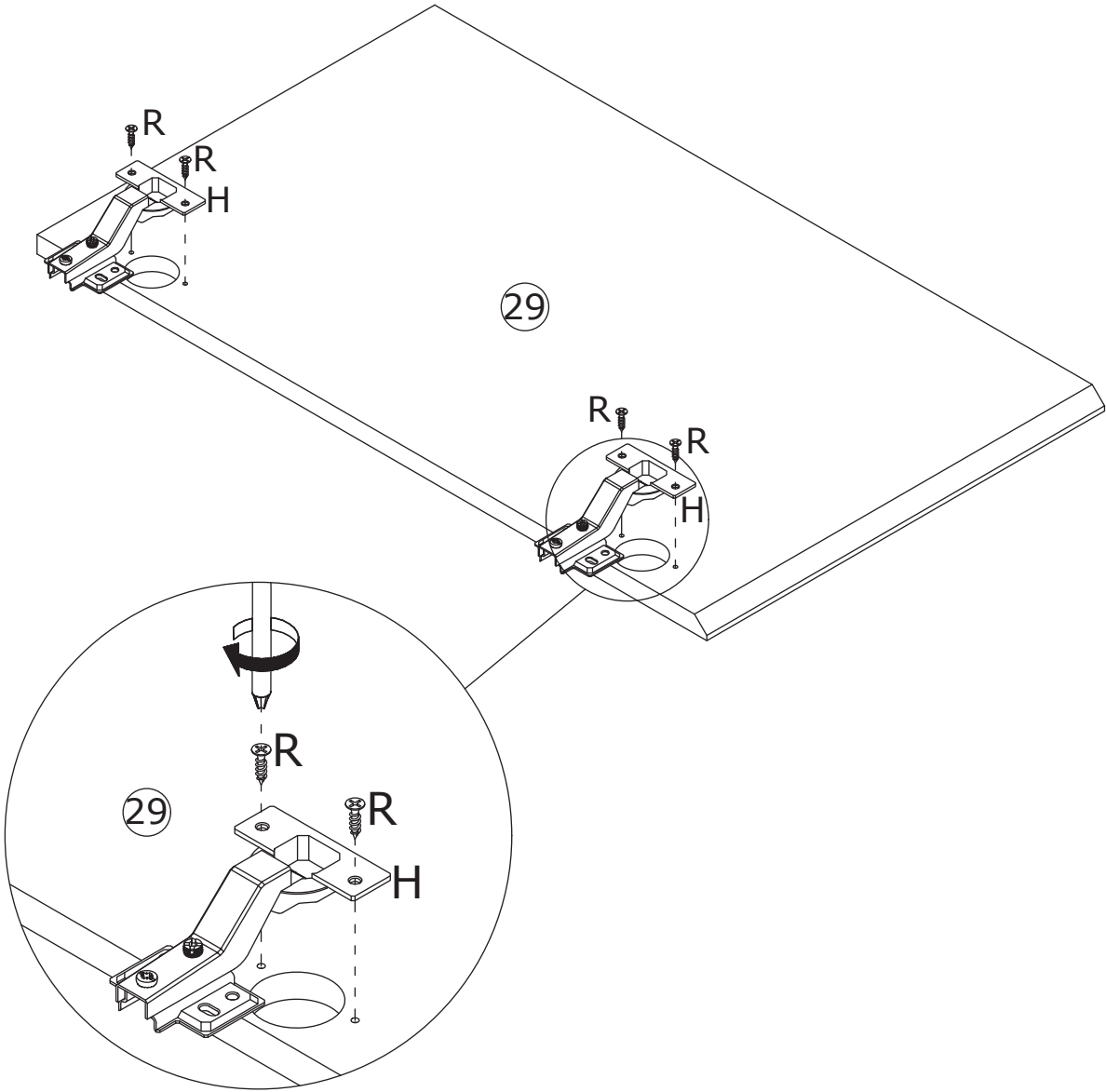
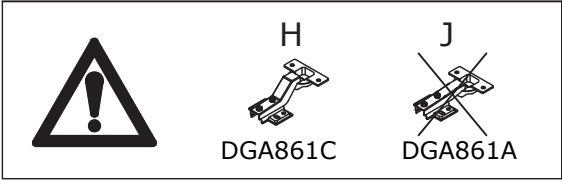
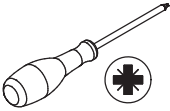


Pay attention to the difference between the middle parts of the two types of door hinges.

- The full coverage door hinges(J) are used on panel 24.
- And the curved door hinges(H) are used on panel 41.

**H****J**

72



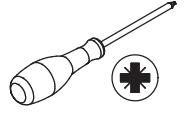
As shown in the figure, install the hinge (H) onto panel 29 using screws (R).

73

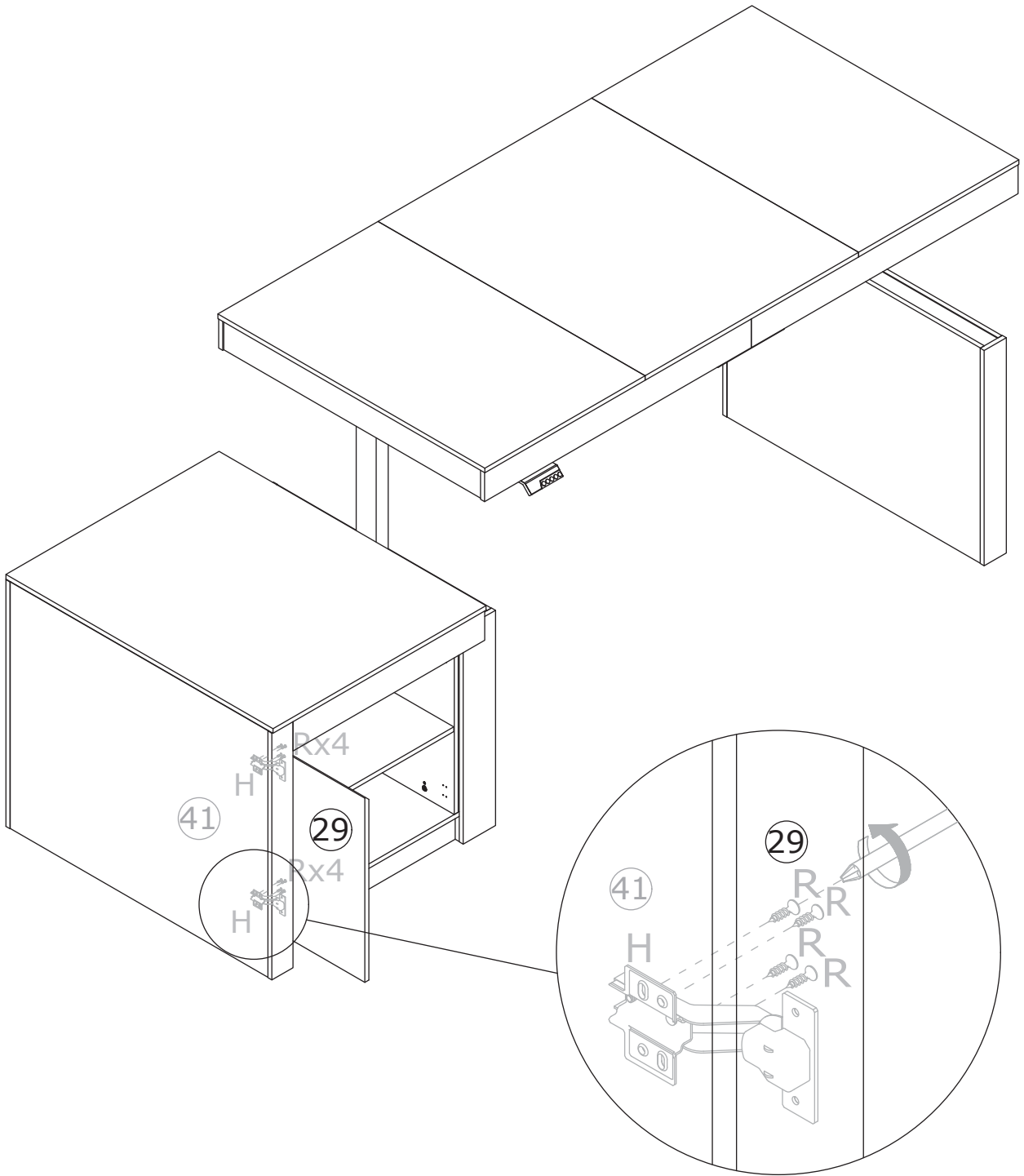
R x 8



CRD3514A


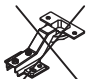



As shown in the figure, install the hinge (H) onto panel 41 using screws (R).

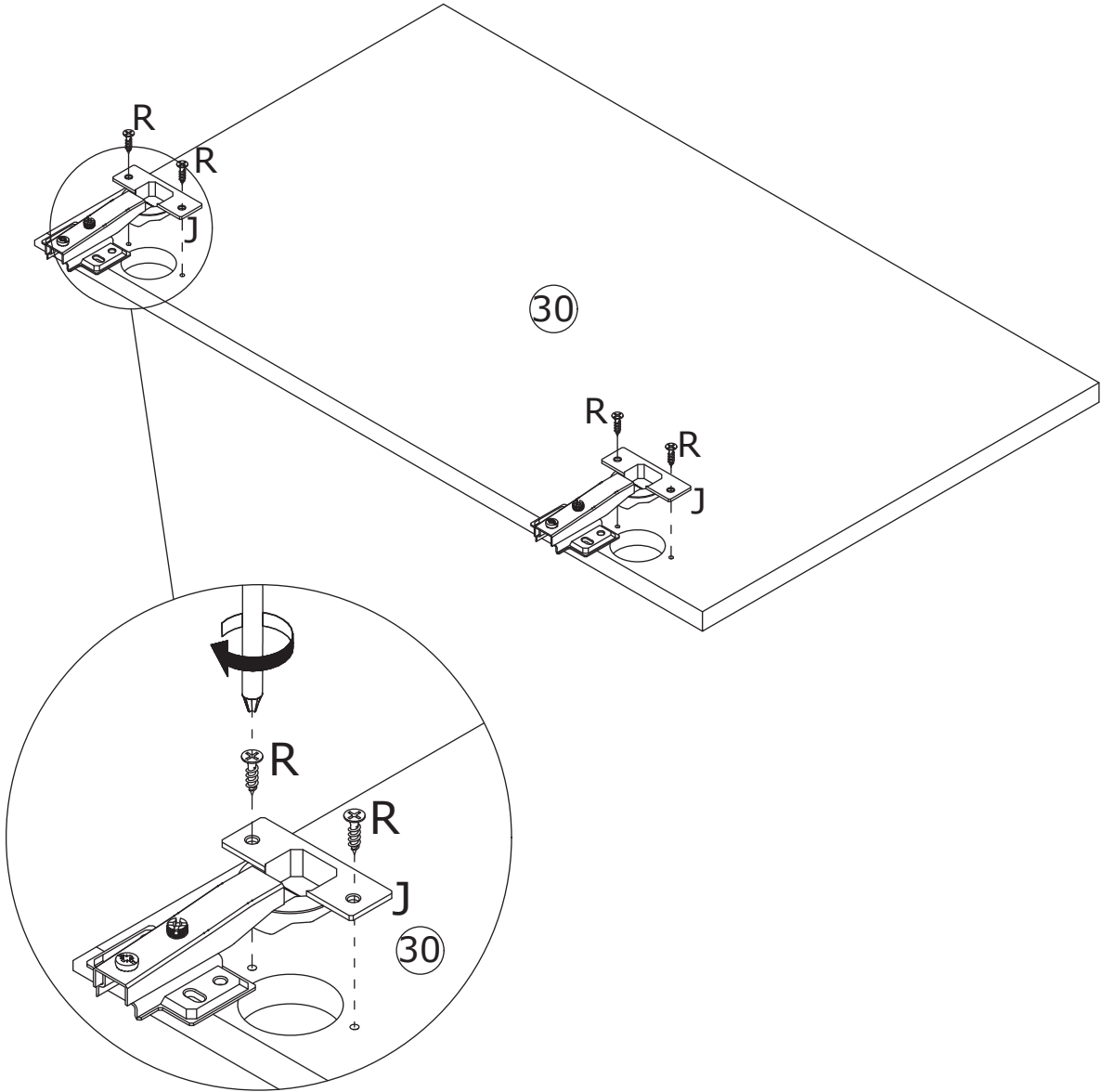


74

J x 2  DGA861A	R x 4  CRD3514A	
---	--	---

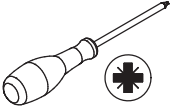
	H  DGA861C	J  DGA861A
--	--	---

As shown in the figure, install the hinge (J) onto panel 30 using screws (R).

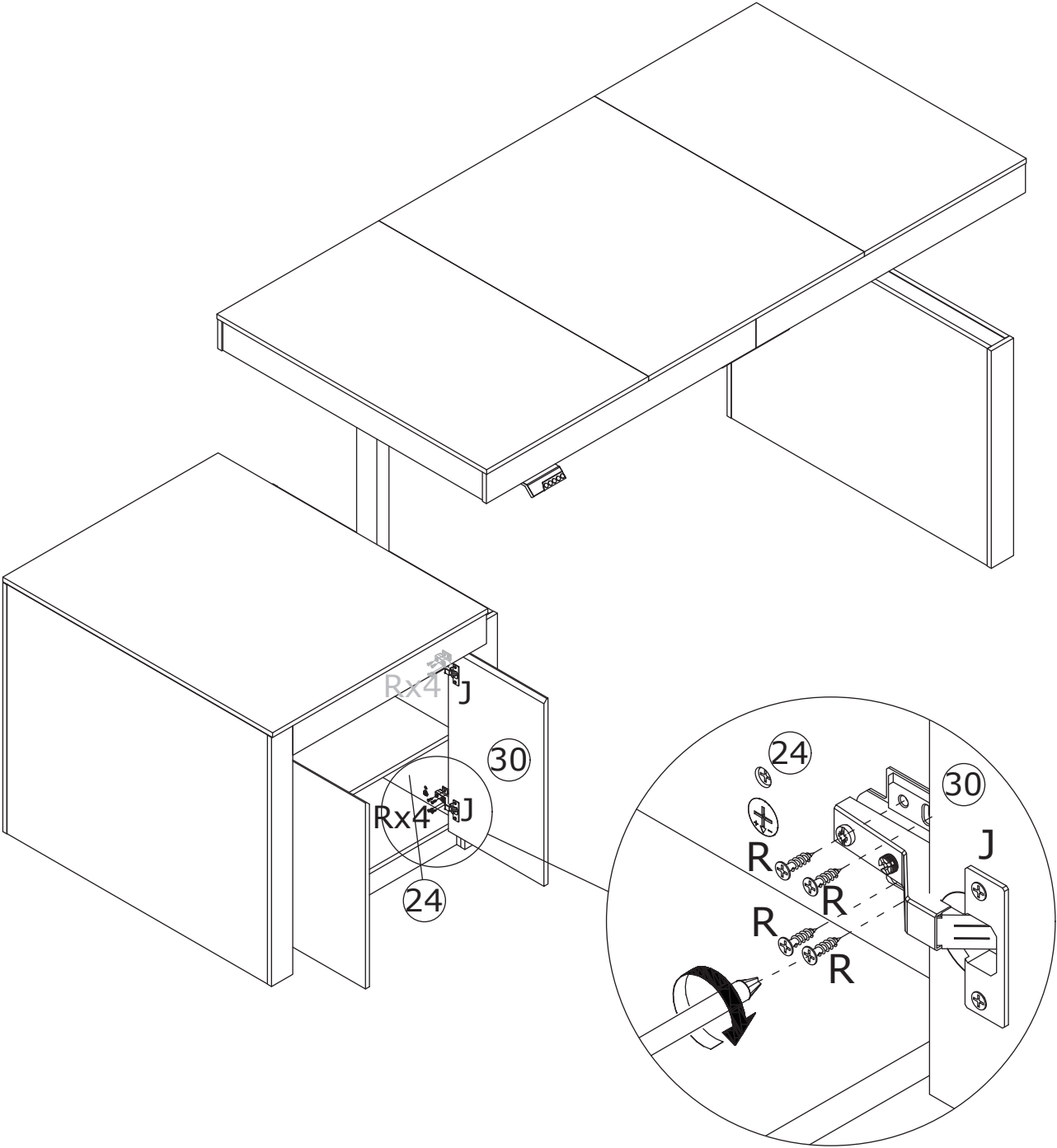


75

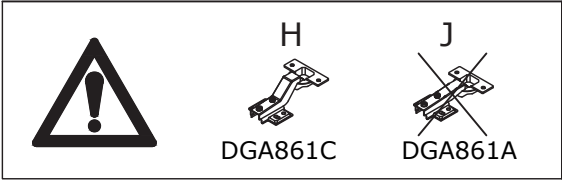
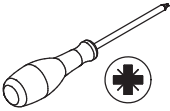
R x 8
CRD3514A



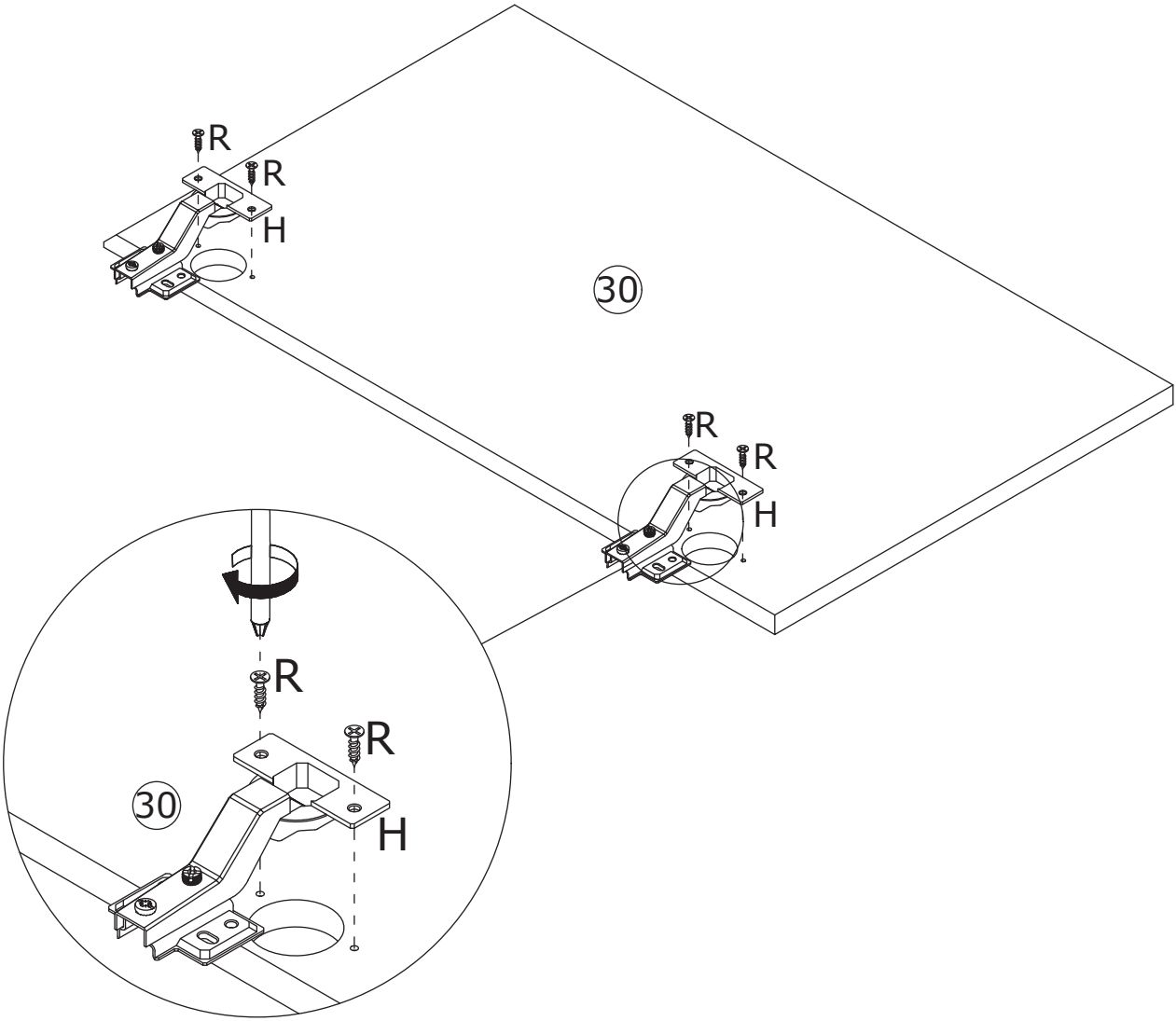
As shown in the figure, install the hinge (J) onto panel 24 using screws (R).



76



As shown in the figure, install the hinge (H) onto panel 30 using screws (R).

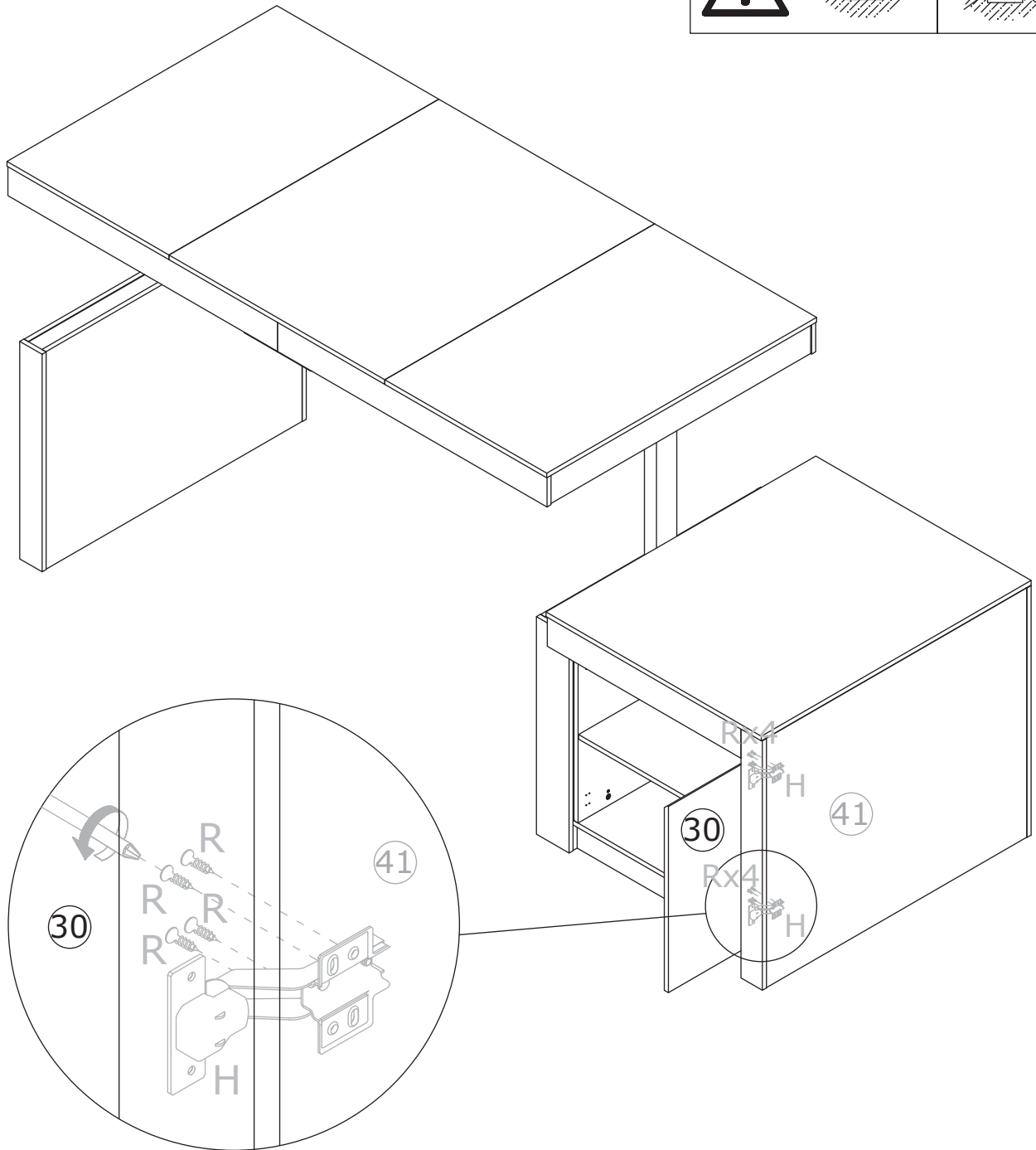
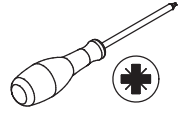


77

R x 8




CRD3514A



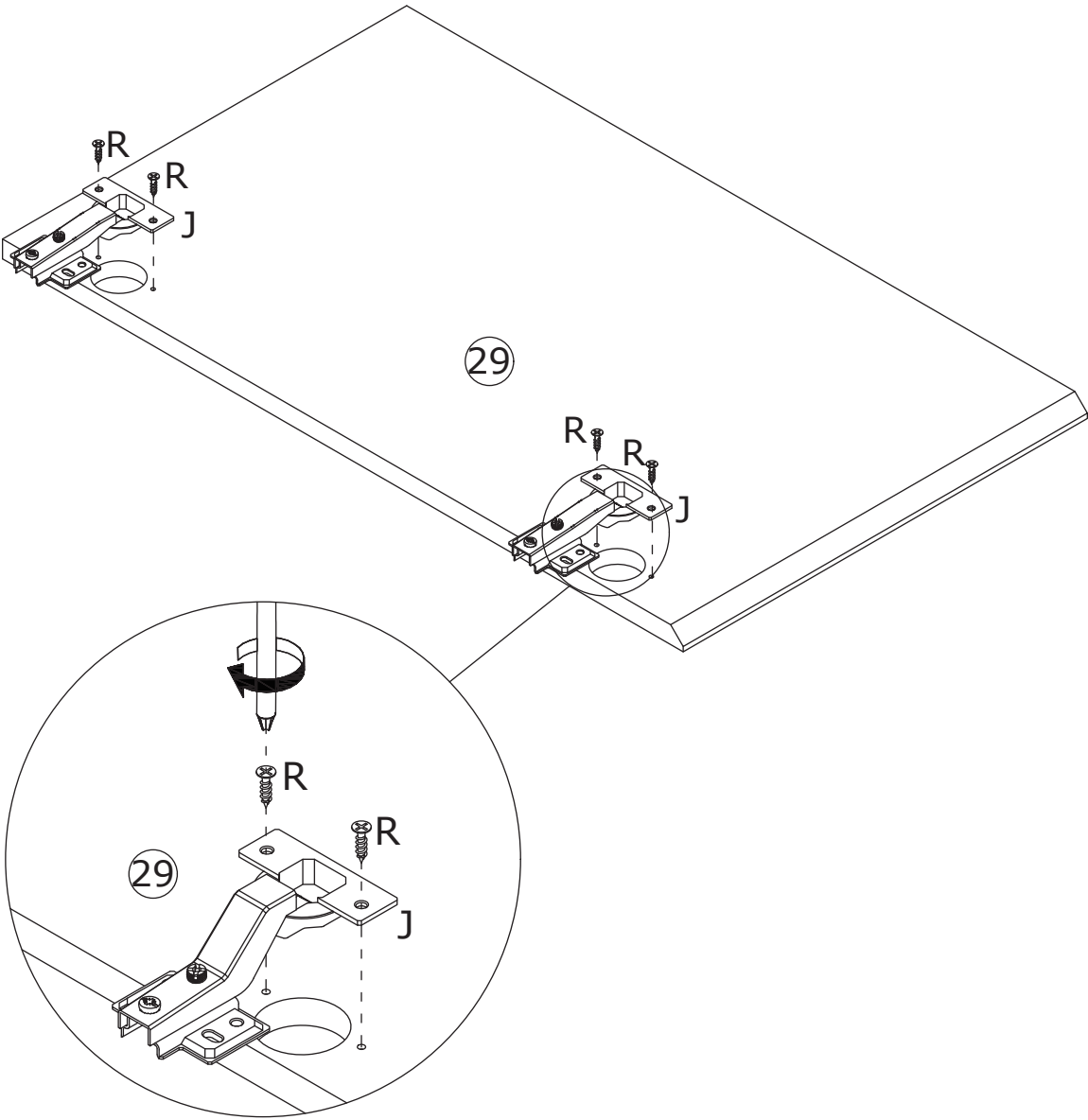
As shown in the figure, install the hinge (H) onto panel 41 using screws (R).

78

J x 2  DGA861A	R x 4  CRD3514A	
---	--	---

	H DGA861C	J DGA861A
--	-------------------------	--------------

As shown in the figure, install the hinge (J) onto panel 29 using screws (R).

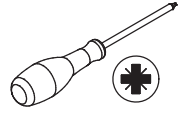


79

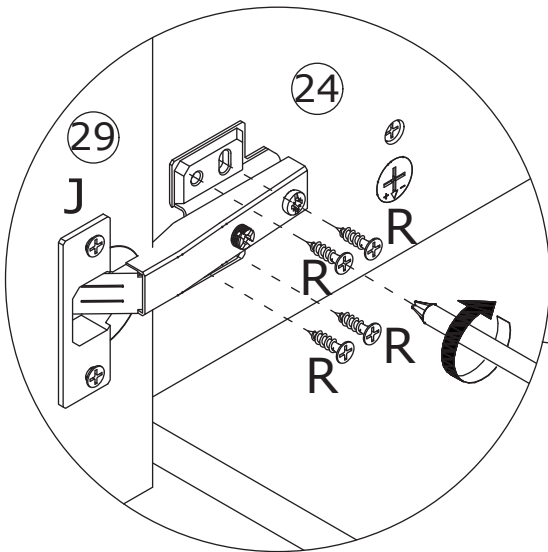
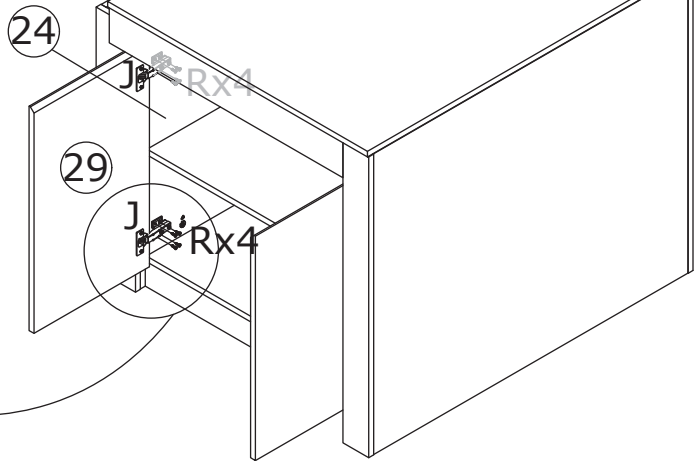
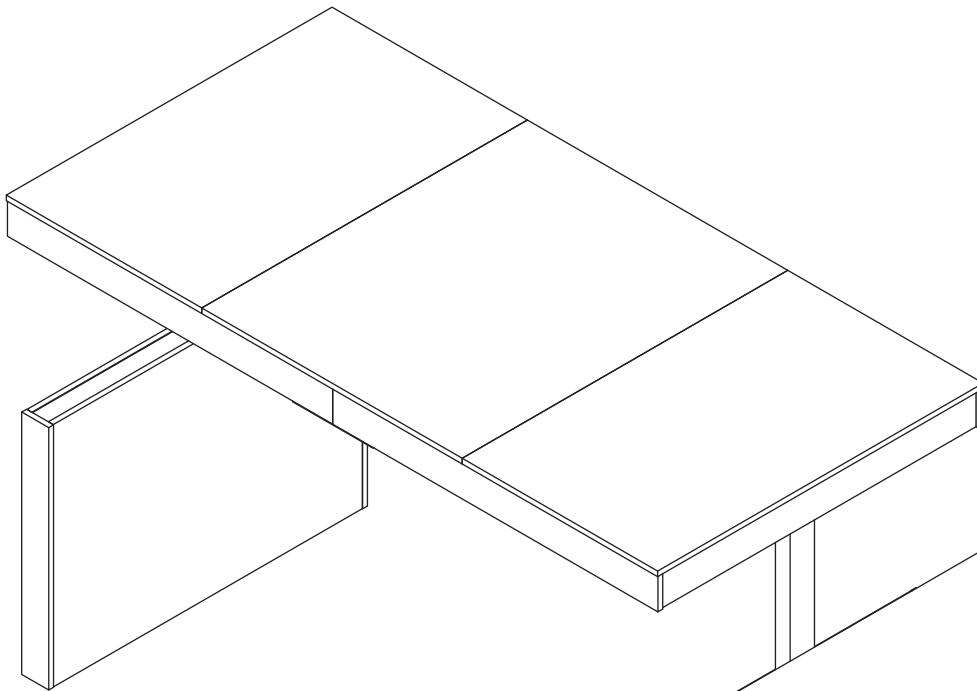
R x 8

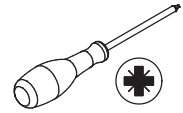


CRD3514A

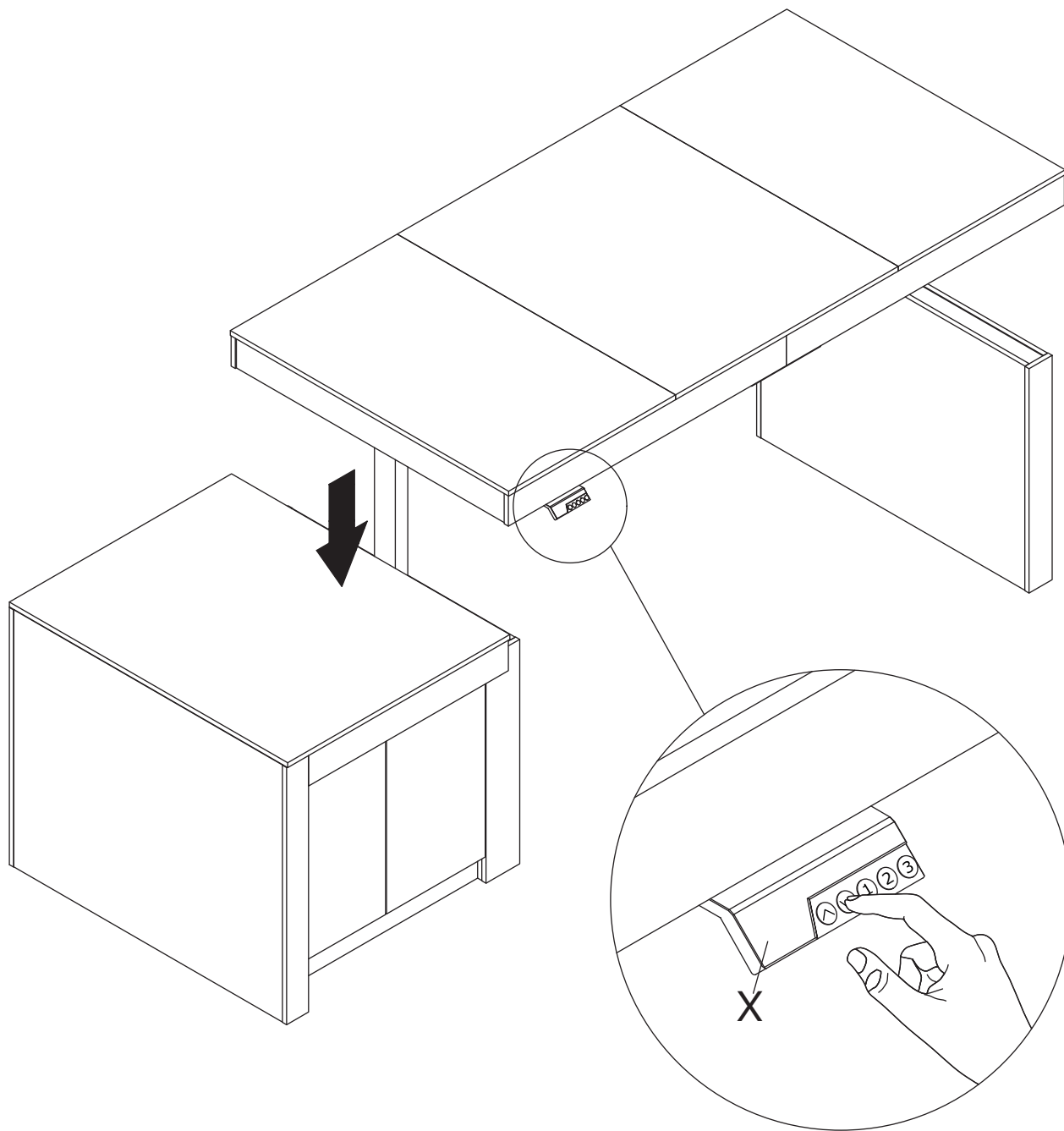


As shown in the figure, install the hinge (J) onto panel 24 using screws (R).



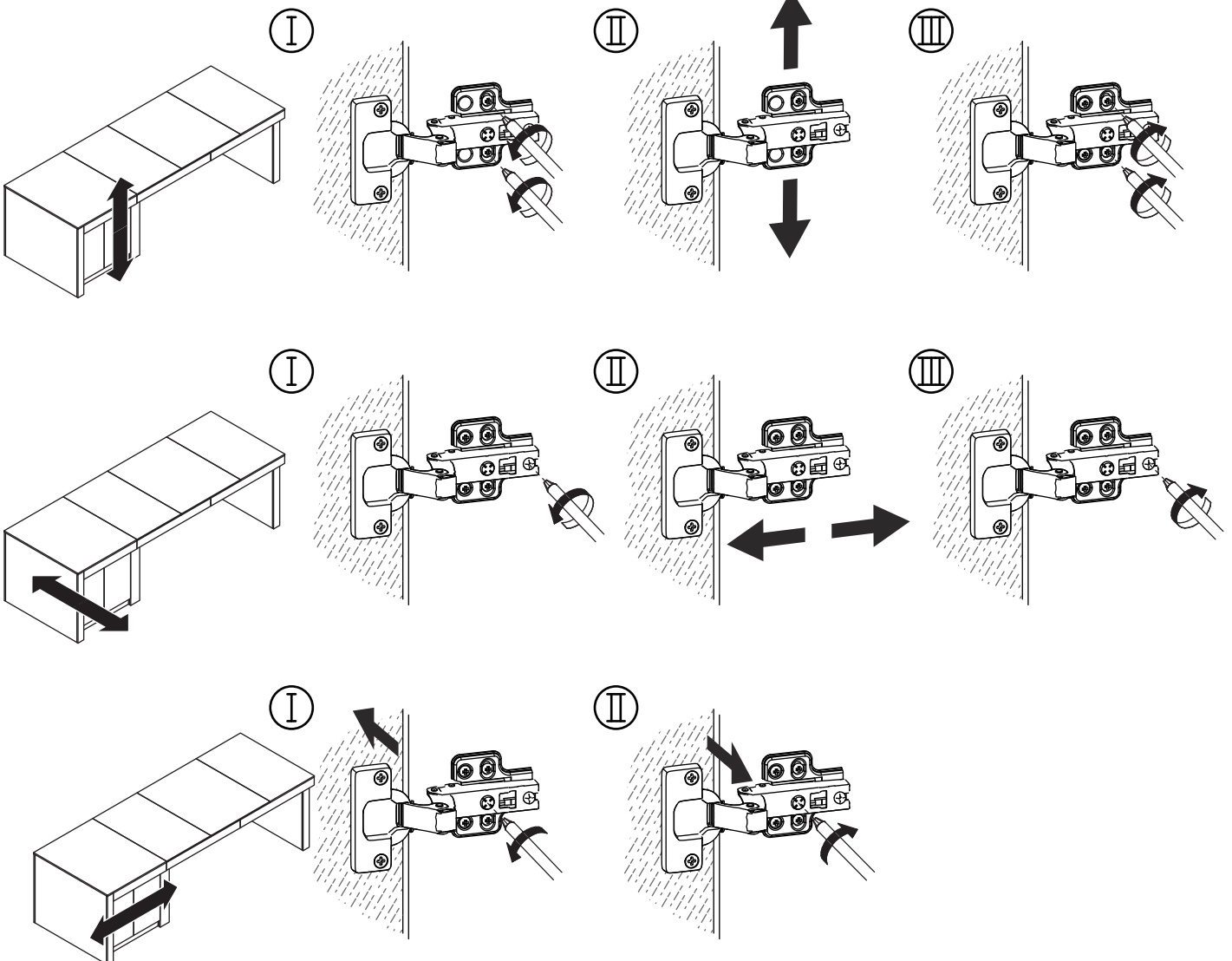
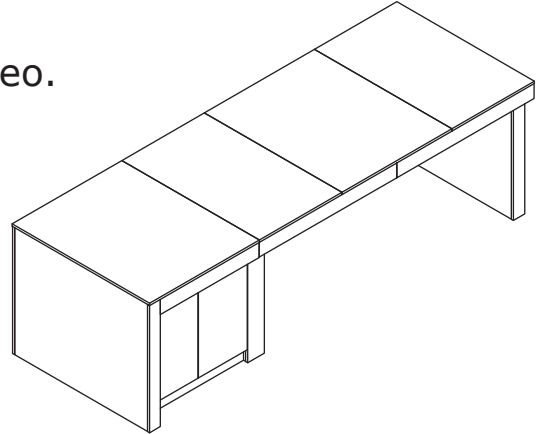


As shown in the illustration, lower the desk to the appropriate height.



If doors are still not aligned if the hinges are properly installed, please watch the video.

<https://youtu.be/n0Lb36SoODM>



WARRANTY

WARRANTY CLAIMS

- There is a 30-day warranty for broken furniture or any other problems that do not work properly. The warranty will start from the date of purchase which must be verified by proof of purchase.
- Before making a claim, we may be able to answer your query, simply call us. Please leave your purchase order number, along with some details of the problem, if you want a replacement part. We will arrange within 48 hours. If there is out of stock, we will reply with a shipping date.
- The product must be used in accordance with the instructions provided. For health reasons.
- For other reasons, if the furniture needs to be returned, it must be cleaned and dried and operated within 30 days of receipt.

Type of Warranty Claim

- Failure to follow the furniture instructions will invalidate the warranty. Attention please.
- Does not include damage during installation, but includes damage during transportation.

Scope of responsibility

- Shall not bear any responsibility for misuse or user damage and / or loss of parts during the installation of furniture.
- After using, the damage and scratches of the furniture are not covered by the warranty.

The Warranty Relates to All Bought in The Us and Covers The Following Areas

- Sheet parts: 1 month from the date of purchase.
- Electrical parts: 1 month from the date of purchase.

RETURNS

CHANGED YOUR MIND AND NEED TO RETURN YOU ITEM?

PLEASE FOLLOW THE BELOW INSTRUCTIONS:

- If you have purchased and have simply changed your mind, follow the retailer's instructions for returns.

DEFECTIVE ITEMS

- If your item is defective in any way, i.e. it doesn't work but you can't identify why, in the first instance, please call us.

DAMAGED ITEMS

- If you receive an order with obvious shipping damage from the retailer, then we suggest the delivery is refused. If the delivery has been accepted and then shipping damage is found, please follow the specific instructions advised by the retailer.
In all circumstances please save all packaging material and paperwork for the order. Please be aware that if you dispose of packaging material or attempt to return the merchandise without contacting the fulfiller, you jeopardise your chances of making a claim, and you may not receive a credit for the return.

AFTER-SALES CONTACT



adelahu@fufugaga.com



208-820-0068