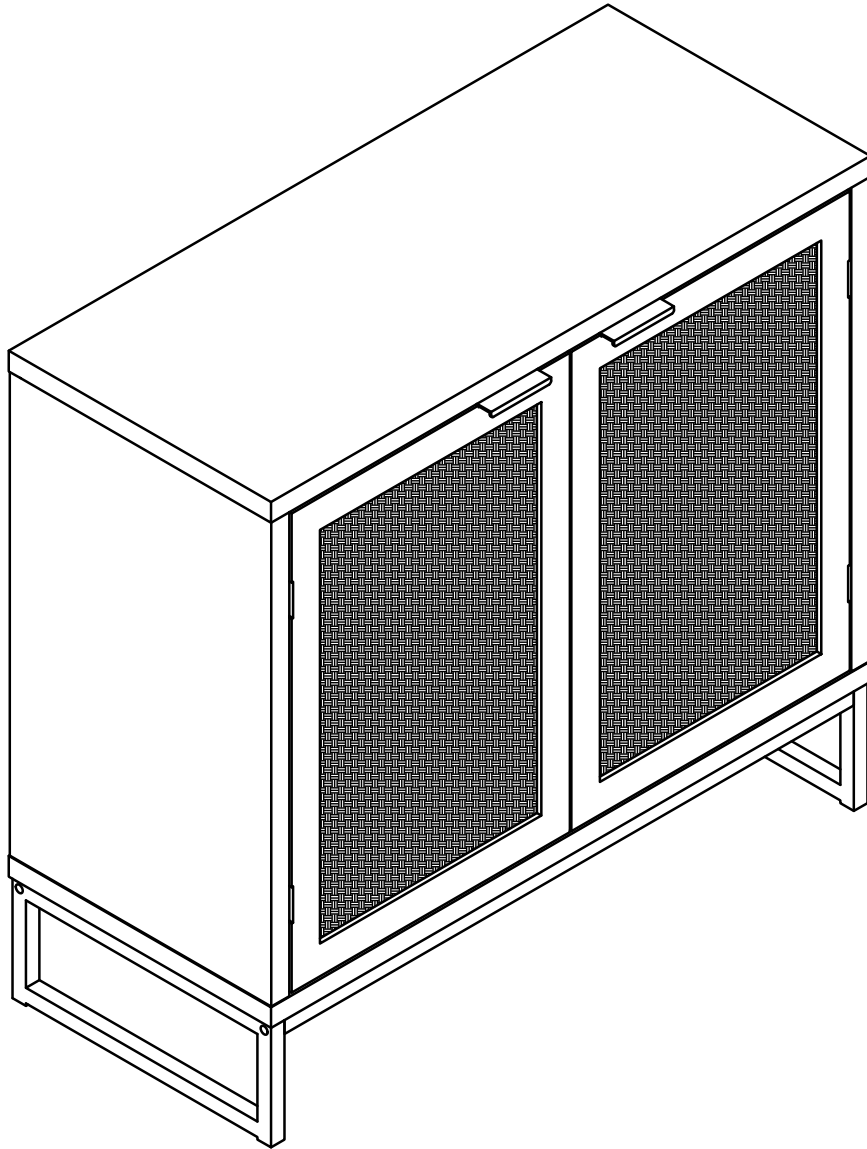


Two Doors Storage Cabinet with Rattan Texture



ASSEMBLY AND CARE GUIDE

1 HOUR
ASSEMBLY TIME

2 PEOPLE
REQUIRED FOR ASSEMBLY

2 x 2 m
FLOOR SPACE REQUIRED

SAFETY PRECAUTIONS

PLEASE READ ALL INSTRUCTIONS CAREFULLY BEFORE ASSEMBLING AND USING THE PRODUCT.

1. Please check that all parts are present, need **Phillips head screwdriver (not included)** before you start the assembly of your furniture.
2. For ease and speed of assembly, we recommend that before you commence each step of the assembly, that you the parts required for that step.
3. For larger items, please ensure that you have sufficient space and people to assemble your product safely.
4. We recommend that, where possible, all items are assembled near to the area in which they will be placed in use, to avoid moving the product unnecessarily once assembled.
5. of your furniture, we recommend that the product is placed on a protected surface during assembly to prevent any damage.
6. During assembly, Do not tighten bolts / screws completely until all bolts / screws are lined up and inserted into holes, Do not over tighten screws and bolts to avoid stripping, Do not use power tools
7. Always place the product on a flat, steady and stable surface.
8. Do not stand on the product. Do not use the product as a stepladder.
9. This product is intended for indoor, household use only as it is a non industrial product.

CARE AND CLEANING

- Please periodically check all fittings and re-tighten as necessary.
- To clean your item, please use a damp cloth and wipe clean.
- Never allow any kind of liquid to remain on your furniture. If liquid spills onto the product, please wipe clean as soon as possible.



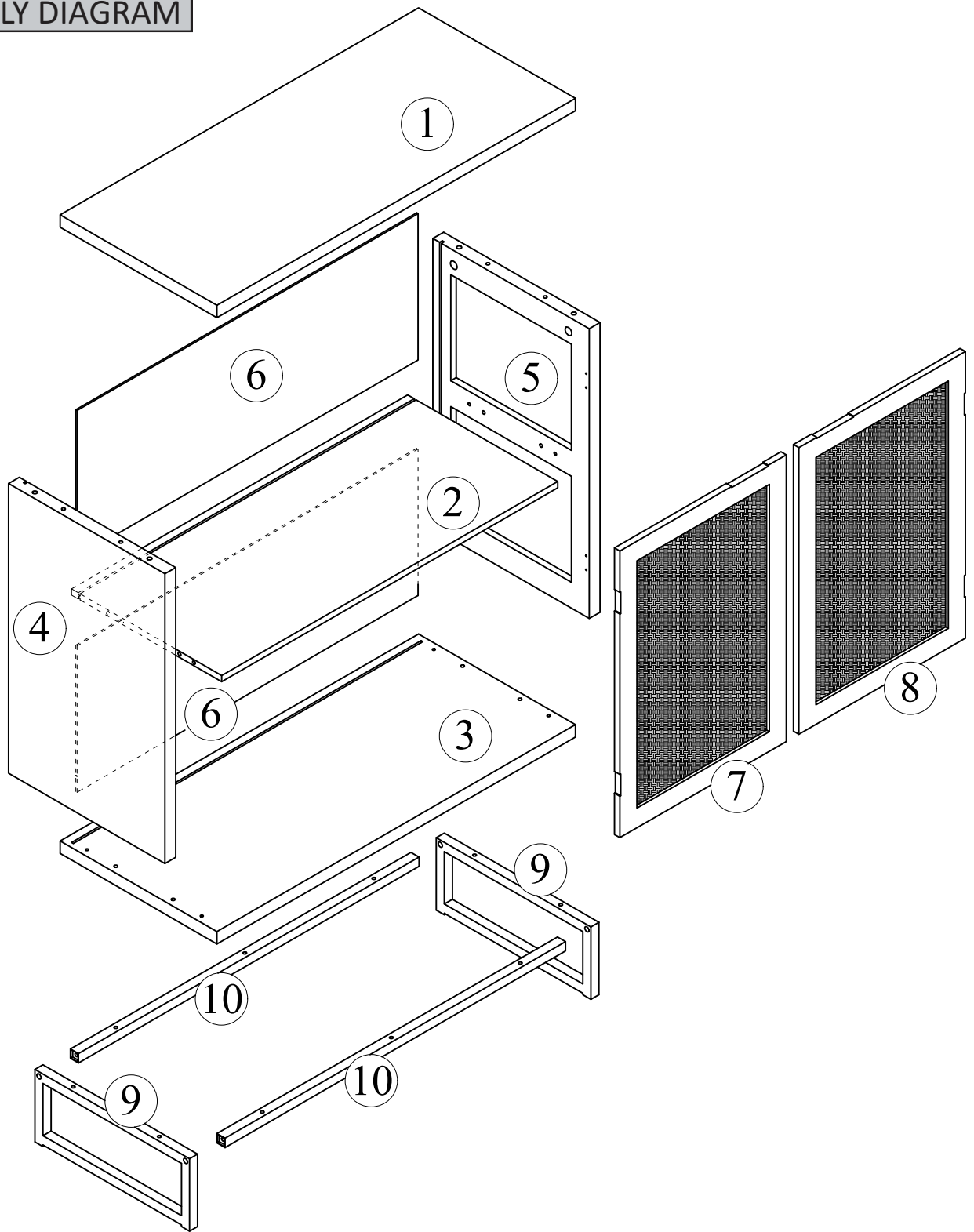
WARNING : ENSURE THE WALL STRAP IS ATTACHED TO
AVOID SERIOUS INJURY

To avoid any serious or fatal injury, this product has been fitted with a wall strap to prevent toppling. We strongly recommend that this product is permanently fixed to the wall or other suitable surface. Fixing devices are not included since different surface materials require different attachments. Please seek professional advice if you are in doubt of what fixing device to use.

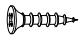
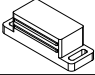
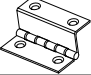
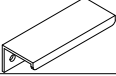

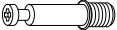

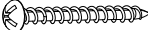


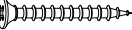

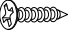

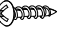

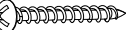

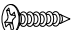
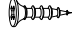
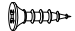
Do not stand on the product. Do not climb on the product. Do not swing on the product.

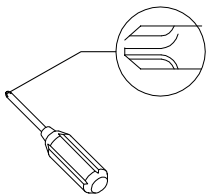
READ AND SAVE THESE INSTRUCTIONS FOR FUTURE REFERENCE

ASSEMBLY DIAGRAM



HARDWARE LIST

| | | | | |
|---|---|-----------|---------------|--------|
| A |  | Φ3.5x12mm | Screw | 16 PCS |
| B |  | | Magnet Plate | 2 PCS |
| C |  | | Hinge | 4 PCS |
| D |  | | Handle | 2 PCS |
| E |  | | Metal Sheet | 4 PCS |
| F |  | Φ6x35mm | Cam Bolt | 8 PCS |
| G |  | Φ15x9mm | Cam Lock | 8 PCS |
| H |  | Φ4x35mm | Screw | 10 PCS |
| I |  | M4 | Allen Key | 1 PC |
| J |  | M6x40mm | Allen Bolt | 4 PCS |
| K |  | Φ4x40mm | Screw | 4 PCS |
| L |  | Φ6x30mm | Wooden Dowel | 12 PCS |
| M |  | Φ3x14mm | Screw | 8 PCS |
| N |  | | Plastic Wedge | 8 PCS |
| O |  | Φ4x14mm | Screw | 2 PCS |
| P |  | | Safety Strap | 2 PCS |
| Q |  | Φ4x30mm | Screw | 2 PCS |
| R |  | | Wall Anchor | 2 PCS |
| S |  | Φ3.5x16mm | Screw | 4 PCS |
| T |  | Φ3x12mm | Screw | 4 PCS |
| U |  | Φ3x12mm | Screw | 4 PCS |

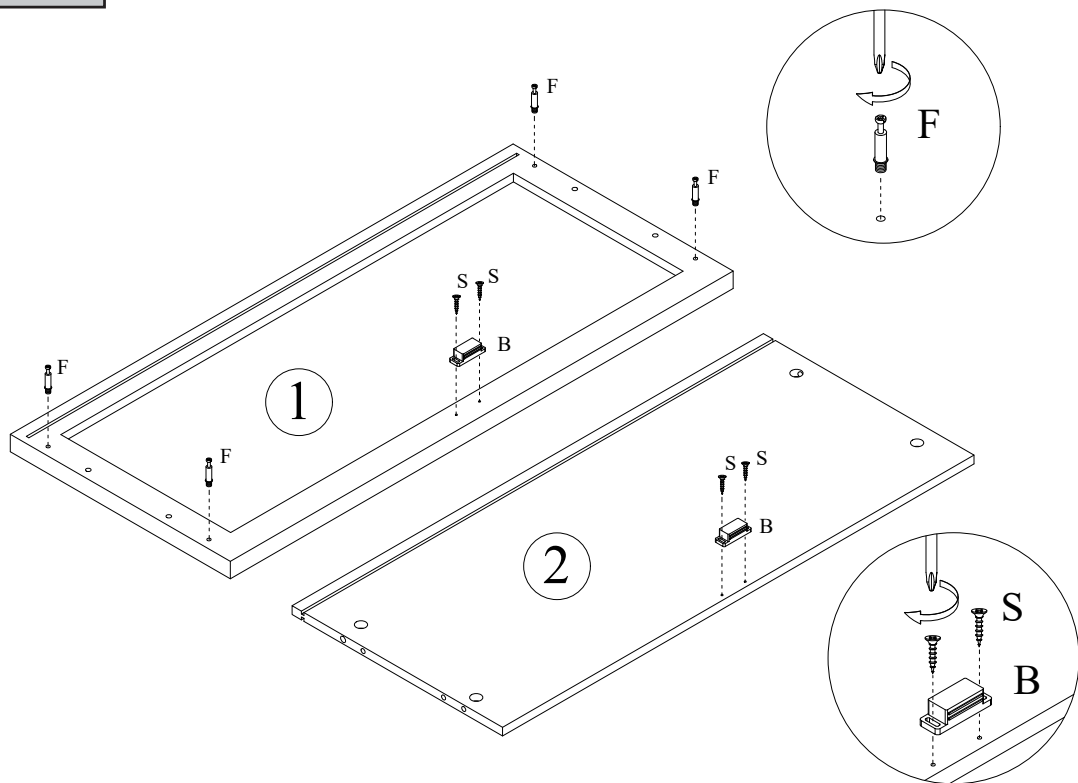
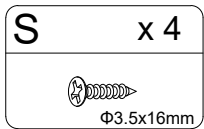
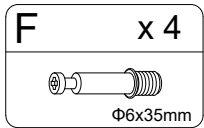
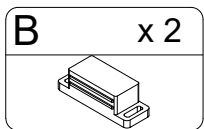


Philips head screwdriver required for assembly
(not included)

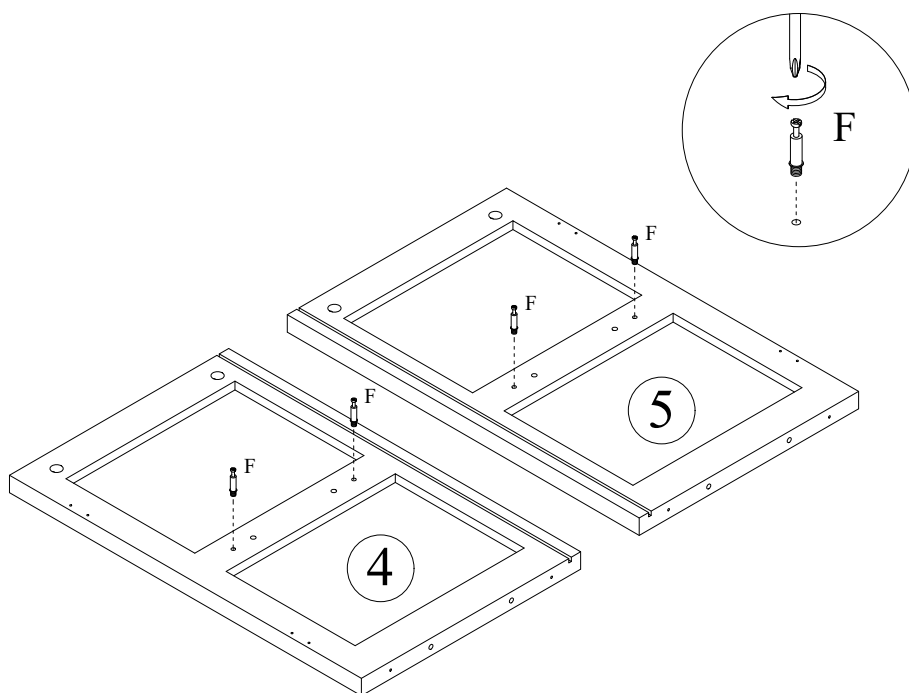
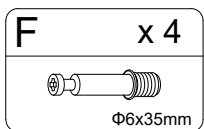
*The hardware quantities listed above are required for proper assembly.
Some extra hardware may also have been included.*

ASSEMBLY STEPS

STEP 1.

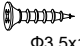


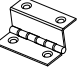
STEP 2.

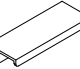



ASSEMBLY STEPS

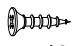
STEP 3.

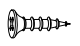
A x 8

 Φ3.5x12mm

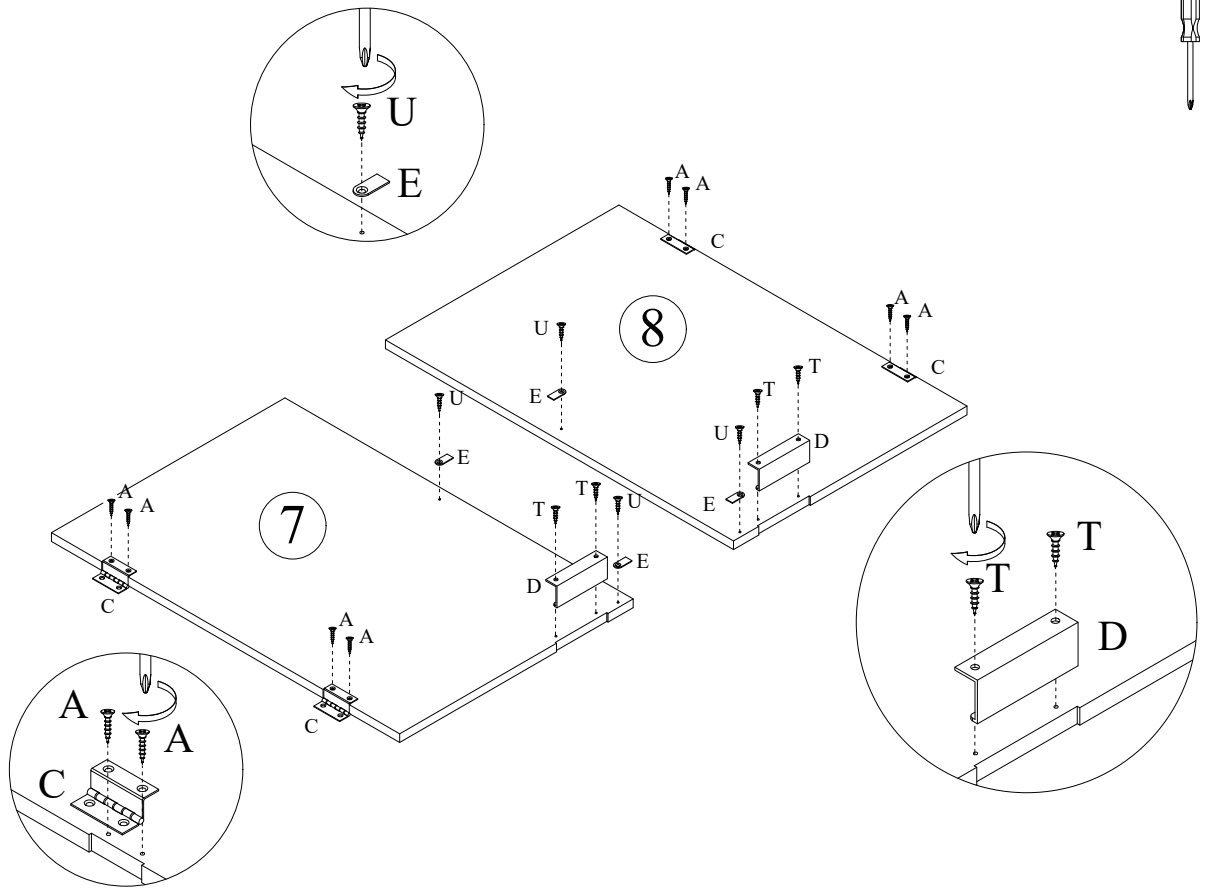
C x 4


D x 2



E x 4



T x 4

 Φ3x12mm

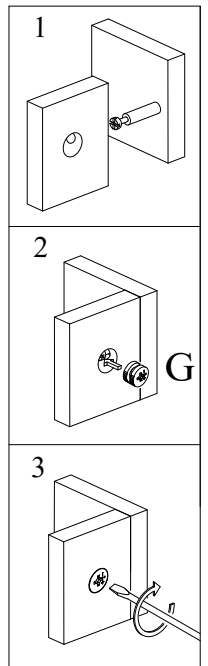
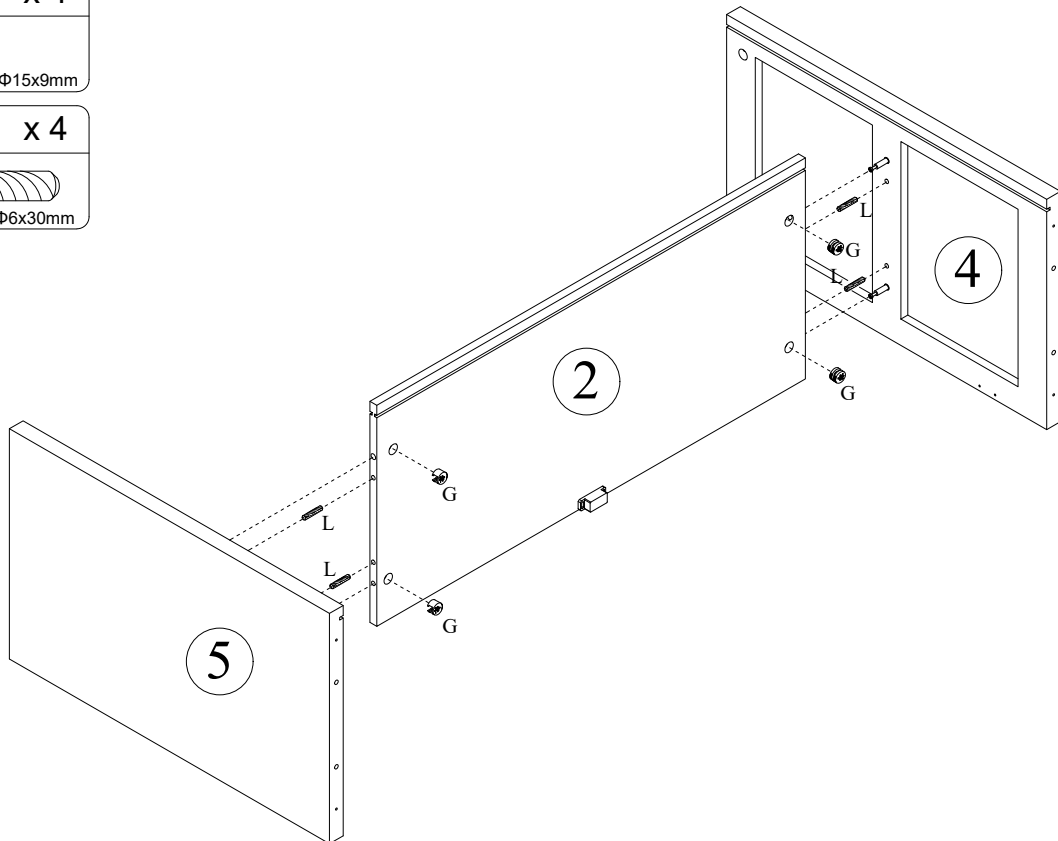
U x 4

 Φ3x12mm



STEP 4.

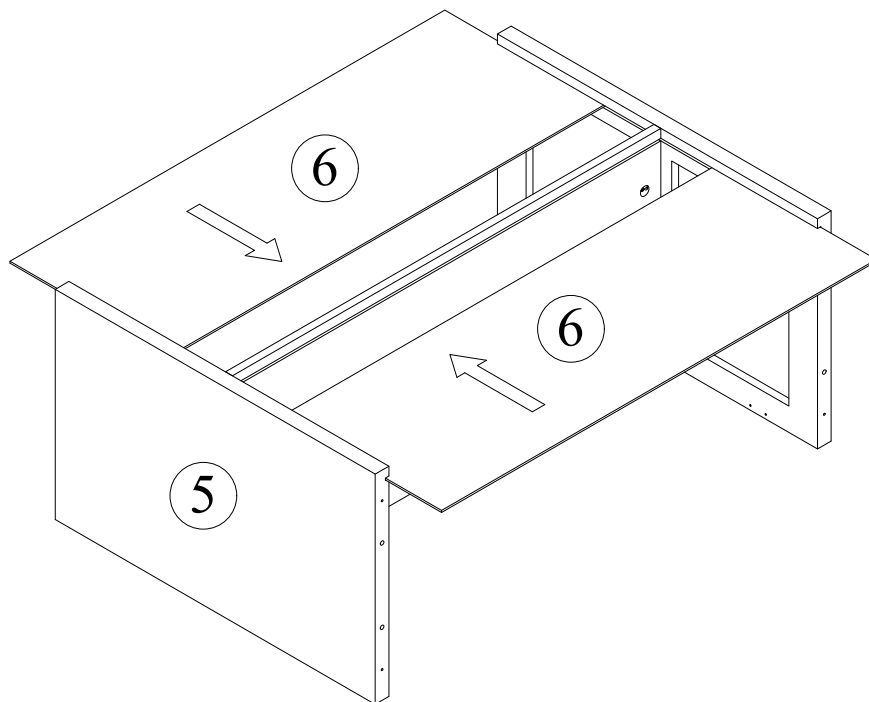
G x 4

 Φ15x9mm

L x 4

 Φ6x30mm

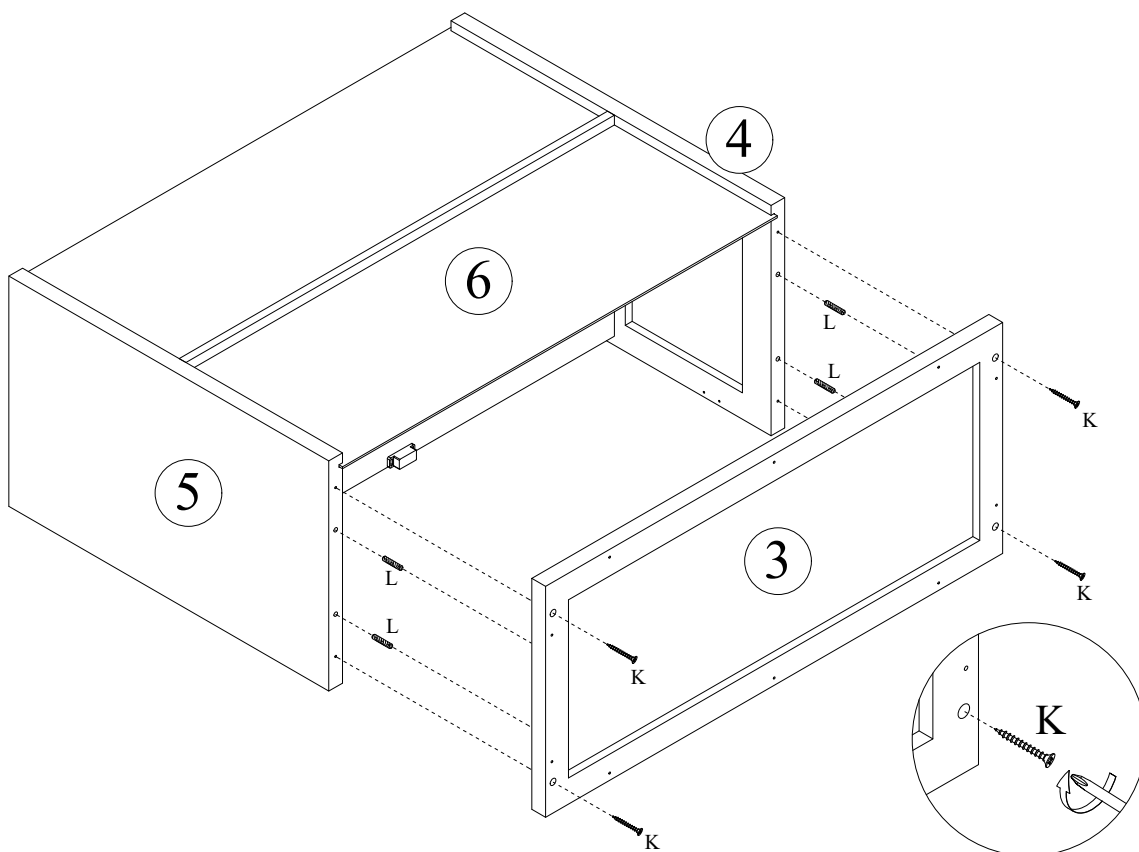
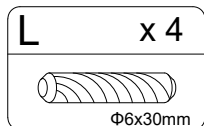
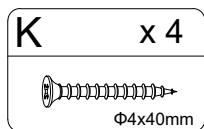


ASSEMBLY STEPS

STEP 5.

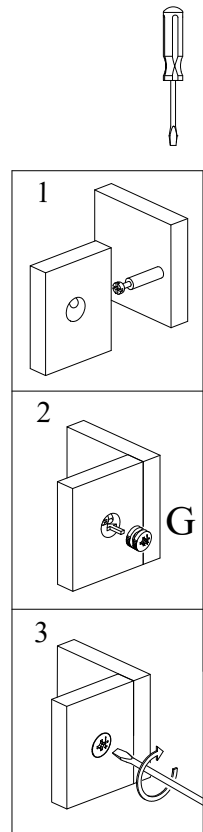
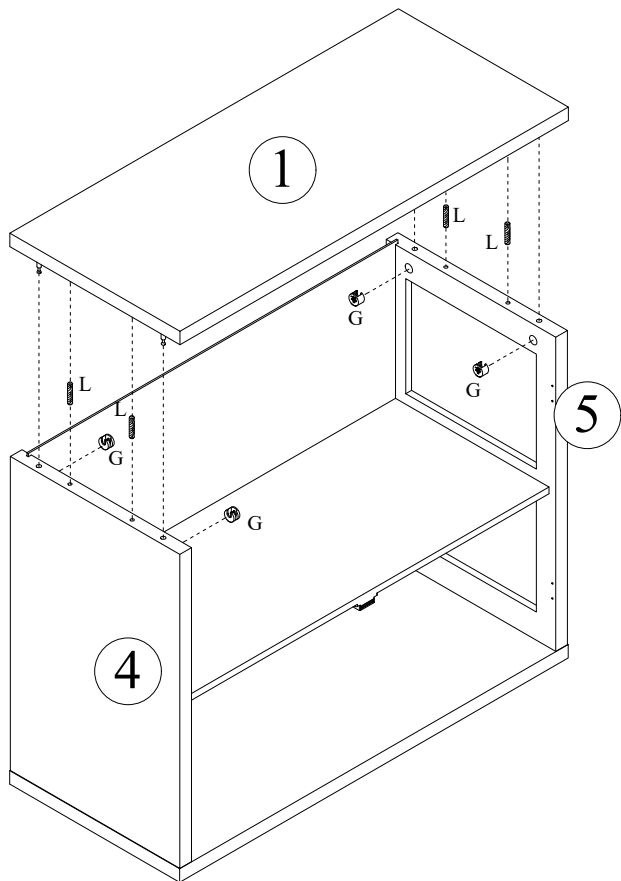
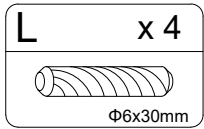
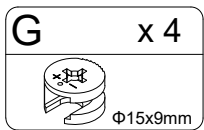


STEP 6.

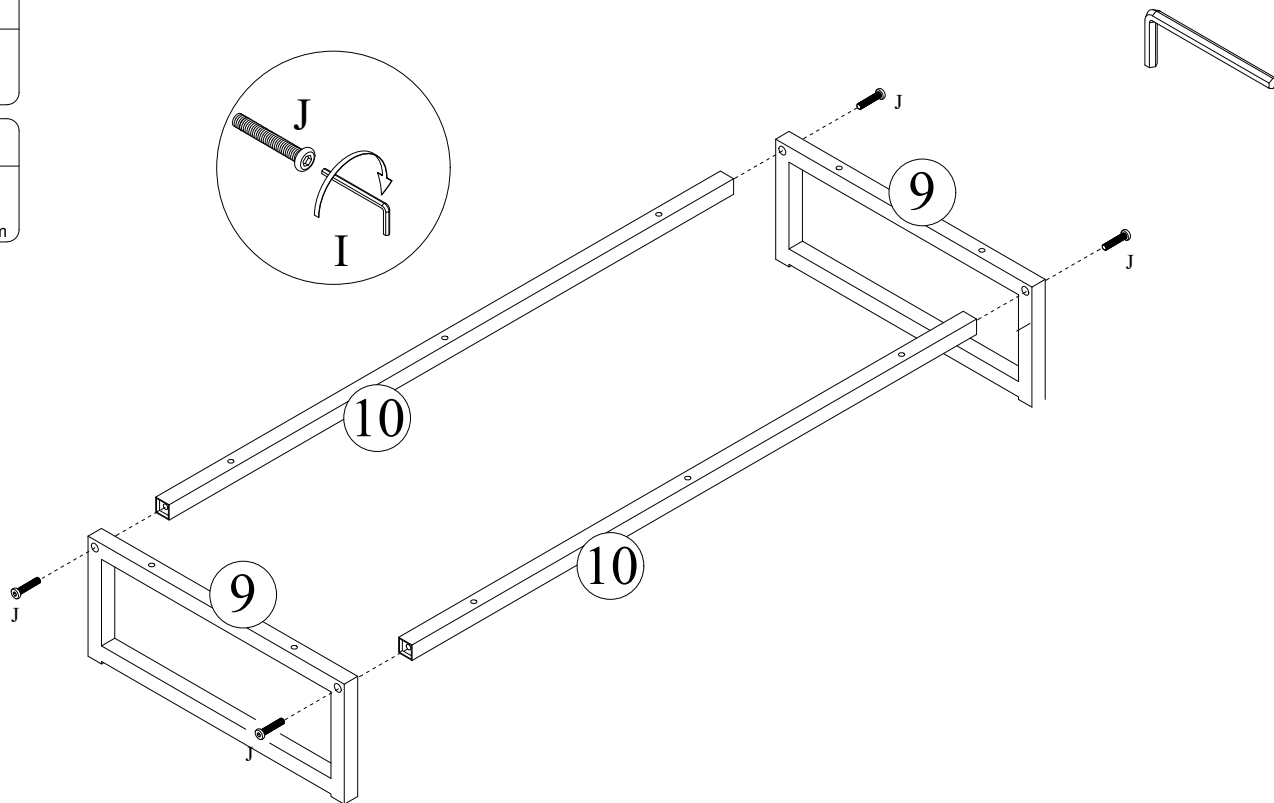
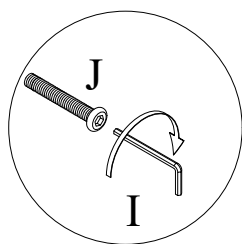
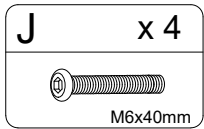
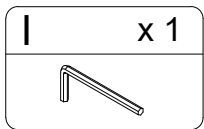


ASSEMBLY STEPS

STEP 7.

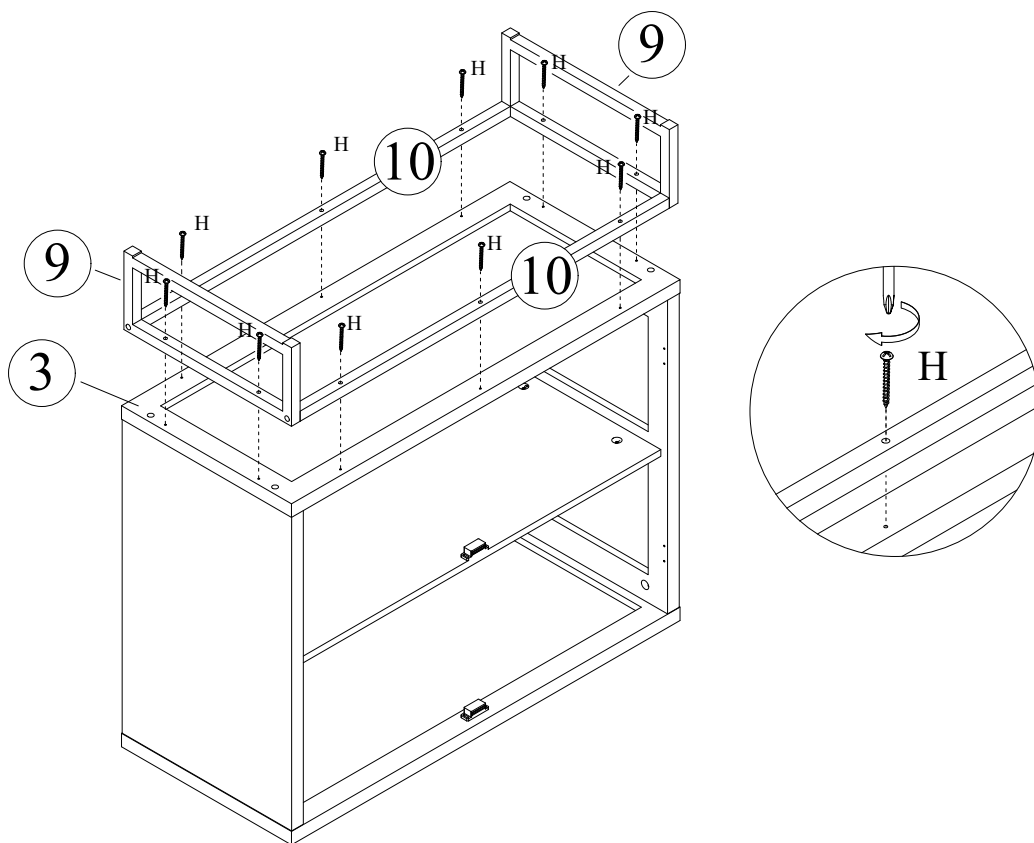
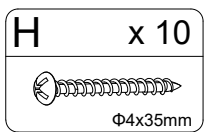


STEP 8.

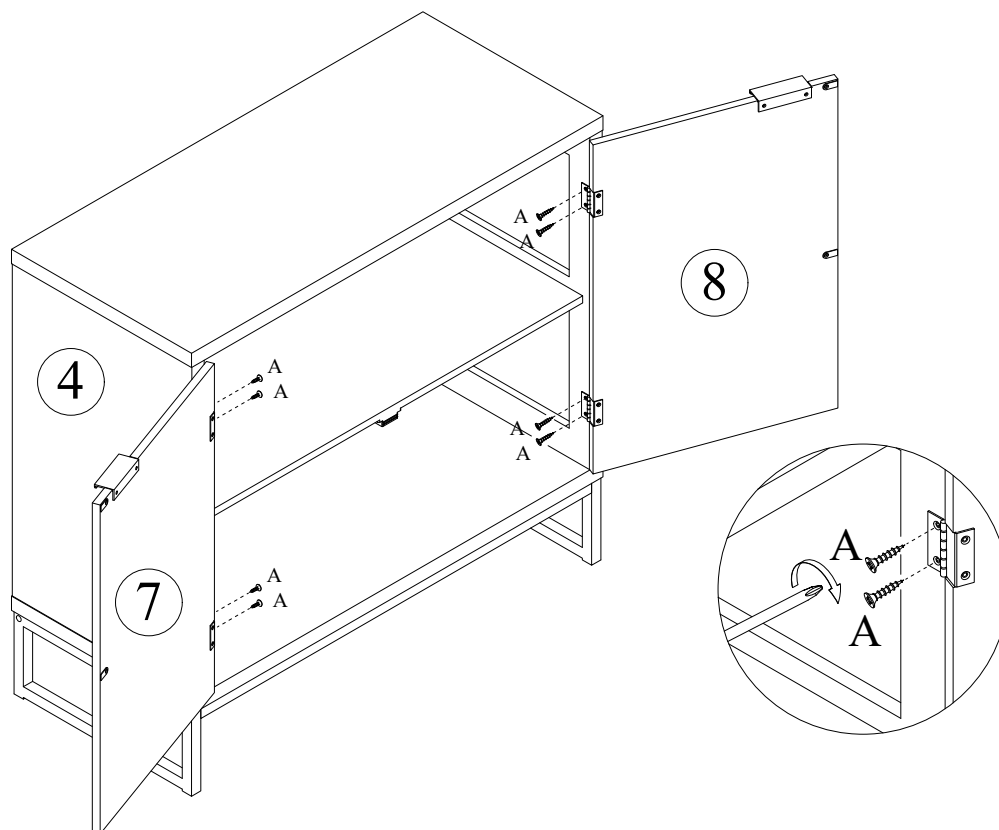
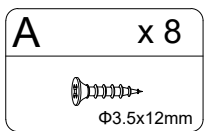


ASSEMBLY STEPS

STEP 9.





STEP 10.





ASSEMBLY STEPS

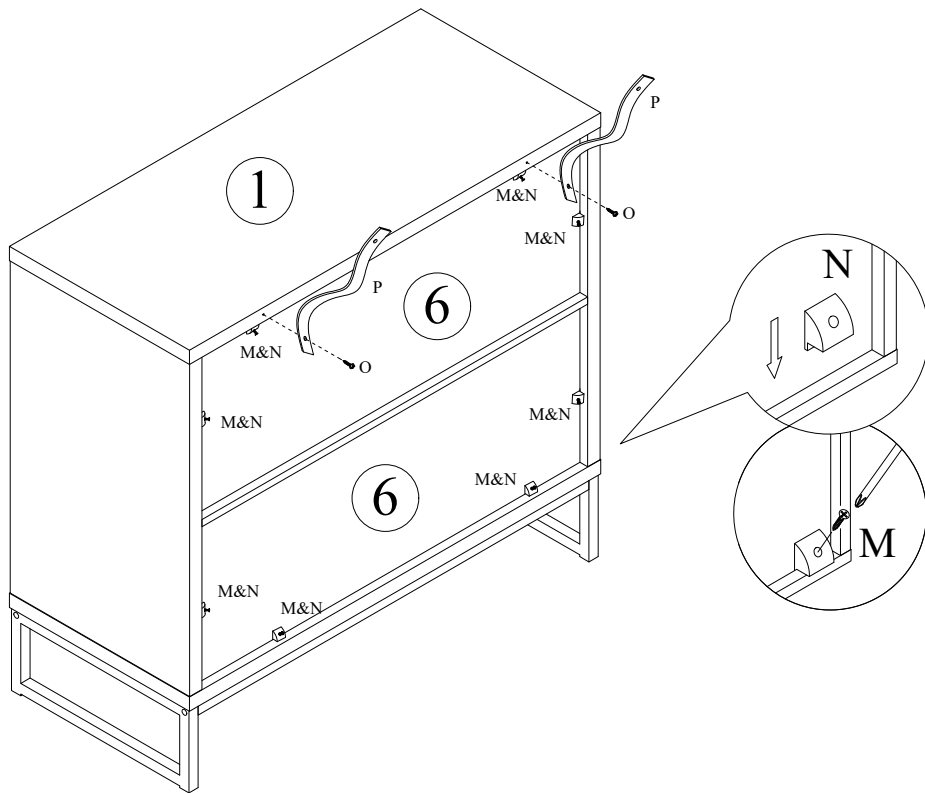
STEP 11.

M x 8

 Φ3x14mm


N x 8



O x 2

 Φ4x14mm

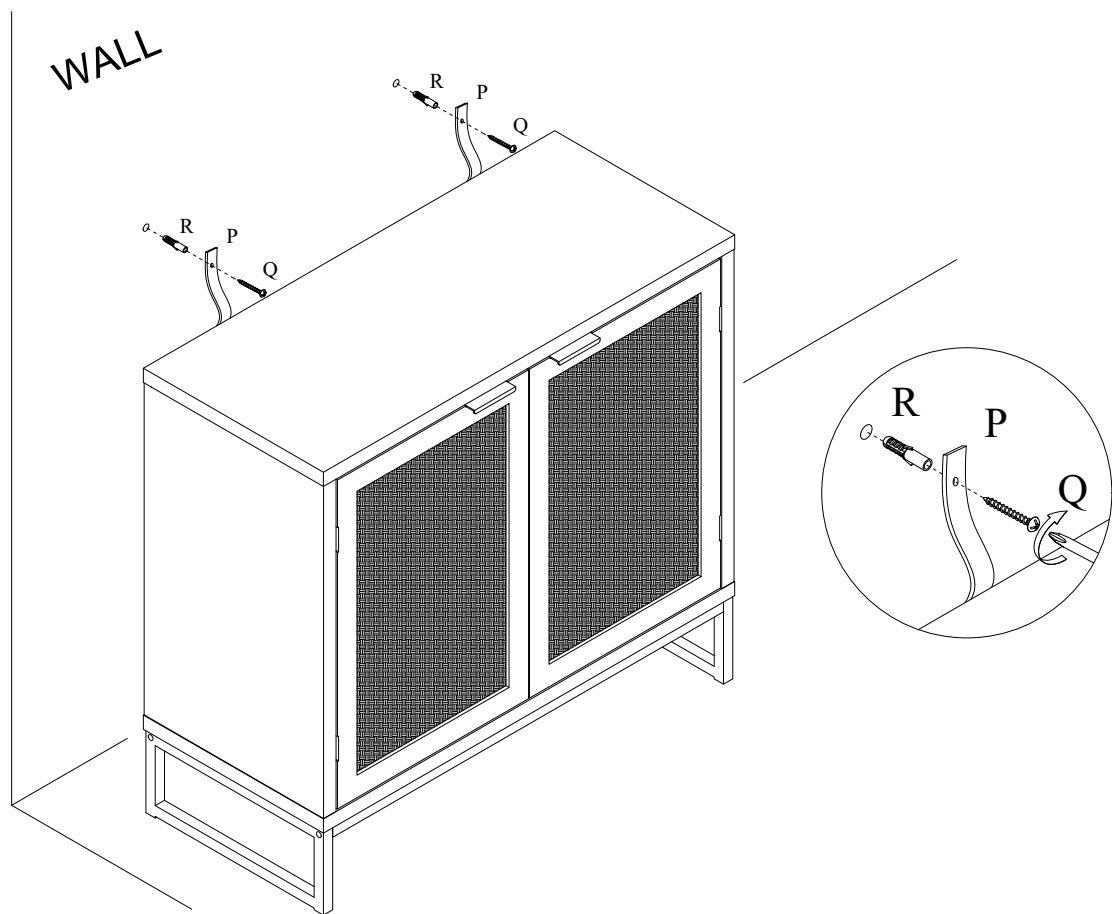
P x 2




STEP 12.

Q x 2

 Φ4x30mm

R x 2




WALL FIXING GUIDE

NOTE: Supplied wall plugs are only suitable for use in masonry walls.

If you have any doubts about using the correct plug for your wall, please seek professional advice. Failure of the product due to using incorrect fixings is the responsibility of the installer.



IMPORTANT:

When drilling into walls, always check for hidden wires or pipes, etc.



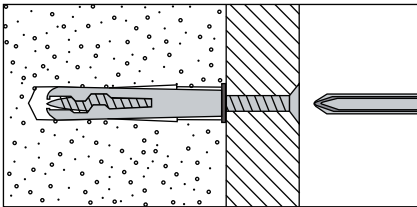
Tips & Tricks

Make sure that the hardware used is suitable for your unit.
Please consult a qualified trades person if unsure.

- If you are unsure, please select a larger screw and wall plug.
- Ensure that you use the recommended drill bit to match the wall plug and hole size.
- Take extra care when drilling high walls, inserted beyond the thickness of the cracking.
- Ensure that wall plugs are well fitted and are a fit in the drilled hole.

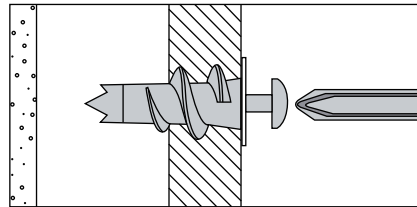
Types of Walls

Use one of the following types of wall plug (not included) if your walls are made of brick, breeze block, concrete, stone or wood. Screws may be able to be fixed directly to solid wood walls as they will provide a secure anchor point.



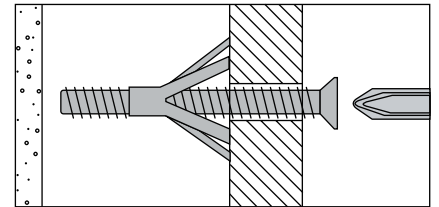
1. General Purpose Wall Plug

Generally, aerated blocks should not be used to support heavy loads, use a specialist fitting in this case. For light loads, general purpose wall plugs can be used.



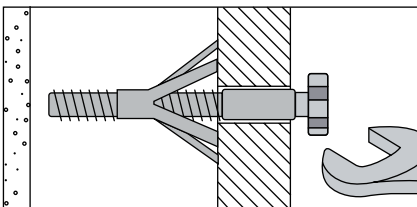
2. Plasterboard Wall Plug

For use with plasterboard for light loads onto solid walls.



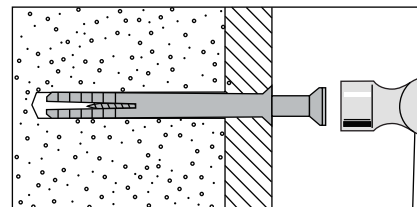
3. Cavity Fixing Wall Plug

For use with plasterboard or hollow walls, or wooden doors.



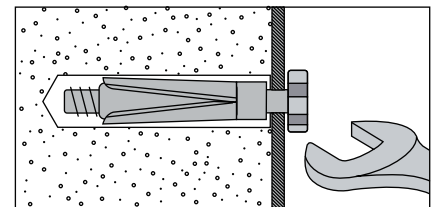
4. Cavity Fixing Heavy Duty Wall Plug

For use when fitting or supporting heavy loads such as shelving and wall cabinets.



5. Hammer Fixing Wall Plug

For use with concrete block or brick walls, or walls stuck with plasterboard. The hammer fixing allows it to be fixed to the wall rather than the plasterboard. Always check the fixing is secure to the retaining wall.



6. Shield Anchor Wall Plug Heavy Loads

For use with concrete or brick walls, or for use with heavier loads such as TV & HiFi speakers and satellite dishes, etc.