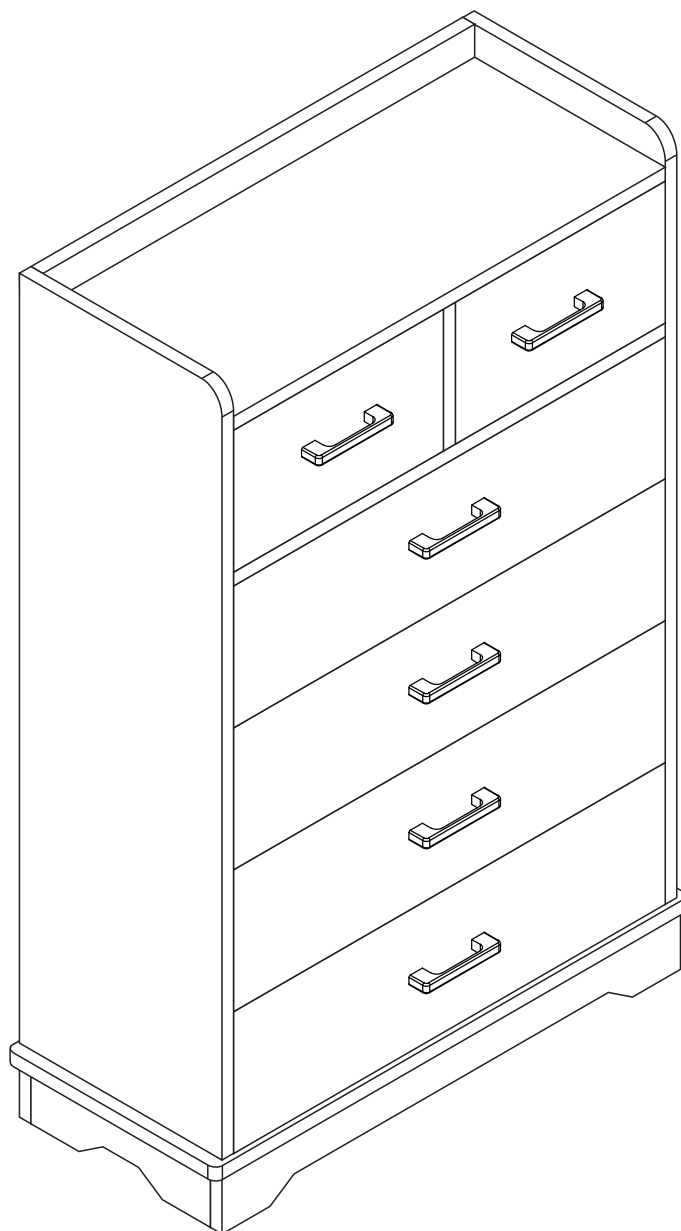
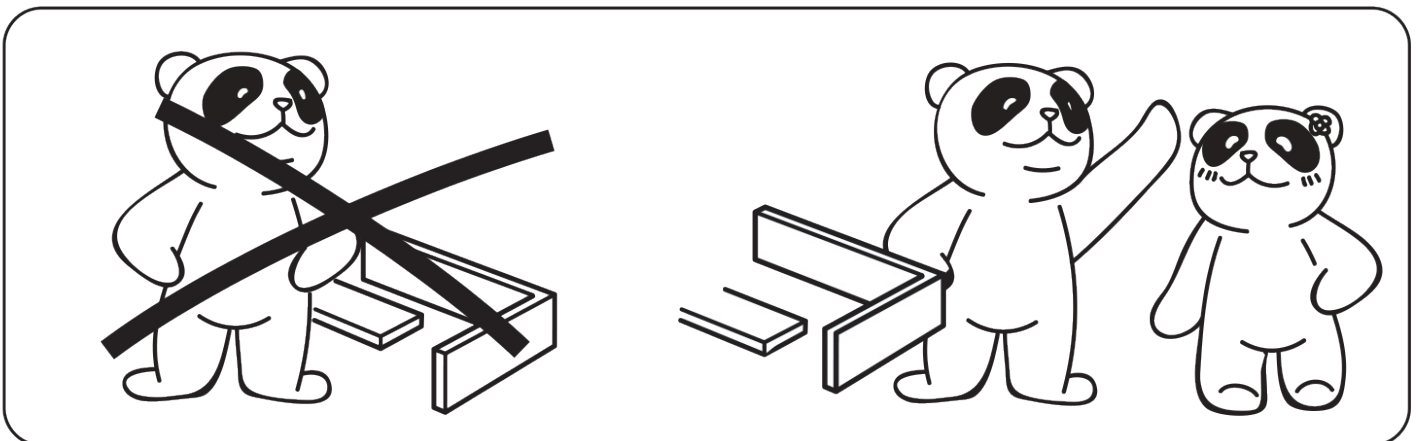
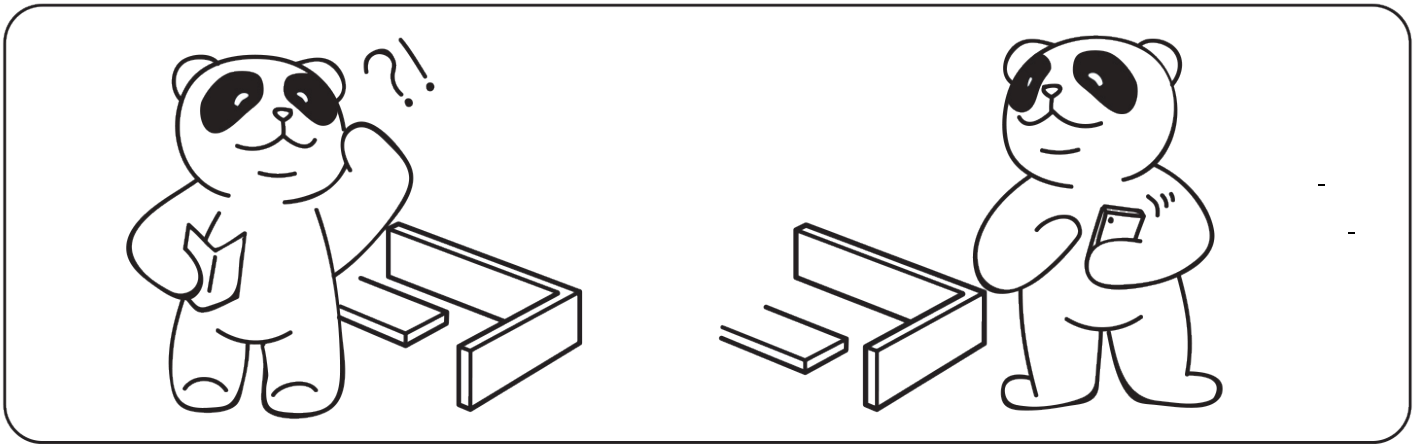
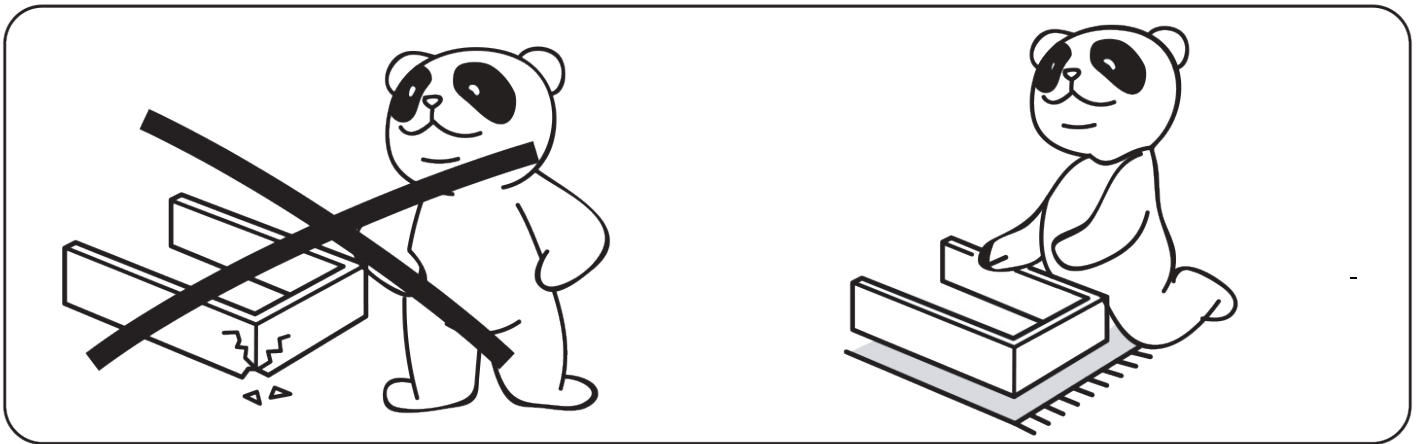
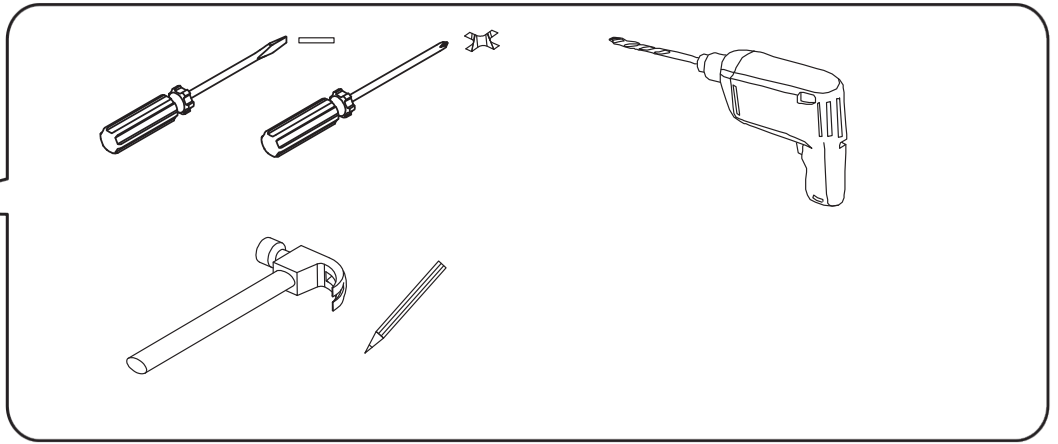


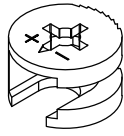
Chest of drawers







Ø28mm
A x68



Ø15x 9 mm
B x68



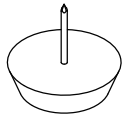
Ø6x30mm
C x31



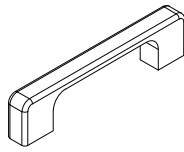
Ø3.5x12mm
D x72



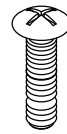
Ø5x40mm
E x38



F x4



G x6



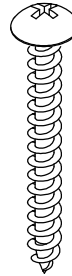
Ø4x15mm
H x12



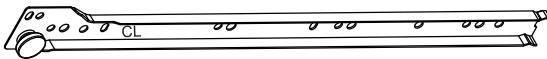
Ø3.5x20mm
L x4



J x2



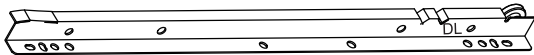
Ø3.5x20mm



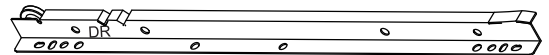
CL
350MM
x6



CR
350MM
x6

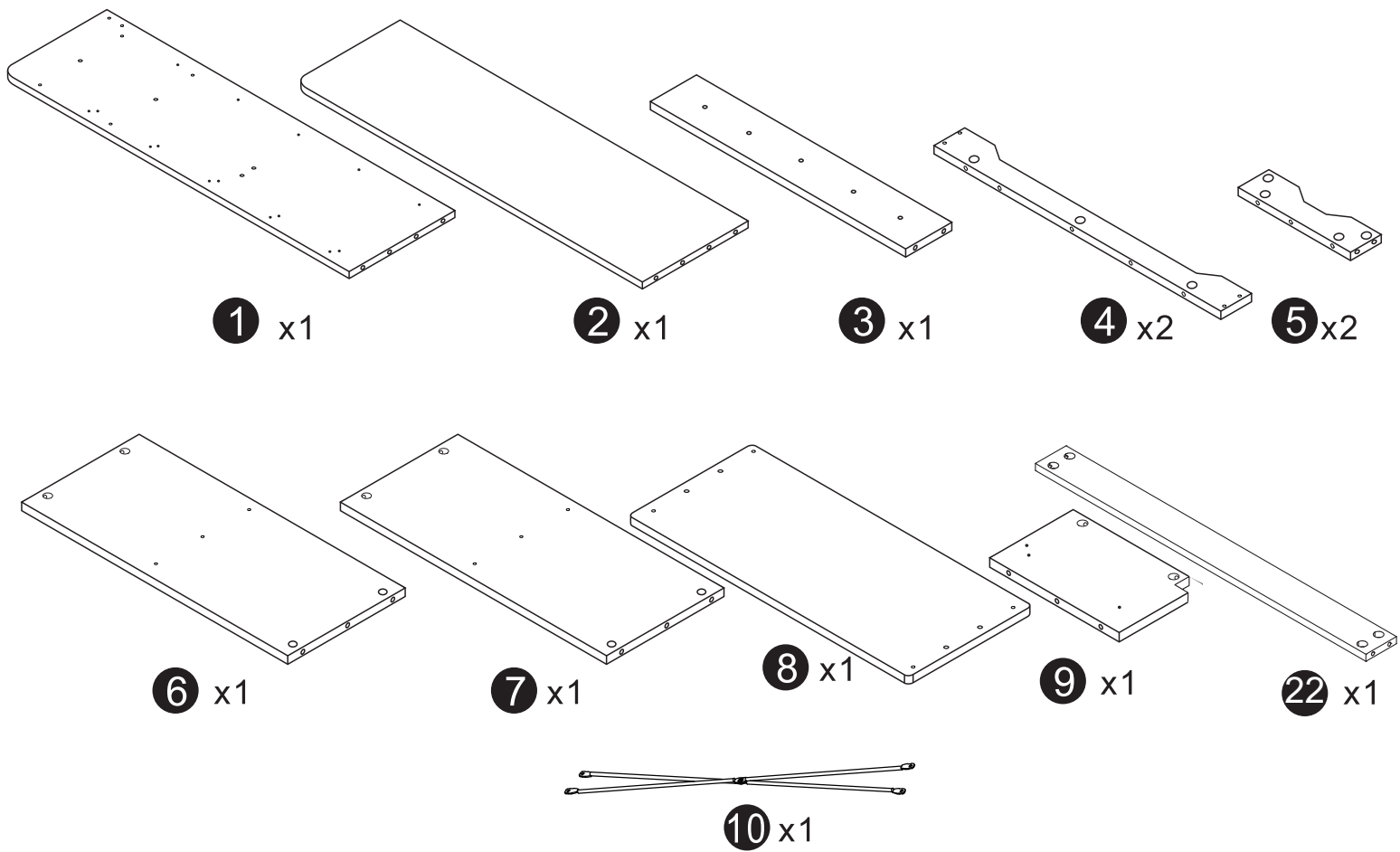


DL
350MM
x6

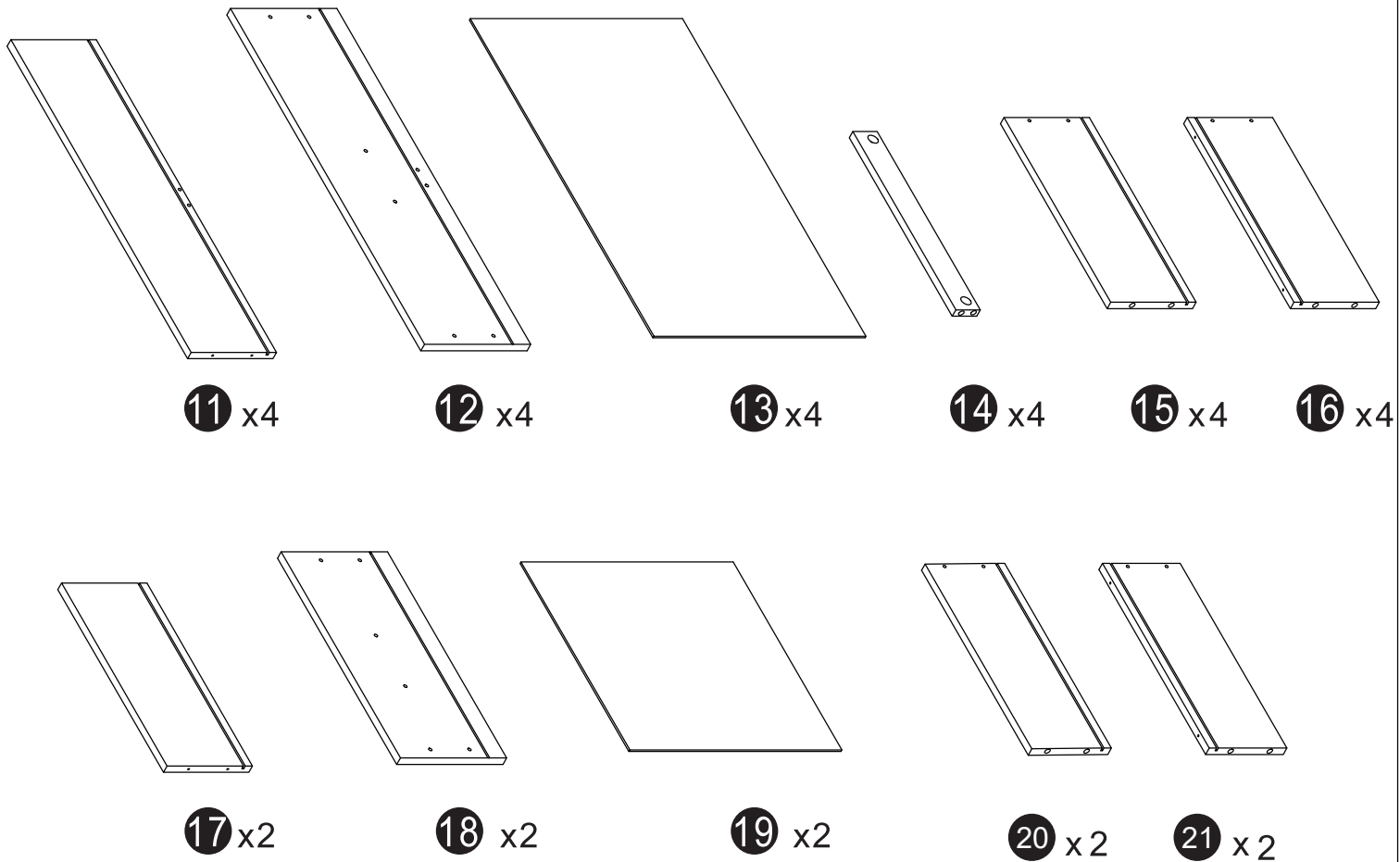


DR
350MM
x6

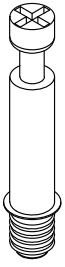
Mounting frame



Drawer installation

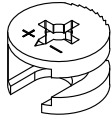


Mounting frame



Ø28mm

A x 32



Ø15x 9 mm

B x 32



Ø6x30mm

C x 17



Ø3.5x12mm

D x 36

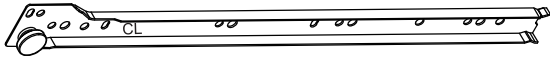


Ø5x40mm

E x 14

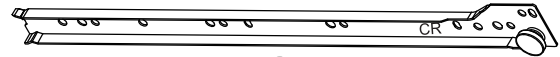


F x 4



CL

x6



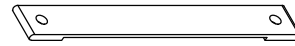
CR

x6

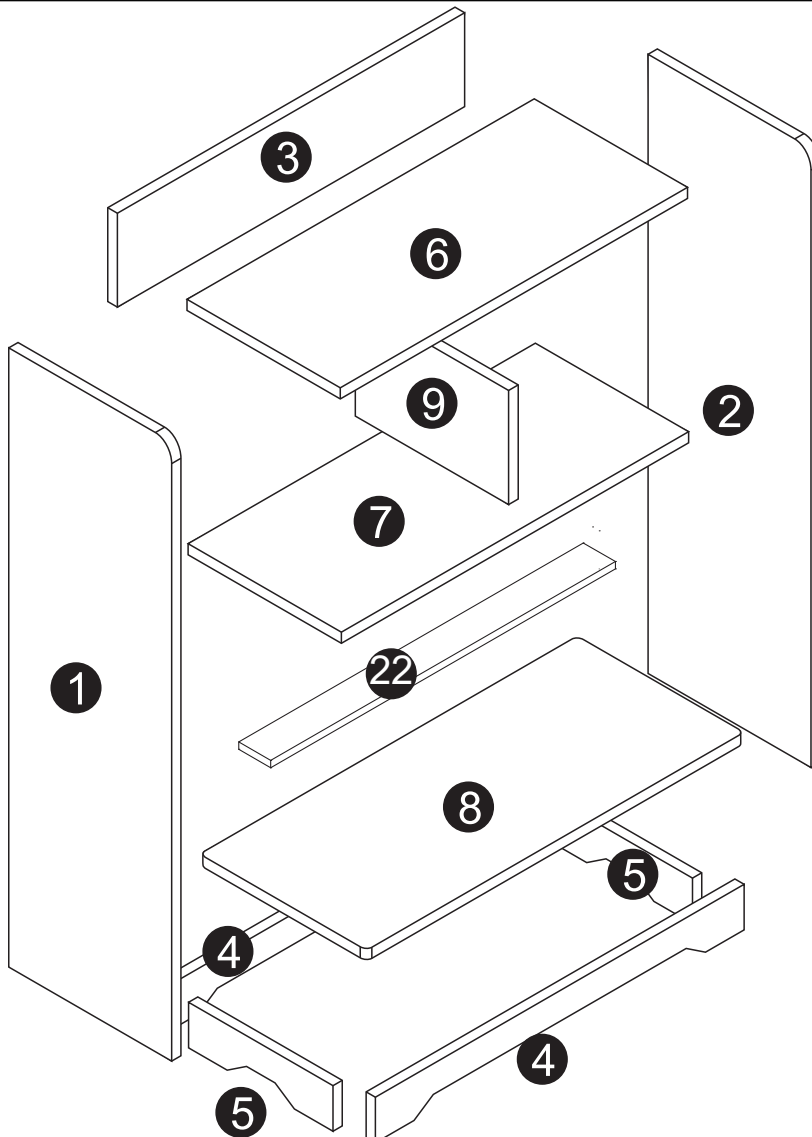


Ø3.5x20mm

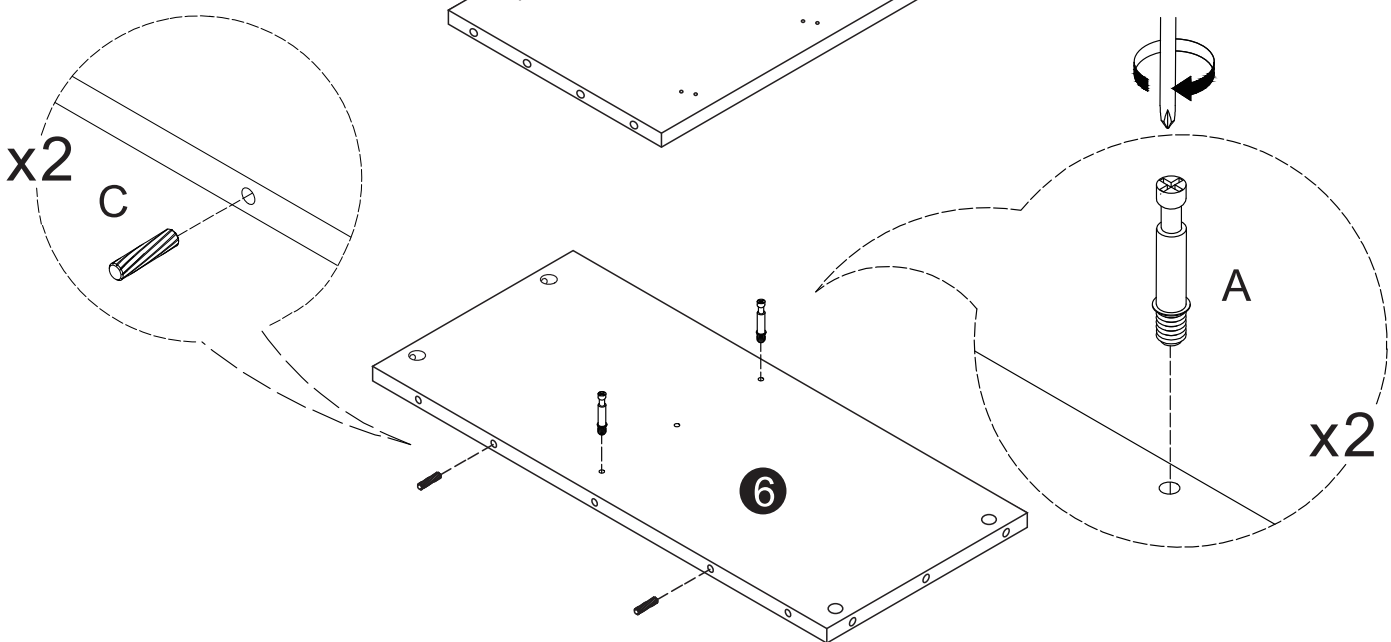
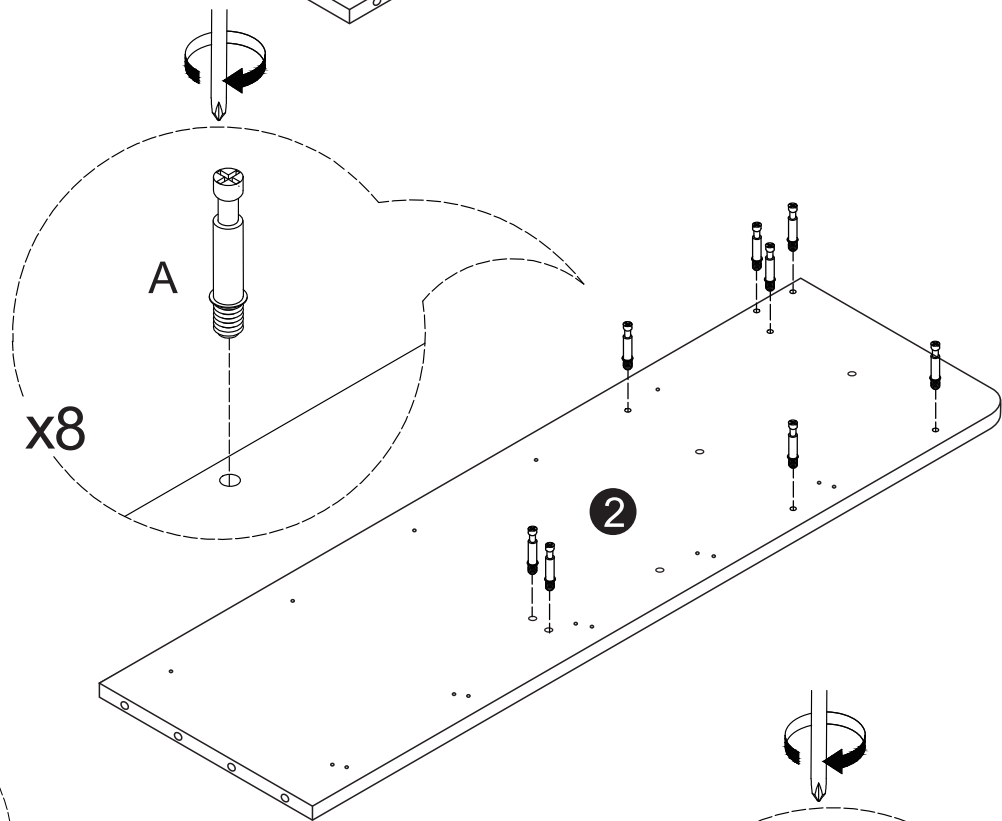
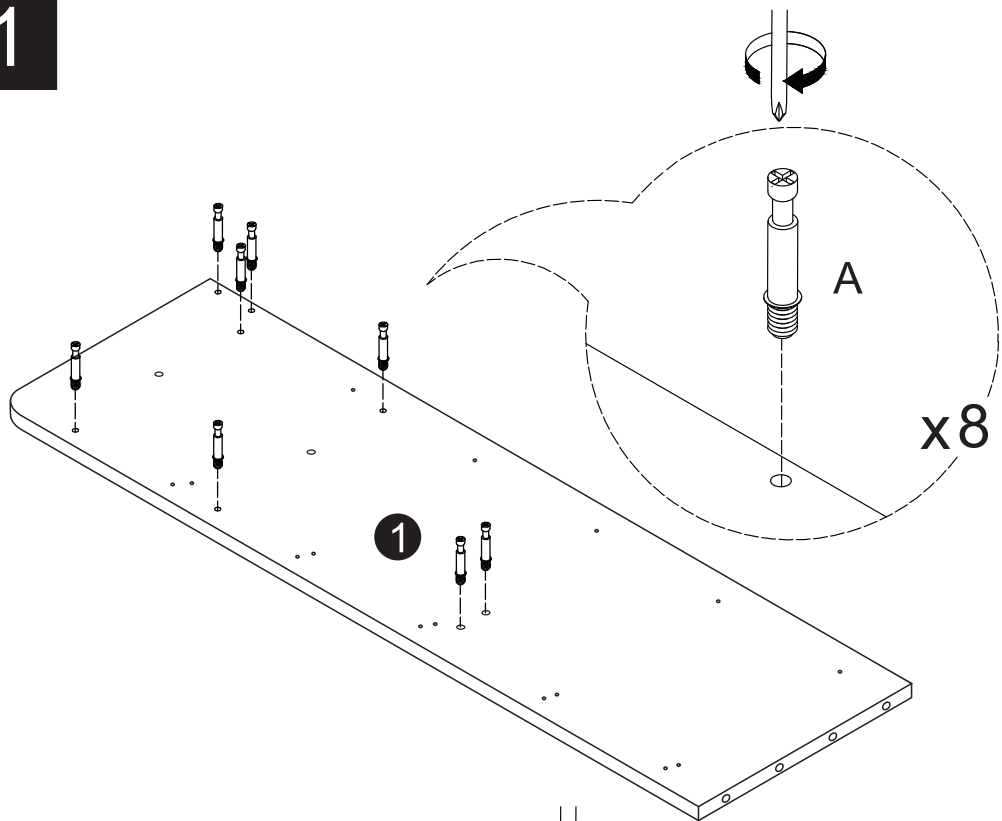
L x 4

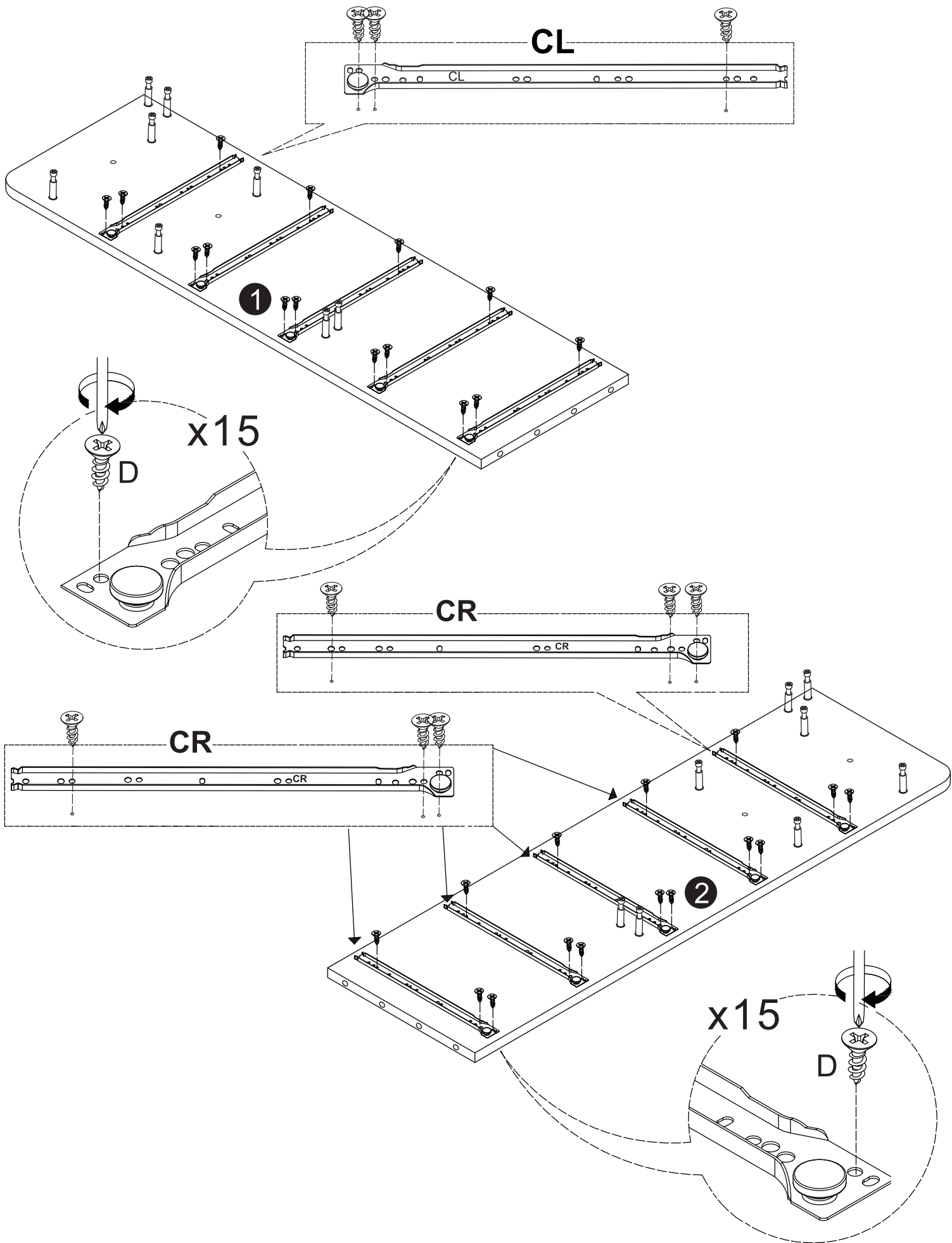


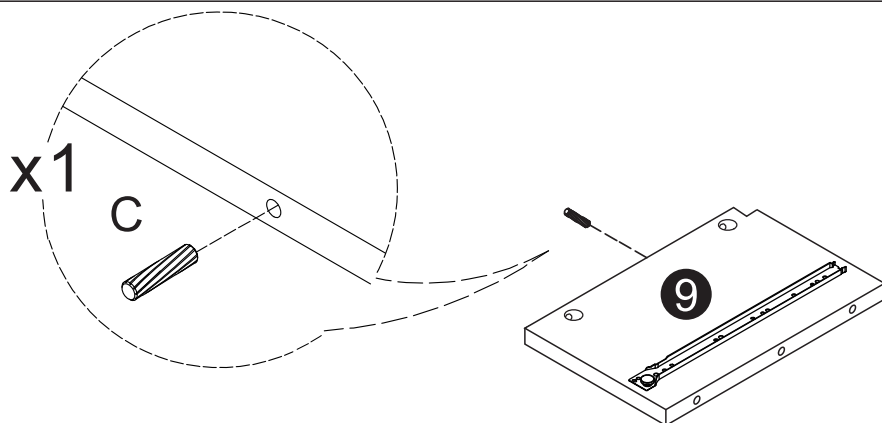
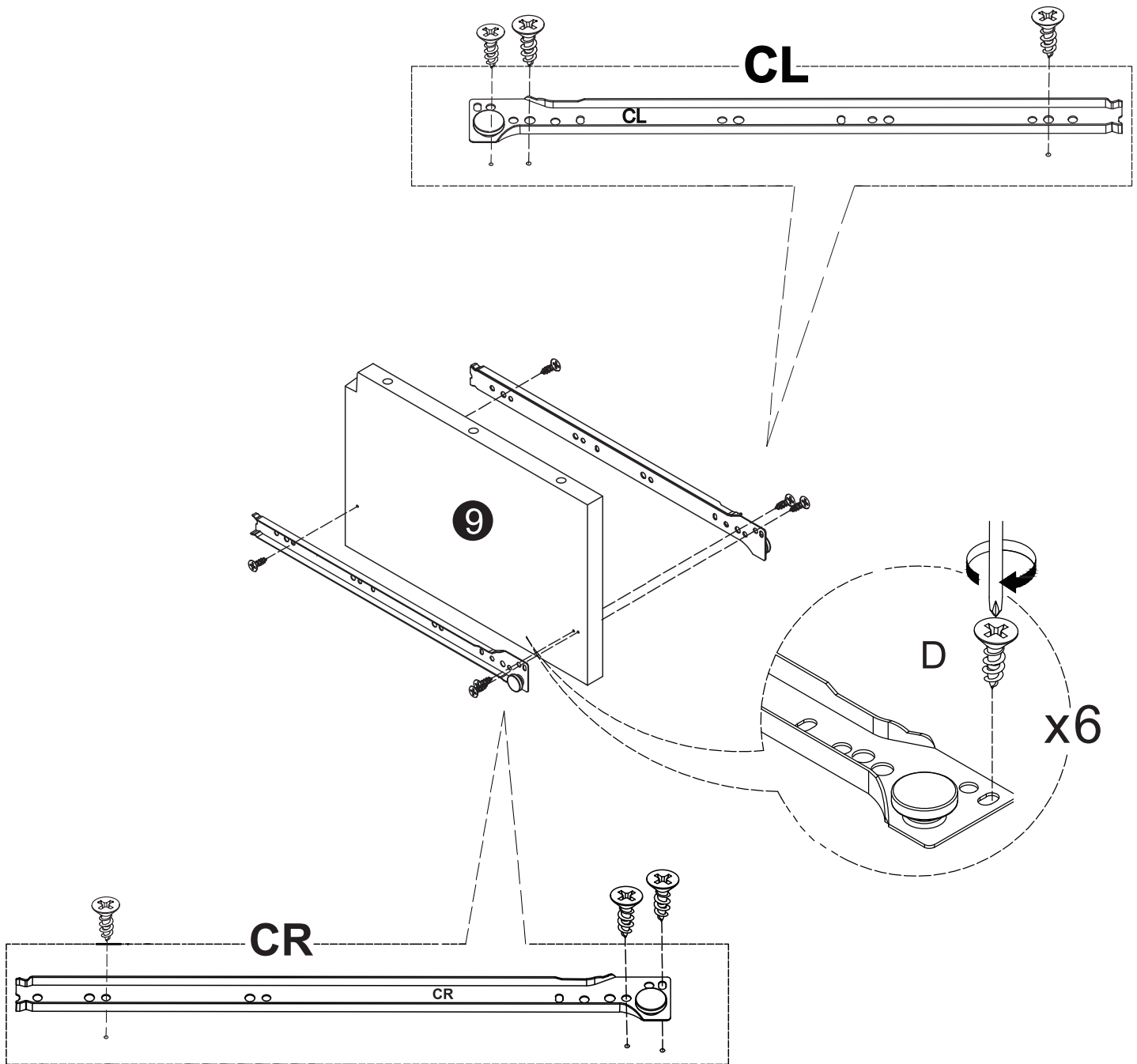
J x 2



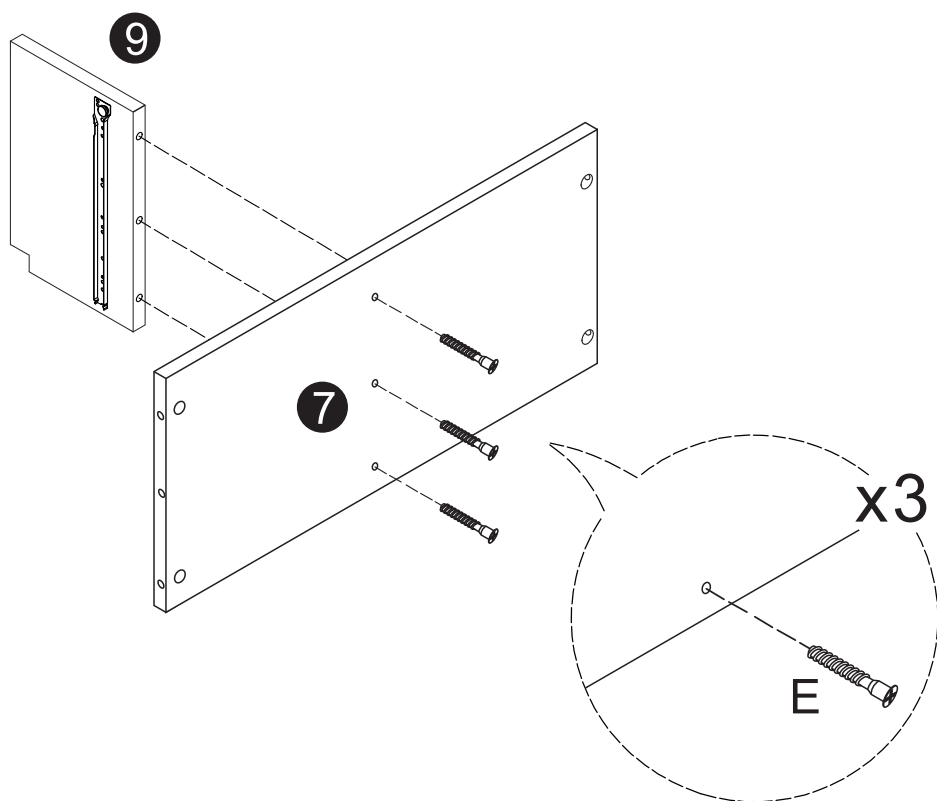
1



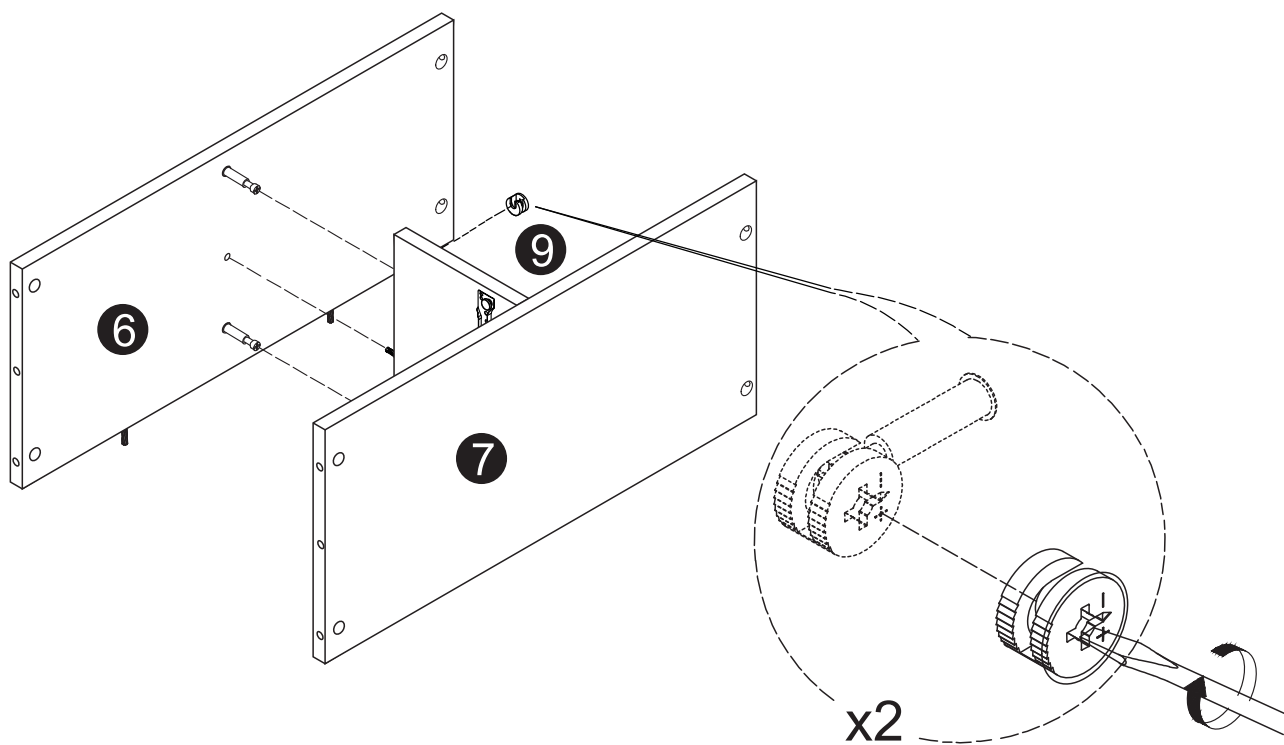




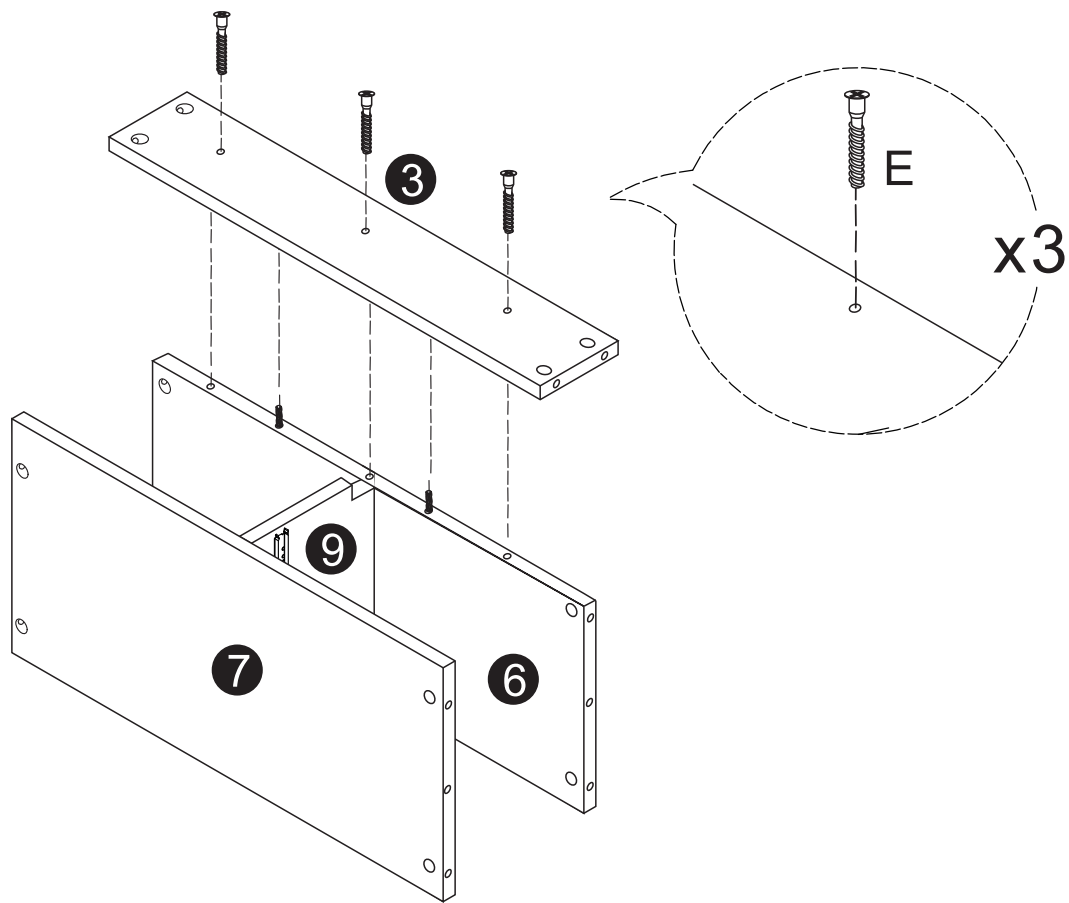
4



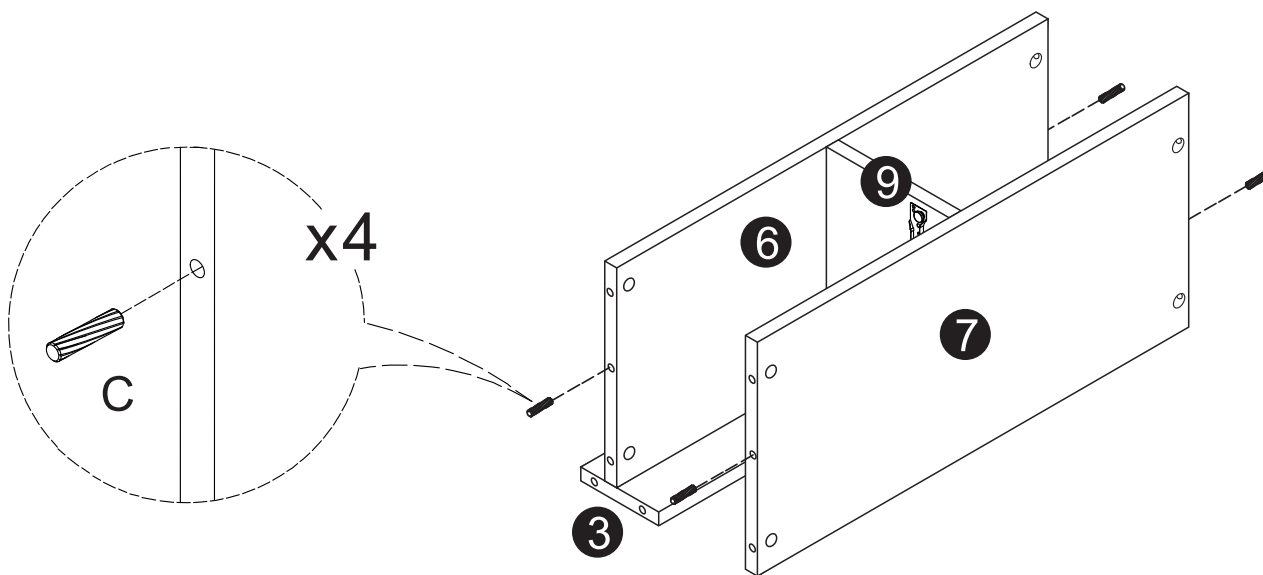
5



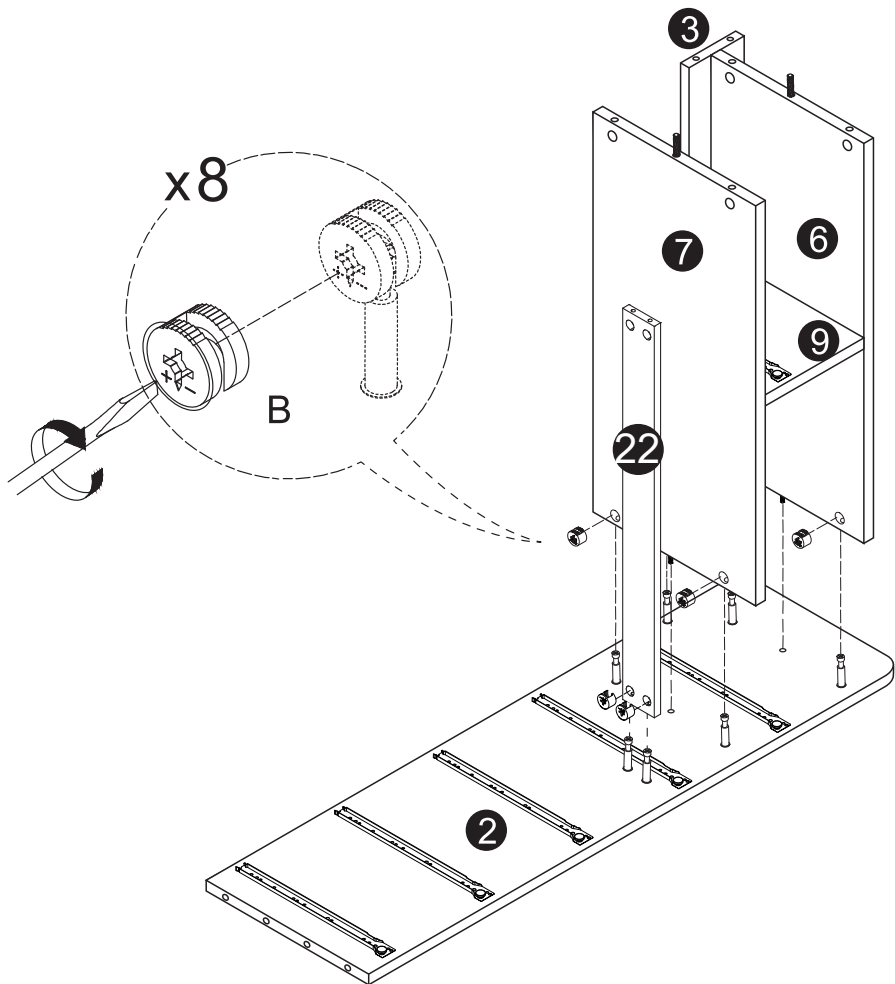
6



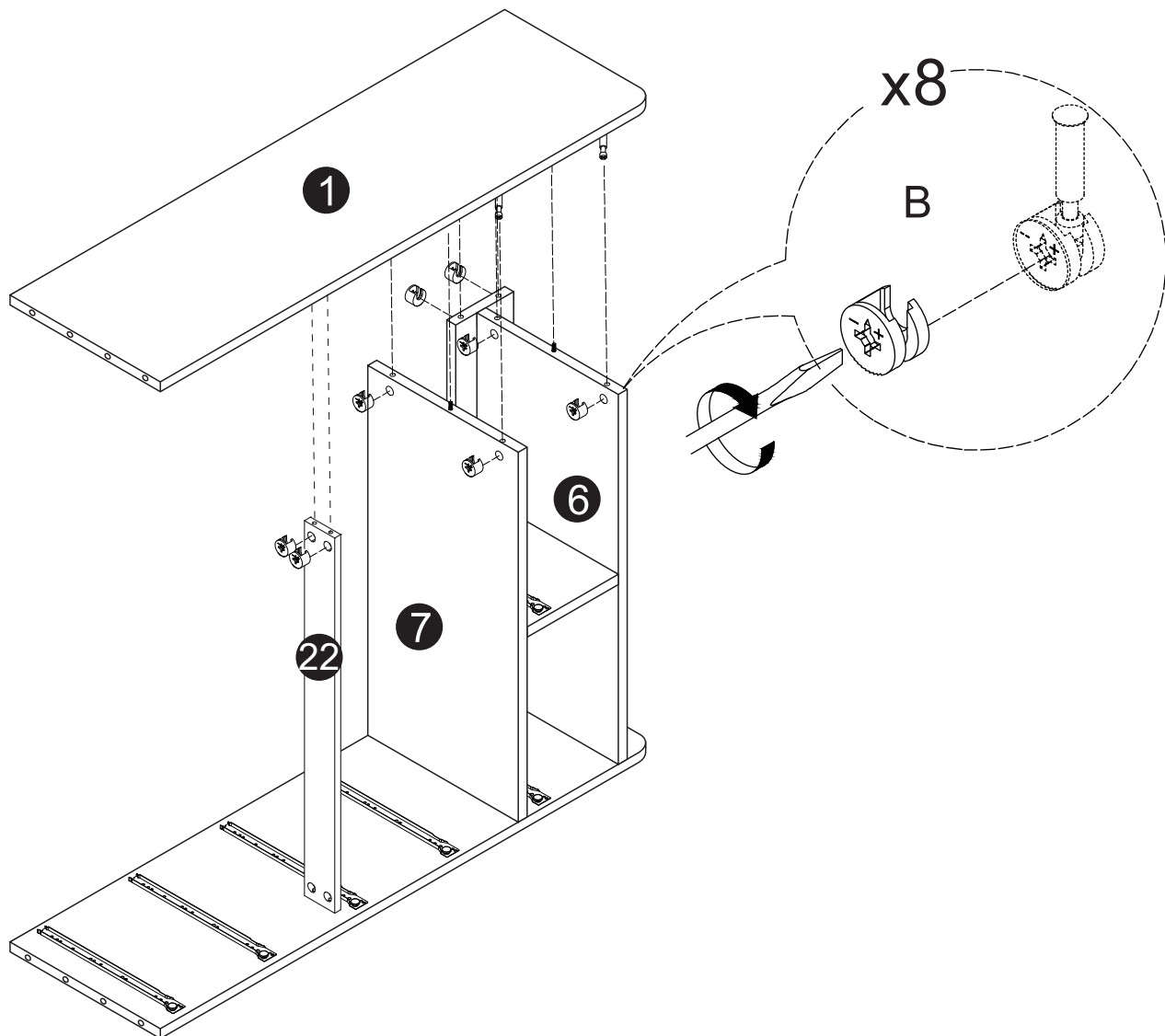
7



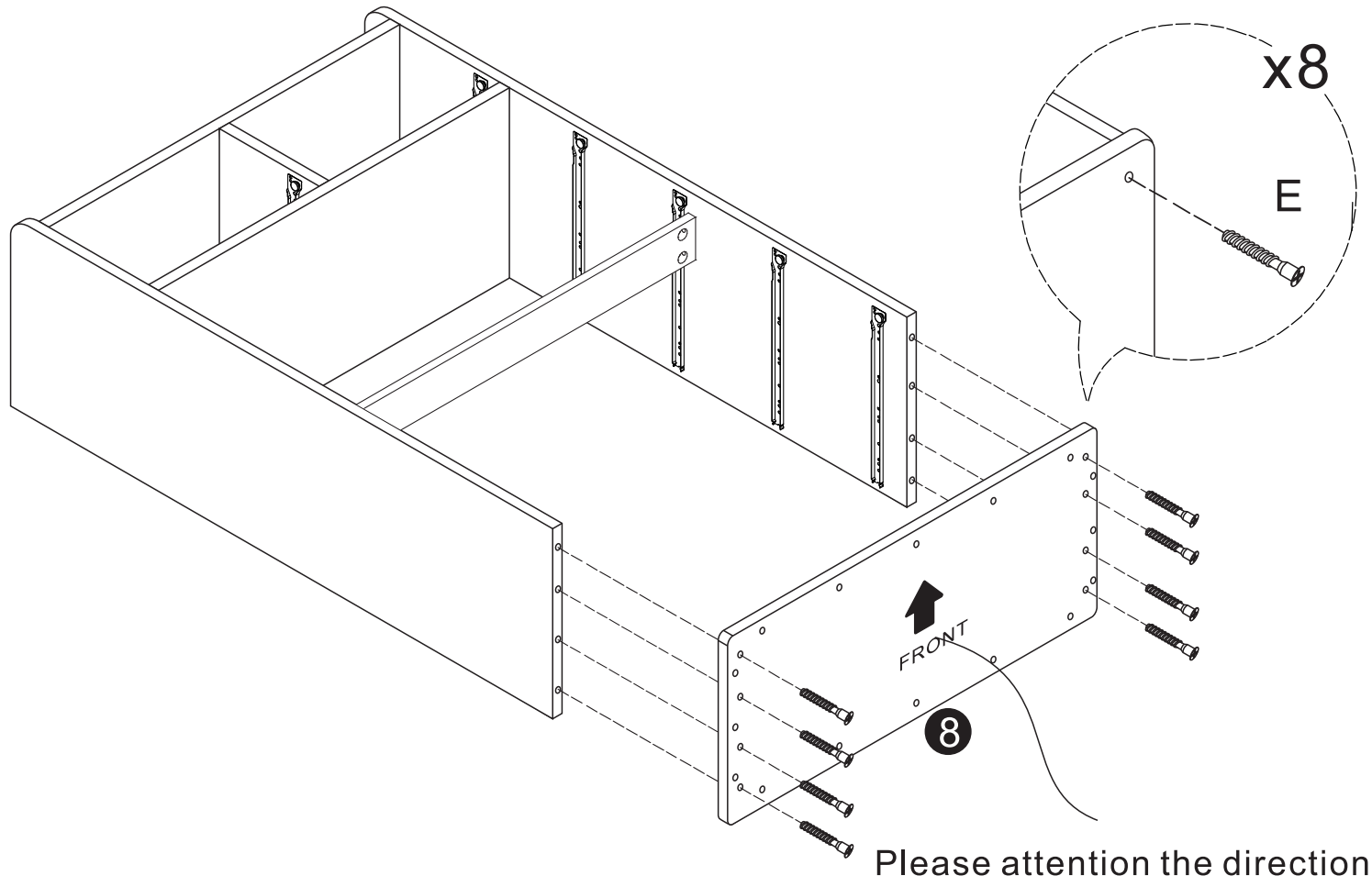
8



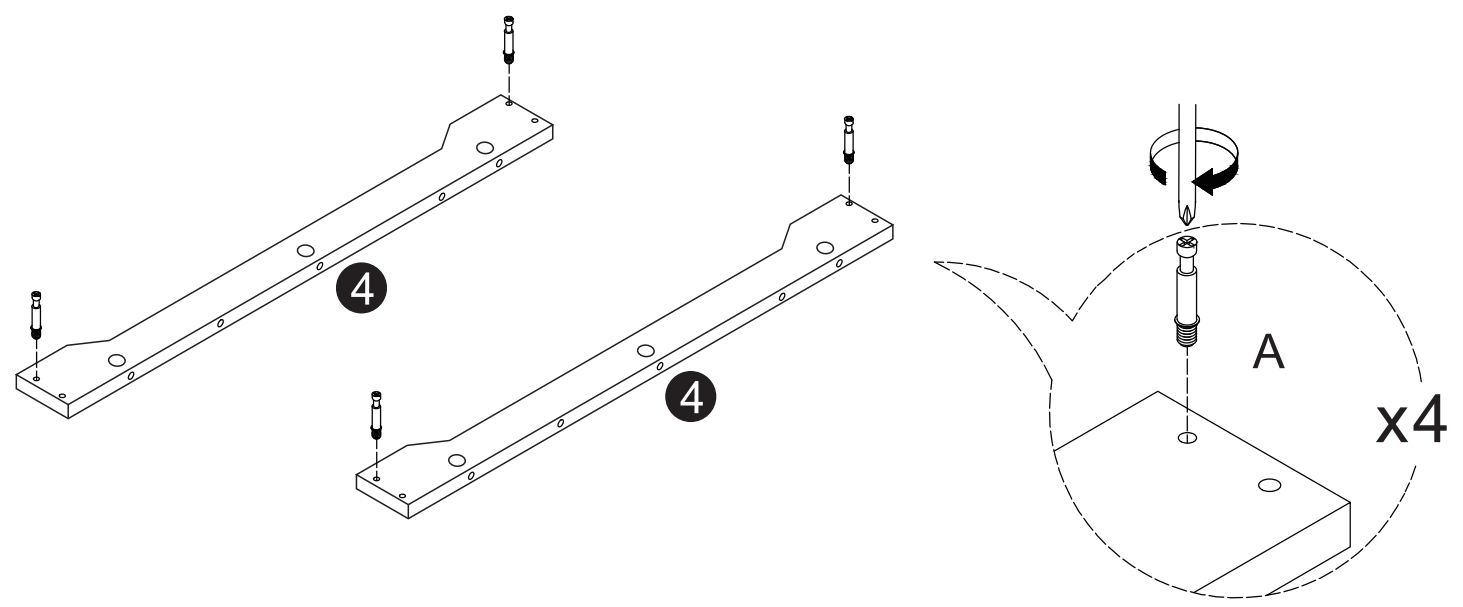
9



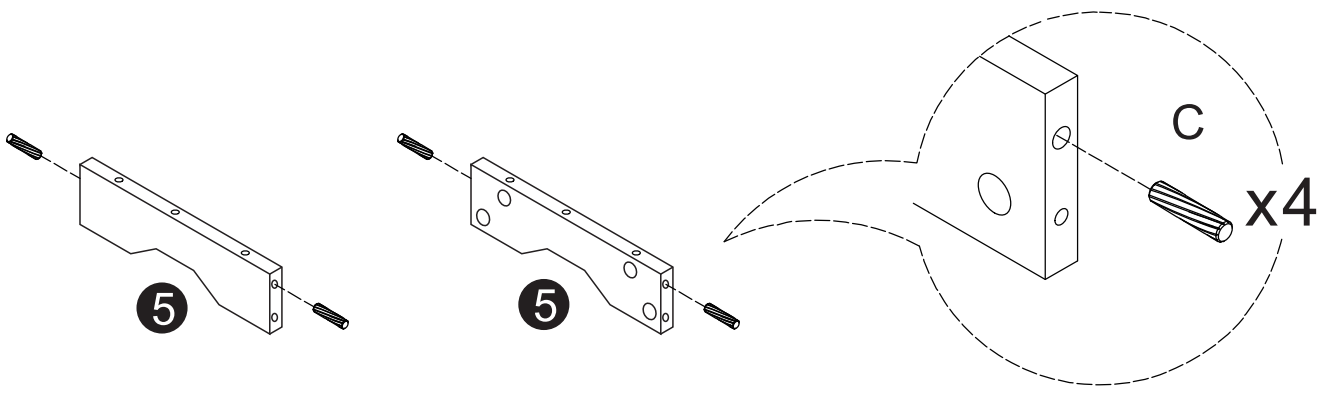
10



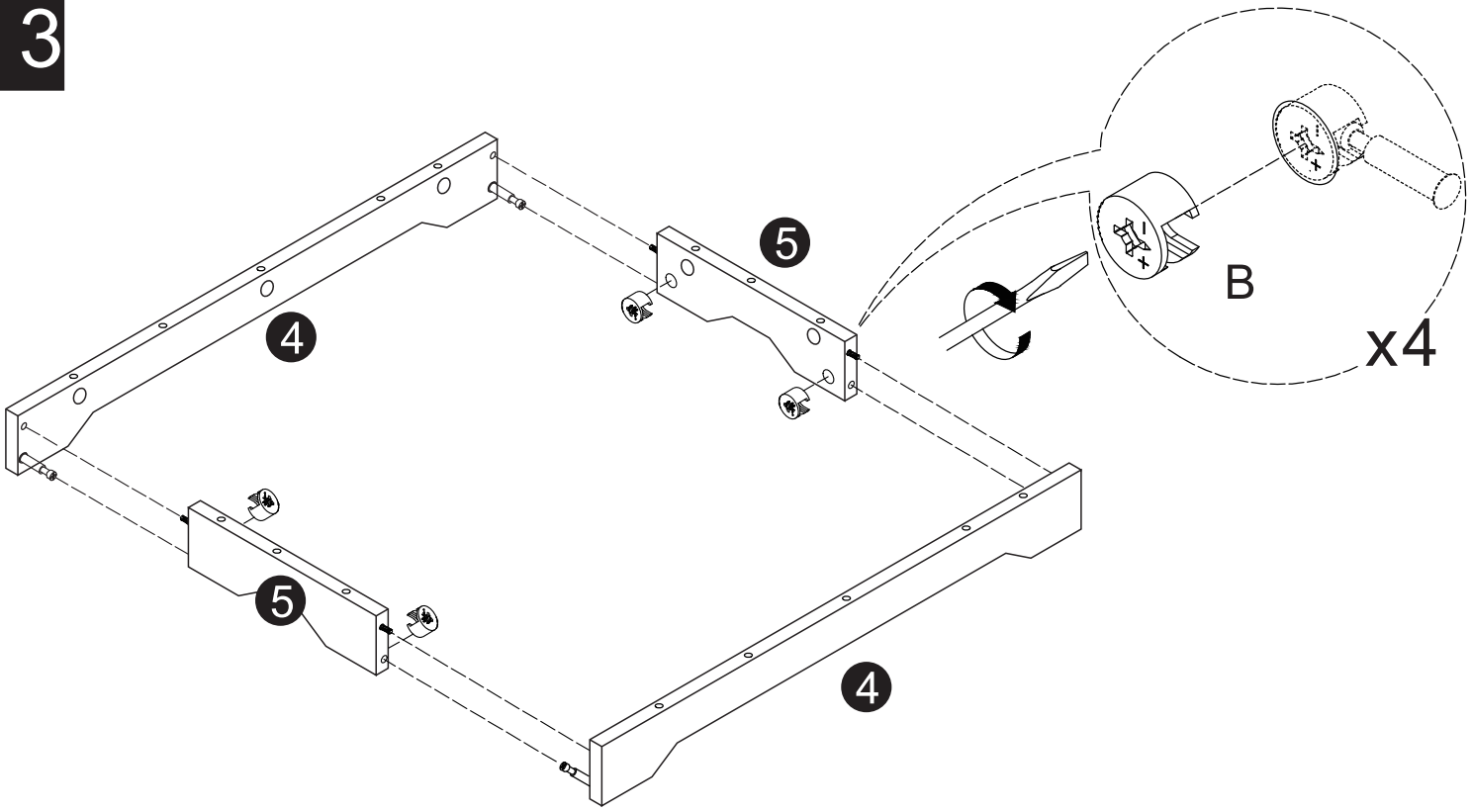
11



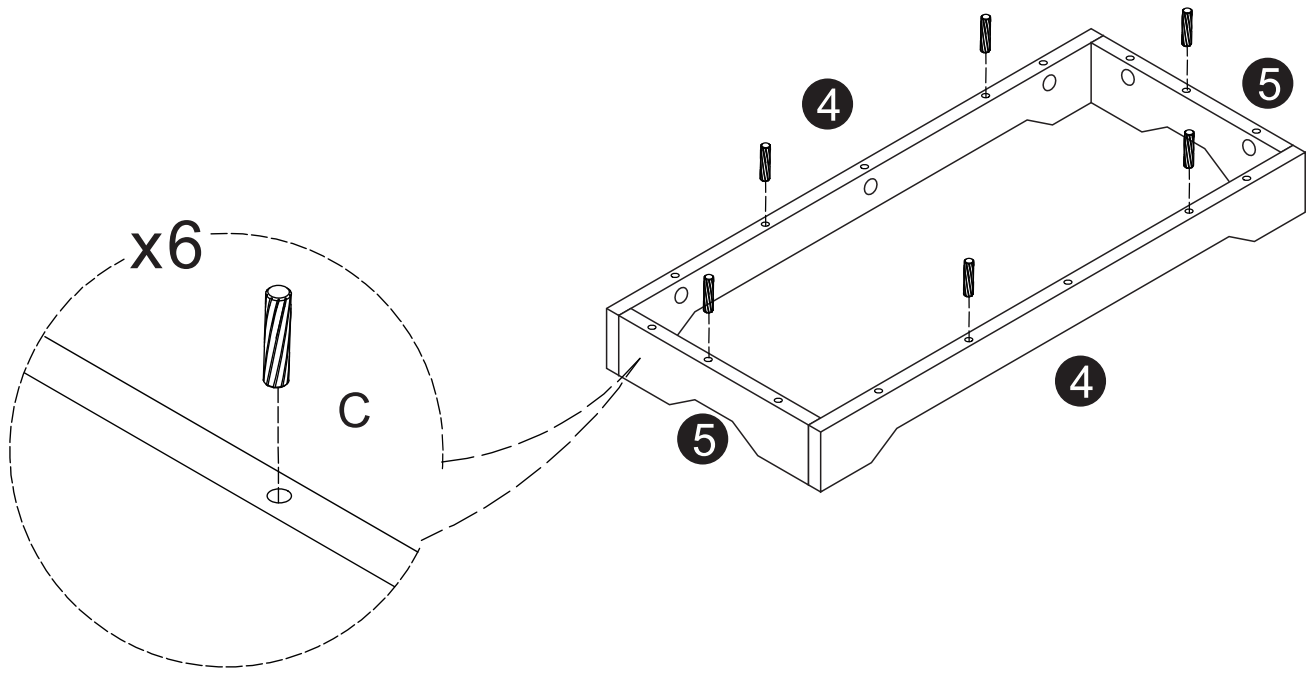
12



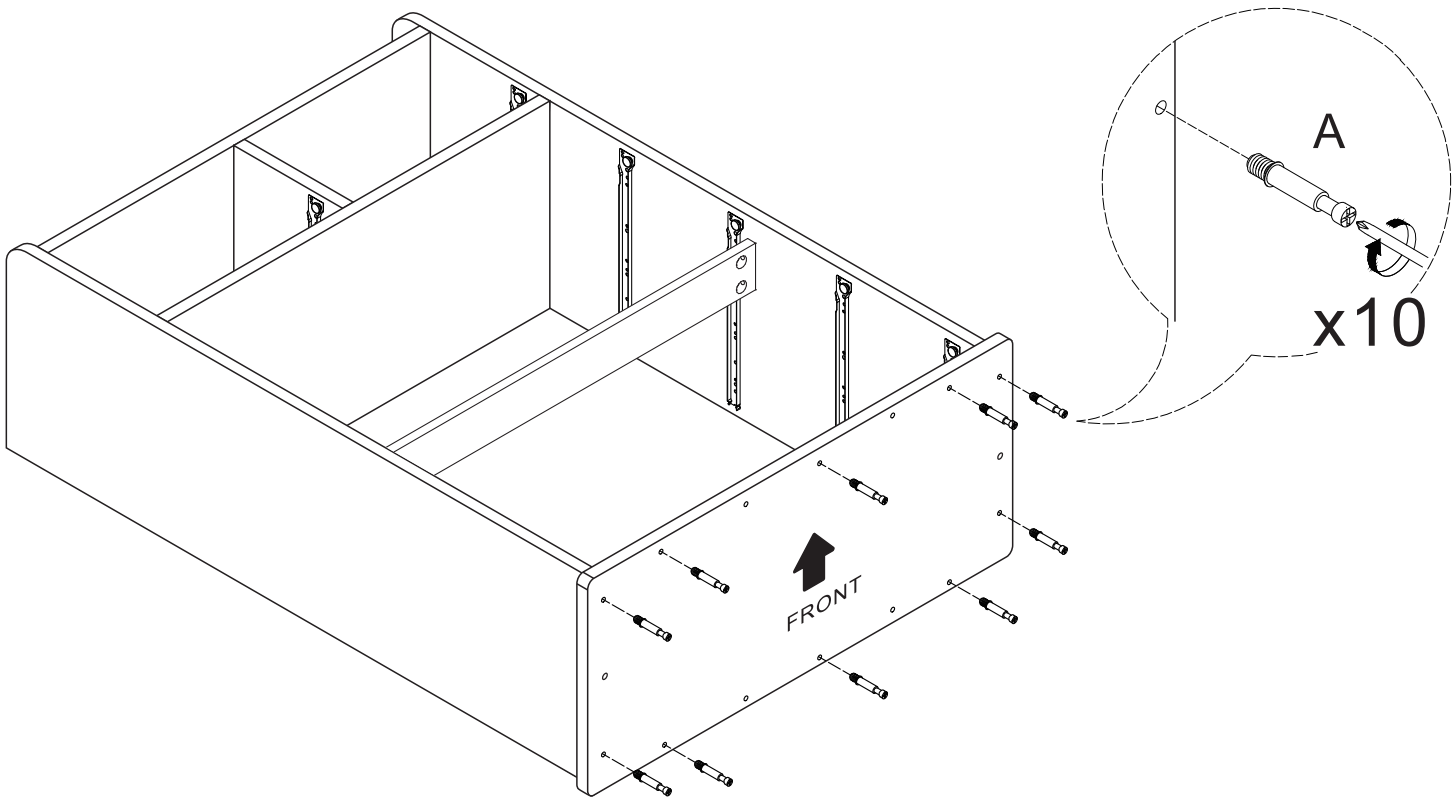
13



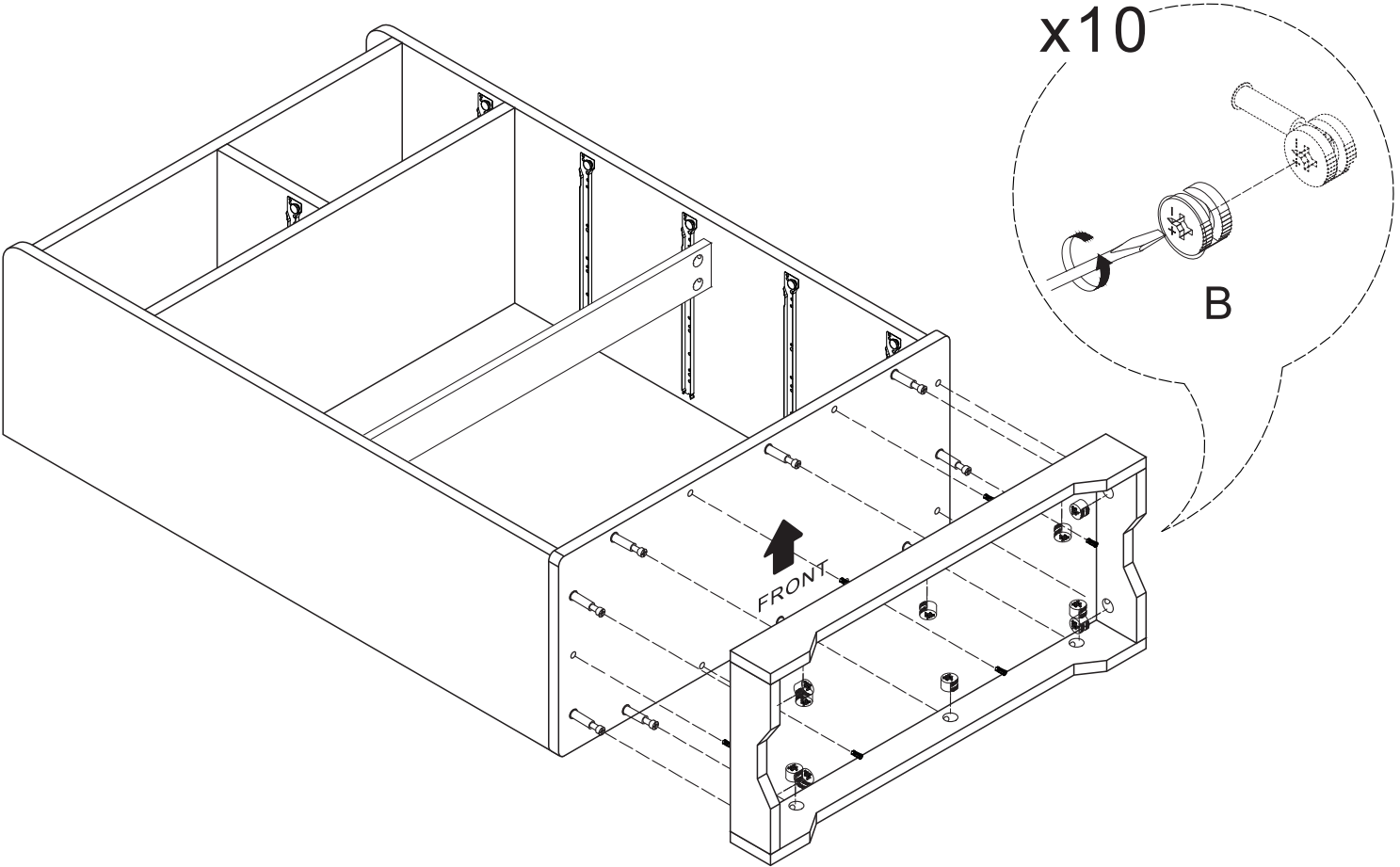
14



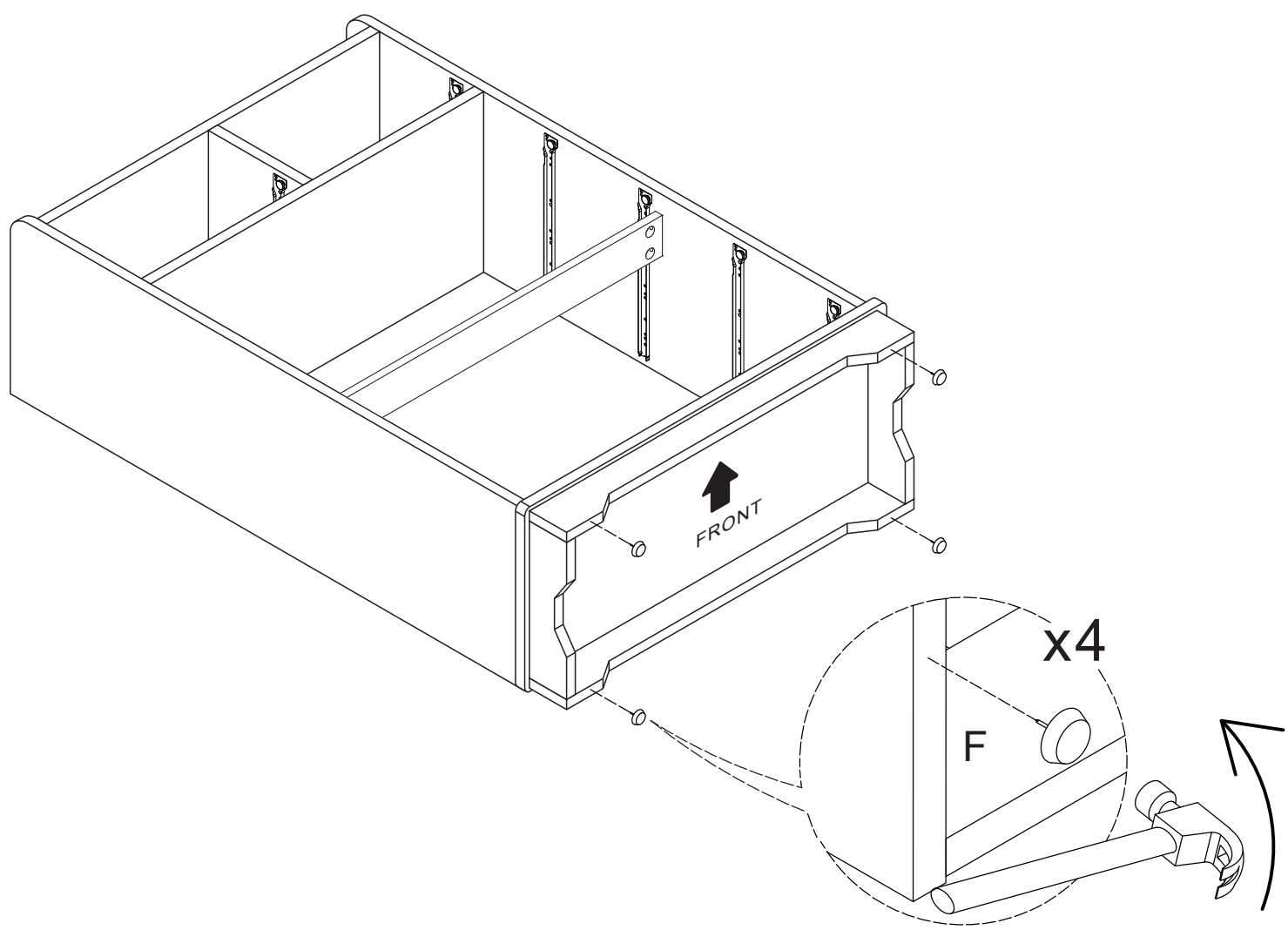
15



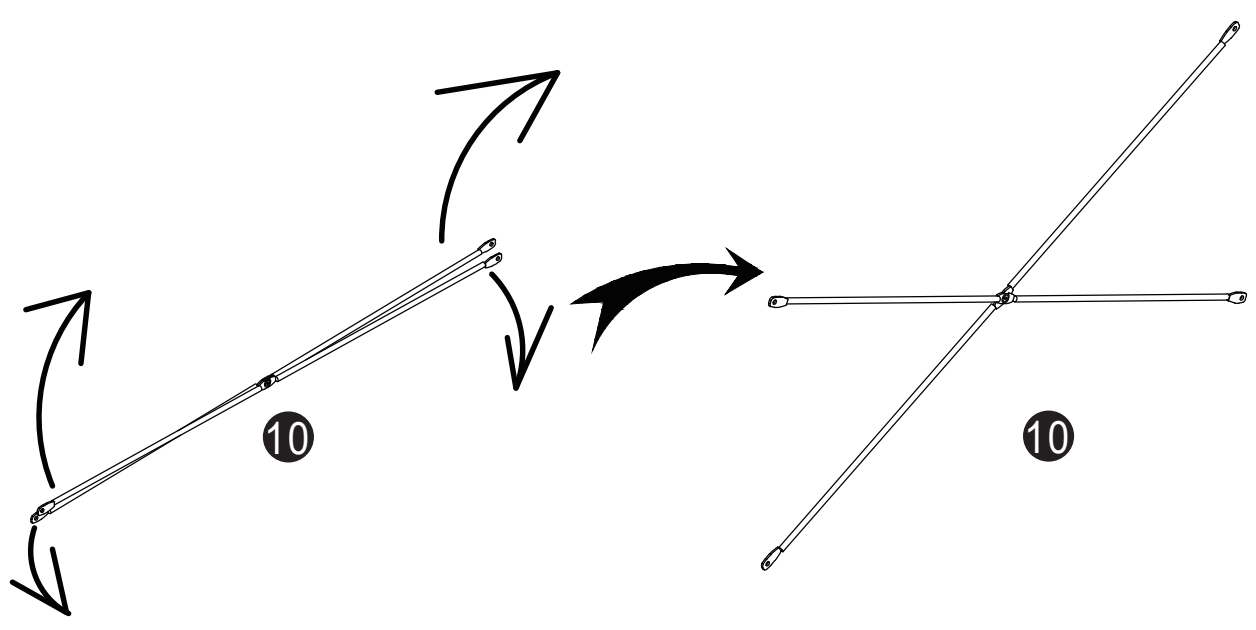
16

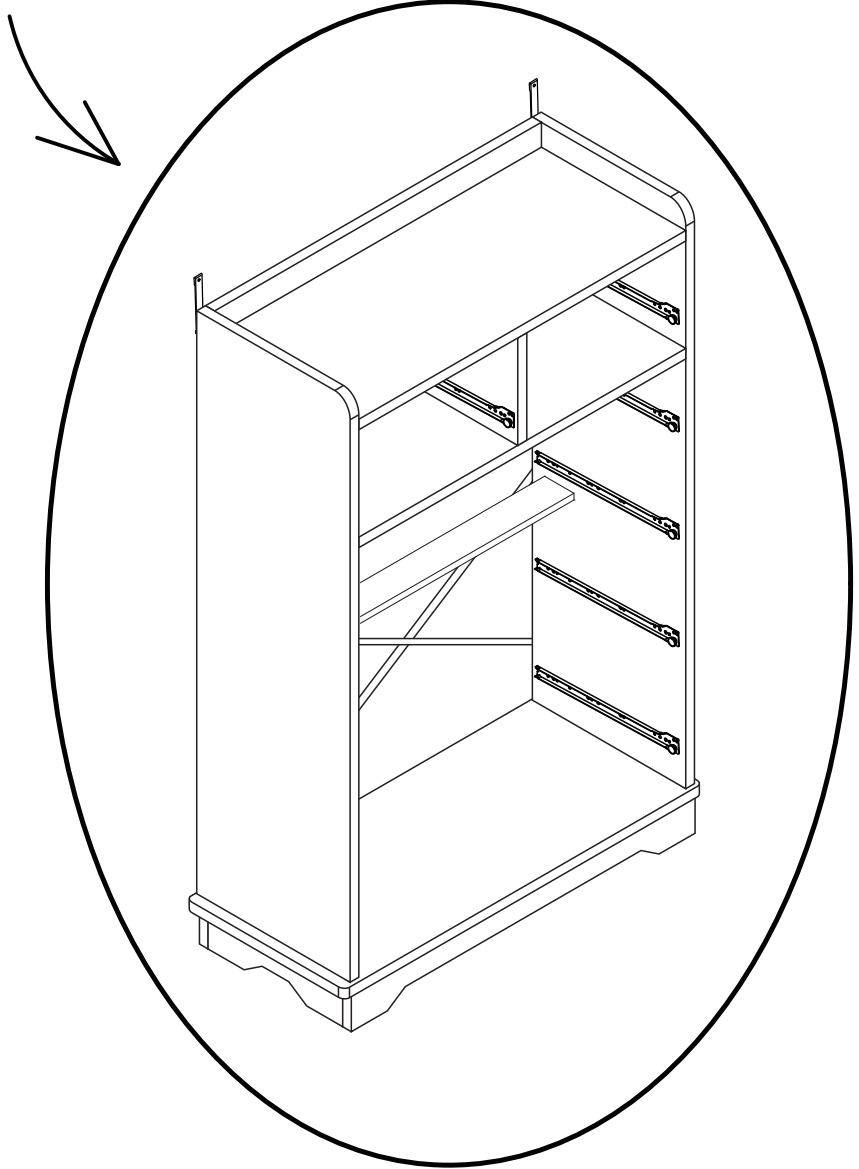
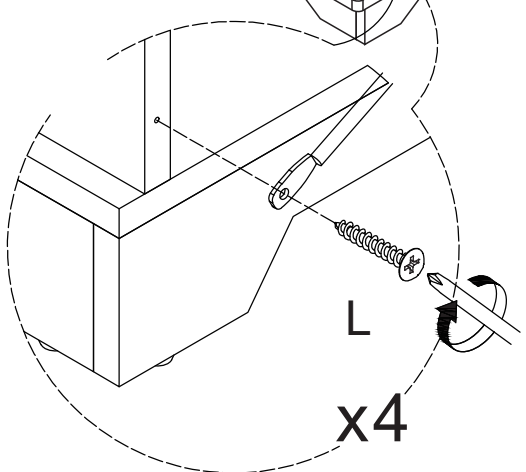
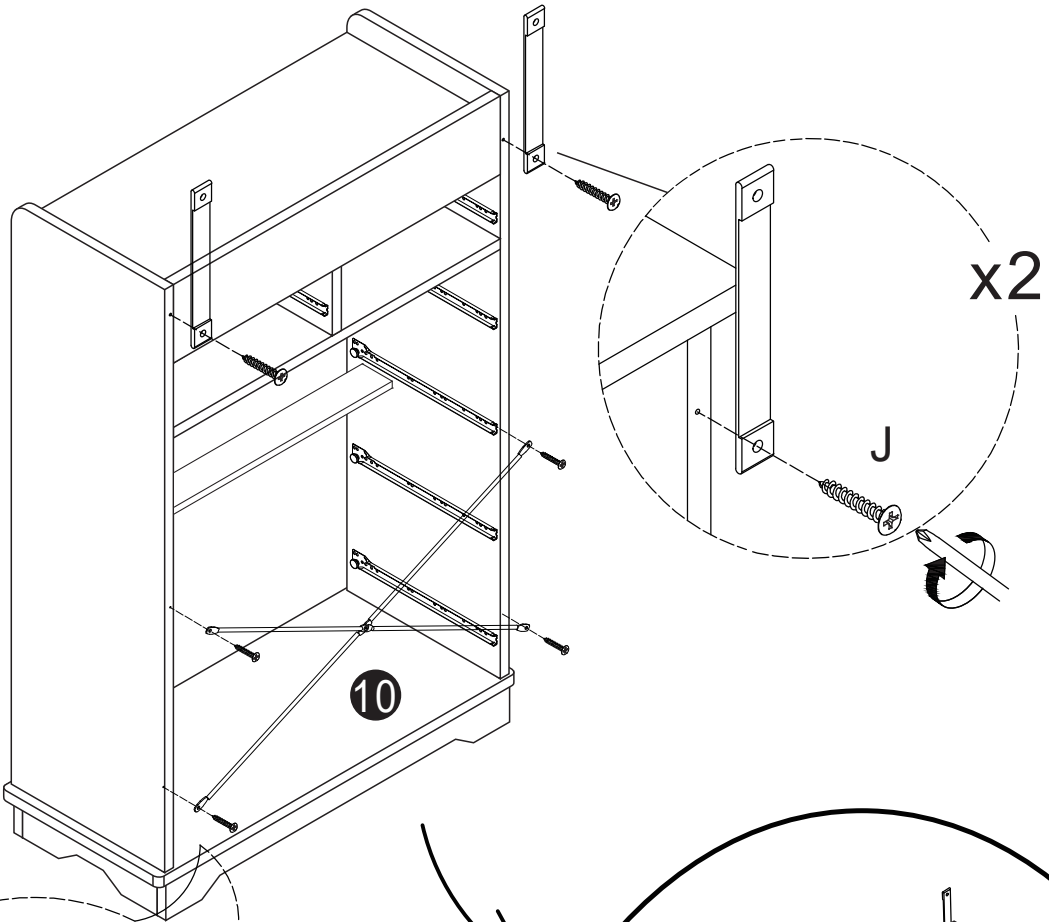


17

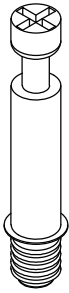


18



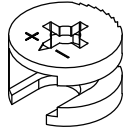


Drawer installation



Ø28mm

A x36



Ø15x9 mm

B x36



Ø6x30mm

C x12



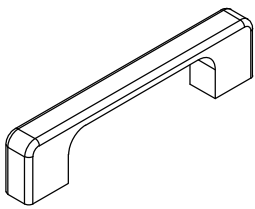
Ø3.5x12mm

D x36

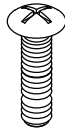


Ø5x40mm

E x24

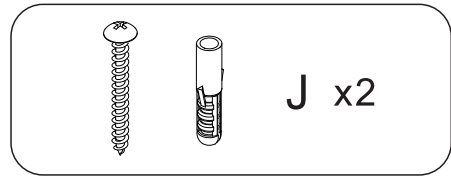


G x6

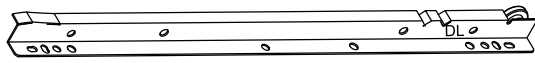


Ø4x15mm

H x12

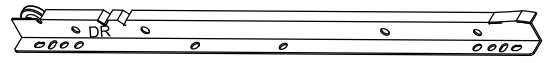


J x2



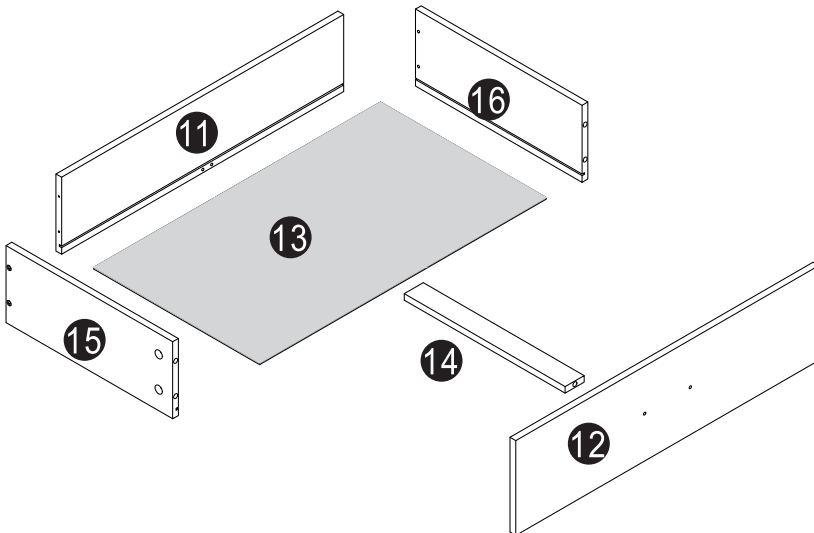
DL

x6

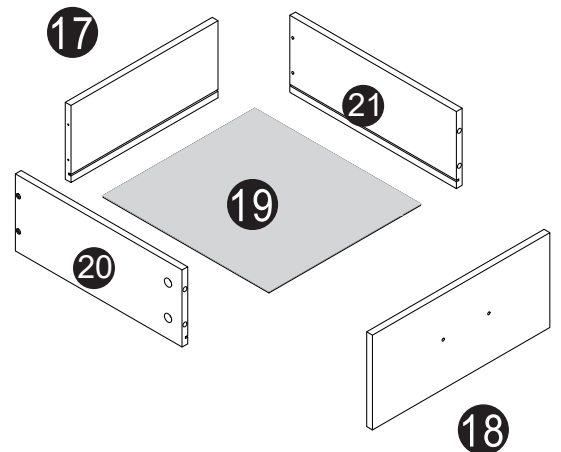


DR

x6

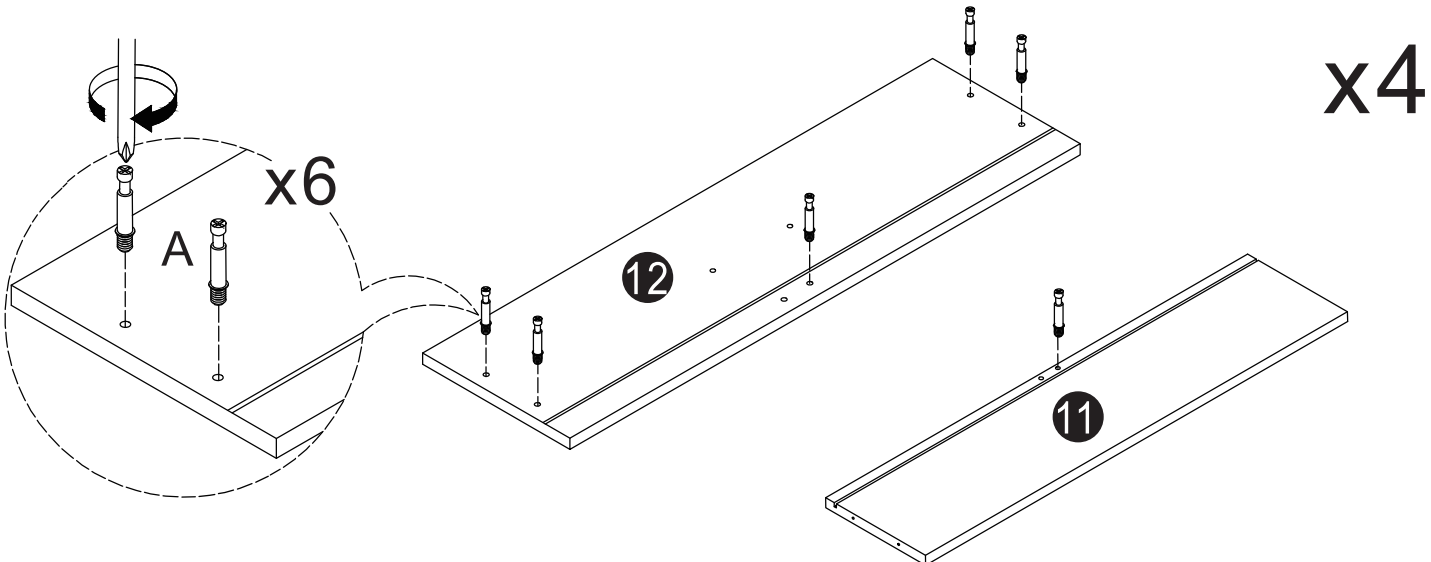


x4

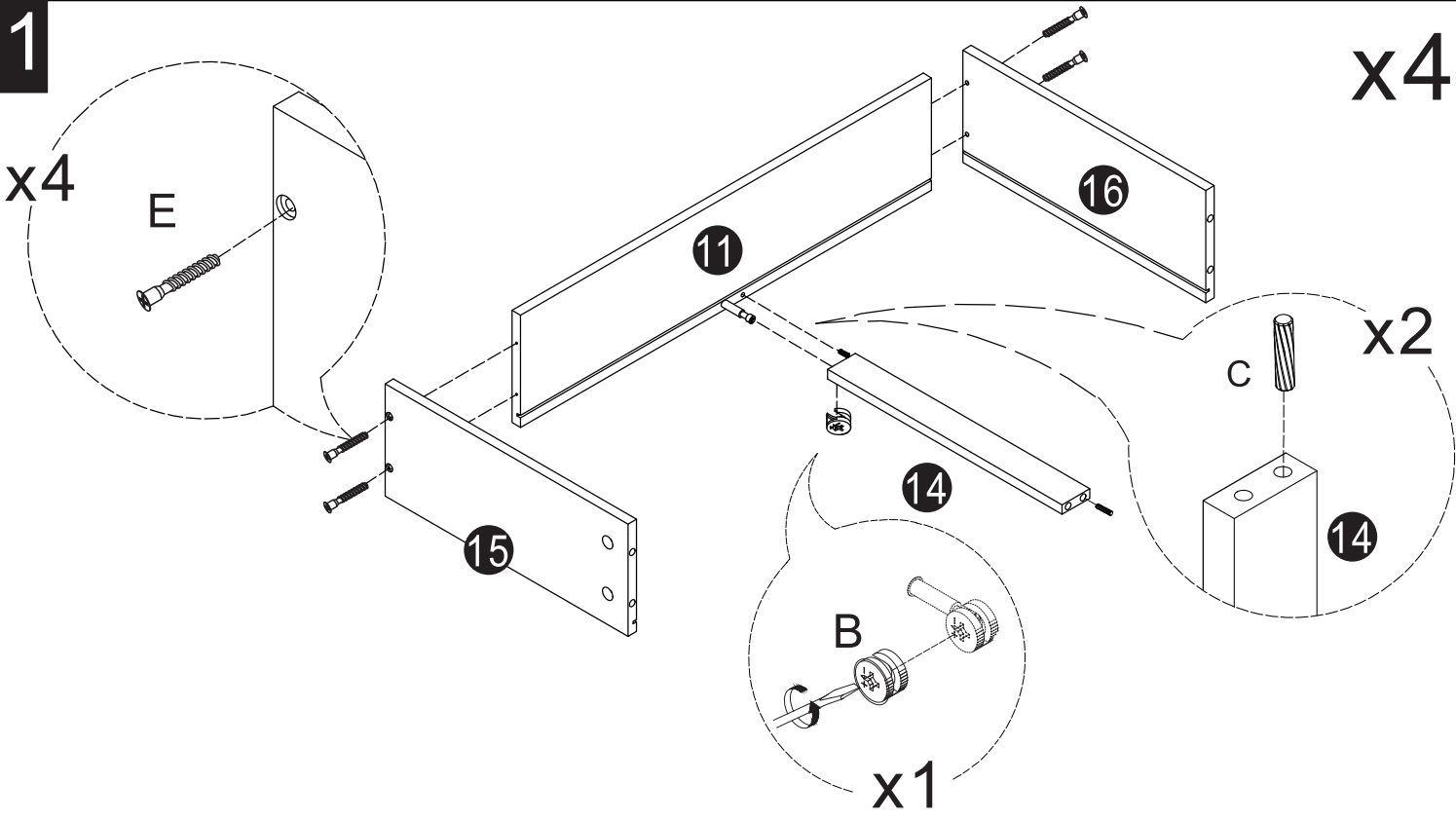


x2

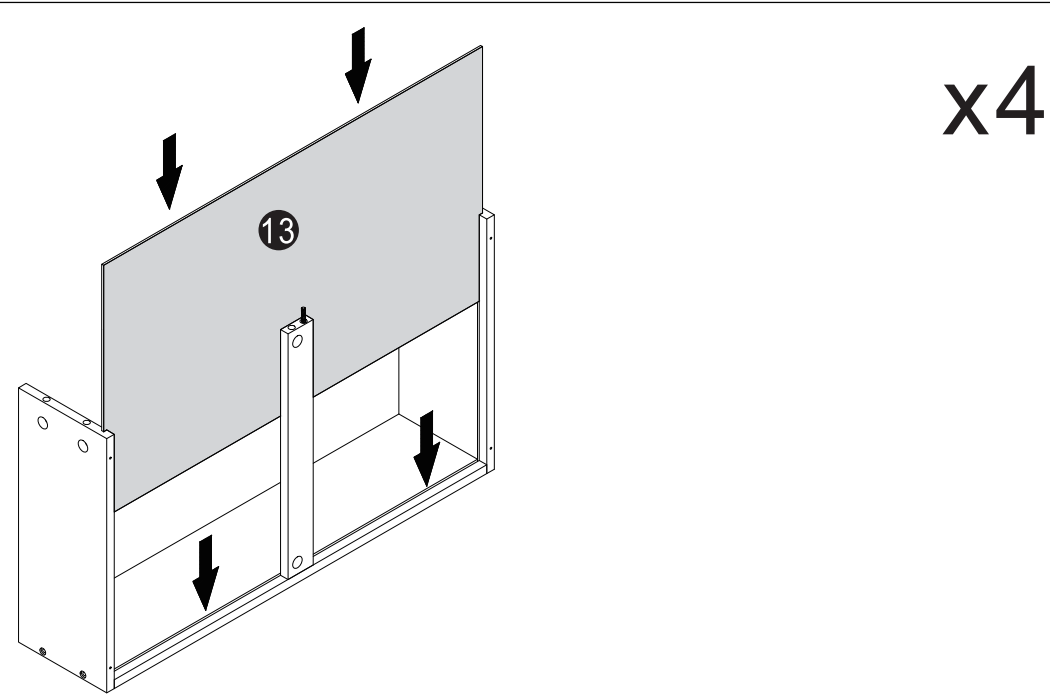
20



21

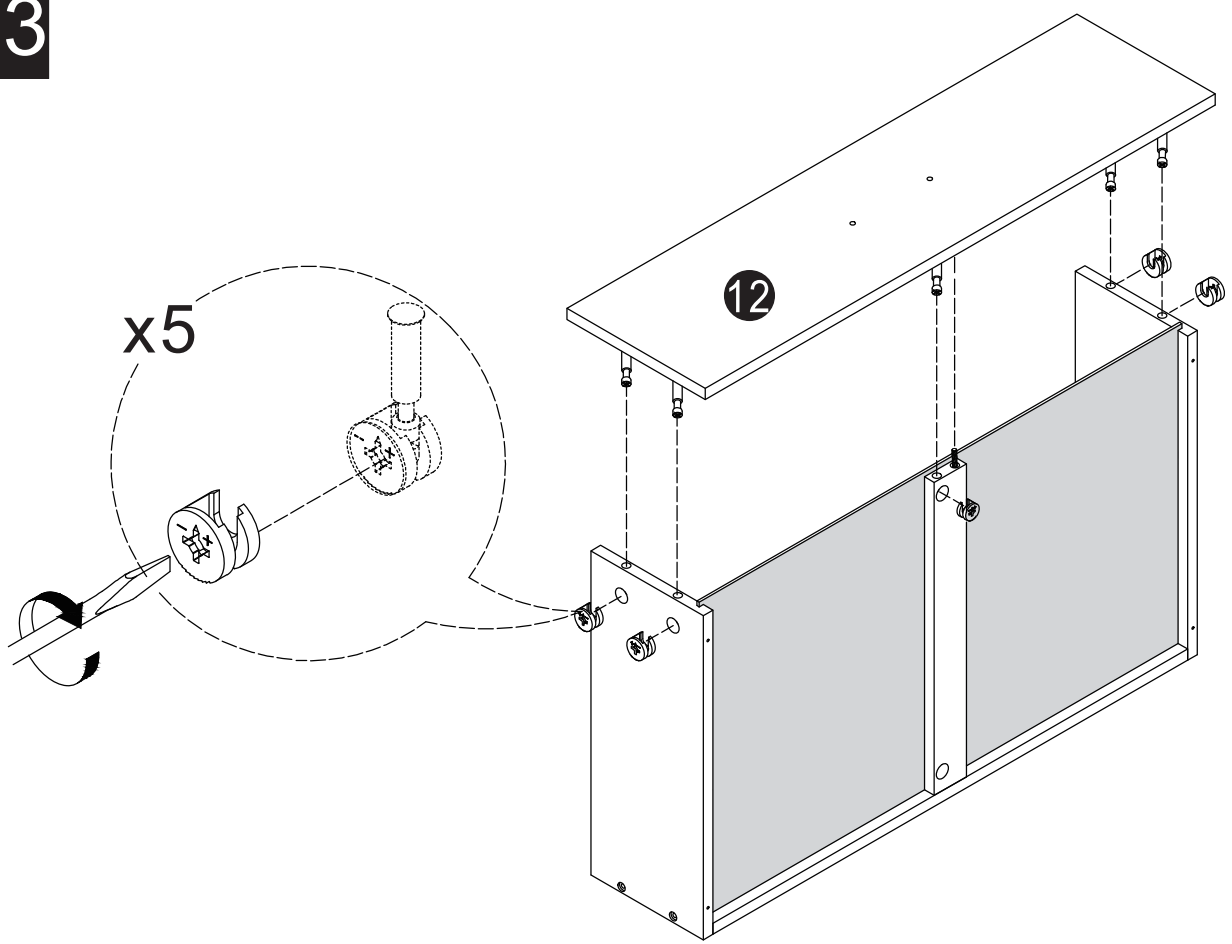


22



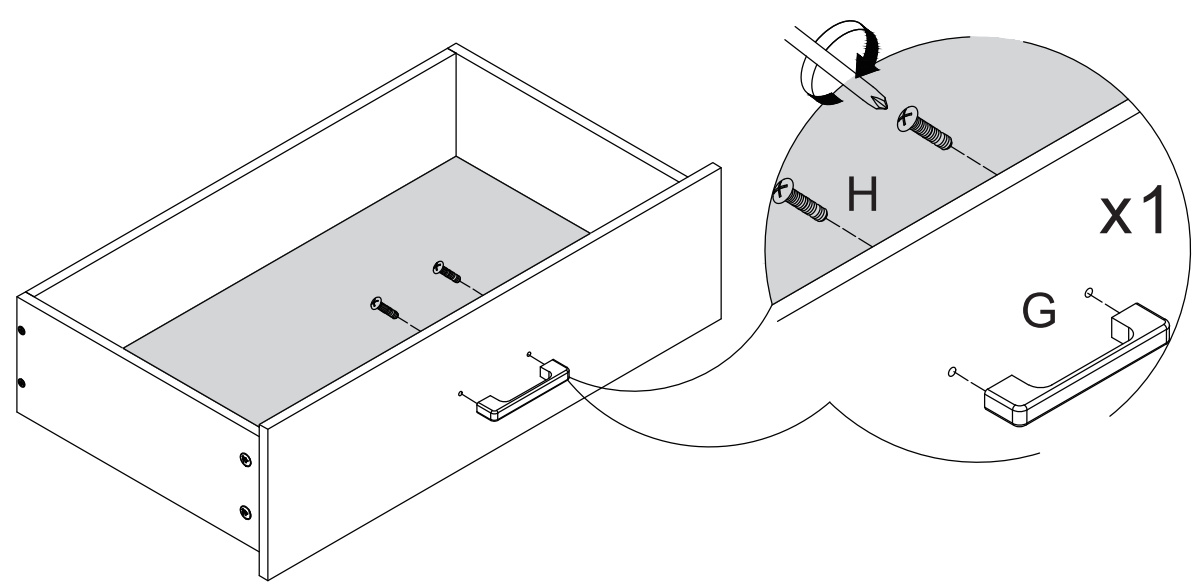
23

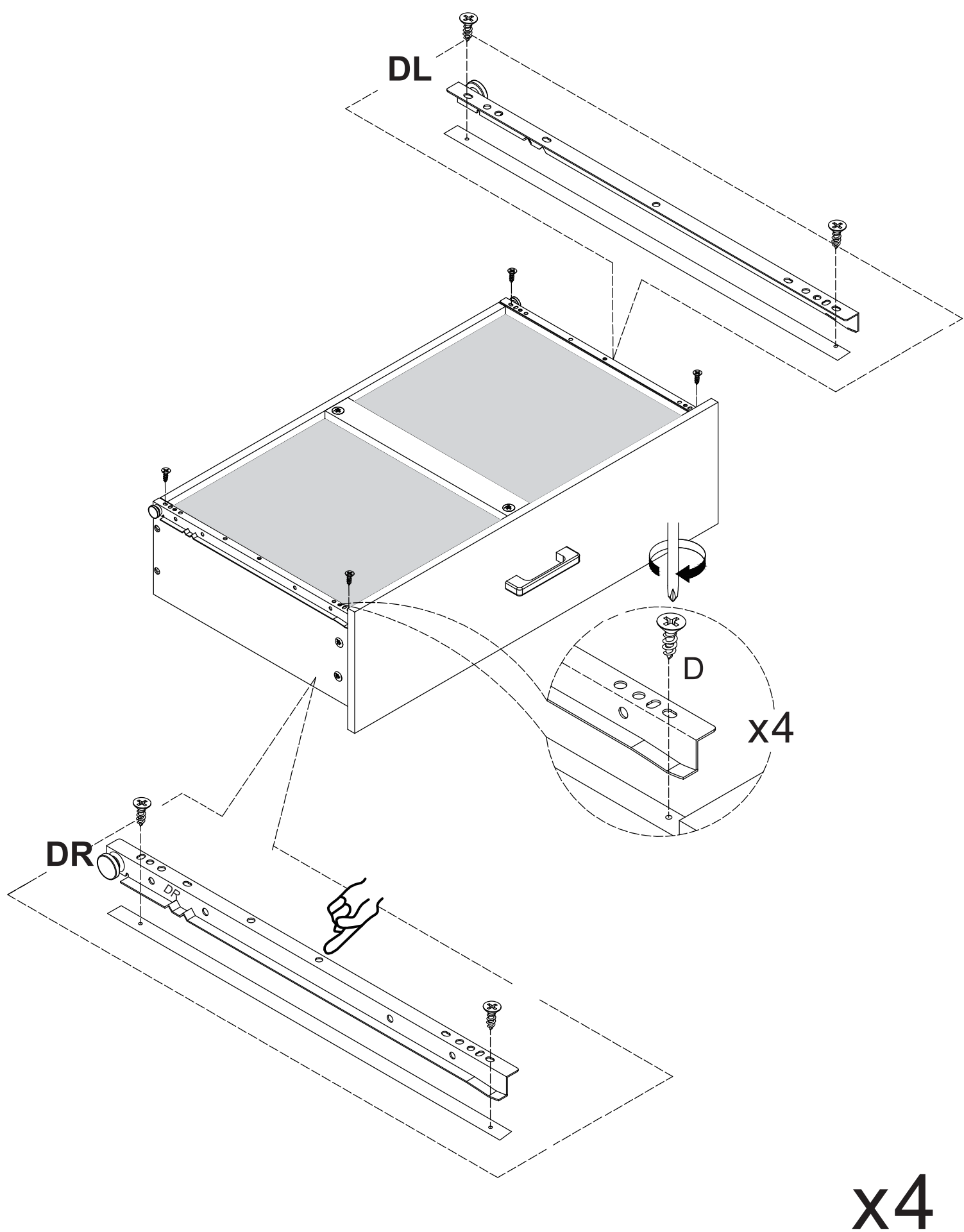
x4



24

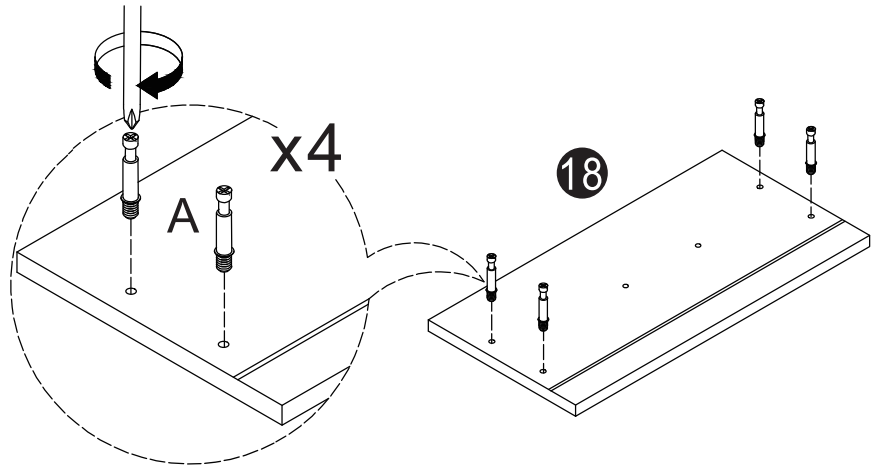
x4





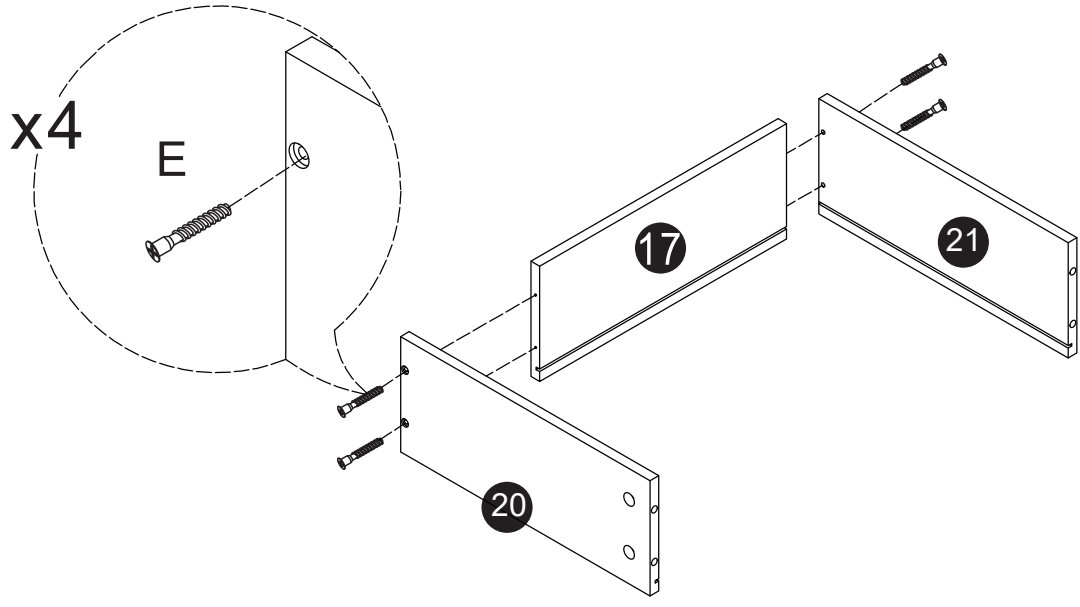
26

x2



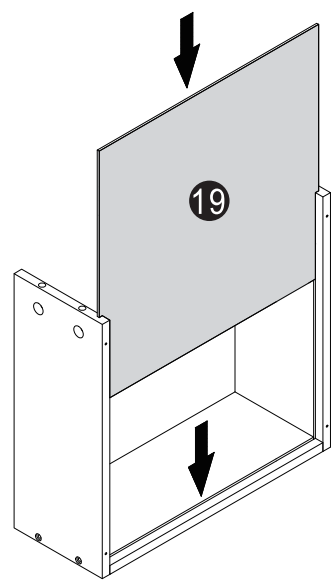
27

x2



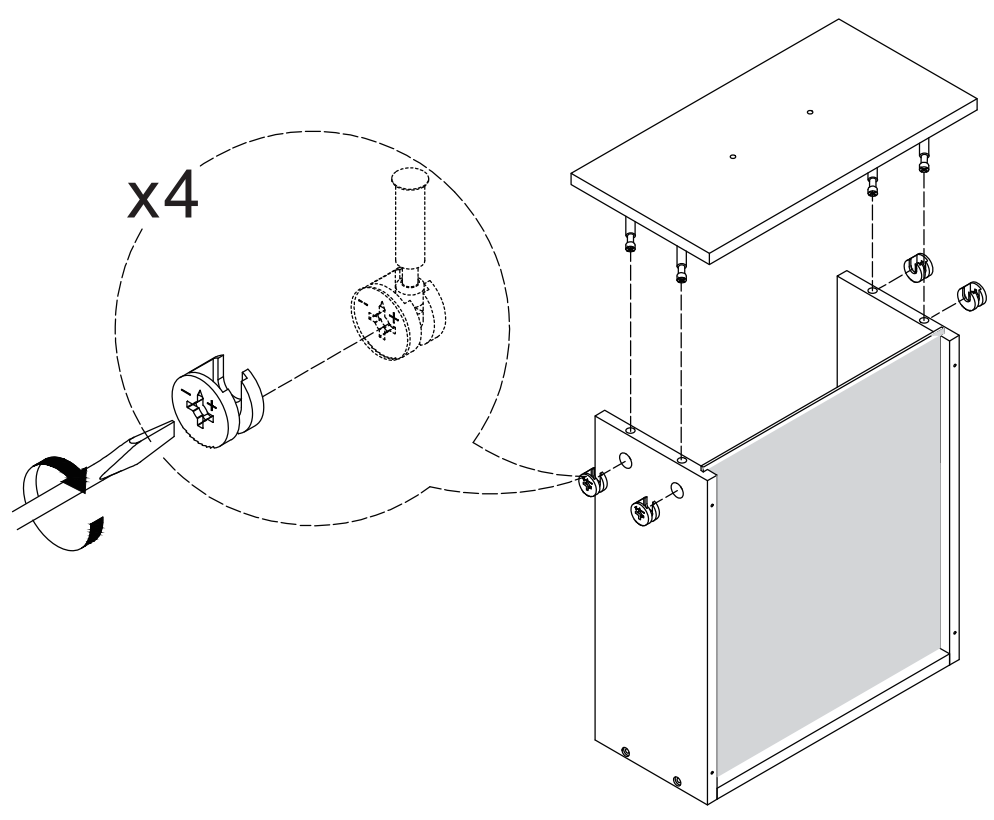
28

x2



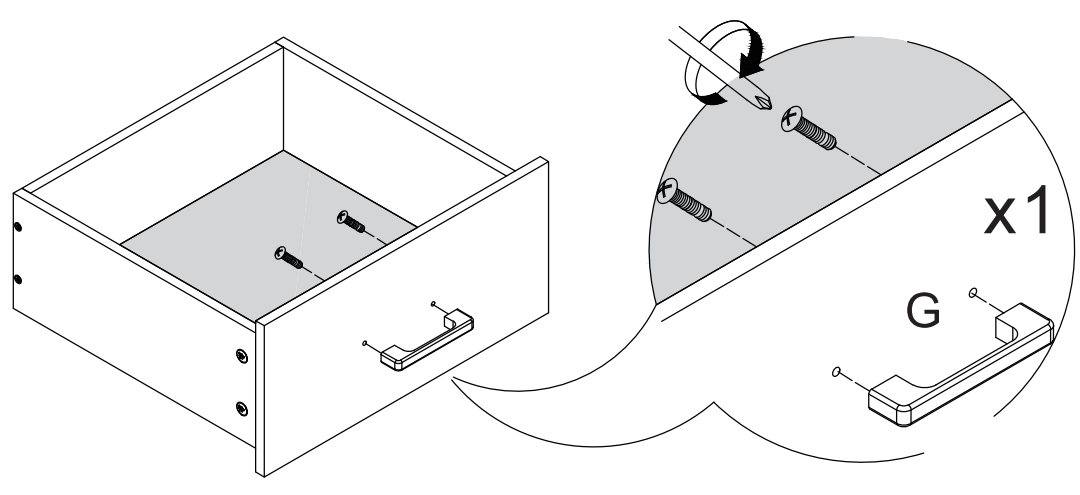
29

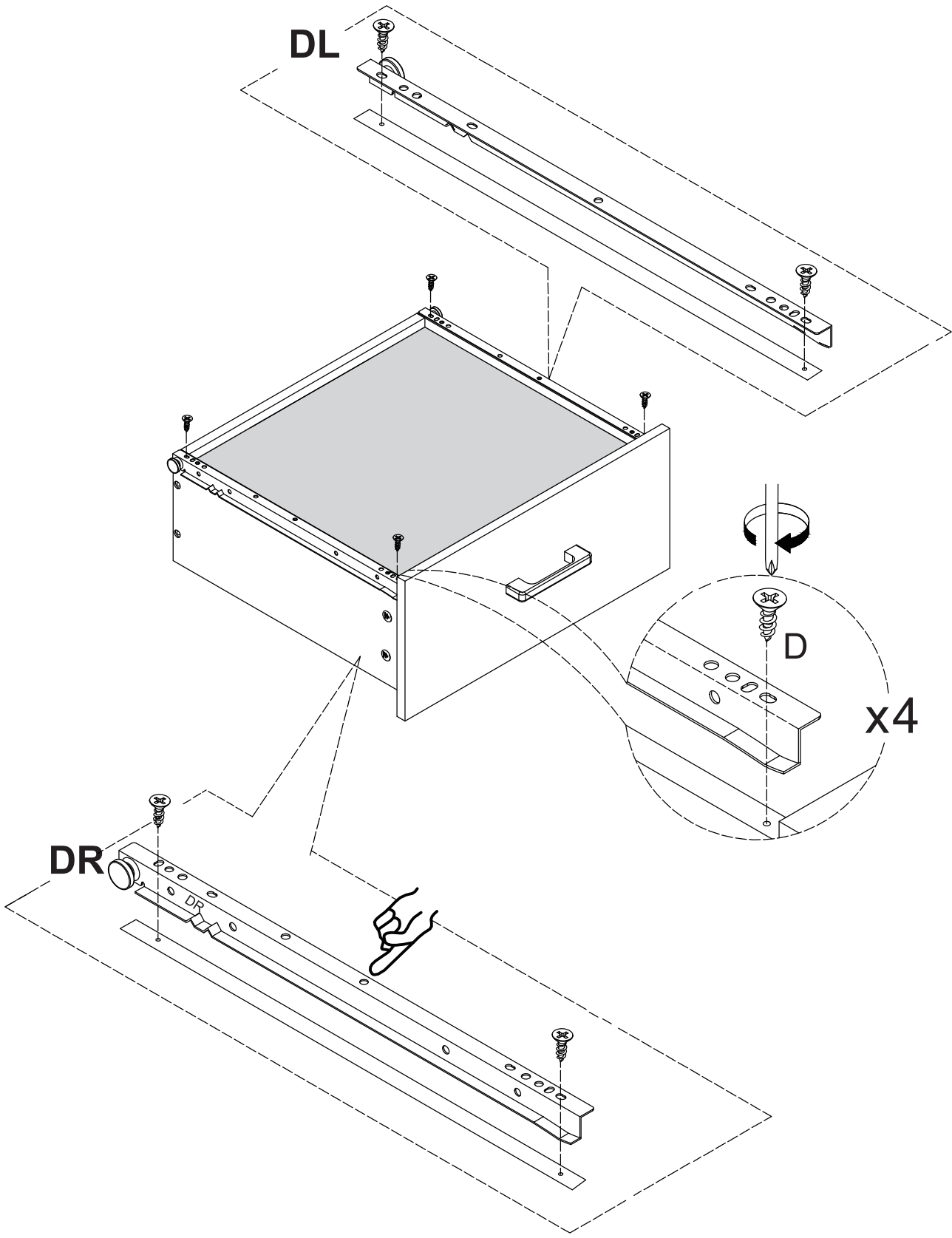
x2



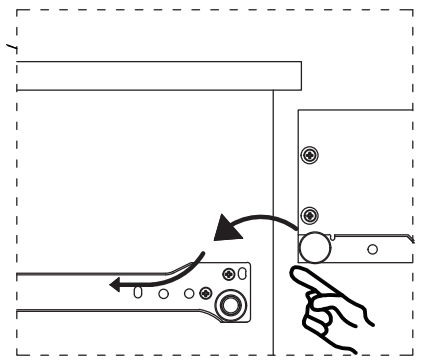
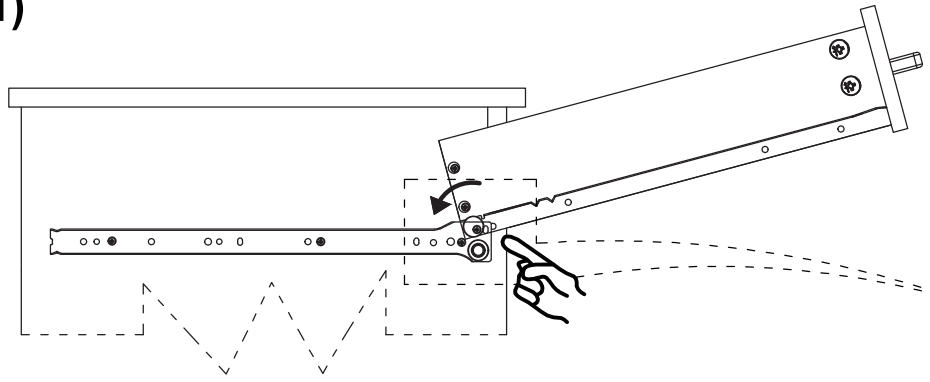
30

x2

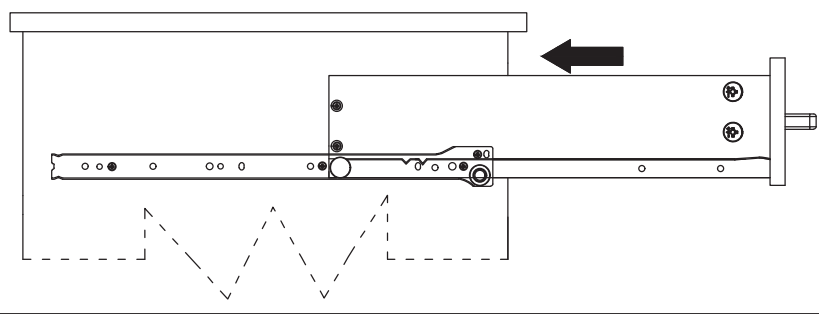




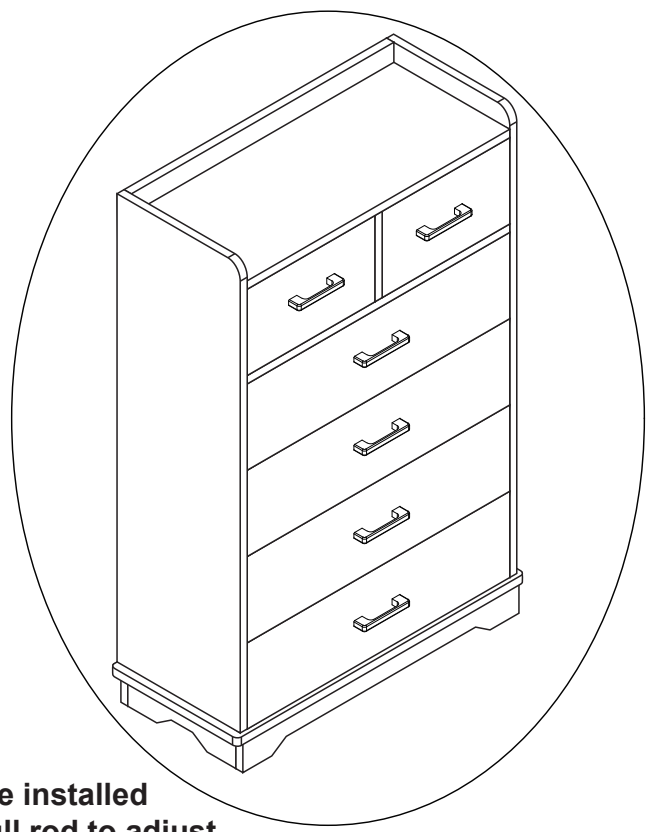
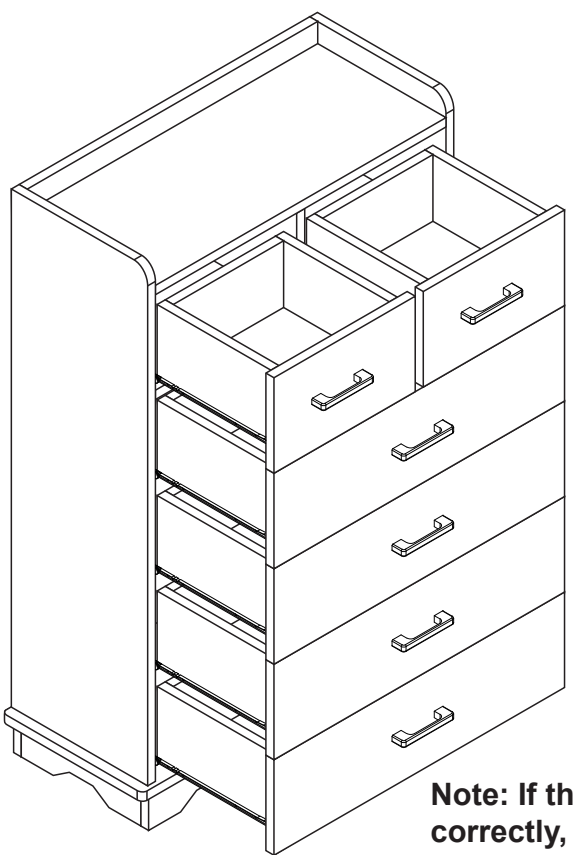
(1)



(2)

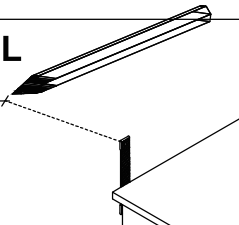


x6



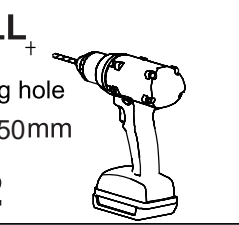
Note: If the drawer cannot be installed correctly, loosen the 10 # pull rod to adjust and reduce the spacing between the 1 # and 2 # plates, and then tighten the 10 # pull rod to ensure the drawer can be insta

WALL



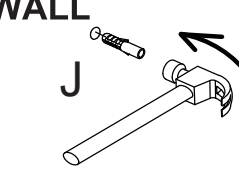
I x2

WALL
+
drilling hole
Ø8x50mm



II x2

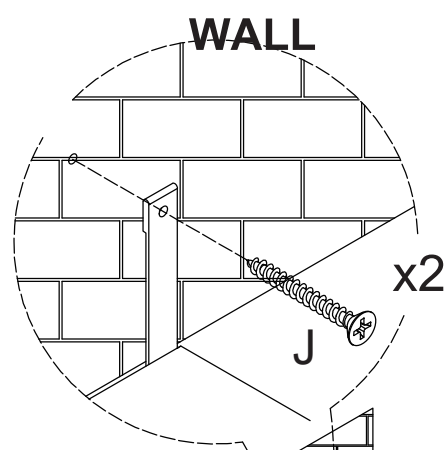
WALL



J

III x2

WALL



J

x2

