

# *ASSEMBLY INSTRUCTIONS*



*BAR TABLE*

# ASSEMBLY INSTRUCTIONS

## ASSEMBLY TIPS:

1. Remove hardware from box and sort by size.
2. Please check to see that all hardware and parts are present prior to start of assembly.
3. Please follow attached instructions in the same sequence as numbered to assure fast & easy assembly.



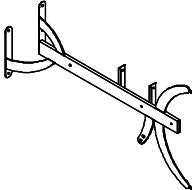
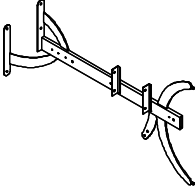
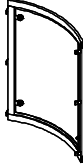
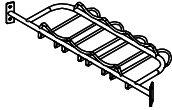
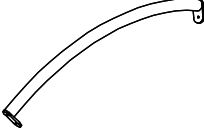

## WARNING!

1. Don't attempt to repair or modify parts that are broken or defective. Please contact the store immediately.
2. This product is for home use only and not intended for commercial establishments.



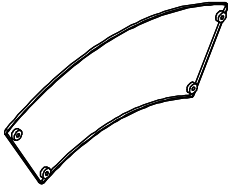
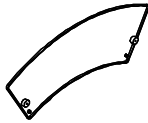
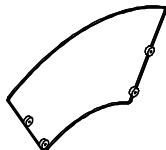
ASSEMBLY TIME 60 MINUTES

## PARTS IDENTIFICATION




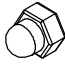
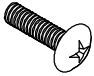




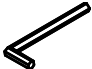

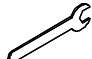
|   |                     |   |      |
|---|---------------------|---|------|
| A | LEFT LEG            |     | 1PC  |
| B | RIGHT LEG           |    | 1PC  |
| C | FRONT FRAME         |  | 1PC  |
| D | HANGER BRACKET      |   | 1PC  |
| E | BOTTOM SUPPORT      |   | 1PC  |
| F | GLASS SHELF SUPPORT |  | 2PCS |

# ASSEMBLY INSTRUCTIONS

## PARTS IDENTIFICATION

|   |                 |  |      |
|---|-----------------|--|------|
| G | UPPER TOP GLASS |  | 1PC  |
| H | GLASS SHELF     |  | 2PCS |
| I | LOWER TOP GLASS |  | 1PC  |

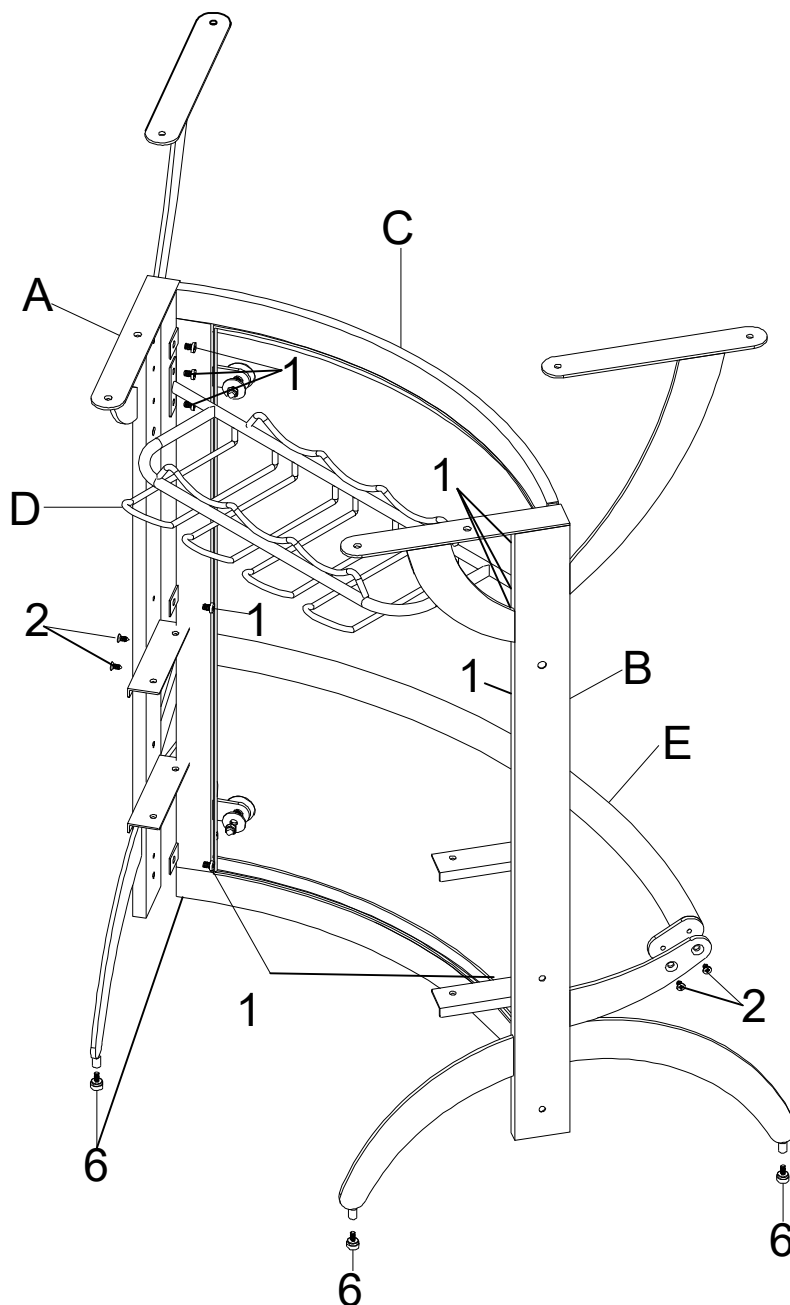
## HARDWARE IDENTIFICATION

|   |                                      |   |       |    |                                      |   |      |
|---|--------------------------------------|---|-------|----|--------------------------------------|---|------|
| 1 | ALLEN BOLT-MEDIUM<br>(1/4" x 8mm SR) |  | 22PCS | 7  | ALLEN BOLT-LARGE<br>(1/4" x 38mm SR) |  | 3PCS |
| 2 | ALLEN BOLT-SMALL<br>(1/4" x 9mm SR)  |  | 4PCS  | 8  | NUT<br>(1/4" SR)                     |  | 3PCS |
| 3 | BOLT<br>(3/16" x 12mm SR)            |  | 4PCS  | 9  | WASHER<br>(ø16mm SR)                 |  | 3PCS |
| 4 | SMALL WASHER<br>(ø15mm)              |  | 4PCS  | 10 | PLASTIC WASHER<br>(ø26mm)            |  | 3PCS |
| 5 | SUCTION CUP<br>(6mm)                 |  | 4PCS  | 11 | ALLEN WRENCH<br>(4mm)                |  | 1PC  |
| 6 | FLOOR LEVELER<br>(1/4" x 6mm BLK)    |  | 4PCS  | 12 | HEXAGONAL WRENCH<br>(1/4")           |  | 1PC  |

NOTE: PART 7,8,9,AND 10 ARE NEEDED ONLY WHEN BUYING 2 UNITS

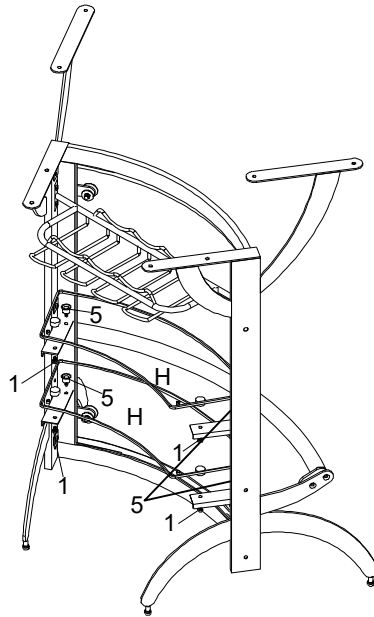
# ASSEMBLY INSTRUCTIONS

**STEP 1** Do not tighten until each step is completed or instructed.

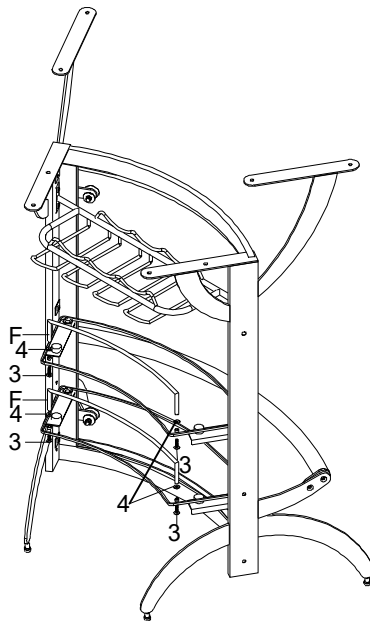


# ASSEMBLY INSTRUCTIONS

## STEP 2

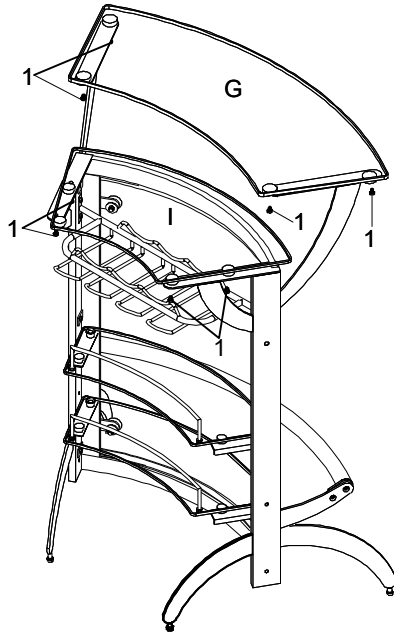


## STEP 3



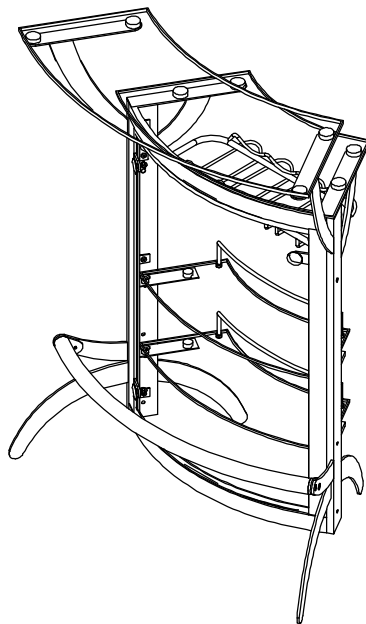
# ASSEMBLY INSTRUCTIONS

## STEP 4



## STEP 5

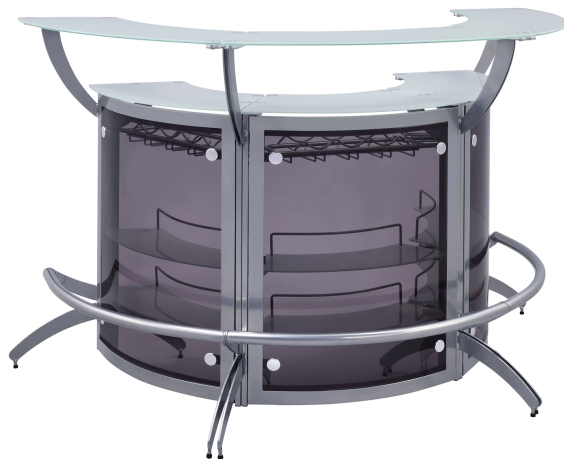
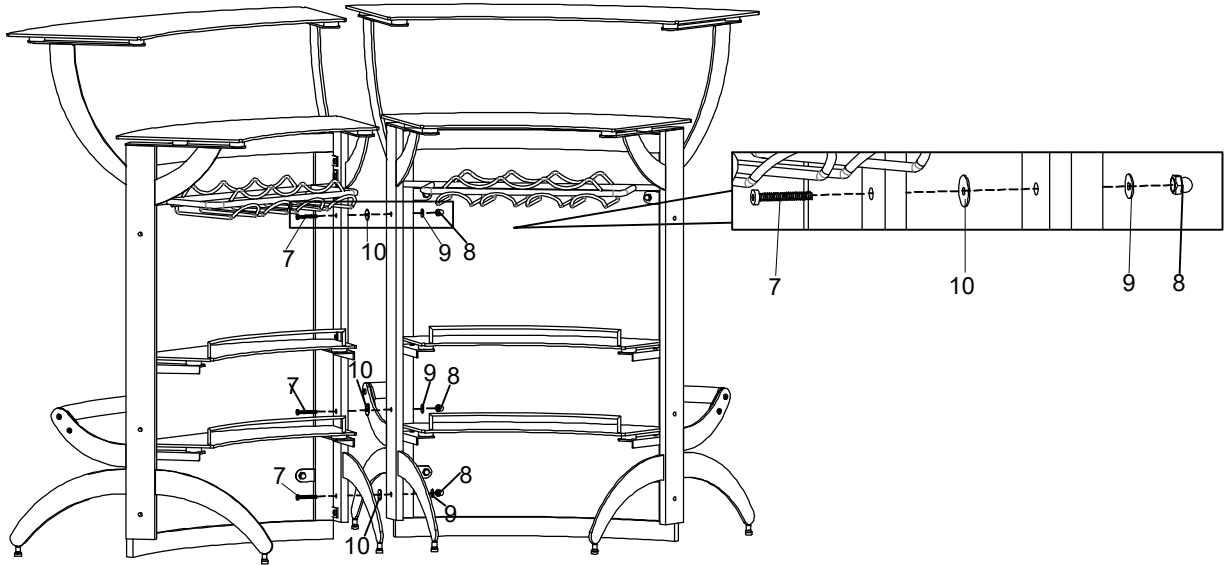
### COMPLETE



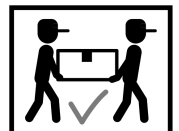
# ASSEMBLY INSTRUCTIONS

## STEP 6

NOTE: WHEN BUYING 2 OR 3 UNITS



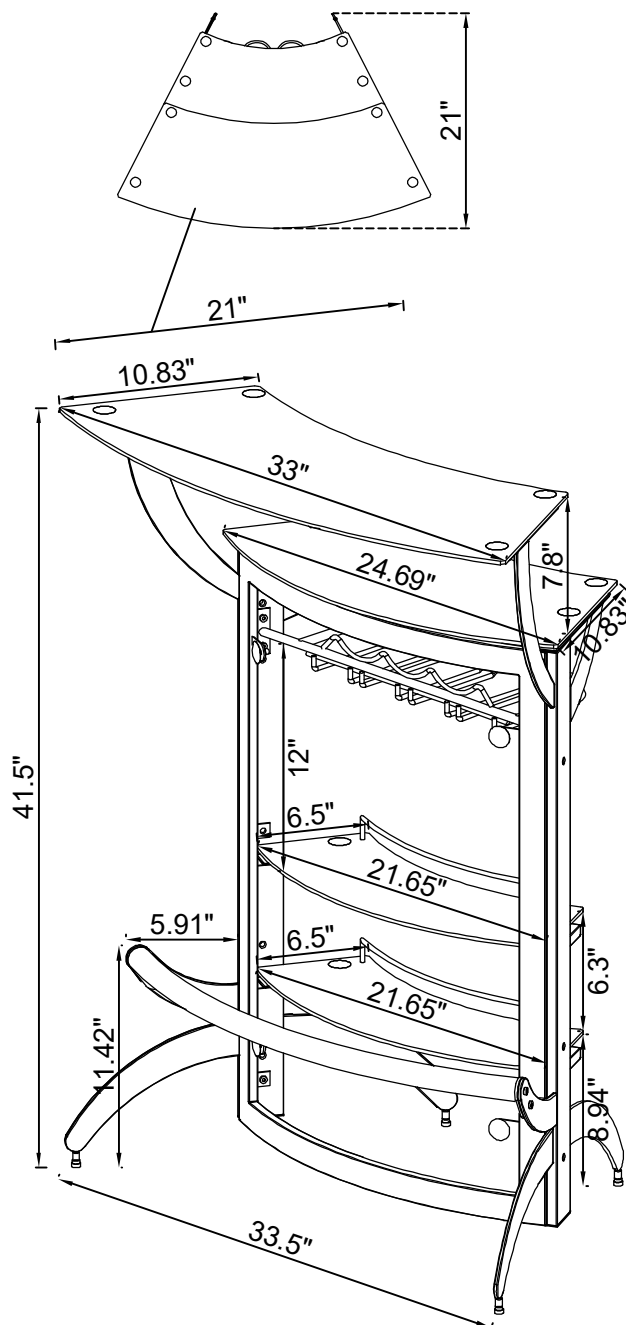
How to clean Acrylic product:  
Using a dry soft microfiber cloth, lightly brush off any dust.  
For additional care, dampen the cloth with warm water.  
For deepest cleaning, use an Acrylic cleaner.



# ASSEMBLY INSTRUCTIONS

Product Size : 851 X 533 X 1050 H (MM)

Product Size : 33 1/2" X 21" X 41 1/2"



Note : Dimension tolerance  $\pm 5\%$

