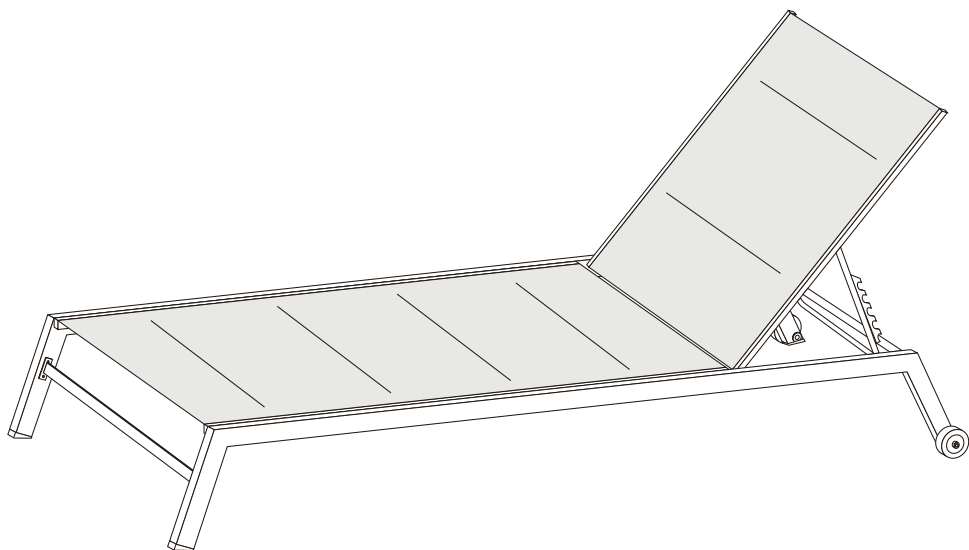


Outdoor-oversized Patio Chaise Lounge



ASSEMBLY AND OPERATION GUIDE

Warnings and Cautions

Please retain this instruction for future usage and read carefully before assembly.

Make sure you have all the parts & hardware as item list shows.

2 adults are recommended to install your chair.

Do not discard any of the packaging until you have checked that you have all the parts and pack of fittings.

Check all bolts for tightness before use, and periodically check and tighten bolts to ensure your chair works properly.

Some parts might have sharp edges/corners. Please follow basic safety precautions to reduce the risk of hurt.

Notes


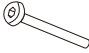


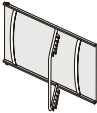

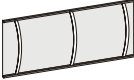




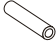






- 1. Chemicals in swimming pool's water might cause fading.*
- 2. Cleaning and drying the chairs after it rains.*
- 3. Cleaning and drying the chair in time if exposed to chemicals.*
- 4. Please cover and store it if not in use.*

CHOKER HAZARD

THIS ITEM CONTAINS SMALL PARTS WHICH CAN BE SWALLOWED BY CHILDREN.

PLEASE KEEP IT AWAY FROM CHILDREN UNDER 3 YEARS OLD AND PETS DURING INSTALLATION.

Check List

Part No.	Image	QTY		Part No.	Image	QTY
A		1		J	 M6×80	2
B		1		K	 M6×0.8×12	32
C		1		L		34
D		1		M		2
E		2		N	 M6×1.5×18	2
F		1		O	 Φ10×1.0×40	2
G		2		P	 M6	2
H	 M6×16	20		Q	 M4	1
I	 M6×35	12		R	 M6	1

1

Ax1



Bx1



Ex2



Fx1



Gx2



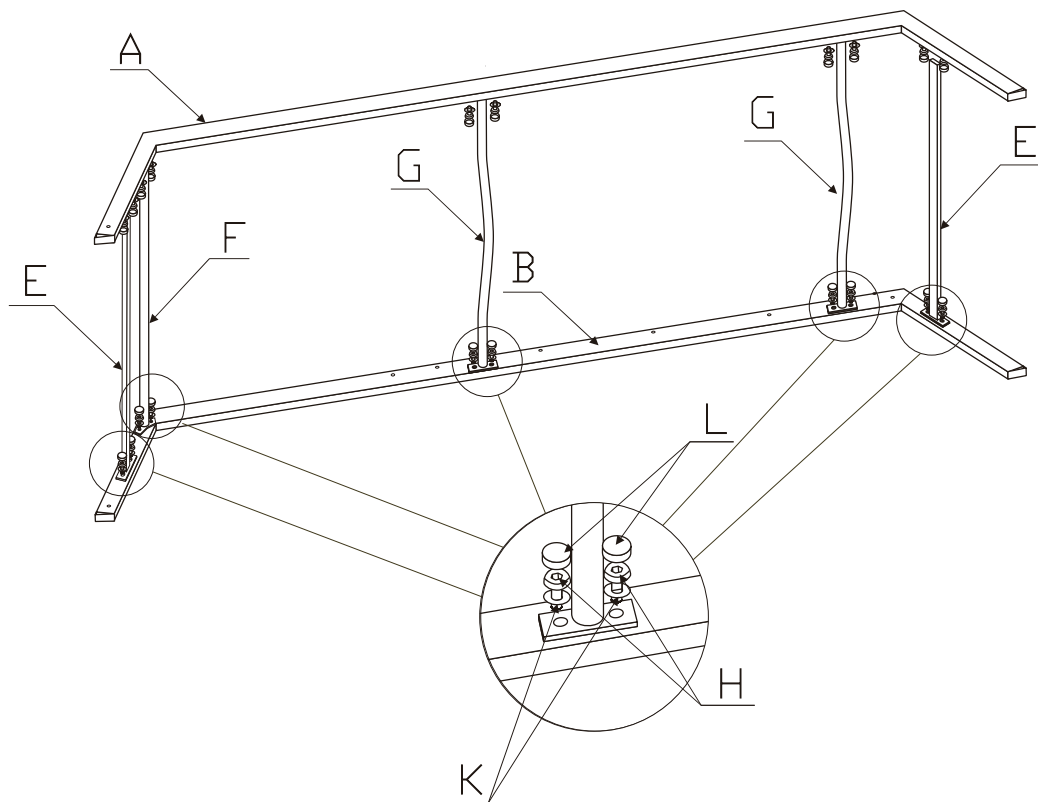
Hx20

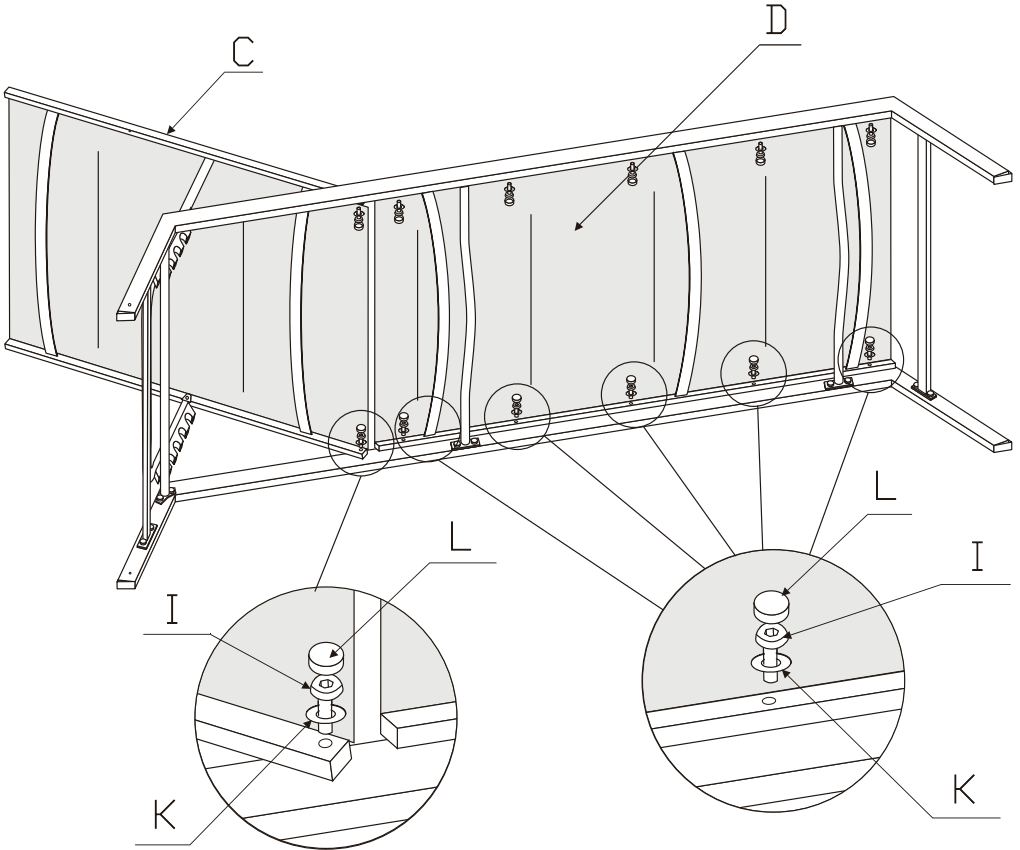
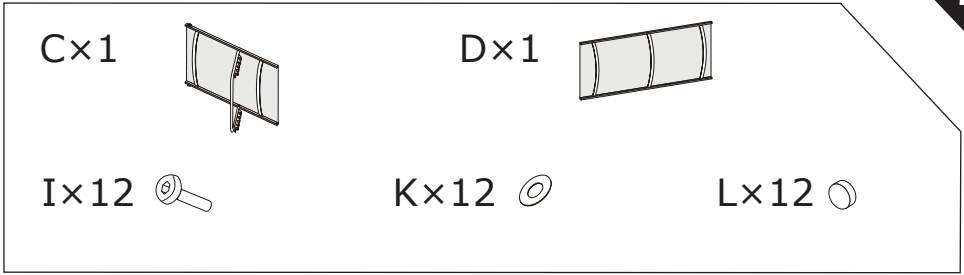


Kx20



Lx20





3

Jx2 

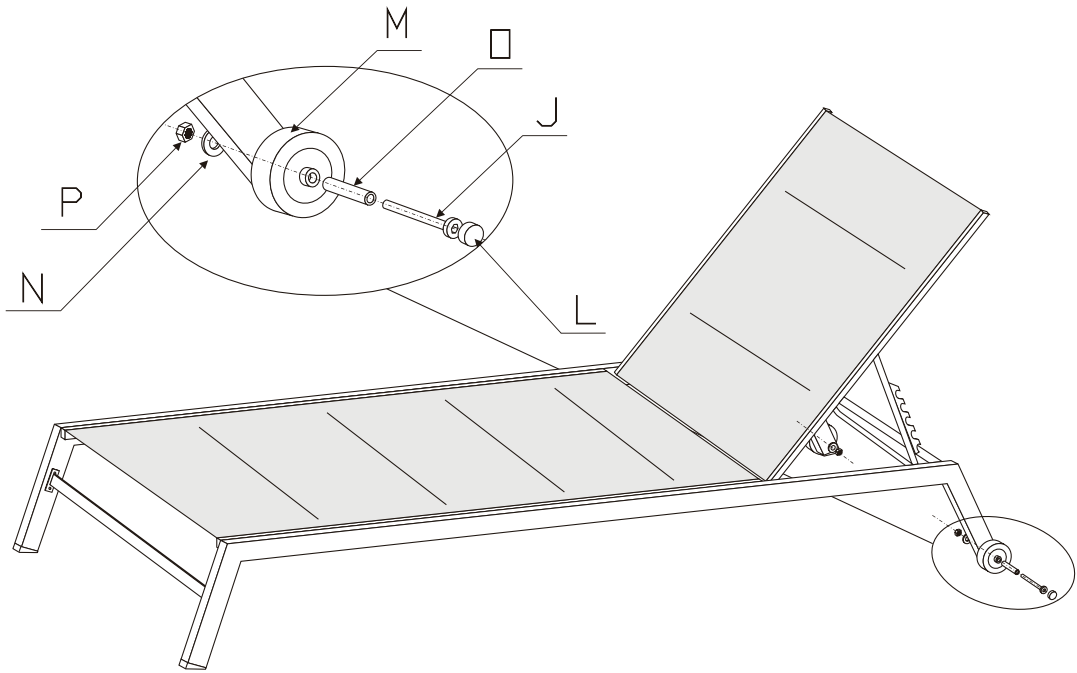
Lx2 

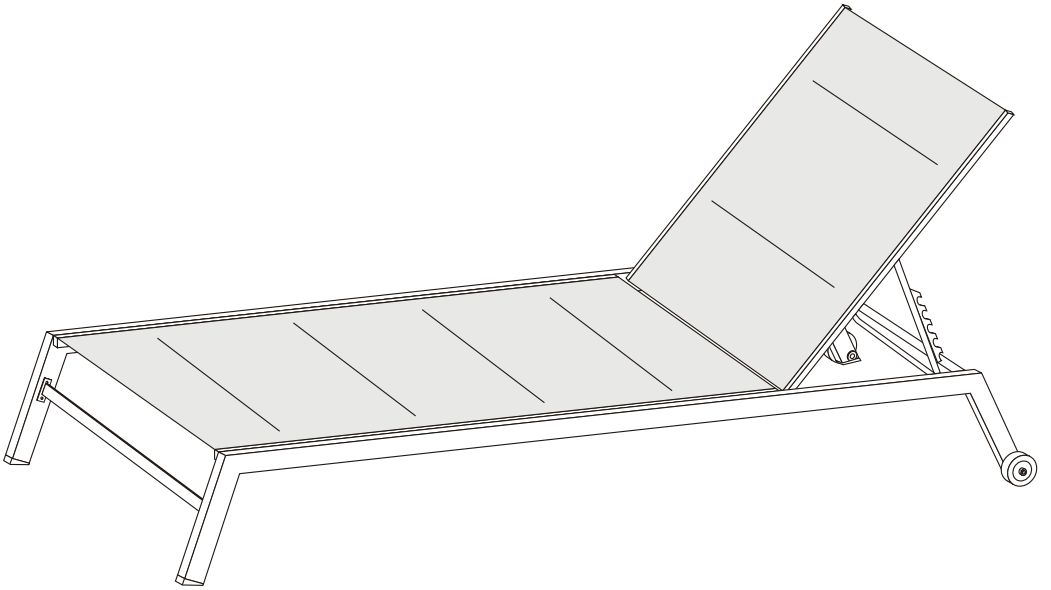
Mx2 

Nx2 

Ox2 

Px2 

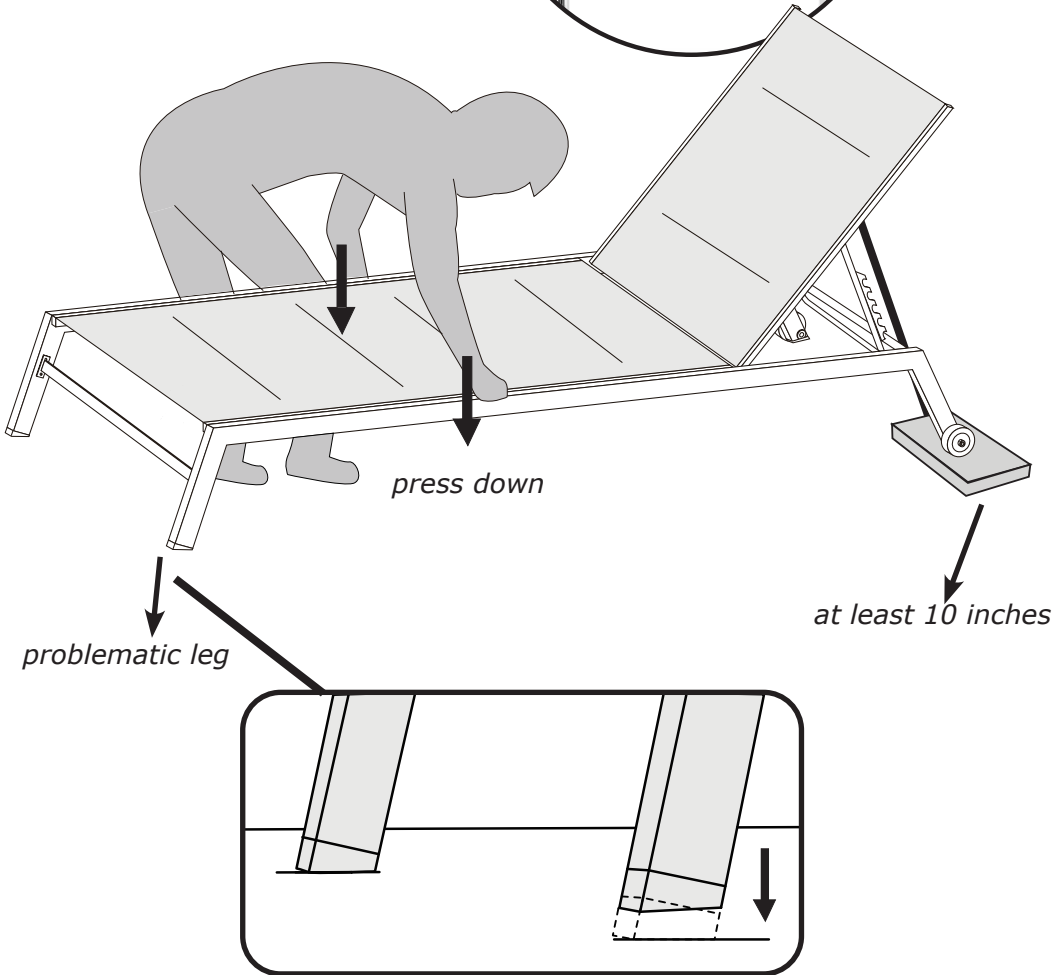
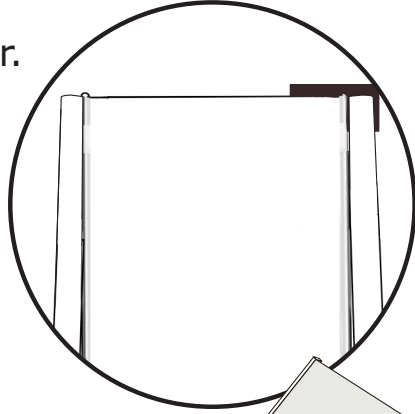




Note

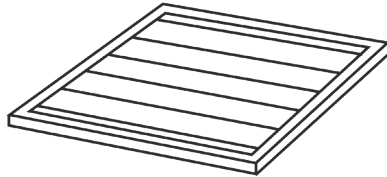
How to fix uneven chair.

The problematic leg of the chair on a higher plane or object.

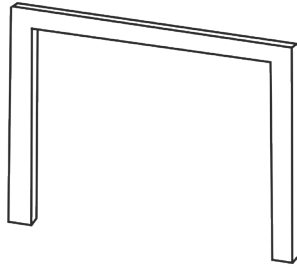


Check List

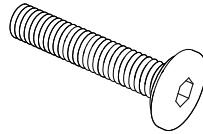
A×1



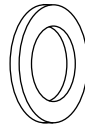
B×2



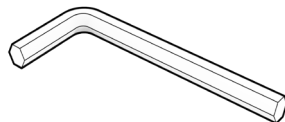
C×4
(M6×30)



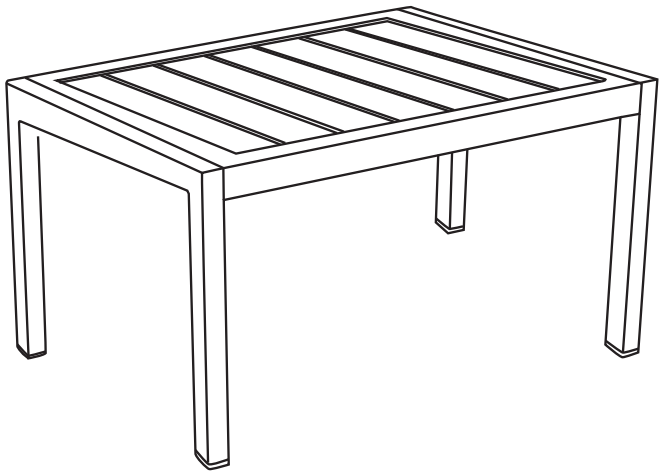
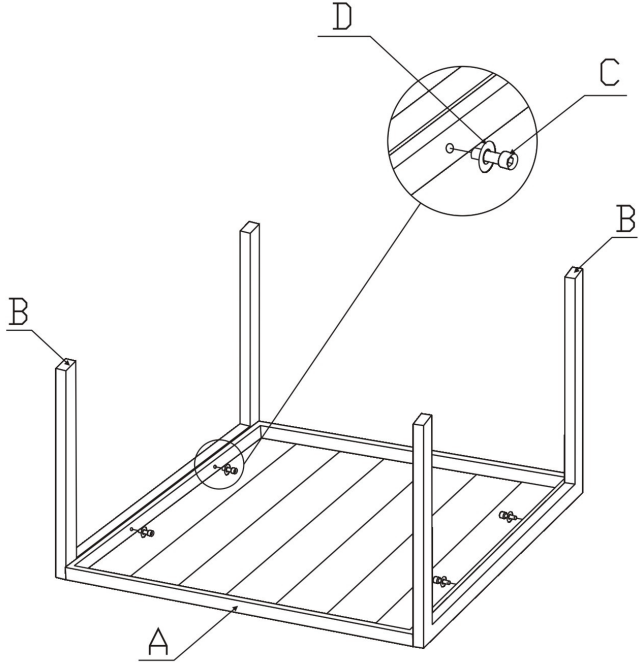
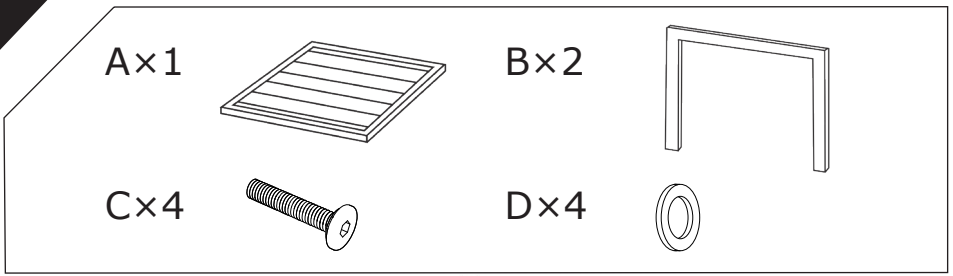
D×4
(M6)



E×1



7



Warranty

Frames

Frames constructions are warranted to be free from defects in material and workmanship for 1 year from item purchased. Damage to frame from negligence won't be covered by this warranty.

Bolts & nuts

Bolts and nuts are warranted to be free from defects in material and workmanship for 1 year from item purchased. Damage from exposure to chemicals (including not only oils, spills, fluids) won't be covered by this warranty.

Fabric

Fabric is warranted to be free from defects in material and workmanship for 1 year from item purchased. Damage from exposure to chemicals (including but not only oils, spills, fluids) won't be covered by this warranty.

Warranty Limitation

This warranty is for the original purchase order only. (Order number required). This warranty is non-transferable. is responsible for the free replacement part including shipping charges for the 1 year warranty.

Warranty Exclusion

This warranty does not cover products subject to negligence, abuse usage, inappropriate installation. We reserves the right to explain warranty exclusions. When the replacement item is applied, the 1 year warranty automatically expires. Please feel free to contact us for applying warranty.