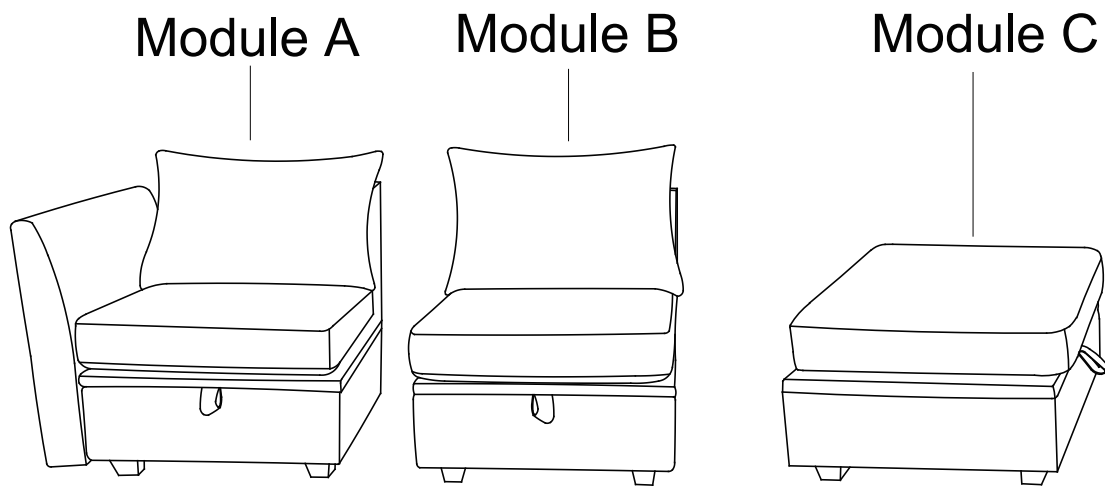


# **Assembly Manual**

## **Modular Sectional Sofa**

### **1283**

Please read this manual carefully before any operation and keep it properly for future use.



After assembling ABC separately, combine them according to the purchased quantity

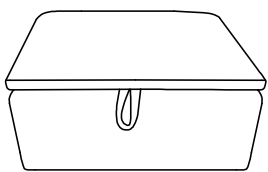
Module A installation steps refer to P2-5

Module B installation steps refer to P6-9

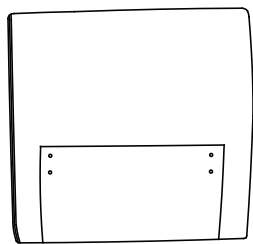
Module C installation steps refer to P10-11

# Components List-Module A

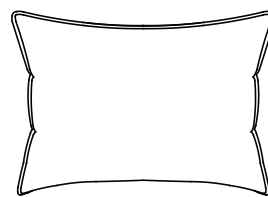
In addition to the normal required quantity,  
A has 1 spare part



Sofa ① \*1



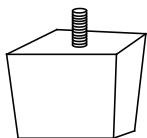
Arm/Back ② \*2



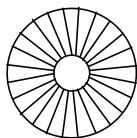
Pillow ③ \*1



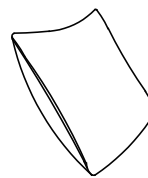
Cushiion ④ \*1



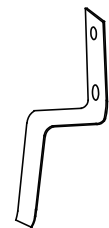
Feet/Feet Pad ⑤ \*6



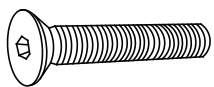
Plastic Gasket ⑥ \*6



Small pillow ⑦ \*1



Iron sheet ① \*4



M6\*30mm ② \*8



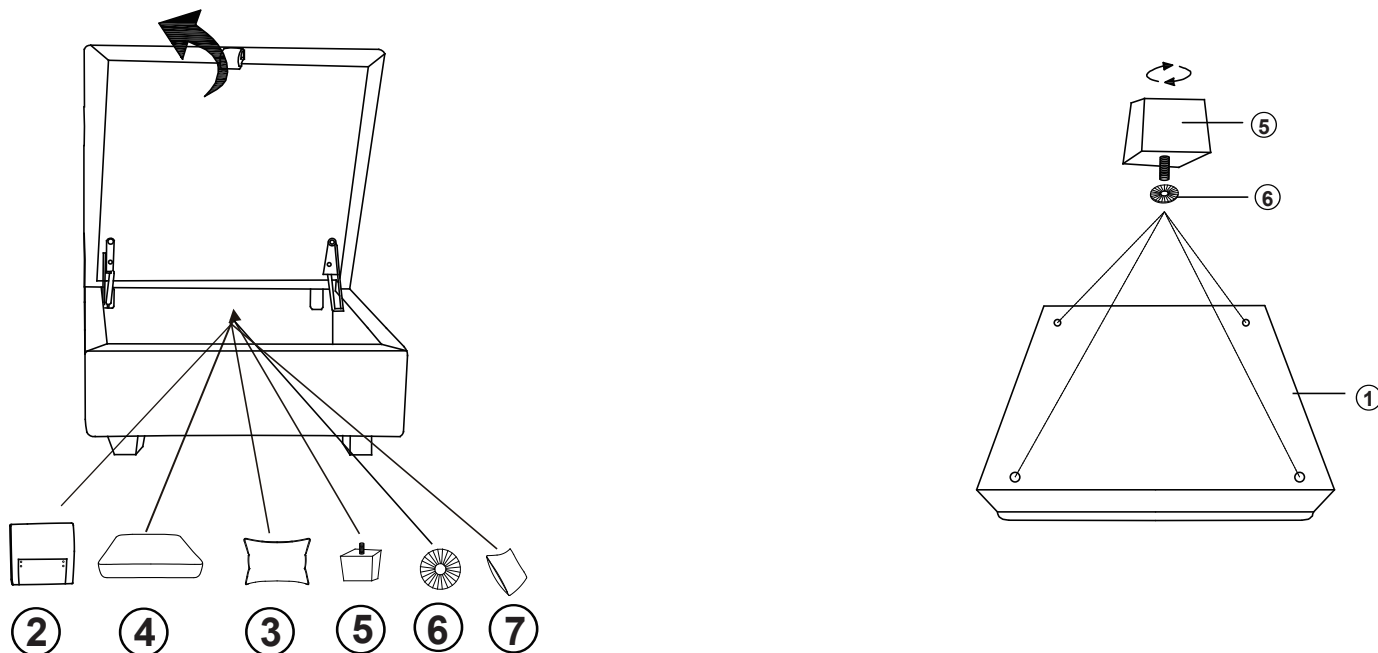
Spaqqner ③ \*1



Connector ④ \*2

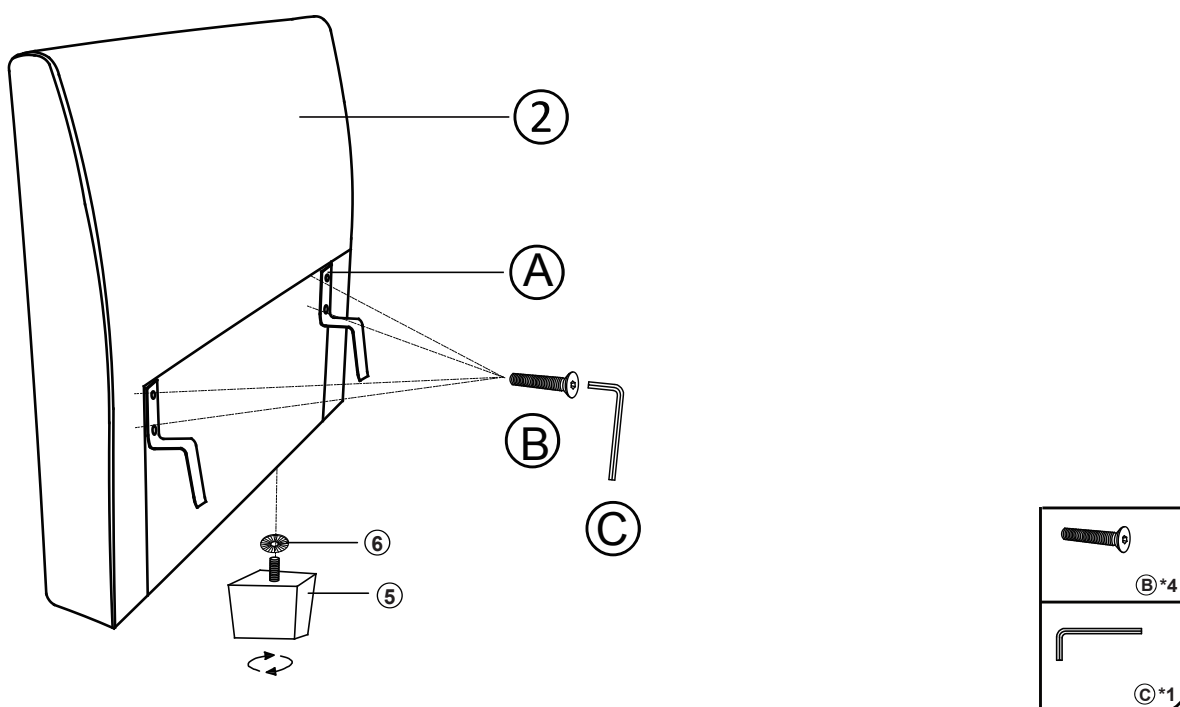
## Step 1

Please follow the feet of the sofa first.



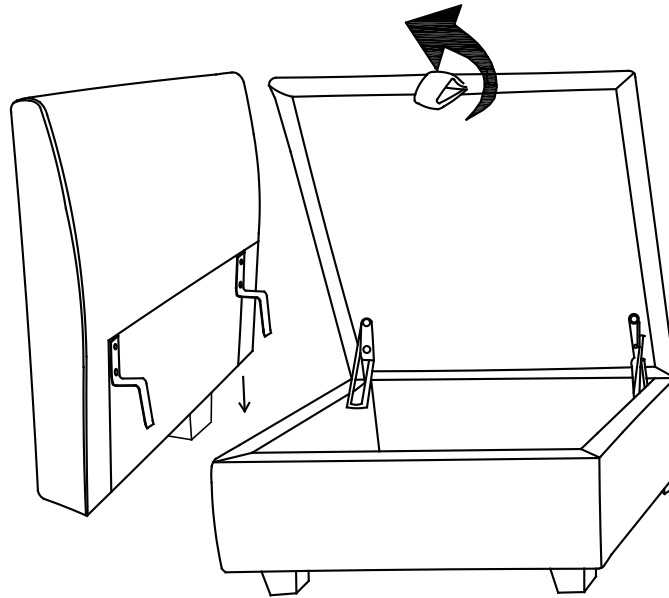
## Step 2

Please screw in the armrest/backrest iron first, Twist one foot under the backrest.



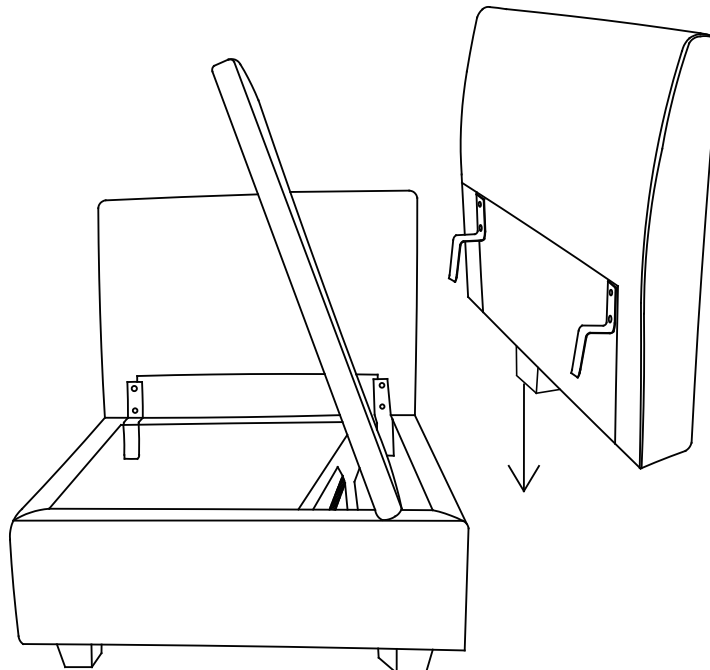
Step 3

Please open the cover of the sofa and insert the armrest into the frame.



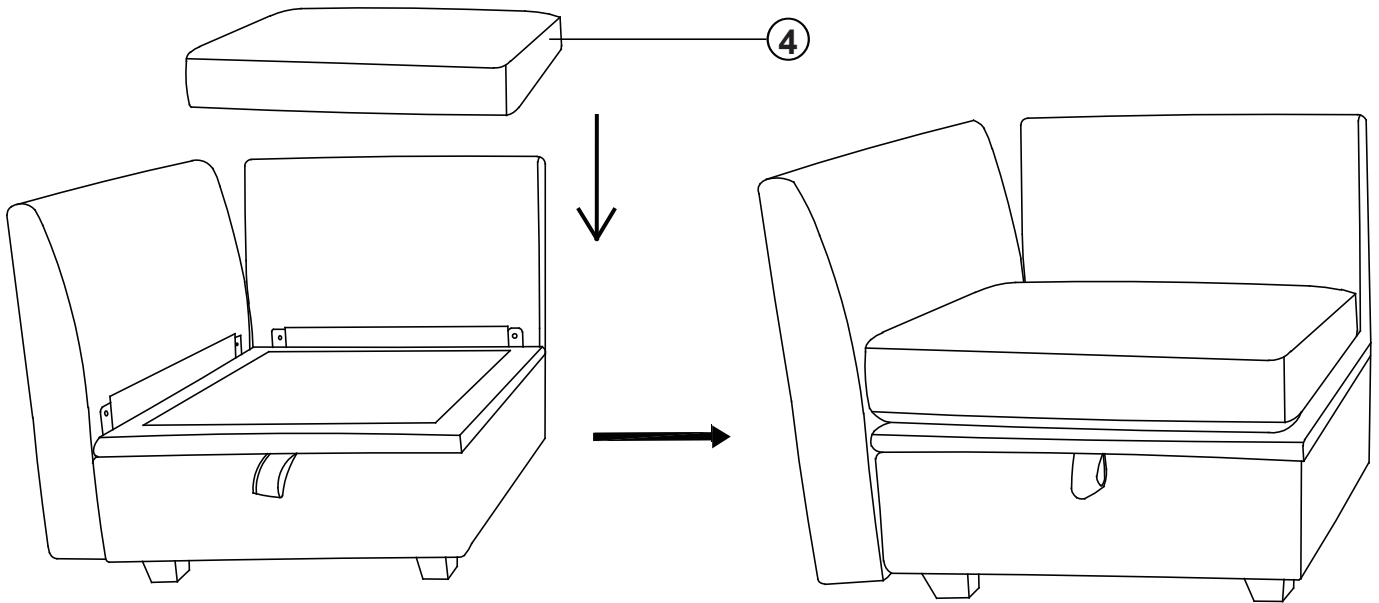
Step 4

Please open the cover of the sofa and insert the backrest into the frame.



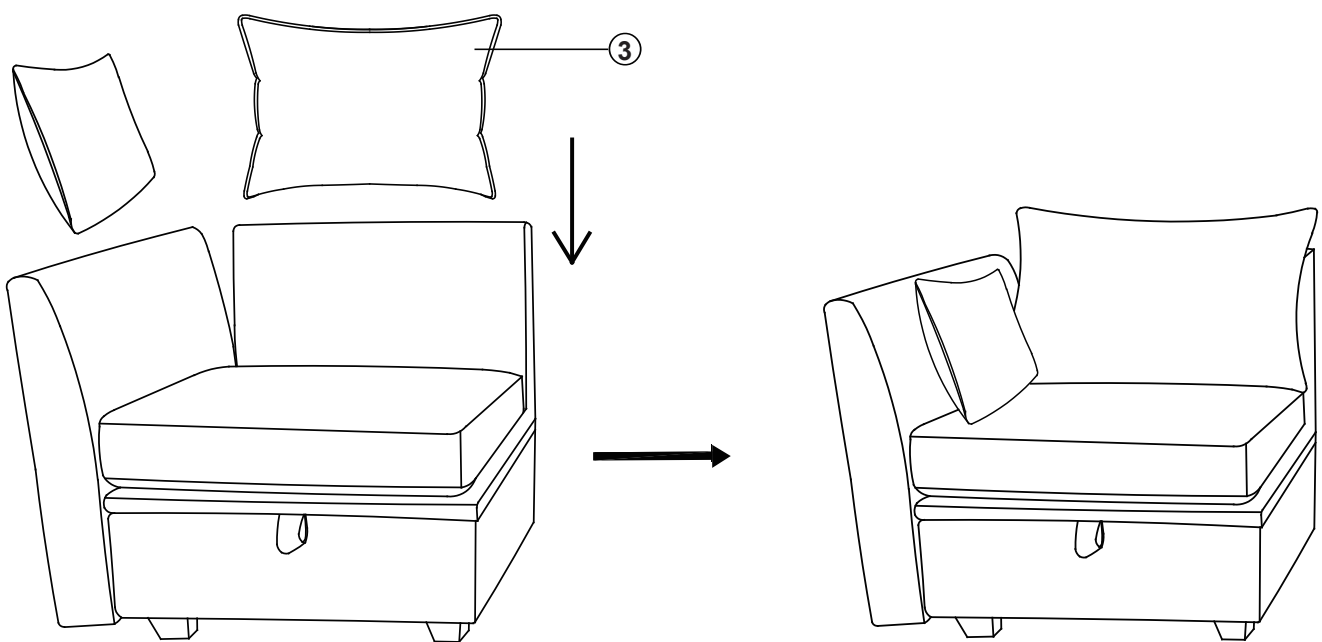
Step 5

Please put the cushion on the sofa.



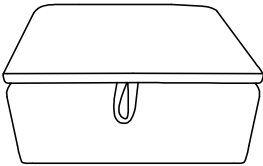
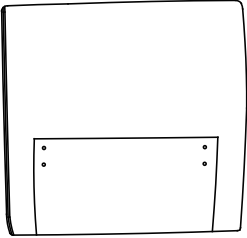
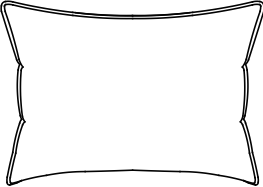

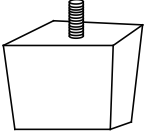
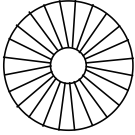

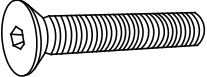


Step 6

Please put the pillow on the cushion.



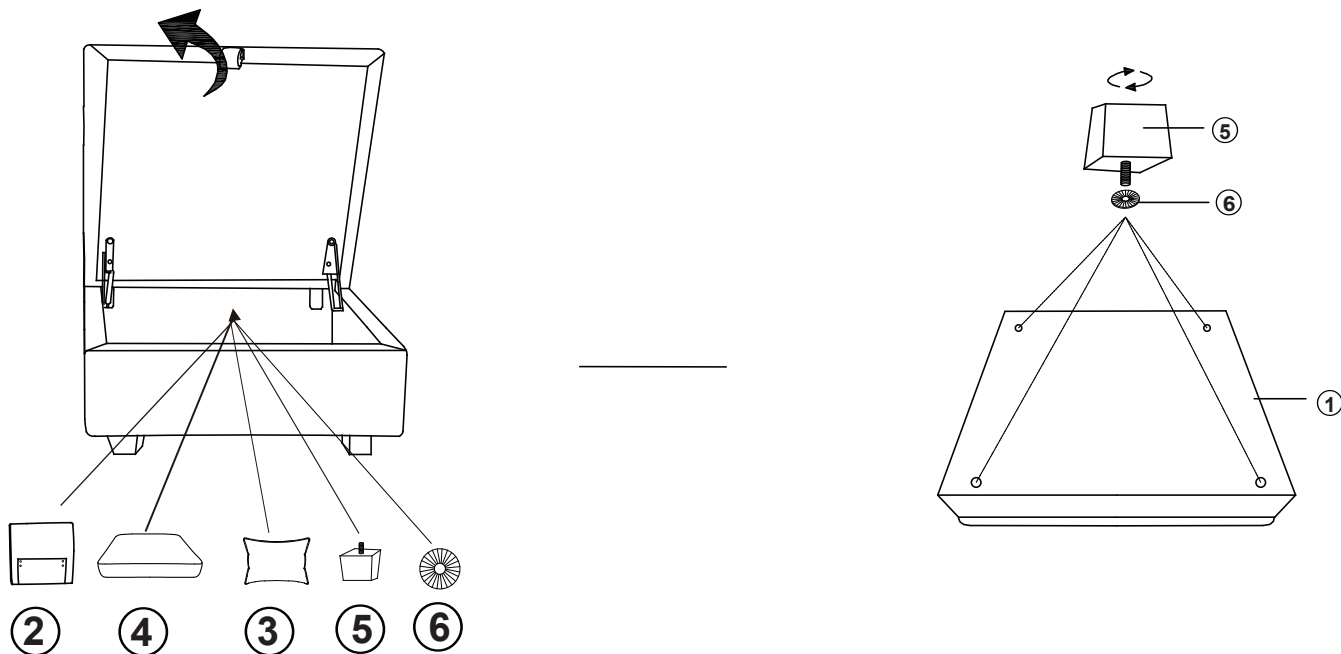
# Components List-Module B

In addition to the normal required quantity,  
A has 1 spare part

 <p><b>Sofa</b> ① *1</p>	 <p><b>Arm/Back</b> ② *1</p>	 <p><b>Pillow</b> ③ *1</p>	 <p><b>Cushion</b> ④ *1</p>
 <p><b>Feet/Foot Pad</b> ⑤ *5</p>	 <p><b>Plastic Gasket</b> ⑥ *5</p>	 <p><b>Iron sheet</b> ① *2</p>	 <p><b>M6*30mm</b> ② *4</p>
 <p><b>Spanner</b> ③ *1</p>	 <p><b>Connector</b> ④ *2</p>		

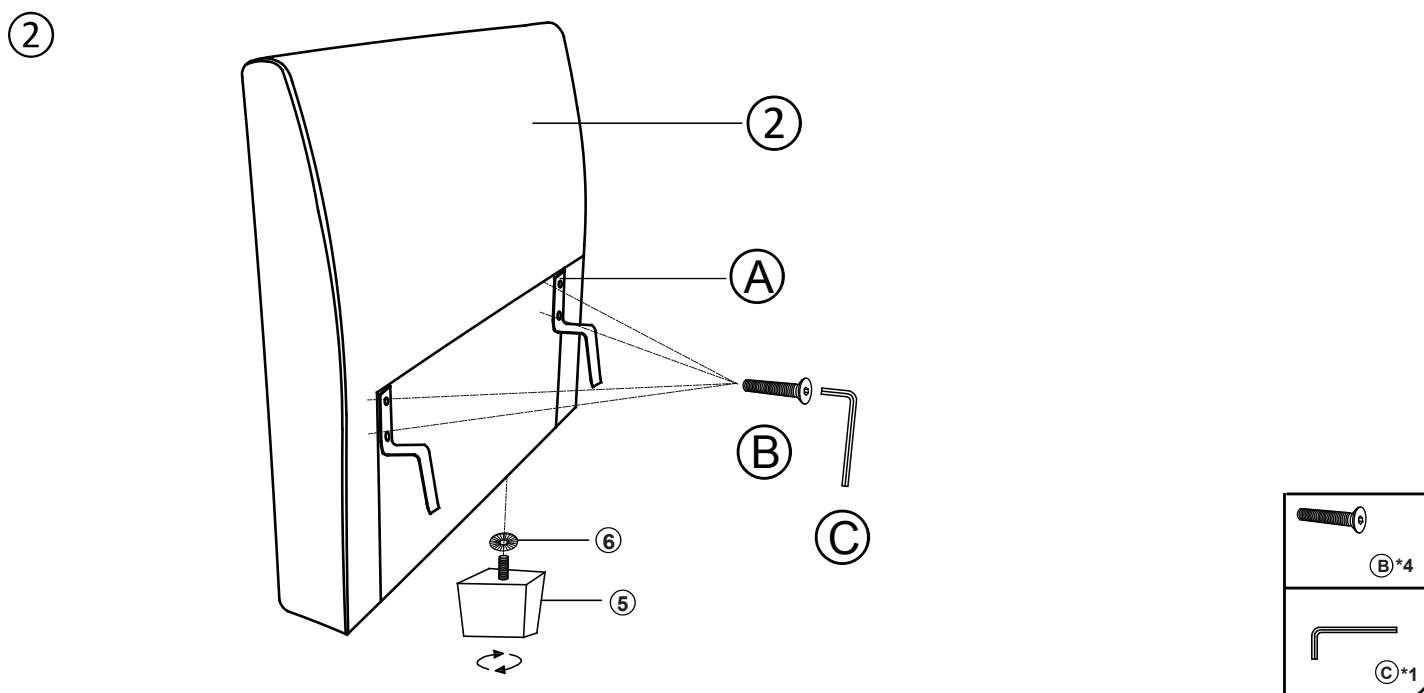
## Step 1

Please follow the feet of the sofa first.



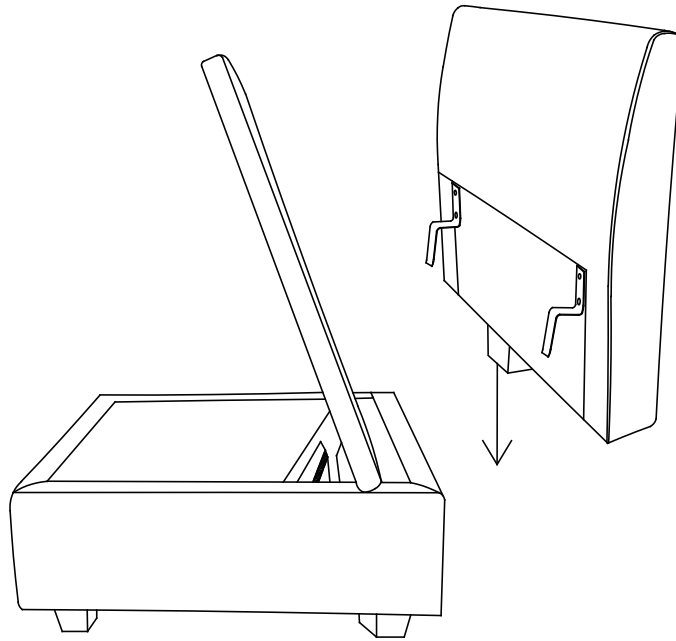
## Step 2

Please screw in the armrest/backrest iron first, Twist one foot under the backrest.



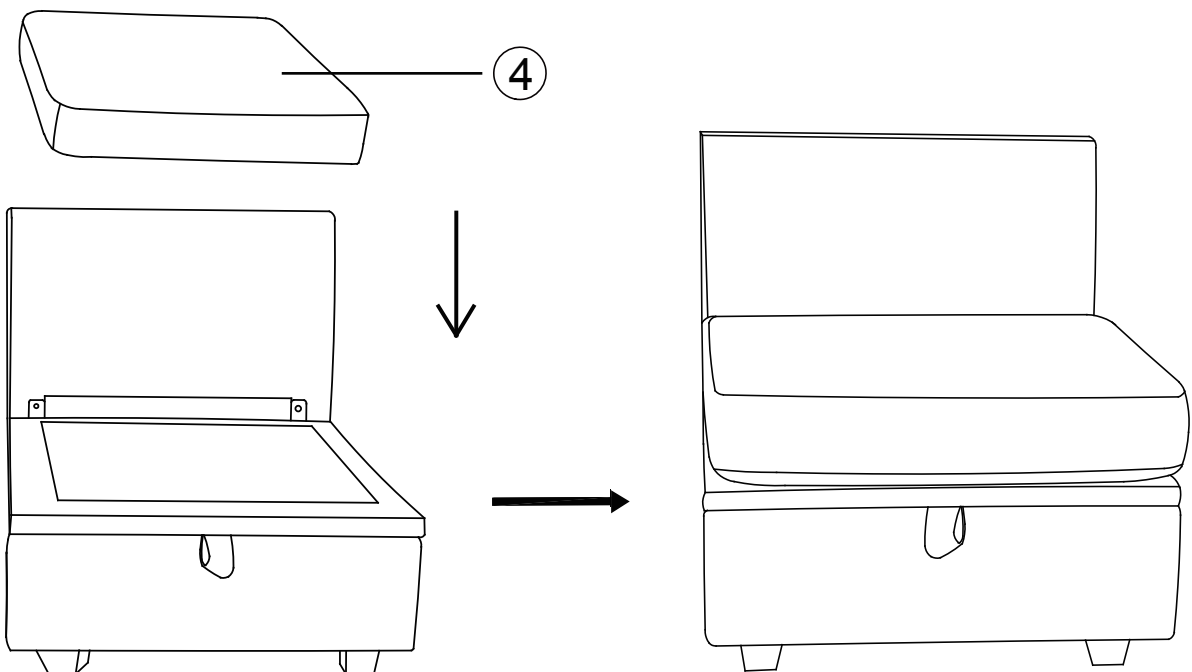
Step 3

Please open the cover of the sofa and insert the backrest into the frame.



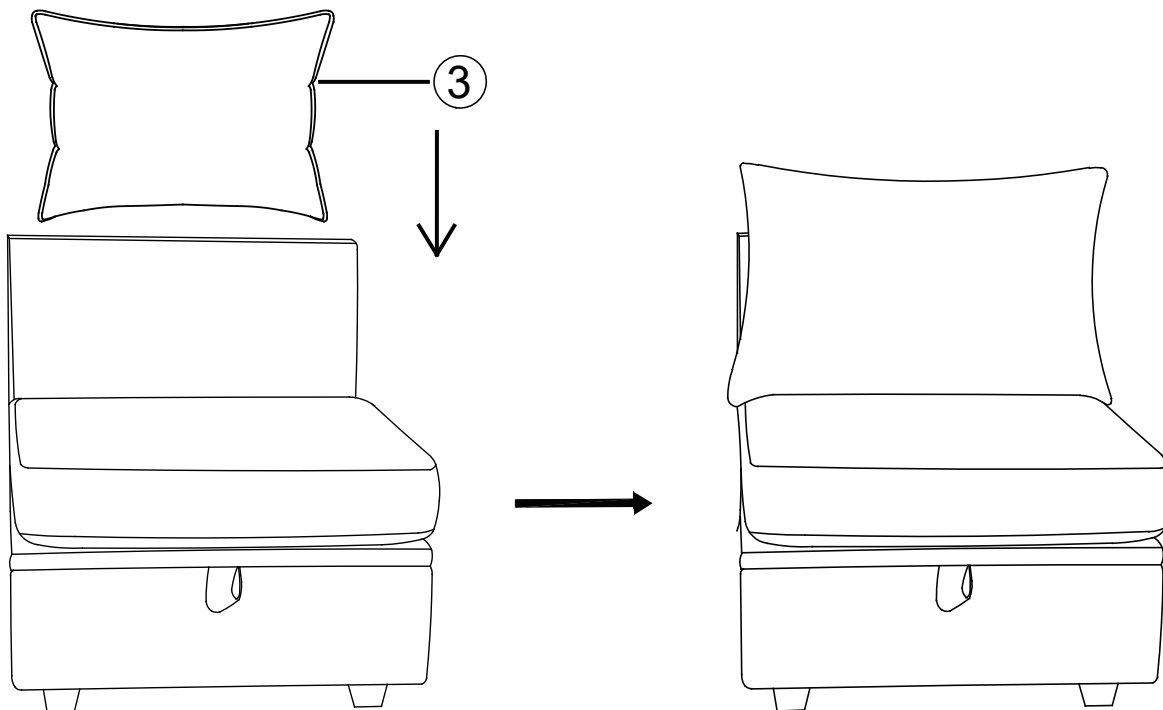
Step 4

Please put the cushion on the sofa.

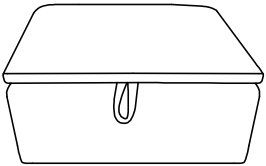

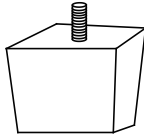
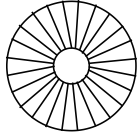



Step 5

Please put the pillow on the cushion.

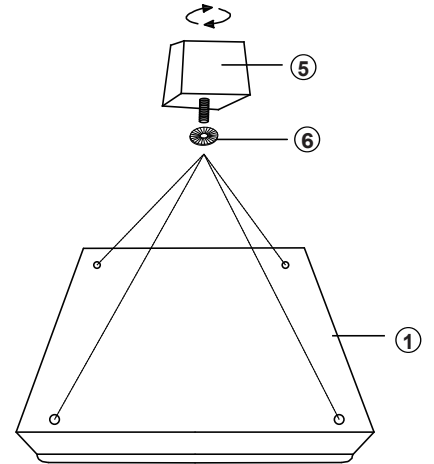
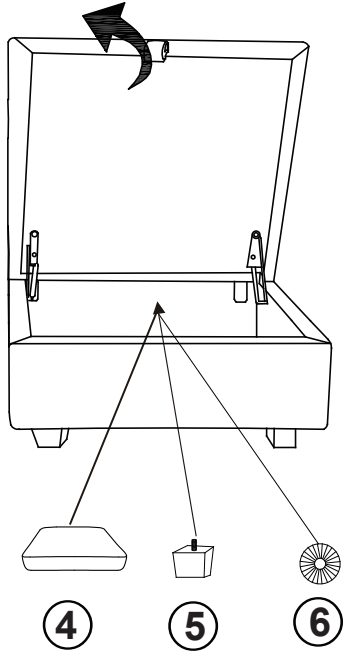


# Components List-Module C

 <p><b>Sofa</b> ① *1</p>	 <p><b>Cushiion</b> ④ *1</p>	 <p><b>Feet/Feet Pad</b> ⑤ *4</p>	 <p><b>Plastic Gasket</b> ⑥ *4</p>
 <p><b>Connector</b> ①D *2</p>			

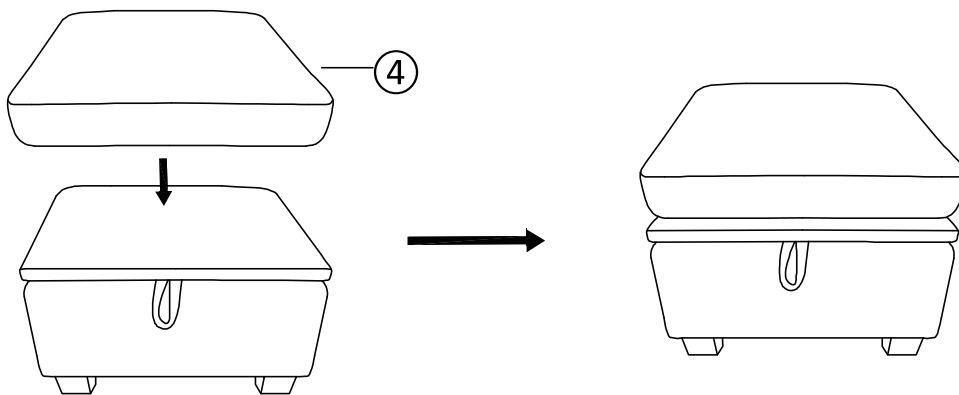
## Step 1

Please follow the feet of the sofa first.



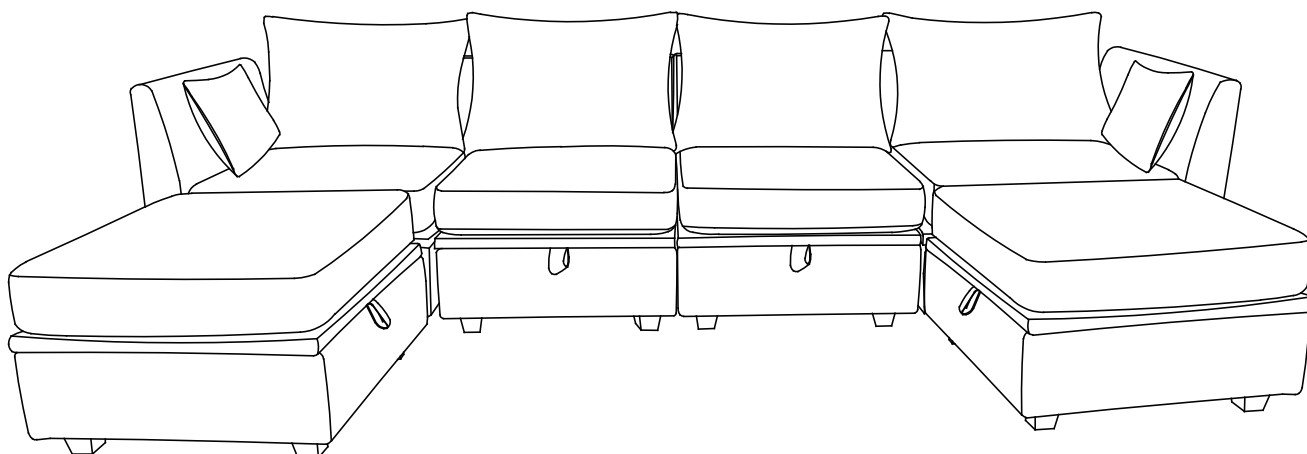
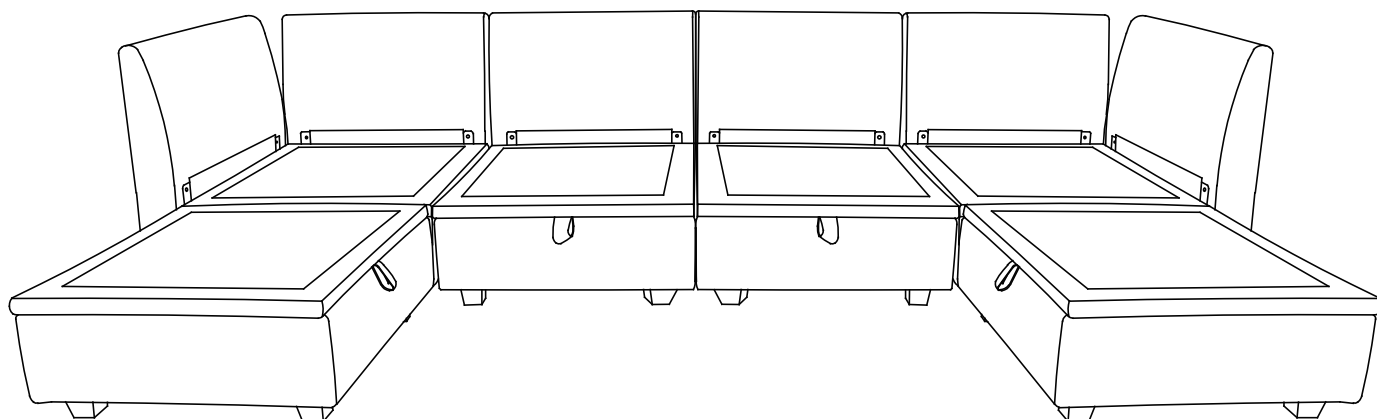
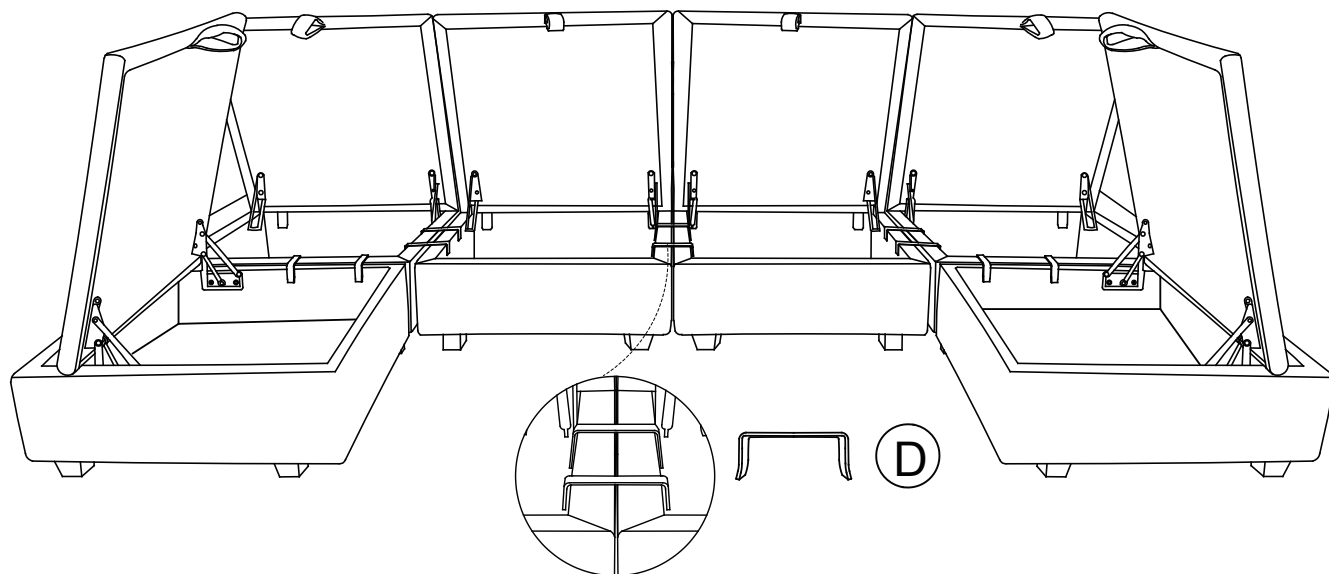
## Step 2

Please put the cushion on the sofa.



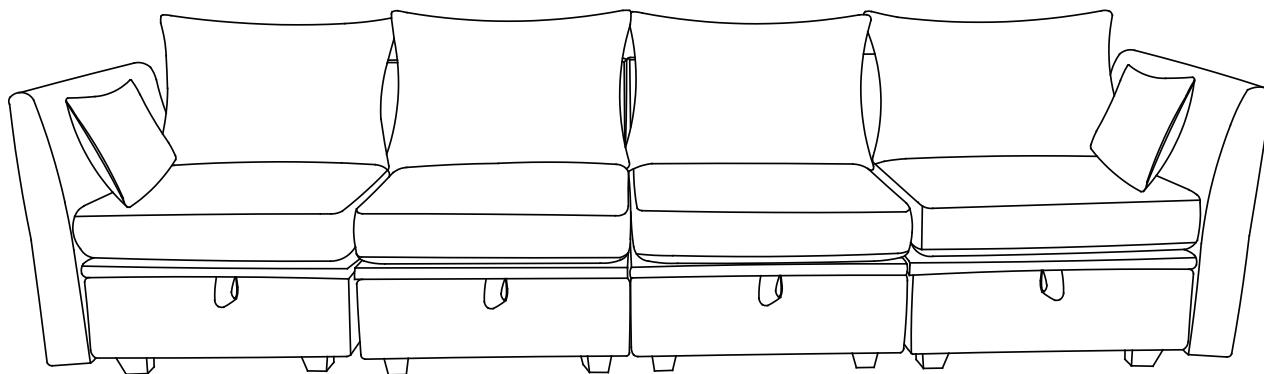
Fix the assembled sofa together with D and then place the seat cushion and backrest on top

## -U Shaped installation

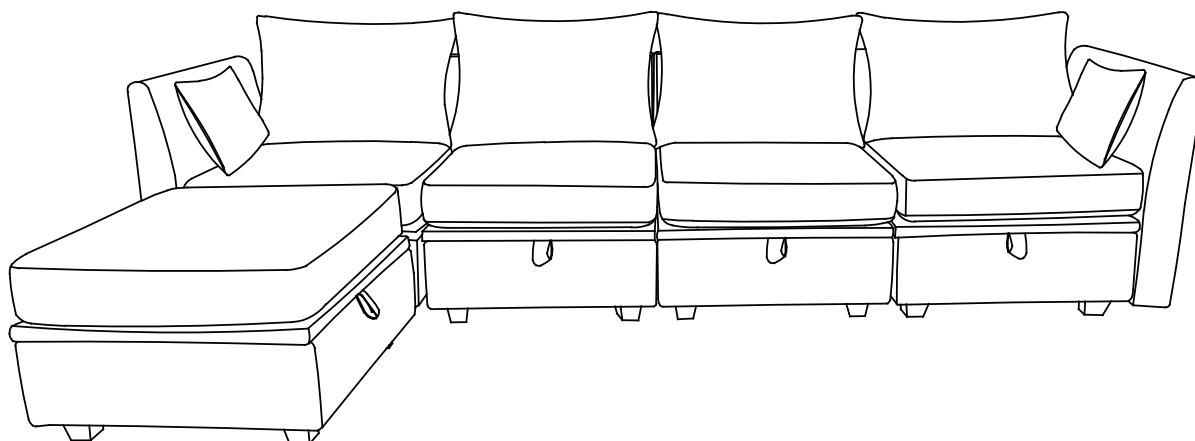


Please install according to the combination method purchased

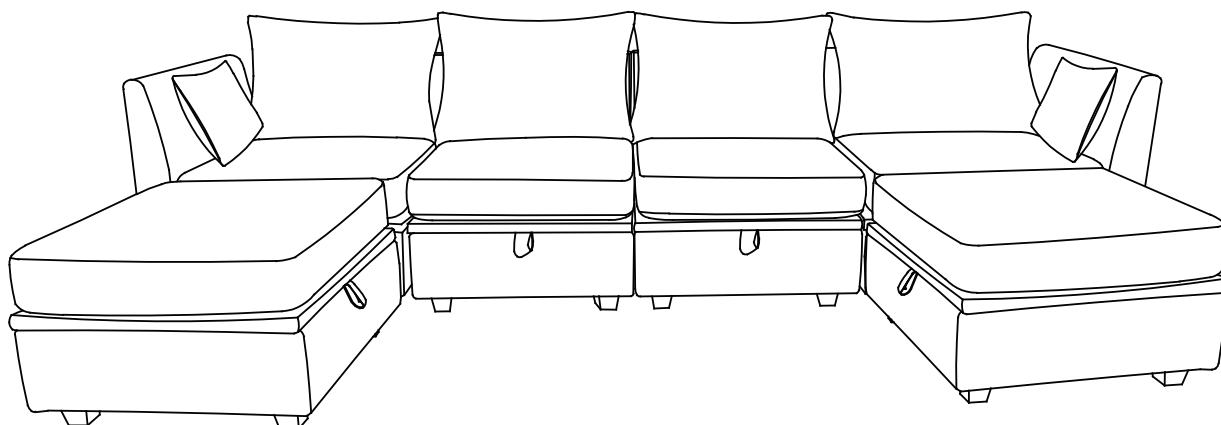
This sofa of 2 Modules A, 2 Modules B



This sofa of 2 Modules A, 2 Modules B, 1 Modules C

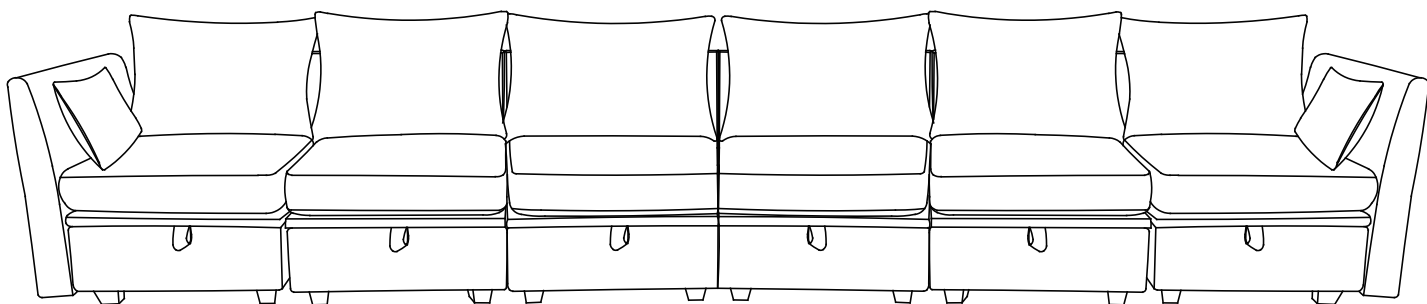


This sofa of 2 Modules A, 2 Modules B, 2 Modules C

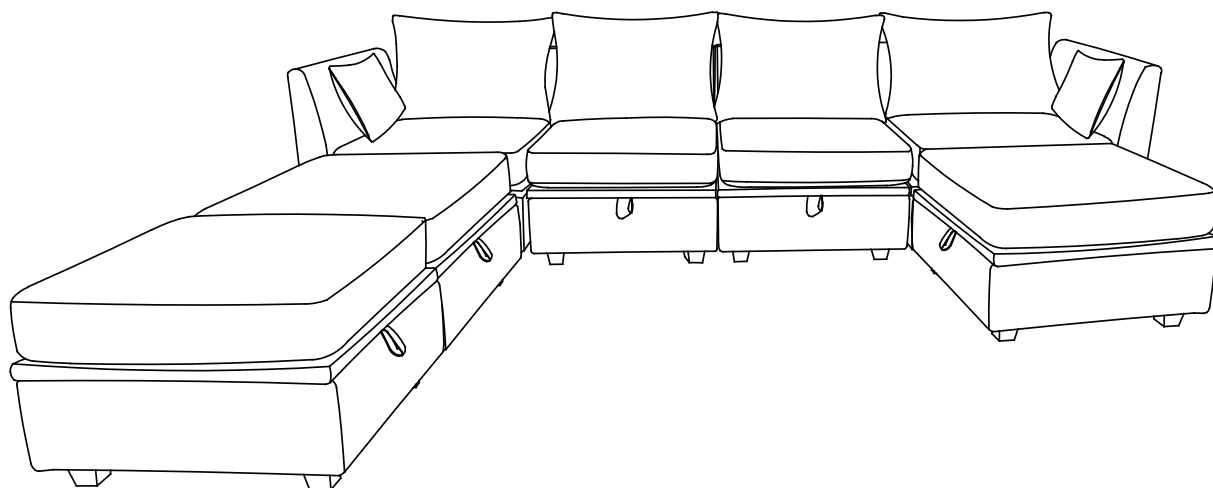


Please install according to the combination method purchased

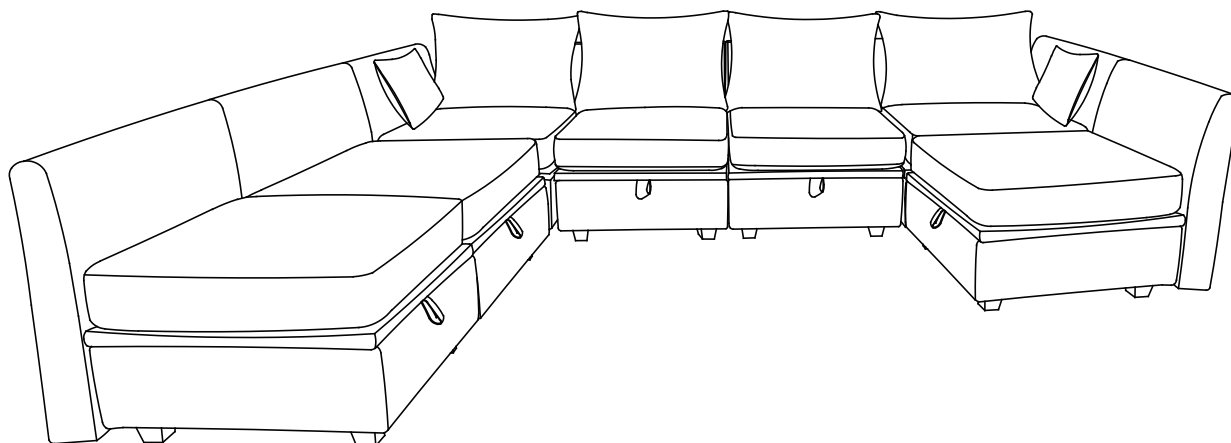
This sofa of 2 Modules A, 4 Modules B



This sofa of 2 Modules A, 2 Modules B, 3 Modules C

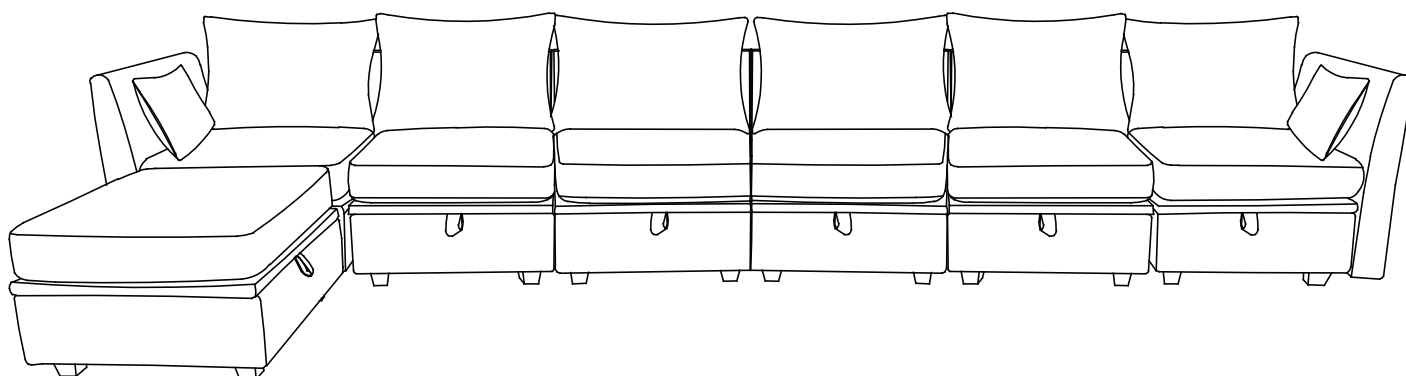


This sofa of 2 Modules A, 5 Modules B



Please install according to the combination method purchased

This sofa of 2 Modules A, 4Modules B,1 Modules C



This sofa of 2 Modules A, 4Modules B,2 Modules C

