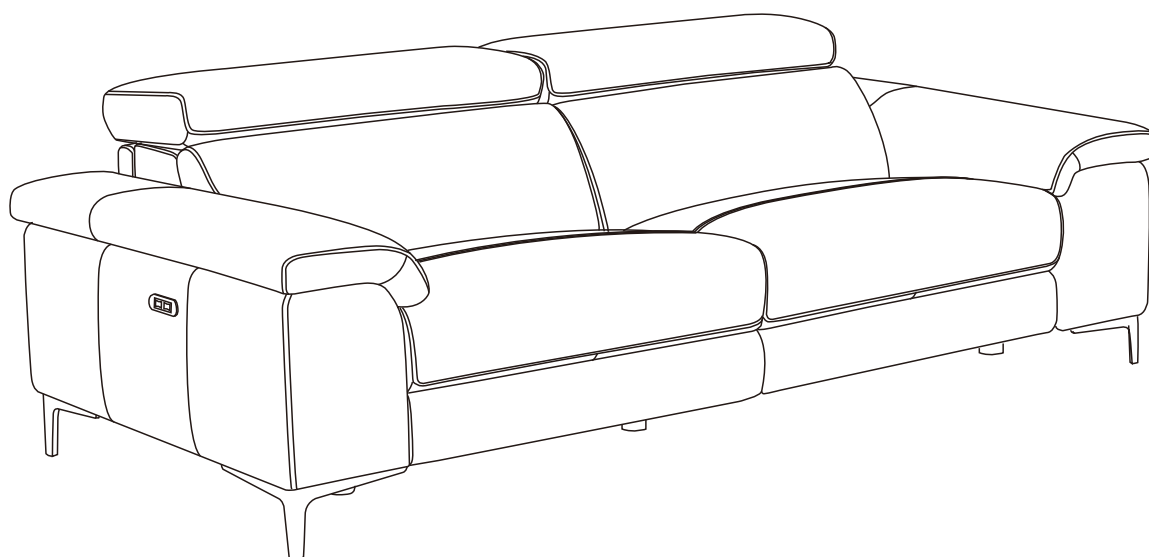


Power Reclining Sofa

5320

Assembly Manual



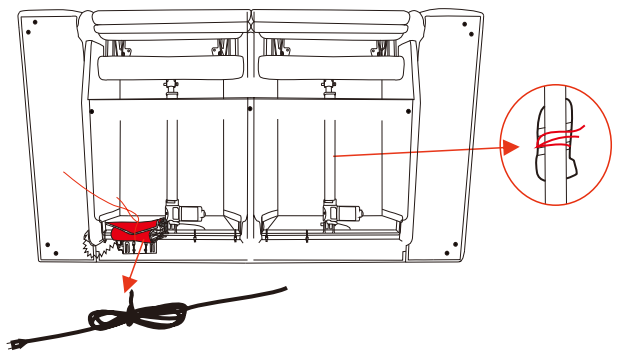
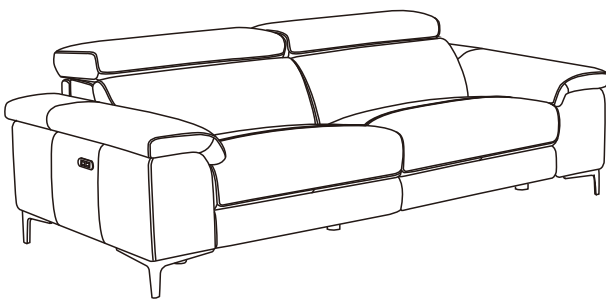
 **CAUTION**

THIS ASSEMBLY MANUAL CONTAINS IMPORTANT SAFTY INFORMATION.PLEASE
READ AND KEEP FOR FUTURE REDERENCE.

ASSEMBLY

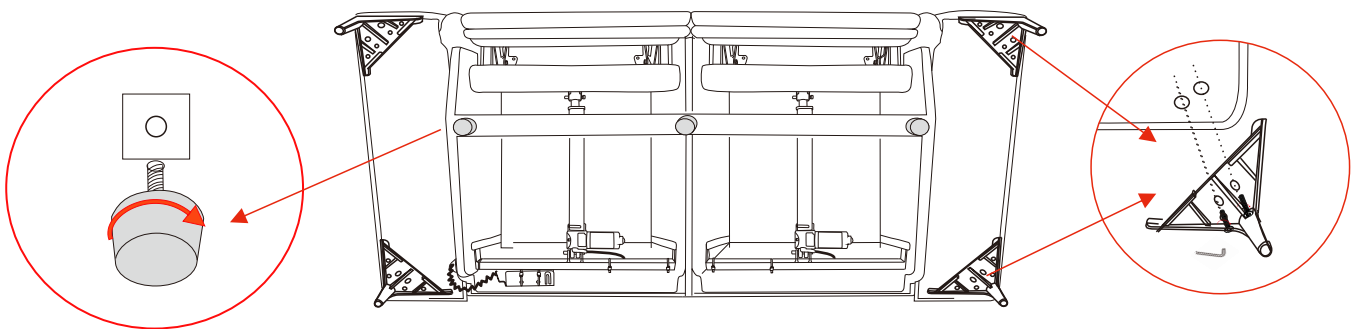
Step 1

Take out and unwarp the cable placed at the bottom of the sofa.







Step 2

Open the parts box and find below parts.



Screw the center legs into the pre-drilled holes and tighten securely.

Use the wrench to tighten each corner screws and complete the assembly of metal legs.

-  x4 Metal leg
-  x3 Center leg
-  x1 Allen wrench
-  x8 Screw 10*30mm

ASSEMBLY

Step 3

