

## NOTICE

\*Please make sure that you have all parts indicated and they are in good condition before you begin assembly of this item. Refer to part list and hardware list below for guidance.

\*This item should be assembled on a soft surface to prevent scratching the finish during assembly.

\*This item may require periodic tightening.

\*If you are having difficulty, our friendly Customer Care team is always here to help.

## PREPARATION

\* Before beginning assembly of product, make sure all parts are present. Compare parts with part contents list and hardware contents list.

\* If any part is missing or damaged, do not attempt to assemble the product.

\* Estimated Assembly Time: 10 minutes.

\* **Tools Required for Assembly (included): Allen Key**

## CARE AND MAINTENANCE


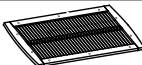




### OUTDOOR FURNITURE CARE

Store outdoor furniture indoors or cover well when not in use. Remove wooden furniture from standing

Dust regularly with small brush or vacuum.

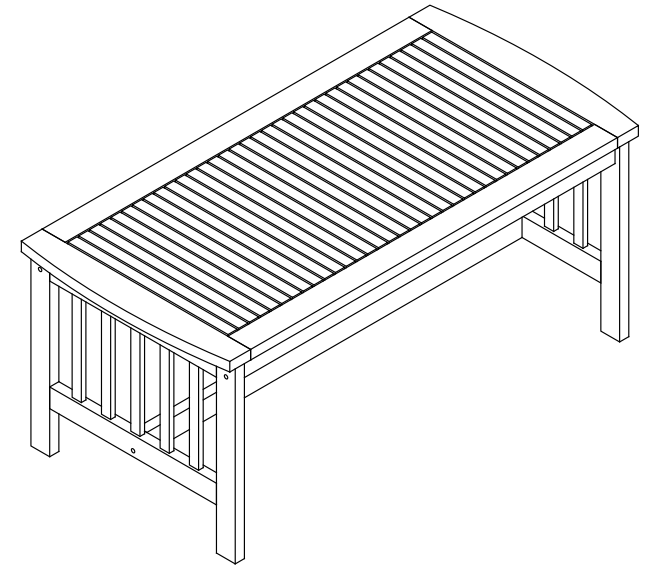
Spills should be taken care of immediately before they harden or stain with a slightly dampened sponge.<sup>water.</sup>

### Part List and Hardware List

PIECE	DESCRIPTION	PICTURE	QUANTITY
A	Frame leg		2X
B	Top Table		1X
C	Cross bar 1		2X
D	Cross bar 2		1X
HW1	Screw: M6x0.5x60 mm		12X
HW2	Allen key 4		1X

## Installation & Assembly

Product Dimensions: 40.2" W x 19.7" D x 16.9" H



**WARNING**



**Weight Capacity : 40 lbs**

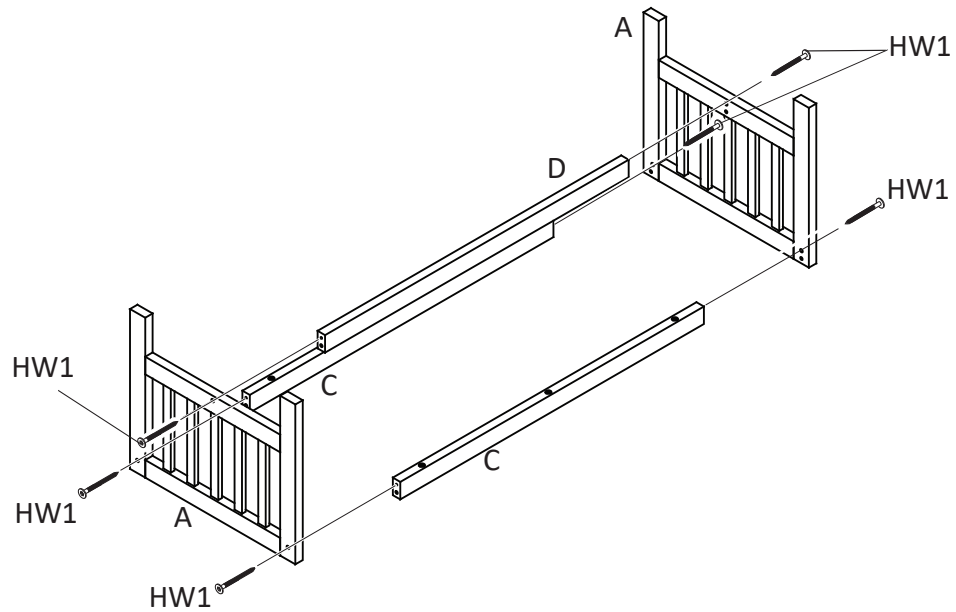
**Warning : Do not stand on table**

**Warning : Do not over torque bolts / screws**

# PREPARATION

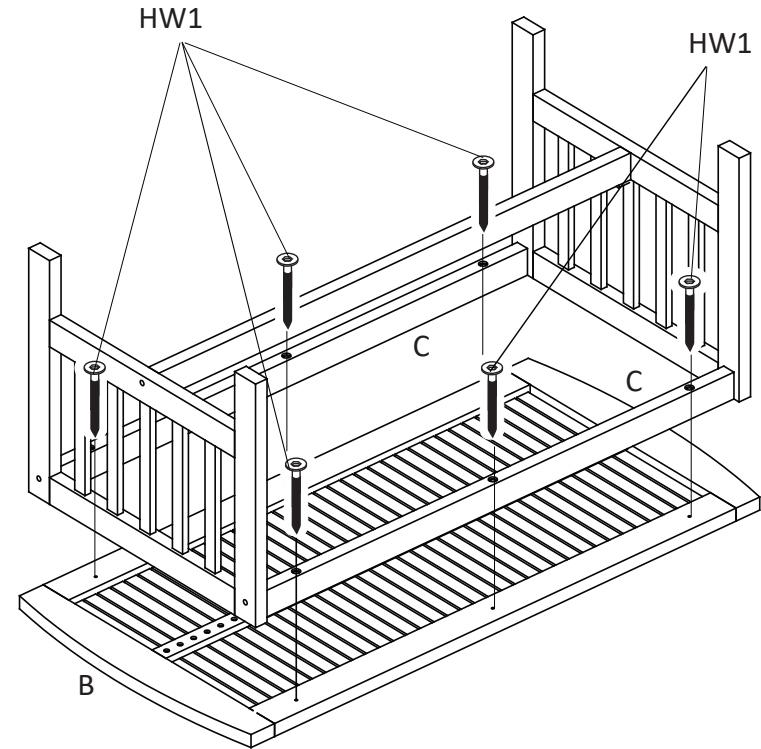
- \*Before beginning assembly of product, make sure all parts are present. Compare parts with package contents list and hardware contents list.
- \*If any part is missing or damaged, do not attempt to assemble the product.
- \* Estimated Assembly Time : 10 minutes.
- \* Tools Required for Assembly (included): Allen Key
- \* If you are having difficulty, our friendly Customer care team is always here to help.

1



Step 1  
Attach Leg frame (A) to (C),(D),use allen key (HW2) to tighten screws (HW1).

2



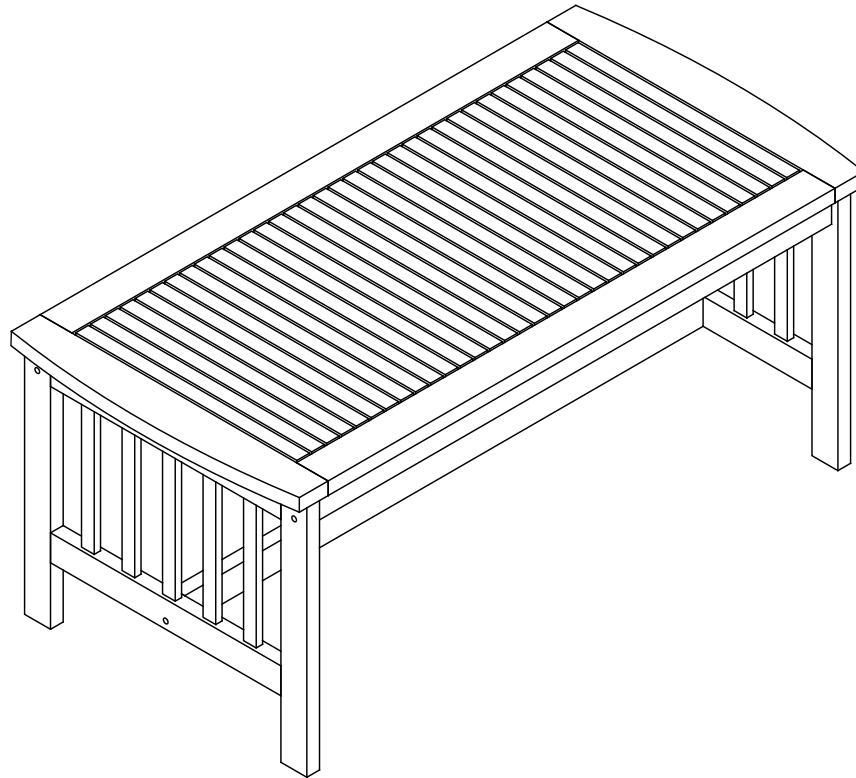
Step 2  
Attach (A),(C),(D) to (B), use allen key (HW2) to tighten screws(HW1).

## PREPARATION

---

- \*Before beginning assembly of product, make sure all parts are present. Compare parts with package contents list and hardware contents list.
- \*If any part is missing or damaged, do not attempt to assemble the product.
- \* Estimated Assembly Time : 10 minutes.
- \* Tools Required for Assembly (included): Allen Key
- \* If you are having difficulty, our friendly Customer care team is always here to help.

3



Step 3  
Complete.