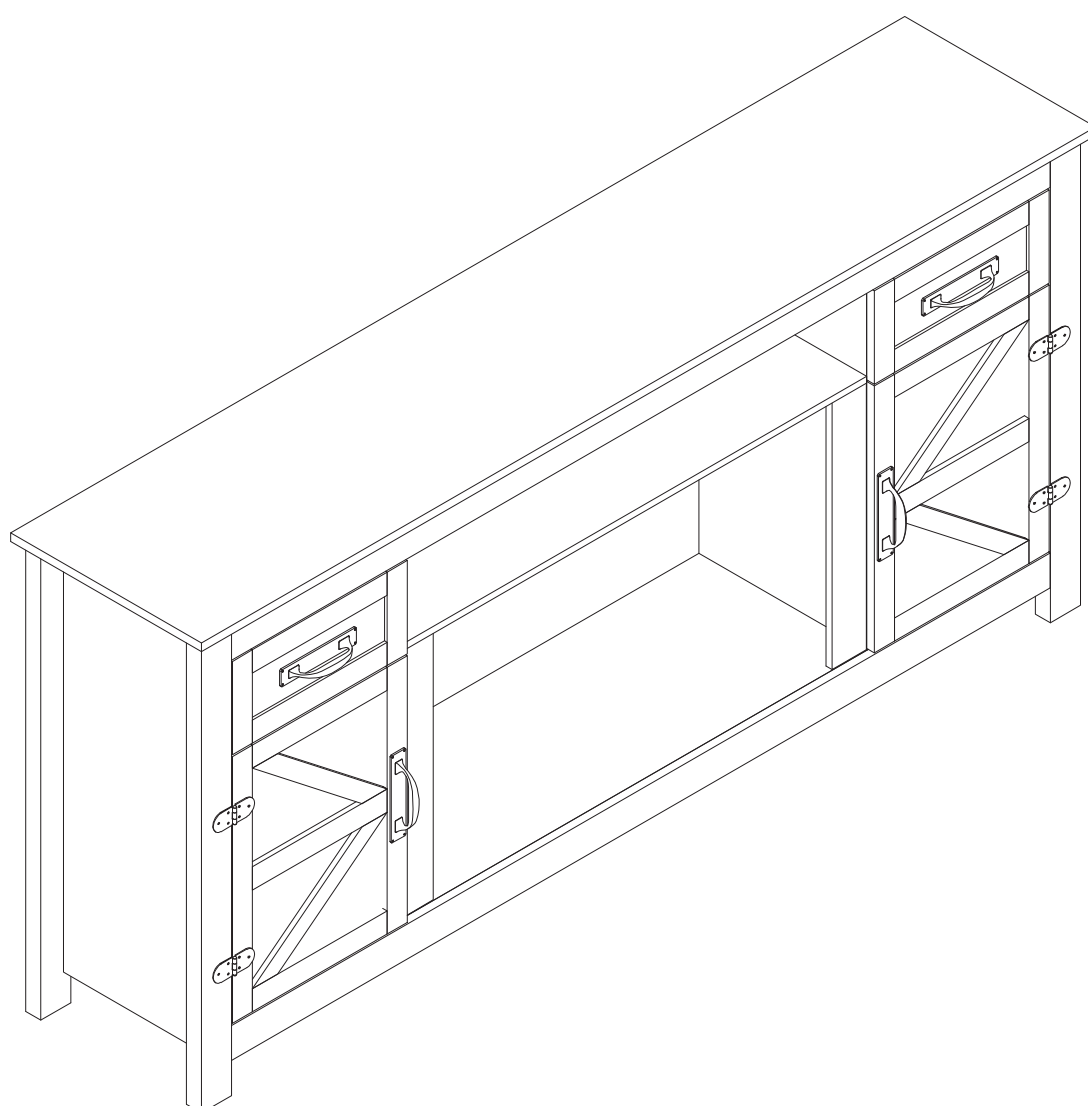


MANUAL INSTRUCTIONS



ATTENTION



1. The product must be assembled and used according to the manual. The seller is not liable for any damage caused by incorrect assembly or misuse.
2. Do not sit or stand on the product.
3. Place the item on a flat surface.
4. Keep small parts away from children to avoid choking hazards.
5. Keep product away from corrosive gases, liquids and dusty environment.
6. Keep the original box(es) until assembly is complete or no quality issues need to be confirmed.

AFTER-SALE SERVICE

If you have any suggestions or encounter quality issues with our products, please contact us first. Our after-sales team will respond within 24 hours, and we will do our best to provide a solution until you are satisfied.

GUARANTEED CUSTOMER SERVICE

Your shopping experience is very important to us!

If you feel unsatisfied or have any questions, just contact us without any hesitation!

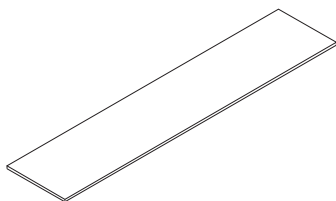
If you want to share how wonderful our smart product makes your home, you can share your pictures with us!

For further information, contacts immediately:

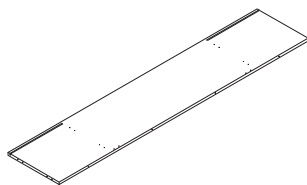


service@kmcglobe-us.com

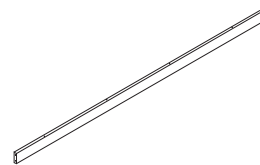
PARTS



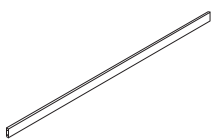
1 × 1



2 × 1



3 × 1



4 × 1



5 × 1



6 × 1



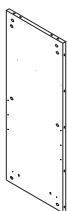
7 × 1



8 × 1



9 × 1



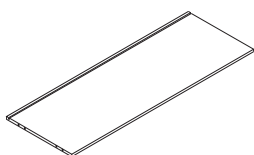
10 × 1



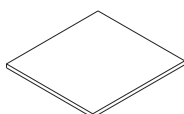
11 × 1



12 × 1



13 × 1



14 × 2

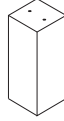


15 × 1

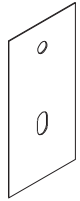
PARTS



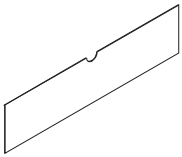
16 × 1



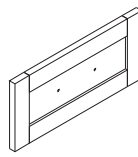
17 × 1



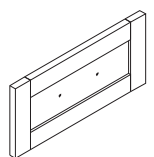
18 × 2



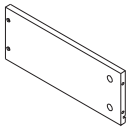
19 × 1



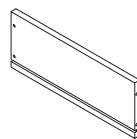
20 × 1



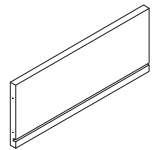
21 × 1



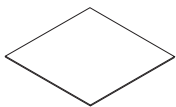
22 × 2



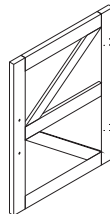
23 × 2



24 × 2

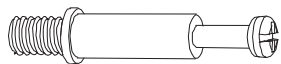


25 × 2



26 × 2

HARDWARE



A × 52+2



B × 52+2



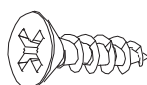
6x30mm

C × 40+2



4x35mm

D × 14+1



4x14mm

E × 6

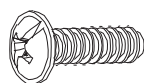


3x14mm

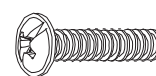
F × 74+2



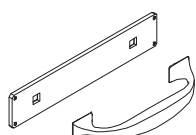
G × 4



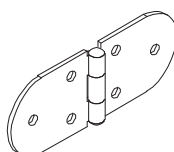
H × 4



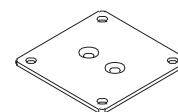
I × 4



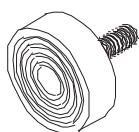
J × 4



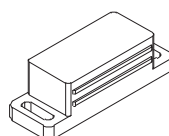
K × 4



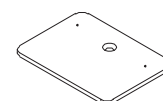
L × 1



M × 1



N × 2

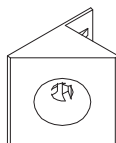


O × 2

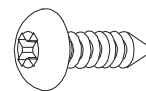
HARDWARE



P × 8



Q × 20



4x12mm

R × 2

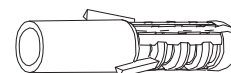


4x35mm

S × 2



T × 2



U × 2



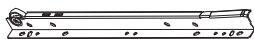
CL × 2



CR × 2

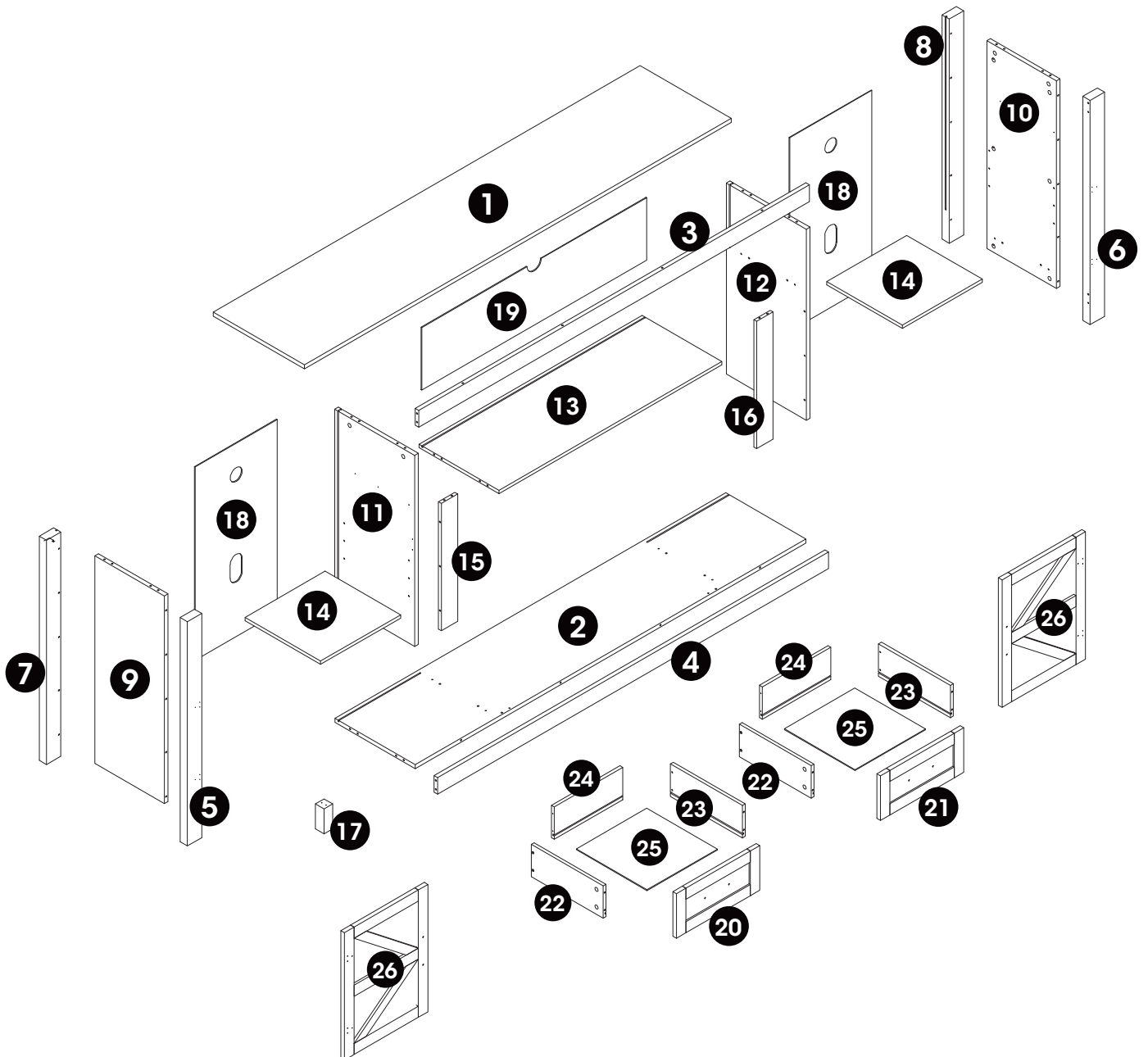


DL × 2

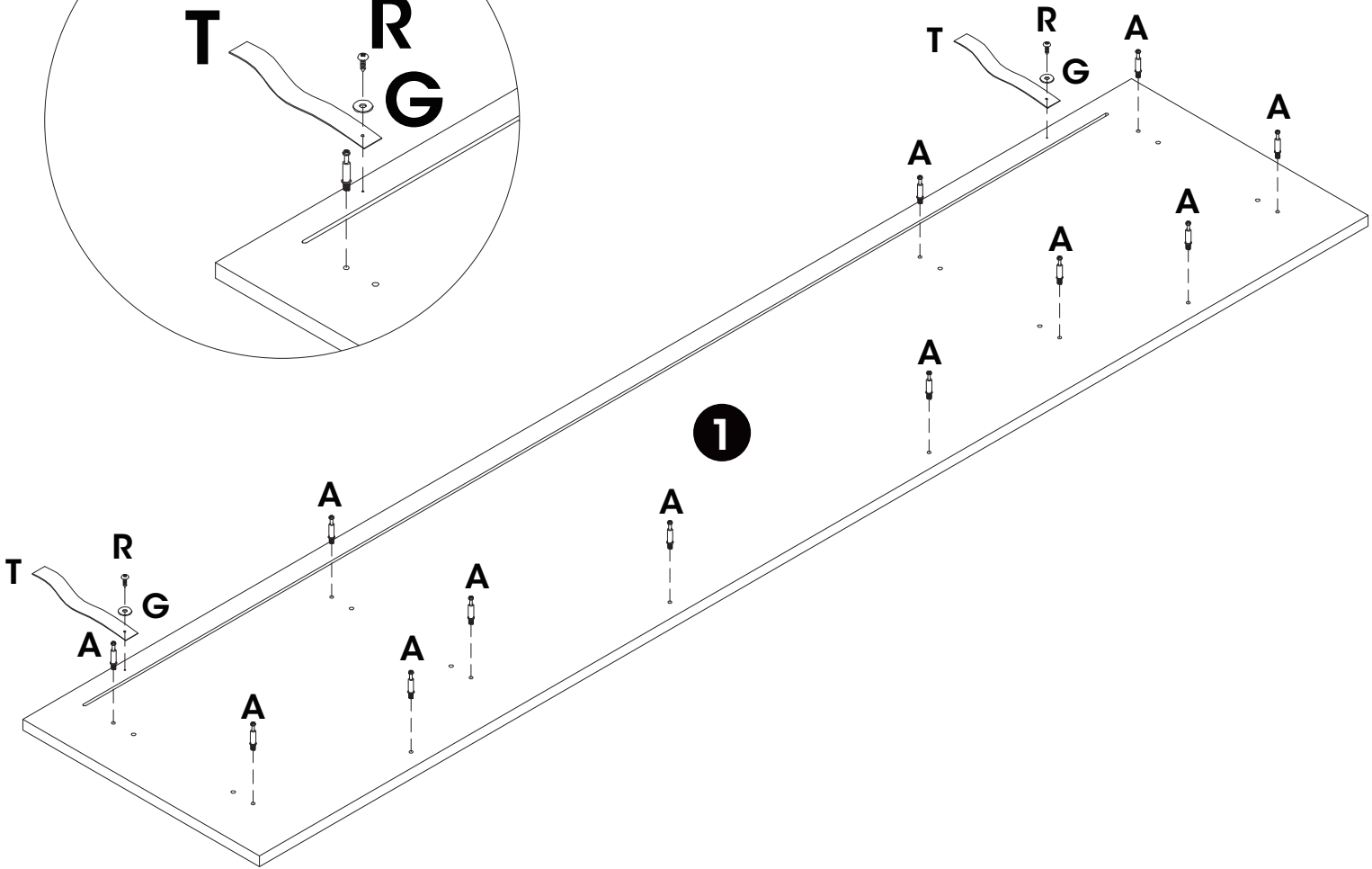
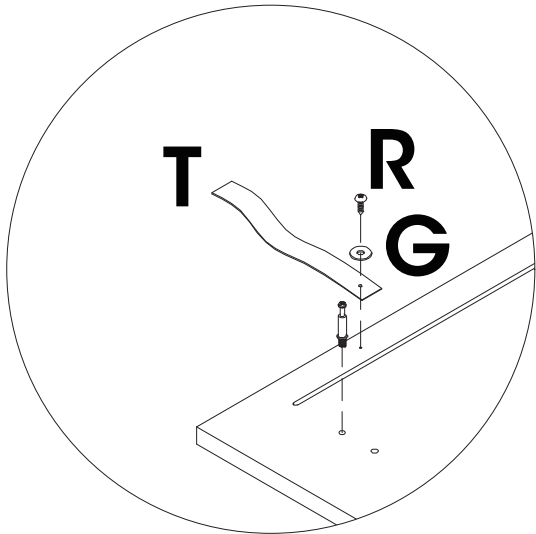
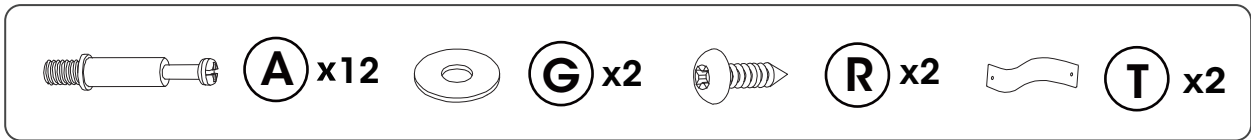


DR × 2

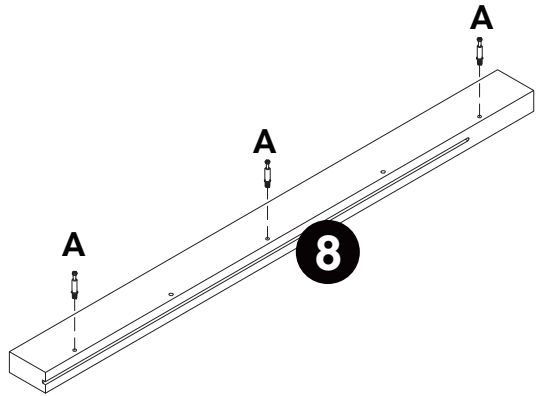
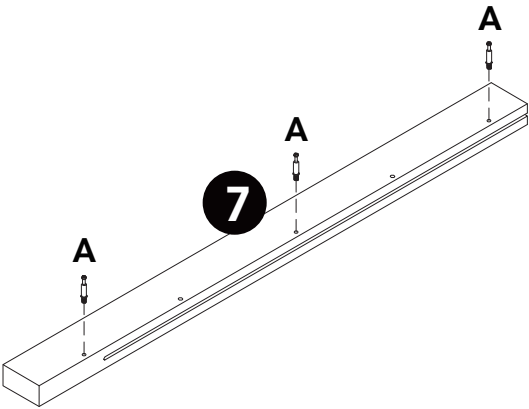
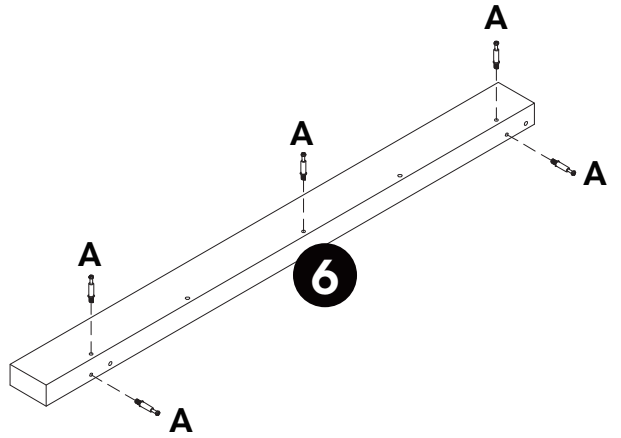
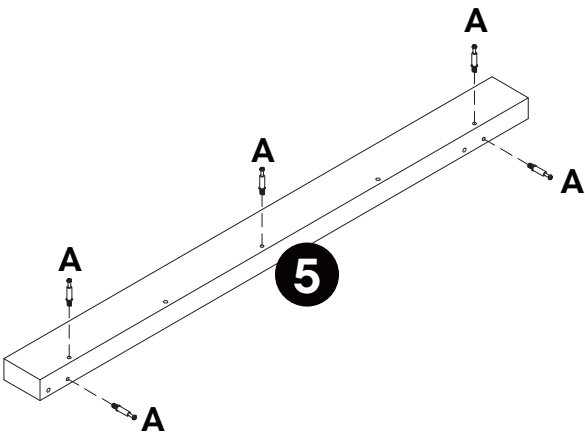
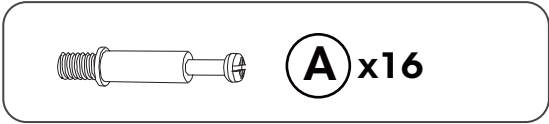
EXPLOSION VIEW



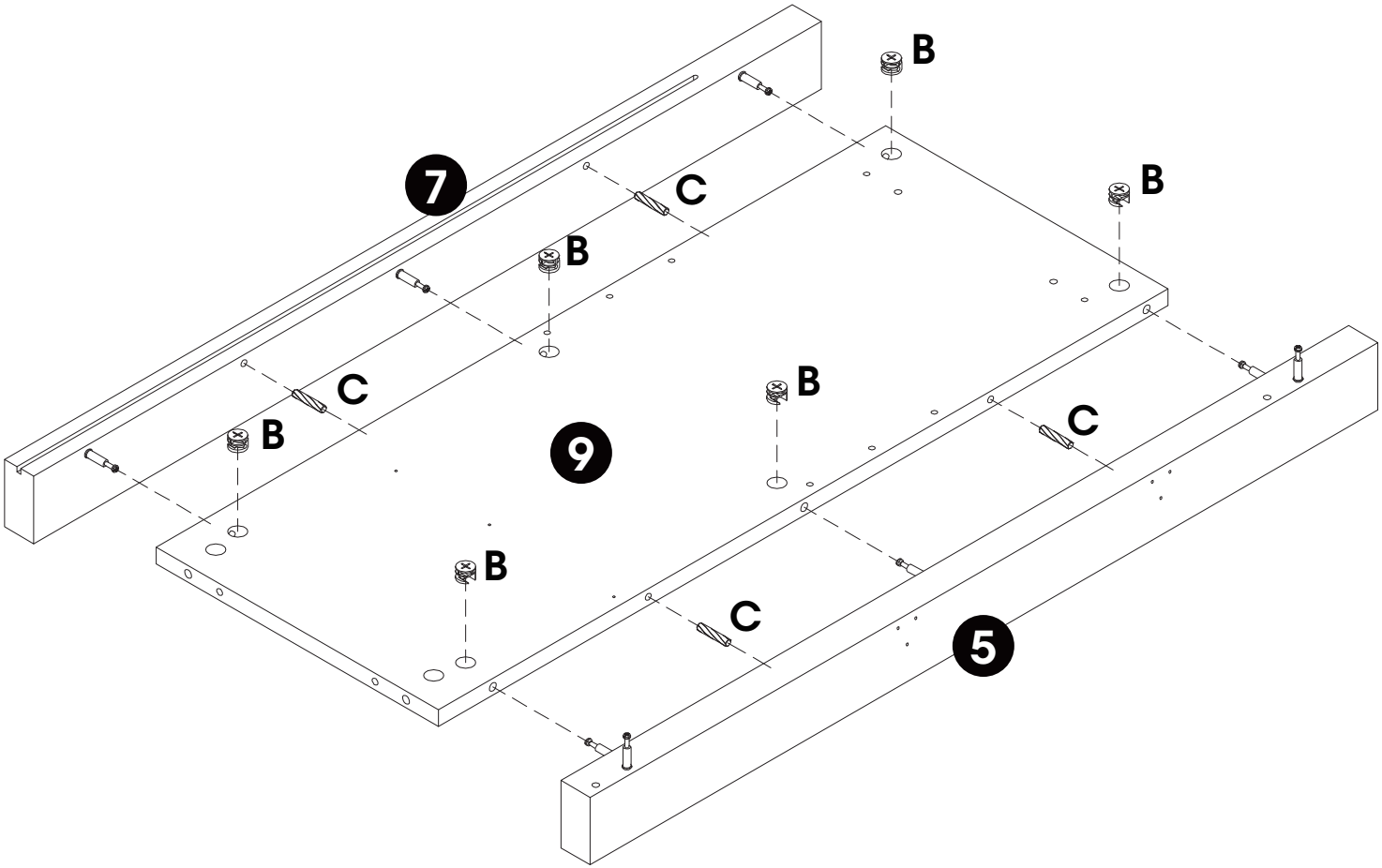
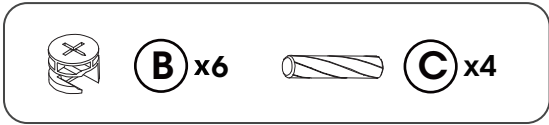
1



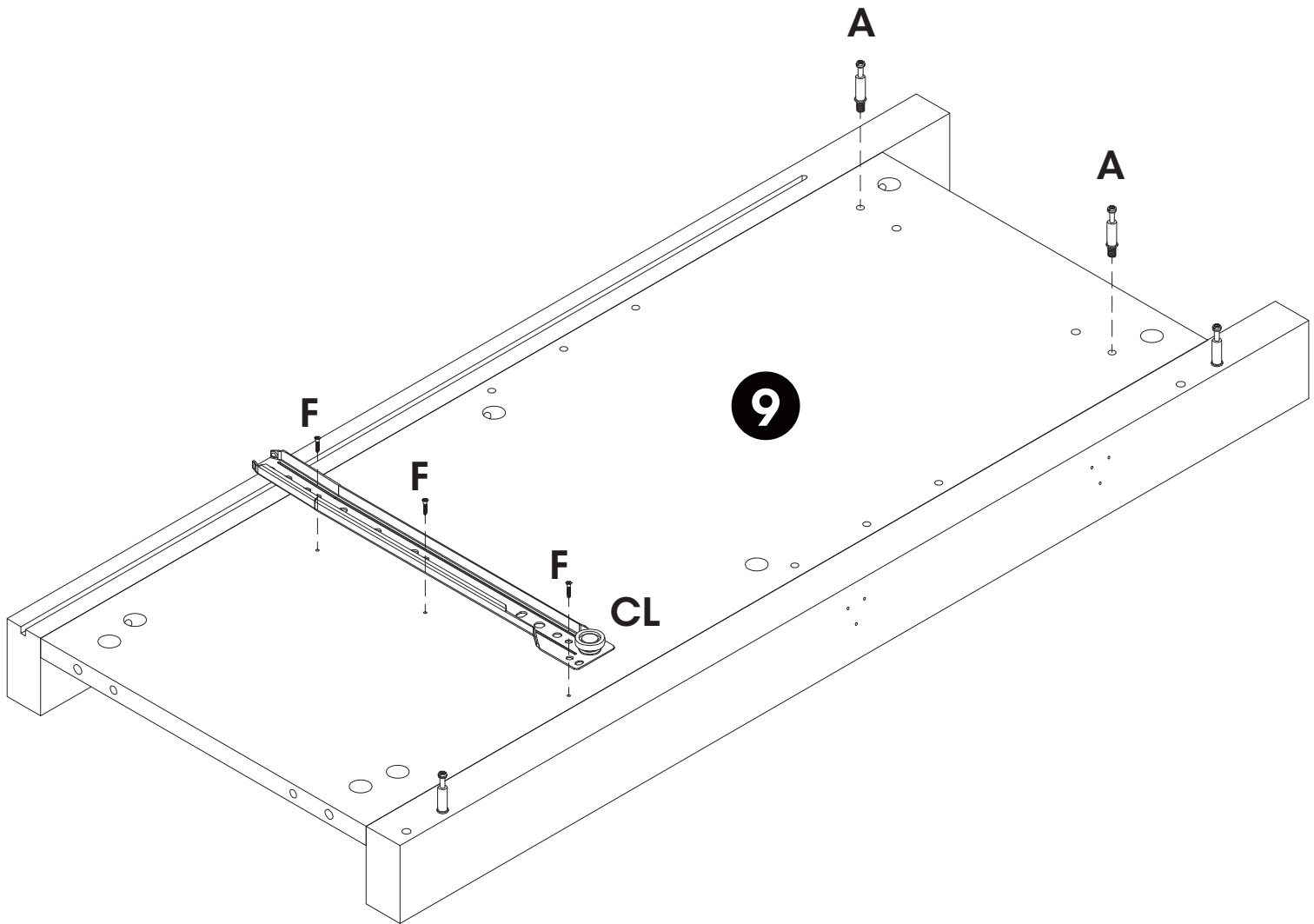
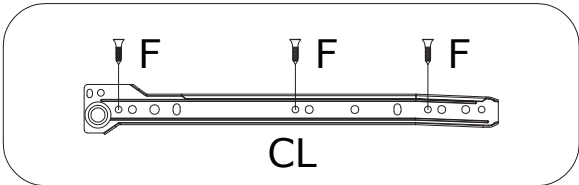
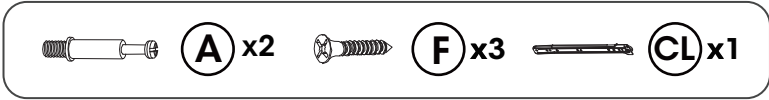
2



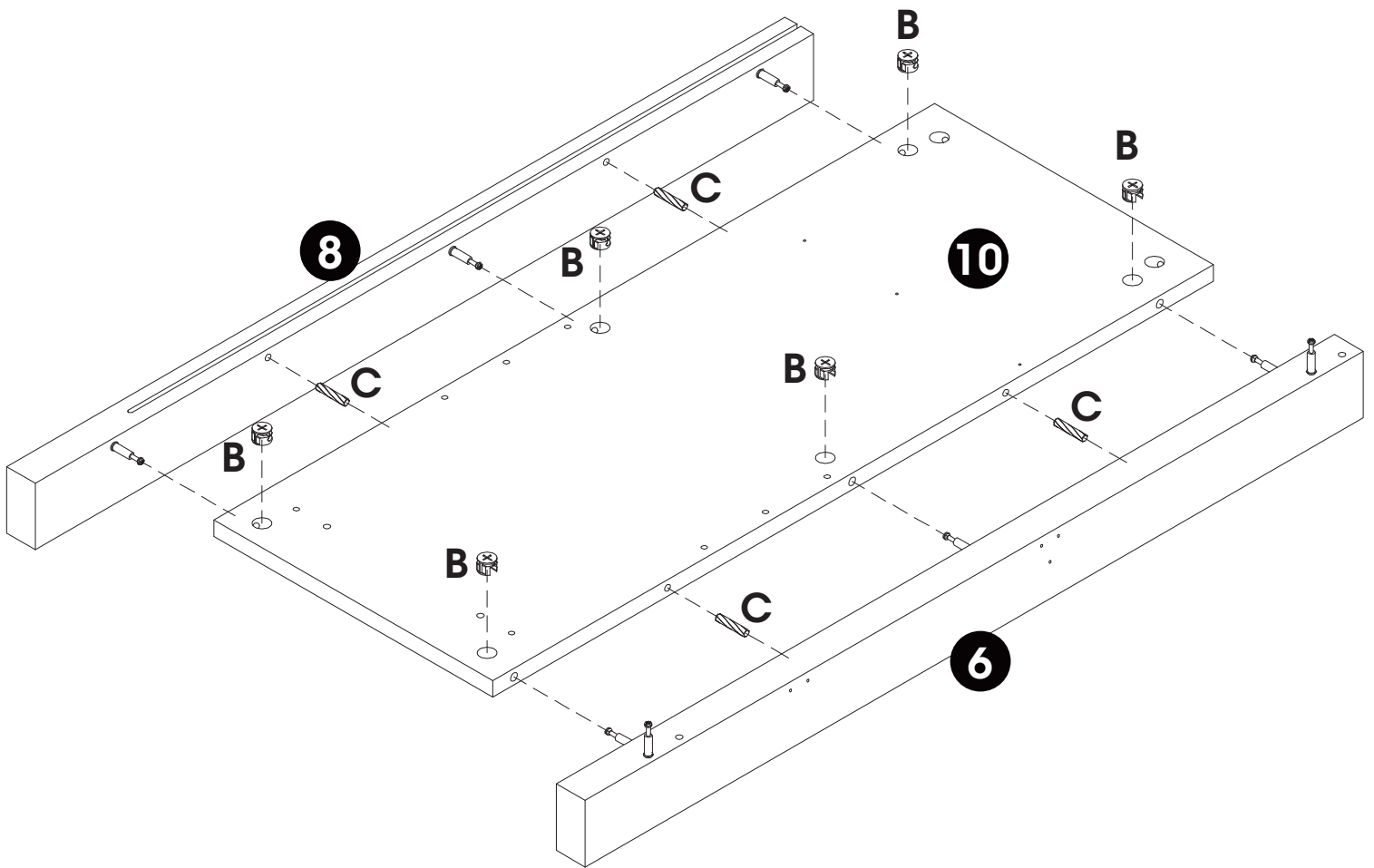
3



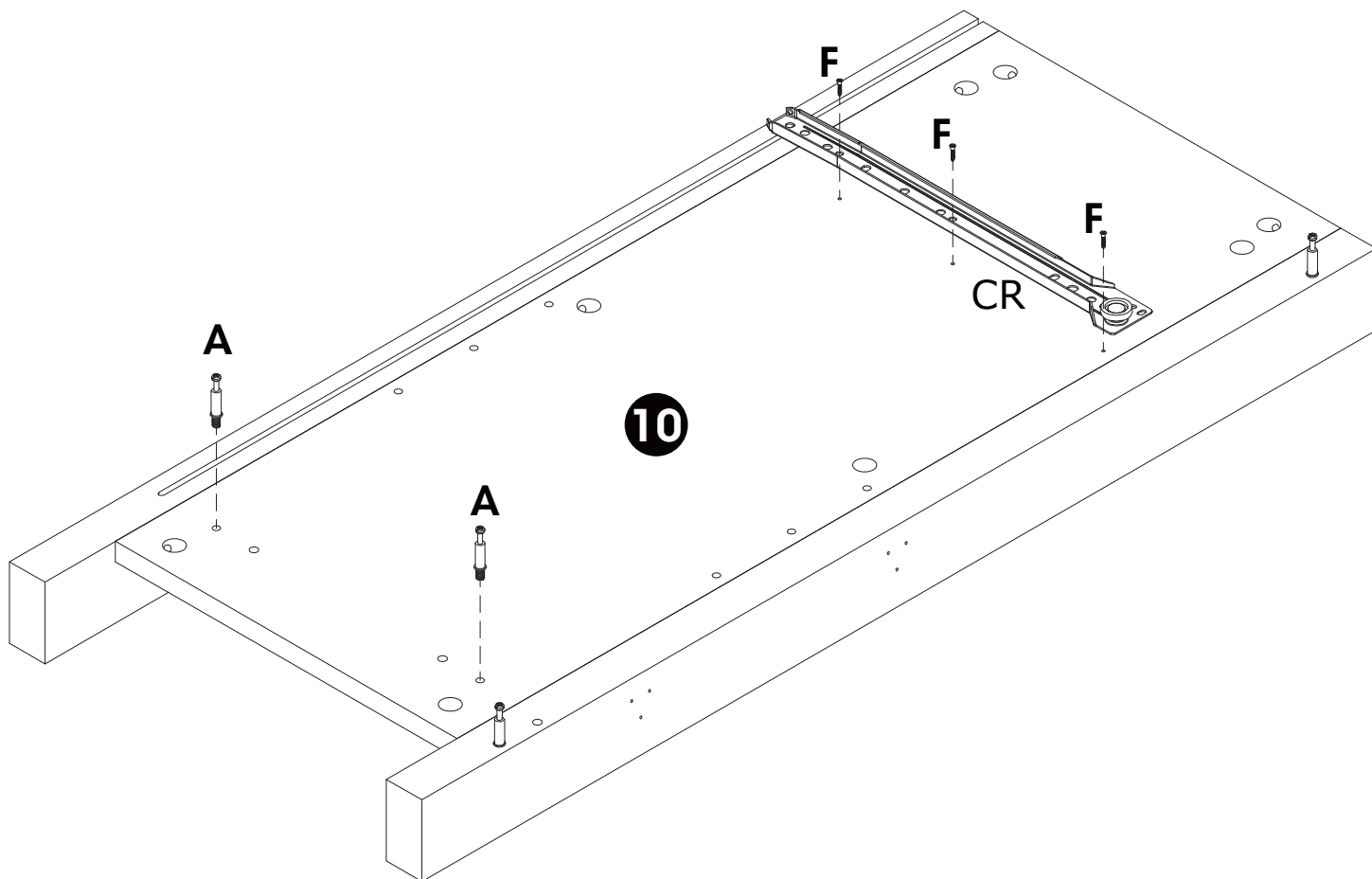
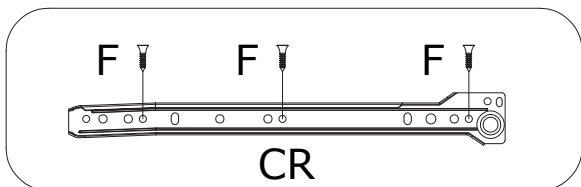
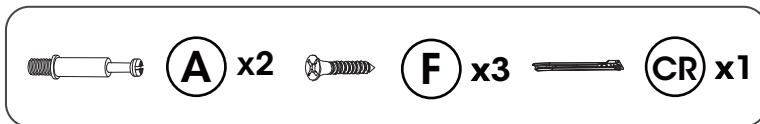
4



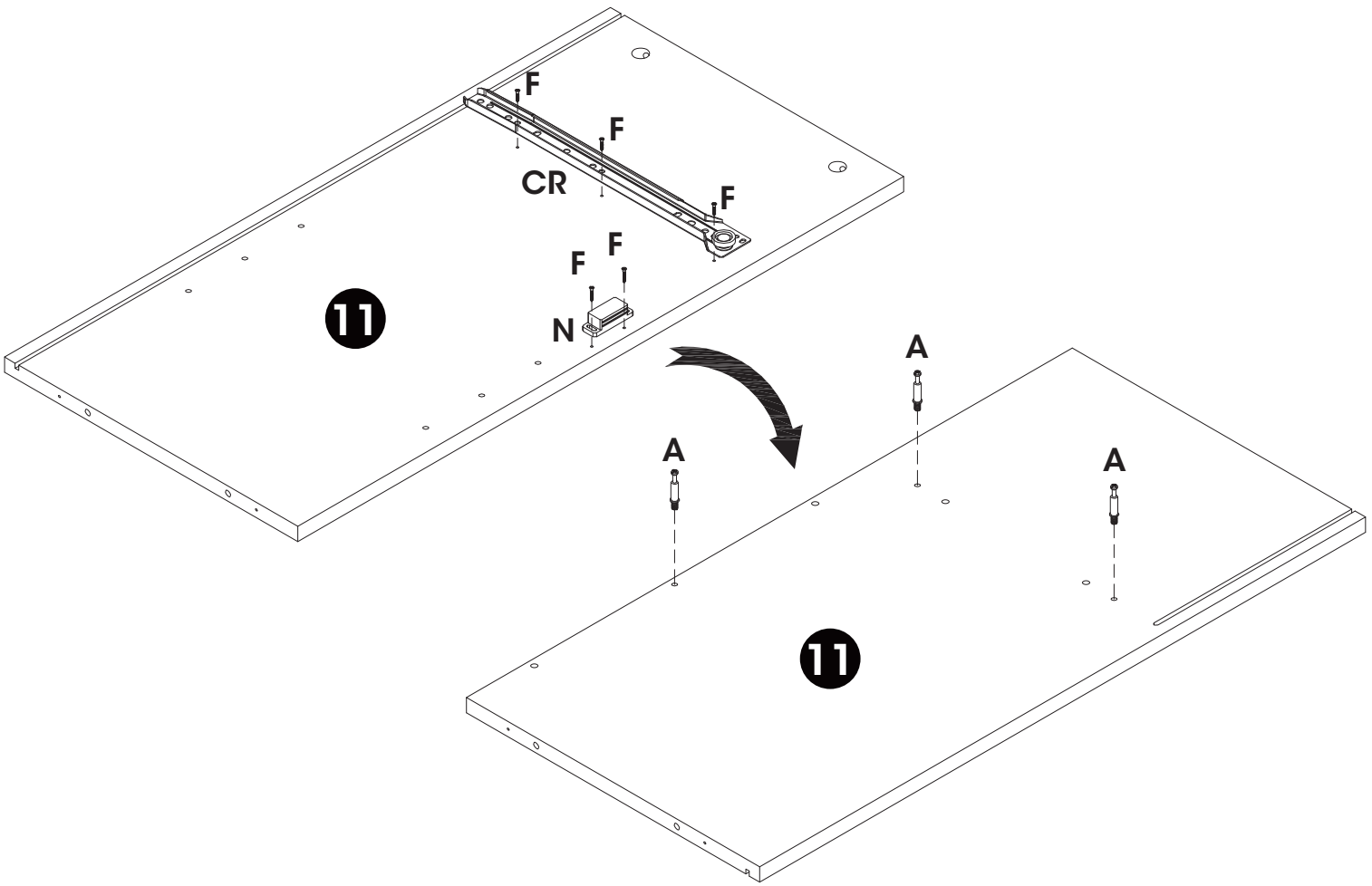
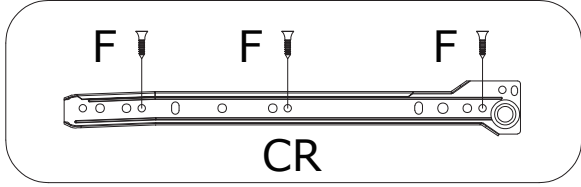
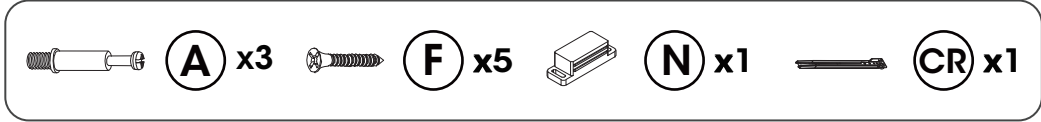
5



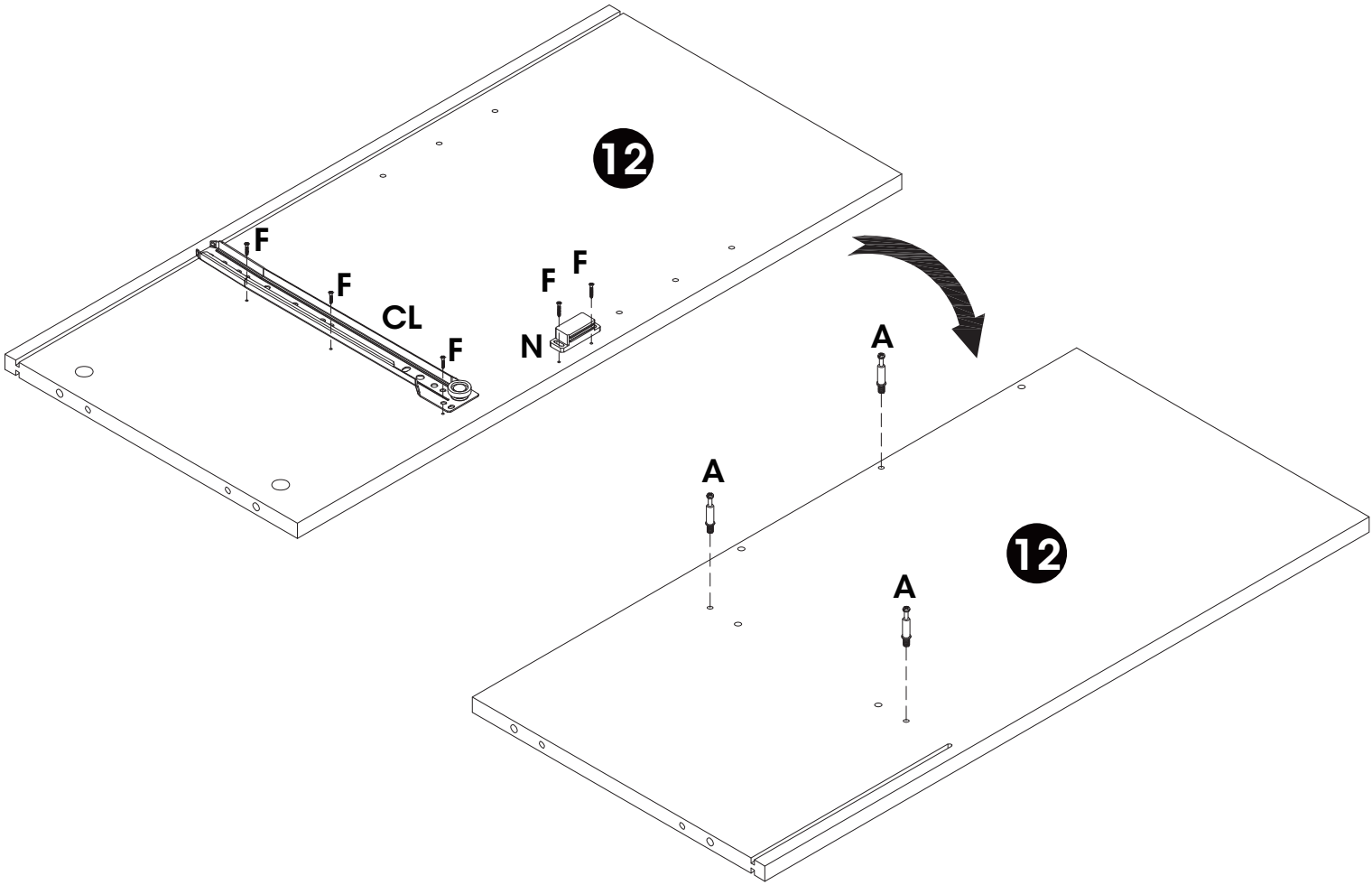
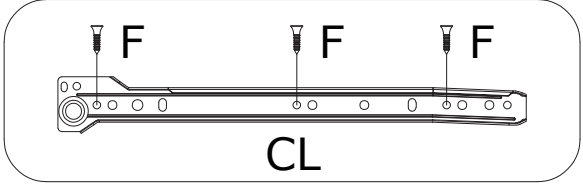
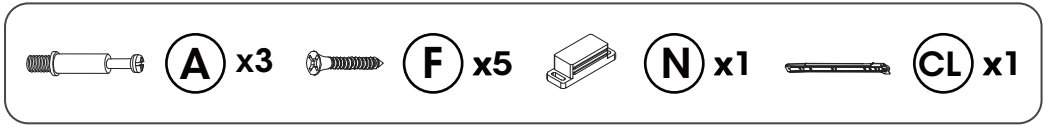
6



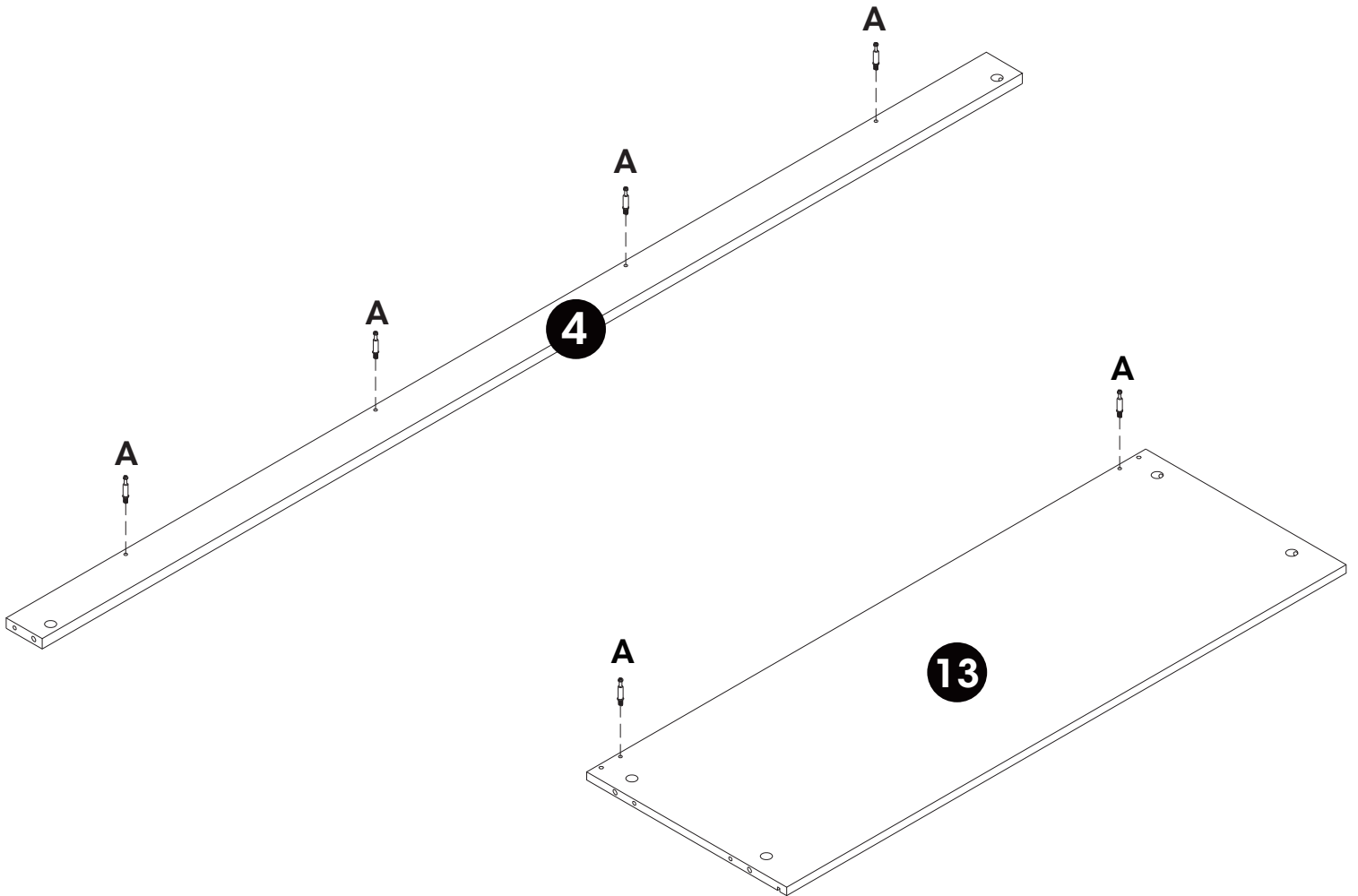
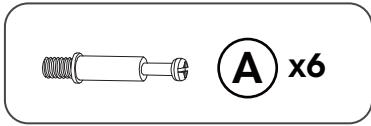
7



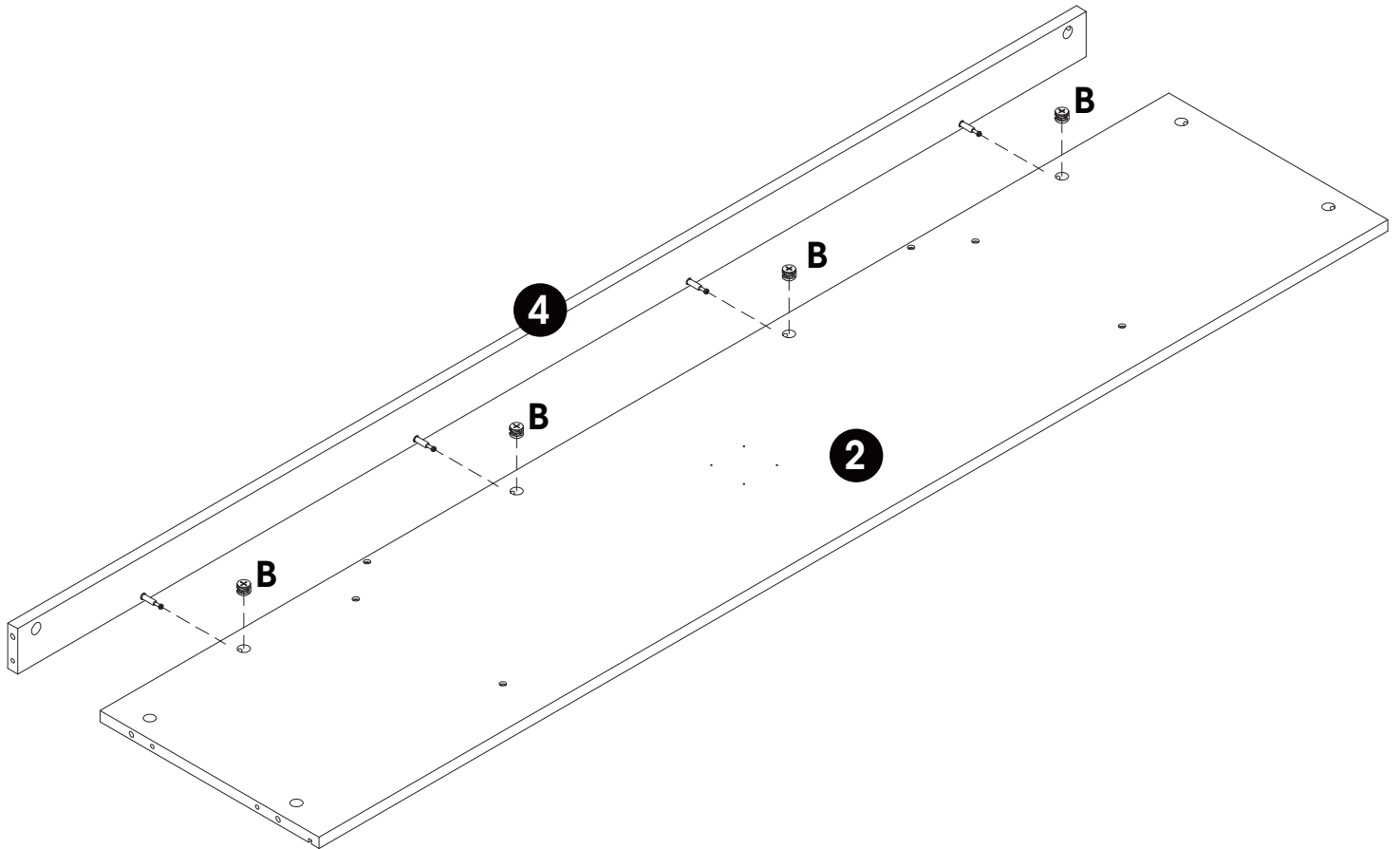
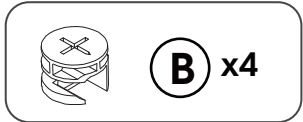
8

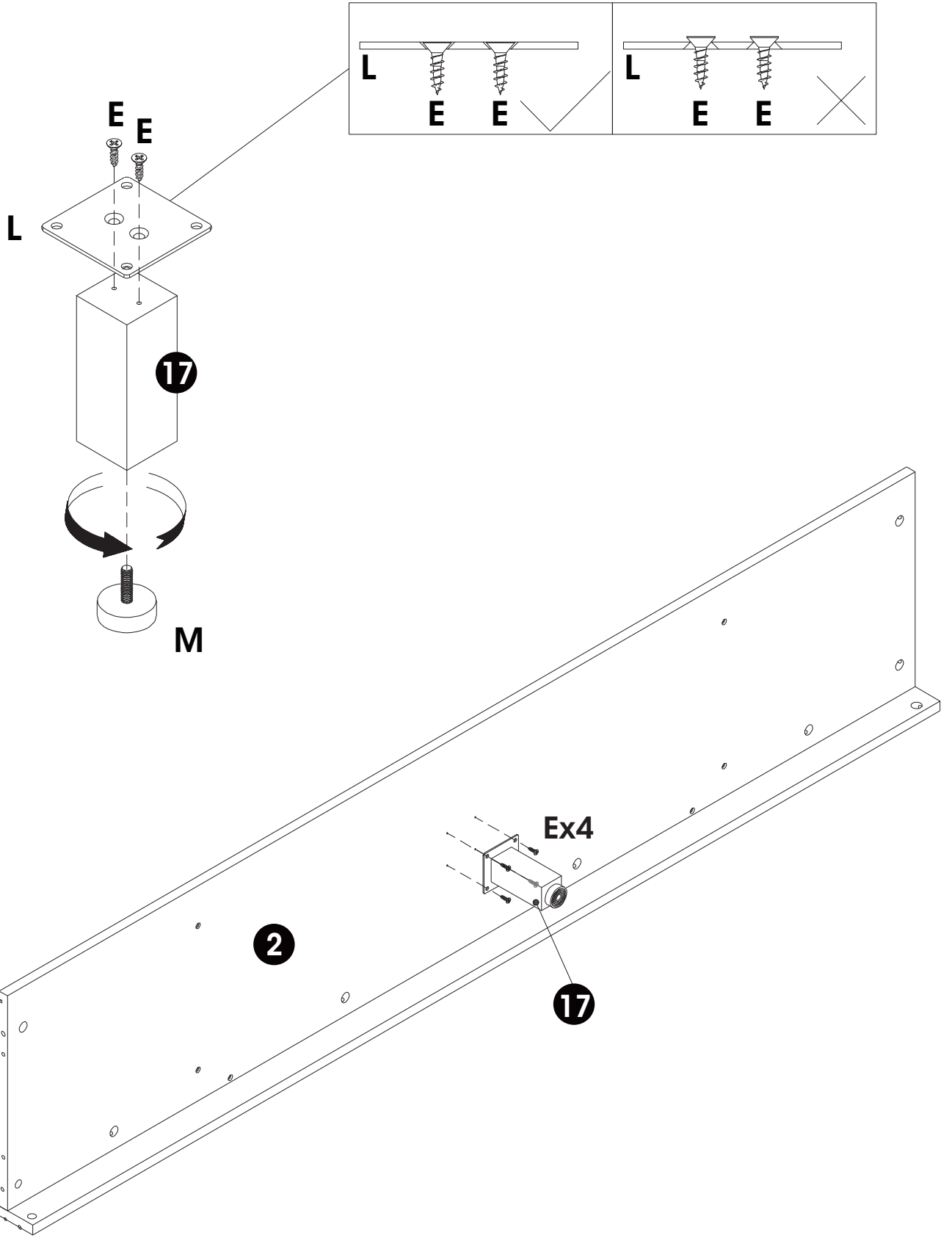
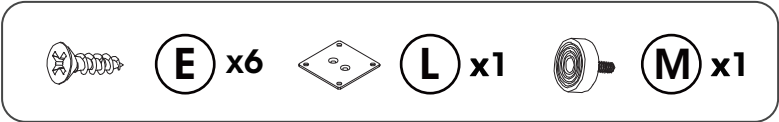


9

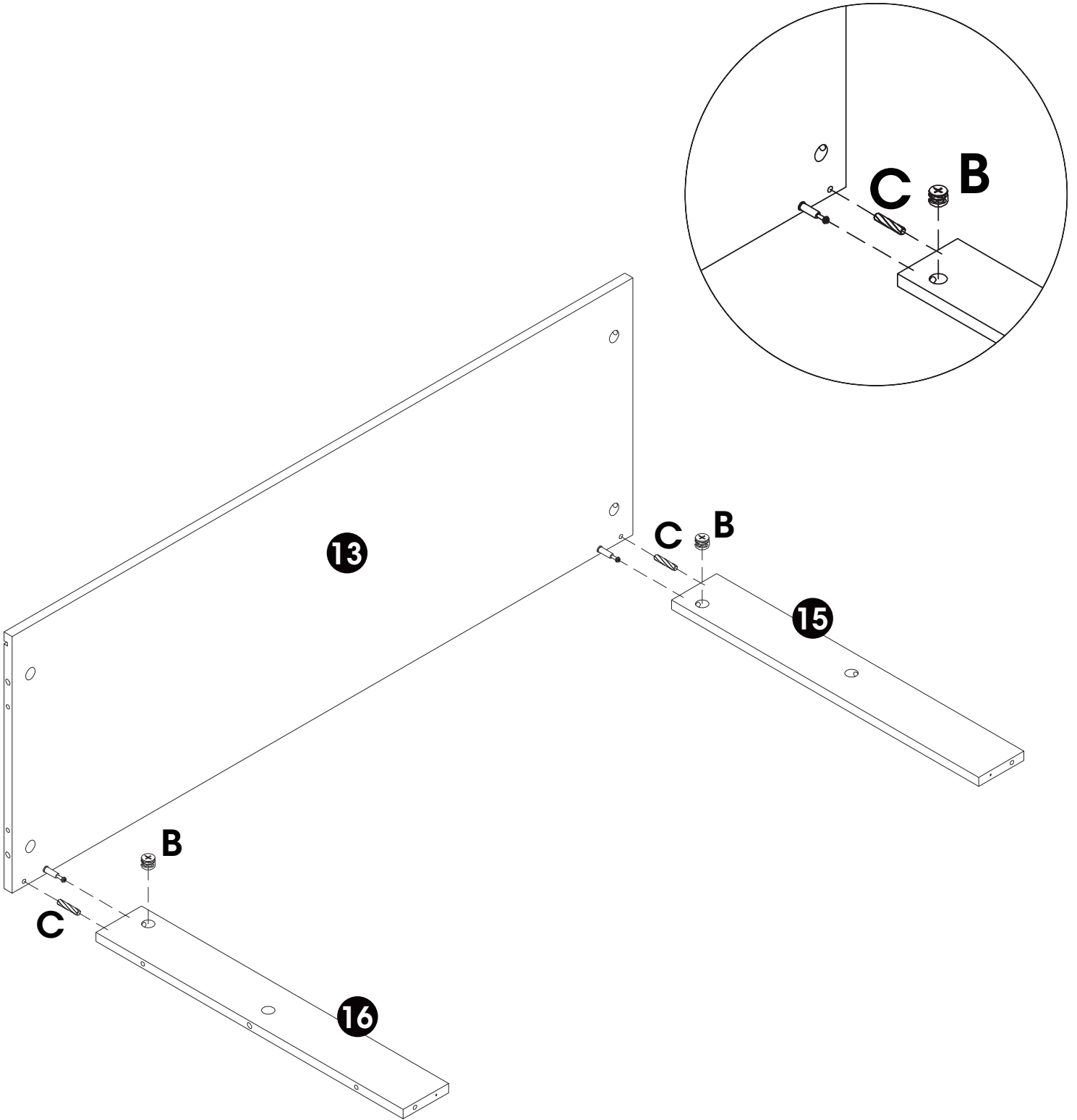
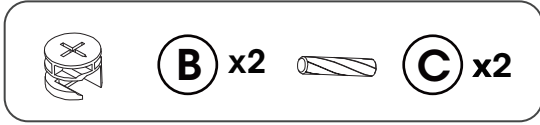


10

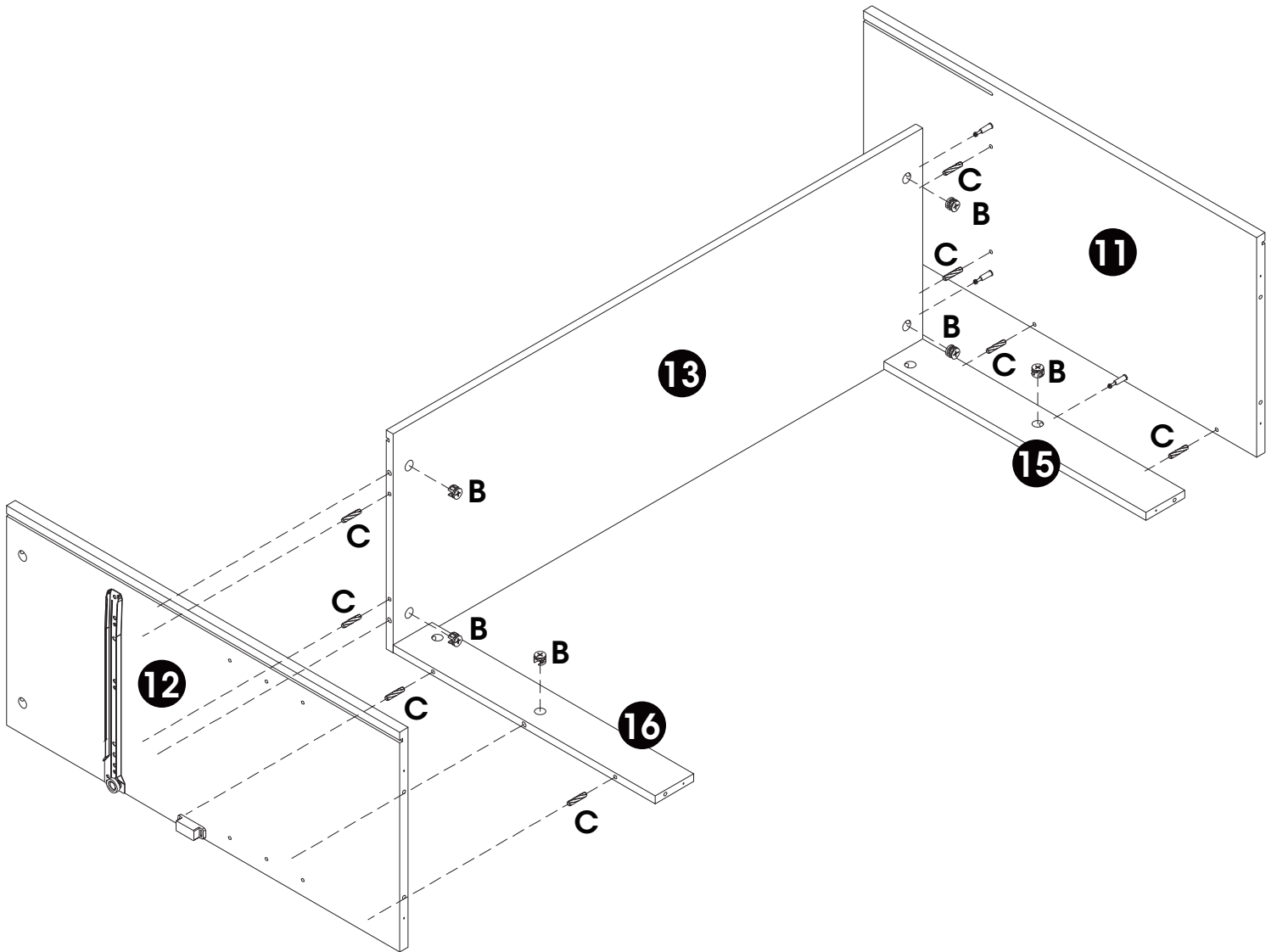
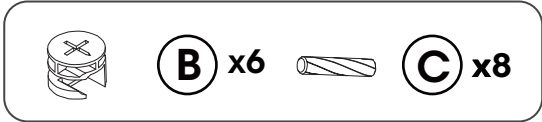




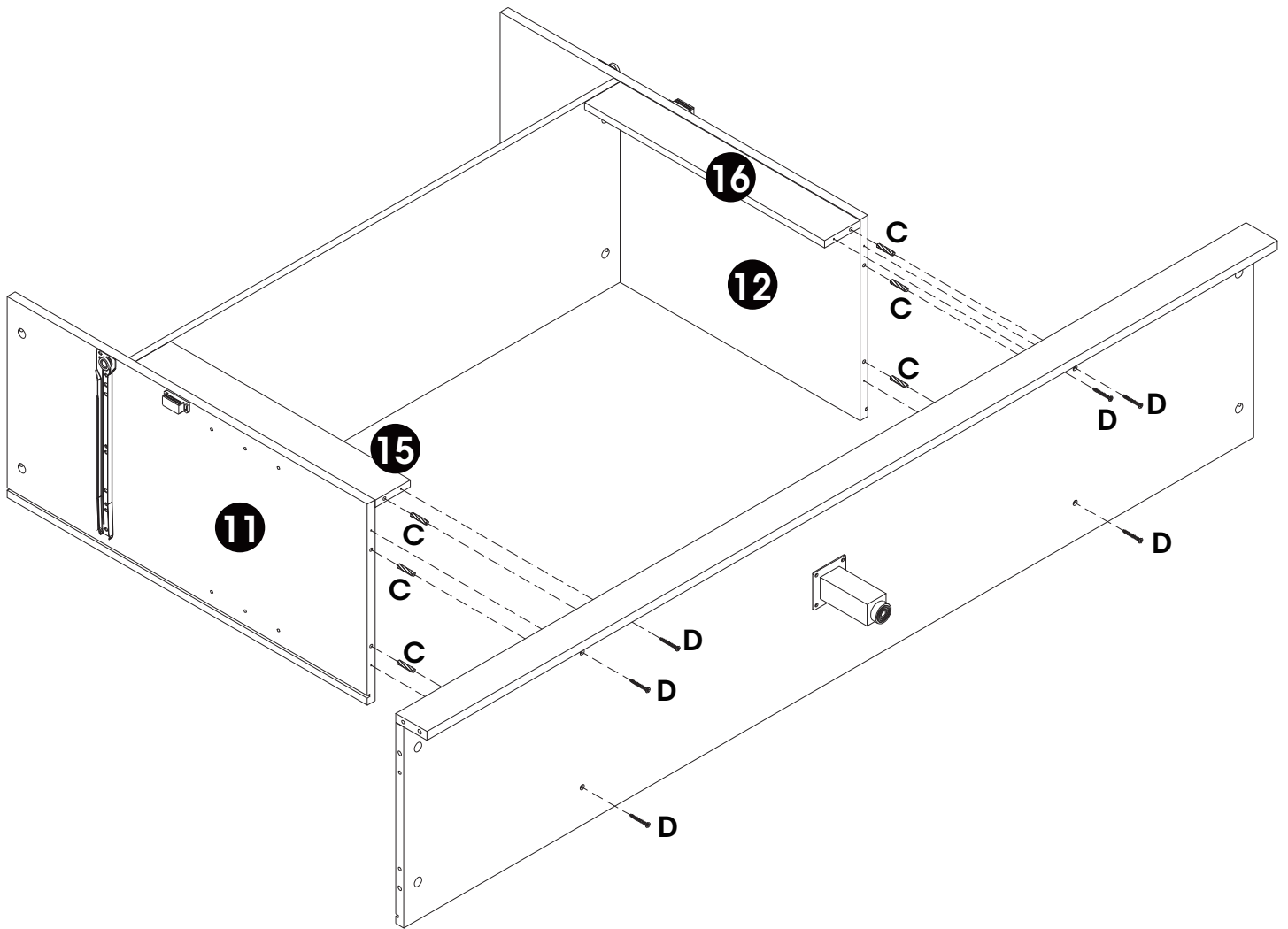
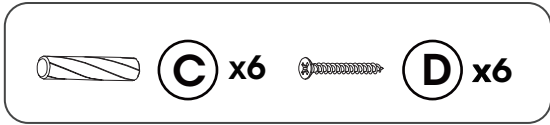
12



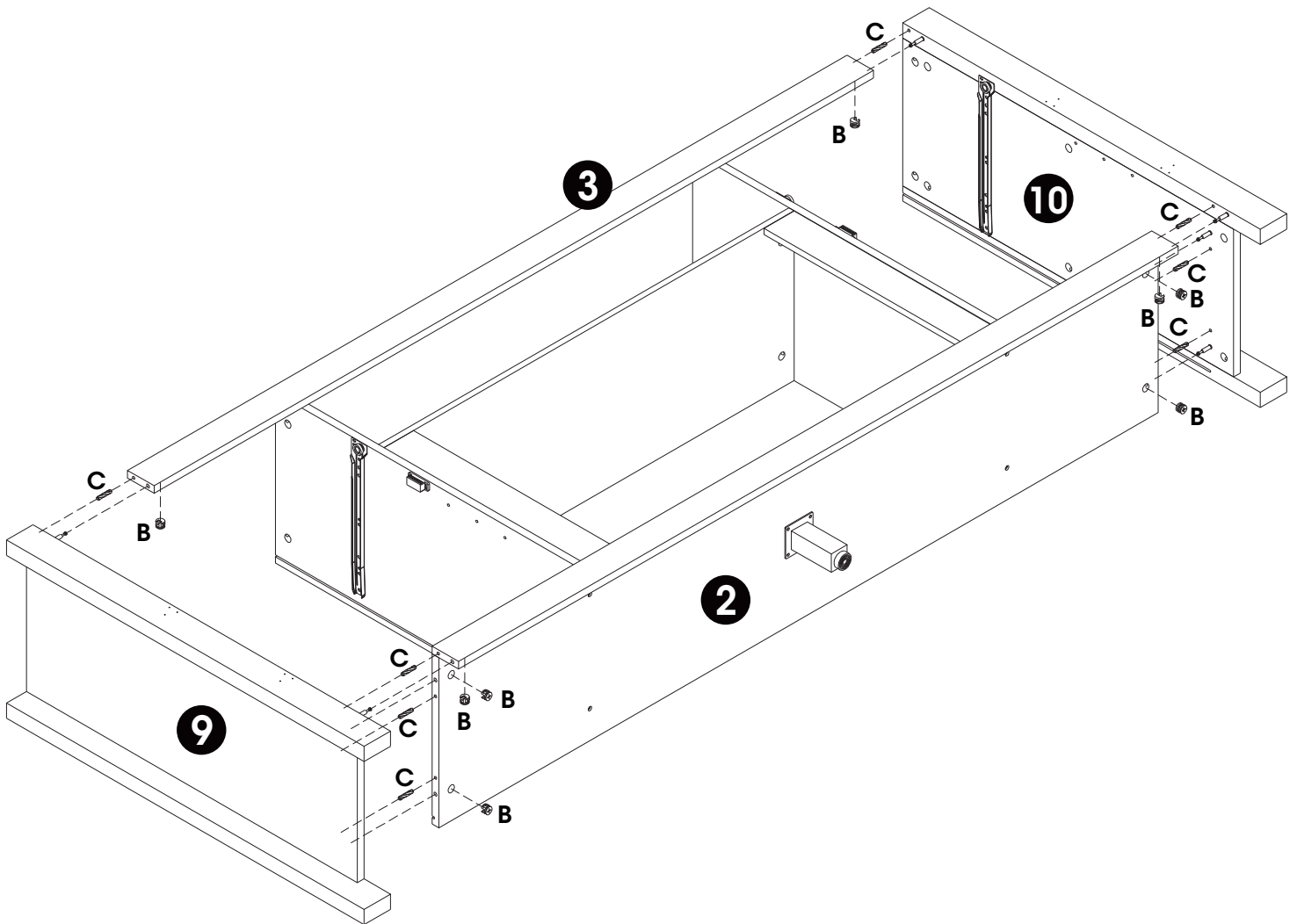
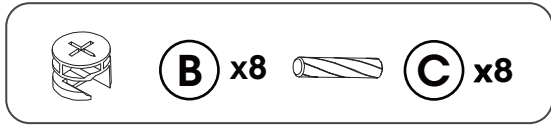
13

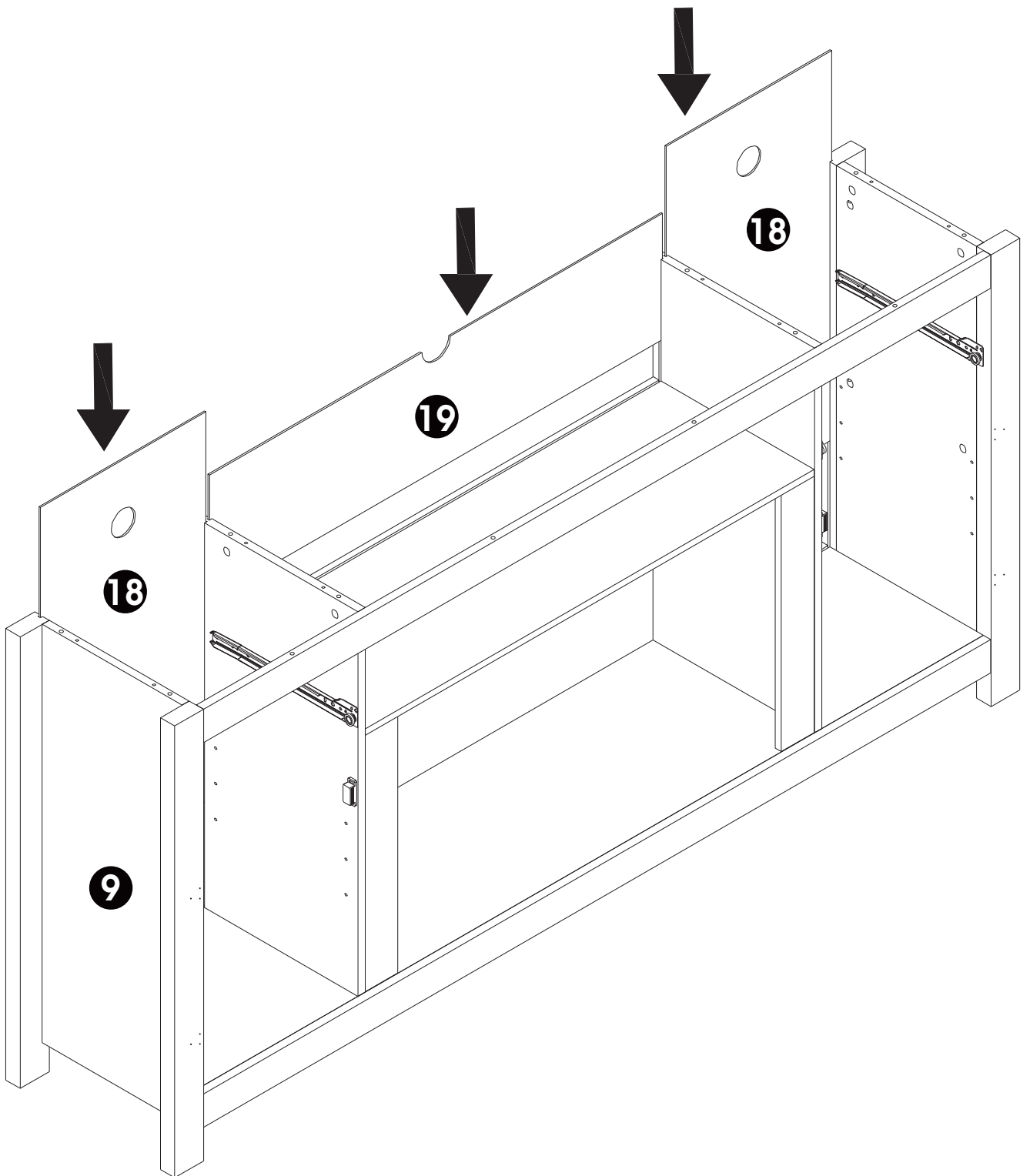


14


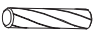


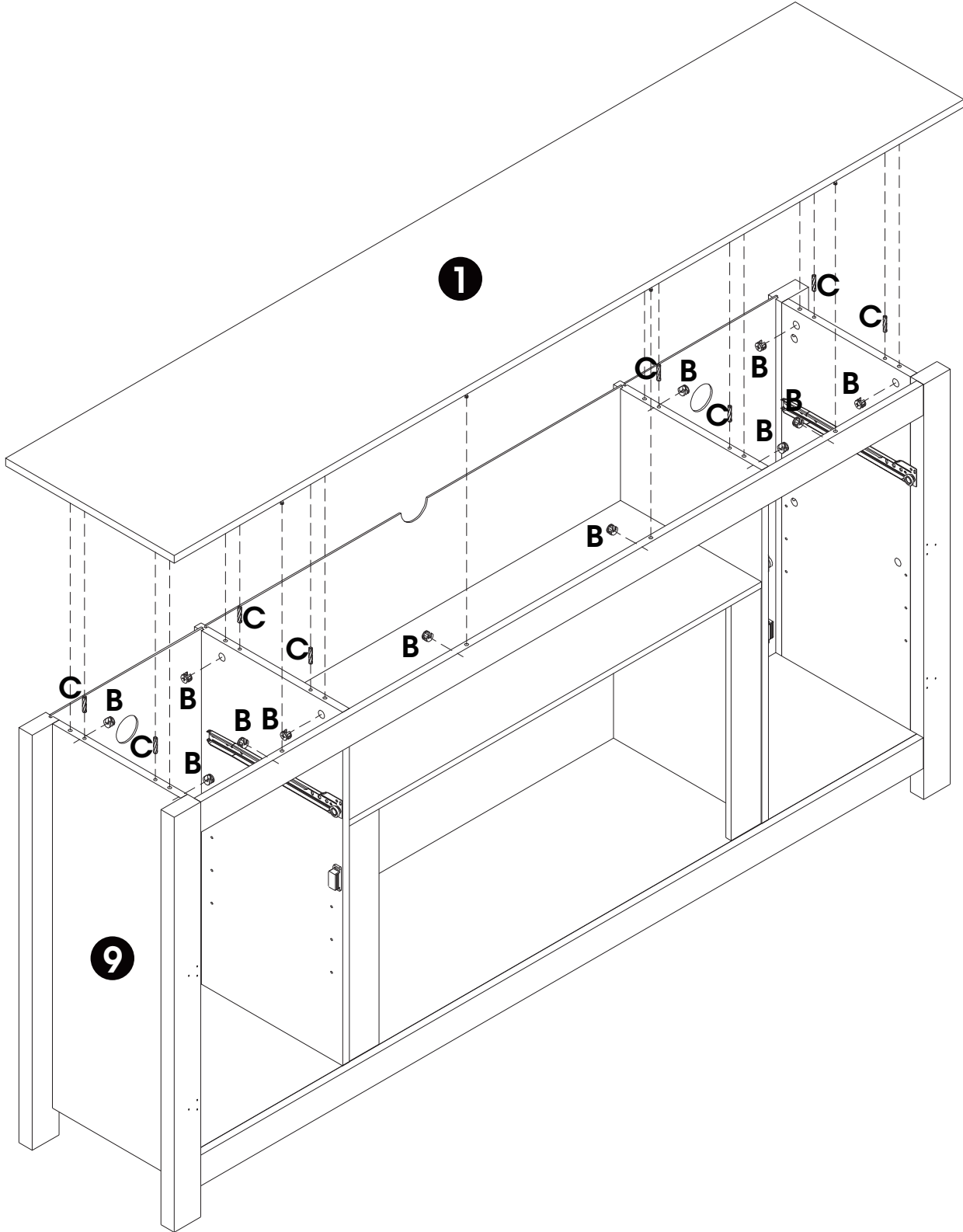
15



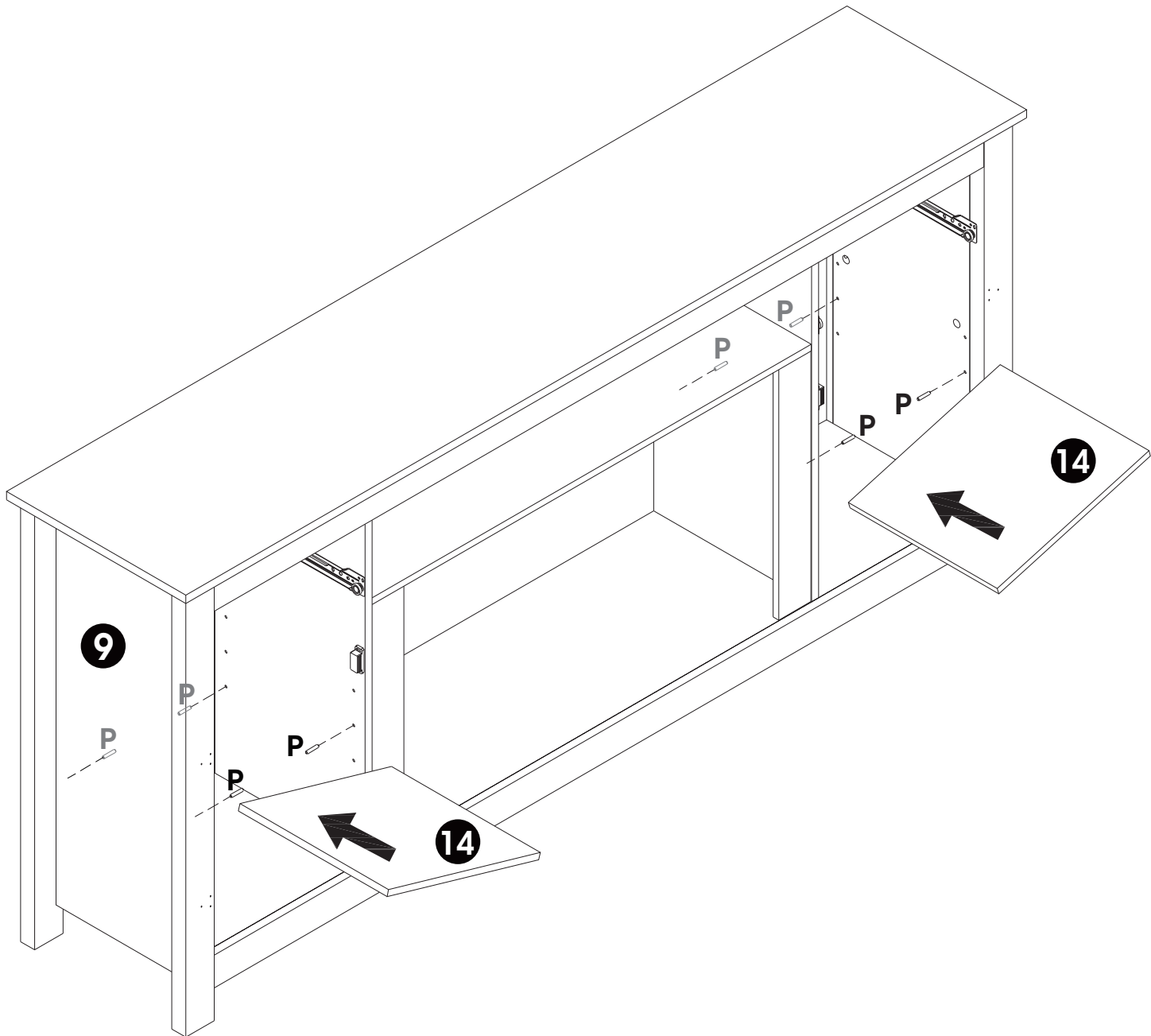
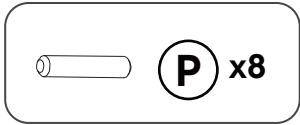


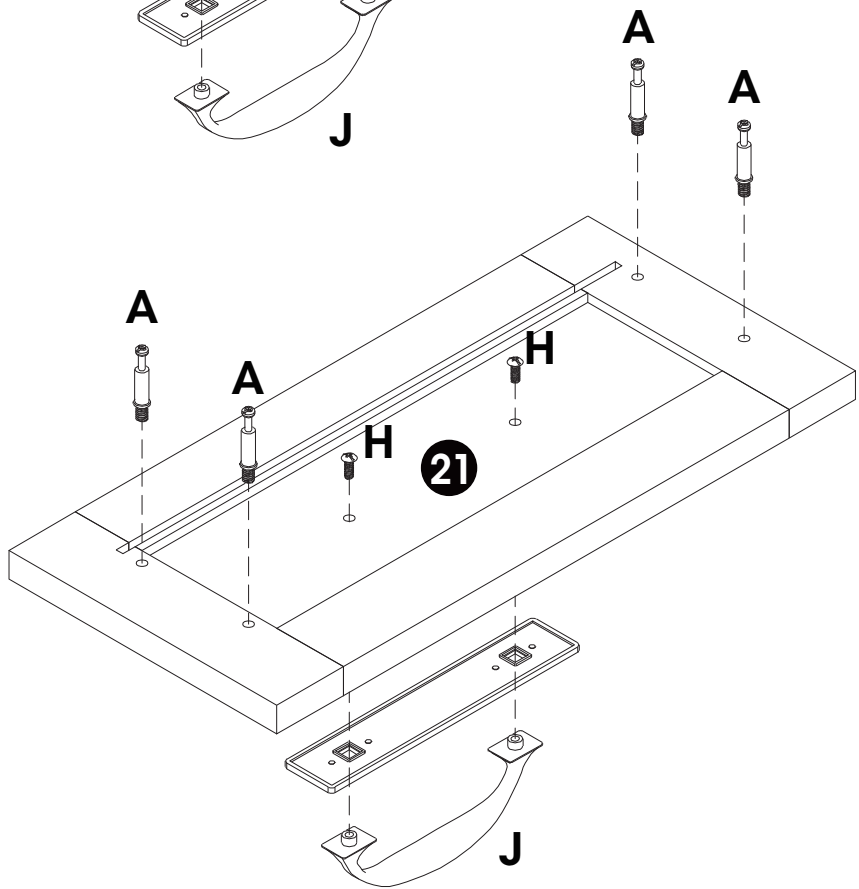
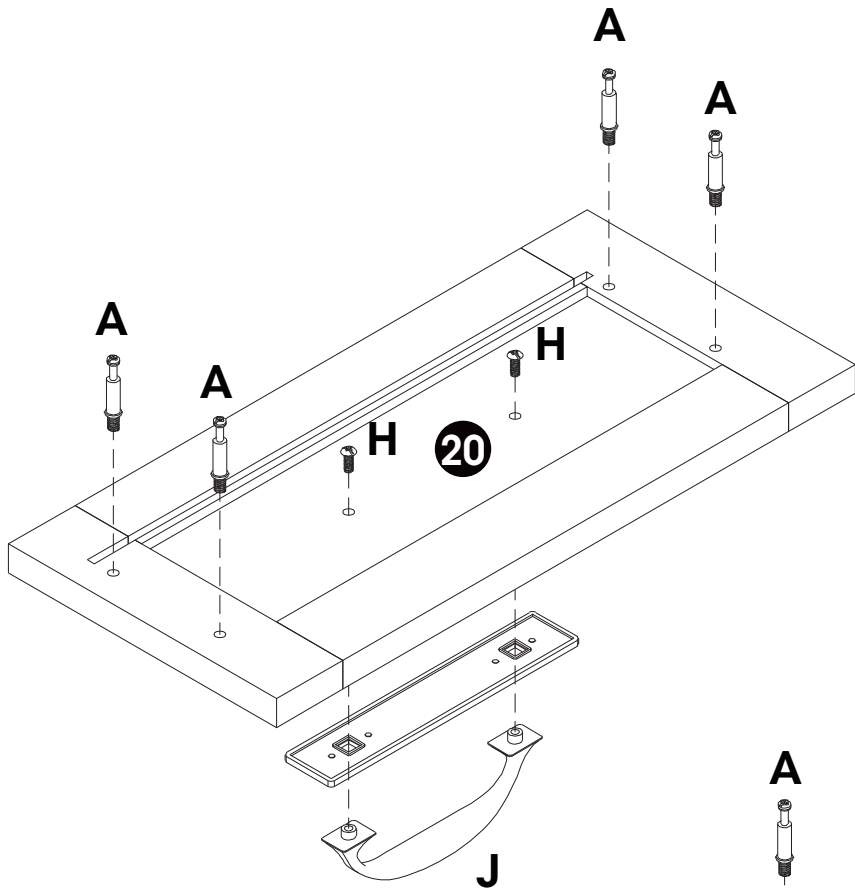
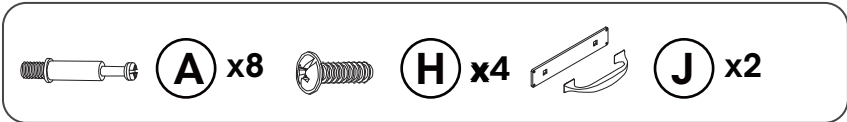
17

 **B** x12  **C** x8

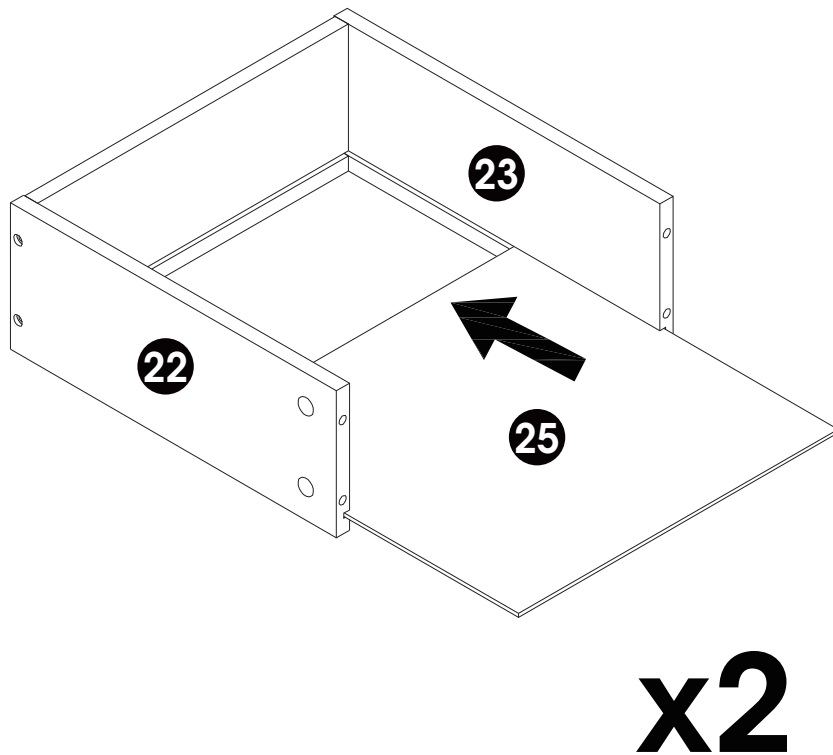
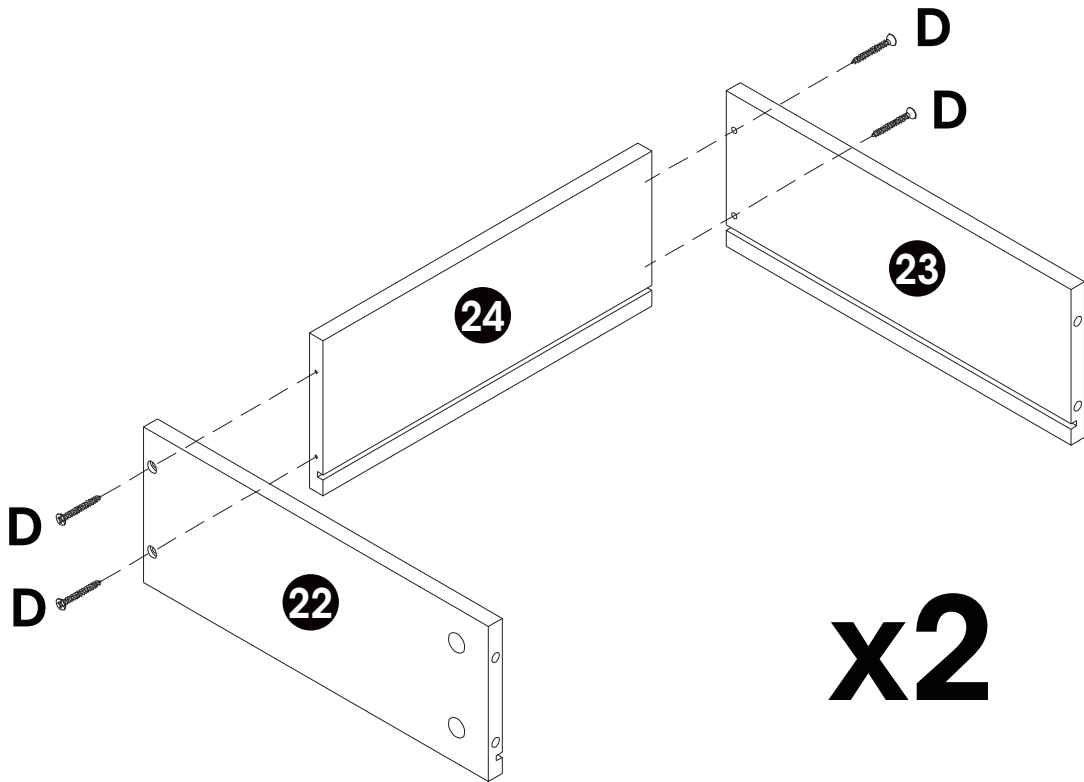
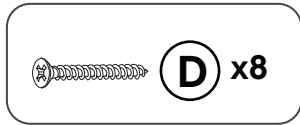


18

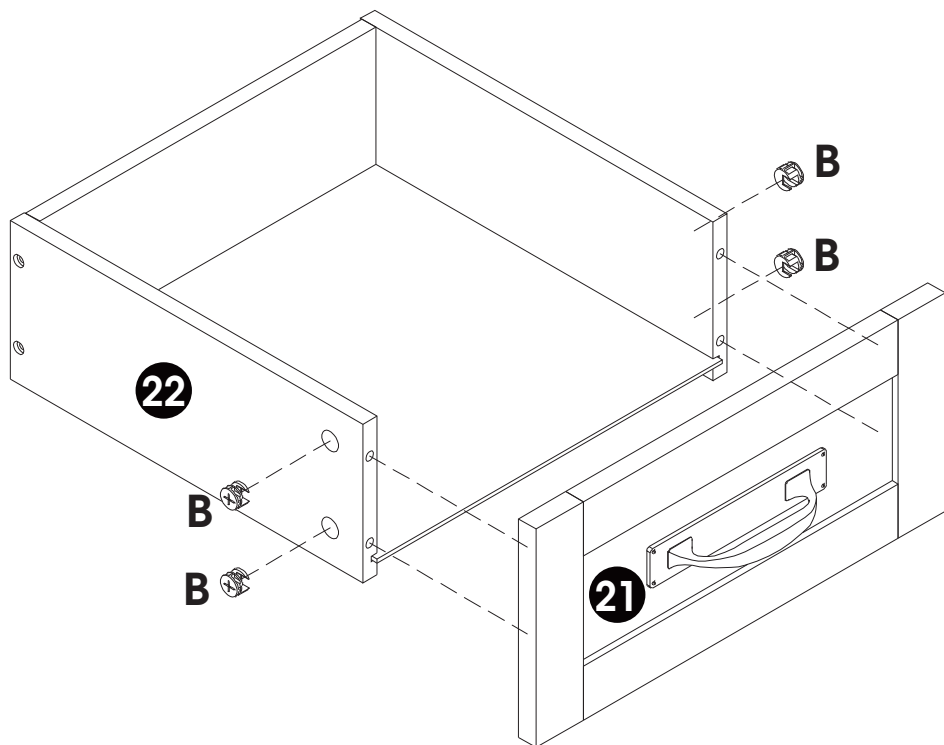
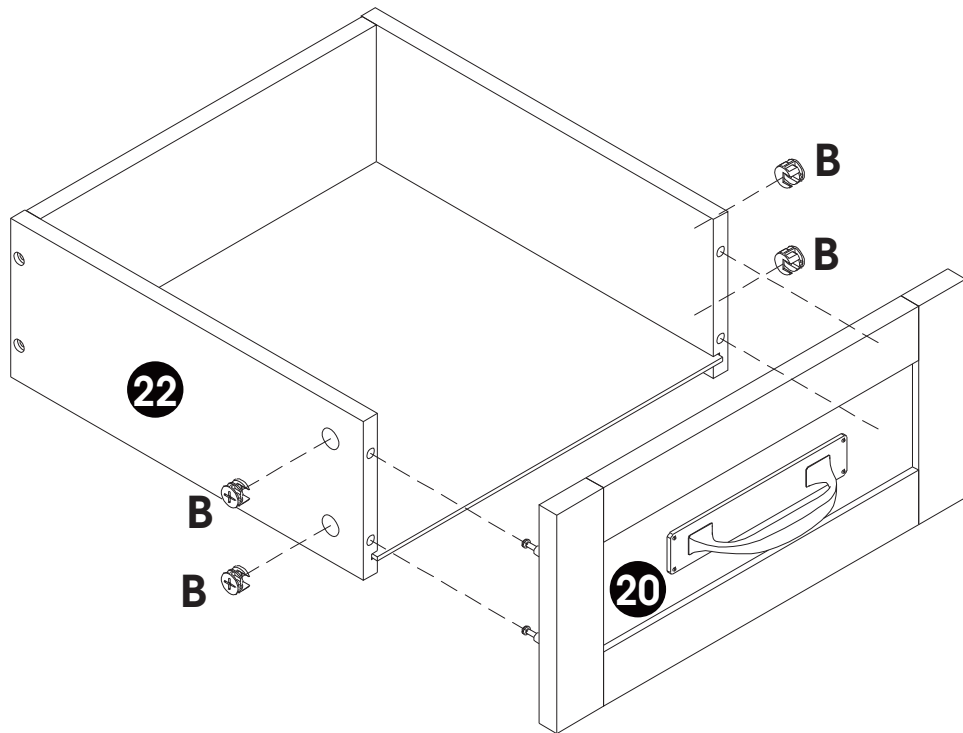
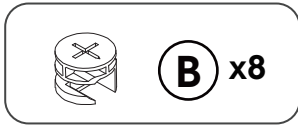


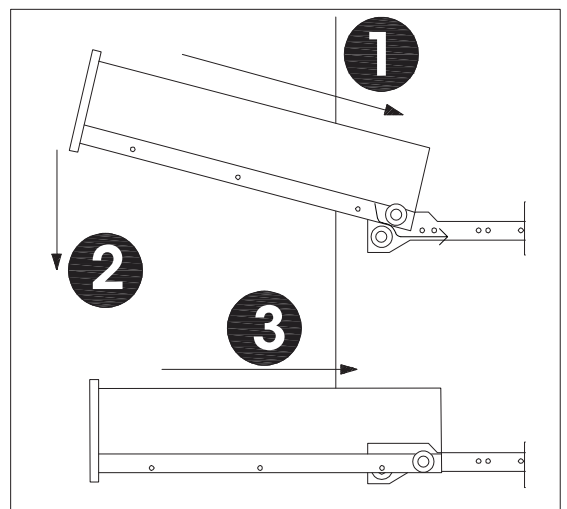
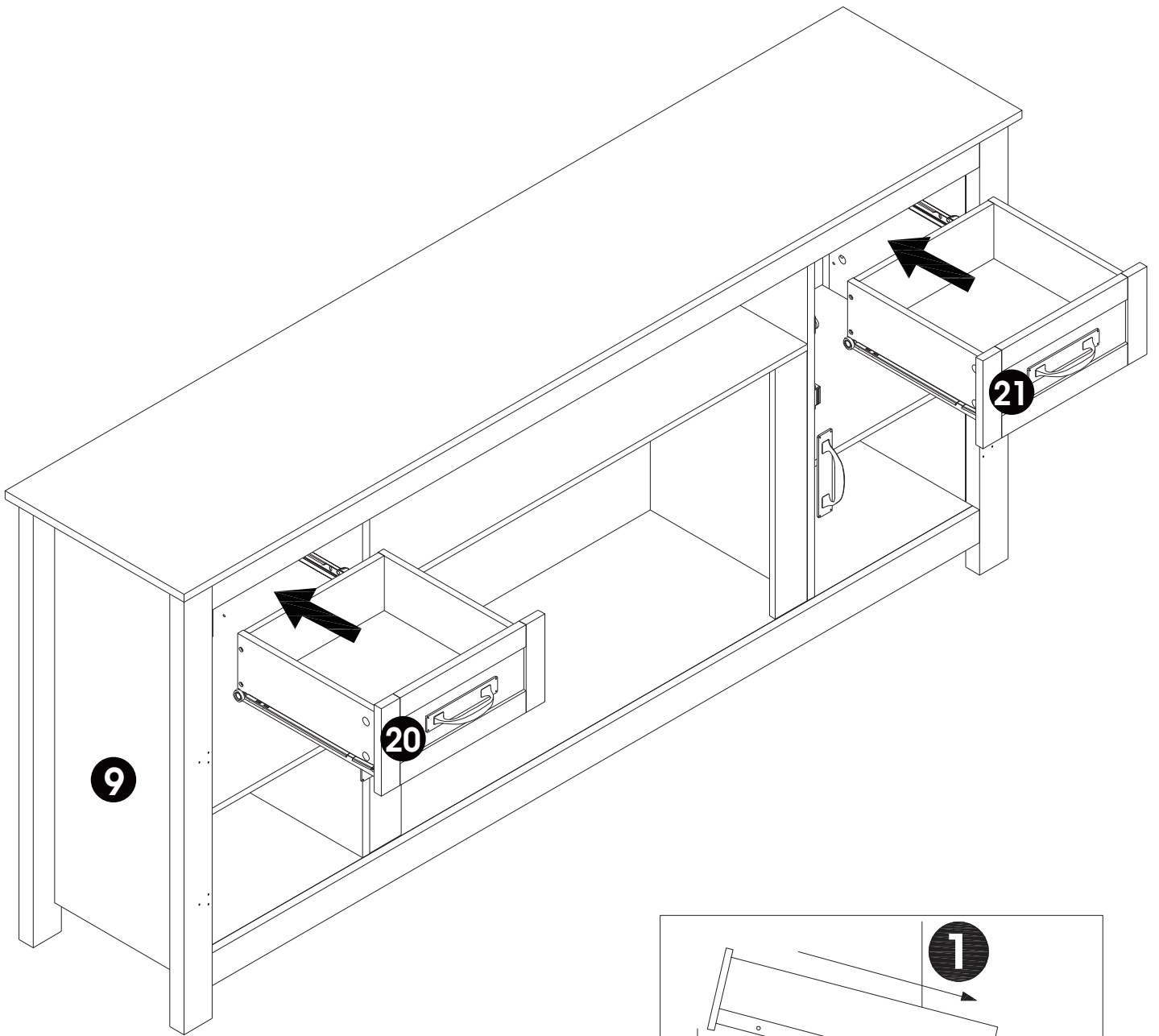


20

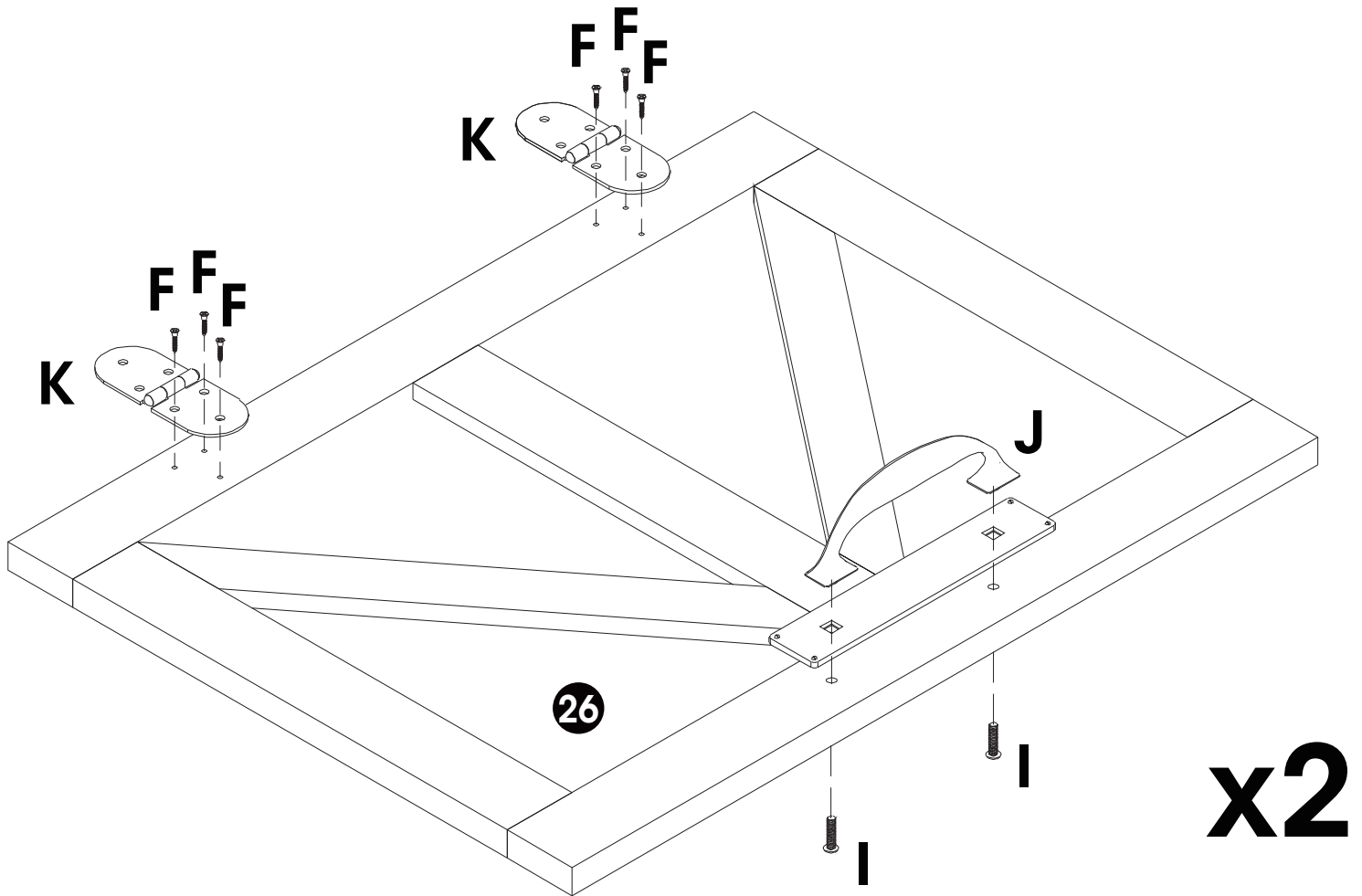
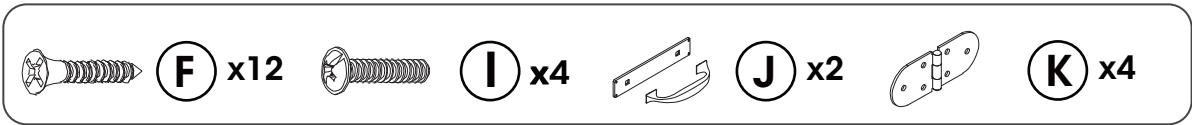


21

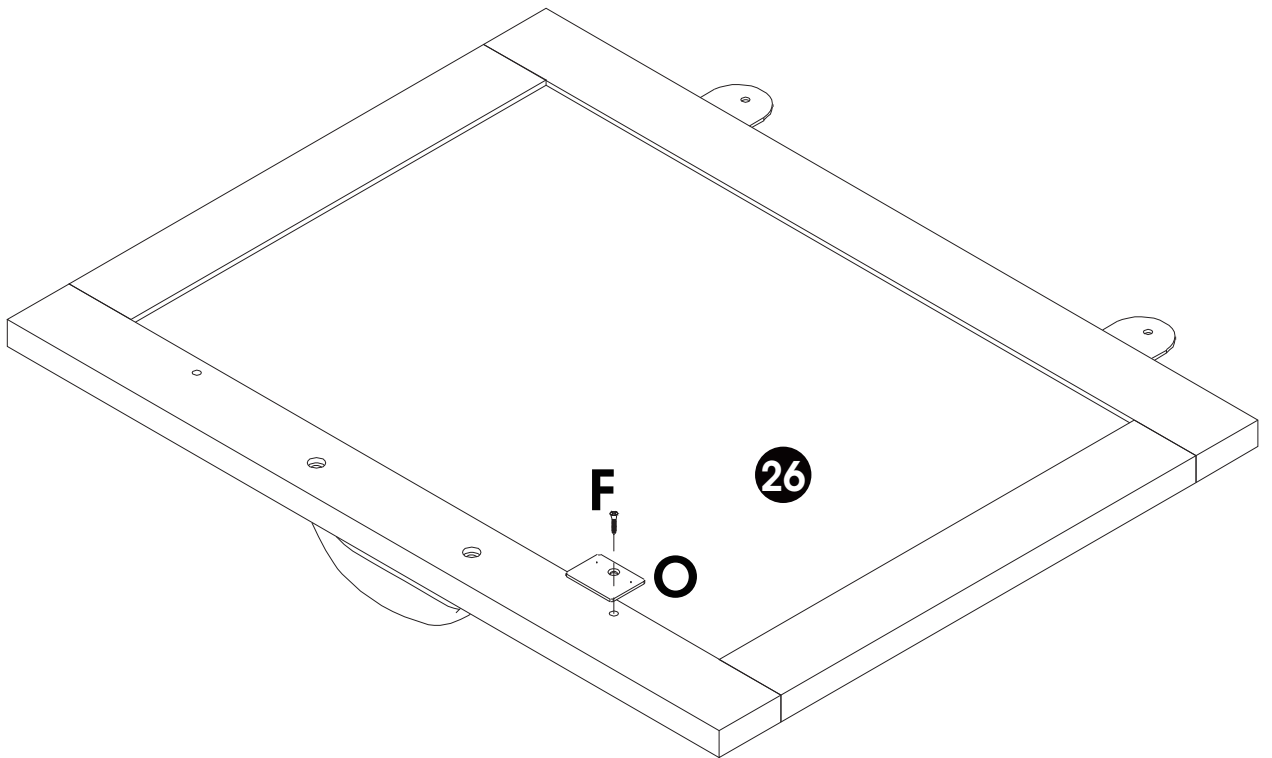
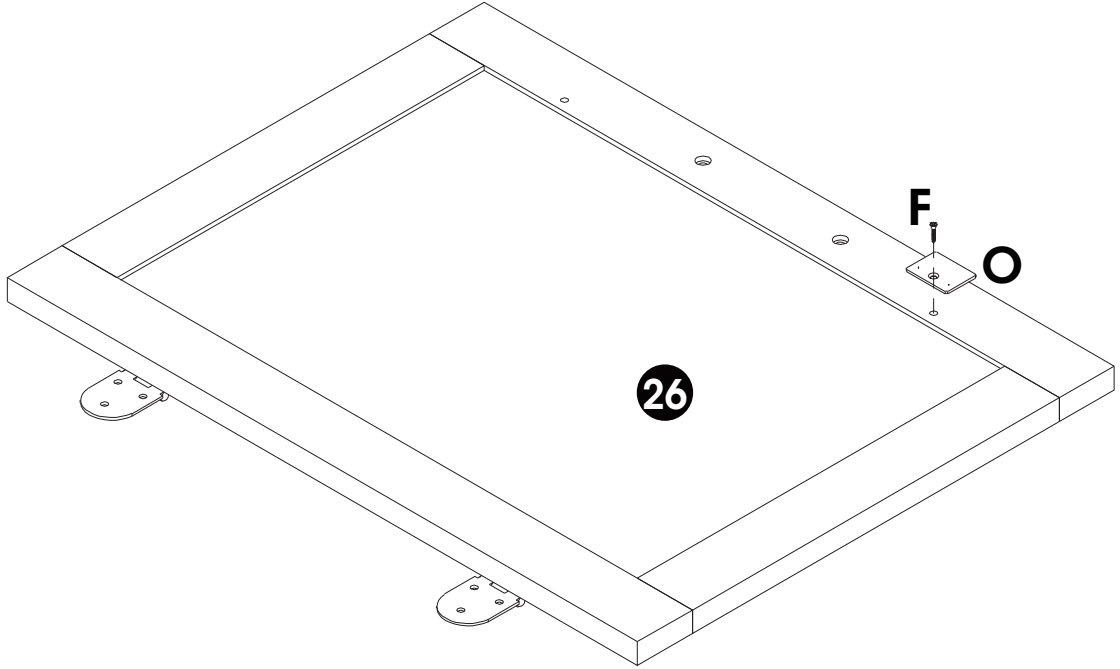
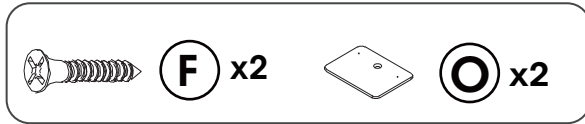




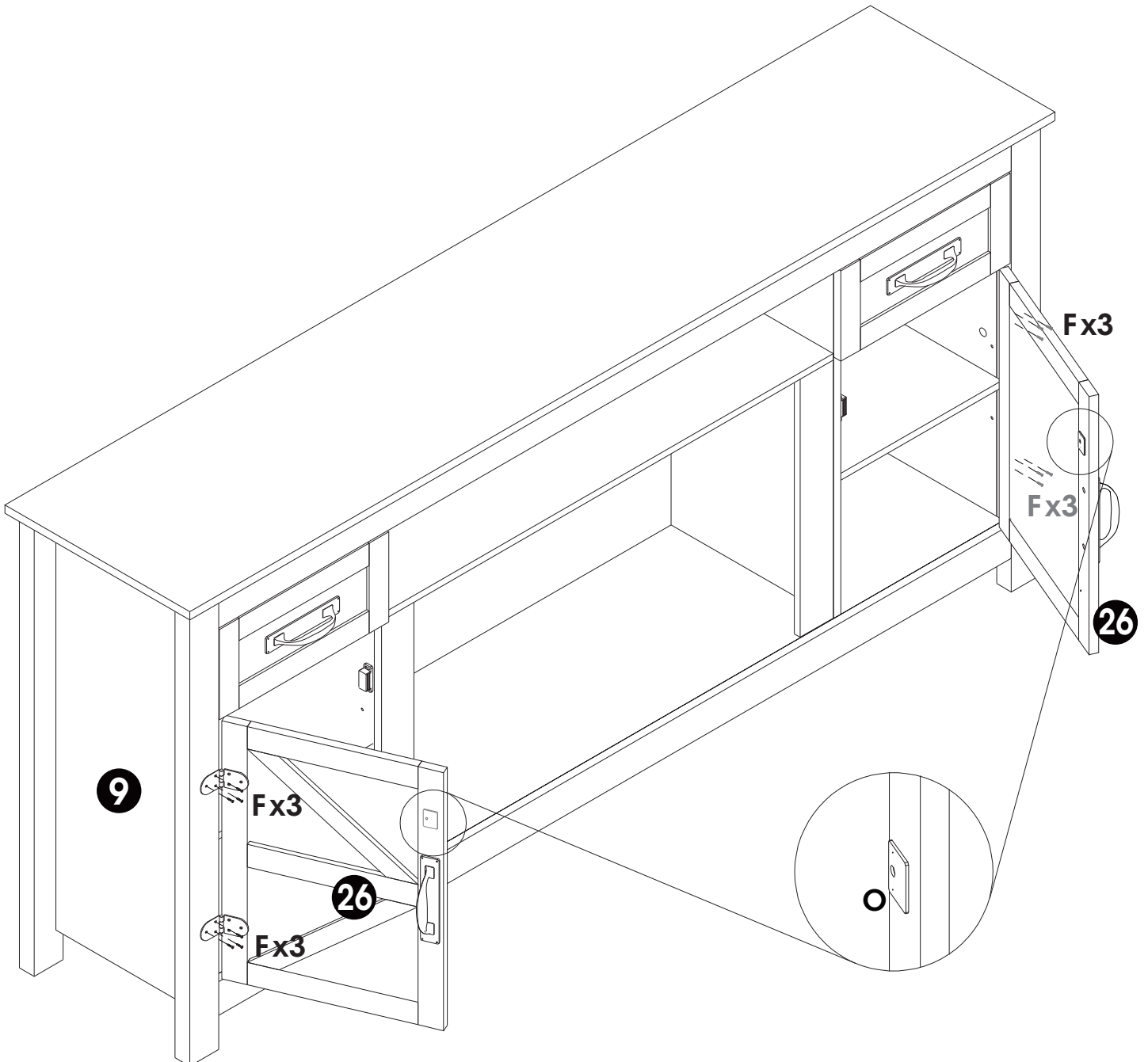
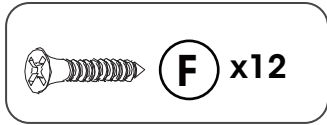
24



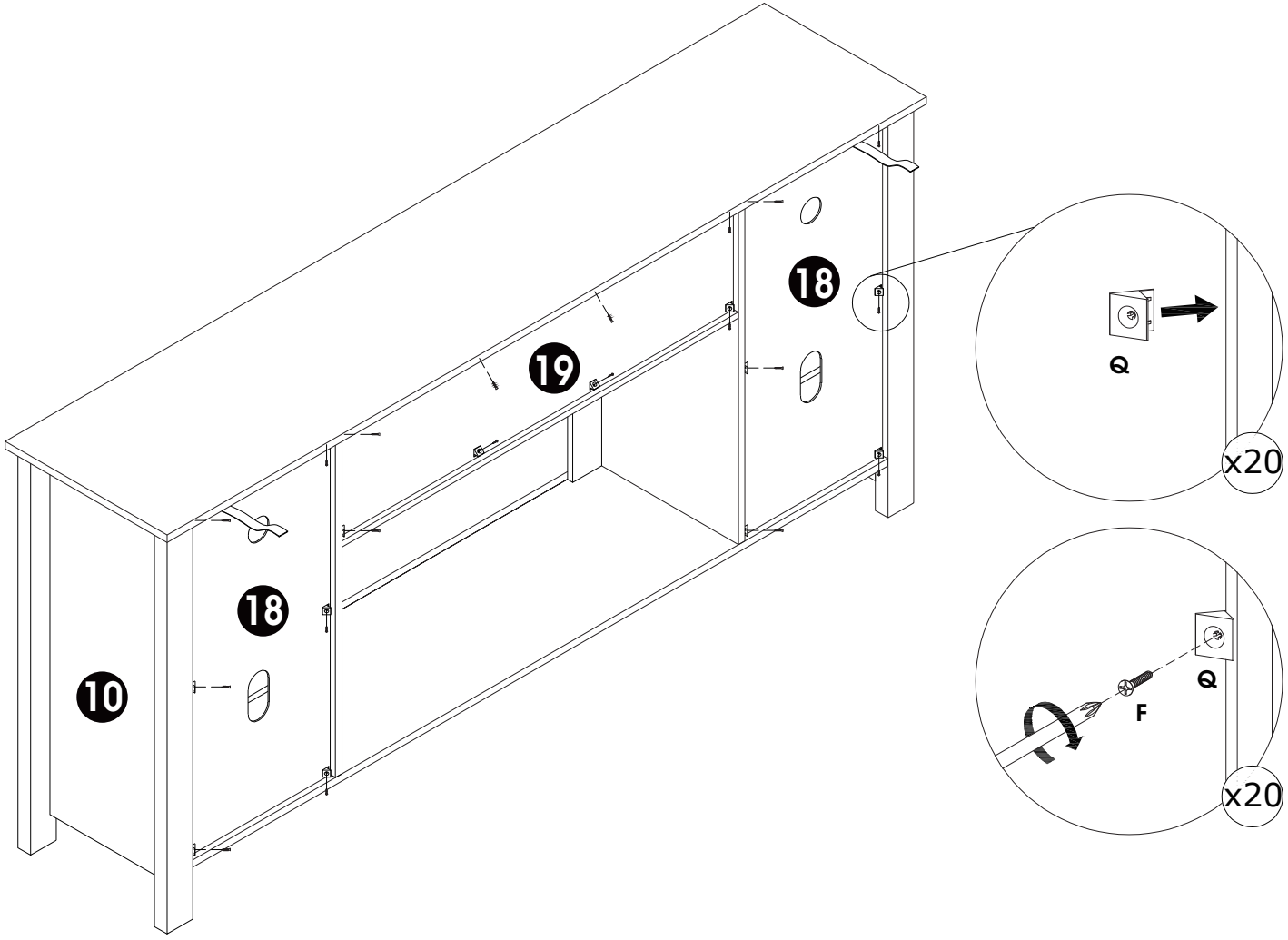
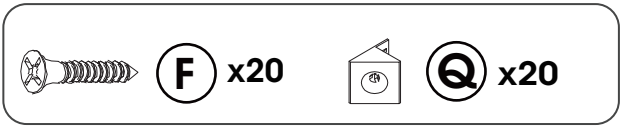
25

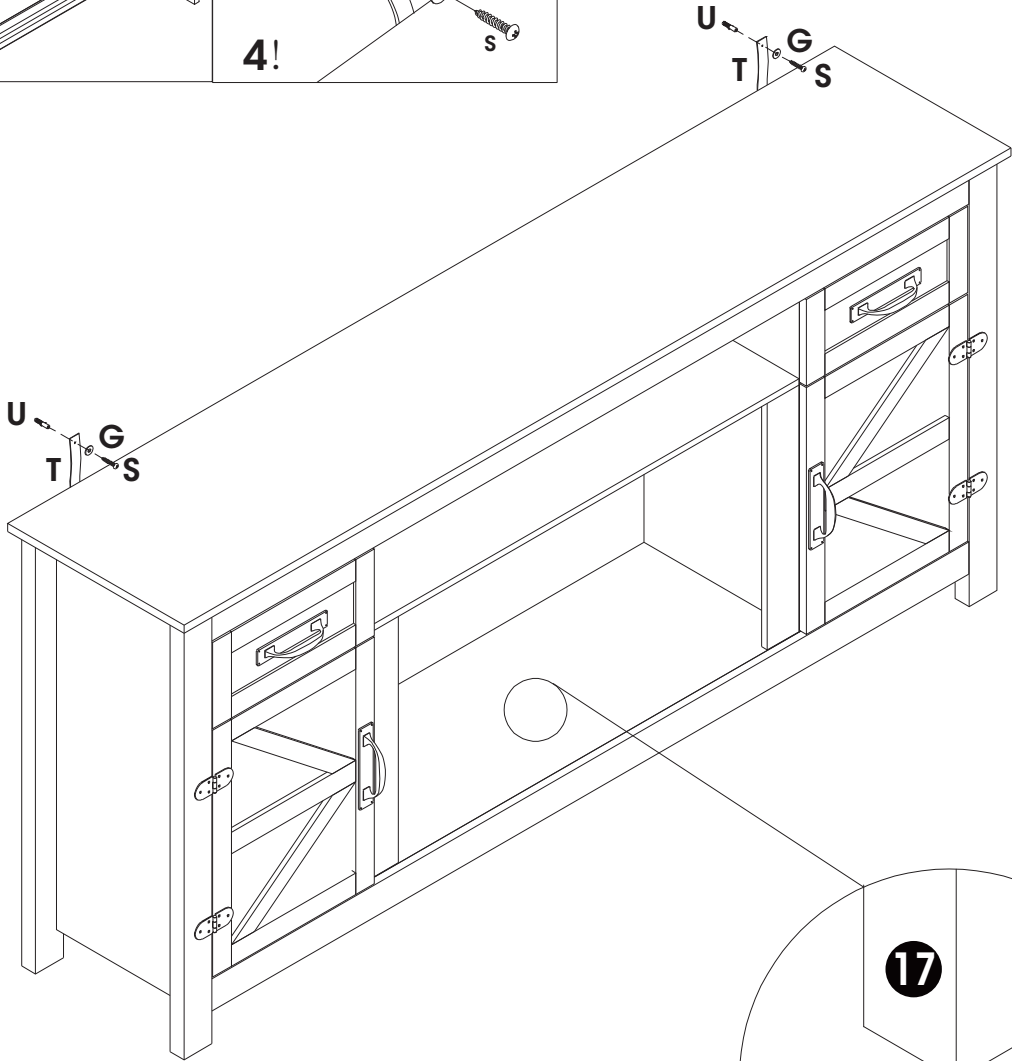
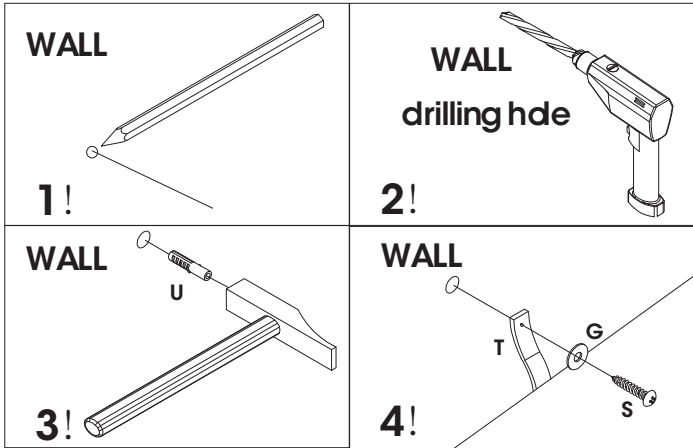
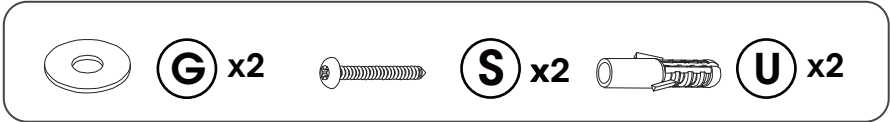


26



27





If the middle part of the cabinet is uneven, you can adjust the support by rotating the leveling feet at the bottom of the base plate.

