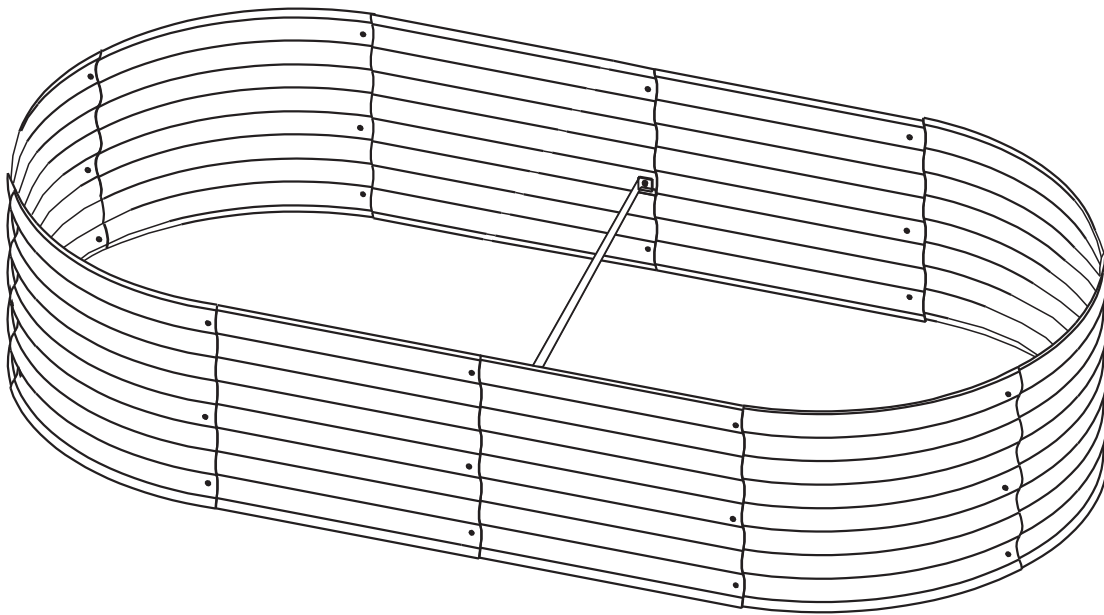


# Instruction Manual

Please save this manual for future reference.



## PREPARATION

---

Before assembling product, make sure all parts are present. Compare parts with package contents list and hardware contents below. If any part is missing or damaged, do not attempt to assemble the product.

**Tools required for assembly (included): Allen key, Spanner**

## SAFETY INFORMATION

---

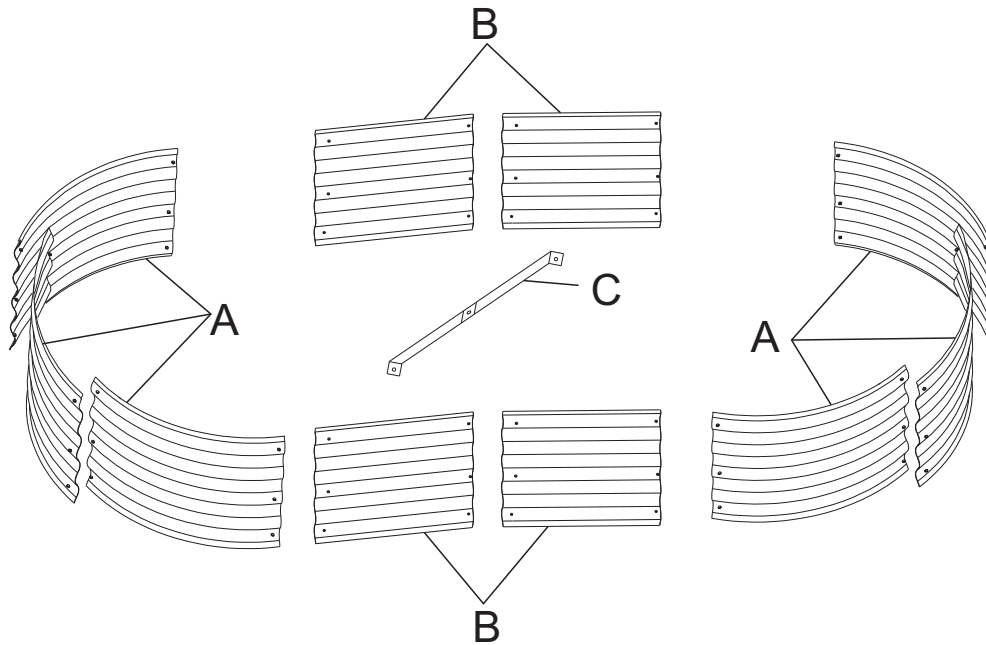
- Tighten all the screws before using.
- This planter is intended for outdoor use only. The floor may be wet when watering the plant.
- Not for use by children. Keep children and pets away from the planter.
- It's suggested to wear gloves when assembling product.

# Instruction Manual

Please save this manual for future reference.

## PACKAGE CONTENTS

---



Part	Description	Quantity
A	corner panel	6
B	side panel	4
C	reinforcement stick	1

## HARDWARE CONTENTS

---

D



Bolt M6x10  
28PCS

E



Bolt M6x16  
2PCS

F



Nut  
30PCS

G



Allen key  
1PC

H



Spanner  
1PC

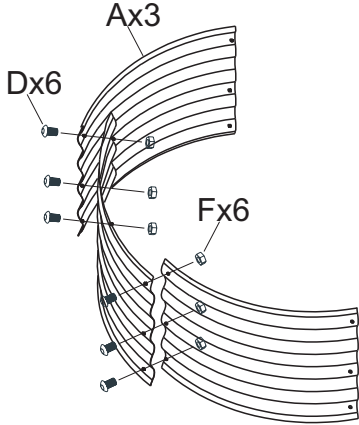
# Instruction Manual

Please save this manual for future reference.

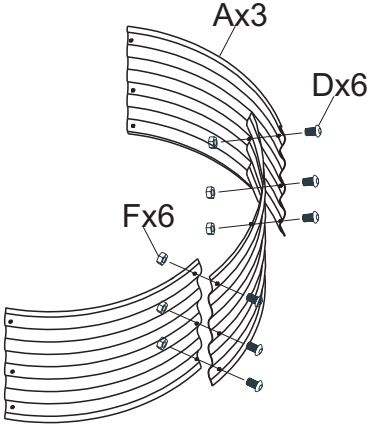
## ASSEMBLY INSTRUCTION

- ① Left side stand: Attach 3 corner panels (A) with bolt (D) and nut (F).  
Right side stand: Do the same way to the other side.

### Left side stand



### Right side stand

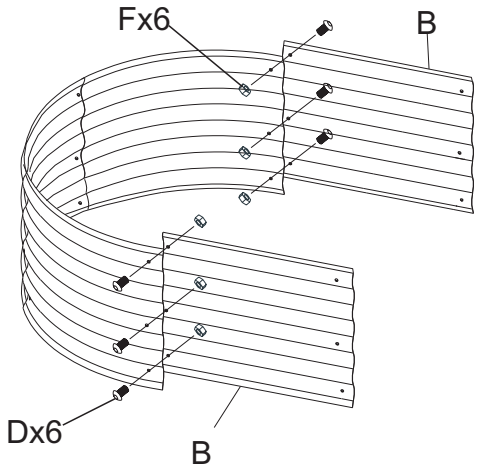


Hardware Used: D  x12  
Bolt M6x10

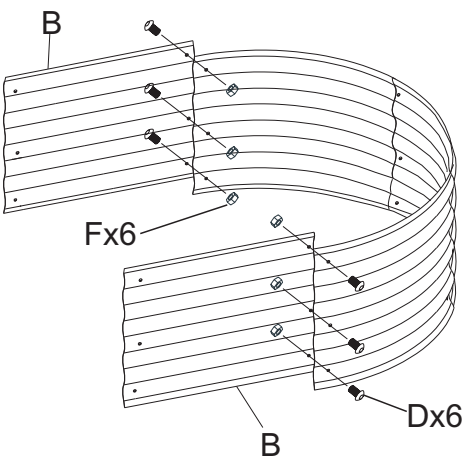
F  x12  
Nut


- ② Attach total 4 side panels (B) to step ①.

### Left side stand



### Right side stand



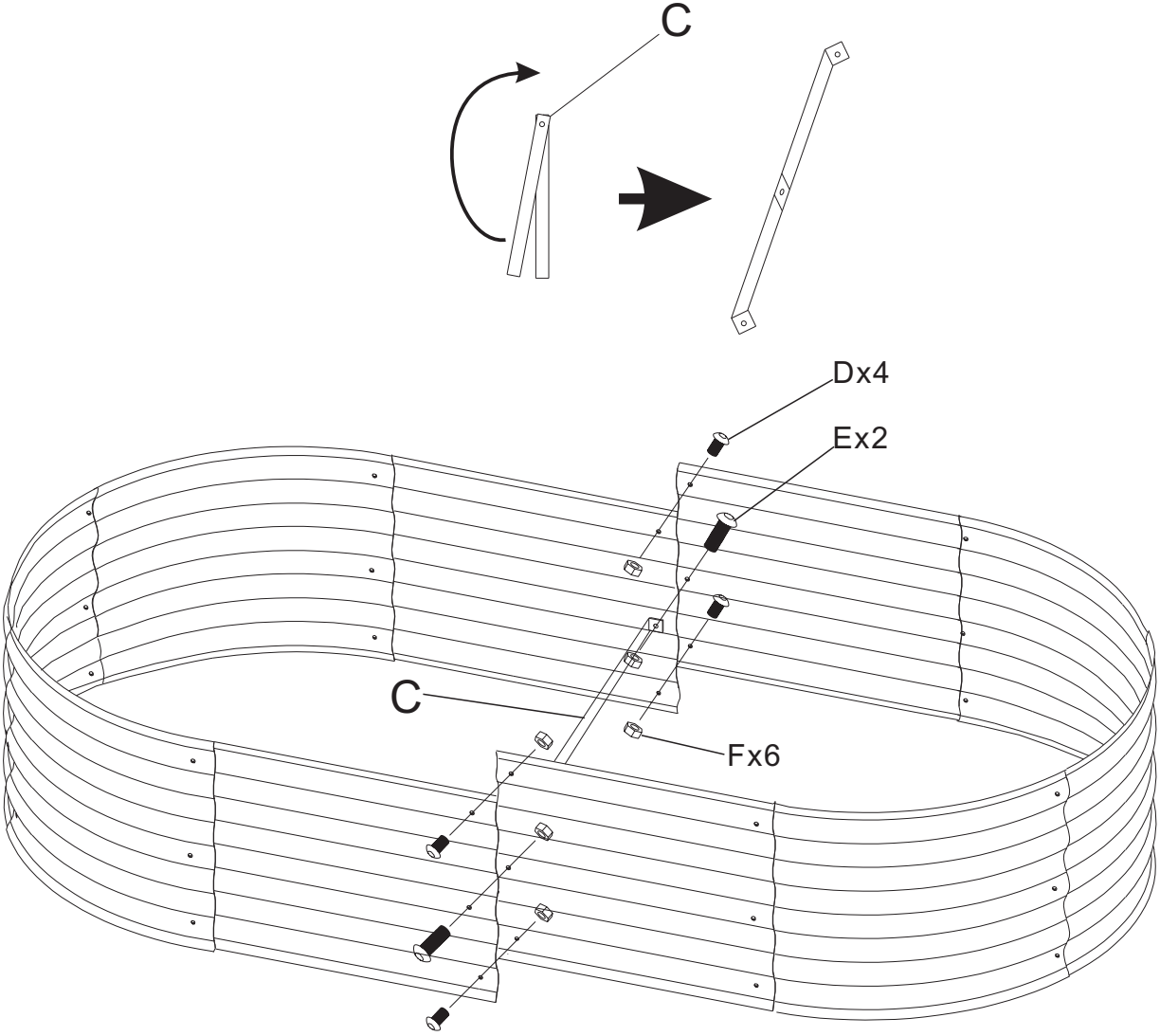
Hardware Used: D  x12  
Bolt M6x10

F  x12  
Nut

# Instruction Manual

Please save this manual for future reference.

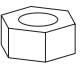
③ Attach part ② (the two sides) and reinforcement stick (C) with bolts (D), (E) and nuts (F).



Hardware Used:

D  x4  
Bolt M6x10

E  x2  
Bolt M6x16

F  x6  
Nut