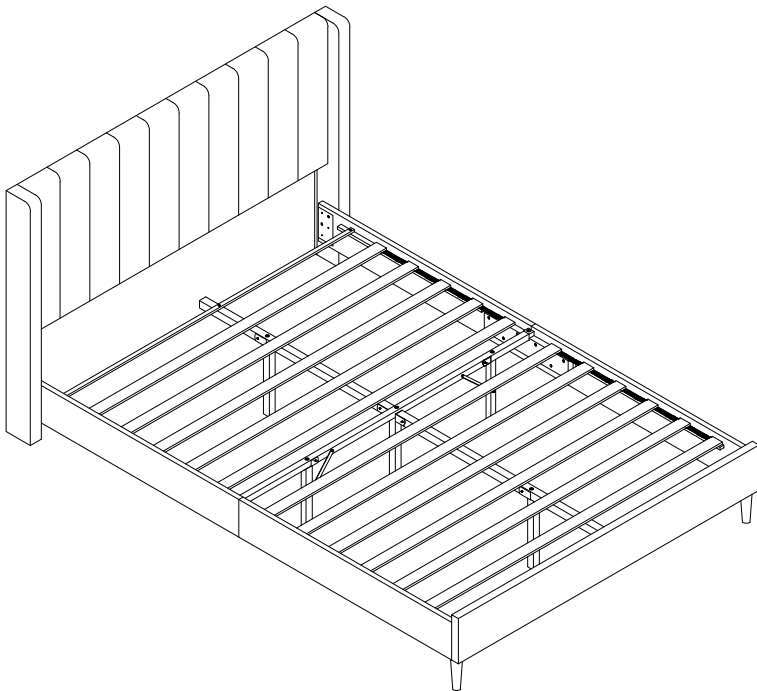


ASSEMBLY INSTRUCTION



WARNING: OPEN THE HEADBOARD BACK ZIPPER, THE BED REST PARTS IN IT.



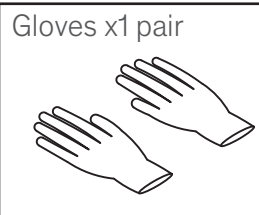
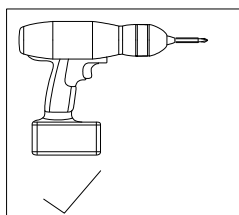
Please TEAR OFF this shrink film from side! DO NOT USE CUTTER!

IMPORTANT NOTE

- 1. All other components are stored inside the headboard. Before proceeding with assembly, please open the zipper located on the headboard and remove all components.**
2. For the protection of your furniture, place all parts on a clean and smooth surface to prevent any damage.
3. Keep fittings out of children's reach and keep children well away from construction area.
4. When moving your assembled bed, it is best to lift the bed and never to drag it.
5. Do not use this product if parts are missing, damaged or worn.
6. This product should only be used on firm, level ground.
7. Please periodically check all fittings and re-tighten as necessary.
8. Do not use the bed unless all bolts and screws are firmly secured.
9. For further assistance, please provide a screenshot of your order and contact us via email at

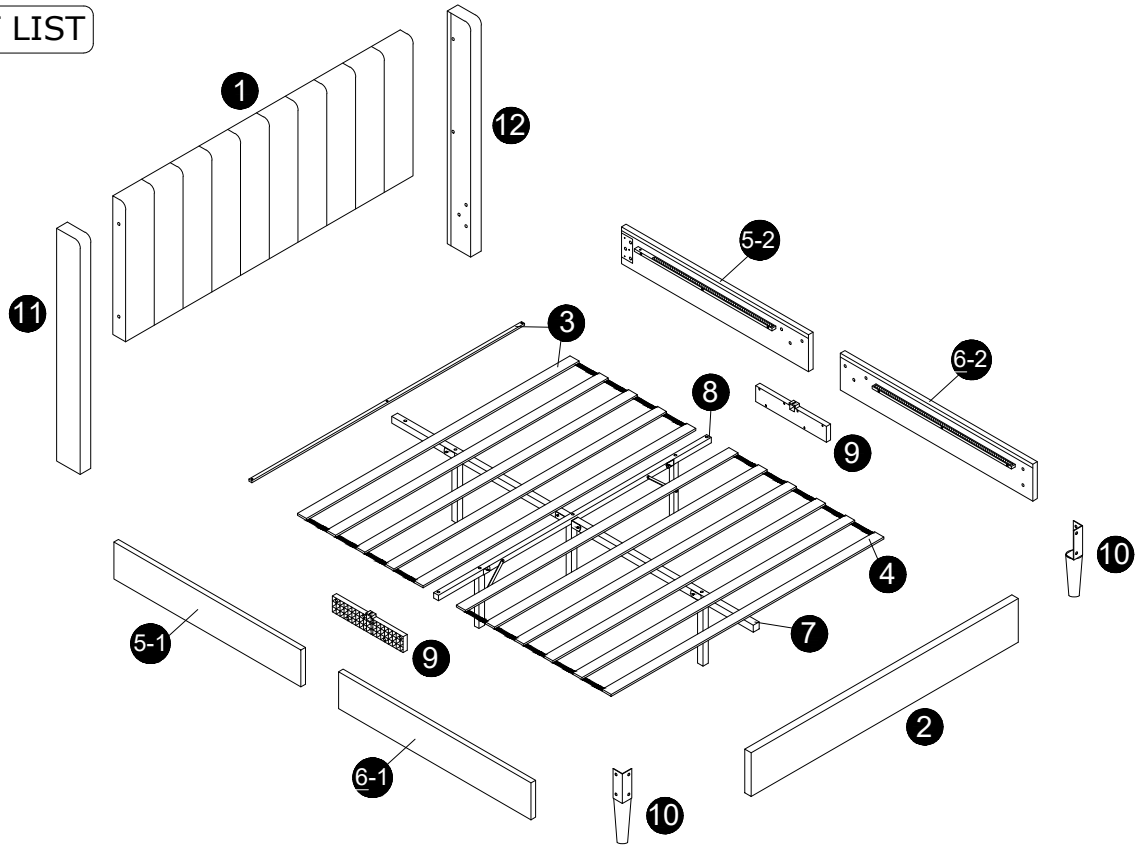


Minimum two person assembly

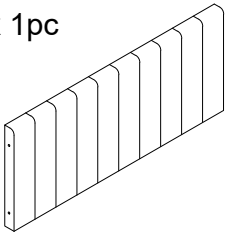


Please note gloves. This fabric is very light colour. So when assembling bed, please wear them.

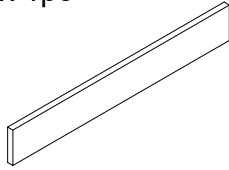
PART LIST



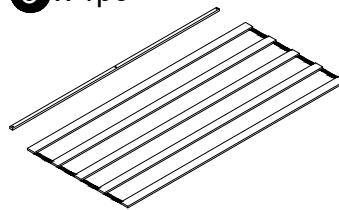
1 x 1pc



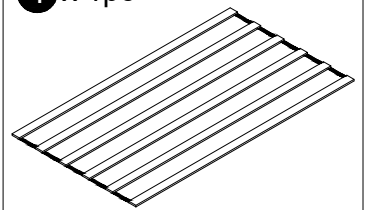
2 x 1pc



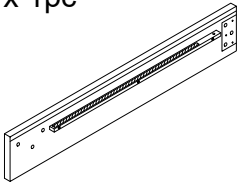
3 x 1pc



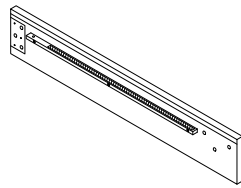
4 x 1pc



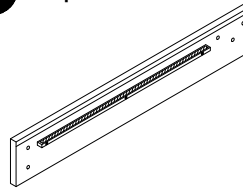
5-1 x 1pc



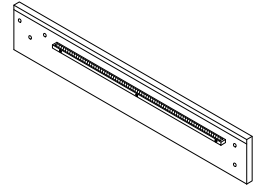
5-2 x 1pc



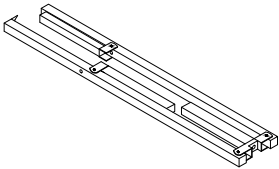
6-1 x 1pc



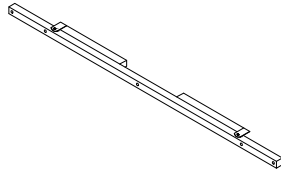
6-2 x 1pc



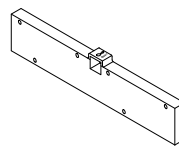
7 x 1pc



8 x 1pc



9 x 2pcs



10 x 2pcs



11 x 1pc

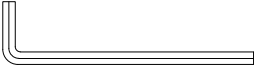
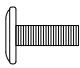




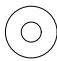



12 x 1pc



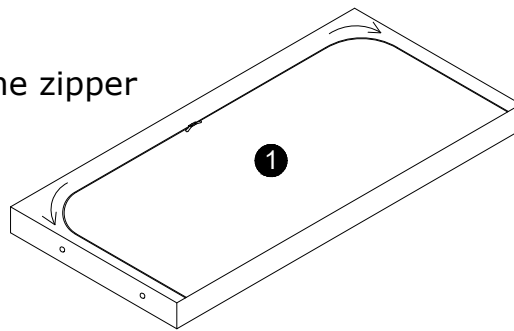
Please ensure to thoroughly inspect the small inner cardboard box containing the hardware, which are tied with a red string, before disposing of the box.

HARDWARE LIST

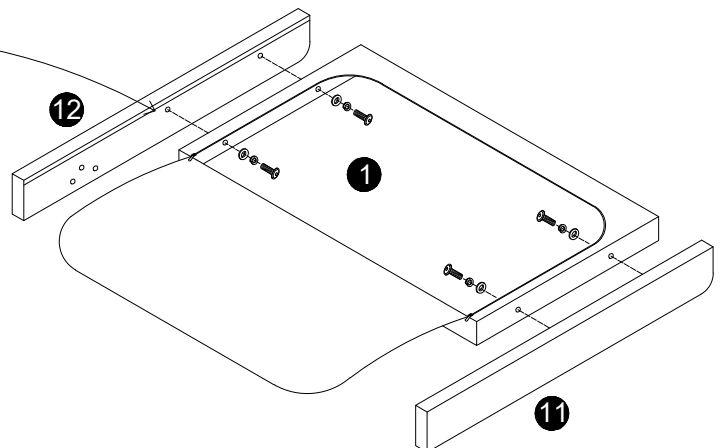
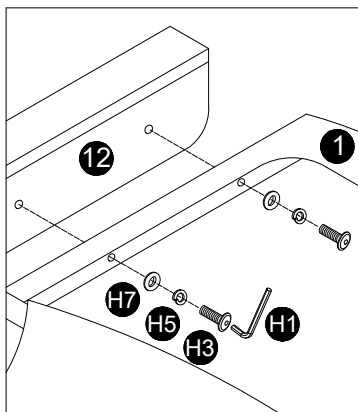
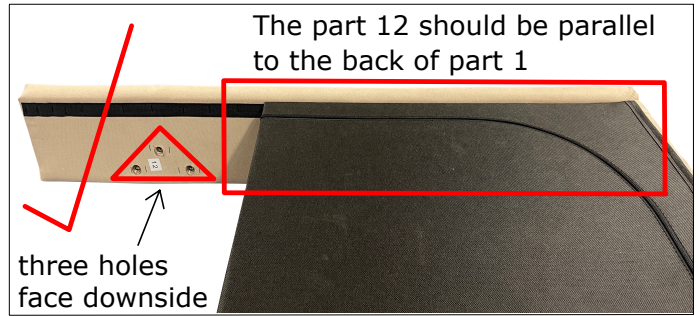
 H1 M5 x 1pc	 H2 M8x20mm x 9pcs	 H3 M8x35mm x 4pcs	 H4 M8x40mm x 25pcs
 H5 M8 x 10pcs	 H6 M8x50mm x 2pcs	 H7 M8x22mm x 10pcs	 H8 M8x60mm x 1pc

1 **NOTE:** PLEASE OPEN THE ZIPPER ON THE BACK OF ① AND TAKE OUT THE PARTS.

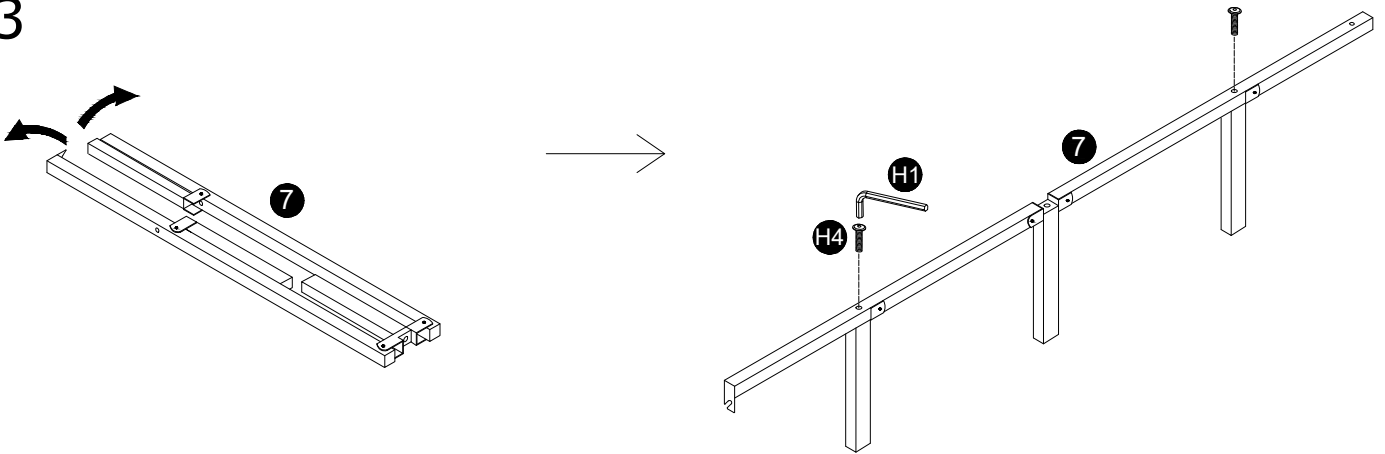
Open the zipper



2

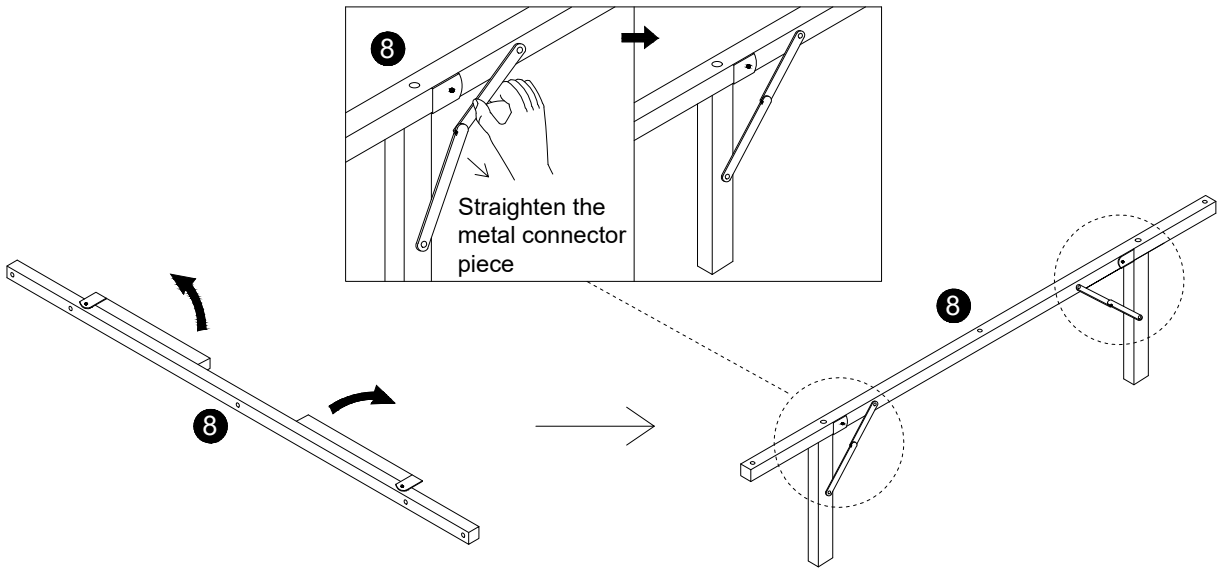


3

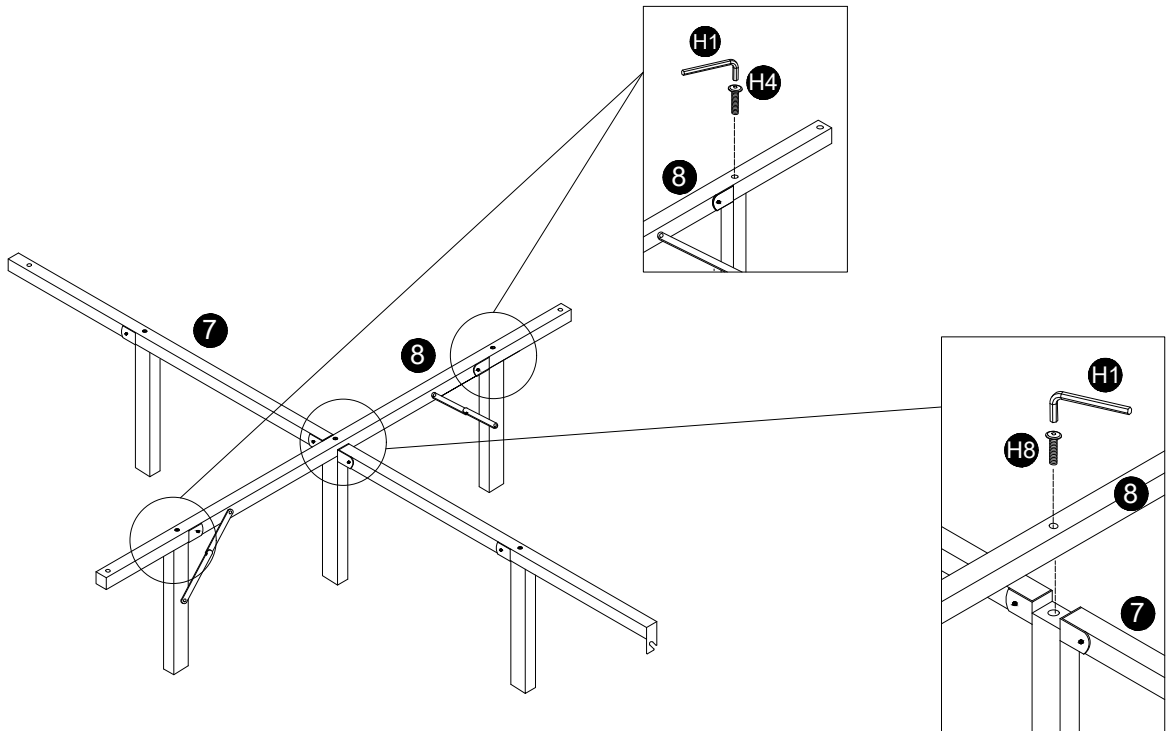


4

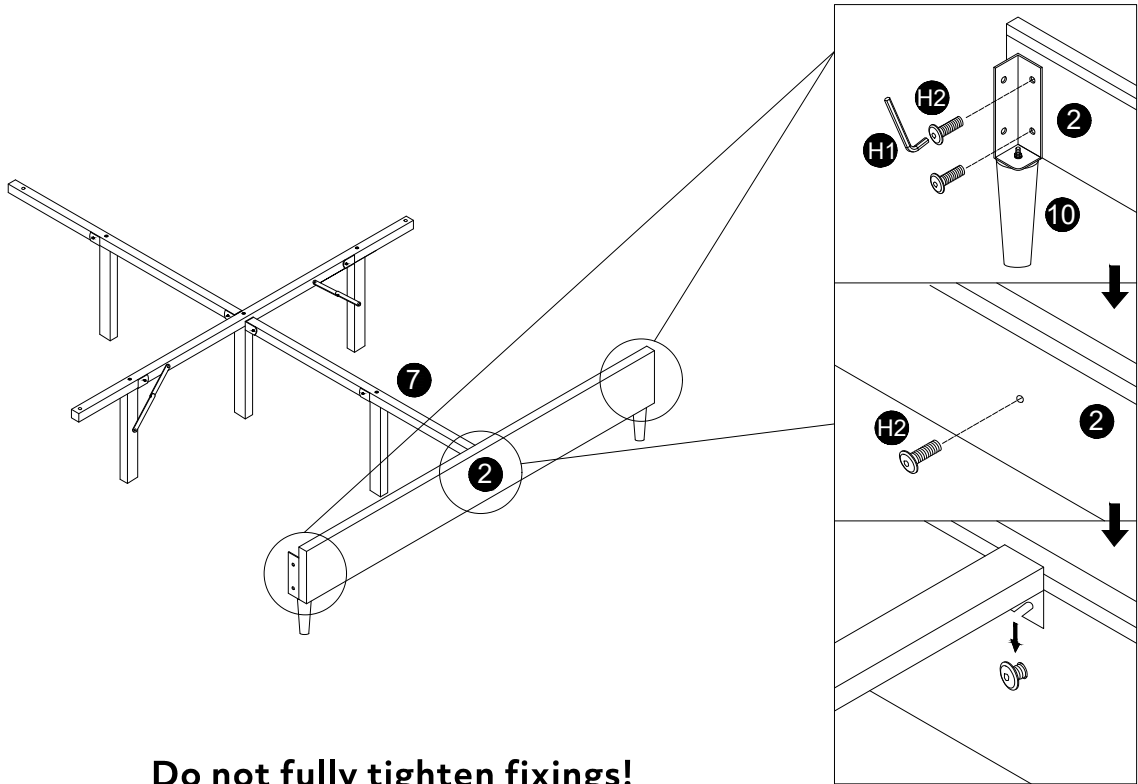
BEWARE OF CLAMP HAND



5



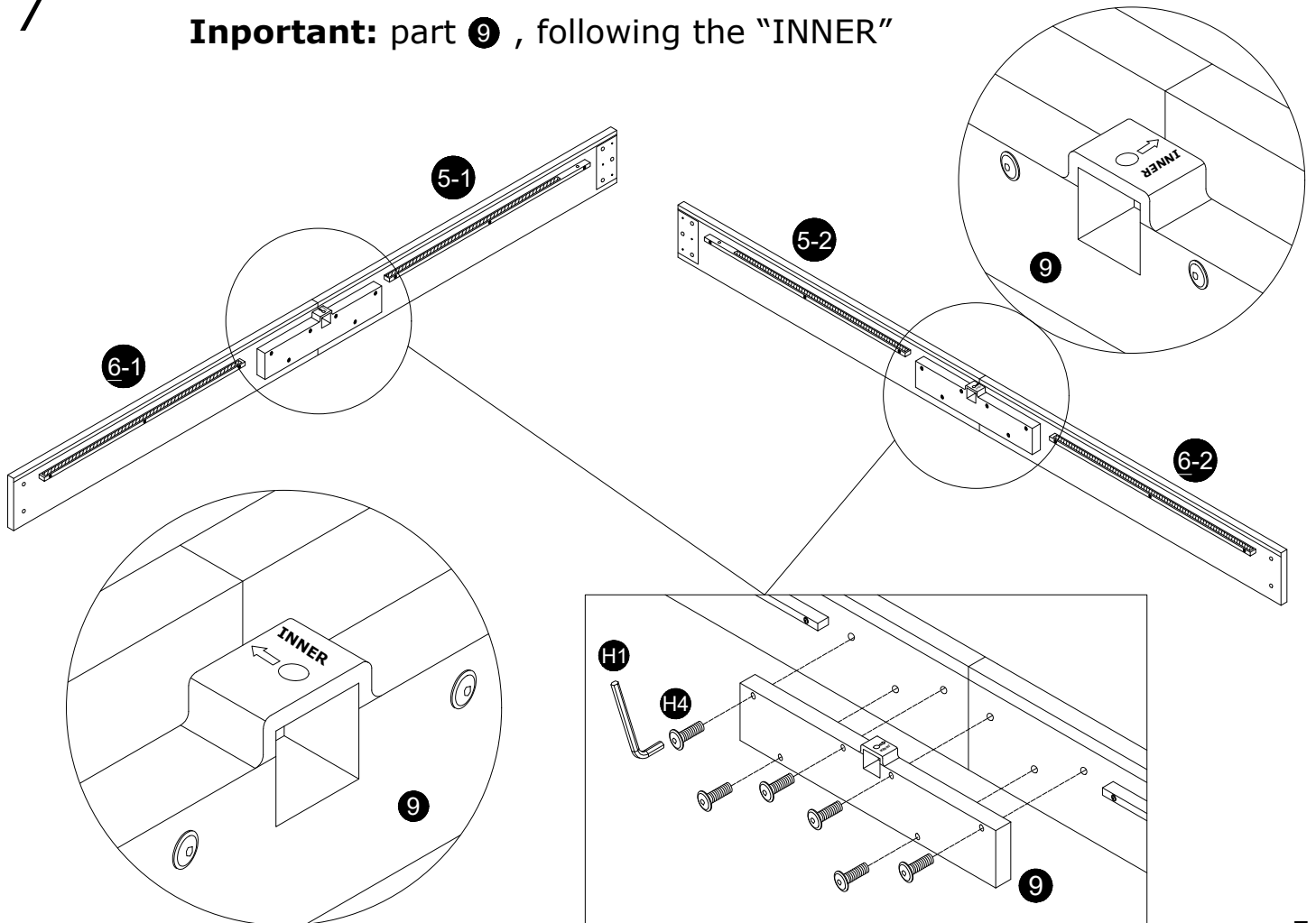
6



Do not fully tighten fixings!

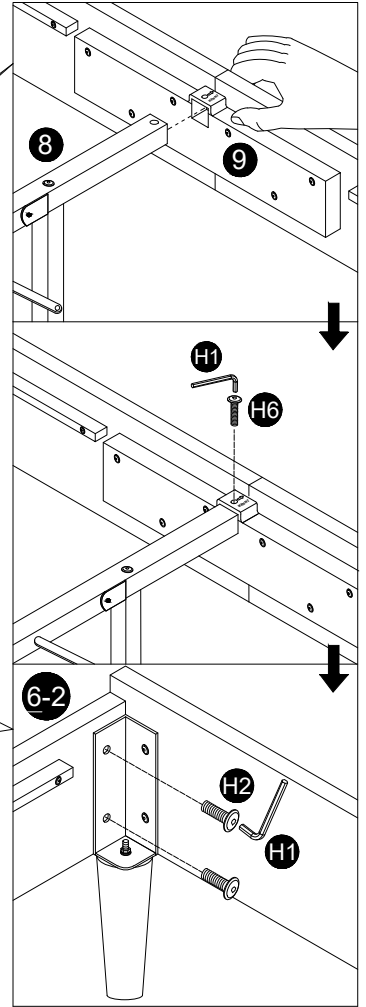
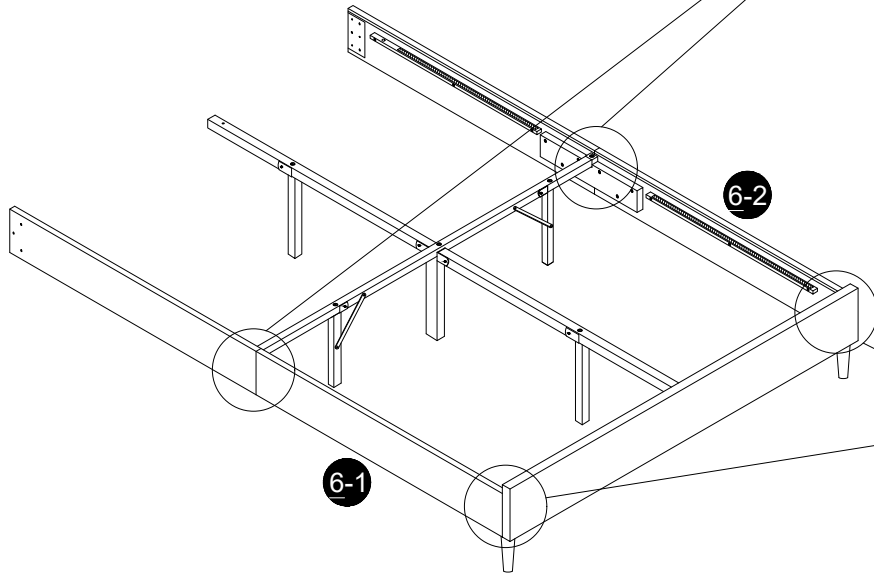
7

Important: part 9 , following the "INNER"



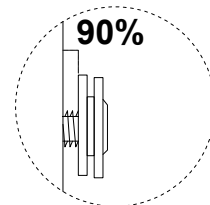
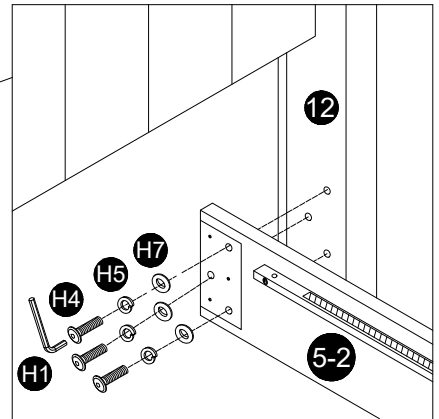
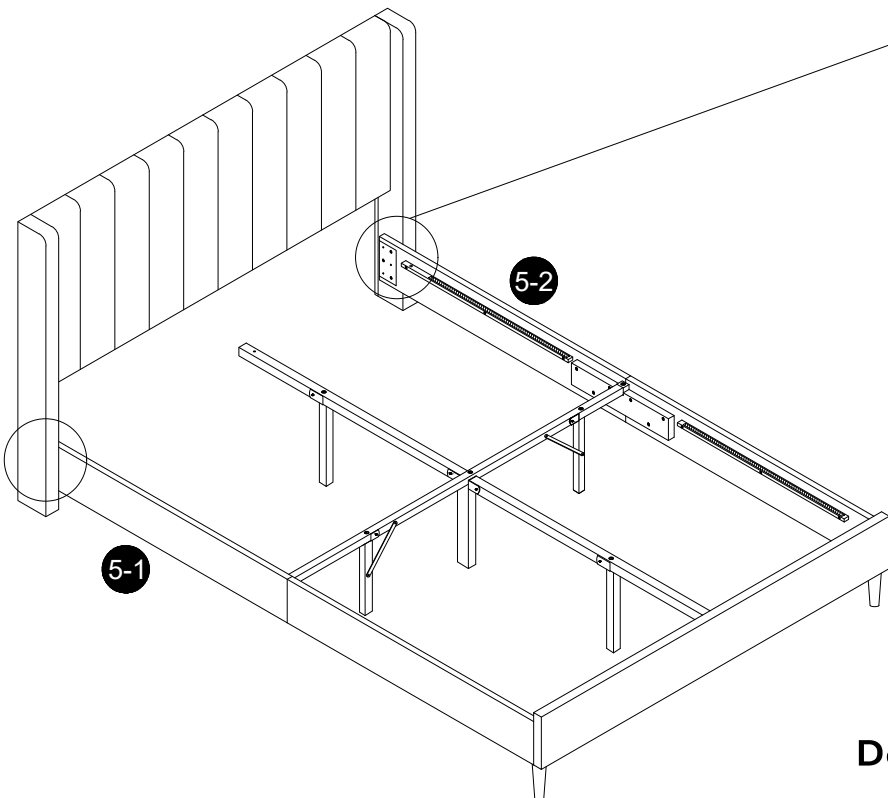
8

If can't assembly, checking STEP 3 if wrong



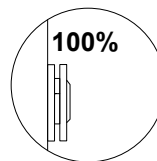
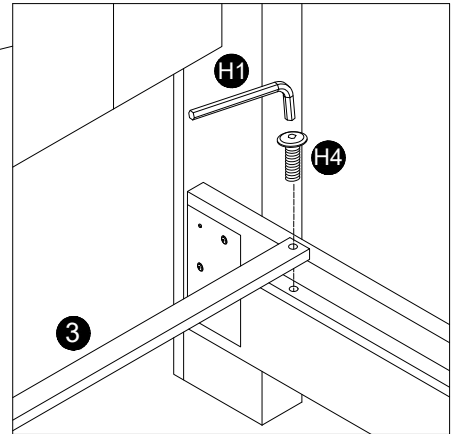
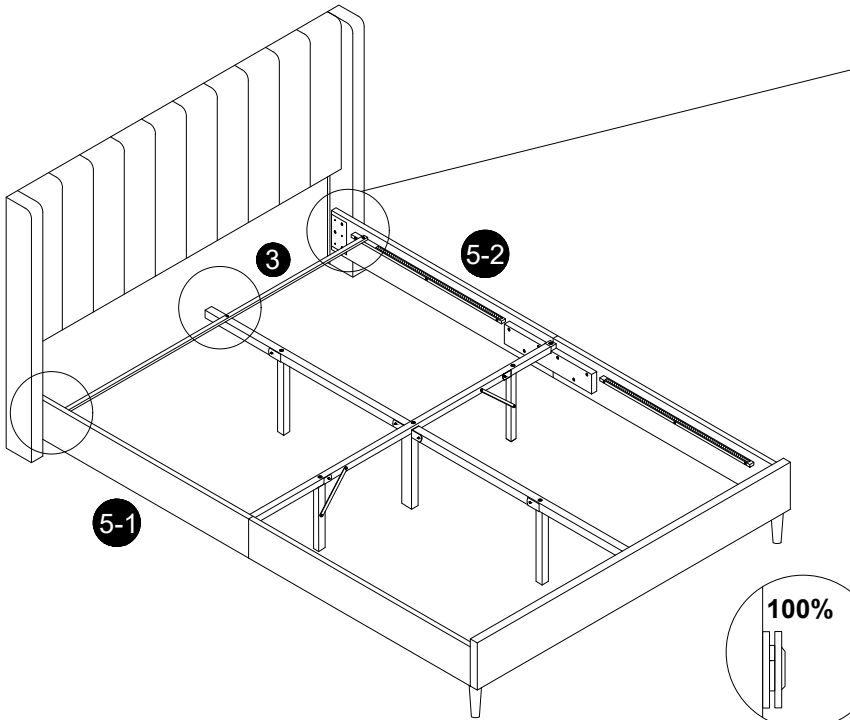
Do not fully tighten fixings!

9



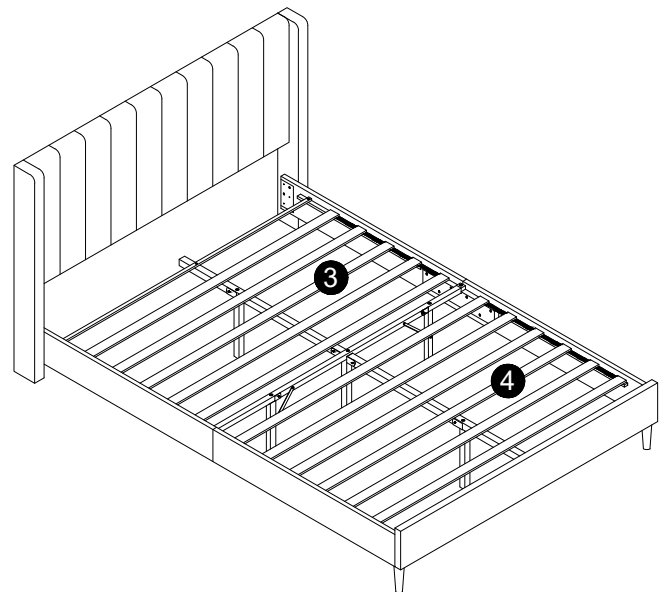
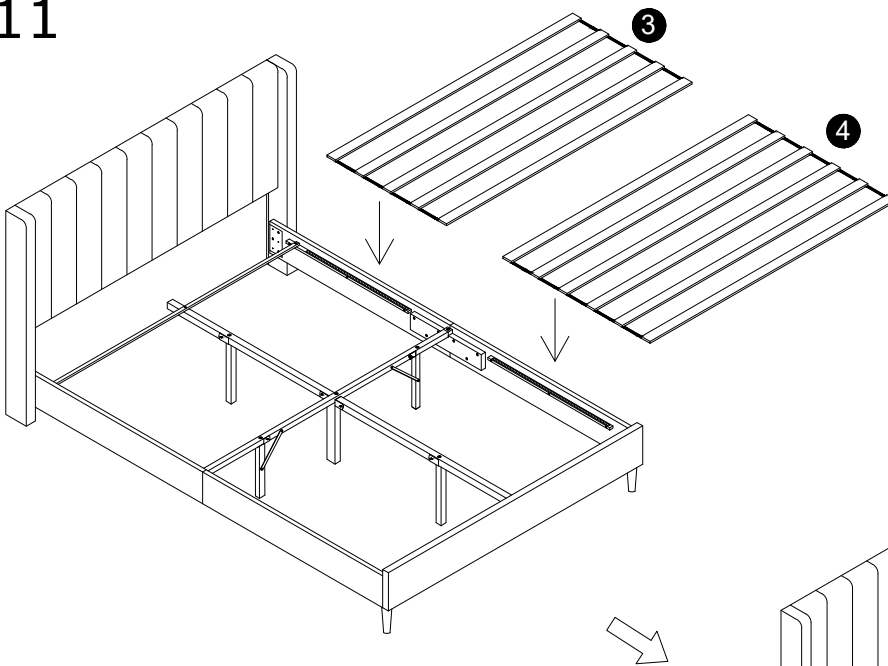
Do not fully tighten fixings!

10



After assembly is completed,
Fully tighten step 6 to step 9
all fixings.

11



If The mattress doesn't fit in,
checking STEP 2 if wrong

Job Complete !

In the interest of our environment please dispose of all packaging thoughtfully.