



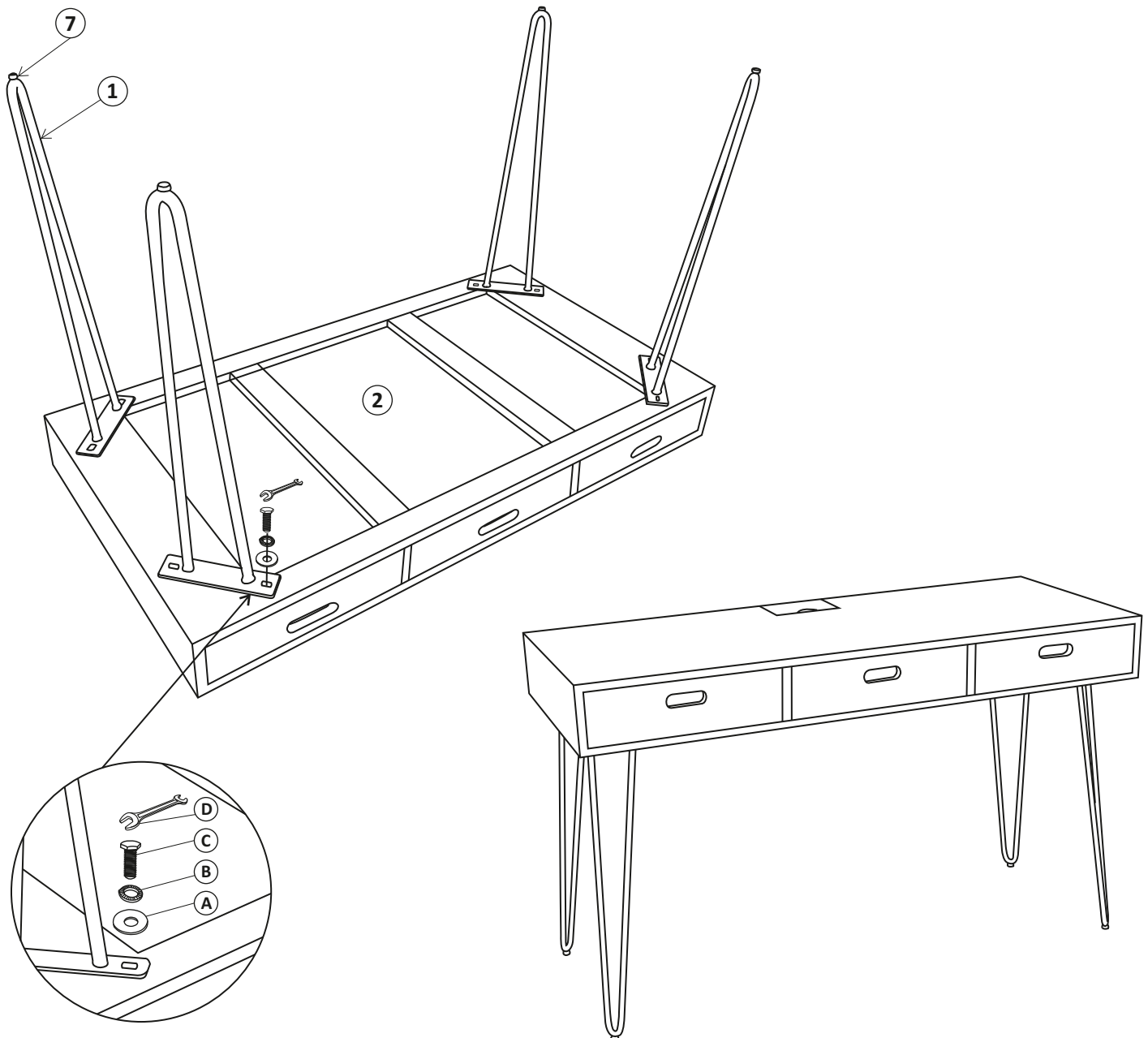


ASSEMBLY INSTRUCTIONS & PARTS IDENTIFICATION POWER DESK

Thank you for purchasing this quality product. Be sure to check all packing material carefully for small parts that may have come loose inside the carton during shipment.

Key Parts			
No.	Code	Qty.	Description
1	P02	4 Pcs	Legs
2	P05	3 Pcs	Complete drawers
3	P05A	3 Pcs	Drawer stopper
4	P22	1 Pc	Lift top
5	P22H	2 Pcs	Lift top hinges
6	P01E	1 Pc	Power outlet
7	P01L	4 Pcs	Floor levelers

Hardware Kit			
No.		Description	Qty.
A		Flat Washer	8 Pcs
B		Lock Washer	8 Pcs
C		Bolt 8x25 mm	8 Pcs
D		Key Wrench	1 Pc



MADE IN INDIA