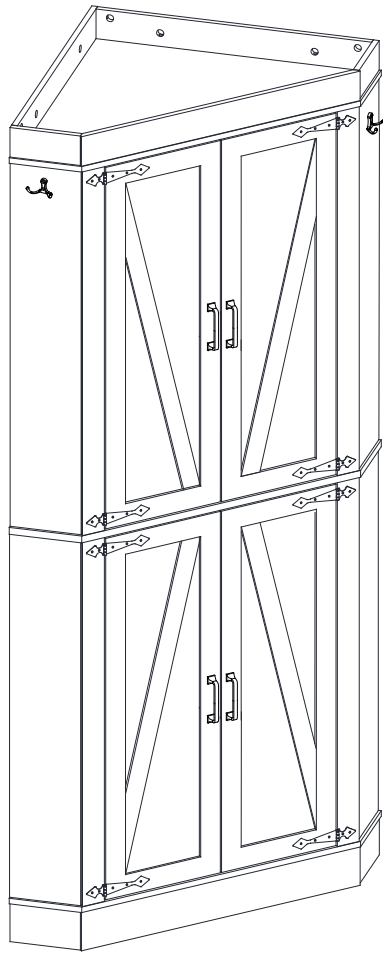


USER MANUAL



Please read this manual carefully before installation and keep it well for future reference.

Trouble shooting:

Missing/Wrong/Broken parts and installation issues



Send email with your question, pic and order number.



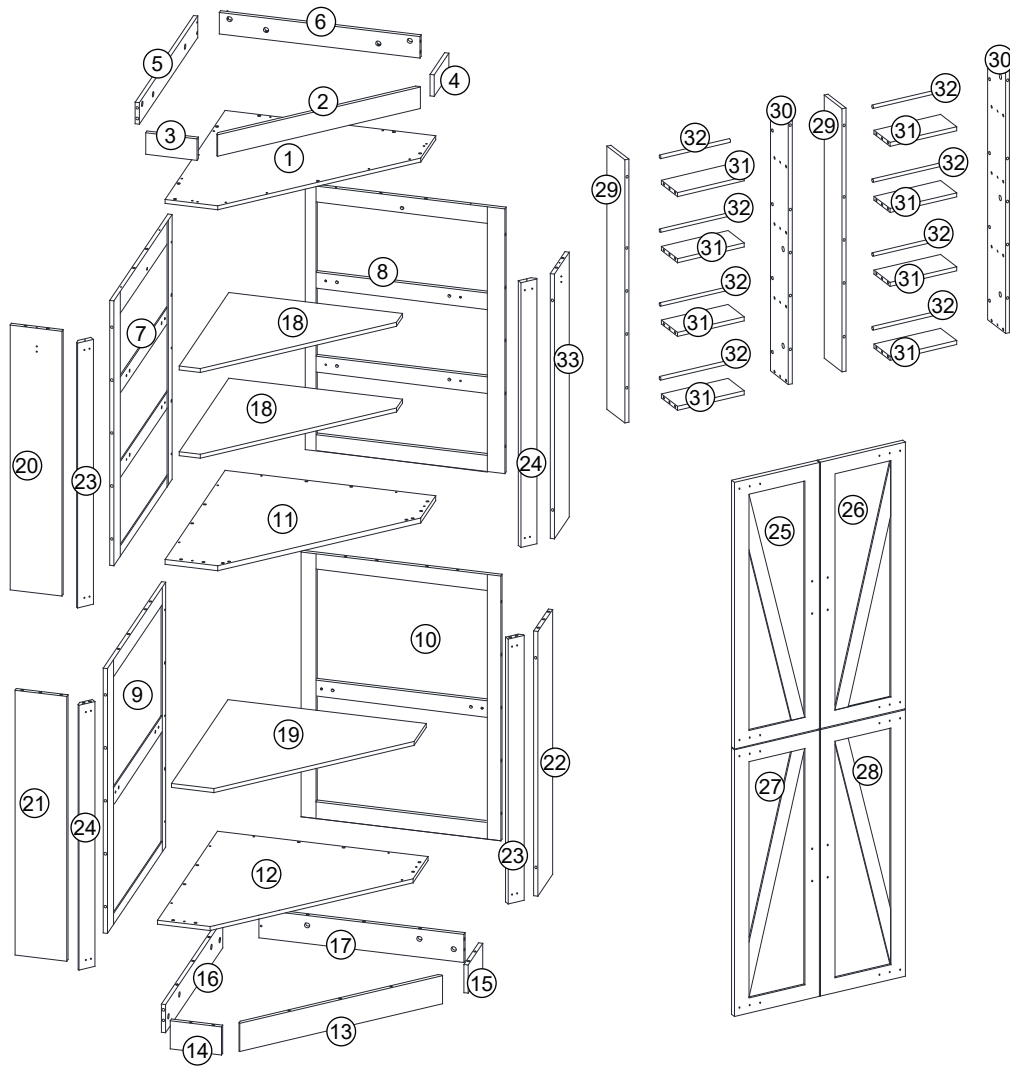
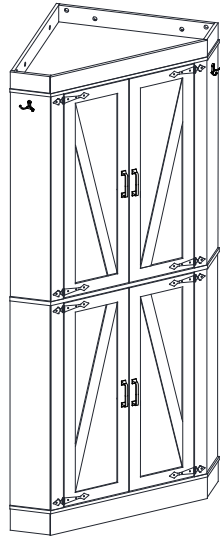
Respond within 24 hours



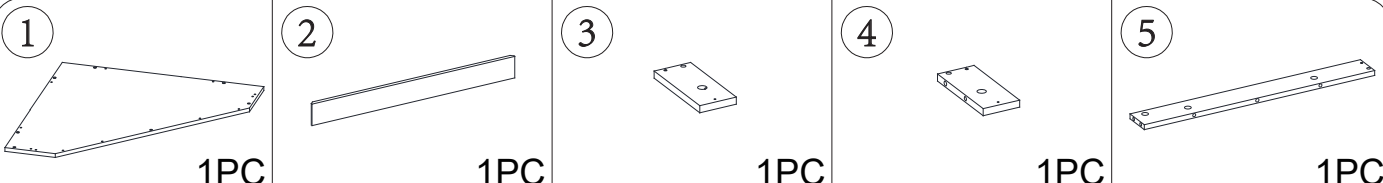
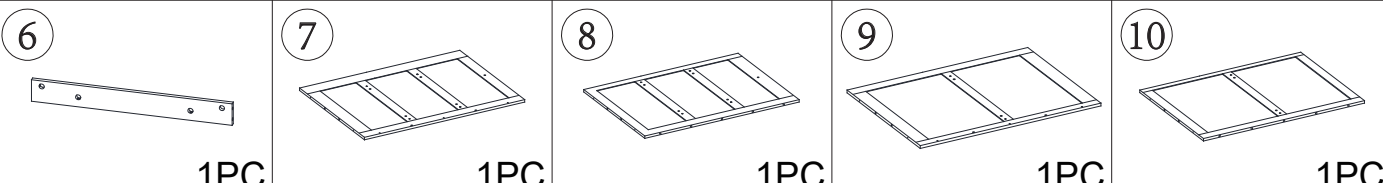
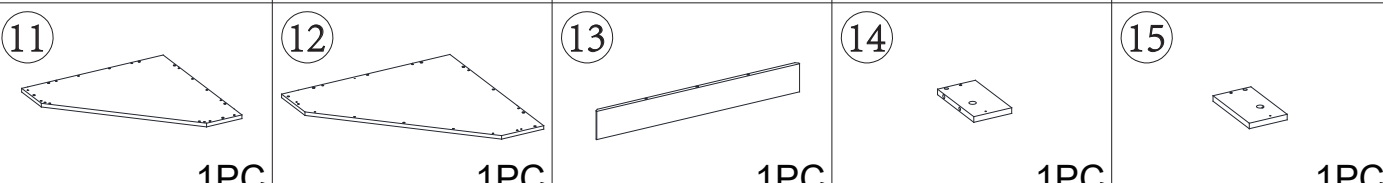
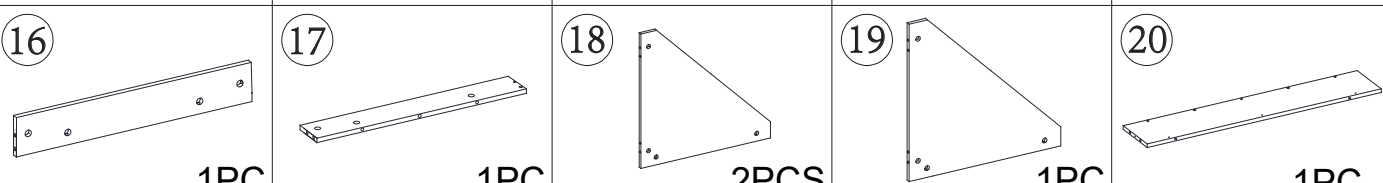
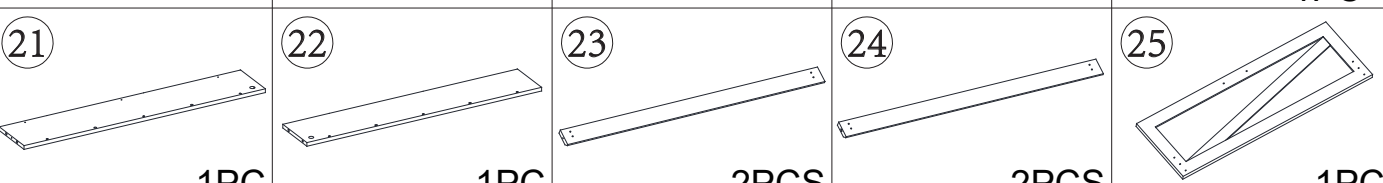
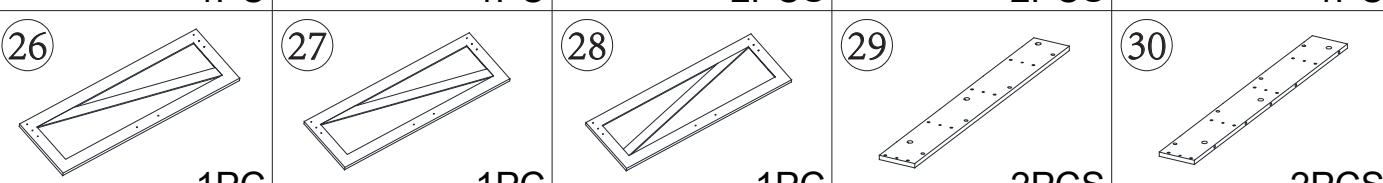
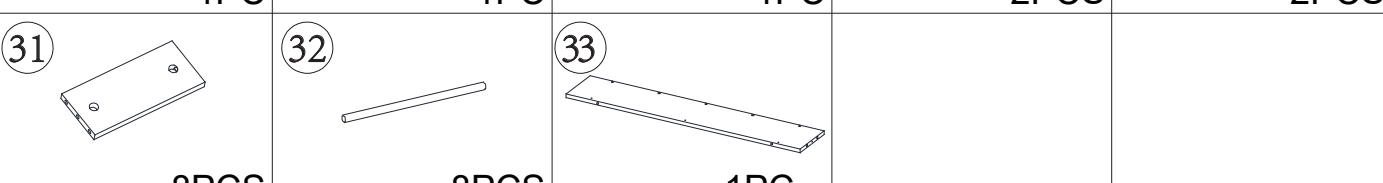
Issue resolved






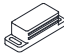




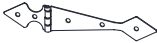



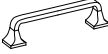



Installation Instructions

Note: Avoid fully tightening screws during initial assembly in case of assembly errors. Tighten screws only after all parts have been properly assembled.



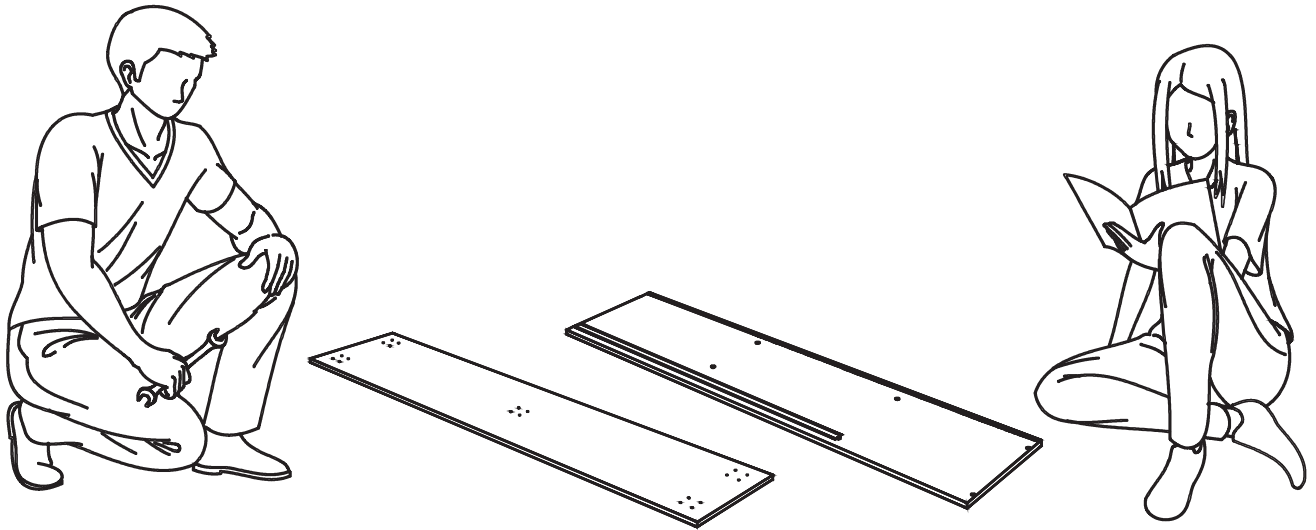
List of Installation Accessories

 <p>1 1PC</p> <p>2 1PC</p> <p>3 1PC</p> <p>4 1PC</p> <p>5 1PC</p>	 <p>6 1PC</p> <p>7 1PC</p> <p>8 1PC</p> <p>9 1PC</p> <p>10 1PC</p>	 <p>11 1PC</p> <p>12 1PC</p> <p>13 1PC</p> <p>14 1PC</p> <p>15 1PC</p>	 <p>16 1PC</p> <p>17 1PC</p> <p>18 2PCS</p> <p>19 1PC</p> <p>20 1PC</p>	 <p>21 1PC</p> <p>22 1PC</p> <p>23 2PCS</p> <p>24 2PCS</p> <p>25 1PC</p>	 <p>26 1PC</p> <p>27 1PC</p> <p>28 1PC</p> <p>29 2PCS</p> <p>30 2PCS</p>	 <p>31 8PCS</p> <p>32 8PCS</p> <p>33 1PC</p>
---	--	--	---	---	--	--

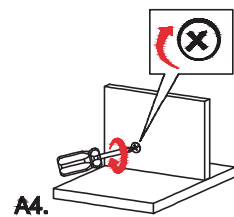
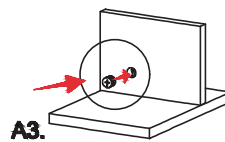
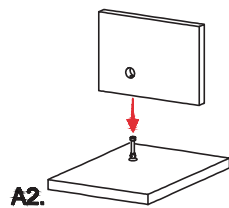
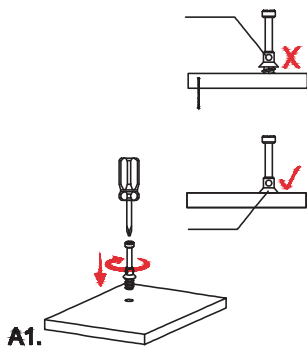
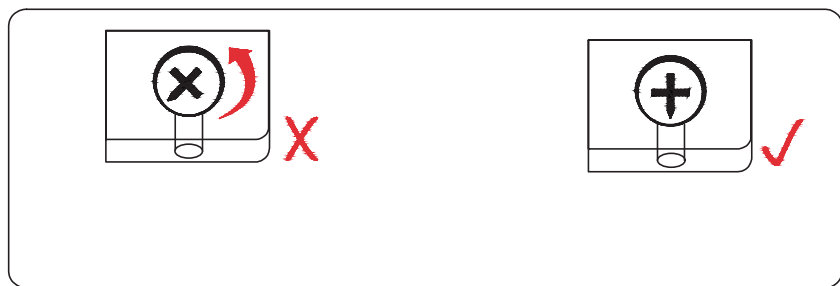
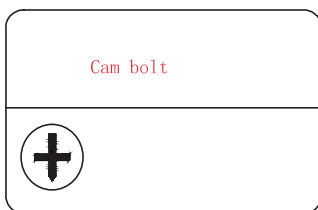
NO.	PICTURE	SIZE	QTY	NO.	PICTURE	SIZE	QTY
A		M6x35	80+1	J			16
B		Φ15	80+1	K		M3x12	38+2
C		Φ6x30	116+4	L			3
D		Φ6x50	4	M			2
E		M4x35	28+1	N		M3x14	6
F			8	O		M4x55	2
G		M3x12	40+2	P			2
H			4	Q			1
I		M4x16	8	R			2

Tips

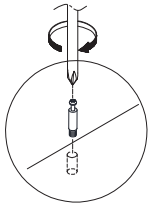
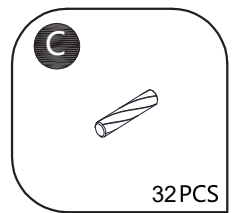
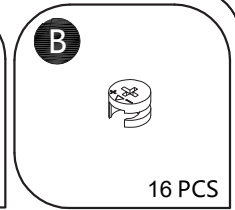
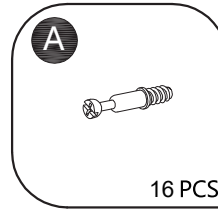
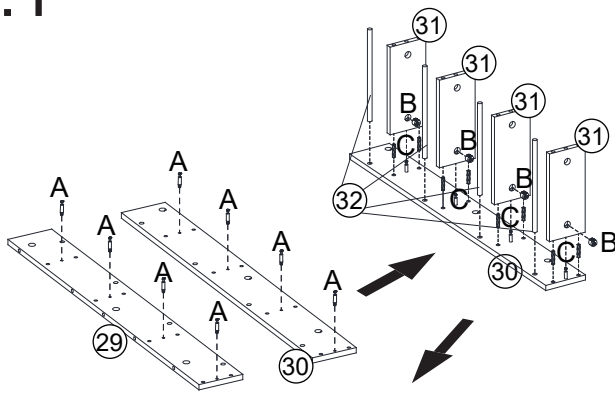
This furniture requires two people to assemble and move.
Make sure no parts missing or damaged before assembly.



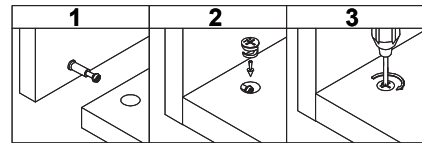
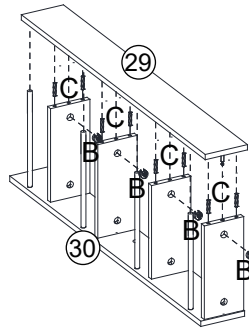
CAM BOLT INSTALLATION AS BELOW



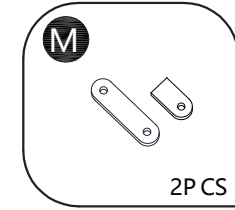
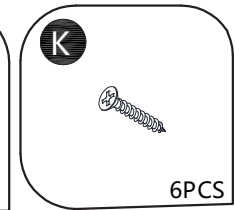
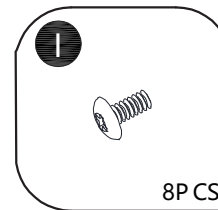
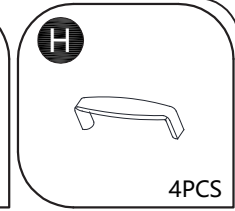
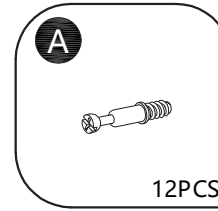
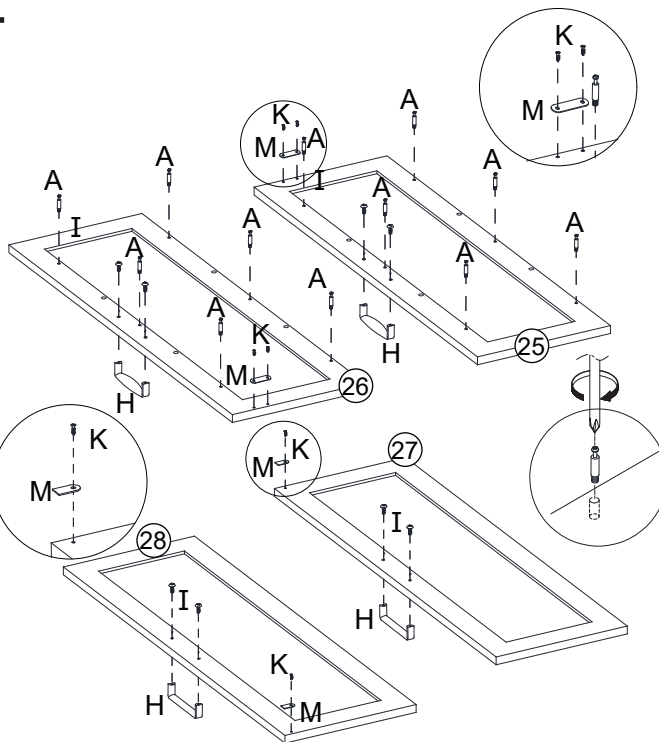
Step:1



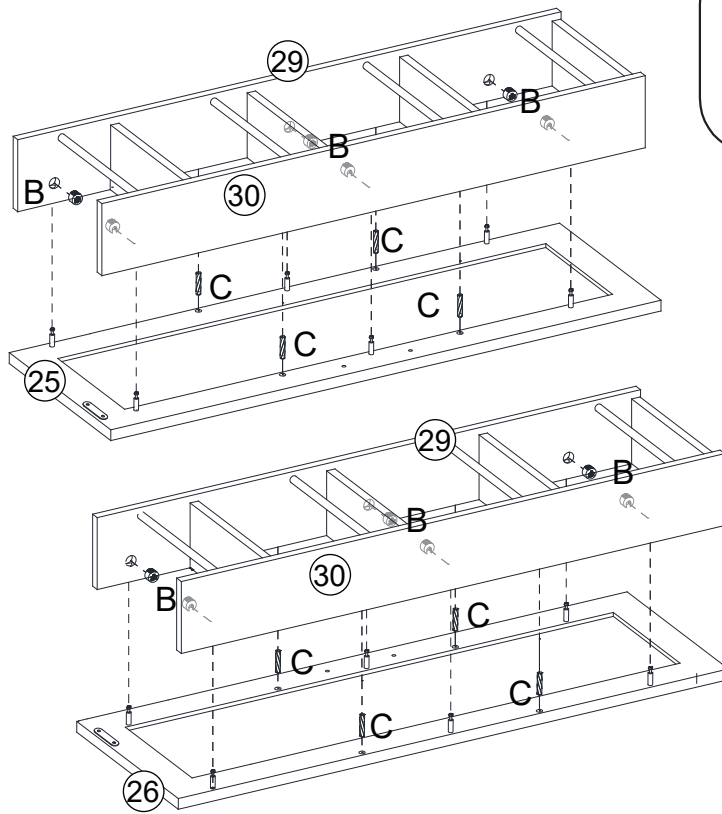
x2




Step:2



Step:3




B



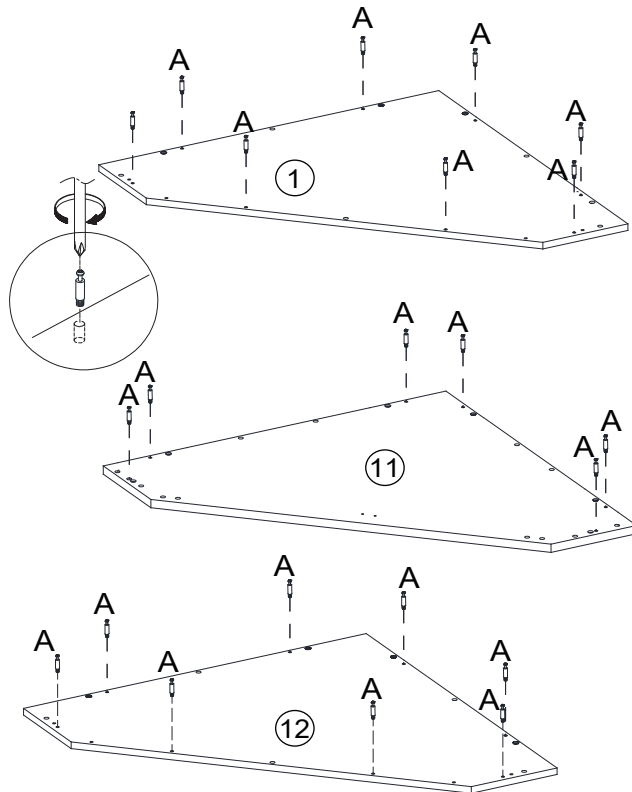
12PCS

C




8PCS

Step:4

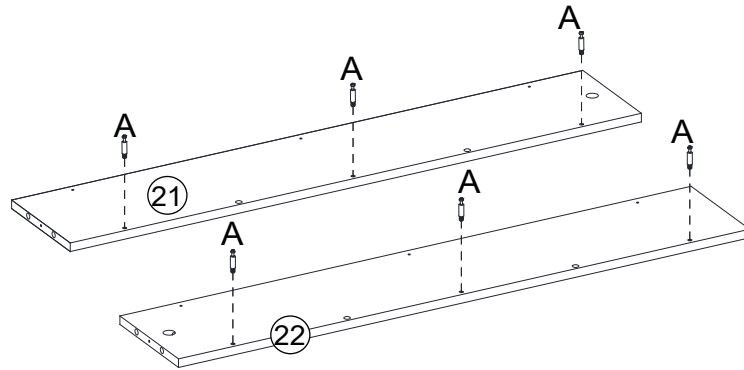
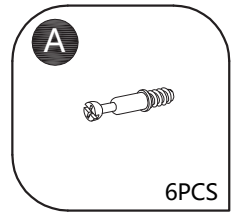
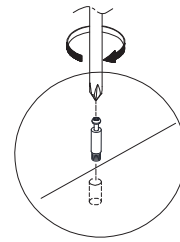


A

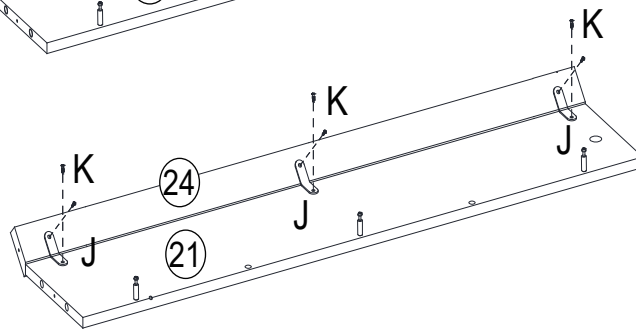
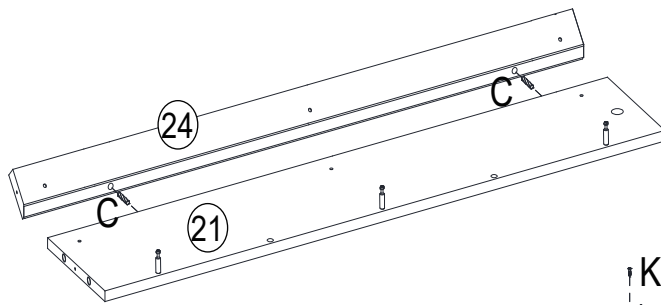
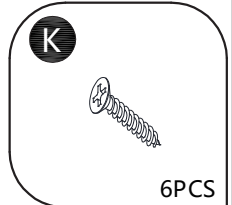
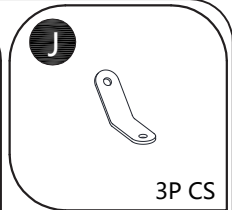
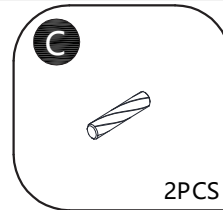


22PCS

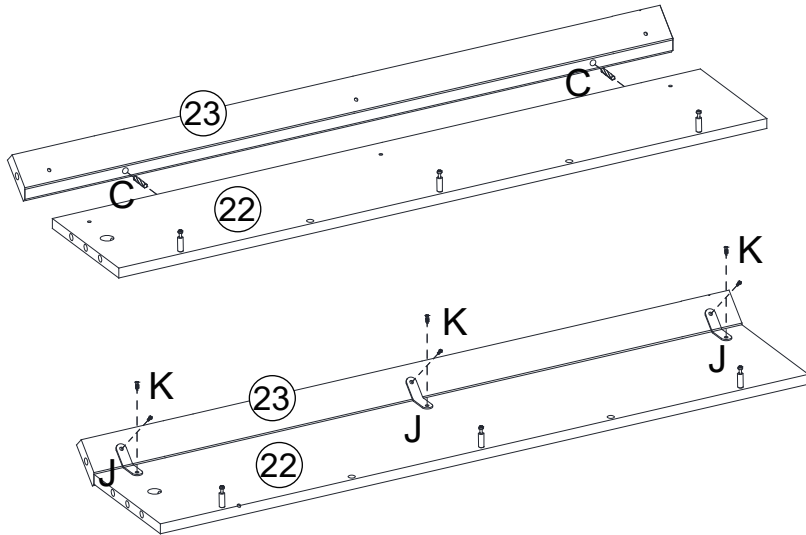
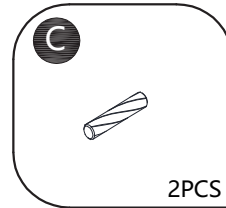
Step:5



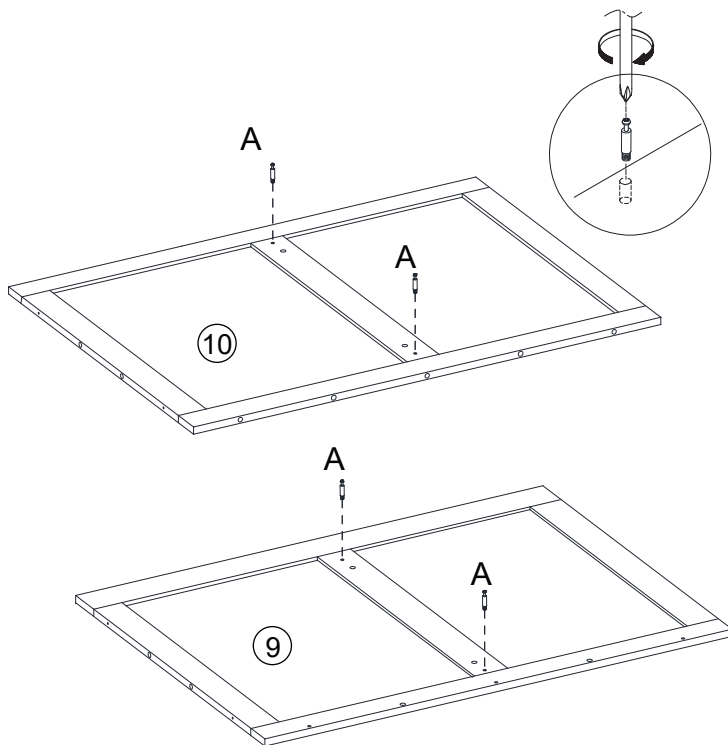
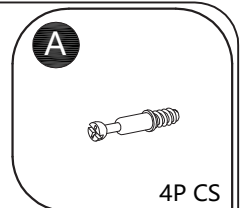
Step:6



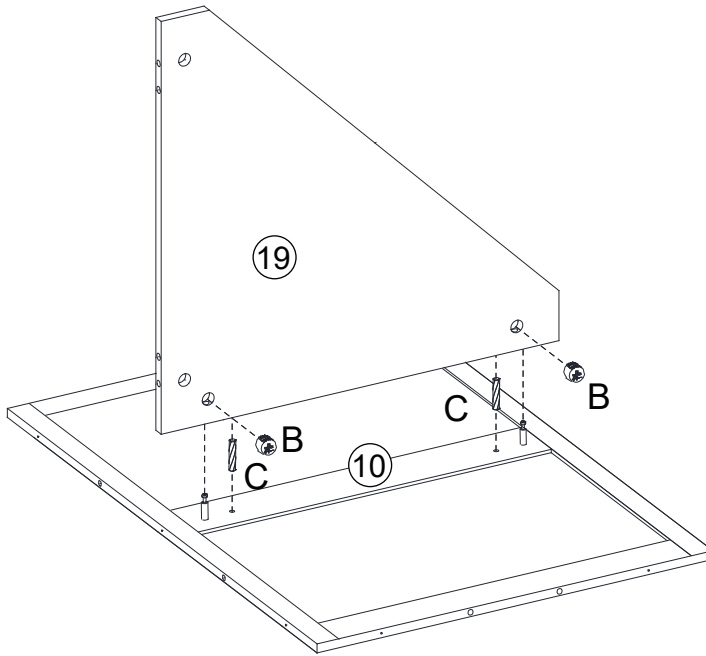
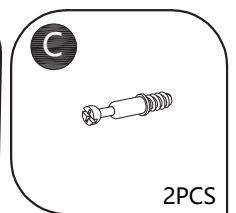
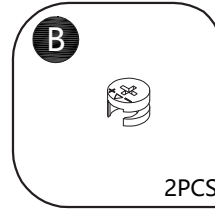
Step:7



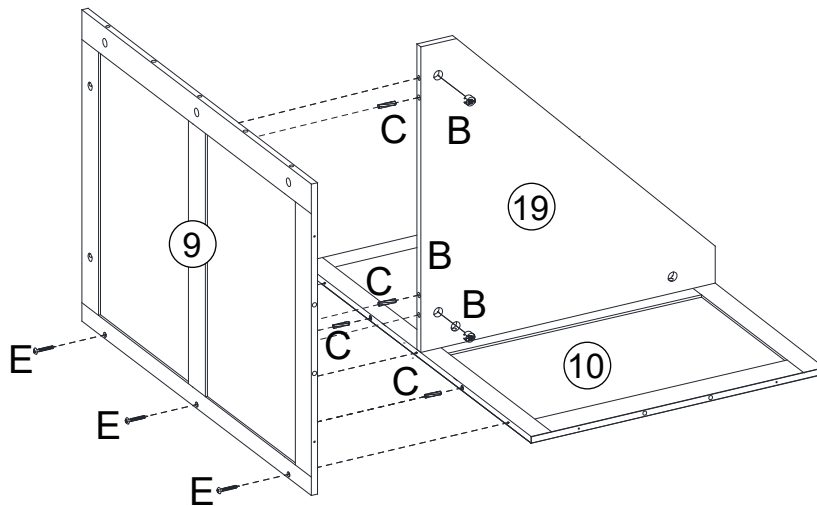
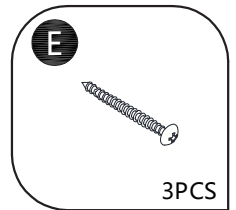
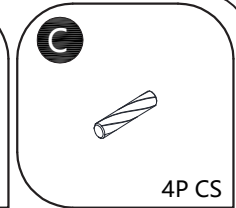
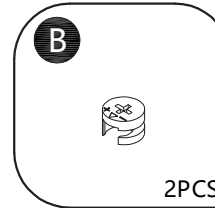
Step:8



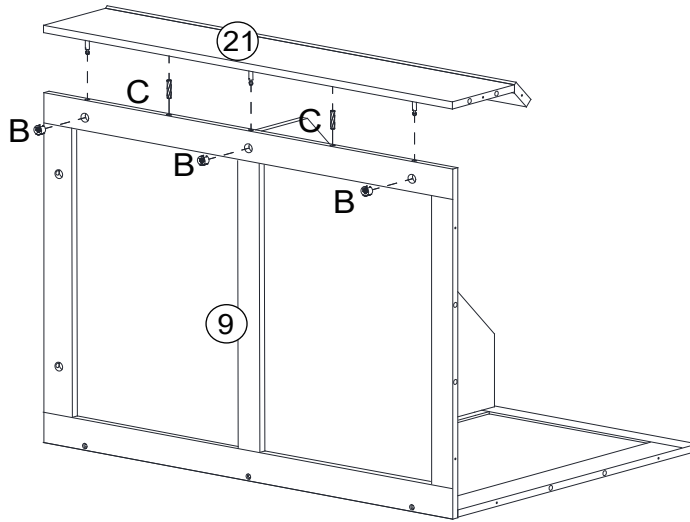
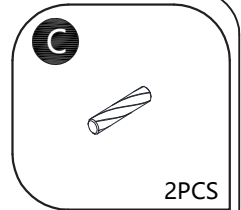
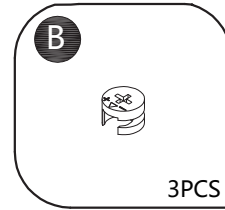
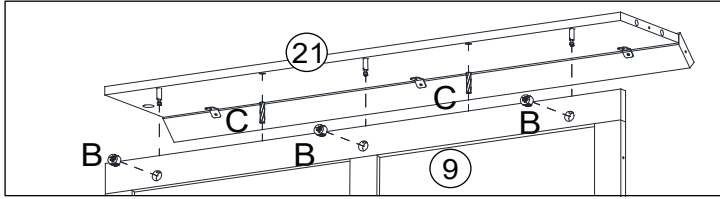
Step:9



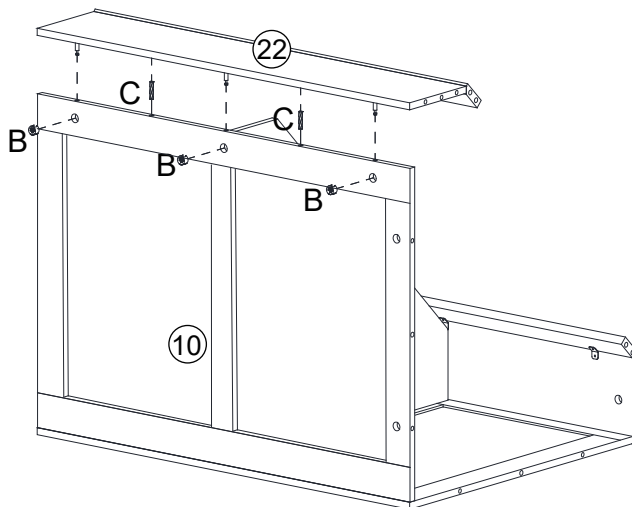
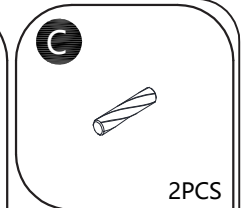
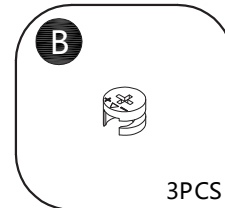
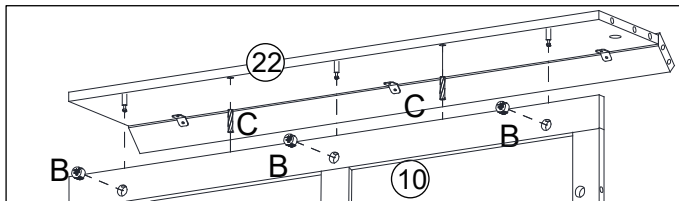
Step:10



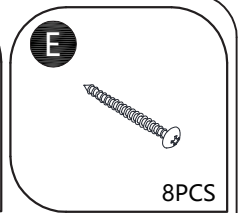
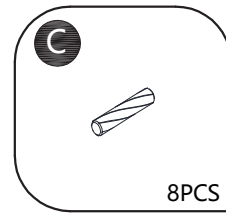
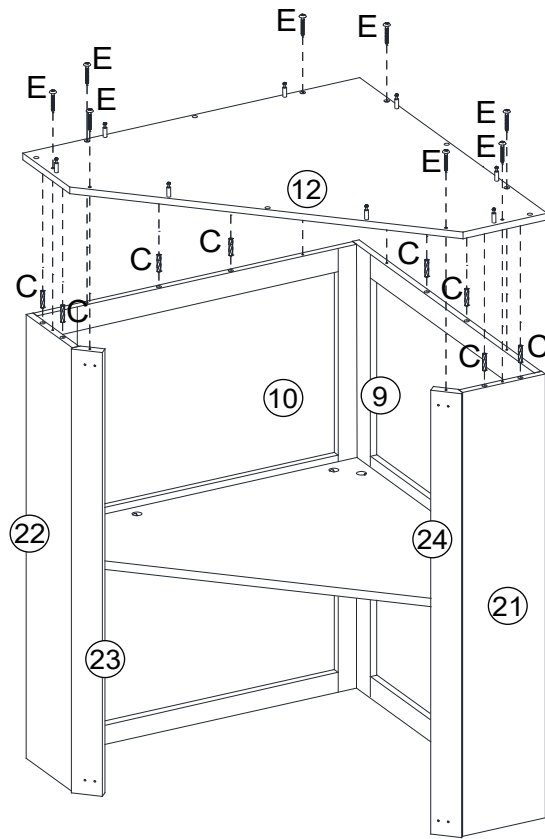
Step:11



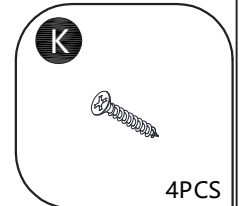
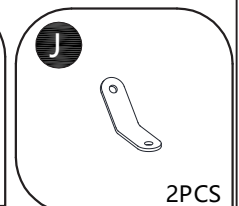
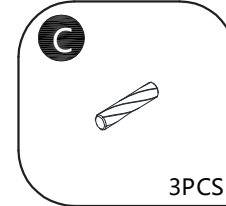
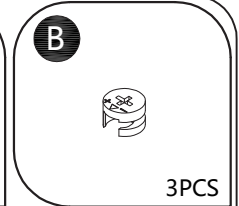
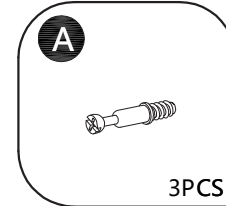
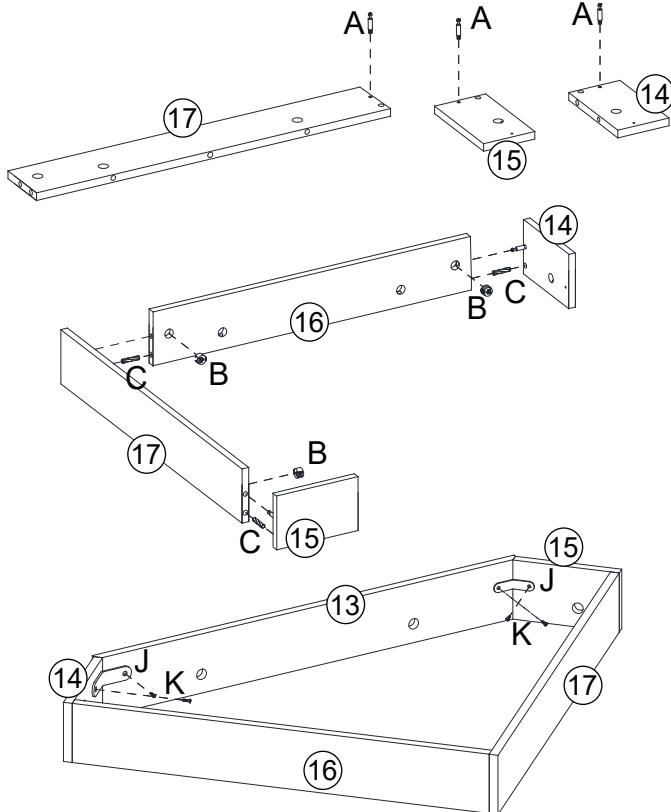
Step:12



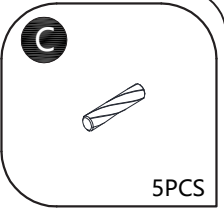
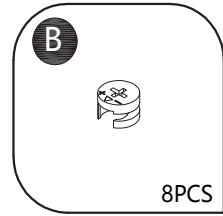
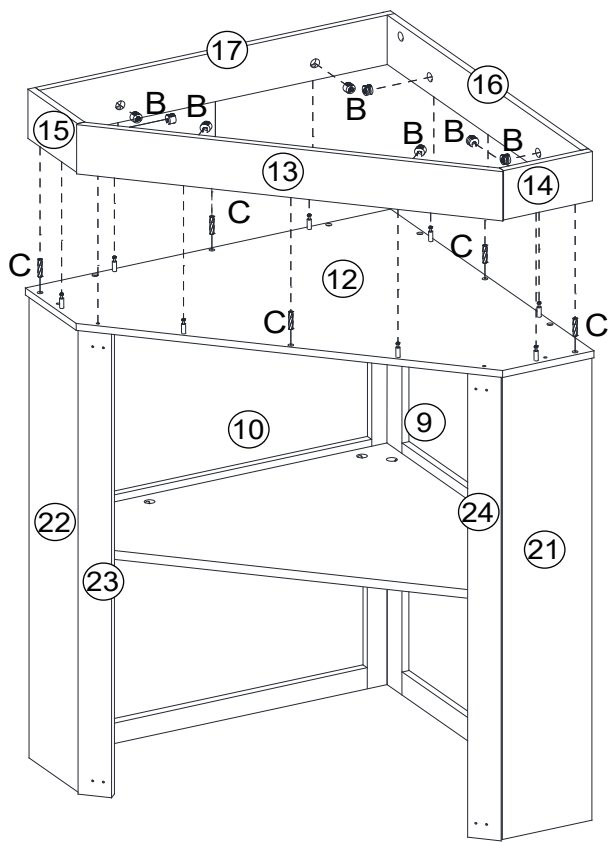
Step:13



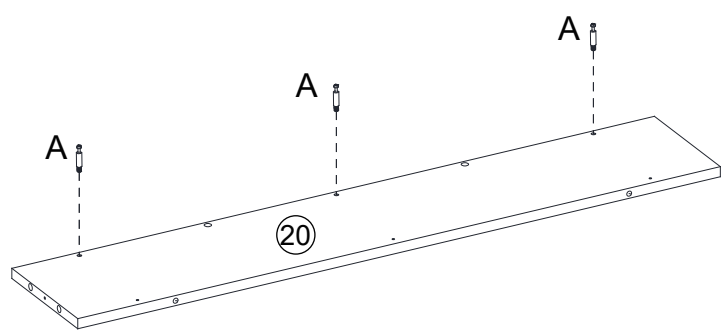
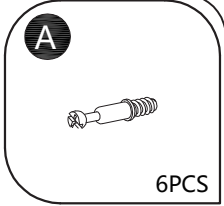
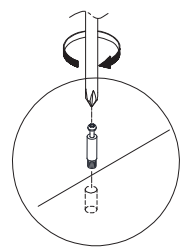
Step:14



Step:15

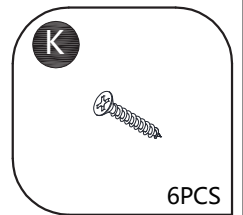
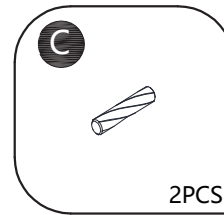
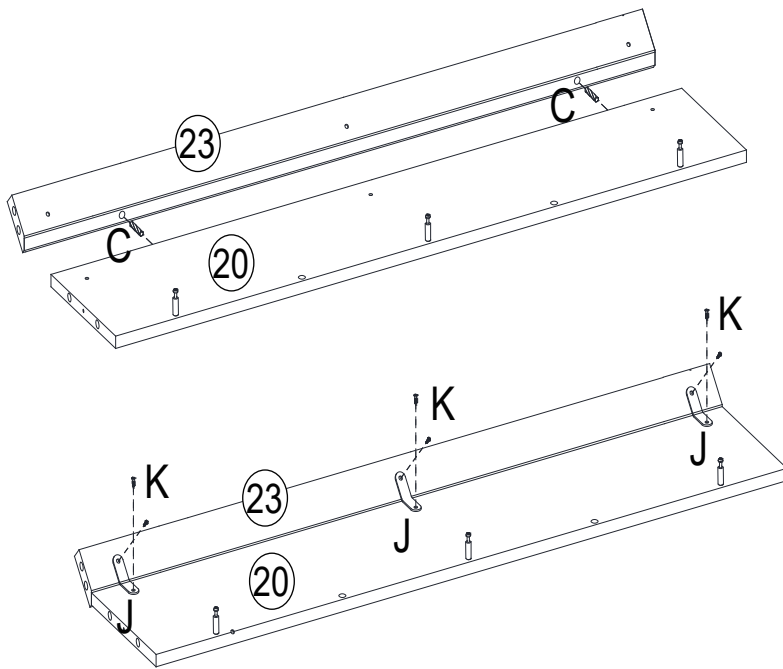


Step:16

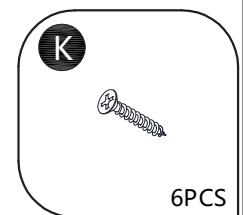
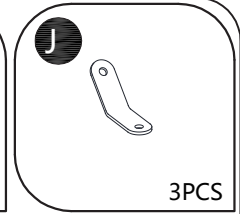
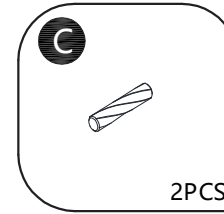
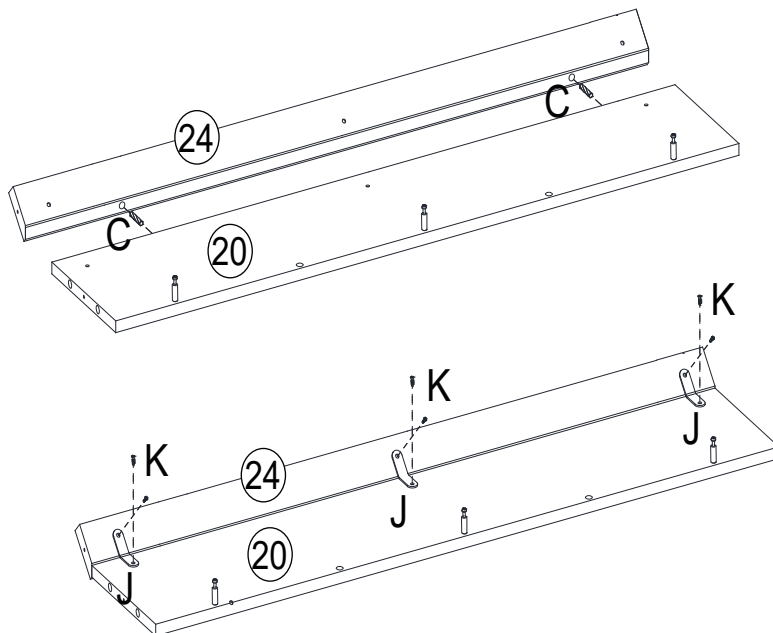


x2

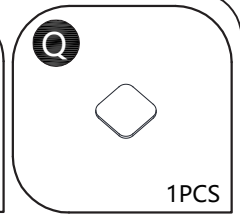
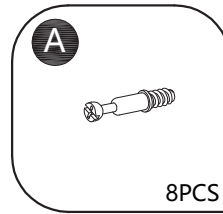
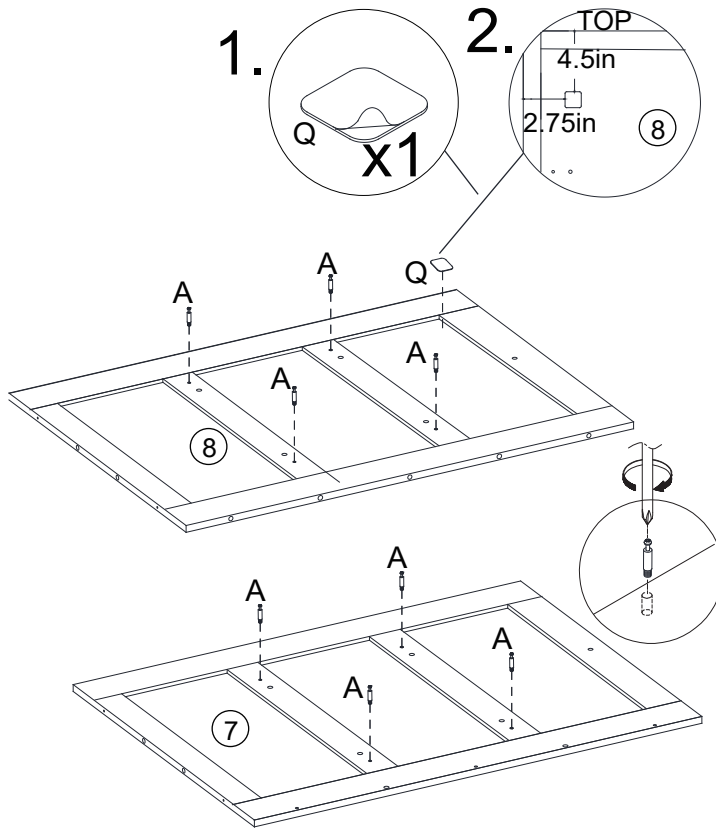
Step:17



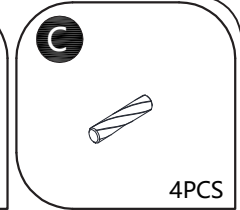
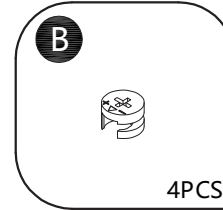
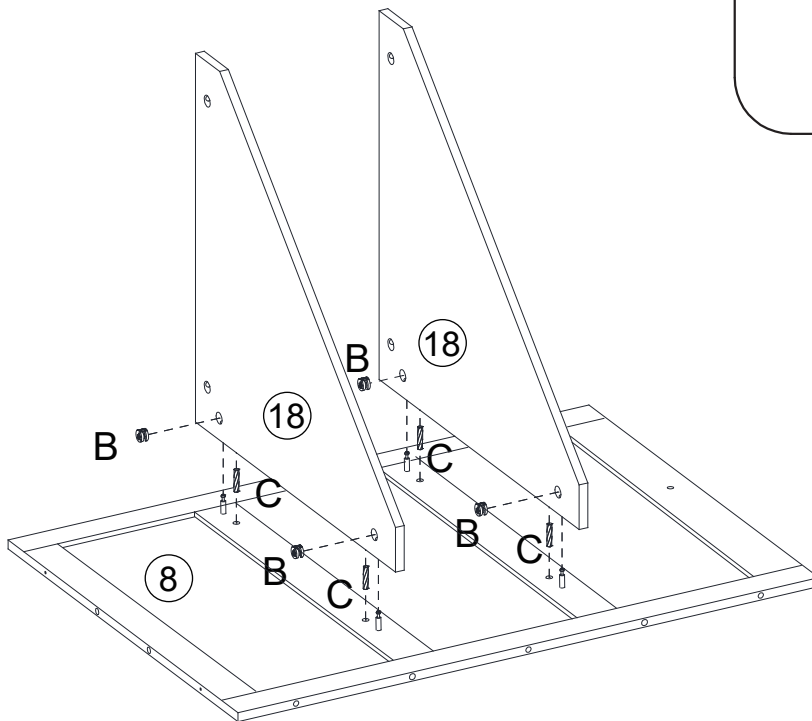
Step:18



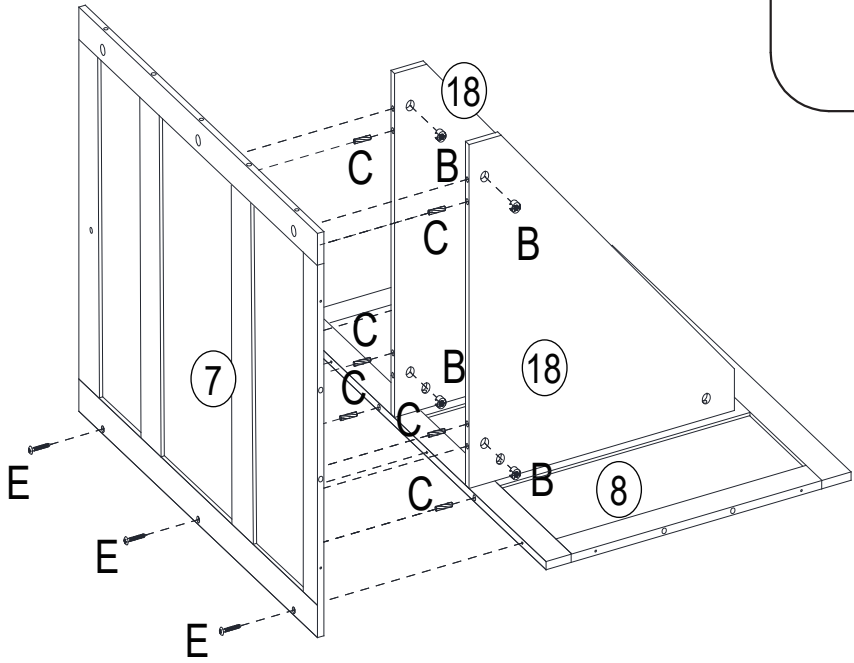
Step:19




Step:20



Step:21



B




4PCS

C



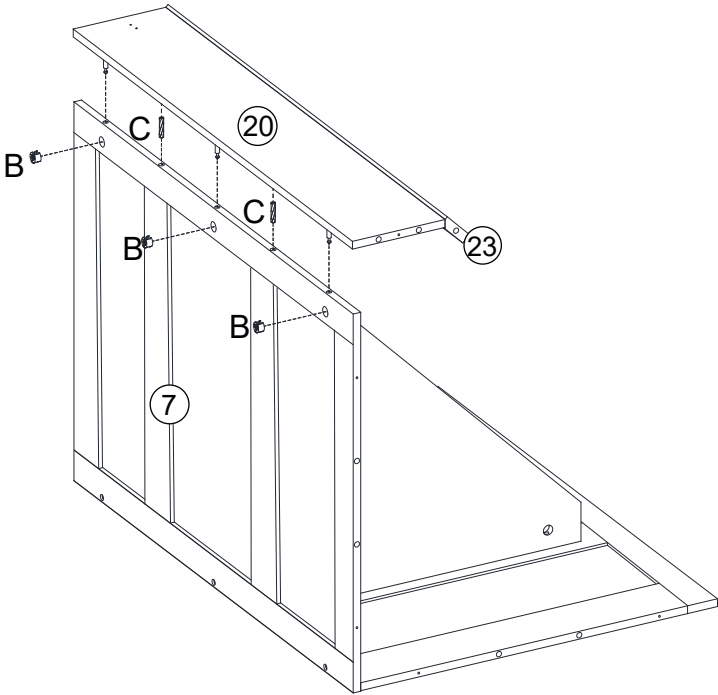
6PCS

E




3PCS

Step:22




B



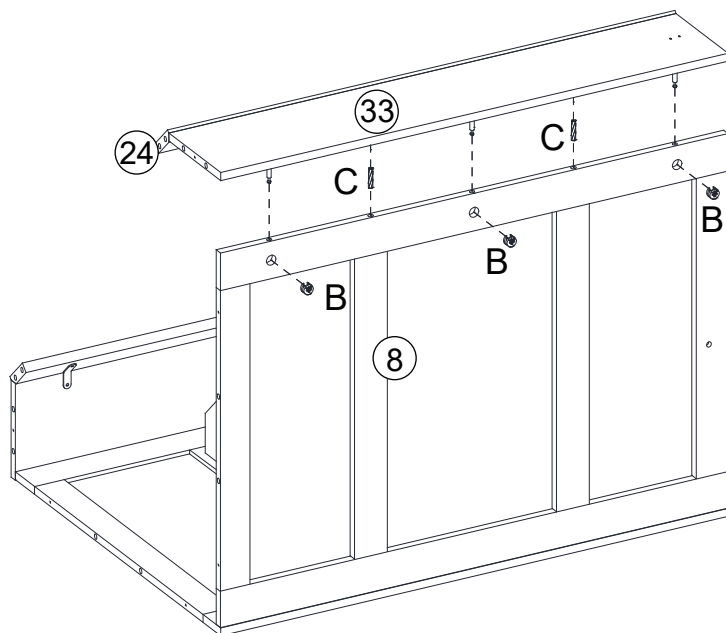
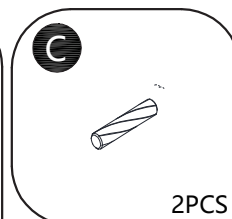
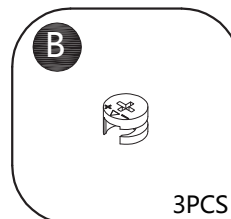
3PCS

C

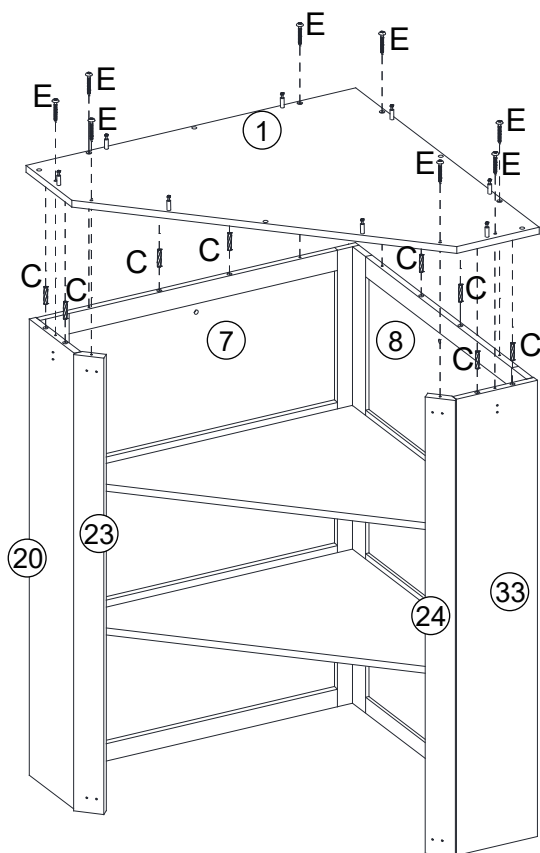
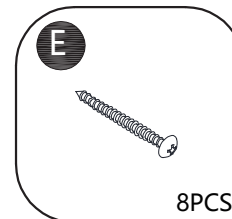
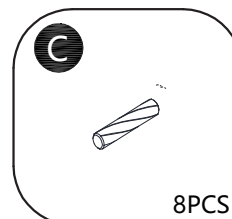


2PCS

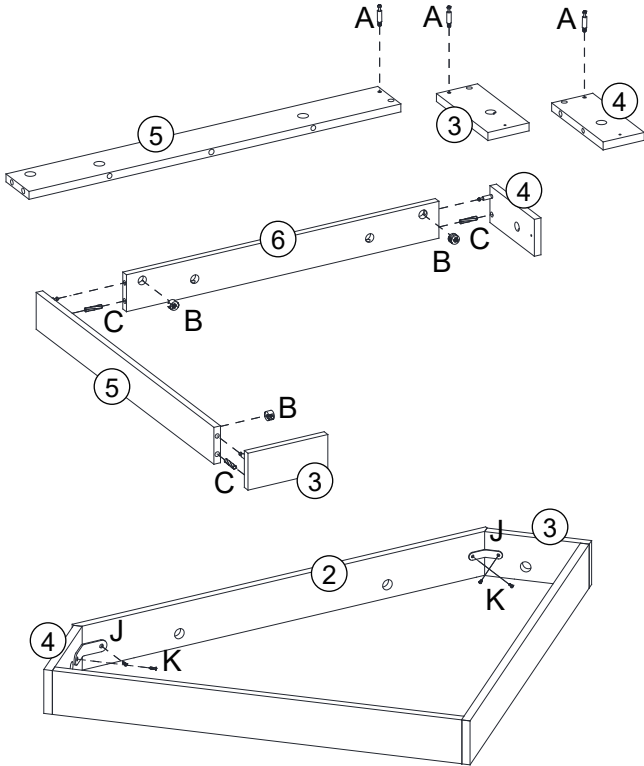
Step:23



Step:24



Step:25



A

3PCS

B

3PCS

C

3PCS

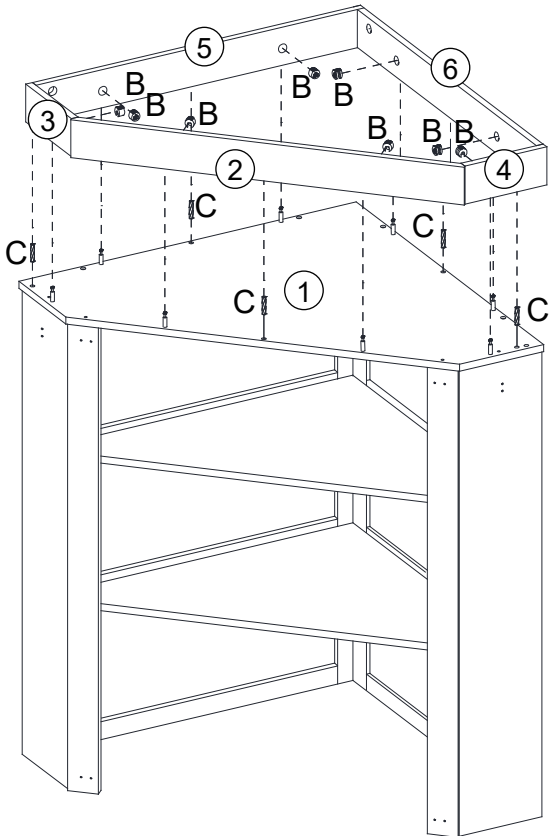
J

2PCS

K

4PCS

Step:26



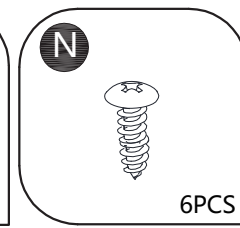
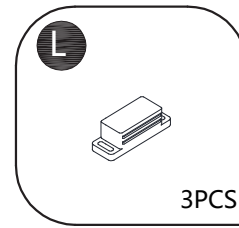
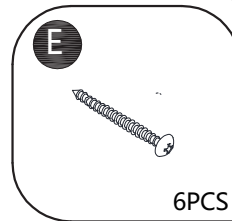
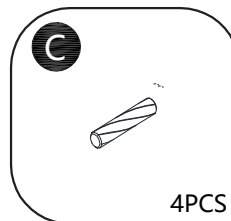
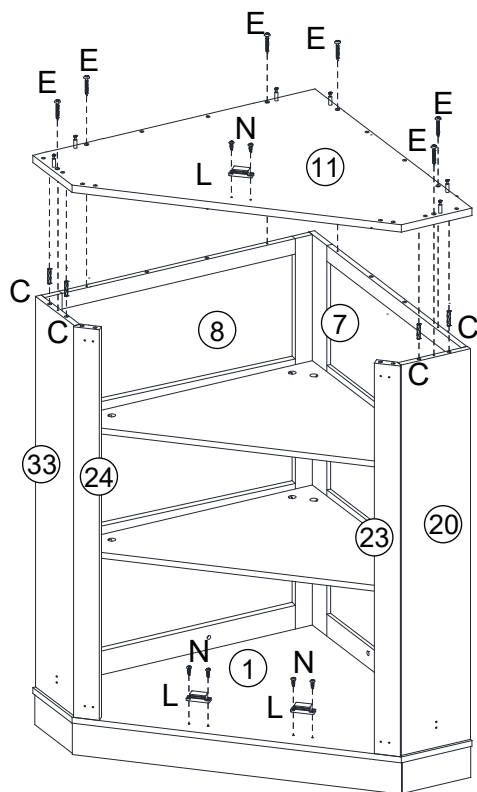
B

3PCS

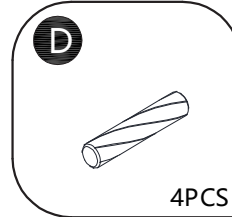
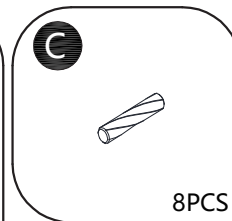
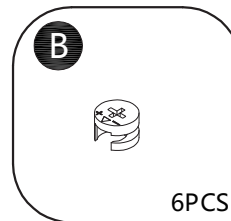
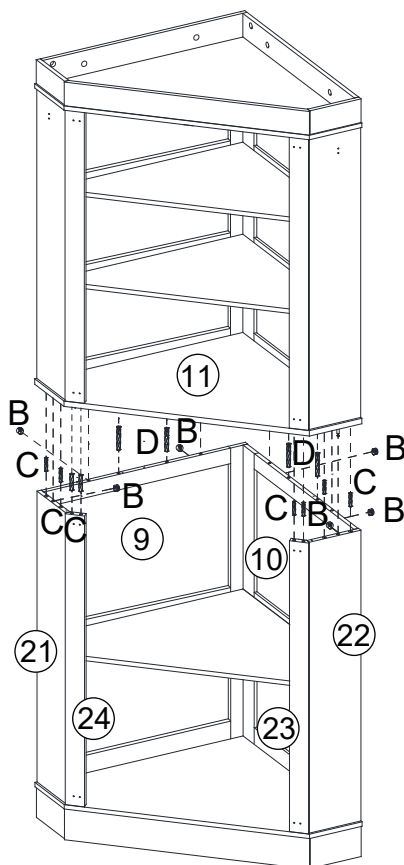
C

2PCS

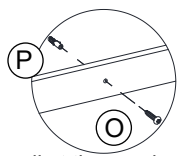
Step:27



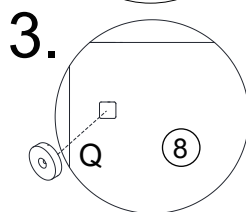
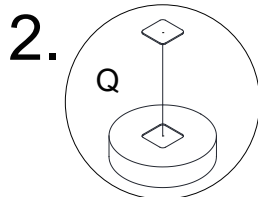
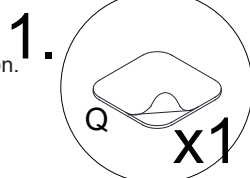
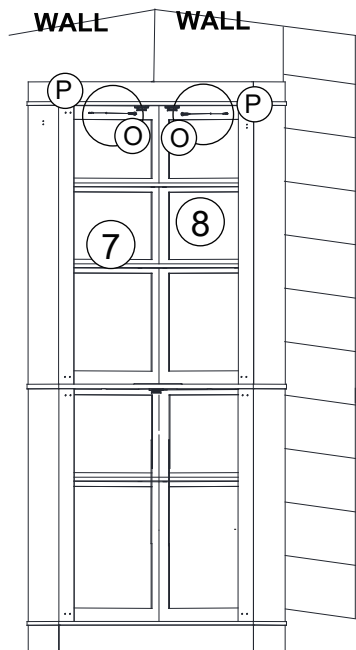
Step:28



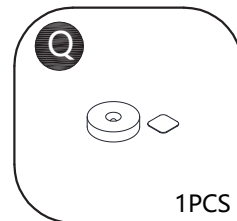
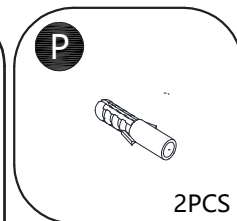
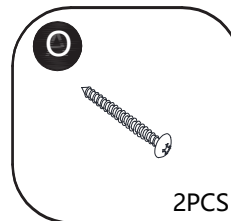
Step:29



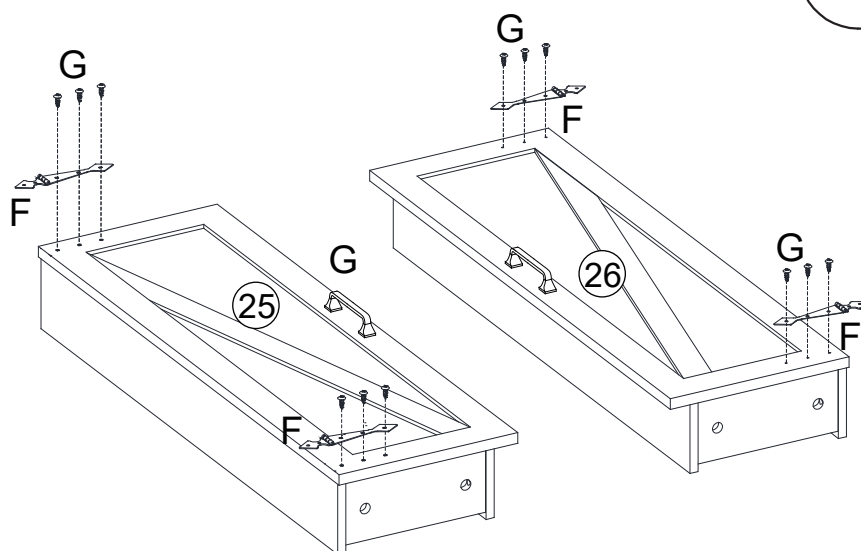
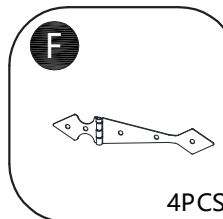
Drill a hole on the wall at the required position for anti-falling device installation.



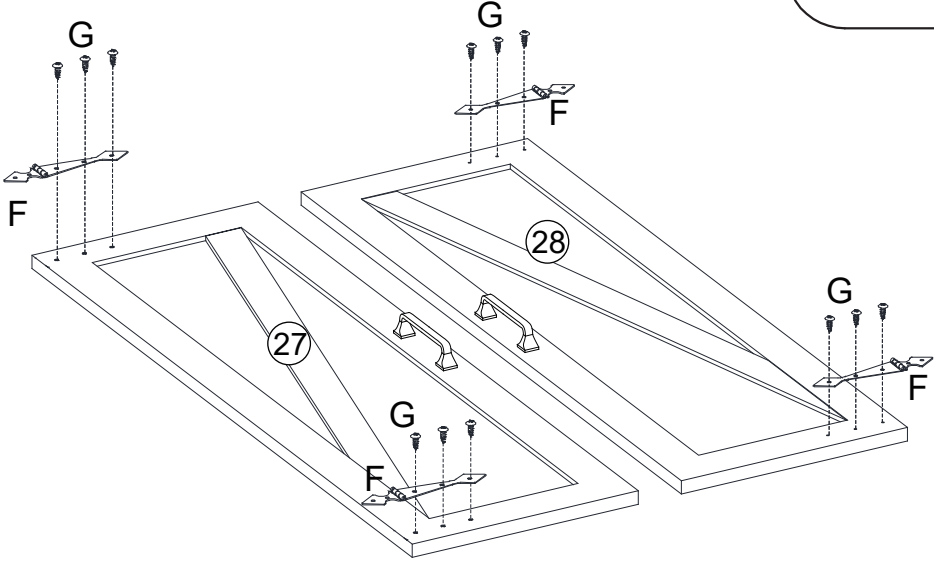
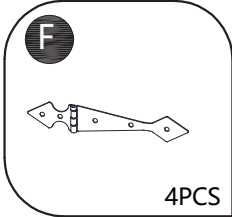
TIP: Charge for half an hour before use



Step:30



Step:31



Step:32

