

A x 1

FI7014

C x 1

CA2861

D x 1

BA1743

H x 2

CS1855

I x 1

CS1857

O x 3

SH2025

Q x 1

SH2616

U x 1

OF0228

W x 2

OF0227

Z x 1

FI7015

H1 x 12



FH0001

H166 x 1



FH0166

H171 x 1



FH0171

H173 x 1



FH0173

T28 x 4



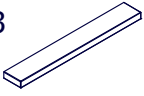
FT0028

T92 x 4



FT0092

M88 x 3



FM0088

H46 x 4

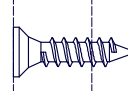


FH0046

H47 x 4



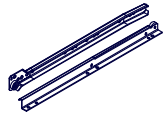
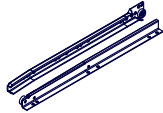
FH0047



V5 x 16

FV0005

A12 x 3



FA0012

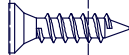
mm

0

10

20

mm 0 10 20 30 40 50



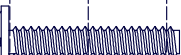
V5 x 16

FV0005



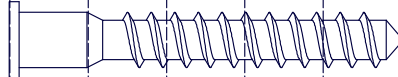
V13 x 12

FV0013



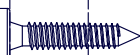
V32 x 6

FV0032



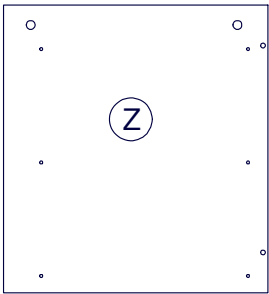
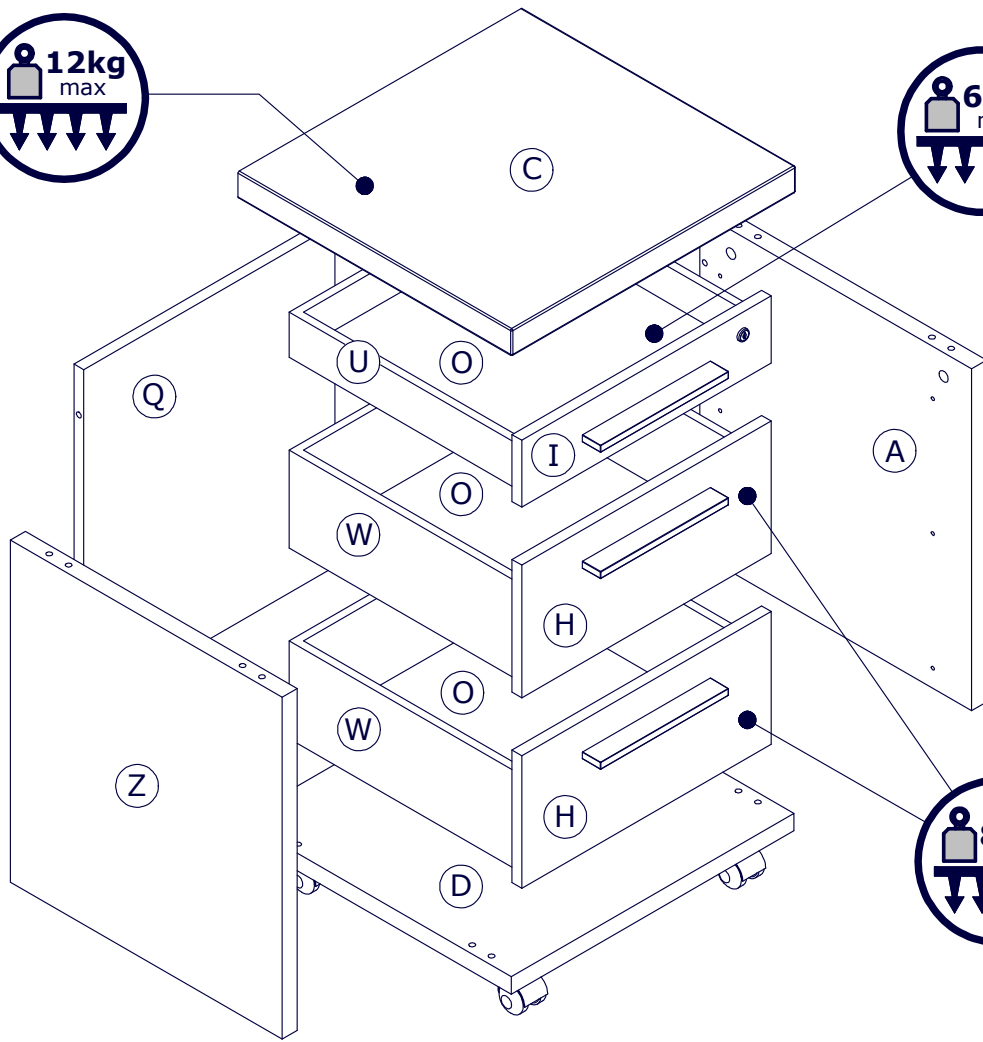
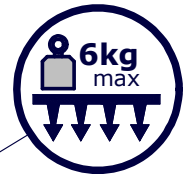
V45 x 4

FV0045

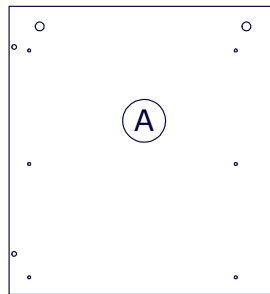


V109 x 2

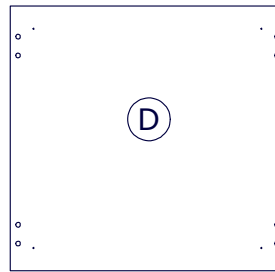
FV0109



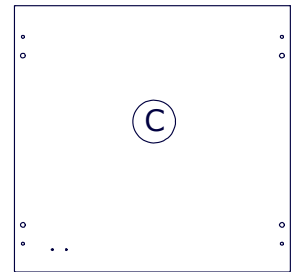
490x450x25mm



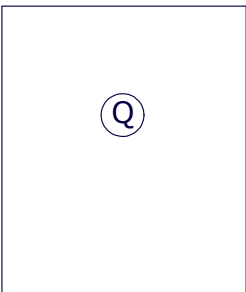
490x450x25mm



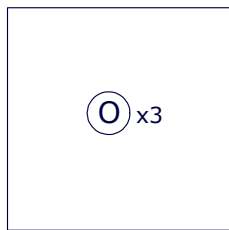
468x450x25mm



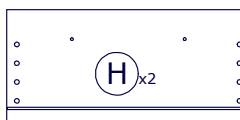
470x453x38mm



490x416x16mm



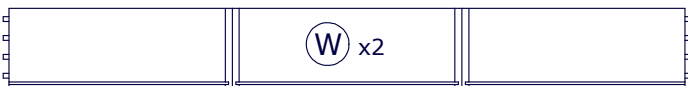
381x378x3mm



413x190x16mm



413x96x16mm



380x391x380mm H.138mm



380x391x380mm H.65mm

1

H166 x 1



1°



H166

W x2

H x2



W x2

O x2

H x2



2°

H166

U

I

U

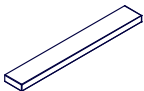
O

I

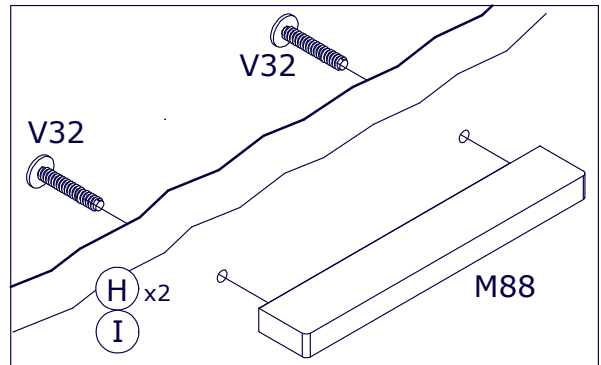
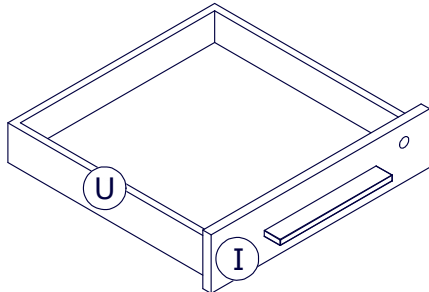
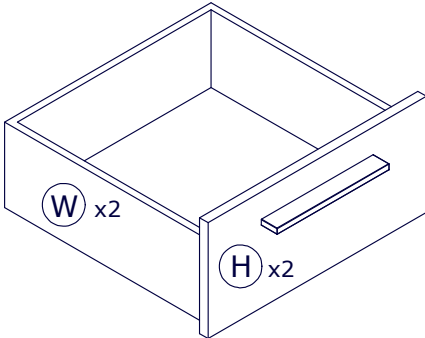
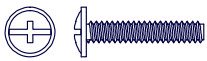


2

M88 x 3

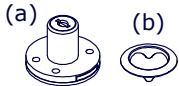


V32 x 6



3

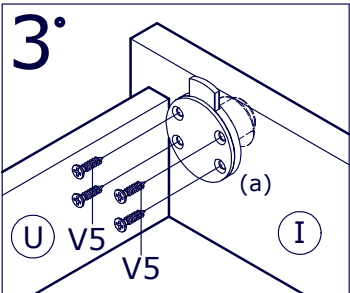
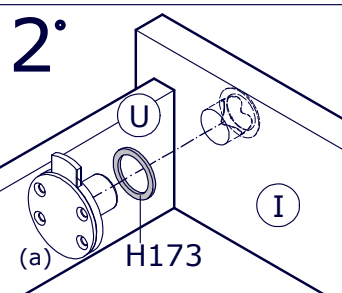
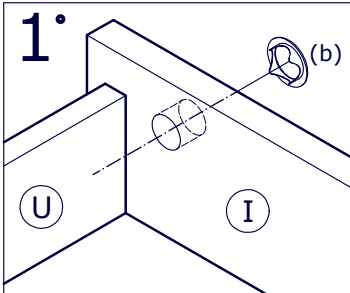
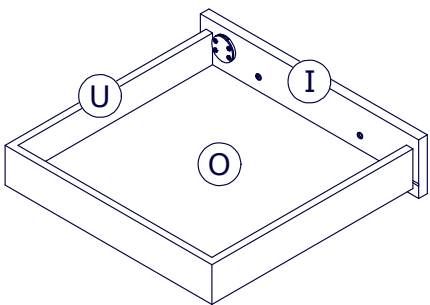
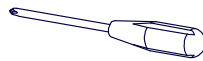
H171



V5 x 4

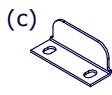


H173 x 1

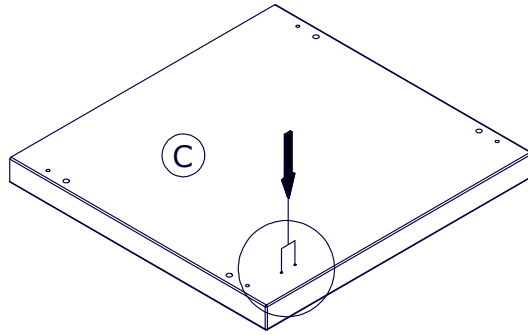
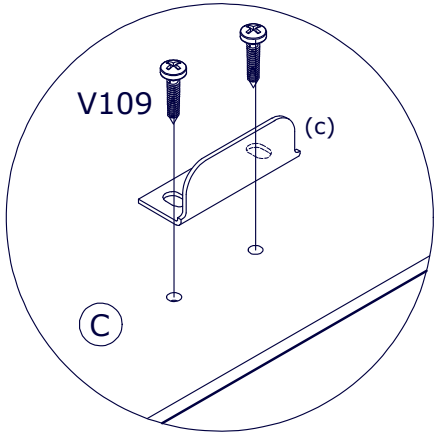
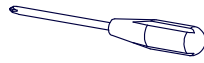
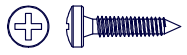


4

H171

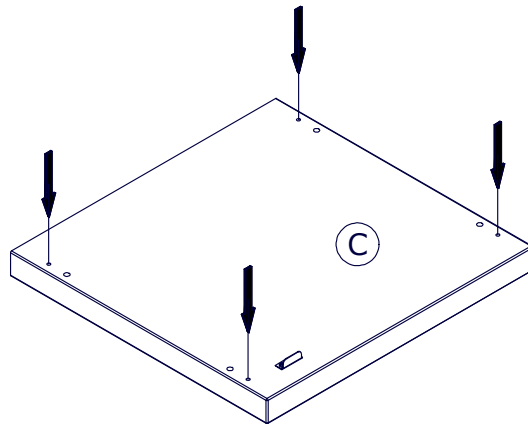
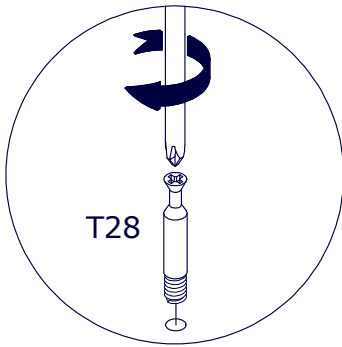
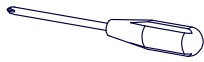
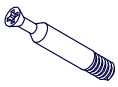


V109 x 2



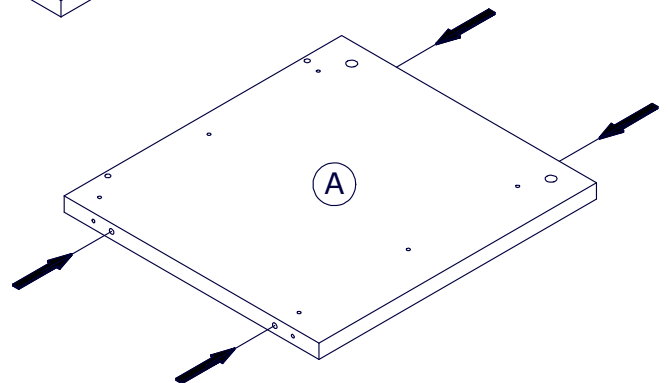
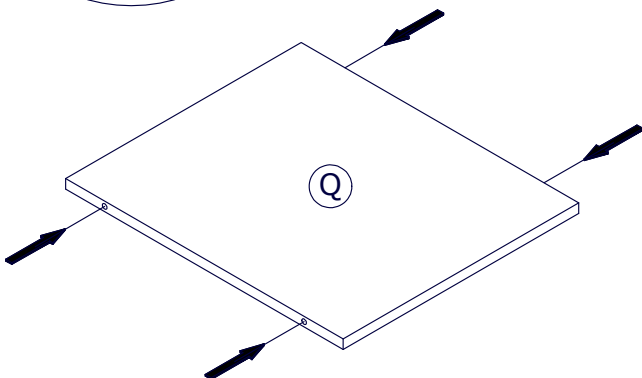
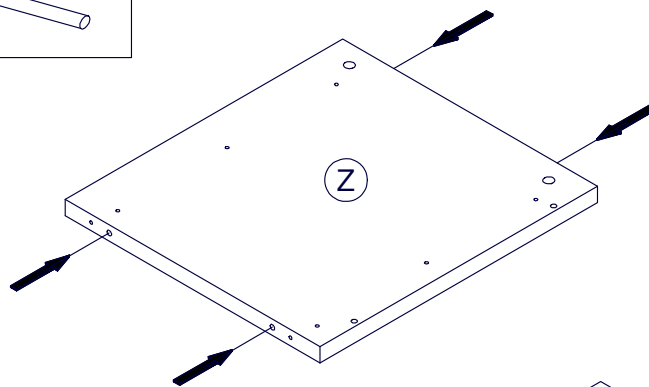
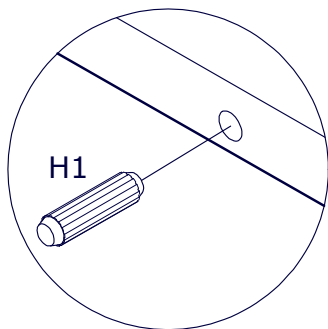
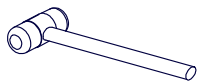
5

T28 x 4



6

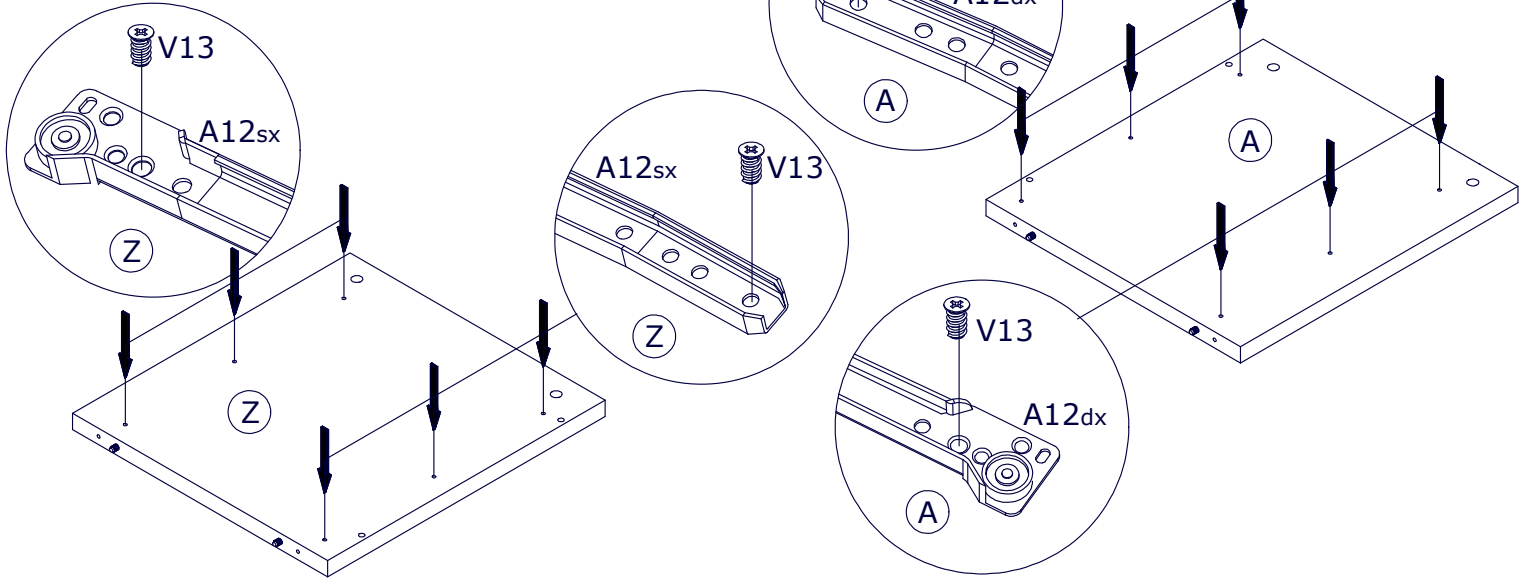
H1 x 12



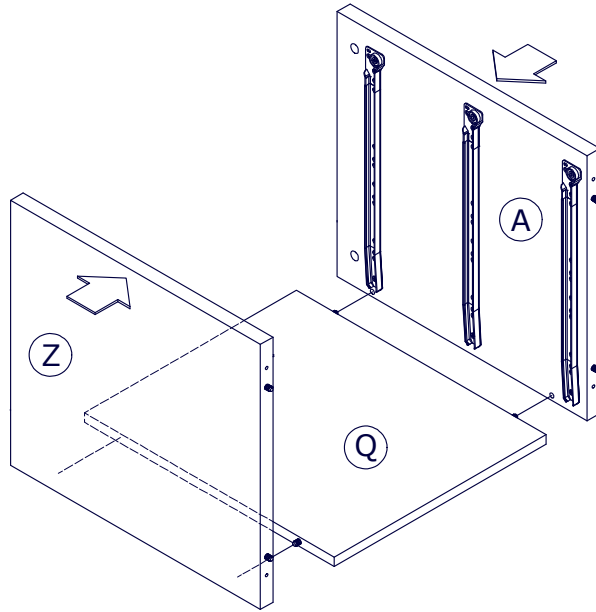
7



V13 x 12

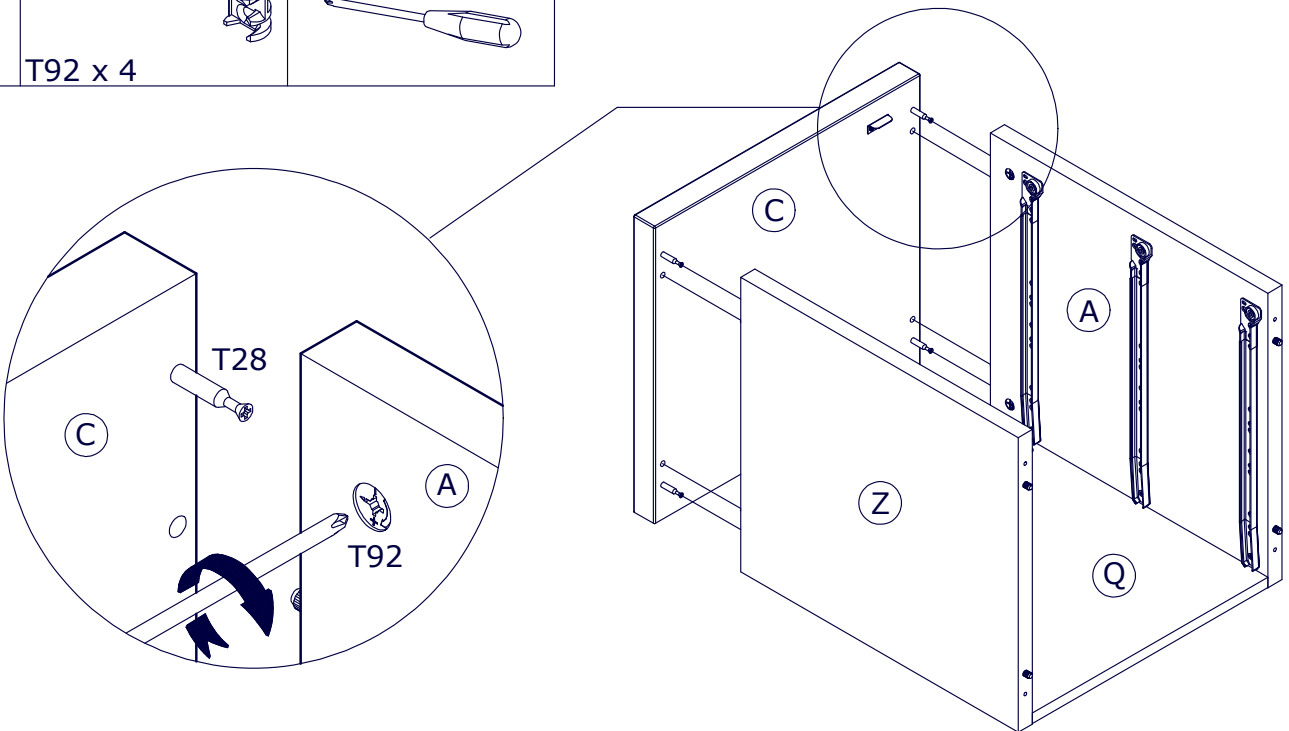


8



9

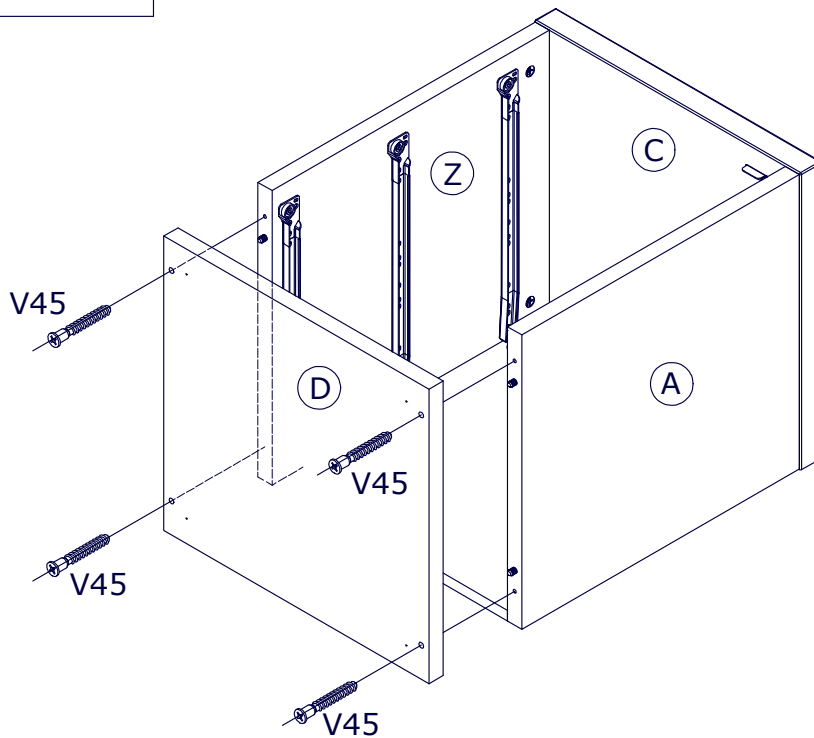
T92 x 4



10



V45 x 4



11



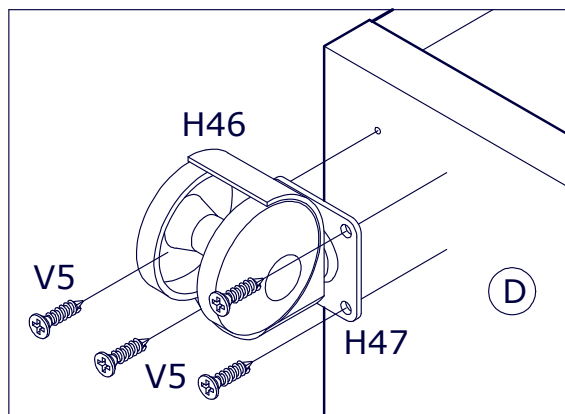
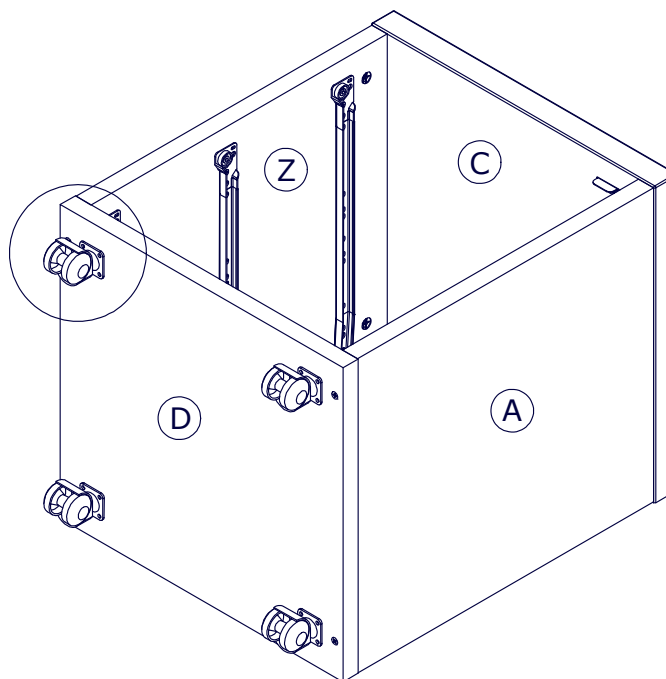
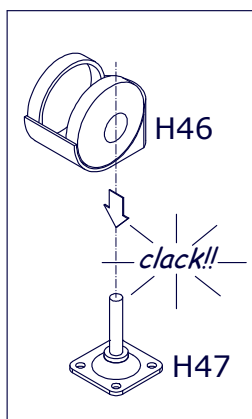
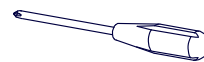
H46 x 4



H47 x 4



V5 x 16



12

V5 x 12

